

SFC 407 TURBO LHD-EURO II (4X2)

(PARTS LIST)

APRIL 2009

PRELIMINARY REMARKS

This list comprises of parts for Engine, Gear Box, Chassis Parts and Sheet Metal Parts of the under mentioned vehicle

CHASSIS TYPE	VC NO	VARIANT DESCRIPTION	VARIANT DETAILS	ENGINE TYPE
357 175	26517031000L	SFC 407 LHD, ST, W/O LB, HD, E-II	SEMI-FORWARD CONTROL CHASSIS ,497 SP TC EURO II ENGINE WITH CAB AND WITHOUT LOADBODY , SINGLE TYRE TYPE REAR AXLE, TRUCK VERSION, HEATING & DEMISTING, 3100 MM W.B., LHD EXPORT	497 SP TC EURO-II
357 174	26517131000L	SFC 407 LHD, ST, LB, E-II	SEMI-FORWARD CONTROL CHASSIS ,497 SP TC EURO II ENGINE WITH CAB AND LOADBODY , SINGLE TYRE TYPE REAR AXLE, TRUCK VERSION, 3100 MM W.B., LHD EXPORT	497 SP TC EURO-II
357173	26524431000L	SFC 407 LHD, COWL, W/O HD, PS, E-II	SEMI-FORWARD CONTROL CHASSIS ,497 SP TC EURO II ENGINE WITH COWL, SINGLE TYRE TYPE REAR AXLE, TRUCK VERSION, POWER STEERING, W/O HEATING & DEMISTING, 3100 MM W.B., LHD EXPORT	497 SP TC EURO-II
357171	26524531100L	SFC 407 LHD, CABIN, W/O HD, PS, LB, E-II	SEMI-FORWARD CONTROL CHASSIS ,497 SP TC EURO II ENGINE WITH CABIN & DROPSIDE LOADBODY , SINGLE TYRE TYPE REAR AXLE, TRUCK VERSION, POWER STEERING, W/O HEATING & DEMISTING, 3100 MM W.B., LHD EXPORT	497 SP TC EURO-II
357172	26524731000L	SFC 407 LHD CABIN W/O HD PS W/O LB E-II	SEMI-FORWARD CONTROL CHASSIS ,497 SP TC EURO II ENGINE WITH CABIN & WITHOUT LOADBODY , SINGLE TYRE TYPE REAR AXLE, TRUCK VERSION, POWER STEERING, W/O HEATING & DEMISTING, 3100 MM W.B., LHD EXPORT	497 SP TC EURO-II

INSTRUCTIONS

Refer Variant Table Matrix for correct applicability

The designation "Left and Right" as well as "Front" and "Rear" refer to the driving direction

The indication "First", "Second" (e.g. Cross member of frame) are counter from the radiator side

The word "Optional" in the remarks column against an item having two or more part numbers indicates that depending on availability, the item will be supplied under any one of these part numbers

The designation "AR" in column "Quantity" stands for "As Required"

The illustrations of parts of the table are only for easy reference and they may not be exact replica of the part.

The parts fitted on the vehicle are subject to modification without prior notice.

This is a publication of the Parts Head Quarters of the TATA MOTORS LIMITED.

Any Correspondence relating to this Parts List be made to:

**Technical Cell
Tata Motors Ltd.,
Parts Head Quarters,
Teen Hath Naka,
Gyan Sadhana College Service Road,
Thane-400 604.**

INTRODUCTION

WHEN ORDERING PARTS, PLEASE INDICATE

Chassis Type and Chassis Number

Engine Type and Engine Number

Part No. - See Column "PART NUMBER"

Precise Description - See Column "DESCRIPTION"

WHEN ORDERING PARTS FOR AGGREGATES, PLEASE INDICATE THE AGGREGATE NUMBER

Gear Box Unit No. -

Rear Axle Unit No. -

Steering Unit No. -

VARIANT – TABLE MATRIX

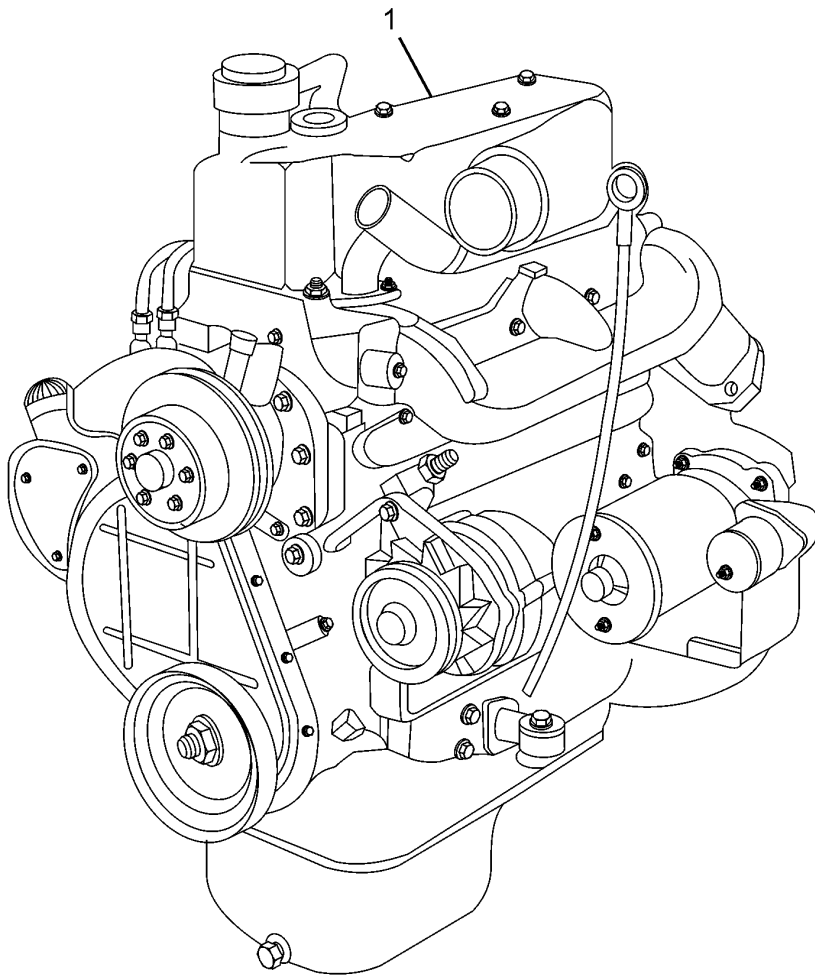
VARIANT - TABLE MATRIX - SFC 407 LHD E-II						
CHASSIS TYPE	357173	357171	357172	357174	357175	
VC NUMBER	26524431000L	26524531100L	26524731000L	26517131000L	26517031000L	
DESCRIPTION	SFC 407 LHD, COWL, W/O HD, PS, E-II	SFC 407 LHD, CABIN, W/O HD, PS, LB, E-II	SFC 407 LHD CABIN W/O HD PS W/O LB E-II	SFC 407 LHD, ST, LB, E-II	SFC 407 LHD, ST, W/O LB, HD, E-II	
TABLE NUMBER	TABLE DESCRIPTION					
00	ENGINE					
00.01.01A	ENGINE				Y Y	
00.01.01B	ENGINE	Y	Y	Y		
00.01.02	HALF BLOCK AND LONG BLOCK	Y	Y	Y	Y Y	
00.01.03	ENGINE OVERHAUL GASKET KIT	Y	Y	Y	Y Y	
00.01.04	CYLINDER BLOCK	Y	Y	Y	Y Y	
00.01.05	CYLINDER HEAD AND COVER	Y	Y	Y	Y Y	
00.03.01	MOVING PARTS	Y	Y	Y	Y Y	
00.05.01	ENGINE TIMING	Y	Y	Y	Y Y	
00.07.01	FUEL INJECTION EQUIPMENT	Y	Y	Y	Y Y	
00.07.02	INJECTOR	Y	Y	Y	Y Y	
00.09.01	FUEL FILTER MOUNTING	Y	Y	Y	Y Y	
00.09.02	FUEL FILTER (MICO)	Y	Y	Y	Y Y	
00.09.03	AIR FILTER	Y	Y	Y	Y Y	
00.13.01	AIR SUCTION UNIT	Y	Y	Y	Y Y	
00.14.01	EXHAUST MANIFOLD AND TURBOCHARGER	Y	Y	Y	Y Y	
00.15.01	STARTER AND ALTERNATOR	Y	Y	Y	Y Y	
00.18.01	OIL PUMP	Y	Y	Y	Y Y	
00.18.02	ENGINE LUBRICATION (OIL COOLER)	Y	Y	Y	Y Y	
00.20.01	WATER PUMP				Y Y	
00.20.02	WATER PUMP	Y	Y	Y		
00.23.01	POWER STEERING PUMP MOUNTING	Y	Y	Y		
00.24.01	ENGINE SUSPENSION	Y	Y	Y	Y Y	
00.25.01	CLUTCH HOUSING	Y	Y	Y	Y Y	
26	GEARBOX					
26.26.01	GEAR BOX (HOUSING)	Y	Y	Y	Y Y	
26.26.02	GEAR BOX (TOP COVER)	Y	Y	Y	Y Y	
26.26.03	GEAR SHAFTS AND GEARS	Y	Y	Y	Y Y	
29	CLUTCH					
29.29.01	CLUTCH BRAKE PEDALS	Y	Y	Y	Y Y	
29.29.02	REPAIR KITS FOR CMC AND CSC	Y	Y	Y	Y Y	
30	ACCELERATOR					
30.30.01	ACCELERATOR CONTROL	Y	Y	Y	Y Y	
31	FRAME					
31.31.01	FRAME		Y		Y	
31.31.02	FRAME	Y		Y	Y	

VARIANT - TABLE MATRIX - SFC 407 LHD E-II						
CHASSIS TYPE	357173	357171	357172	357174	357175	
VC NUMBER	26524431000L	26524531100L	26524731000L	26517131000L	26517031000L	
DESCRIPTION	SFC 407 LHD, COWL, W/O HD, PS, E-II	SFC 407 LHD, CABIN, W/O HD, PS, LB, E-II	SFC 407 LHD CABIN W/O HD PS W/O LB E-II	SFC 407 LHD, ST, LB, E-II	SFC 407 LHD, ST, W/O LB, HD, E-II	
TABLE NUMBER	TABLE DESCRIPTION					
32	SUSPENSION					
32.32.01	FRONT SPRING AND SUSPENSION	Y	Y	Y	Y	Y
32.32.02	REAR SPRING AND SUSPENSION	Y	Y	Y	Y	Y
32.32.03	FRONT SHOCK ABSORBER	Y	Y	Y	Y	Y
32.32.04	REAR SHOCK ABSORBER	Y	Y	Y	Y	Y
32.32.05	FRONT ANTI-ROLL BAR	Y	Y	Y	Y	Y
33	FRONT AXLE					
33.33.01	FRONT AXLE	Y	Y	Y	Y	Y
35	REAR AXLE					
35.35.01	REAR AXLE (SINGLE TYRE)	Y	Y	Y	Y	Y
35.35.02	REAR AXLE (SINGLE TYRE - CHINA BEAM)	Y	Y	Y	Y	Y
40	WHEELS					
40.40.01	WHEEL AND SPARE WHEEL CARRIER	Y	Y	Y	Y	Y
41	PROPELLER SHAFT					
41.41.01	PROPELLER SHAFT	Y	Y	Y	Y	Y
41.41.02	PROPELLER SHAFT (MSL MAKE)	Y	Y	Y	Y	Y
42	BRAKES					
42.42.01	FRONT WHEEL BRAKES	Y	Y	Y	Y	Y
42.42.02	REAR WHEEL BRAKES	Y	Y	Y	Y	Y
42.42.03	TANDAM MASTER CYLINDER	Y	Y	Y	Y	Y
42.42.04	BRAKE PIPE LINES	Y	Y	Y	Y	Y
42.42.05	PARKING BRAKES				Y	Y
42.42.06	PARKING BRAKES	Y	Y	Y		
46	STEERING					
46.46.01	STEERING LINKAGE	Y	Y	Y	Y	Y
46.46.02	POWER STEERING PUMP MOUNTING				Y	Y
46.46.03A	POWER STEERING COMPONENTS AND PIPE LINES				Y	Y
46.46.03B	POWER STEERING COMPONENTS AND PIPE LINES	Y	Y	Y		
46.46.04	POWER STEERING PUMP (ZF)	Y	Y	Y	Y	Y
46.46.05	POWER STEERING GEAR BOX (ZF)	Y	Y	Y	Y	Y
46.46.06	POWER STEERING HYDRAULIC TANK (ZF)	Y	Y	Y	Y	Y
47	FUEL SYSTEM					
47.47.01	ASSY. FUEL TANK				Y	Y
47.47.02	ASSY. FUEL TANK	Y	Y	Y		
49	EXHAUST SYSTEM					
49.49.01	EXHAUST SYSTEM	Y	Y	Y	Y	Y

VARIANT - TABLE MATRIX - SFC 407 LHD E-II						
	CHASSIS TYPE	357173	357171	357172	357174	357175
	VC NUMBER	26524431000L	26524531100L	26524731000L	26517131000L	26517031000L
	DESCRIPTION	SFC 407 LHD, COWL, W/O HD, PS, E-II	SFC 407 LHD, CABIN, W/O HD, PS, LB, E-II	SFC 407 LHD CABIN W/O HD PS W/O LB E-II	SFC 407 LHD, ST, LB, E-II	SFC 407 LHD, ST, W/O LB, HD, E-II
TABLE NUMBER	TABLE DESCRIPTION					
50	RADIATOR					
50.50.01	RADIATOR				Y	Y
50.50.02	RADIATOR	Y	Y	Y		
54	ELECTRICALS					
54.54.01A	ELECTRICAL EQUIPMENT					Y
54.54.01B	ELECTRICAL EQUIPMENT				Y	
54.54.01C	ELECTRICAL EQUIPMENT			Y		
54.54.01D	ELECTRICAL EQUIPMENT		Y			
54.54.01E	ELECTRICAL EQUIPMENT	Y				
54.54.02A	WIRING HARNESS					Y
54.54.02B	WIRING HARNESS				Y	
54.54.02C	WIRING HARNESS		Y	Y		
54.54.02D	WIRING HARNESS	Y				
60	BODY					
60.60.01A	ASSY. CAB COMPLETE					Y
60.60.01B	ASSY. CAB COMPLETE				Y	
60.60.01C	ASSY. CAB COMPLETE		Y	Y		
60.60.01D	ASSY. COWL COMPLETE	Y				
60.60.02	SHEET METAL PARTS		Y	Y	Y	Y
60.60.03	SHEET METAL PARTS	Y				
60.67.01	WIND SHIELD GLASS		Y	Y	Y	Y
60.67.02	WIND SHIELD GLASS	Y				
60.68.01A	DASH BOARD					Y
60.68.01B	DASH BOARD		Y	Y	Y	
60.68.01C	DASH BOARD	Y				
60.68.02	INSIDE LINING		Y	Y	Y	Y
60.68.03	INSIDE LINING	Y				
60.70.01	LOAD BODY		Y		Y	
60.72.01	DOOR		Y	Y	Y	Y
60.72.02	DOOR LOCK AND HANDLES		Y	Y	Y	Y
60.72.03	DOOR GLASS		Y	Y	Y	Y
60.81.01	INTERNAL AND EXTERNAL FITMENTS				Y	Y
60.81.02	INTERNAL AND EXTERNAL FITMENTS		Y	Y		
60.81.03	INTERNAL AND EXTERNAL FITMENTS	Y				
60.82.01	WINDSHIELD WIPING AND WASHING SYSTEM	Y	Y	Y	Y	Y
60.83.01	CAB HEATING					Y

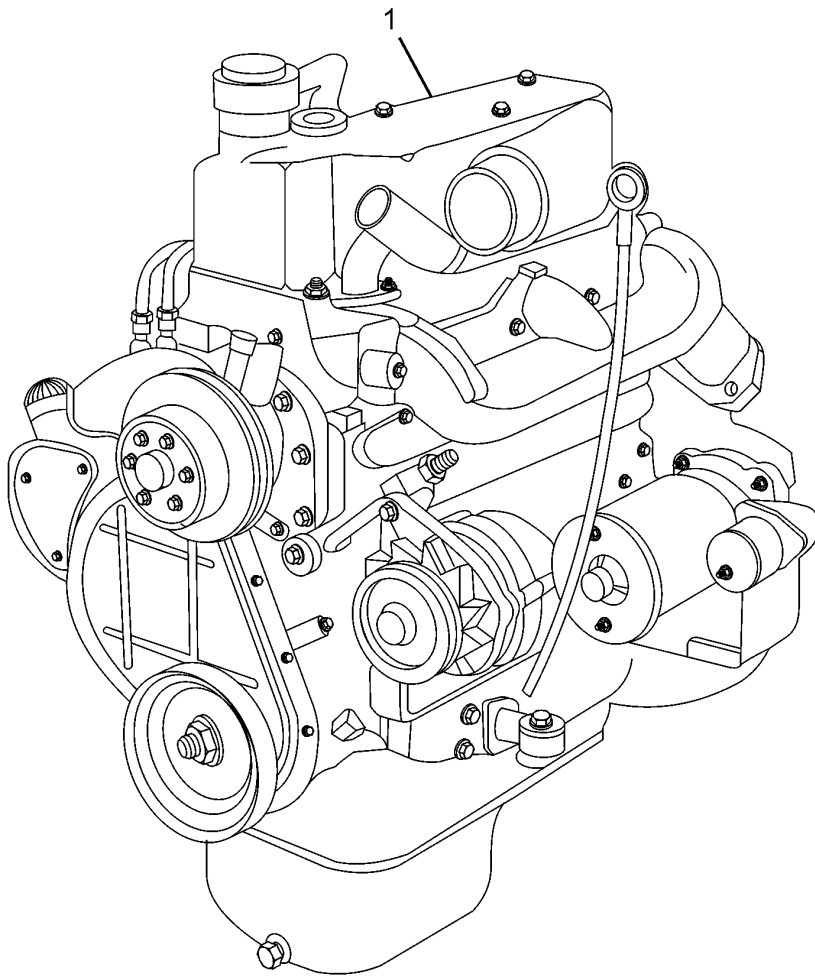
VARIANT - TABLE MATRIX - SFC 407 LHD E-II						
CHASSIS TYPE	357173	357171	357172	357174	357175	
VC NUMBER	26524431000L	26524531100L	26524731000L	26517131000L	26517031000L	
DESCRIPTION	SFC 407 LHD, COWL, W/O HD, PS, E-II	SFC 407 LHD, CABIN, W/O HD, PS, LB, E-II	SFC 407 LHD CABIN W/O HD PS W/O LB E-II	SFC 407 LHD, ST, LB, E-II	SFC 407 LHD, ST, W/O LB, HD, E-II	
TABLE NUMBER	TABLE DESCRIPTION					
60.83.02	CAB VENTILATION	Y	Y	Y	Y	
60.88.01A	CENTRE BONNET				Y	
60.88.01B	CENTRE BONNET	Y	Y	Y		
60.88.02	CENTRE BONNET LOCK	Y	Y	Y	Y	
60.88.03	BUMPER AND ENGINE HOOD	Y	Y	Y	Y	
60.89.01	CAB MOUNTING (FRONT AND REAR)	Y	Y	Y	Y	
60.91.01A	DRIVER AND CO DRIVER SEAT				Y	
60.91.01B	DRIVER AND CO DRIVER SEAT		Y	Y		
60.91.01C	DRIVER AND CO DRIVER SEAT	Y				
60.91.02	SEAT BELTS		Y	Y	Y	

CHASSIS TYPE: 357175; 357174



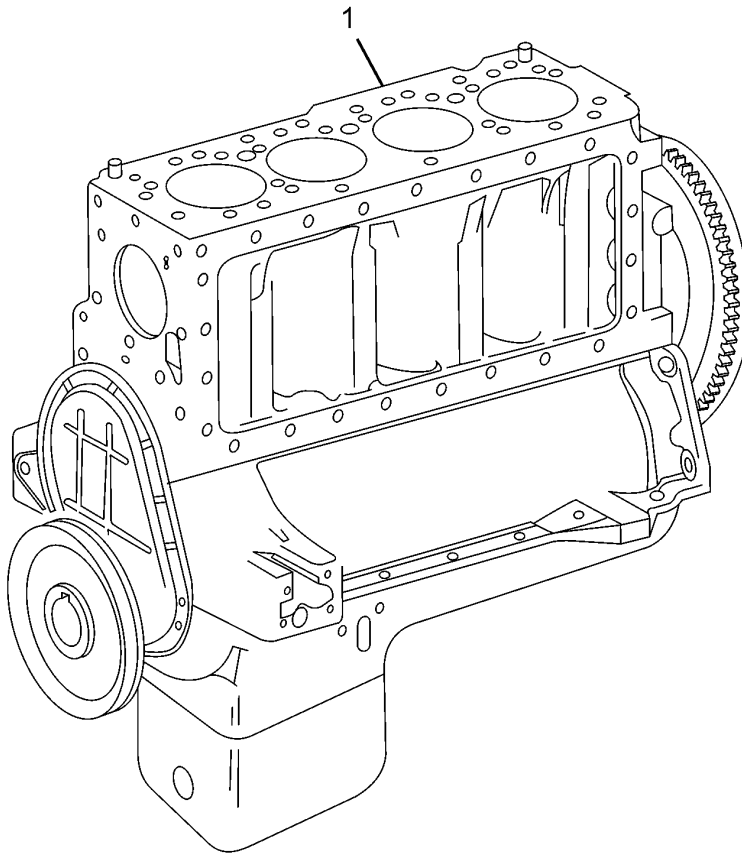
00.01.01A		ENGINE		GROUP 01	
CHASSIS TYPE: 357175; 357174					
FIG. NO.	PART NUMBER	DESCRIPTION	QTY	REMARKS	
1	253401000192	ASSY.ENG.COMP.W/CL,P.STRG,HD-SFC407	LHD		

CHASSIS TYPE: 357171; 357172; 357173



00.01.01B		ENGINE		GROUP 01	
CHASSIS TYPE: 357171; 357172; 357173					
FIG. NO.	PART NUMBER	DESCRIPTION	QTY	REMARKS	
1	253401000308	ASSY ENG.COMP.4SPTC BS-II WITH P.STRG	1		

CHASSIS TYPE: ALL



00.01.02		HALF BLOCK AND LONG BLOCK		GROUP 01	
CHASSIS TYPE: ALL					
FIG. NO.	PART NUMBER	DESCRIPTION	QTY	REMARKS	
1	253401990284	HALF BLOCK ASSY.HALF BLOCK(SFC 407 BS-II)	1		
—	253401990283	LONG BLOCK ASSY.LONG BLOCK(SFC 407 BS-II)	1		

00.01.03

ENGINE OVERHAULING GASKET KIT

GROUP 01

CHASSIS TYPE: ALL

NO IMAGE

00.01.03		ENGINE OVERHAULING GASKET KIT		GROUP 01
CHASSIS TYPE: ALL				
FIG. NO.	PART NUMBER	DESCRIPTION	QTY	REMARKS
—	253401990250	ENGINE OVERHAUL GASKET KIT CONSISTING OF :	1	
		SEALING WASHER 6X10	1	
		SEALING WASHER 12X15.5	2	
		SEALING WASHER 14X18	5	
		SEALING WASHER 18X22	1	
		SEALING WASHER 22X27	3	
		SEALING WASHER 26X32	1	
		SEALING WASHER A8X12	4	
		SEALING WASHER 8X11.5	6	
		SEALING WASHER 8X14	4	
		SEALING WASHER 10X14	4	
		SEALING WASHER 12X15.5	2	
		SEALING WASHER 14X18	6	
		SEALING WASHER 16X20	2	
		SEALING WASHER 18X22	1	
		SEALING WASHER 16X20-CU	1	
		O-RING 6.00X1.80	1	
		SEALING RING HALF	2	
		SEAL CRANKSHAFT FRONT	1	
		SEALING WASHER	4	
		GASKET (AC HEAD TO CYL SLEEVE)	1	
		GASKET	2	
		GASKET EXHAUST MANIFOLD	1	
		GASKET	2	
		GASKET CYLINDER SLEEVE CYL BLOCK	1	
		ASSY.GASKET OIL SUMP	1	
		GASKET (TGH COVER)	1	
		GASKET CYL HEAD COVER	1	
		CYLINDER HEAD GASKET	1	
		GASKET- PUSH ROD CHAMBER COVER	1	
		GASKET TIMING GEAR HOUSING.	1	
		GASKET (FOR SUPPORT INJ.PUMP)	1	
		GASKET (FIP TO SUPPORT)	1	
		GASKET (T C TO INTERMEDIATE PIPE)	1	
		GASKET-EXH.MANIFOLD TO TURBO	1	
		CHARGER		
		CYLINDER HEAD GASKET	1	

00.01.03

ENGINE OVERHAULING GASKET KIT

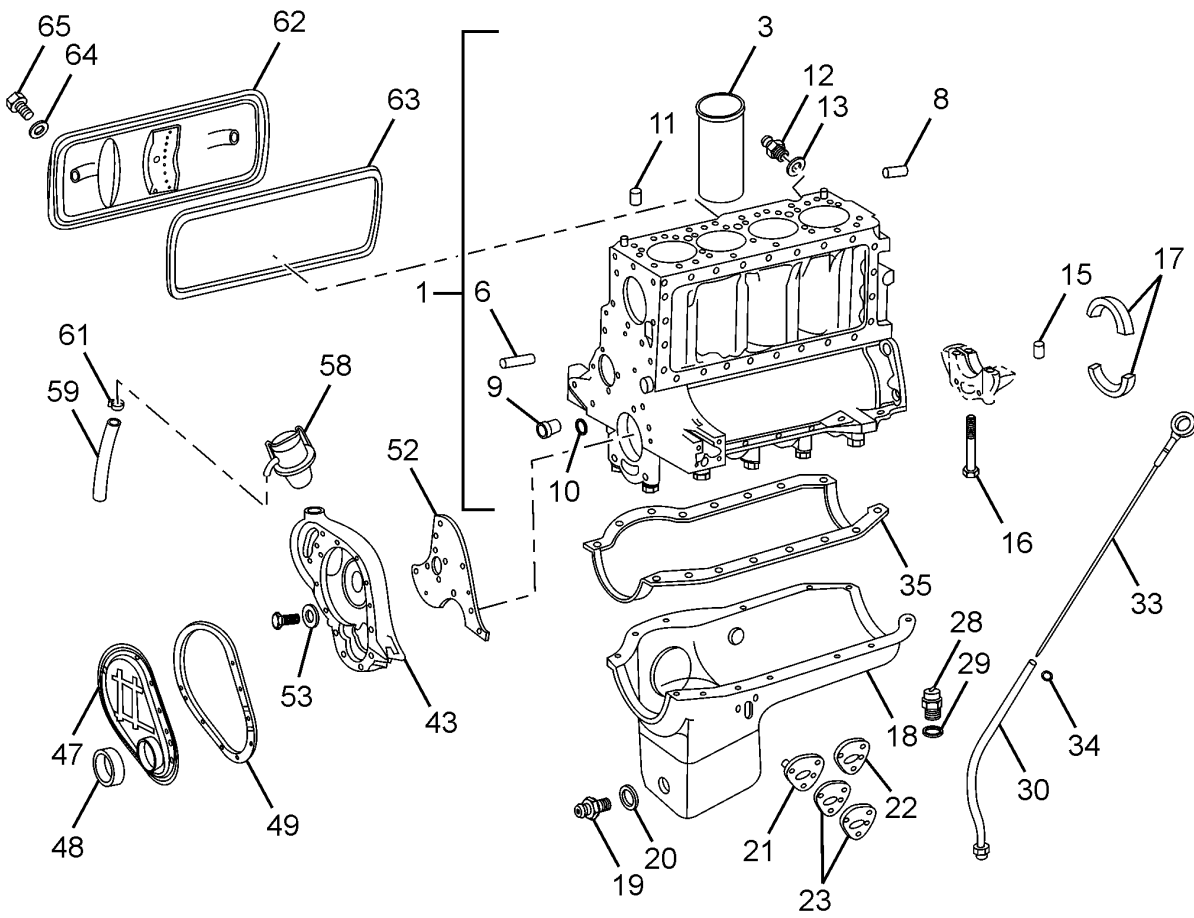
GROUP 01

CHASSIS TYPE: ALL

NO IMAGE

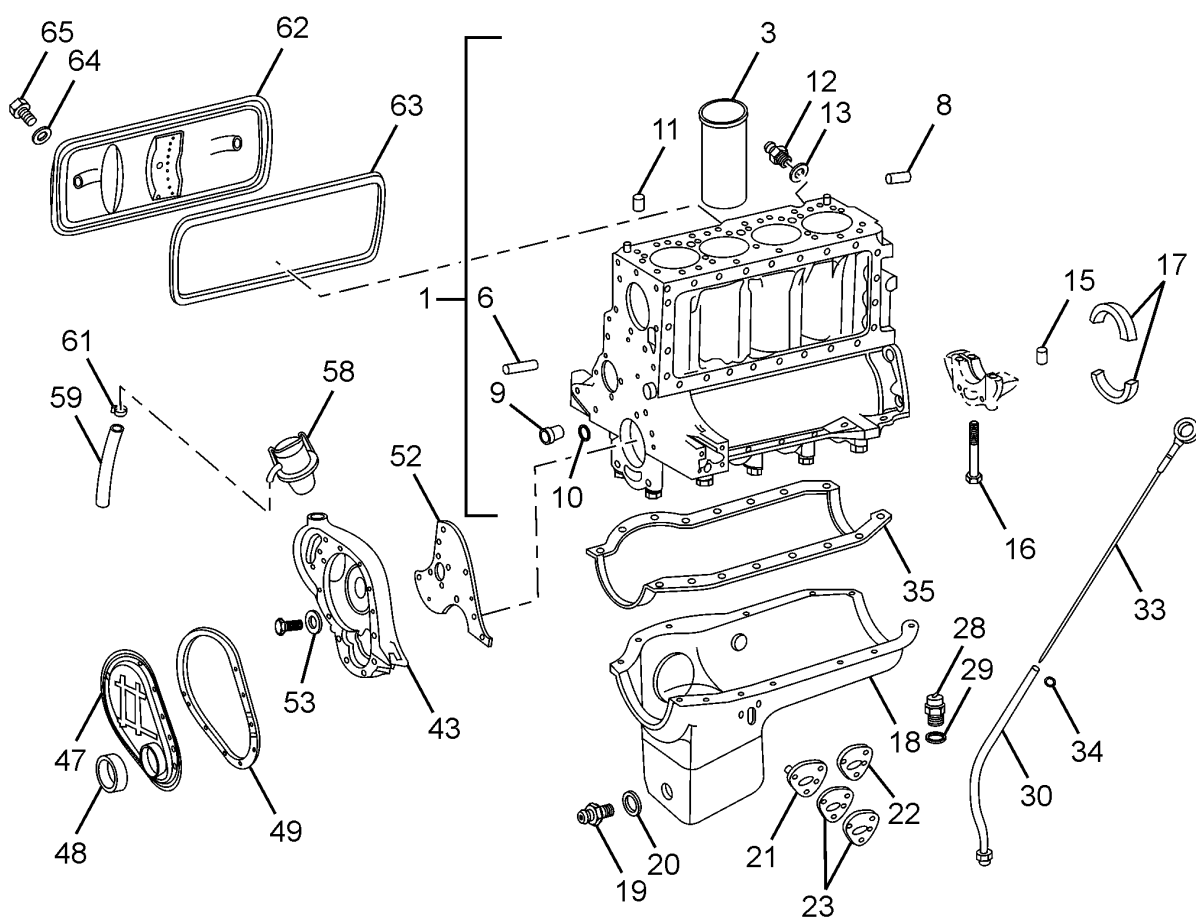
00.01.03		ENGINE OVERHAULING GASKET KIT		GROUP 01
CHASSIS TYPE: ALL				
FIG. NO.	PART NUMBER	DESCRIPTION	QTY	REMARKS
—	253401990242	GASKET (EXH.MANIFOLD TO TURBOCHARGER)	1	
		GASKET (TC TO INT PIPE)	1	
		GASKET (OIL FILTER TO CYL BLOCK)	1	
		GASKET (OIL COOLER)	1	
		GASKET (TC OUTLET)	1	
		GASKET	1	
		GASKET	1	
		OIL SEAL	1	
		O RING FOR OIL PIPE	1	
		GASKET	1	
		GASKET	1	
		GASKET WATER PUMP	1	
		SEALING PLUG	1	
		GASKET REAR M B CAP & COVER TGH	2	
		GASKET	2	
		DECARBONISING GASKET KIT	1	
		CONSISTING OF :		
		GASKET-CYL.HEAD:NON-RETORQUE	1	
		GASKET CYL HEAD COVER	1	
		GASKET EXH MANIFOLD	1	
		GASKET-EXH.MANIFOLD TO TURBO CHARGER	1	
		GASKET (TC TO INTERMEDIATE PIPE)	1	
		GASKET (EXH.MANIFOLD TO TURBOCHARGER)	1	
GASKET (TC TO INT PIPE)	1			

CHASSIS TYPE: ALL



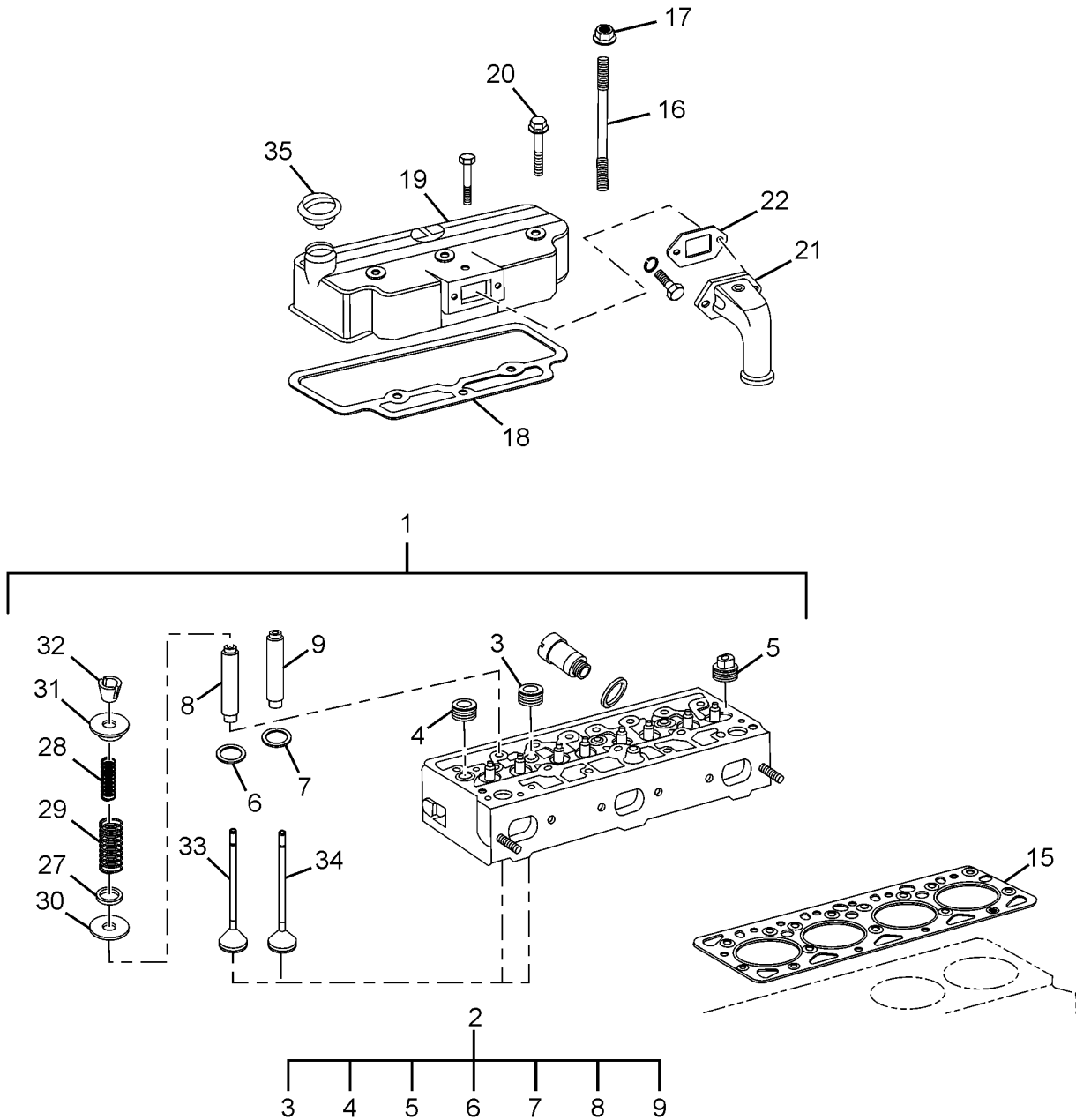
00.01.04		CYLINDER BLOCK		GROUP 01
CHASSIS TYPE: ALL				
FIG. NO.	PART NUMBER	DESCRIPTION	QTY	REMARKS
1	253401100176	ASSY. CYLINDER CRANKCASE WITHOUT CLUTCH HOUSING	1	
3	253401103712	CYLINDER LINER	4	
6	3219920025	CLAMPING SLEEVE CYLINDER BLOCK	1	
-	3121881135P	SLEEVE CYLINDER BLOCK	1	
8	13050910304	CYLINDER PIN 12 H 8X30	2	
9	253401107201	PLUG (OIL GALLERY)	2	
10	16220710240	WASHER 16X20 CU	2	
-	3219970020	LOCKING COVER	1	
11	3129910260	CYLINDER PIN (CYLINDER HEAD TO CYLINDER BLOCK)	2	
12	252301107201	SEALING PLUG	1	
13	16220710282	WASHER 18X22 CU	1	
15	13050508166	CYLINDER PIN 8 M 6X16	2	
16	252301103201	MAIN BEARING CAP BOLT	10	
17	252303107802	SEALING RING HALF	2	
18	253401130129	ASSY. OIL SUMP	1	
19	253401130111	ASSY. MAGNETIC DRAIN PLUG	1	
20	16220710282	WASHER 18X22 CU	1	
21	252301133703	FLANGE OIL SUMP DIPSTICK	1	
22	252301133702	RETAINING FLANGE ON OIL SUMP	1	
23	3520180380	GASKET	2	
—	252701136301	CAP FOR OIL DRAIN PLUG	1	
28	252301178501	DOUBLE SOCKET	1	
29	16220510216	WASHER 14X18 AL	1	
—	252301130114	ASSY COMBI SCREW	12	
30	253401170102	ASSY. TUBE DIPSTICK COMPLETE	1	
33	253401170103	ASSY. OIL DIPSTICK COMPLETE	1	
34	17050500101	'O' RING 6X1.80	1	
35	253401130124	ASSY. GASKET OIL SUMP	1	
-	11632496011	STUD BM8X20	2	
43	253401140132	ASSY. TIMING GEAR HOUSING	1	
—	253401170118	ASSY. BRACKET (DIPSTICK TUBE MTG.)	1	
47	252701143706	FRONT COVER TIMING GEAR HOUSING	1	
48	253403107801	OIL SEAL, CRANKSHAFT FRONT	1	
49	252701145305	GASKET FOR TIMING GEAR HOUSING COVER	1	
52	253401145305	GASKET TIMING GEAR HOUSING	1	

CHASSIS TYPE: ALL



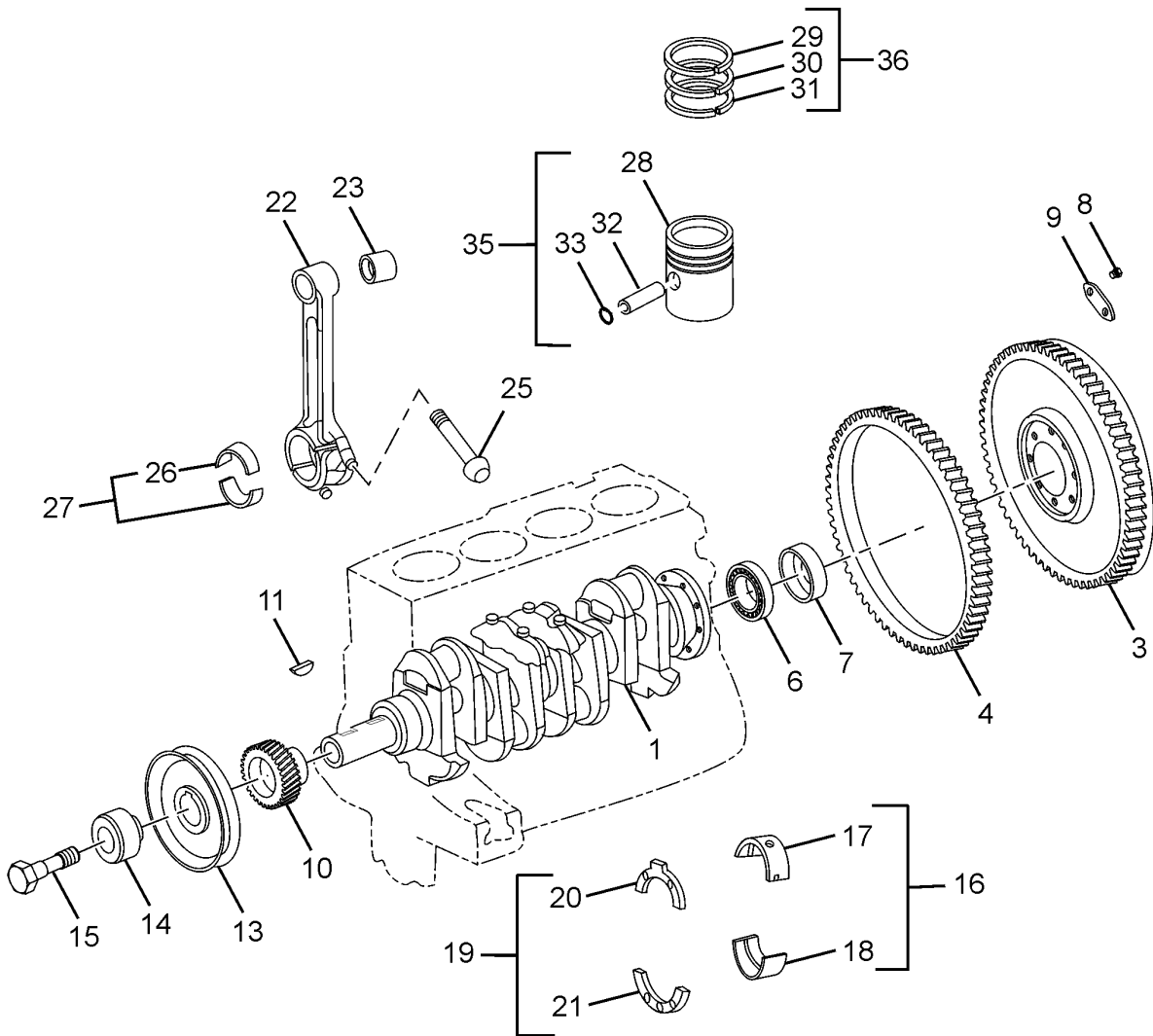
00.01.04		CYLINDER BLOCK		GROUP 01
CHASSIS TYPE: ALL				
FIG. NO.	PART NUMBER	DESCRIPTION	QTY	REMARKS
53	3129940310	LOCKING PLATE	3	
58	252301170122	ASSY. BREATHER (ON TGH)	1	
59	252701175808	RUBBER HOSE (BREATHER)	1	
61	14270202501	HOSE CLIP 25	1	
62	253401140101	ASSY. PUSH ROD CHAMBER COVER	1	
63	253401145308	GASKET PUSH ROD CHAMBER COVER	1	
64	16220710096	SEALING WASHER 8X11.5	2	
65	11064096020	HEX. BOLT M 8X40	2	

CHASSIS TYPE: ALL



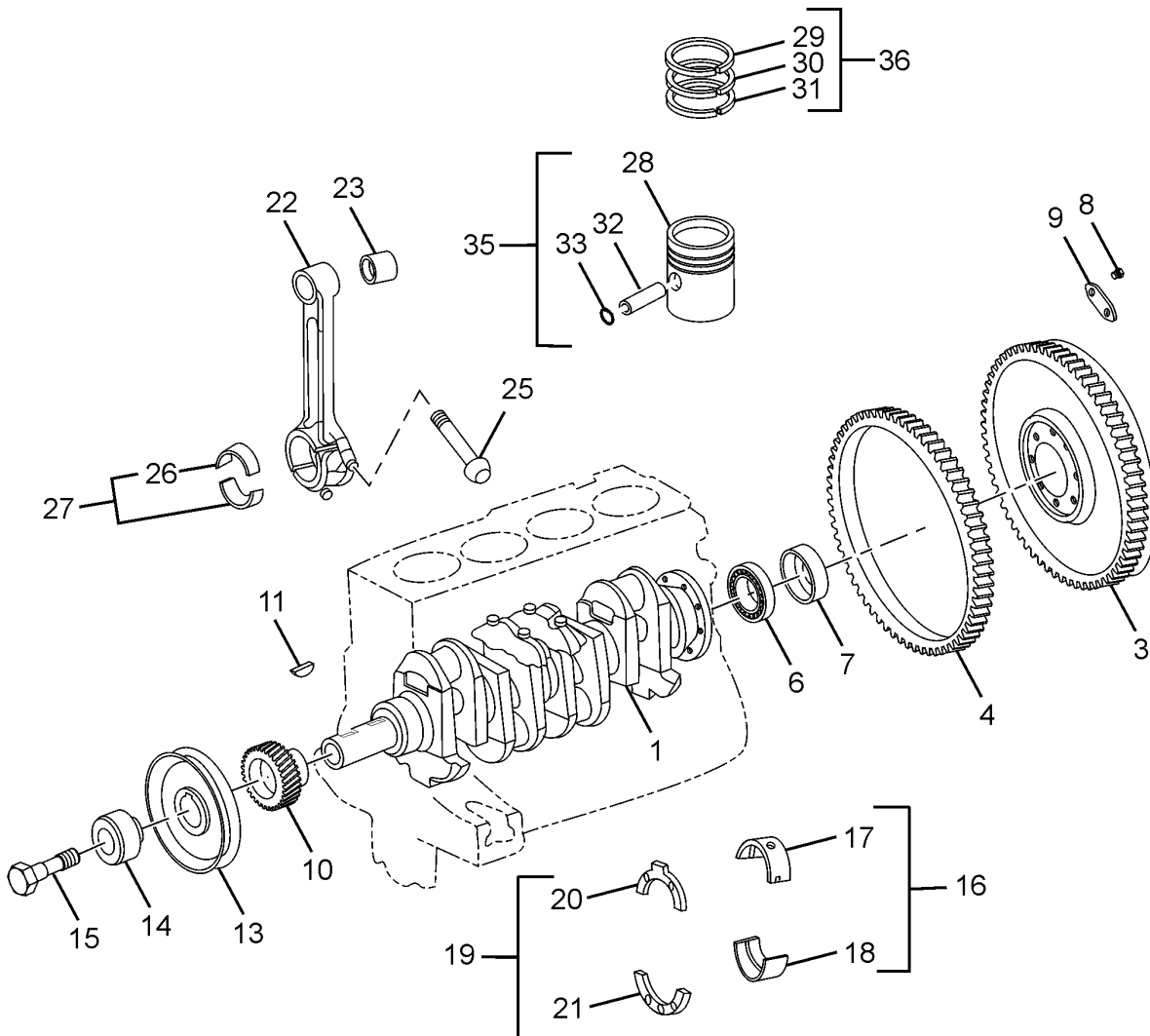
00.01.05		CYLINDER HEAD AND COVER		GROUP 01
CHASSIS TYPE: ALL				
FIG. NO.	PART NUMBER	DESCRIPTION	QTY	REMARKS
1	253401150232	ASSY.CYL.HD.W.VALES(60 DEG INLET):4SPBS2	1	
2	253401150233	ASSY CYL. HEAD W/O VALES:4SP/497BS-II	1	
3	16081803009	PLUG MC 30X1.5	3	
4	16081802401	PLUG MC 24X1.5	2	
5	3120160061	SEALING PLUG	1	
-	253401153204	SEAT PLUG (ON CYL.HEAD)	1	
—	253405990121	SET VALVE SEAT RING CONSISTING OF :	1	
6	252501153433	VALVE SEAT RING INLET-NORMAL	4	
7	252501153410	VALVE SEAT-RING EXHAUST-NORMAL	4	
8	253405153402	VALVE GUIDE INLET STANDARD	4	
9	253405153415	VALVE GUIDE EXHAUST STANDARD	4	
15	253401155301	GASKET CYLINDER HEAD	1	
16	3229900505	STUD BOLT CYLINDRICAL CRANKCASE	17	
17	3150380072	HEX. NUT	17	
18	252701155302	GASKET CYL HEAD COVER (OFFER)	1	
19	253401150184	COVER CYLINDER HEAD	1	
20	253301153202	STRETCH PIN	3	
21	253401153829	AIR INTAKE ELBOW	1	FOR KKK\HONEYWELL TURBO
21	253401153830	AIR INTAKE ELBOW	1	FOR HOISET TURBO
-	252701159904	STRAIGHT REDUCER	1	
22	253301155302	GASKET	1	
27	253405159909	SEAL VALVE GUIDE (INLET)	4	
27	253405159910	SEAL VALVE GUIDE (EXHAUST)	4	
28	253405158701	VALVE SPRING (INNER)	8	
29	253405158702	VALVE SPRING (OUTER)	8	
30	3529902040	VALVE SPRING WASHER	8	
31	253405155101	LOCK RETAINER VALVE SPRING	8	
32	3120530127	VALVE SPRING LOCK HALF	16	
—	253405990122	SET-VALVES-INLET(60 DEG)/EXHAUST	1	
33	252505129018	INLET VALVE(60 DEG)-RANE EVL	4	
34	253405129014	EXHAUST VALVE	4	
35	253401150117	ASSY. CAP (ON CYL. HEAD COVER)	1	
—	254701155325	GASKET (FOR OIL CAP)	1	

CHASSIS TYPE: ALL



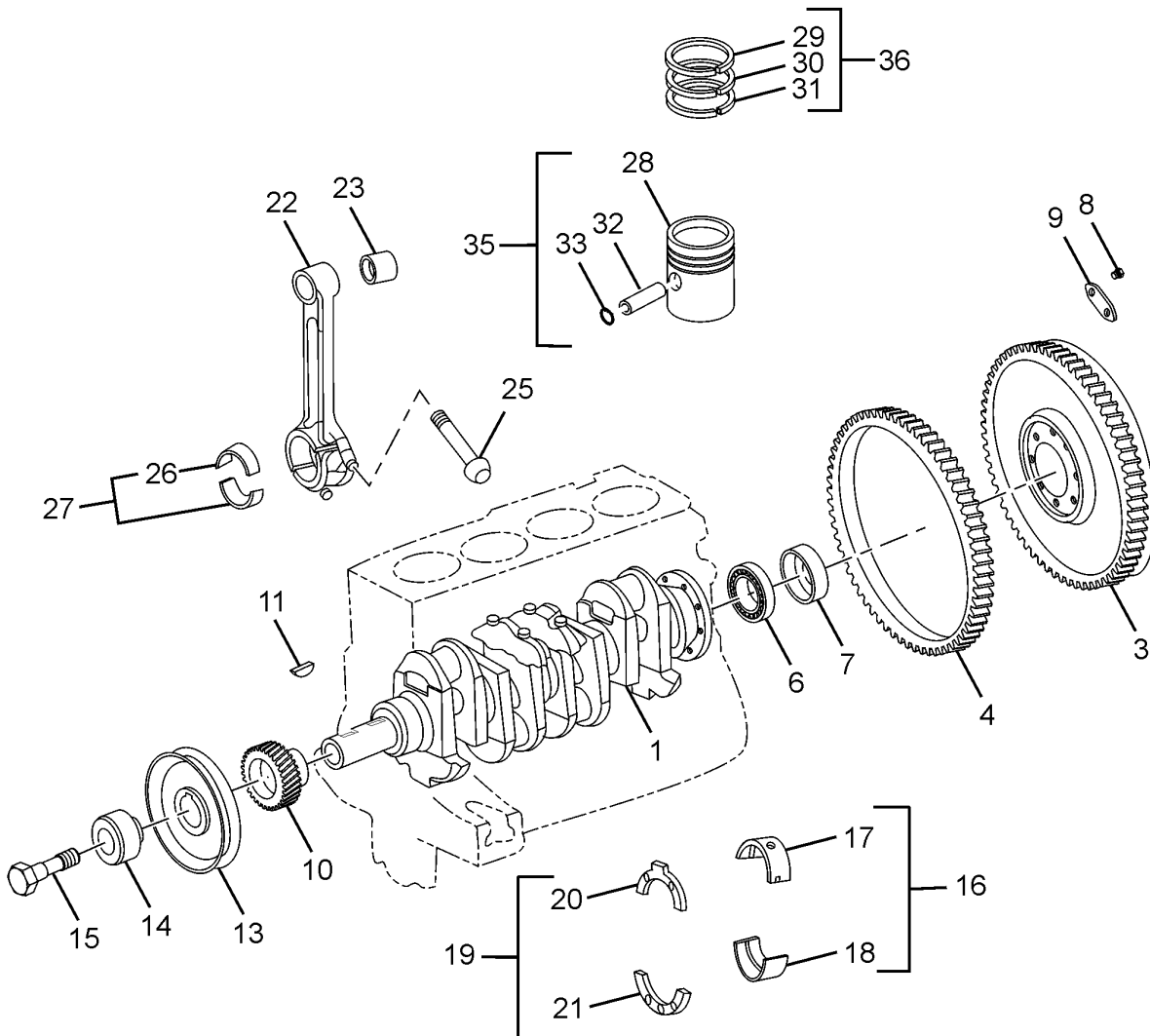
00.03.01		MOVING PARTS		GROUP 03	
CHASSIS TYPE: ALL					
FIG. NO.	PART NUMBER	DESCRIPTION	QTY	REMARKS	
1	253403107913	CRANKSHAFT STD (INTEGRAL)	1		
3	253403110128	ASSY. FLYWHEEL WITH RING GEAR	1		
4	253403115401	RING GEAR	1		
-	253403114801	CYLINDRICAL PIN	1		
6	253403103102	SRDG BALL BEARING	1		
7	3120310533	LOCKING RING CRANKSHAFT	1		
8	3129900301	HEX. HEAD BOLT	8		
9	3129940232	LOCKING PLATE	4		
10	3520520003	CRANKSHAFT GEAR	1		
11	13650510091	KEY 8X13	1		
—	252503138201	OIL SLINGER	1		
—	252703138603	SPACER (OIL SLINGER)	1		
13	253403137016	PULLEY-CRANKSHAFT	1		
14	252303138603	THRUST SPACER	1		
15	252303133202	VIBRATION DAMPER LOCK	1		
MAIN BEARINGS					
16	885403372534	SET OF MAIN BEARING W/O THRUST	1		
WASHER STD CONSISTING OF :					
17		MAIN BEARING UPPER STD	5		
18		MAIN BEARING LOWER STD	5		
16	885403392534	SET OF MAIN BEARING W/O THRUST	1		
WASHER RS I CONSISTING OF :					
17		MAIN BEARING UPPER RS I	5		
18		MAIN BEARING LOWER STD	5		
16	885403402534	SET OF MAIN BEARING W/O THRUST	1		
WASHER RS II CONSISTING OF :					
17		MAIN BEARING UPPER RS II	5		
18		MAIN BEARING LOWERRS II	5		
16	885403412534	SET OF MAIN BEARING W/O THRUST	1		
WASHER RS III CONSISTING OF :					
17		MAIN BEARING UPPER RS III	5		
18		MAIN BEARING LOWER RS III	5		
16	885403422534	SET OF MAIN BEARING W/O THRUST	1		
WASHER RS IV CONSISTING OF :					
17		MAIN BEARING UPPER RS IV	5		
18		MAIN BEARING LOWER RS IV	5		
19	885403492534	SET OF THRUST WASHER STD	1		
CONSISTING OF :					
20		THRUST WASHER UPPER HALF STD	2		
21		THRUST WASHER LOWER HALF STD	2		

CHASSIS TYPE: ALL



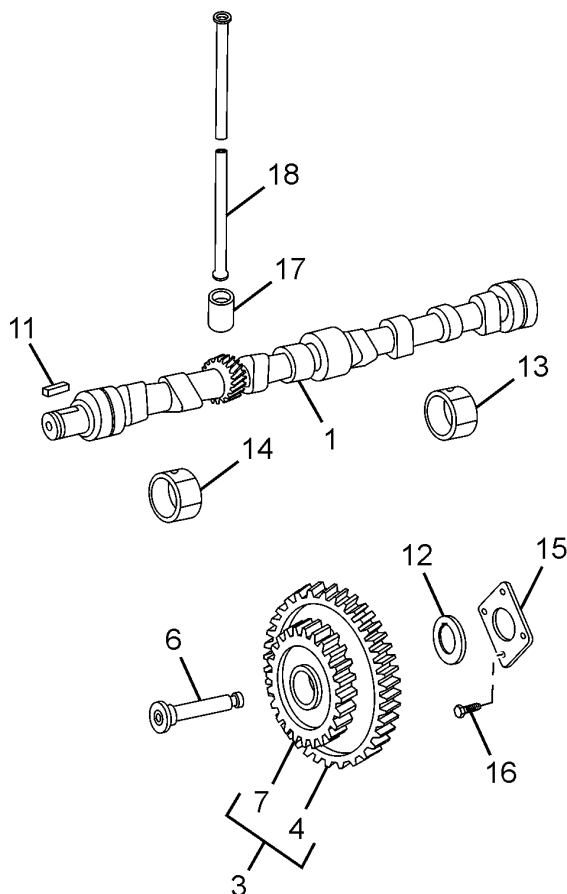
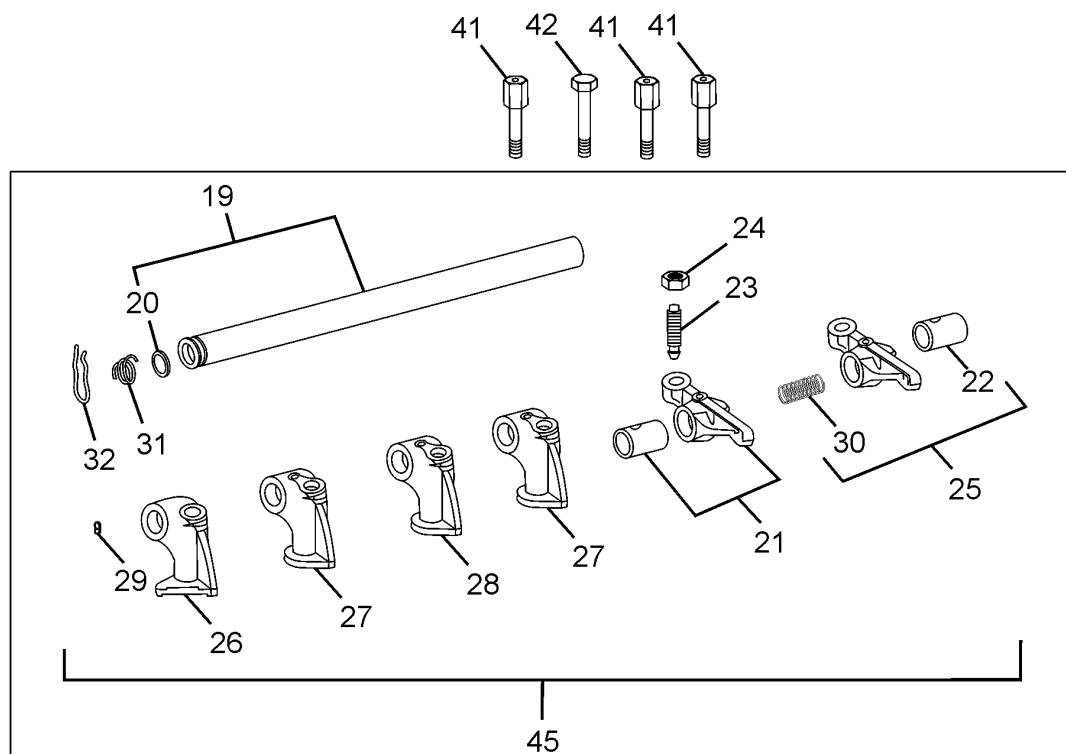
00.03.01		MOVING PARTS		GROUP 03
CHASSIS TYPE: ALL				
FIG. NO.	PART NUMBER	DESCRIPTION	QTY	REMARKS
19	885403502534	SET OF THRUST WASHER RS I CONSISTING OF :	1	
20		THRUST WASHER UPPER HALF RS I	2	
21		THRUST WASHER LOWER HALF RS I	2	
19	885403512534	SET OF THRUST WASHER RS II CONSISTING OF :	1	
20		THRUST WASHER UPPER HALF RS II	2	
21		THRUST WASHER LOWER HALF RS II	2	
		PISTON AND RING SET		
35	885403682534	SET OF BARE PISTON 4SPTC STD EURO I & II (NON SLIPPER) CONSISTING OF :	1	SET A, OPTIONAL TO B ; FOR VEHICLES UPTO MAY 2007
28		PISTON STD	4	
32		PISTON PIN	4	
33		CIRCLIP	8	
35	885403732534	SET OF BARE PISTON 4SPTC STD EURO I & II (SLIPPER) CONSISTING OF :	1	SET B, OPTIONAL TO A ; FOR VEHICLES UPTO MAY 2007
28		PISTON STD	4	
32		PISTON PIN	4	
33		CIRCLIP	8	
35	253403990227	SET OF BARE PISTON :(ESCORTS) CONSISTS OF	1	FOR VEHICLES AFTER JUNE 2007
28		PISTON (STD-I DIA 96.900)M/s GIL BS-II	4	
32		PISTON PIN	4	
33		CIRCLIP	4	
36	885403742534	SET OF PISTON RINGS STD 4SPTC / 497TC EURO I & II CONSISTING OF :	1	FOR VEHICLES UPTO MAY 2007
29		DOUBLE TRAPEZE RING GR I	4	
30		NAPIER RING GR II	4	
31		ASSY. OIL CONTROL RING	4	
36	253403990228	SET OF PISTON RING (GOETZE):4SP BS:II CONSISTS OF:	1	FOR VEHICLES AFTER JUNE 2007
29	252503149964	INTER.STEPPED KEYSTONE RING TOP	4	
30	252503149965	INTER STEPPED COMPRESSION RING	4	
31	252503140355	ASSY.OIL CONTROL RING GROOVE III	4	
		CONNECTING ROD		
22	253403150110	ASSY. CONNECTING ROD W/O BEARING	4	
23	885403522534	CON ROD BUSH SET STD CONSISTING OF :	1	
23	3520381150	CON ROD BUSH	4	

CHASSIS TYPE: ALL



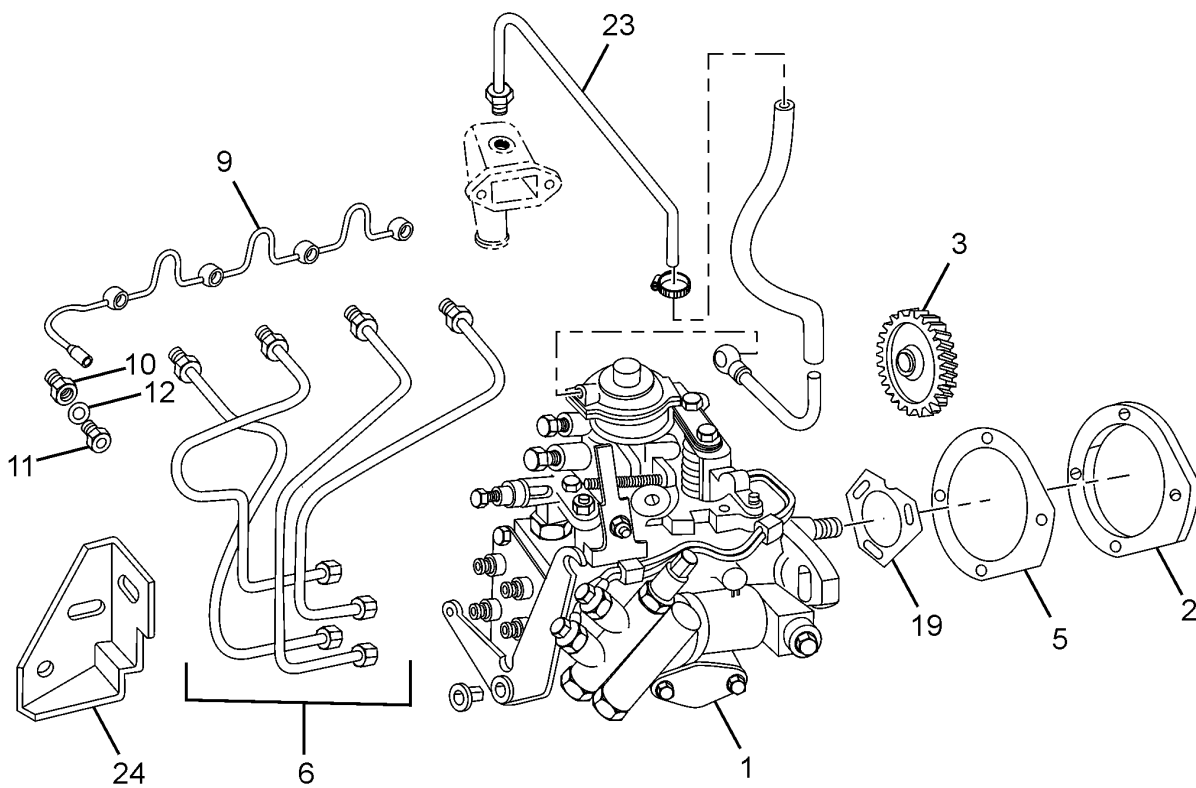
00.03.01		MOVING PARTS		GROUP 03	
CHASSIS TYPE: ALL					
FIG. NO.	PART NUMBER	DESCRIPTION	QTY	REMARKS	
25	252503153204	CONNECTING ROD BOLT (FULLY THREADED)	8		
		CONNECTING ROD BEARINGS			
27	885403432534	CON ROD BEARING SET STD	1		
		CONSISTING OF :			
26		CON ROD BEARING STD	8		
27	885403452534	CON ROD BEARING SET RS I	1		
		CONSISTING OF :			
26		CON ROD BEARING RS I	8		
27	885403462534	CON ROD BEARING SET RS II	1		
		CONSISTING OF :			
26		CON ROD BEARING RS II	8		
27	885403472534	CON ROD BEARING SET RS III	1		
		CONSISTING OF :			
26		CON ROD BEARING RS III	8		
27	885403482534	CON ROD BEARING SET RS IV	1		
		CONSISTING OF :			
26		CON ROD BEARING RS IV	8		
—	885403012523	KIT, CRANSHAFT SEALING RING HALF	1		
		CONSISTING OF :			
—	252303107802	SEALING RING HALF	2		
—	1869910055	LOCATING PIN	2		

CHASSIS TYPE: ALL



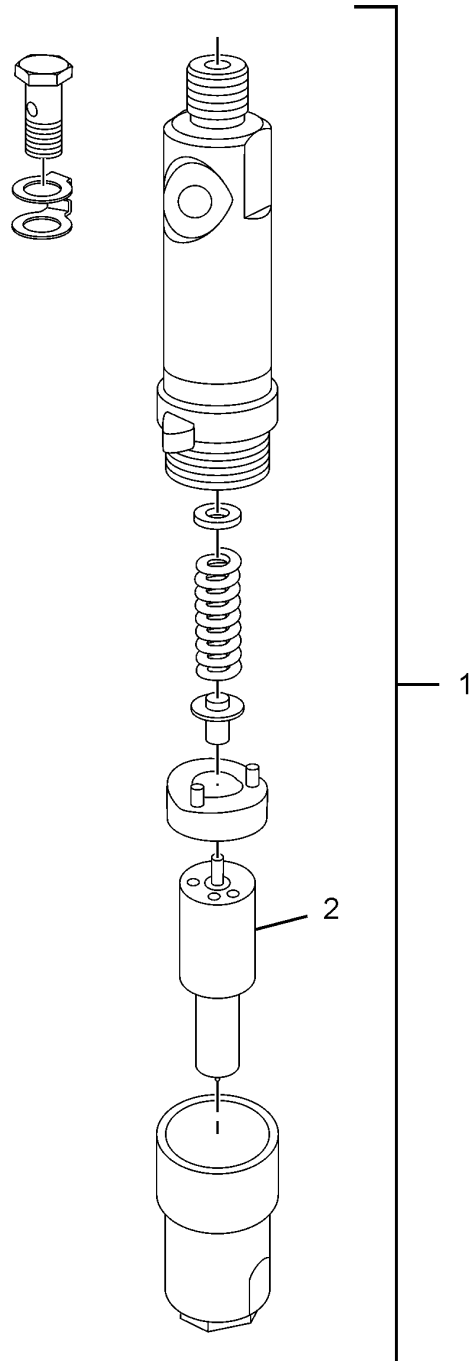
00.05.01		ENGINE TIMING		GROUP 05	
CHASSIS TYPE: ALL					
FIG. NO.	PART NUMBER	DESCRIPTION	QTY	REMARKS	
1	253405100119	ASSY CAMSHAFT W CYL PIN:NORMAL	1		
-	253405106701	CYL.PIN (CAM SHAFT)	1		
3	252707130134	ASSY CAMSHAFT GEAR AND DRIVE GEAR(FIP)	1		
4	252705115403	CAMSHAFT GEAR	1		
6	252505103201	BOLT (CAM SHAFT GEAR MTG)	1		
7	252707135401	DRIVE GEAR INJECTION PUMP	1		
11	252305105901	PARALLEL KEY	1		
12	3520510062	BUTTING RING	1		
-	252305113101	CAMSHAFT BUSH	2		
15	3520520762	THRUST WASHER	1		
16	3129900004	HEX. SCREW	4		
17	253405139902	VALVE TAPPET INLET AND EXHAUST	8		
18	253405167901	PUSH ROD INLET AND EXHAUST	8		
45	252705140101	ASSY. ROCKER ARM SHAFT WITH ARMS	1		
19	252705147902	ASSY. ROCKER ARM SHAFT	1		
20	17071001407	SEALING CAP 14	2		
21	3520501033	ASSY. ROCKER ARM LEFT WITH BUSH	4		
22	3120550050	BUSH	8		
23	252305146701	BALL END TAPPET ADJUSTER	8		
24	3129900251	HEX. NUT (BALL PIN ROCKER ARM)	8		
25	3520500634	ASSY. ROCKER ARM RIGHT WITH BUSH	4		
26	3520550610	ROCKER ARM SUPPORT NO. 1	1		
27	3520550410	ROCKER ARM SUPPORT NO. 2, 5, 6	2		
28	3520550510	ROCKER ARM SUPPORT NO. 3, 4	1		
29	11433206101	GRUB SCREW EM 6X10	4		
30	3129930701	SPRING LONG	3		
31	3129930005	SPRING SHORT	2		
32	3129930025	SPRING CLIP	2		
-	3120550553	CONNECTING NIPPLE OUTSIDE	1		
-	3120550653	CONNECTING NIPPLE INSIDE	1		
41	3120550171	BOLT (ROCKER ARM)	3		
42	11064012632	HEX. BOLT M 12X75	1		
—	253405990102	CAMSHAFT BEARING SET CONSISTING OF :	1		
14		CAMSHAFT BUSH	1		
13		CAMSHAFT BEARING NO. 1	2		

CHASSIS TYPE: ALL



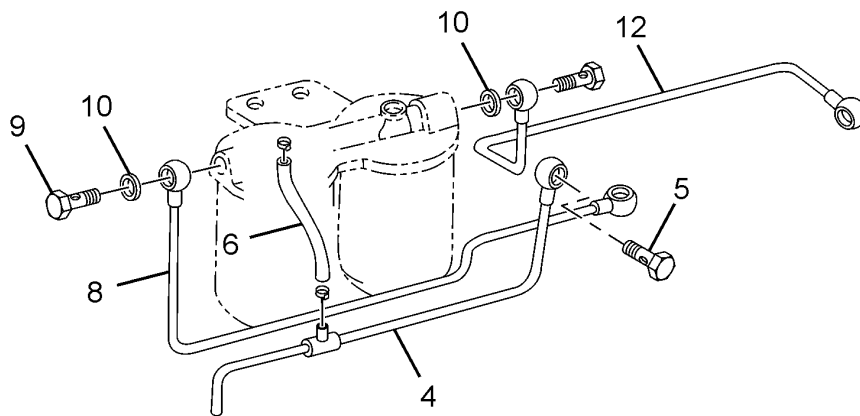
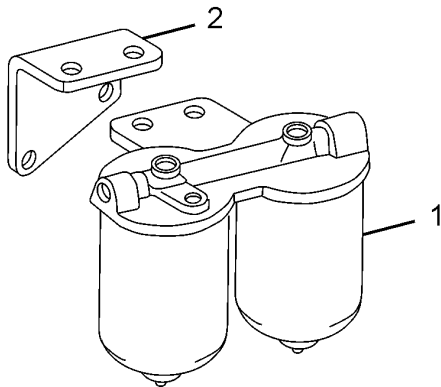
00.07.01		FUEL INJECTION EQUIPMENT		GROUP 07
CHASSIS TYPE: ALL				
FIG. NO.	PART NUMBER	DESCRIPTION	QTY	REMARKS
1	460424235	ASSY. FIP (ROTARY)	1	TML PT. NO. 253407100146
2	252507123702	SUPPORT INJECTION PUMP	1	
3	252707135402	INJECTION PUMP GEAR	1	
5	252707125301	GASKET SUPPORT INJECTION PUMP	1	
6	253407140134	SET ASSY. FUEL PRESSURE LINE	1	
—	253407140135	ASSY. FUEL PRESSURE LINE BENT CYL. NO.1	1	
—	253407140136	ASSY. FUEL PRESSURE LINE BENT CYL. NO.2	1	
—	253407140138	ASSY. FUEL PRESSURE LINE BENT CYL. NO.3	1	
—	253407140141	ASSY. FUEL PRESSURE LINE BENT CYL. NO.4	1	
9	252707140135	ASSY. FUEL LEAKAGE LINE	1	
10	3129970230	PLUG	1	
11	3129970330	PLUG	1	
12	3129970840	GASKET RING FOR CYLINDER HEAD	1	
—	253409110110	SPACER 9 ID	1	
—	253409110111	SPACER II ID	1	
—	252707148201	PIPE CLAMP UPPER	1	
—	252707140102	ASSY. CLAMP LOWER	1	
—	252707148202	CLAMPING PIECE LOWER	1	
-	252707147501	RUBBER GROMMET	3	
19	252707125302	GASKET (FIP TO SUPPORT)	1	
23	252709130274	ASSY AIR LINE (AIR INTAKE ELBOW TO LDA)	1	
24	252707120103	ASSY BRACKET (FIP MTG. ON CYL BLOCK)	1	
—	254707100114	ASSY BOOST LINE (FIP SIDE)	1	
—	254707144201	CLAMP (INJECTOR OVER FLOW LINE)	1	

CHASSIS TYPE: ALL



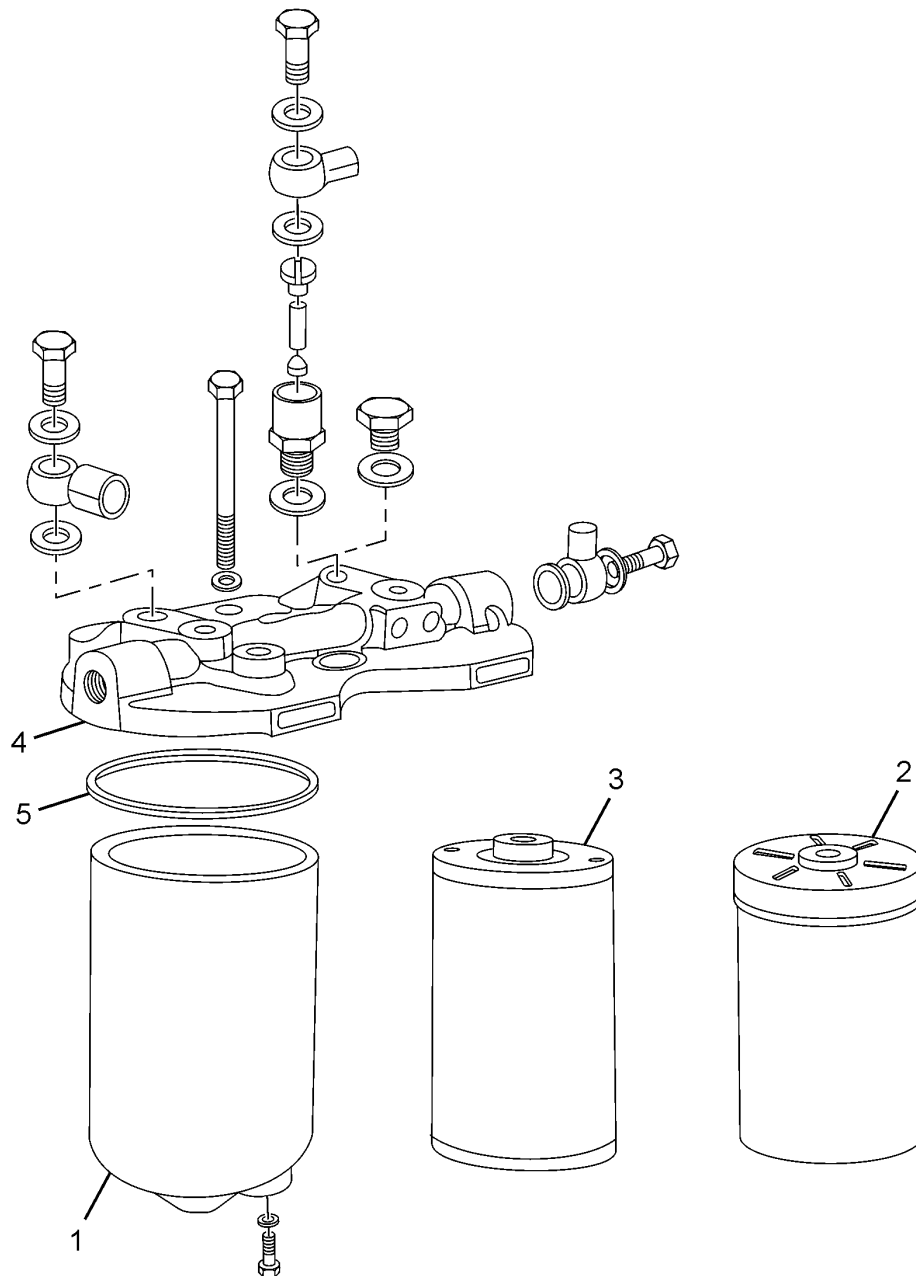
00.07.02		INJECTOR		GROUP 07	
CHASSIS TYPE: ALL					
FIG. NO.	PART NUMBER	DESCRIPTION	QTY	REMARKS	
1	F002C8Z859	INJECTOR ASSY	4	TML PT. NO. 253401160112	
2	F002C40544	NOZZLE	4	TML PT. NO. 253401169903	

CHASSIS TYPE: ALL



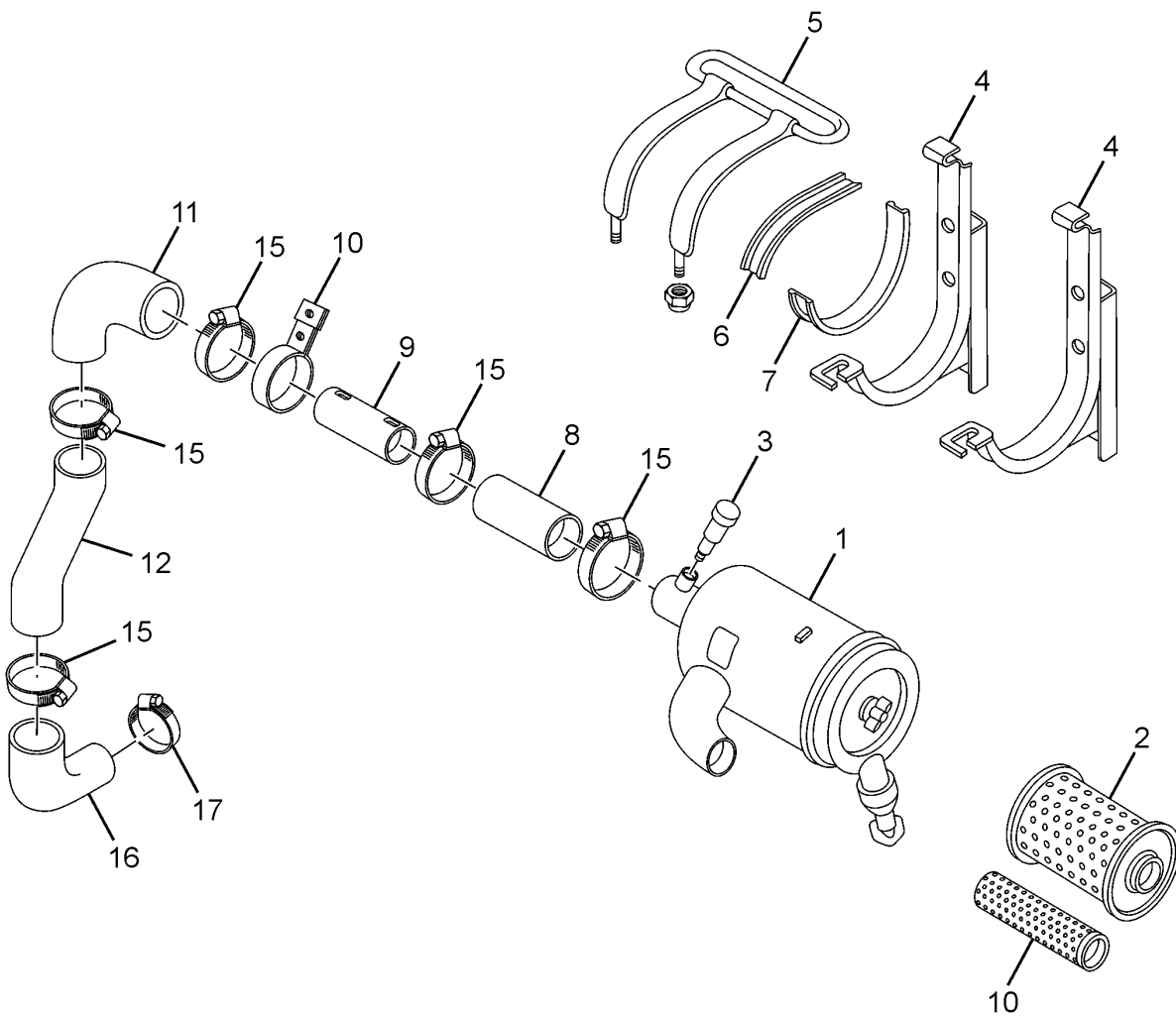
00.09.01		FUEL FILTER MOUNTING		GROUP 09
CHASSIS TYPE: ALL				
FIG. NO.	PART NUMBER	DESCRIPTION	QTY	REMARKS
1	9450030116	ASSY.FUEL FILTER	1	TML PT. NO. 254709110106
2	253409113703	BRACKET FUEL FILTER MOUNTING	1	
4	252709120157	ASSY. OVERFLOW LINE (COMBINED)	2	
5	252709118001	AIR VENT SCREW (ON FUEL FILTER BANJO)	1	
6	252709125805	HOSE	1	
8	253409120147	ASSY. FUEL LINE (FEED PUMP TO FILTER)	1	
9	252709113201	PIPE UNION BOLT 10	4	
10	16220510216	WASHER 14X18 AL	1	
12	253409120147	ASSY. FUEL LINE (FILTER TO FIP)	1	

CHASSIS TYPE: ALL



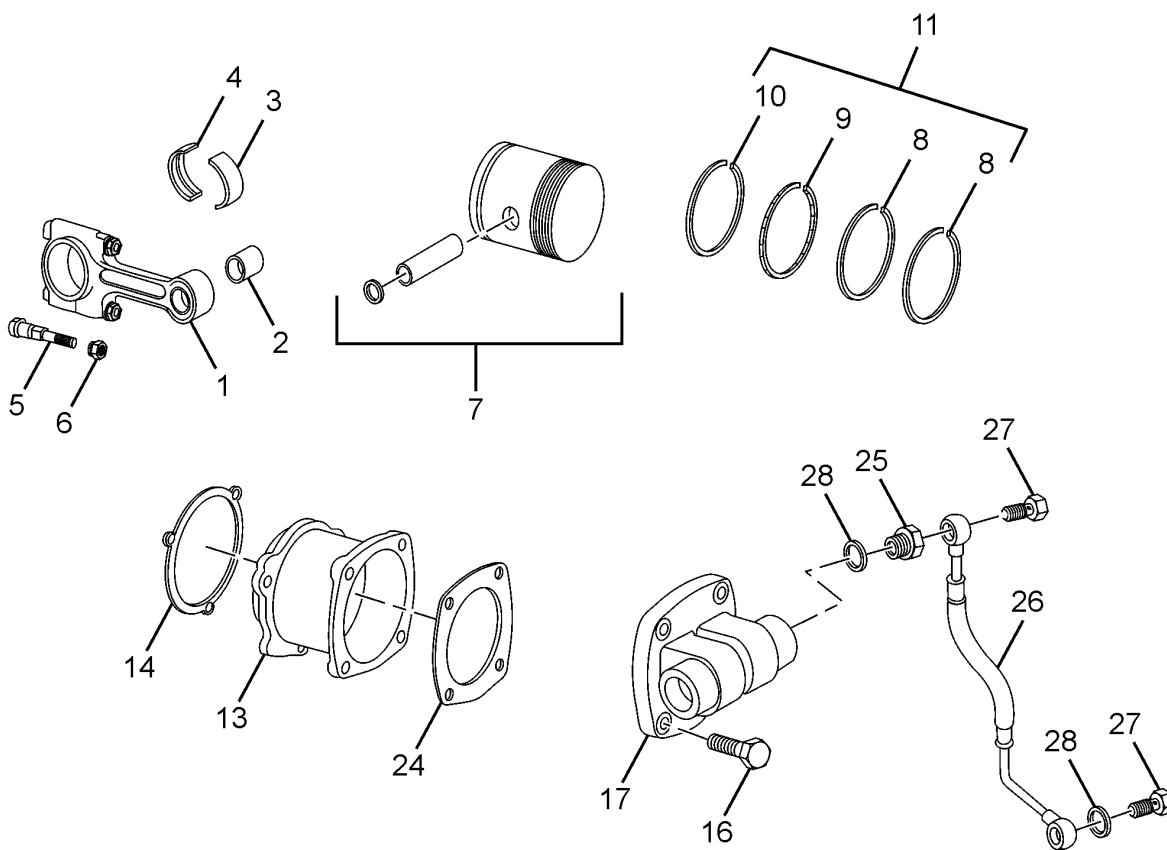
00.09.02		FUEL FILTER (MICO)		GROUP 09	
CHASSIS TYPE: ALL					
FIG. NO.	PART NUMBER	DESCRIPTION	QTY	REMARKS	
1	9450030116	ASSY.FUEL FILTER	1	TML PT. NO. 254709110106	
2	9451037407	MICRO SUPER FILTER INSERT (COIL TYPE)	1	OPTIONAL	
2	9451037405	MICRO SUPER FILTER INSERT (STAR TYPE)	1	OPTIONAL	
3	9451037404	PRE FILTER INSERT	1		
4	9451035558	FILTER COVER ASSY	1		
5	9451030109	SEALING RING	2		

CHASSIS TYPE: ALL



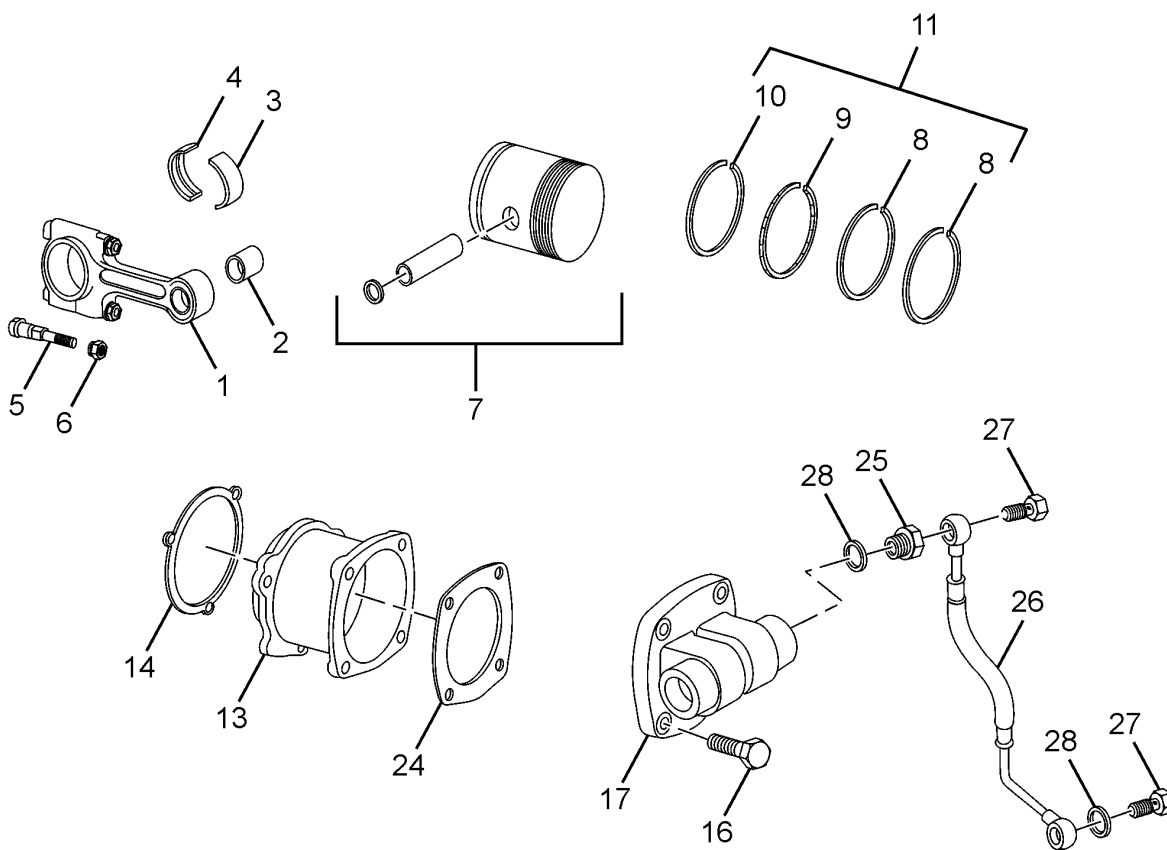
00.09.03		AIR FILTER		GROUP 09	
CHASSIS TYPE: ALL					
FIG. NO.	PART NUMBER	DESCRIPTION	QTY	REMARKS	
1	253409130233	ASSY.AIR FILTER COMPLETE	1	OPTIONAL	
1	252709130275	ASSY.AIR FILTER COMPLETE	1	OPTIONAL	
2	252309130222	FILTER ELEMENT	1	F2	
2	252709130256	FILTER ELEMENT	1	FOR ASSY. 252709130275	
10	252309130223	SAFETY CARTRIDGE	1	FOR ASSY. 253409130233	
10	252709130255	SAFETY CARTRIDGE	1	FOR ASSY. 252709130275	
3	254709130135	SERVICE INDICATOR	1		
4	253409130206	ASSY. BRACKET	2		
5	253409130207	ASSY. SHACKLE	1		
6	253409139902	RUBBER STRAP (188 MM LONG)	2		
7	253409139903	RUBBER STRAP (270 MM LONG)	2		
8	252709135867	HOSE (AIR FILTER TO INT.PIPE)	1		
9	252709130289	ASSY.INTERMEDIATE PIPE(W/O S-CAM)	1		
10	252709130281	ASSY CLAMP (FOR AIR INTAKE PIPE):LP/LPT	1		
11	252709135866	HOSE (INT.PIPE TO PIPE)	1		
12	253409136933	PIPE (AIR FILTER TO TC)	1		
15	14280599299	HOSE CLAMP TB 80	5		
16	253409135836	HOSE (PIPE TO TC) THL	1	FOR HOLSET TURBO	
16	252709135862	HOSE (PIPE TO TC -KKK)	1	KKK/HONEYWELL TURBO	
17	14280599191	HOSE CLAMP TB40 SAE-J1508	1		

CHASSIS TYPE: ALL



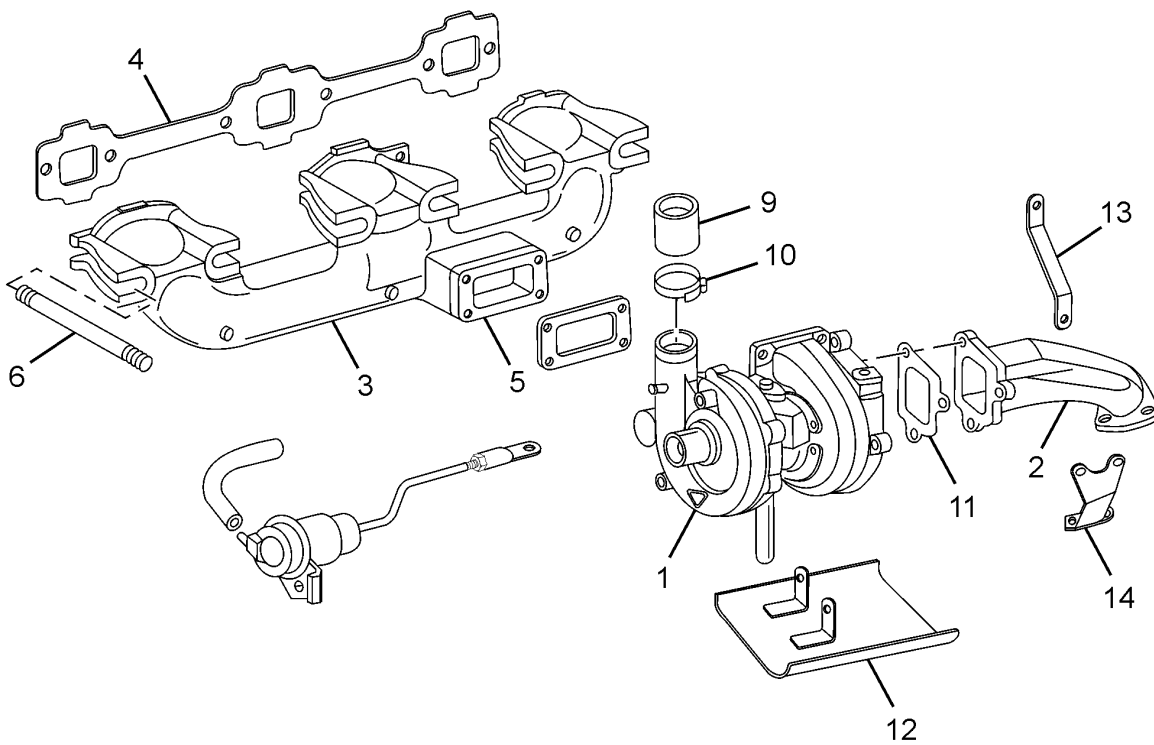
00.13.01		AIR SUCTION UNIT		GROUP 13
CHASSIS TYPE: ALL				
FIG. NO.	PART NUMBER	DESCRIPTION	QTY	REMARKS
1	3211300416	ASSY. CONNECTING ROD (AIR COMPRESSOR)	1	
2	885413102534	SET CONNECTING ROD BUSH STD	1	
—	885413062534	SET CONNECTING ROD BEARING STD, CONSISTING OF :	1	
3		CONNECTING ROD BEARING UPPER STD	1	
4		CONNECTING ROD BEARING LOWER STD	1	
—	885413082534	SET CONNECTING ROD BEARING RS 1, CONSISTING OF :	1	
3		CONNECTING ROD BEARING UPPER RS1	1	
4		CONNECTING ROD BEARING LOWER RS1	1	
—	885413092534	SET CONNECTING ROD BEARING RS 2, CONSISTING OF :	1	
3		CONNECTING ROD BEARING UPPER RS2	1	
4		CONNECTING ROD BEARING LOWER RS2	1	
5	3211310171	GUIDE SCREW	2	
6	3129900251	HEX. NUT (BALL PIN ROCKER ARM)	8	
7	252313140124	ASSY PISTON AIR COMPRESSOR	1	
11	252313140127	SET AC PISTON RINGS 70 DIA STD	1	SET A, OPTIONAL TO B
8		COMPRESSION RING (GR. I & II)	2	
9		NOSE SCRAPER RING GR. III	1	
10		OIL RING GR. IV NORMAL	1	
11	253413990101	SET AC PISTON RINGS 70 DIA STD	1	SET B, OPTIONAL TO A
8		COMPRESSION RING (GR. I & II)	2	
9		SCRAPPER RING NORMAL	1	
10		OIL RING GR. IV NORMAL	1	
13	252313103710	CYLINDER SLEEVE NORMAL	1	
14	252713105312	GASKET (0.5 THK)	1	
16	3529900604	HEX. HEAD COLLAR BOLT	3	
17	253313100102	ASSY.CYLINDER HEAD AIR SUCTION UNIT	1	
24	252313105301	GASKET	1	OPTIONAL
24	3121310179	GASKET	1	OPTIONAL

CHASSIS TYPE: ALL



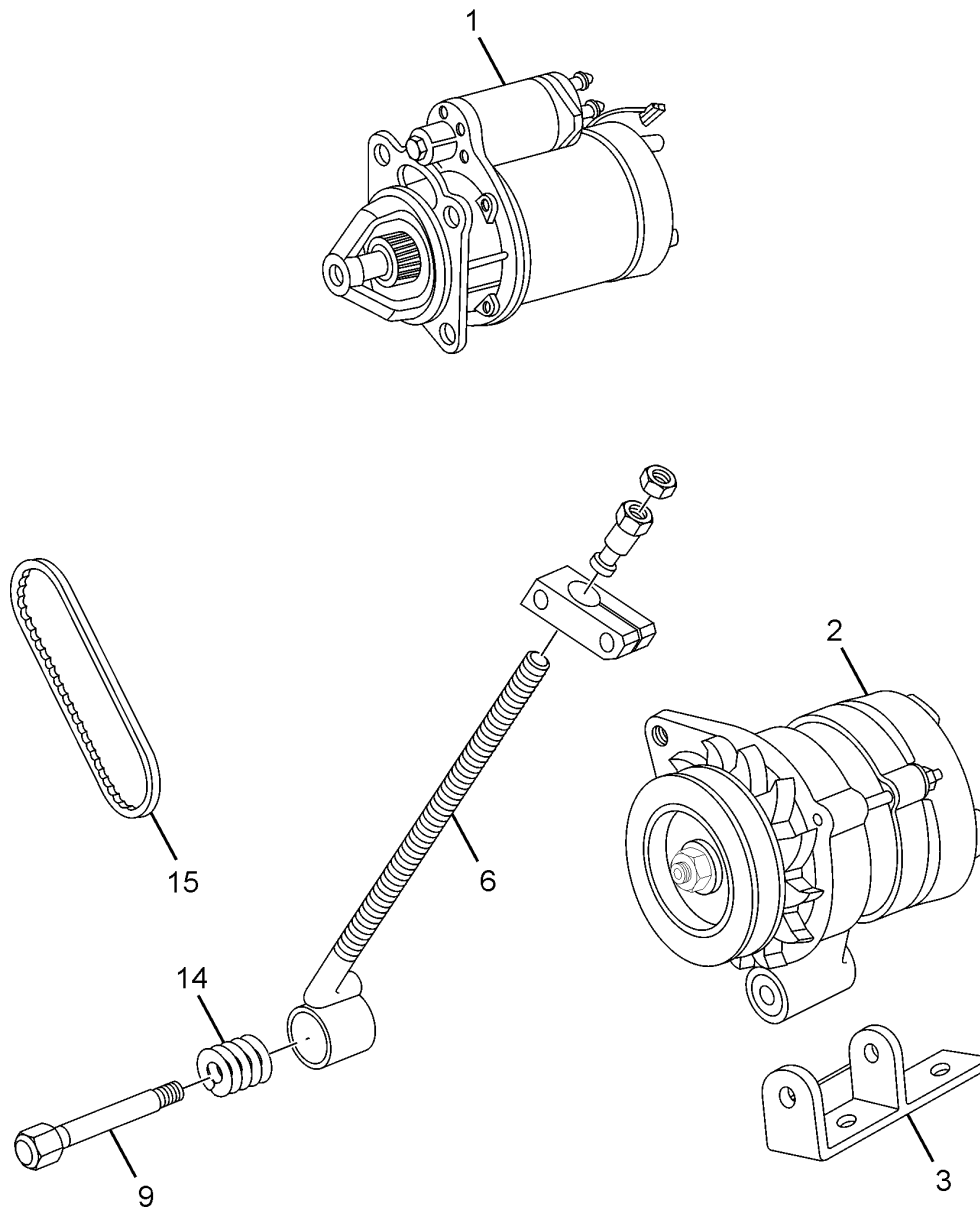
00.13.01		AIR SUCTION UNIT		GROUP 13	
CHASSIS TYPE: ALL					
FIG. NO.	PART NUMBER	DESCRIPTION	QTY	REMARKS	
25	253413106802	REDUCER	1		
26	253413100103	ASSY. OIL LINE	1		
27	16531999049	PIPE UNION BOLT 10	4		
28	16220510216	SEALING WASHER 14X18 AL	4		

CHASSIS TYPE: ALL



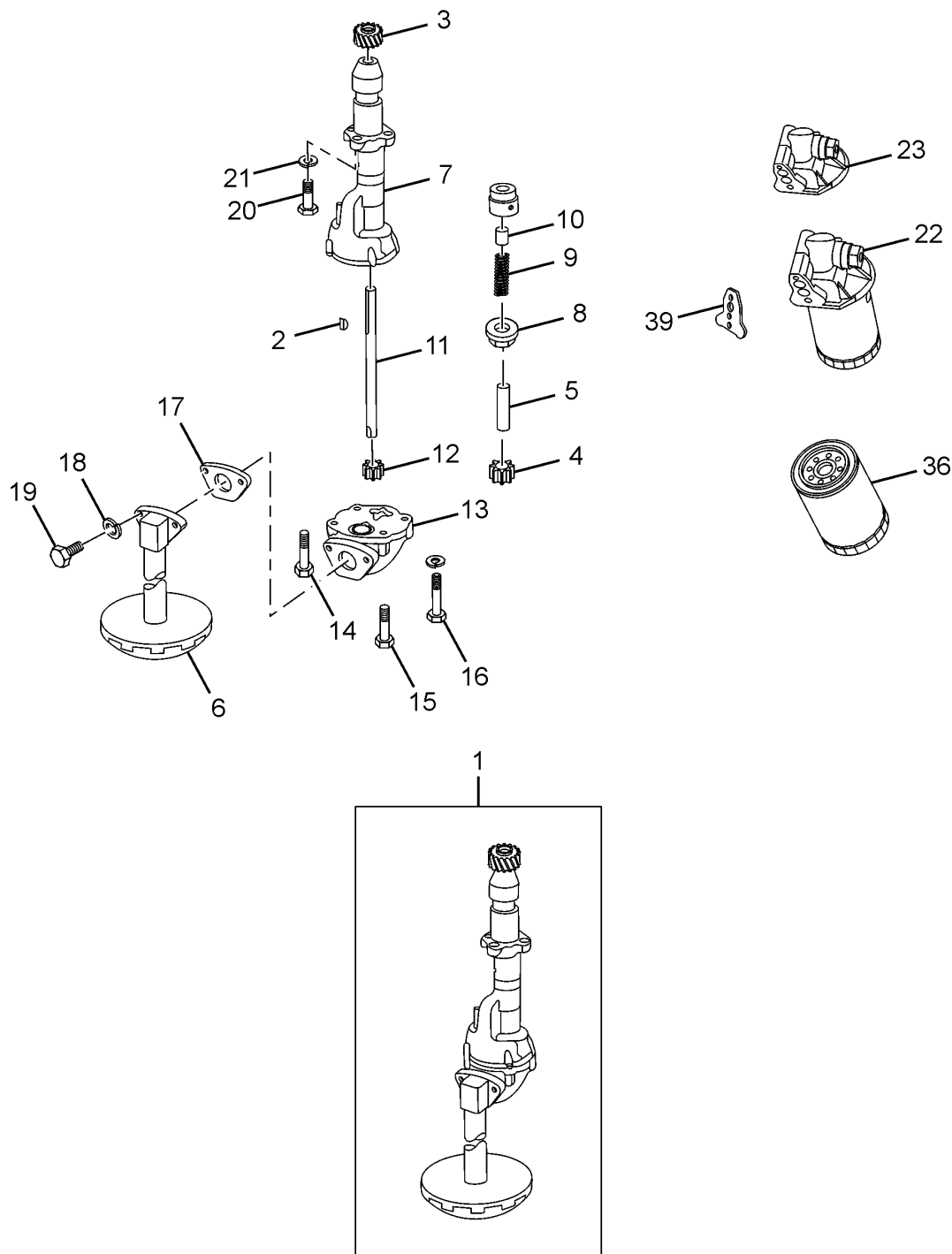
00.14.01		EXHAUST MANIFOLD AND TURBOCHARGER		GROUP 14
CHASSIS TYPE: ALL				
FIG. NO.	PART NUMBER	DESCRIPTION	QTY	REMARKS
1	253414510117	TURBOCHARGER (HOLSET)	1	OPTIONAL AS A SET
1	253414510107	TURBOCHARGER K16 (KKK)	1	OPTIONAL
1	253414510116	TURBOCHARGER (HONEYWELL)	1	OPTIONAL
2	252714113710	INTERMEDIATE PIPE (KKK)	1	FOR KKK/HONEYWELL TURBO
2	253414113709	INTERMEDIATE PIPE (HOLSET)	1	FOR HOLSET TURBO
3	252714113711	EXHAUST MANIFOLD (KKK)	1	FOR KKK/HONEYWELL TURBO
3	253414113708	EXHAUST MANIFOLD (HOLSET)	1	FOR HOLSET TURBO
4	252414115304	GASKET EXHAUST MANIFOLD	1	
—	254714116503	CLINCH NUT (SIMMONDS MARSHALL)	4	
5	252714115307	GASKET (EXHAUST MANIFOLD TO TURBO CHARGER) (KKK)	1	FOR KKK/HONEYWELL TURBO
5	253414115305	GASKET (EXHAUST MANIFOLD TO TURBO CHARGER) (HOLSET)	1	FOR HOLSET TURBO
6	11632408350	STUD BM 8X35	4	
9	253409135827	RUBBER HOSE	1	
10	254714604215	HOSE CLAMP 65	2	
11	252714115304	GASKET (TC TO INTRERMEDIATE PIPE)	1	FOR KKK/HONEYWELL TURBO
11	253414115306	GASKET (TC TO INTERMEDIATE PIPE)	1	FOR HOLSET TURBO
12	253414130108	ASSY. HEAT SHIELD (STARTER)	1	FOR KKK/HONEYWELL TURBO
12	253414130113	ASSY. HEAT SHIELD (STARTER)	1	FOR HOLSET TURBO
13	253414118202	SUPPORT BRACKET	1	FOR KKK/HONEYWELL TURBO
13	253414118204	SUPPORT BRACKET	1	FOR HOLSET TURBO
14	253414110109	ASSY. BRACKET (SUPPORT FOR INTERMEDIATE PIPE)	1	
—	253414990102	REPAIR KIT FOR TURBOCHARGER HX-25 (HOLSET) CONSISTING OF :	1	
		JOURNAL BEARING	2	
		THRUST BEARING	1	
		SPLIT SEAL RING	1	
		SPLIT SEAL RING (COMPRESSOR)	1	
		'O' RING (BEARING HOUSING)	1	
		'O' RING (COMPRESSOR)	1	
		LOCK NUT (COMPRESSOR WHEEL)	1	
		RETAINING RING	2	

CHASSIS TYPE: ALL



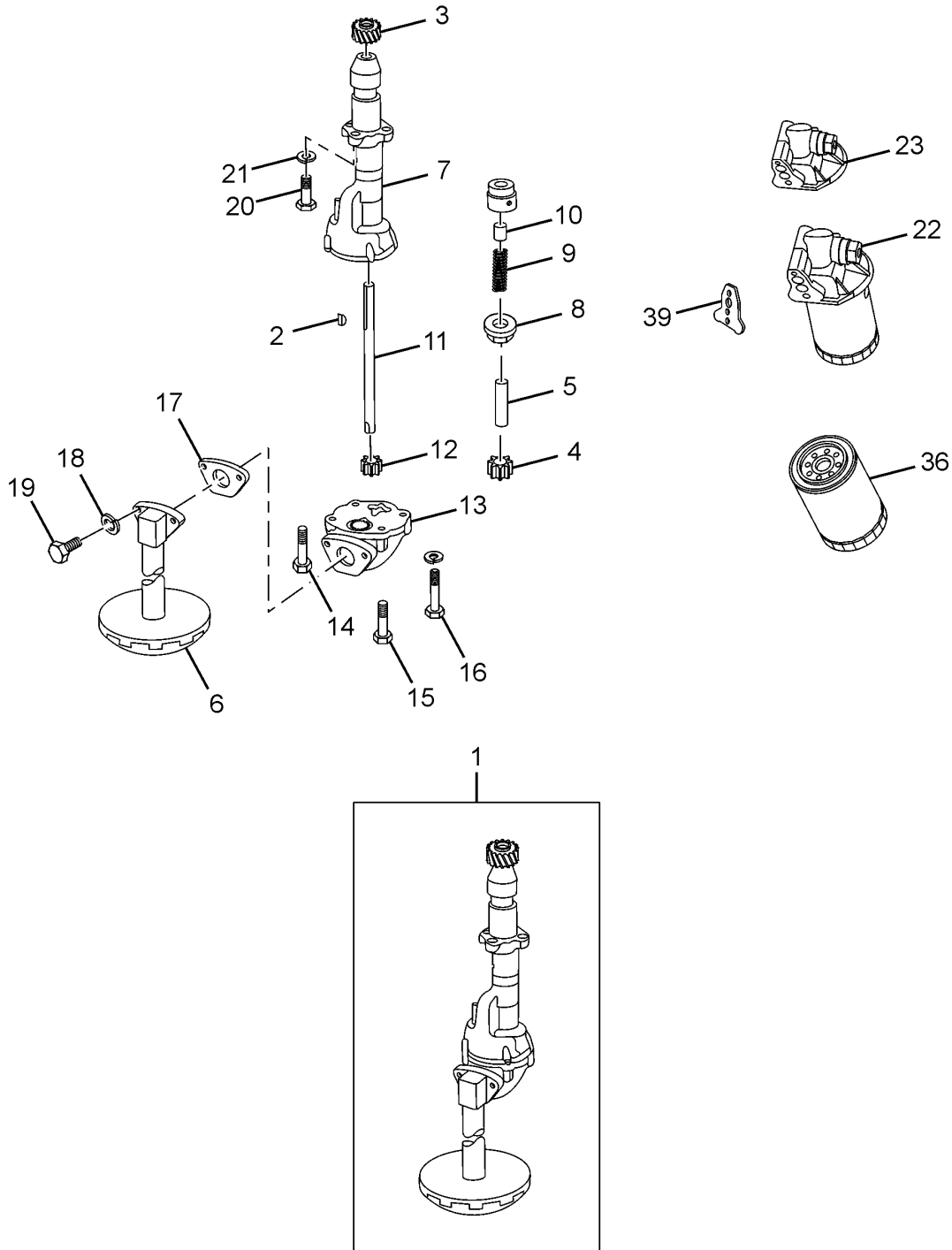
00.15.01		STARTER AND ALTERNATOR		GROUP 15
CHASSIS TYPE: ALL				
FIG. NO.	PART NUMBER	DESCRIPTION	QTY	REMARKS
1	265115100102	STARTER MOTOR 6M14,M/S LUCAS TVS	1	
2	264015400107	ALTERNATOR 14V,65 AMPS,2 GR.PULLEY(MICO)	1	OPTIONAL
2	257315100108	ALTERNATOR (TWIN GROOVE) 12V65A (LUCAS)	1	OPTIONAL
3	253415140104	ASSY BRACKET ALT MTG FOR MICO ALTERNATOR	1	FOR MICO ALTERNATOR
3	253315143702	BRACKET (FOR 65AMP ALTERNATOR) FOR LUCAS ALTERNATOR	1	FOR LUCAS ALTERNATOR
6	252415140110	ASSY CLAMP ROD COMPLETE WITH CLAMPING PIECE	1	FOR MICO ALTERNATOR
6	253315140109	ASSY CLAMP ROD COMPLETE WITH CLAMPING PIECE	1	FOR LUCAS ALTERNATOR
9	3121550174	BOLT (FOR FIXING ALTERNATOR)	1	
14	3129932801	SPRING ALTERNATOR	1	
15	253420156302	NARROW V BELT 1185 LG COGGED TYPE	2	OPTIONAL
15	253420156327	COGGED BELT(1185 LENGTH)	2	OPTIONAL

CHASSIS TYPE: ALL



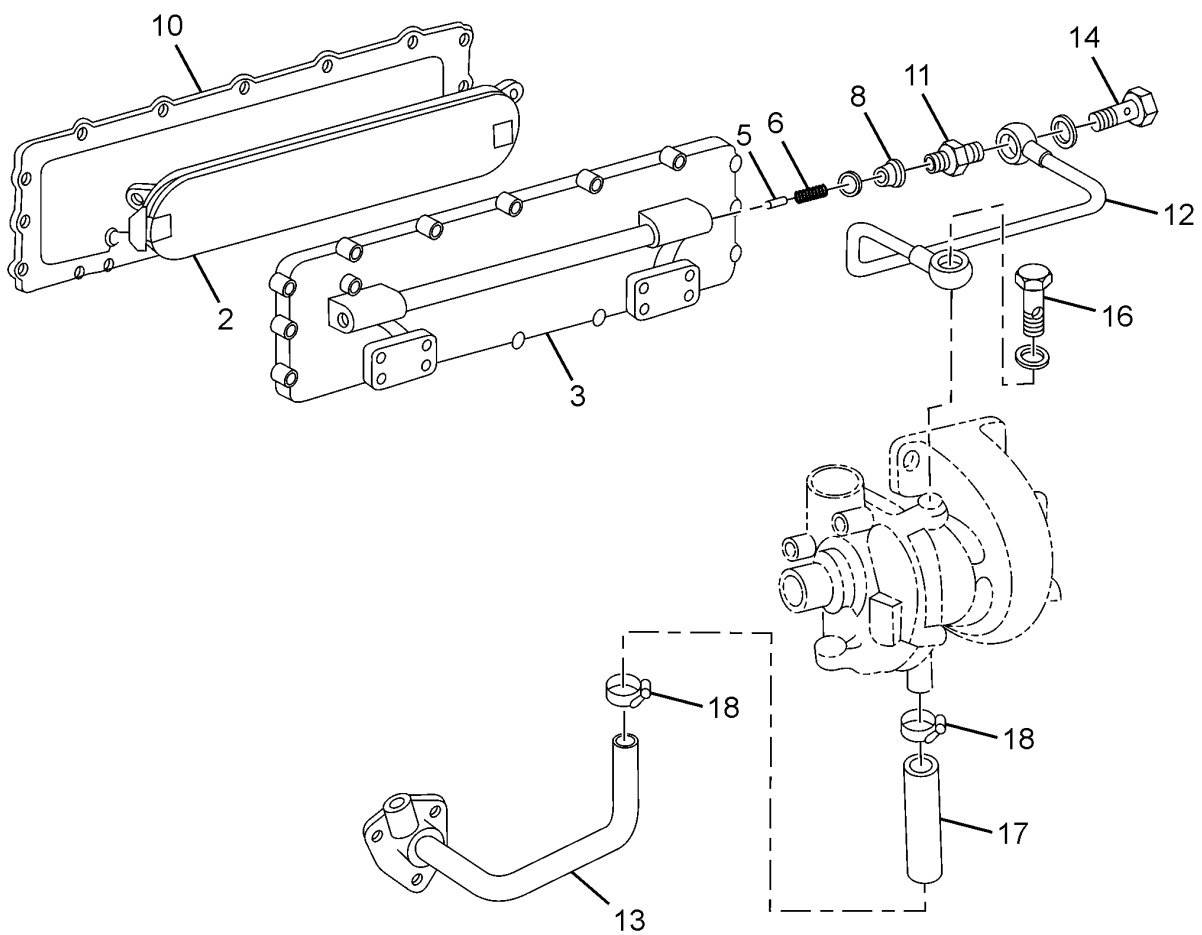
00.18.01		OIL PUMP		GROUP 18
CHASSIS TYPE: ALL				
FIG. NO.	PART NUMBER	DESCRIPTION	QTY	REMARKS
1	253418100123	ASSY. OIL PUMP COMPLETE	1	
2	13650505055	WOODRUFF KEY 3X6.5	2	
3	3121810308	DRIVE GEAR OIL PUMP	1	
4	252318105409	OIL PUMP GEAR (DRIVEN)	1	
5	252318107901	SHAFT DRIVEN GEAR	1	
6	252418150105	STRAINER	1	
7	253318103701	OIL PUMP HOUSING	1	
8	3529970730	PLUG PRESSURE RELIEF VALVE	1	
—	3521840329	VALVE HOUSING PRESSURE RELIEF VALVE	1	
9	3269930401	SPRING PRESSURE RELIEF VALVE	1	
10	3211810042	PLUNGER PRESSURE RELIEF VALVE	1	
11	252718107901	DRIVE SHAFT OIL PUMP	1	
12	252318105410	OIL PUMP GEAR (DRIVE SHAFT)	1	
13	3521811220	OIL PUMP COVER	1	
14	11324196031	HEX SCREW M8X22 OIL PUMP COVER TO HOUSING	2	
15	11064096038	HEX SCREW M8X45 OIL PUMP COVER TO HOUSING	1	
16	11064096011	HEX SCREW M8X35 OIL PUMP COVER TO HOUSING	1	
17	3121860080	GASKET	1	
18		SPRING WASHER B 8 STRAINER TO OIL PUMP	2	
19	11324196023	HEX SCREW M8X20 STRAINER TO OIL PUMP	2	
20	11342408283	SCREW M8X28 OIL PUMP TO CRANKCASE	3	
21		SPRING WASHER B 8 OIL PUMP TO CRANKCASE	2	
—	885418012523	KIT, OIL PUMP GEAR CONSISTING OF :	1	
4		OIL PUMP GEAR (DRIVEN)	1	
12		OIL PUMP GEAR (DRIVE SHAFT)	1	
		OIL FILTER		
22	253418130166	LUBE OIL FILTER ASSY:SPINON:4SP BS3:FLG	1	
23	253418130173	HEAD ASSY:4SP-FLEETGUARD-III:SPINON	1	
36	253418130169	ASSY.OIL FILTER (SPIN ON) M/S FLEETGUARD	1	

CHASSIS TYPE: ALL



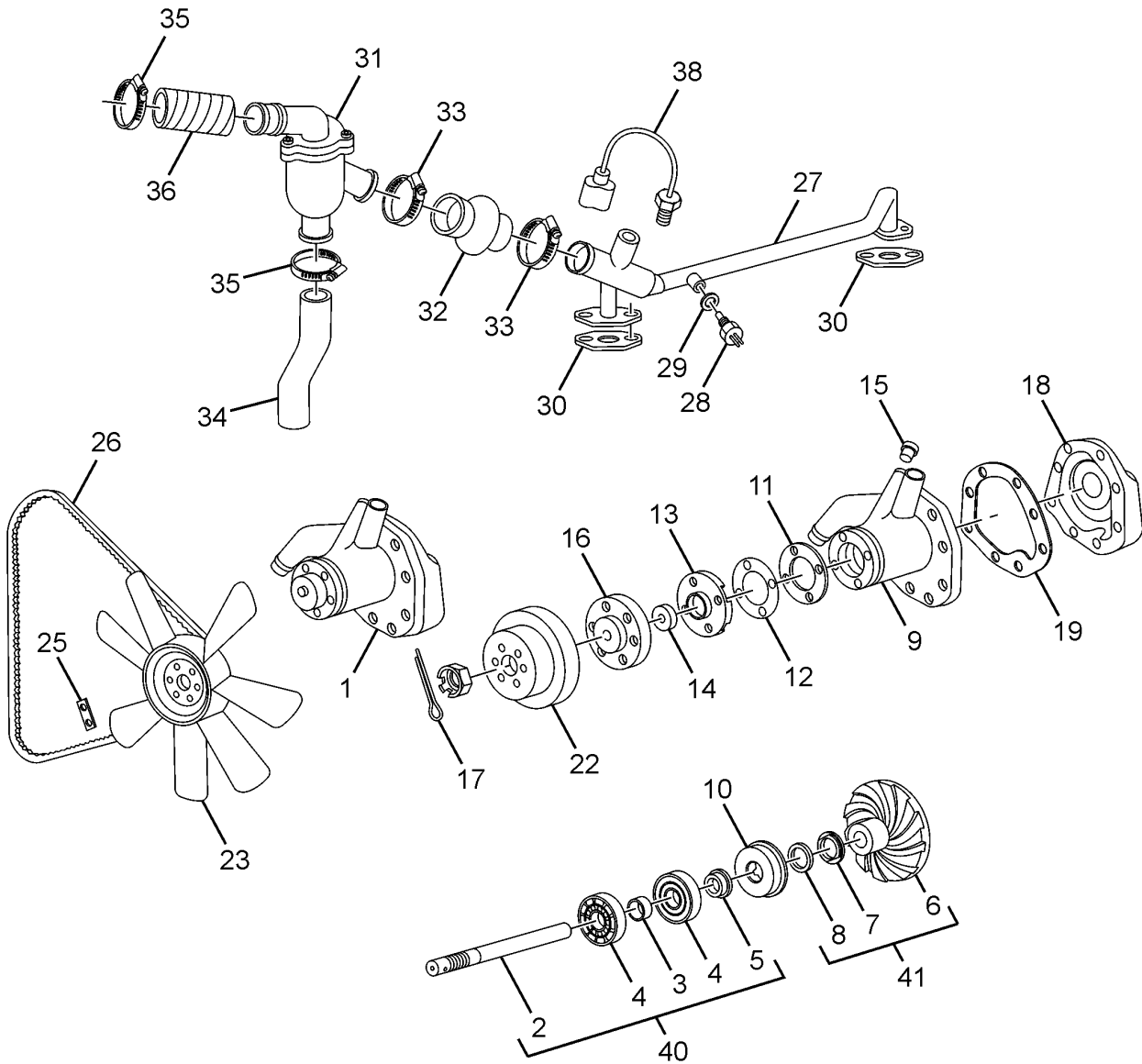
00.18.01		OIL PUMP		GROUP 18	
CHASSIS TYPE: ALL					
FIG. NO.	PART NUMBER	DESCRIPTION	QTY	REMARKS	
—	265454500139	OIL PRESSURE SWITCH	1		
39	253418135301	GASKET (OIL FILTER TO CYL BLOCK):BS-III	1		

CHASSIS TYPE: ALL



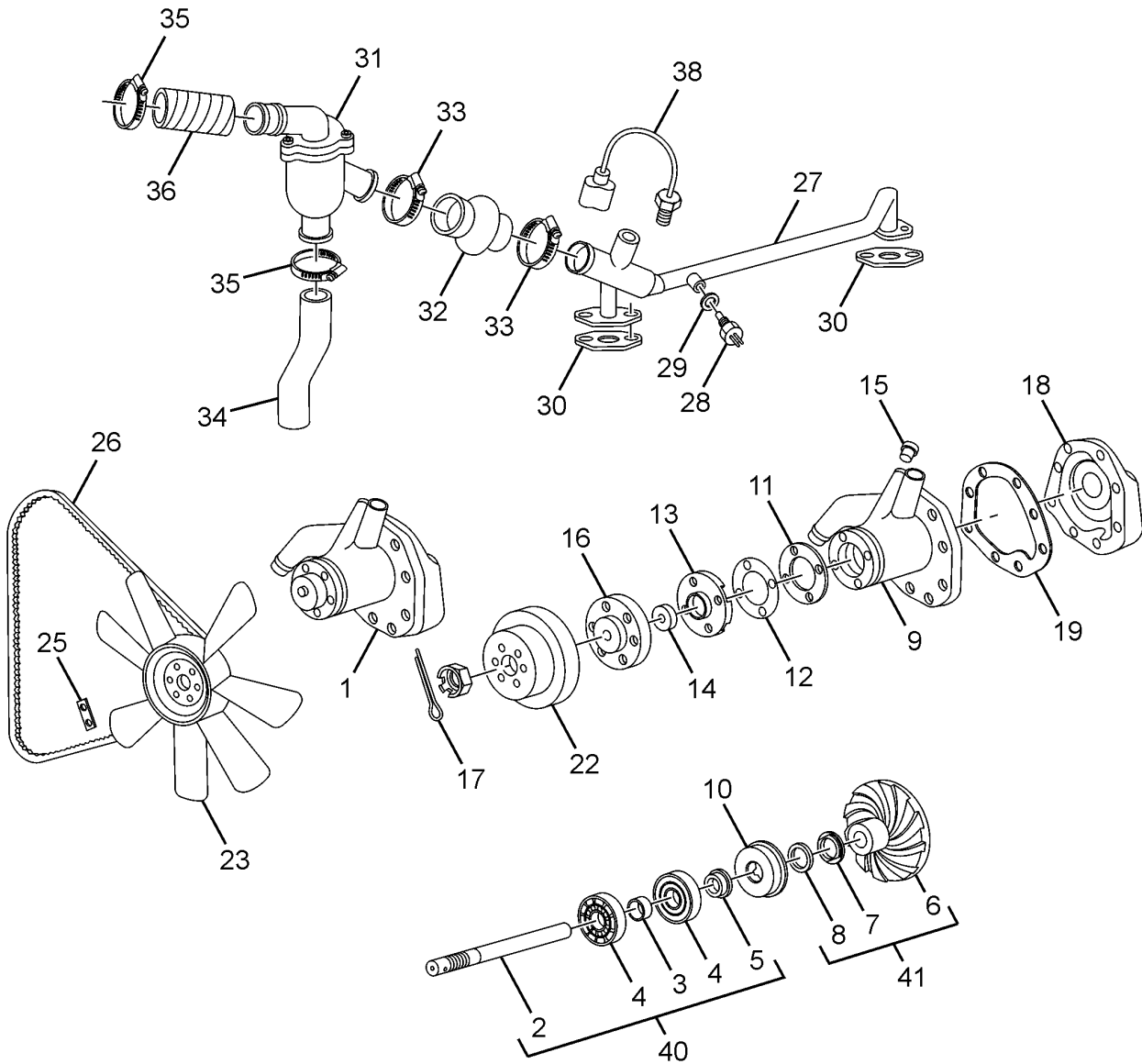
00.18.02		ENGINE LUBRICATION(OIL COOLER)		GROUP 18	
CHASSIS TYPE: ALL					
FIG. NO.	PART NUMBER	DESCRIPTION	QTY	REMARKS	
2	253418170117	ASSY. PLATE TYPE HEAT EXCHANGER	1		
3	253418173708	OIL COOLER COVER	1		
—	253418178001	COLLER SCREW	4		
5	253418179001	PLUNGER BY - PASS VALVE	1		
6	252018138701	SPRING PRESSURE RELIEF VALVE	1		
8	253418177206	SEALING PLUG BY - PASS VALVE	1		
10	253418175304	GASKET (OIL COOLER)	1		
11	253418177204	ADAPTOR	1		
12	253418170127	ASSY. OIL LINE (OIL COOLER TO TC)	1	FOR KKK/HONEYWELL TURBO	
12	253418170126	ASSY. OIL LINE (OIL COOLER TO T.C.)	1	HOLSET TURBO	
13	253418170128	ASSY FLANGE (TC OUTLET TO SUMP)	1		
—	253418175305	GASKET (TC OUTLET)	1		
14	253418173201	PIPE UNION BOLT	1		
16	253418179906	PIPE UNION BOLT	1	FOR KKK/HONEYWELL TURBO	
16	16531999031	PIPE UNION BOLT 8 M12X1.5 TS16405	1	HOLSET TURBO	
—	252718177201	ADAPTOR (T.C. TO OIL SUMP)	1		
17	253418175813	HOSE(OIL RETURN TO BLOCK)4SP BS-II THL	1	HOLSET TURBO	
17	253418175812	HOSE (OIL RETURN TO BLK)4SP BSII TEL/HON	1	FOR KKK/HONEYWELL TURBO	
18	254720124214	HOSE CLAMP (32 DIA)	2		

CHASSIS TYPE: 357175; 357174



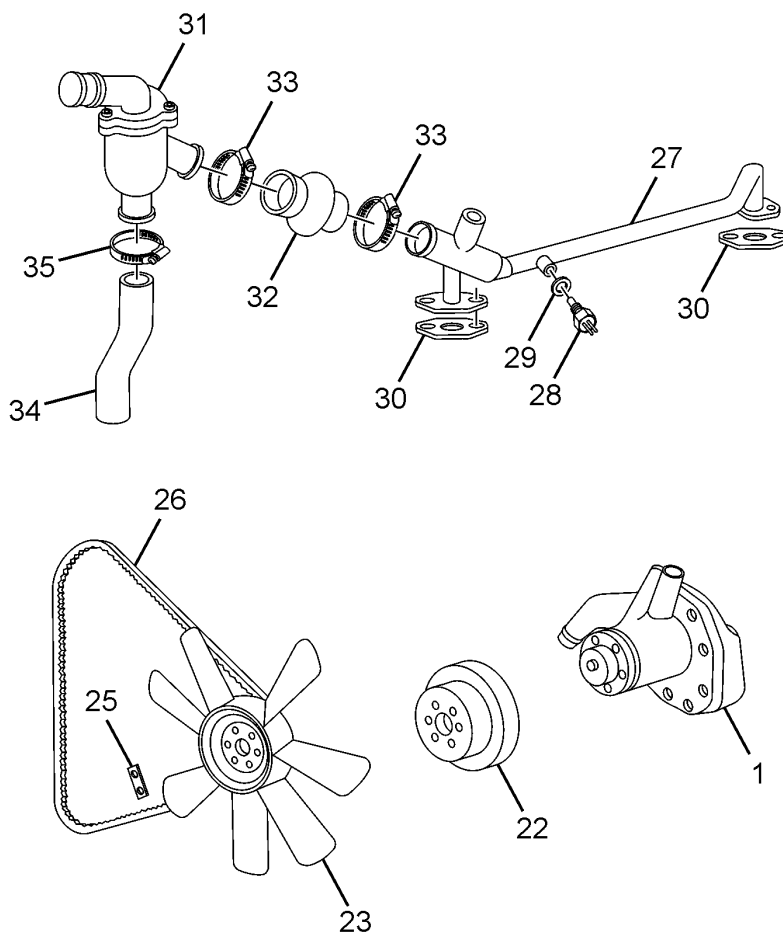
00.20.01		WATER PUMP		GROUP 20
CHASSIS TYPE: 357175; 357174				
FIG. NO.	PART NUMBER	DESCRIPTION	QTY	REMARKS
1	253420100120	ASSY.WATER PUMP	1	
2	253420107902	SHAFT (WATER PUMP)	1	
3	3122010153	SPACER TUBE	1	
4	9819905	CONICAL ROLLER BEARING	2	
5	253420107801	OIL SEAL	1	
6	253420103711	IMPELLER	1	
7	2010197	SEALING MEMBER	1	
8	2010463	SLIDE RING	1	
9	253420103705	WATER PUMP HOUSING.	1	
10	2013619	AXIAL SLIDE RING	1	
11	3122010580	GASKET WATER PUMP	1	
12	3122010852	SHIM 0.1 MM THICK	AR	
13	3122000460	ASSY. PACKING HOLDER	1	
14	253420107801	OIL SEAL	1	
—	3122010758	BRACKET SEALING RING	1	
15	3122000098	ASSY. GREASE CAP	1	
16	253420105103	HUB (WATER PUMP)	1	
17	13150608222	SPLIT PIN 3.2X22	1	
18	253420103703	WATER PUMP BACK COVER	1	
19	253420105302	GASKET	1	
22	253320137003	WATER PUMP PULLEY	1	
23	253420140101	ASSY. FAN (PLASTIC MOULDED)	1	
25	3129940330	LOCK PLATE	3	
26	253420156302	NARROW V BELT 1185 LONG (COGGED)	1	
27	253420120135	ASSY.U.C.W.LINE(WITH H.D.& THRMO SWITCH)	1	
28	263254209903	TEMPERATURE TRANSDUCER	1	
29	16220510216	SEALING WASHER 14X18 AL	1	
30	252020125301	GASKET	2	
31	252720120141	ASSY. THERMOSTAT	1	
32	253450005801	RUBBER BELLOW	1	
33	254750104222	HOSE CLAMP	2	
34	253420125806	RUBBER HOSE (THERMOSTAT TO WATER PUMP)	1	
35	252750104208	HOSE CLAMP 34	2	
36	252550005812	RUBBER HOSE (RADIATOR TOP TO THERMOSTAT)	1	
38	264154509908	TEMPERATURE SWITCH	1	
		REPAIR KITS		

CHASSIS TYPE: 357175; 357174



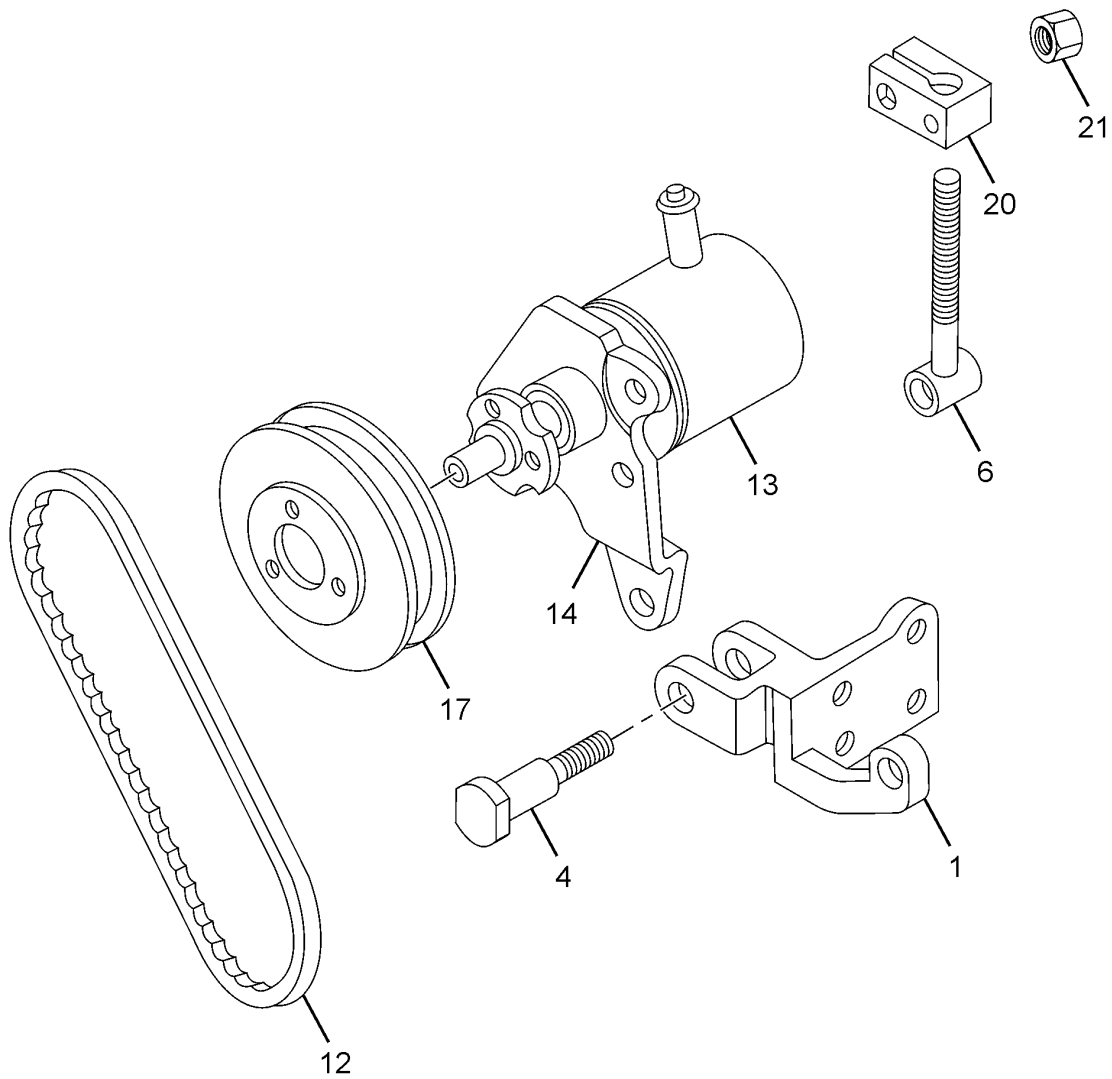
00.20.01		WATER PUMP		GROUP 20
CHASSIS TYPE: 357175; 357174				
FIG. NO.	PART NUMBER	DESCRIPTION	QTY	REMARKS
—	253420990105	REPAIR KIT (MAJOR) FOR WATER PUMP CONSISTING OF :	1	
40		ASSY. WATER PUMP SHAFT	1	
41		ASSY. IMPELLER	1	
10		AXIAL SLIDE RING	1	
—		GASKET (WATER PUMP)	1	
19		GASKET (BACK COVER)	1	
13		ASSY. PACKING HOLDER	1	
12		SHIM 0.05 MM THICK	1	
17		SPLIT PIN 3.2X22	1	
11		GASKET (WATER PUMP)	1	
—	253420990104	REPAIR KIT (MINOR) FOR WATER PUMP CONSISTING OF :	1	
—		GASKET	1	
19		GASKET	1	
10		AXIAL SLIDE RING	1	
8		SLIDE RING	1	
7		SEALING MEMBER	1	
11		GASKET	1	
17		SPLIT PIN 3.2X22 ST.	1	

CHASSIS TYPE: 357171; 357172; 357173



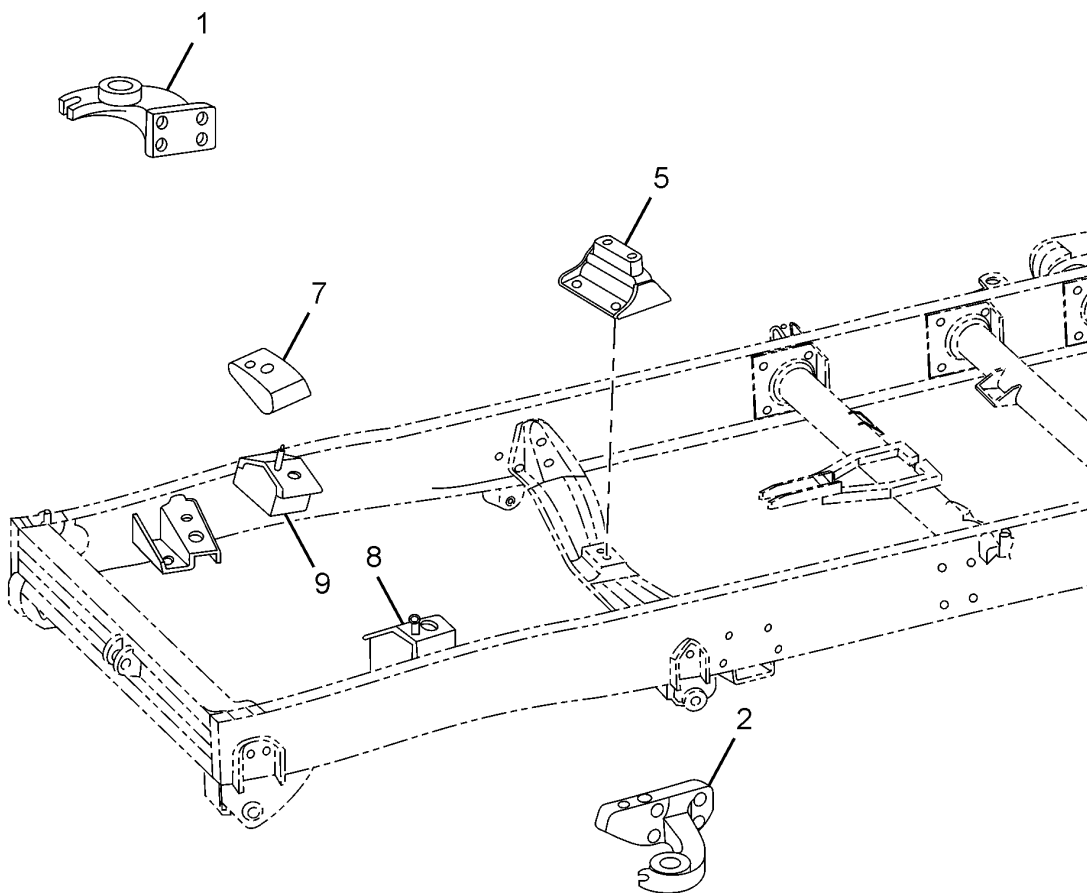
00.20.02		WATER PUMP		GROUP 20	
CHASSIS TYPE: 357171; 357172; 357173					
FIG. NO.	PART NUMBER	DESCRIPTION	QTY	REMARKS	
1	253420100130	ASSY.WATER PUMP	1		
-	253420105301	GASKET	1		
22	253320137003	WATER PUMP PULLEY	1		
23	254720140101	ASSY. FAN (PLASTIC MOULDED) (418 DIA.)	1		
-	253420143801	FAN SPACER-15	1		
25	3129940330	LOCK PLATE	3		
26	253420156302	NARROW V BELT 1185 LG COGGED TYPE	2		
27	253420120108	ASSY.UPPER COOLING WATER LINE	1		
28	263254209903	TEMP. TRANSDUCER	1		
29	16220510216	SEALING WASHER 14X18 AL	1		
30	252020125301	GASKET (UPPER COOLING LINE)	2		
31	253420120143	ASSY.THERMOSTATE(83 DEG.)-EURO-III	1		
32	253450005801	RUBBER BELLOW (U.C. LINE TO THERMOSTAT)	1		
33	254750104222	HOSE CLAMP (50 MM DIA.) BS I	2		
34	253450105828	RUBBER HOSE (THERMOSTAT TO WATER PUMP)	1		
35	252750104208	HOSE CLAMP (34 DIA.)	2		

CHASSIS TYPE: 357171; 357172; 357173



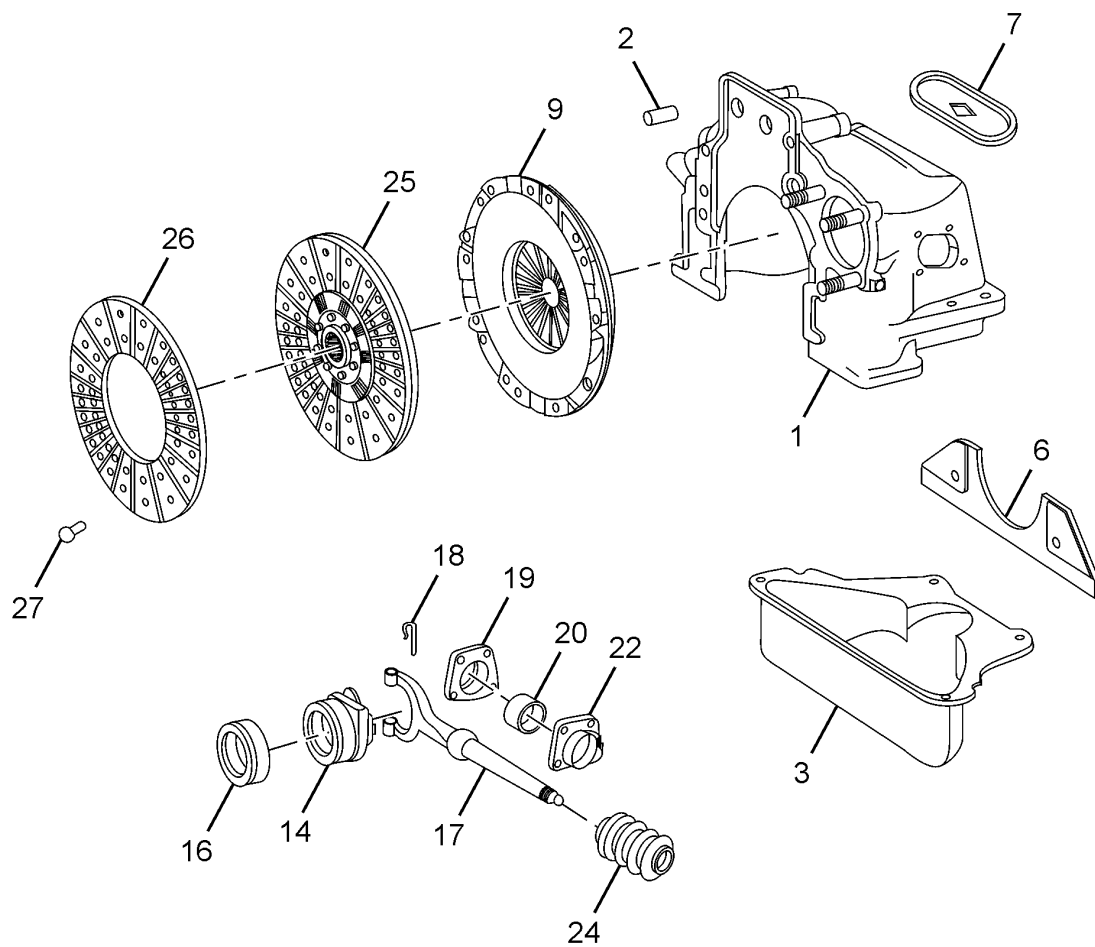
00.23.01		POWER STEERING PUMP MOUNTING		GROUP 23	
CHASSIS TYPE: 357171; 357172; 357173					
FIG. NO.	PART NUMBER	DESCRIPTION	QTY	REMARKS	
1	253423400131	ASSY BRACKET (POWER STEERING MOUNTING)	1		
4	252523116704	PIN	1		
-	12140501202	NYLOCK NUT M 12	1		
6	253423400136	ASSY. TENSIONER (P/S-PUMP)	1		
12	253420156330	V BELT -950 LG	1		
13	264146800144	ASSY.STEERING.PUMP-ZF CP1	1		
14	253423400137	ASSY. BRACKET (FOR POWER STRG. PUMP)	1		
17	253423407007	PULLEY (FOR POWER STEERING PUMP)	1		
20	3141550228	CLAMPING PIECE	1		
21	3521550272	CLAMPING NUT	1		

CHASSIS TYPE: ALL



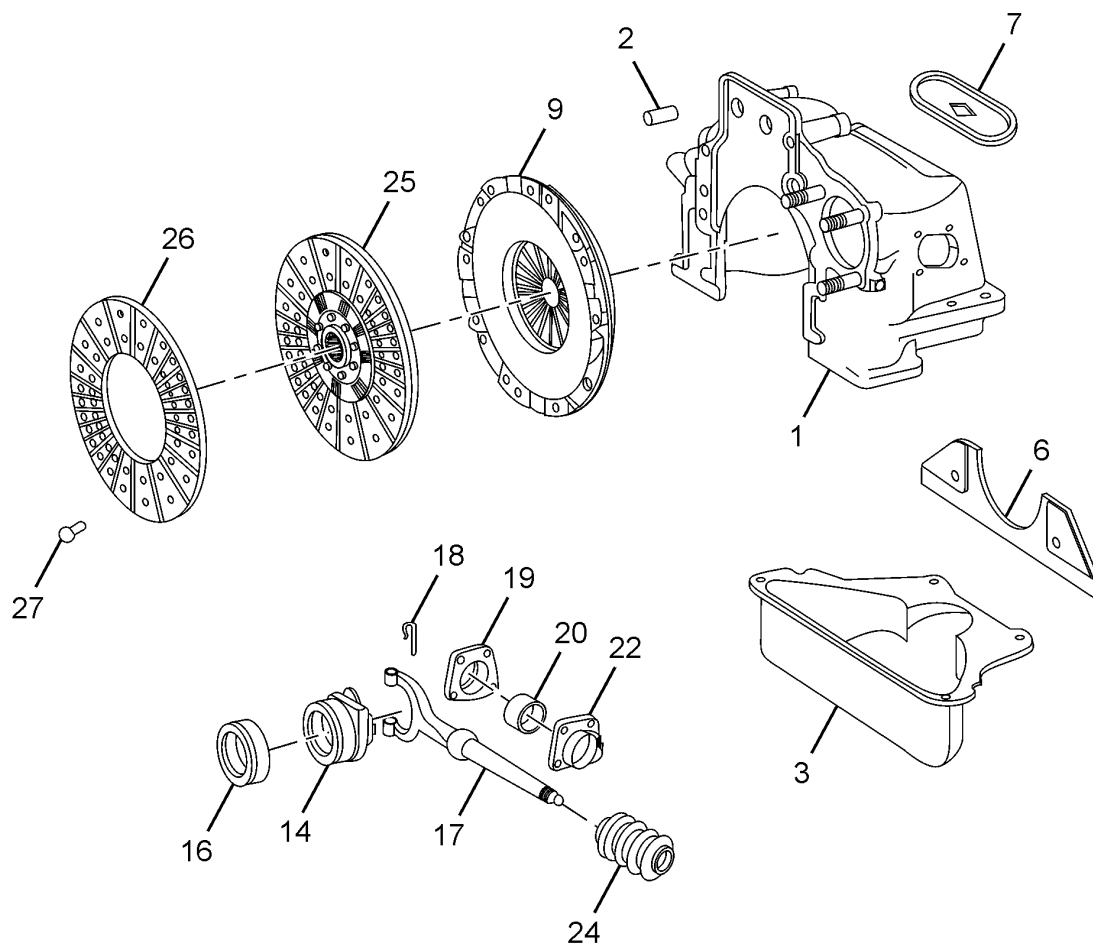
00.24.01		ENGINE SUSPENSION		GROUP 24	
CHASSIS TYPE: ALL					
FIG. NO.	PART NUMBER	DESCRIPTION	QTY	REMARKS	
1	253422125105	FRONT ENGINE SUPPORT LEFT	1		
2	253422125104	FRONT ENGINE SUPPORT RIGHT	1		
5	265124200102	ASSY. ENGINE MOUNTING REAR	1		
-	265124208204	OIL BAFFLE	1		
7	264124108211	COVER ENGINE MOUNTING FRONT (RH)	1		
8	264124100109	ASSY. ENGINE MOUNTING FRONT (RH)	1		
9	264124100110	ASSY. ENGINE MOUNTING FRONT (LH)	1		
—	265124100113	KIT FOR ENGINE MOUNTING PAD CONSISTING OF :	1		
8		ASSY. ENGINE MOUNTING FRONT RH	1		
9		ASSY. ENGINE MOUNTING FRONT LH	1		
5		ASSY. ENGINE MOUNTING REAR	1		

CHASSIS TYPE: ALL



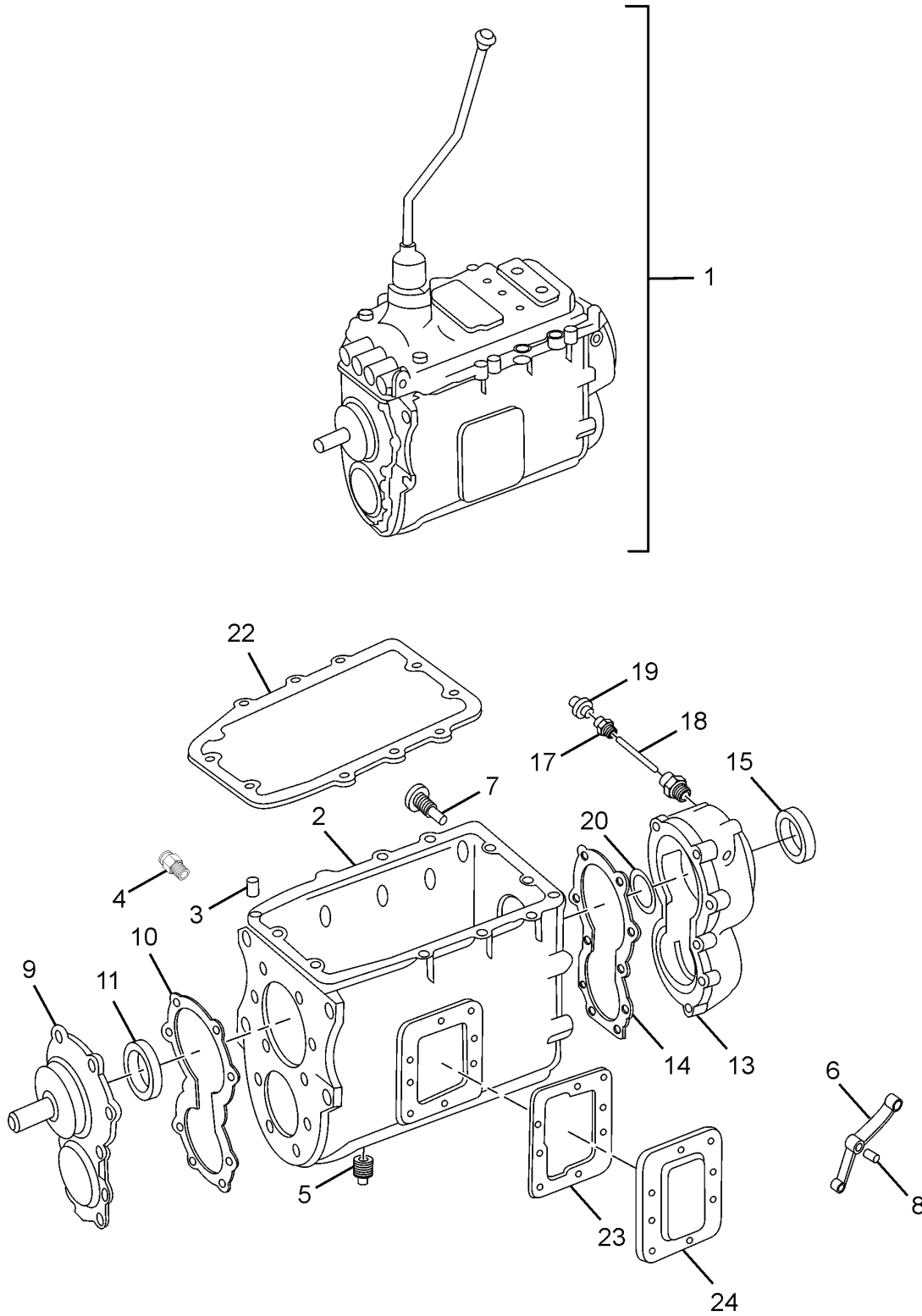
00.25.01		CLUTCH HOUSING		GROUP 25
CHASSIS TYPE: ALL				
FIG. NO.	PART NUMBER	DESCRIPTION	QTY	REMARKS
1	253425103711	CLUTCH HOUSING	1	SET A (CEEKAY) – OPTIONAL TO SET B
2	252325106701	PIN	1	
3	253425108207	CLUTCH HOUSING LOWER PART	1	
6	252325108203	PROTECTIVE COVER (CLUTCH HOUSING FRONT)	1	
7	253425108206	COVER FOR INSPECTION WINDOW	1	
-	253425108214	COVER (FOR INSPECTION WINDOW)	1	
-	253425105301	GASKET (INSPECTION WINDOW)	1	
		CLUTCH		
		240 DIA. CL.DISC & PR.PLATE (CEEKAY)		
		CONSISTS OF :		
25	265125200136	240 DIA. CL.DISC ASY(F510)- CK-HIGH TORQUE	1	
9	265125400114	240 DIA. CLUTCH COVER ASSY.- CK-HIGH CAPA	1	
		240 DIA. CL.DISC & PR.PLATE (CLUTCH AUTO) CONSISTS OF :		
9	265125400116	ASSY.240 DIA. PR.PLATE (CA)- HIGH CAPACITY	1	
25	265125200137	240 DIA. CL.DISC ASY(F510)- CA-HIGH TORQUE	1	
14	265425600102	ASSY. CLUTCH RELEASE BEARING WITH SLEEVE	1	
16	265125603107	CLUTCH RELEASE BEARING	1	
17	265125600107	ASSY. RELEASE FORK WITH BALL PIN	1	
18	3122541013	LOCKING WIRE	2	
19	265125608202	BRACKET INSIDE	1	
20	265125603102	OUTER RACE	1	
22	265125600111	ASSY. BRACKET OUTSIDE	1	
24	265125607702	RUBBER BELLOW	1	
		REPAIR KITS		
—	265125200108	REPAIR KIT FOR 240 MM DIA. CLUTCH DISC CONSISTING OF :	1	
26		CLUTCH LINING (4.6 MM THICK)	1	
26		CLUTCH LINING (3.4 MM THICK)	1	
27		RIVET (CLUTCH LINING)	32	
—	265125400110	REPAIR KIT (MINOR) FOR 240 MM DIA. CLUTCH PRESSURE PLATE CONSISTING OF :	1	
		GUIDE PLATE	6	
		RIVET	3	
		RIVET	3	

CHASSIS TYPE: ALL



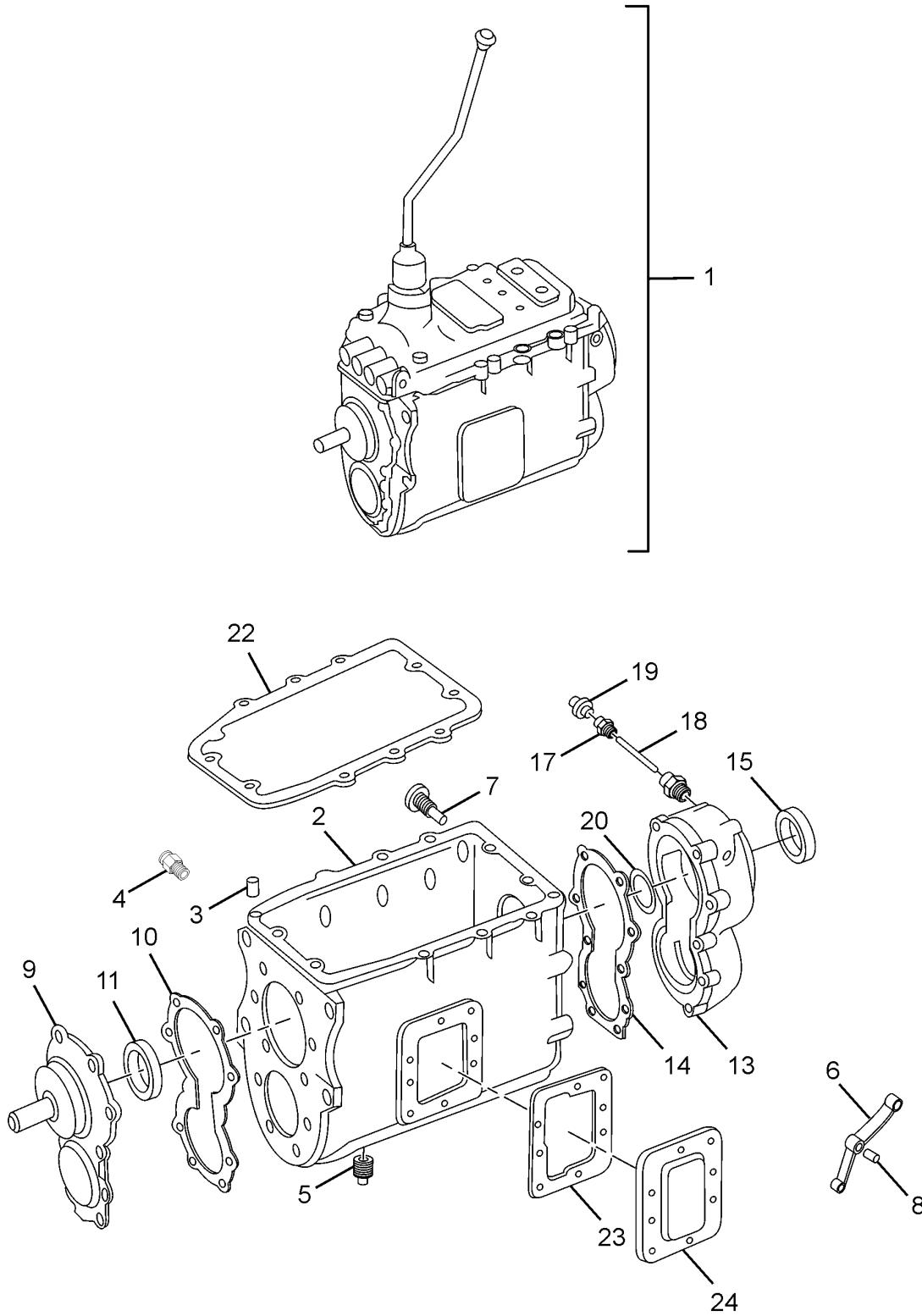
00.25.01		CLUTCH HOUSING		GROUP 25	
CHASSIS TYPE: ALL					
FIG. NO.	PART NUMBER	DESCRIPTION	QTY	REMARKS	
—	265125400109	STRAP	6		
		REPAIR KIT (MAJOR) FOR 240 MM DIA. CLUTCH PRESSURE PLATE CONSISTING OF :	1		
		GUIDE PLATE	6		
		RIVET	3		
		RIVET	3		
		STRAP	6		
		RING	2		
		DIAPHRAGM SPRING	1		
		RIVET (DIAPHRAGM SPRING)	10		

CHASSIS TYPE: ALL



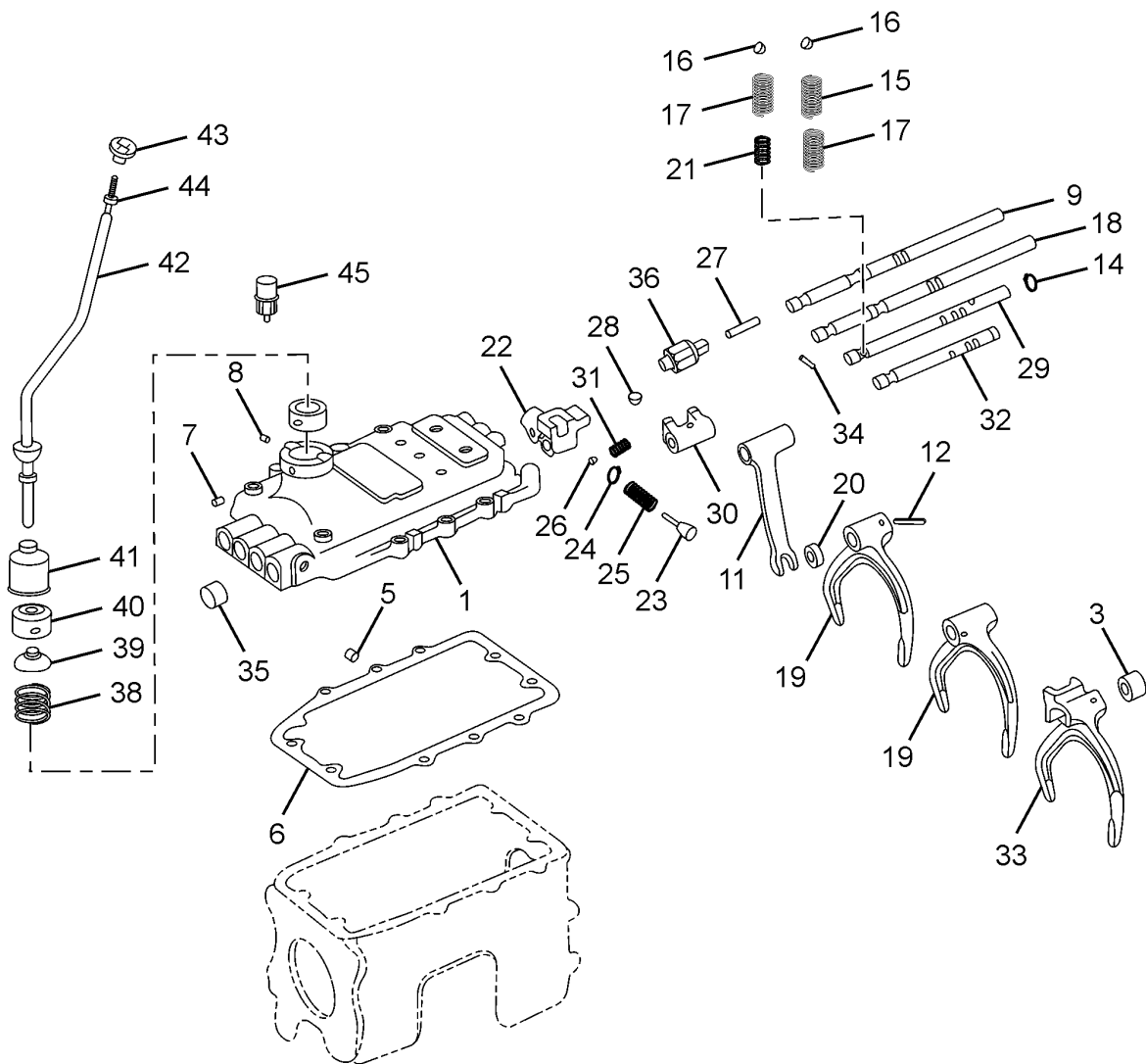
26.26.01		GEAR BOX(HOUSING)		GROUP 26	
CHASSIS TYPE: ALL					
FIG. NO.	PART NUMBER	DESCRIPTION	QTY	REMARKS	
1	251526010006	ASSY.GEAR BOX -GB18 WITH PTO OPENING - LHD	1	WITH PTO PROVISION	
2	251526103703	GEAR BOX HOUSING (WITH PTO OPENING)	1	WITH PTO PROVISION	
3	13050909209	CYLINDER PIN 10 H 8X20	2	WITH PTO PROVISION	
—	13050909250	CYLINDER PIN 10 H 8X25	2		
4	0009970006J	PLUG OIL FILLING	1		
5	266335107207	MAGNETIC DRAIN PLUG	1		
6	251526515114	INTERMEDIATE LEVER (REVERSE GEAR)	1		
7	251526515901	SLIDING KEY	1		
8	251526106701	PIVOT PIN	1		
9	251526253702	GEAR BOX HOUSING COVER FRONT	1		
10	251526255302	GASKET (FRONT COVER TO HOUSING)	1		
11	251526257805	OIL SEAL DRIVE SHAFT	1		
	3122831052	SHIM 0.10 MM THICK	AR	FOR SELECTION	
	3122831152	SHIM 0.20 MM THICK	AR	FOR SELECTION	
	3122831252	SHIM 0.40 MM THICK	AR	FOR SELECTION	
	3122832152	SHIM 0.80 MM THICK	AR	FOR SELECTION	
	3122831752	SHIM 0.05 MM THICK	AR	FOR SELECTION	
	251526258301	SHIM 1.2 MM THICK	AR	FOR SELECTION	
13	251526203705	GEAR CASE COVER REAR LHD	1		
14	251526205301	GASKET	1		
15	251526207805	OIL SEAL MAIN SHAFT	1		
17	250626207804	ROTARY SHAFT OIL SEAL	1		
—	3212610031	ADAPTER	1		
18	250626207904	SHAFT SPEEDOMETER DRIVE	1		
19	251926200105	ASSY.PINION (SPEEDOMETER DRIVE)	1		
20	3122831052	SHIM 0.10 MM THICK	AR	FOR SELECTION	
20	3122831152	SHIM 0.20 MM THICK	AR	FOR SELECTION	
20	3122831252	SHIM 0.40 MM THICK	AR	FOR SELECTION	
20	3122832152	SHIM 0.80 MM THICK	AR	FOR SELECTION	
20	3122831752	SHIM 0.05 MM THICK	AR	FOR SELECTION	
20	251526258301	SHIM 1.2 MM THICK	AR	FOR SELECTION	
22	251526105301	GASKET (TOP COVER)	1		
23	3122611019	GEAR CASE COVER SIDE	1	TO CLOSE PTO OPENING	
24	3122611080	GASKET, SIDE COVER	1	TO CLOSE PTO OPENING	
		GASKET KIT			

CHASSIS TYPE: ALL



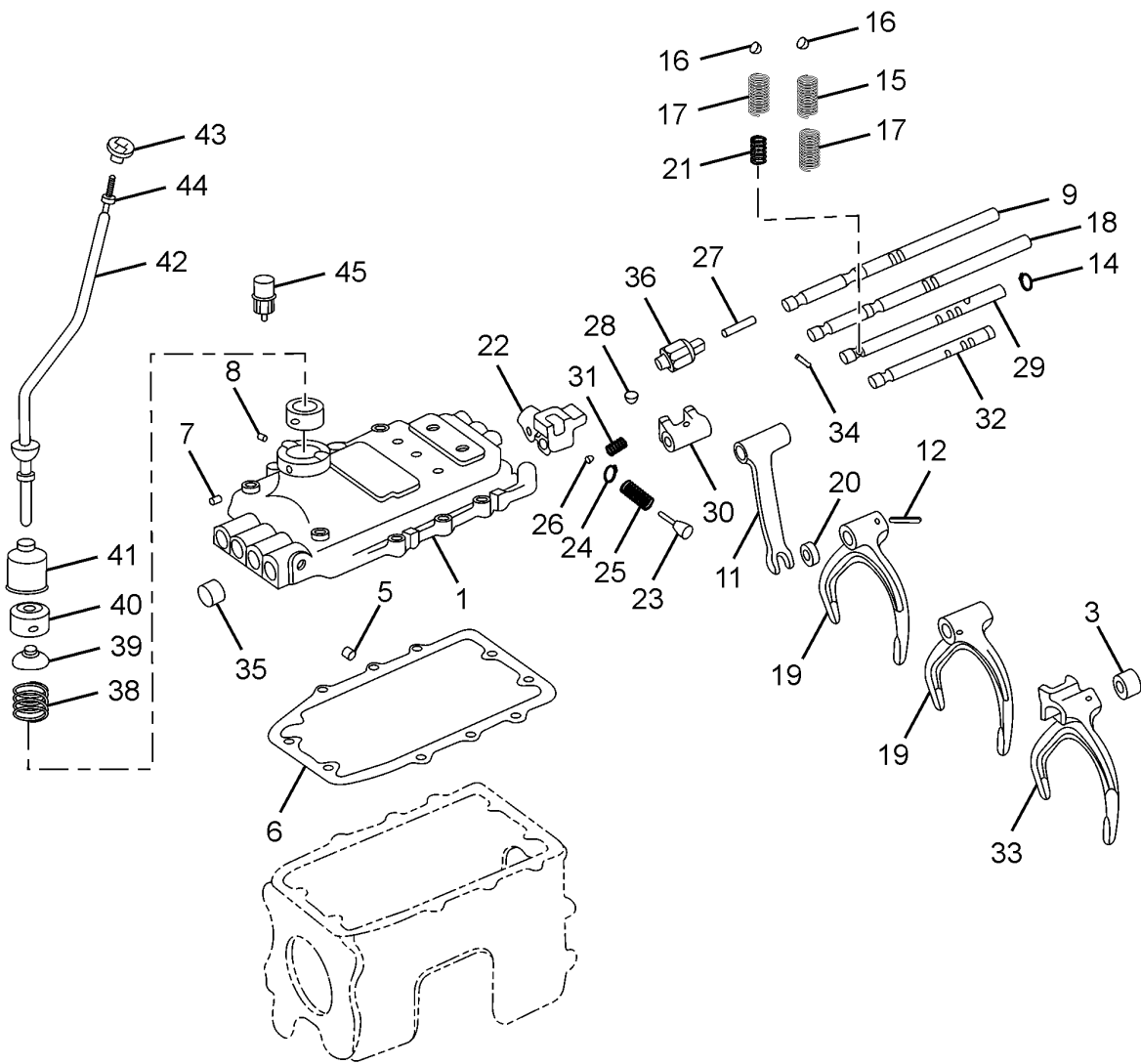
26.26.01		GEAR BOX(HOUSING)		GROUP 26	
CHASSIS TYPE: ALL					
FIG. NO.	PART NUMBER	DESCRIPTION	QTY	REMARKS	
—	251526000101	GASKET KIT CONSISTING OF :	1		
22		GASKET (TOP COVER)	1		
14		GASKET (REAR COVER)	1		
10		GASKET (FRONT COVER)	1		

CHASSIS TYPE: ALL



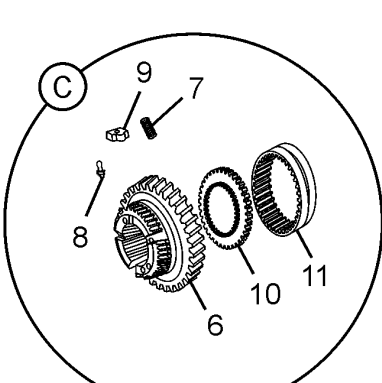
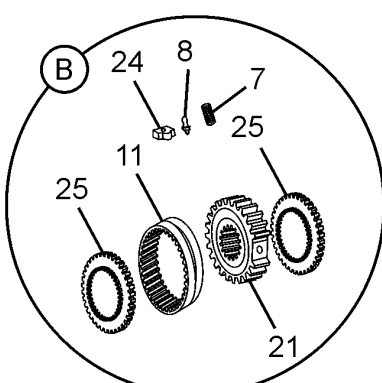
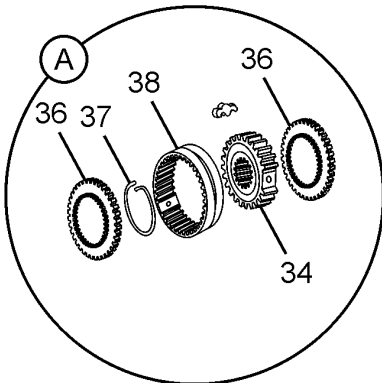
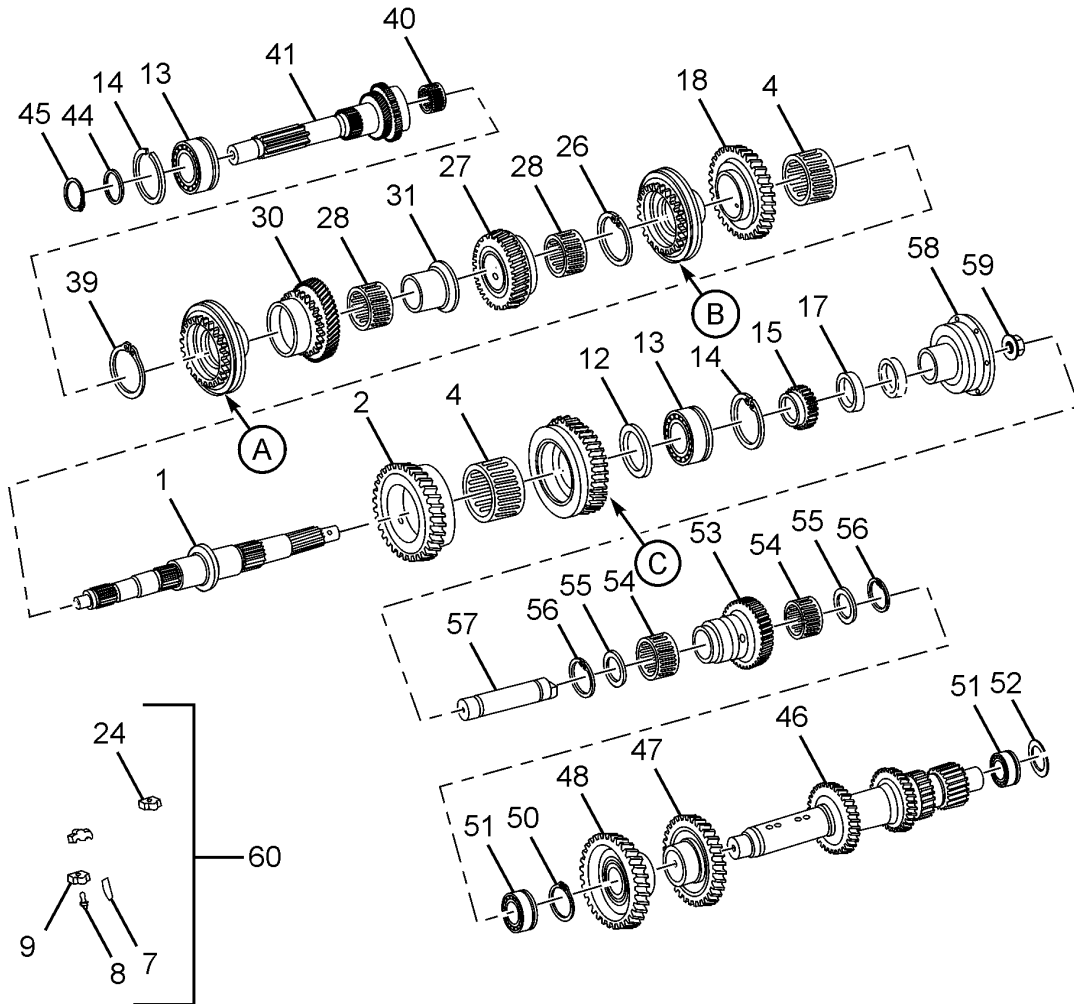
26.26.02		GEAR BOX(TOP COVER)		GROUP 26
CHASSIS TYPE: ALL				
FIG. NO.	PART NUMBER	DESCRIPTION	QTY	REMARKS
1	251526710119	ASSY. TOP COVER WITH PIN (WITH RIS)	1	
—	251526713708	GEAR CASE COVER TOP (WITH RIS)	1	
—	251526713404	BUSH (GEAR CASE COVER TOP)	1	
5	251526716701	PIN TOP COVER	2	
6	251526105301	GASKET	1	
7	13102105103	GROOVED PIN 5X10	2	
8	3129911362	DOWEL PIN	2	
9	251526707910	SHIFTER SHAFT (REVERSE SPEED)	1	
11	251526515102	SELECTOR FORK REVERSE SPEED	1	
12	13120509220	DOWEL SLEEVE HEAVY 5X22	1	
14	14550501601	EXTERNAL CIRCLIP 16X1.5 H	1	
15	251526718703	COMPRESSION SPRING	1	
16	15950100904	BALL 9 DIA.	2	
17	251526208701	COMPRESSION SPRING	2	
18	251526707908	SHIFTER SHAFT (1ST SPEED)	1	
19	251526515108	SHIFTER FORK 1 / 2 / 3 SPEED	2	
20	251526708603	SPACER	1	
21	251526718702	PRESSURE SPRING	1	
22	251526513704	SHIFTER DOG (1ST / REV. SPEED)	1	
23	251526516702	PLUNGER GEAR CASE COVER TOP	1	
24	14550800706	EXTERNAL CIRCLIP 8X0.8 N	1	
25	251526518701	COMPRESSION SPRING	1	
26	15950100602	BALL 6 DIAMETER	1	
27	13120505208	DOWEL SLEEVE HEAVY 3X20	1	
28	15950101200	BALL 12 DIAMETER	1	
29	251526707903	SHIFTER SHAFT 2ND / 3RD SPEED	1	
30	251526515106	SHIFTER DOG 2ND / 3RD SPEED	1	
31	251526718702	PRESSURE SPRING	1	
32	251526707904	SHIFTER SHAFT 4TH / 5TH SPEED	1	
33	251526515109	SHIFTER FORK 4 / 5 SPEED	1	
3	251526708602	SPACER	1	
34	15953540131	NEEDLE ROLLER 4X13.8	2	
35	251526718204	CAP	6	
36	265454510123	ASSY REVERSE LIGHT SWITCH	1	
-	264126807719	REXIN BELLOW	1	
38	3129936501	PRESSURE SPRING	1	
39	251526718202	BALL PIECE GEAR SHIFT DOME	1	
40	251526718201	CAP GEAR SHIFT DOME	1	
41	3122671096	PROTECTIVE RUBBER CAP	1	

CHASSIS TYPE: ALL



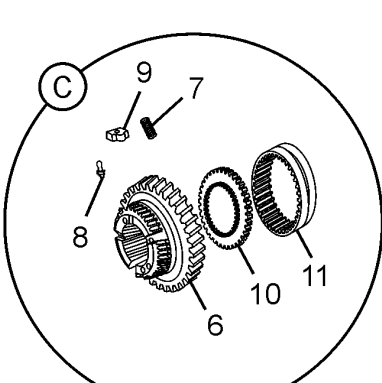
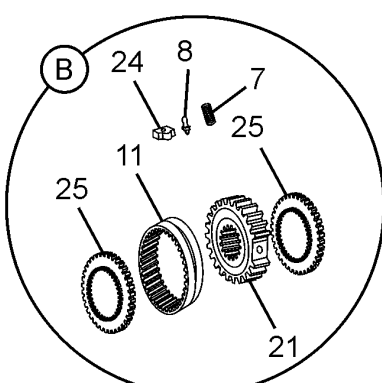
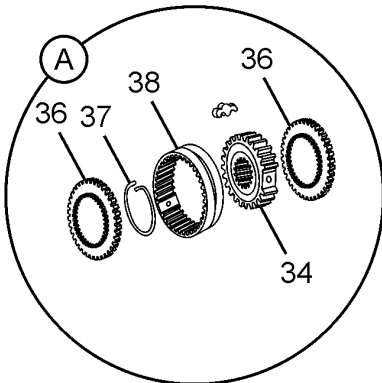
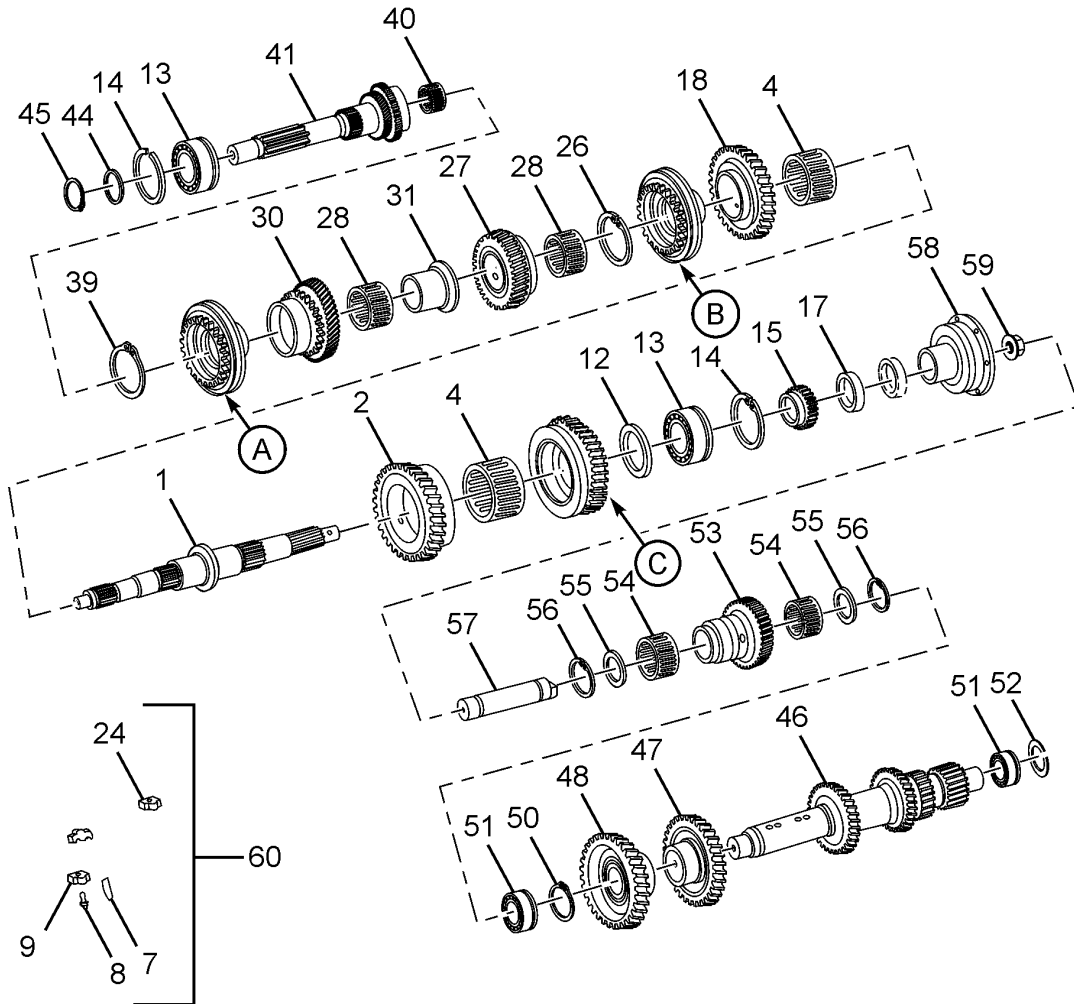
26.26.02		GEAR BOX(TOP COVER)		GROUP 26	
CHASSIS TYPE: ALL					
FIG. NO.	PART NUMBER	DESCRIPTION	QTY	REMARKS	
42	251526800109	ASSY GEARSHIFT LEVER (FOR 407 LHD)	1		
43	251826700101	ASSY. GEAR SHIFT LEVER KNOB	1		
44		HEX THIN NUT	1		
45	266835150102	PRESSURE RELIEF VALVE	1		

CHASSIS TYPE: ALL



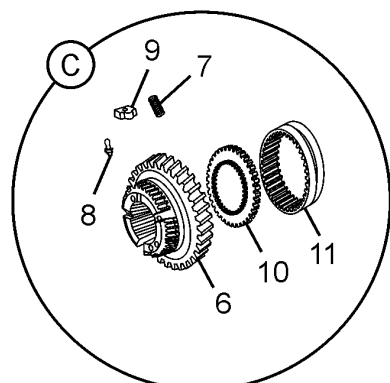
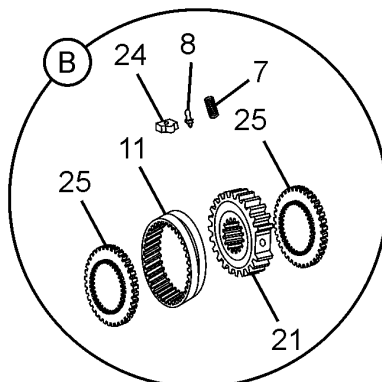
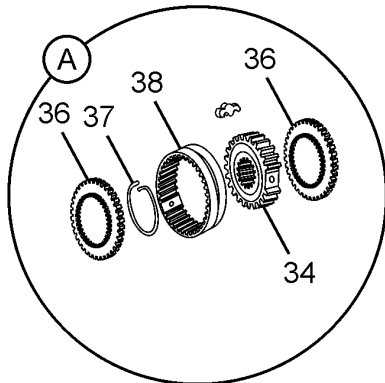
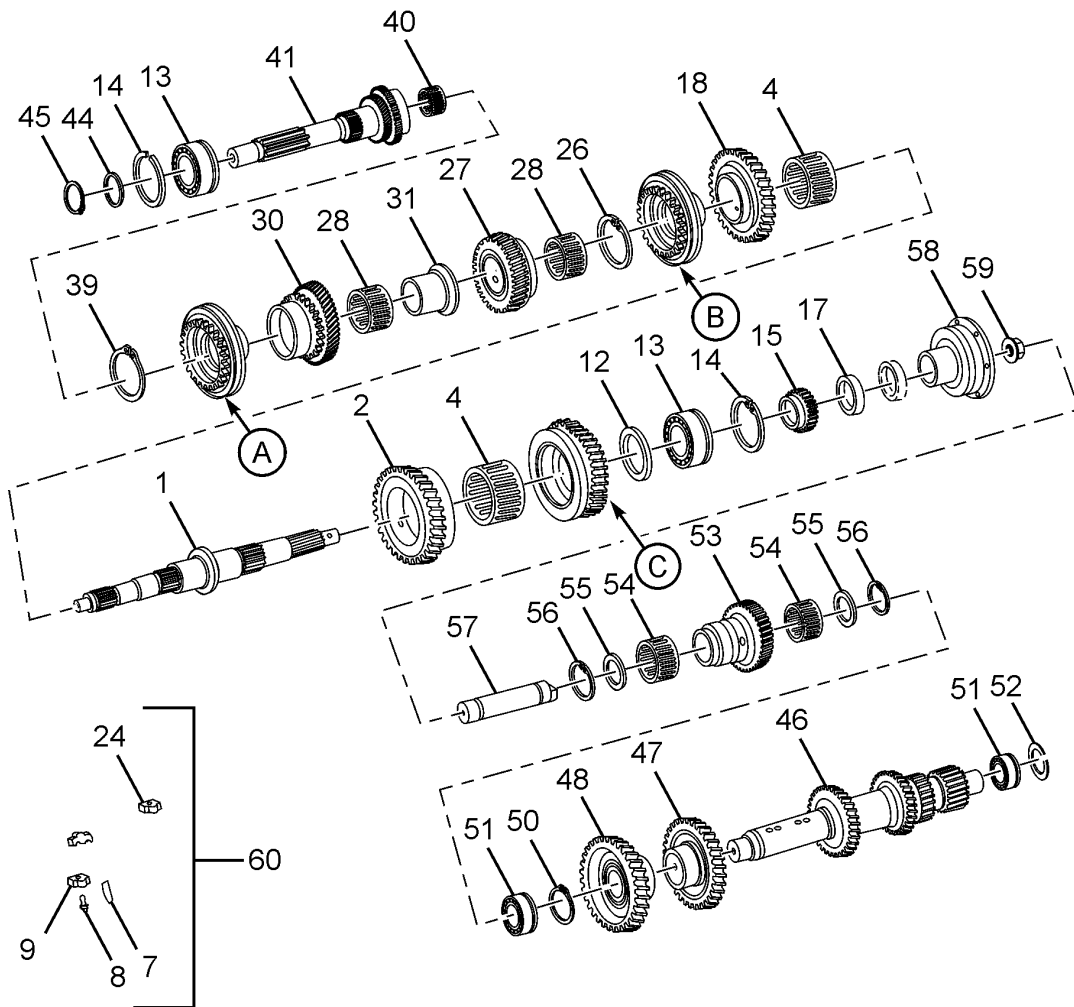
26.26.03		GEAR SHAFTS AND GEARS		GROUP 26	
CHASSIS TYPE: ALL					
FIG. NO.	PART NUMBER	DESCRIPTION	QTY	REMARKS	
1	251526207904	MAIN SHAFT	1		
2	251526205411	GEAR FIRST SPEED	1		
4	251526203104	NEEDLE CAGE 1ST / 2ND SPEED	2		
6	251526205403	REVERSE GEAR	1		
10	251526203802	SYNCHRONISING CONE	1		
11	251526204604	SHIFTER SLEEVE (1, REVERSE, 2 & 3 SPEED)	1		
12	251526208603	SPACER 6.65 THICK	1	FOR SELECTION	
12	251526208604	SPACER 6.70 THICK	1	FOR SELECTION	
12	251526208605	SPACER 6.75 THICK	1	FOR SELECTION	
12	251526208606	SPACER 6.80 THICK	1	FOR SELECTION	
12	251526208608	SPACER 6.90 THICK	1	FOR SELECTION	
12	251526208609	SPACER 6.95 THICK	1	FOR SELECTION	
12	251526208610	SPACER 7.00 THICK	1	FOR SELECTION	
12	251526208611	SPACER 7.05 THICK	1	FOR SELECTION	
12	251526208612	SPACER 7.10 THICK	1	FOR SELECTION	
12	251526208613	SPACER 7.15 THICK	1	FOR SELECTION	
12	251526208614	SPACER 7.20 THICK	1	FOR SELECTION	
12	251526208616	SPACER 7.30 THICK	1	FOR SELECTION	
12	251526208617	SPACER 7.35 THICK	1	FOR SELECTION	
12	251526208618	SPACER 7.40 THICK	1	FOR SELECTION	
12	251526208619	SPACER 7.45 THICK	1	FOR SELECTION	
13	251526203114	SINGLE ROW DEEP GROOVE BALL BEARING	2		
14	251526204302	SNAP RING 2.68 THICK	2	FOR SELECTION	
14	251526204303	SNAP RING 2.73 THICK	2	FOR SELECTION	
14	251526204304	SNAP RING 2.78 THICK	2	FOR SELECTION	
14	251526204305	SNAP RING 2.83 THICK	2	FOR SELECTION	
14	251526204306	SNAP RING 2.88 THICK	2	FOR SELECTION	
14	251526204307	SNAP RING 2.93 THICK	2	FOR SELECTION	
15	251526200119	ASSY.GEAR SPEEDOMETER DRIVE	1		
17	251526208601	SPACER	1		
18	251526205402	HELICAL GEAR 2ND SPEED	1		
21	251526205407	ENGAGING GEAR (2ND AND 3RD SPEED)	1		
25	251526203803	SYNCHRO CONE (2ND / 3RD)	2		
26	251526204312	CIRCLIP 2.5 THICK	1	FOR SELECTION	
26	251526204313	CIRCLIP 2.54 THICK	1	FOR SELECTION	
26	251526204314	CIRCLIP 2.58 THICK	1	FOR SELECTION	
26	251526204315	CIRCLIP 2.62 THICK	1	FOR SELECTION	
26	251526204316	CIRCLIP 2.66 THICK	1	FOR SELECTION	

CHASSIS TYPE: ALL



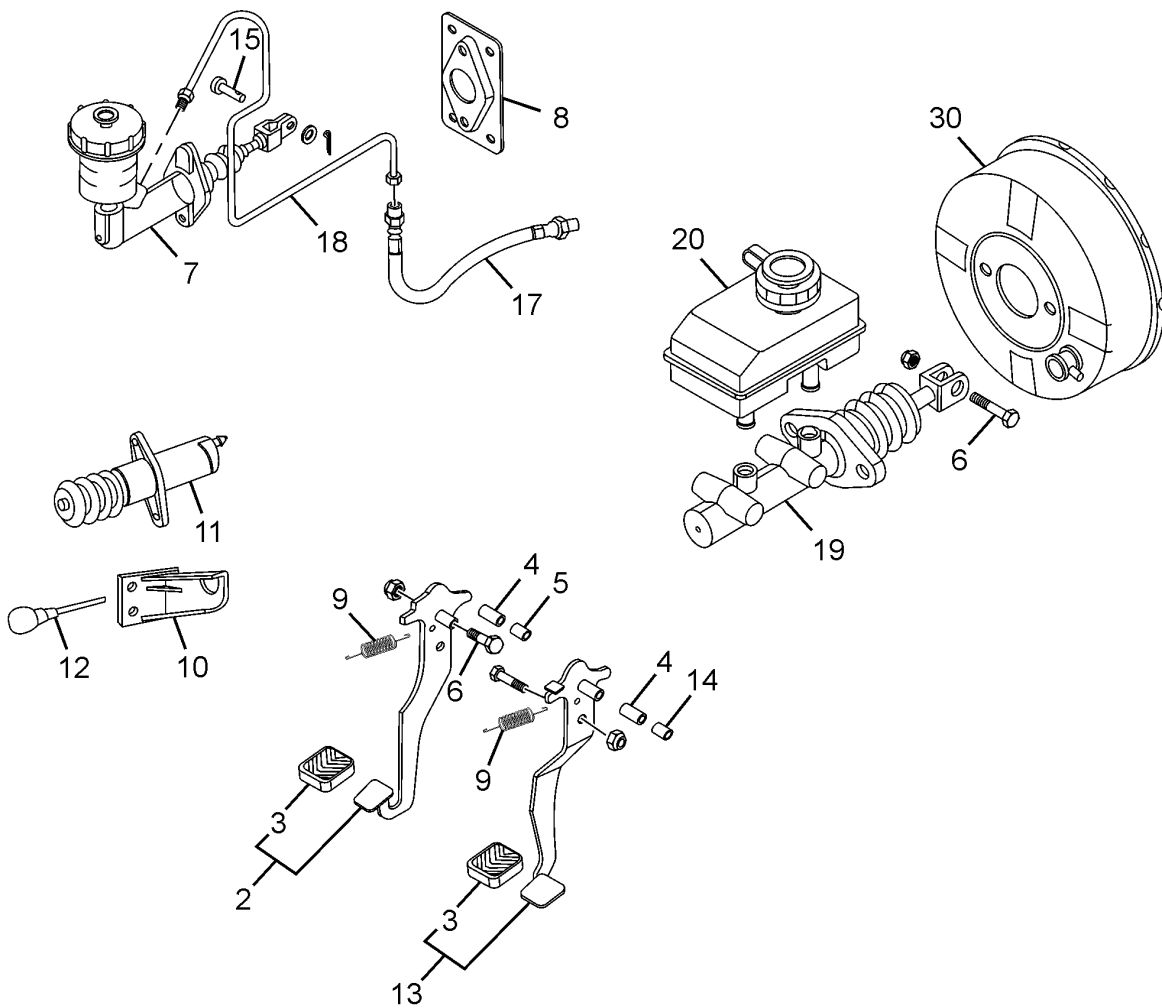
26.26.03		GEAR SHAFTS AND GEARS		GROUP 26	
CHASSIS TYPE: ALL					
FIG. NO.	PART NUMBER	DESCRIPTION	QTY	REMARKS	
26	251526204333	CIRCLIP 2.7 THICK	1	FOR SELECTION	
26	251526204334	CIRCLIP 2.8 THICK	1	FOR SELECTION	
26	251526204335	CIRCLIP 2.75 THICK	1	FOR SELECTION	
27	251526205408	HELICAL GEAR 3RD SPEED	1		
28	251526203103	NEEDLE CAGE (4TH / 3RD SPEED)	2		
30	251526205401	HELICAL GEAR (4TH SPEED)	1		
31	251526203402	COLLOR BUSH (4TH SPEED)	1		
34	251526205410	ENGAGING GEAR 4TH / 5TH SPEED	1		
36	251526203801	SYNCHRONISING CONE (4TH / 5TH SPEED)	2		
37	251526208702	SPRING RING	2		
38	251526204601	SHIFTER SLEEVE (4TH / 5TH SPEED)	1		
39	251526204311	CIRCLIP 2.46 THICK	1	FOR SELECTION	
39	251526204318	CIRCLIP 2.5 THICK	1	FOR SELECTION	
39	251526204319	CIRCLIP 2.54 THICK	1	FOR SELECTION	
39	251526204320	CIRCLIP 2.58 THICK	1	FOR SELECTION	
39	251526204321	CIRCLIP 2.62 THICK	1	FOR SELECTION	
39	251526204322	CIRCLIP 2.66 THICK	1	FOR SELECTION	
40	251526253101	ROLLER CAGE	1		
41	251526257913	DRIVESHAFT (5.54, WITH CIRCLIP GROOVE)	1		
44	251526258602	SPACER DRIVE SHAFT	1		
—	251526258201	OIL SLINGER (DRIVE SHAFT)	1		
45	251526254306	CIRCLIP (2.5 THK)	1	FOR SELECTION	
45	251526254307	CIRCLIP (2.4 THK)	1	FOR SELECTION	
45	251526254308	CIRCLIP (2.3 THK)	1	FOR SELECTION	
45	251526254309	CIRCLIP (2.2 THK)	1	FOR SELECTION	
45	251526254310	CIRCLIP (2.1 THK)	1	FOR SELECTION	
46	251526307904	COUNTER SHAFT	1		
47	251526305409	4TH GEAR COUNTER SHAFT	1		
48	251526305408	CONSTANT MESH GEAR (COUNTER SHAFT)	1		
50	14550504007	EXT. CIRCLIP 40X2.5 H	1		
51	265133403129	TAPER ROLLER BEARING	1		
52	3122631452	SHIM 0.125 FOR COUNTER SHAFT	AR	FOR SELECTION	
52	3122631552	SHIM 0.240 FOR COUNTER SHAFT	AR	FOR SELECTION	
52	3122631652	SHIM 0.500 FOR COUNTER SHAFT	AR	FOR SELECTION	
52	3122632152	SHIM 0.050 FOR COUNTER SHAFT	AR	FOR SELECTION	
53	251526355402	REVERSE IDLER GEAR	1		
54	251526353101	ROLLER CAGE REVERSE IDLER	2		
55	251526358601	SPACER	2		
56	14580603603	INT. CIRCLIP 36X1.5 N	2		

CHASSIS TYPE: ALL



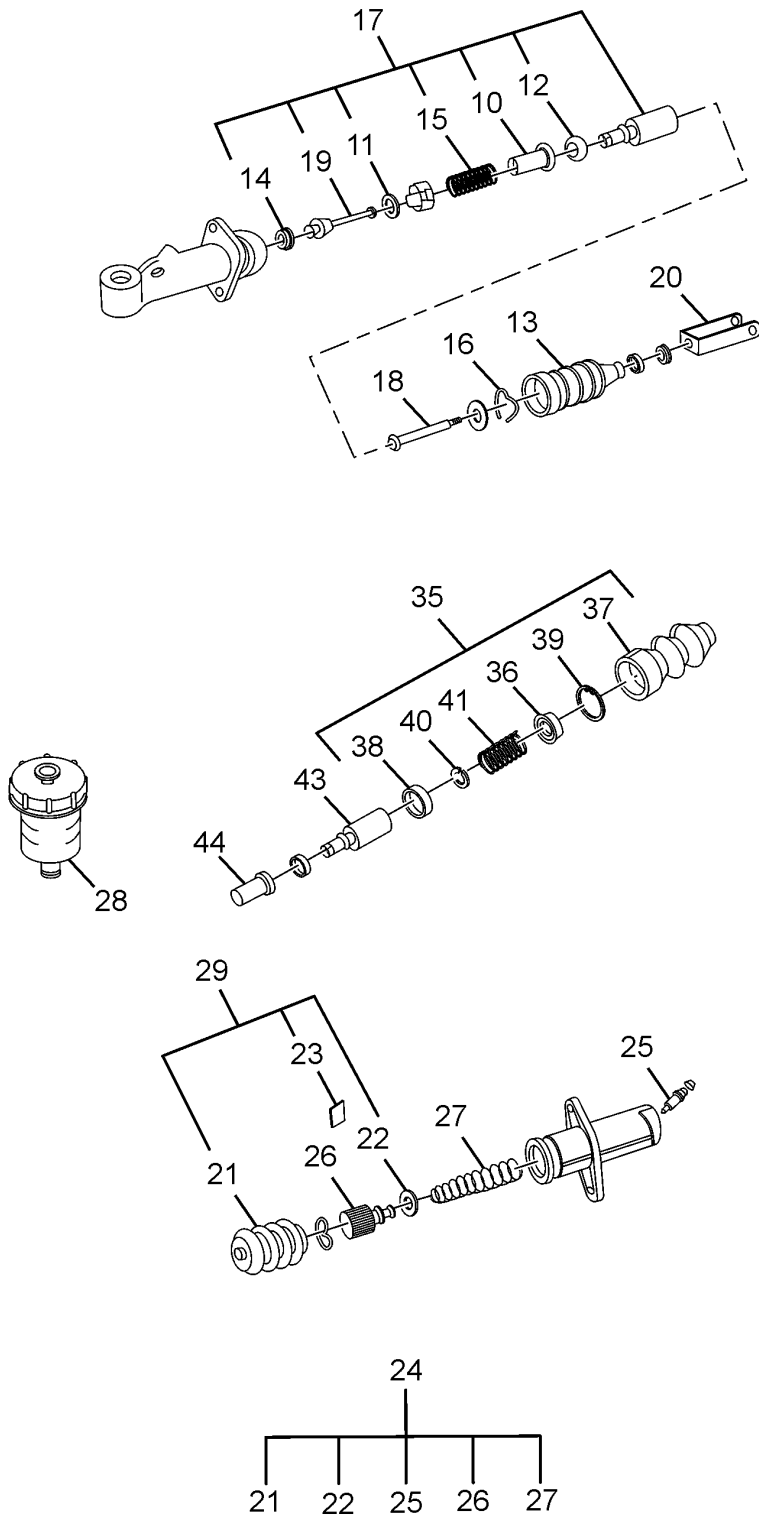
26.26.03		GEAR SHAFTS AND GEARS		GROUP 26	
CHASSIS TYPE: ALL					
FIG. NO.	PART NUMBER	DESCRIPTION	QTY	REMARKS	
57	251526357901	REVERSE IDLER GEAR SHAFT	1		
58	251526200111	ASSY. COUPLING FLANGE	1		
59	265141106502	HEX. NUT (M 26X1.5)	1		
60	885426060407	SYNCHRO KIT GBS 18 CONSISTING OF :	1		
9		CARRIER 2 / 3	3		
		CARRIER 4 / 5	3		
24		CARRIER 1ST	3		
8		BALL PIN	6		
7		COMP. SPRING	9		

CHASSIS TYPE: ALL



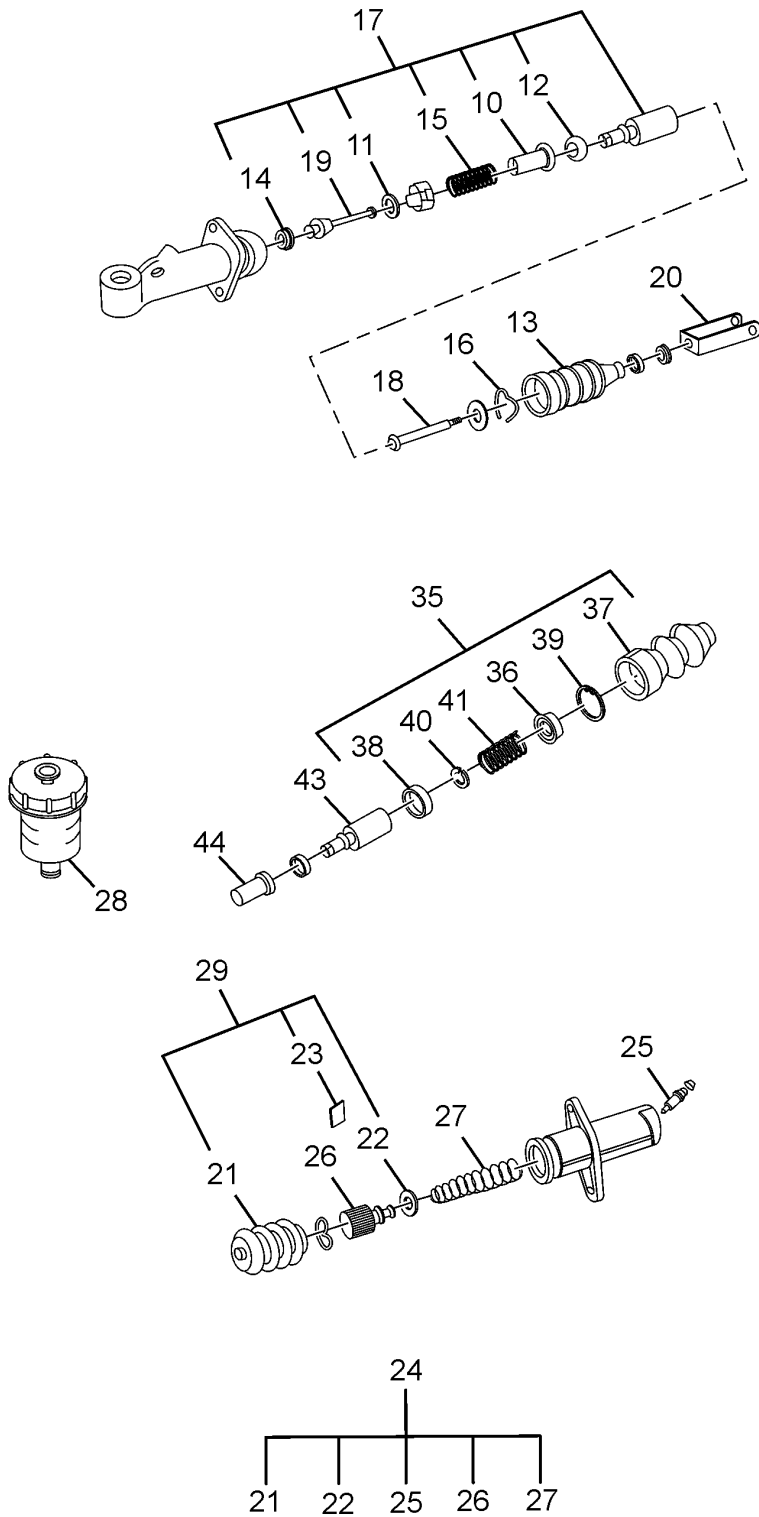
29.29.01		CLUTCH/BRAKE PEDALS		GROUP 29
CHASSIS TYPE: ALL				
FIG. NO.	PART NUMBER	DESCRIPTION	QTY	REMARKS
2	265129200135	ASSY. BRAKE PEDAL (KAIZEN)	1	
3	265829107704	RUBBER COVER (BRAKE & CLUTCH PEDAL)	1	
4	265129108602	SPACER	1	
5	265129103401	SINTERED BUSH	2	
6	257329209901	CLEVIS PIN	1	
7	265129100118	ASSY. CLUTCH MASTER CYLINDER (19.05 DIA)	1	
8	265129200124	ASSY. BRACKET	1	
9	265129308702	RETURN SPRING	1	
10	265129400108	ASSY. SLAVE CYLINDER MOUNTING BRACKET	1	
11	265129100167	ASSY. CLUTCH SLAVE CYLINDER 25.4 DIA.	1	
12	264129300102	ASSY. THRUST ROD	1	
13	265129200130	ASSY. CLUTCH PEDAL WITH RUBBER COVER	1	
3	265829107704	RUBBER COVER (BRAKE & CLUTCH PEDAL)	1	
14	265129106307	BUSH	1	
15	265129106701	ADJUSTING ECCENTRIC PIN	1	
17	269929100169	ASSY. HOSE	1	
18	265129100190	ASSLY CLUTCH PIPE(FROM MASTER CYL.)	1	
19	269843100101	ASSY. TANDEM MASTER CYLINDER	1	
20	265443100118	ASSY. BRAKE FLUID CONTAINER	1	
30	265143500120	ASSY VACUUM BOOSTER	1	

CHASSIS TYPE: ALL



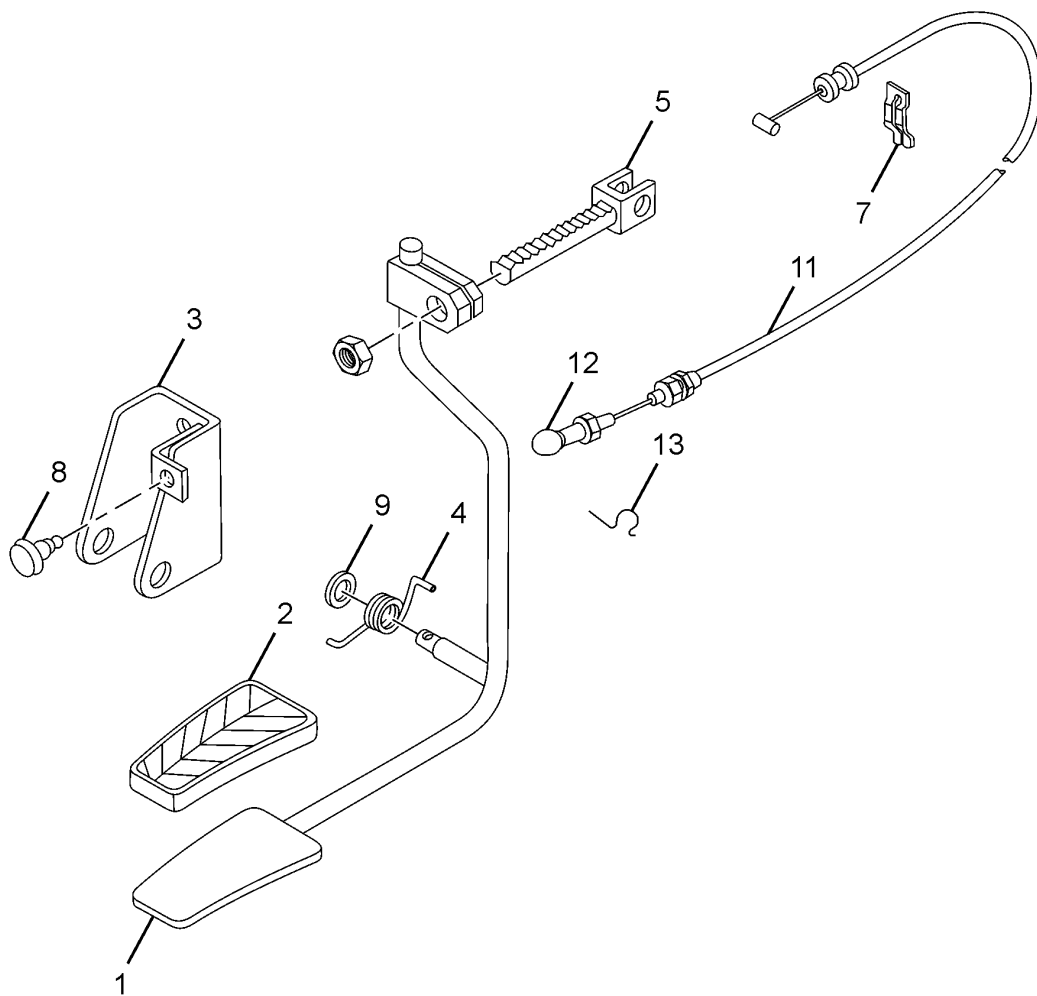
29.29.02		REPAIR KITS FOR CMC AND CSC		GROUP 29
CHASSIS TYPE: ALL				
FIG. NO.	PART NUMBER	DESCRIPTION	QTY	REMARKS
—	269929100177	REPAIR KIT (MAJOR) CLUTCH MASTER CYLINDER (19.05 MM DIA.) CONSISTING OF (M/S BI):	1	
43		PISTON	1	
44		VALVE SPACER	1	
28		ASSY. FLUID RESERVOIR	1	
35		MINOR REPAIR KIT	1	
35	265129100148	REPAIR KIT (MINOR) CLUTCH MASTER CYLINDER (19.05 MM DIA.) CONSISTING OF (M/S BI):	1	
36		SEAL	1	
37		RUBBER BELLOW	1	
38		SEAL	1	
39		CIRCLIP	1	
40		SPRING WASHER	1	
41		SPRING	1	
—	265429200104	REPAIR KIT FOR 19.05 CMC (MAJOR) M/S KBX	1	
13		BOOT	1	
17		PISTON ASSY	1	
16		PISTON STOP RING	1	
—	265429200103	REPAIR KIT FOR 19.05 CMC (MINOR) M/S KBX	1	
—		GREASE PACK	1	
10		SPRING RETAINER	1	
11		CUP WASHER	1	
12		SECONDARY SEAL	1	
13		BOOT	1	
14		SEAL INLET VALVE	1	
15		SPRING	1	
16		PISTON STOP RING	1	
19		PUSH ROD ASSEMBLY	1	
—		RESERVOIR CAP	1	
18		RESERVOIR BOLT	1	
—		RESERVOIR BODY	1	
—		FILTER	1	
—		BOOT RING	1	
—		ROD,INLET	1	
—		CASE,INLET VALVE	1	
20		SHACKLE	1	
24	265129100137	REPAIR KIT (MAJOR) CLUTCH SLAVE CYLINDER (25.4 MM DIA.) CONSISTING OF (M/S BI):	1	
26		PISTON	1	

CHASSIS TYPE: ALL



29.29.02		REPAIR KITS FOR CMC AND CSC		GROUP 29
CHASSIS TYPE: ALL				
FIG. NO.	PART NUMBER	DESCRIPTION	QTY	REMARKS
27	265129100132	SPRING	1	
25		BLEEDER SCREW	1	
29		MINOR REPAIR KIT	1	
29		REPAIR KIT (MINOR) CLUTCH SLAVE	1	
		CYLINDER (25.4 MM DIA.) CONSISTING OF (M/S BI):		
22		PISTON SEAL	1	
21		RUBBER BOOT	1	
23		GREASE TUBE	1	

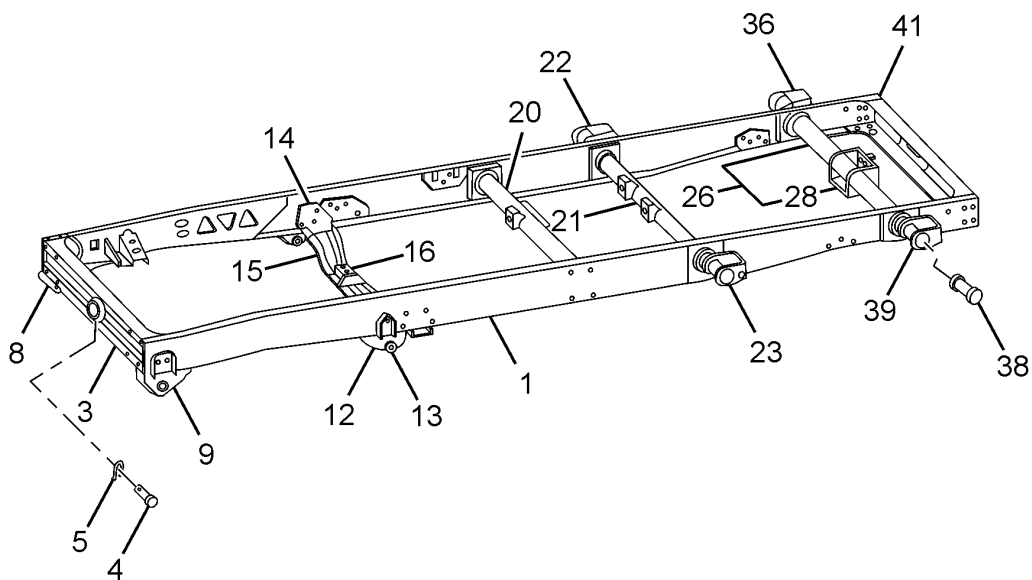
CHASSIS TYPE: ALL



30.30.01		ACCELERATOR CONTROLS		GROUP 30	
CHASSIS TYPE: ALL					
FIG. NO.	PART NUMBER	DESCRIPTION	QTY	REMARKS	
1	265130100149	ASSY. ACCLERATOR PEDAL	1		
2	270230107703	RUBBER COVER (ACC.PEDAL)	1		
3	264730100102	ASSY.PEDAL MTG. BRACKET	1		
4	269930108701	SPRING (ACCLERATOR PEDAL RETURN)	1		
5	264130109902	FORK	1		
7	265142804201	HOLDER BRAKE HOSE	1		
8	265430107701	RUBBE STOPPER	1		
9	265430108601	SPACER	1		
11	265130100147	ASSY.PULL CABLE ACCELERATOR	1		
12	0009910522	BALL END(40MM)	1		
13	14450601005	LOCKING RING 10 TS15624	1		

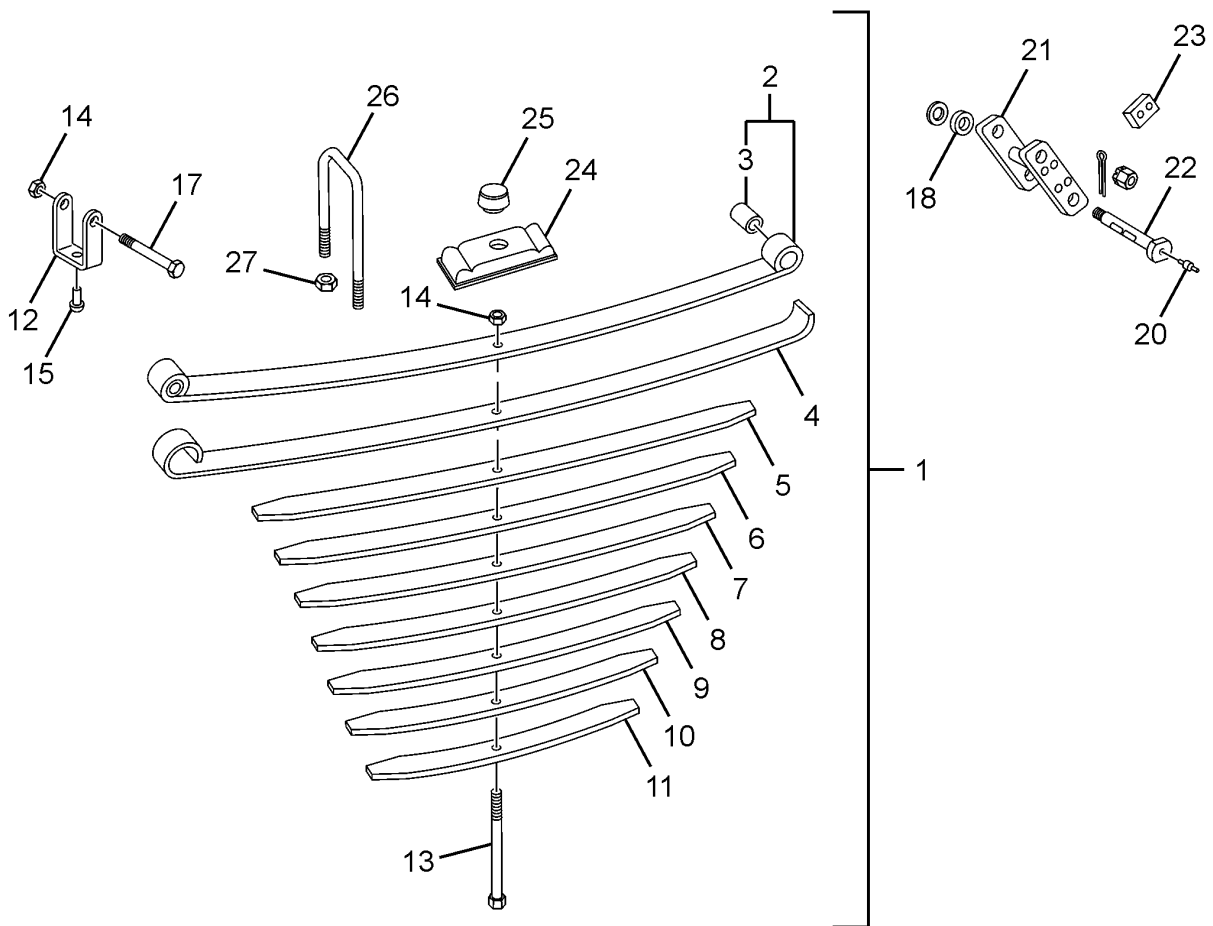
31.31.01		FRAME		GROUP 31	
CHASSIS TYPE: 357171; 357174					
FIG. NO.	PART NUMBER	DESCRIPTION	QTY	REMARKS	
1	265131000117	ASSY.FRAME(3100 W.B.TRUCK LHD)	1		
3	264031200110	ASSY. FRONT CROSS MEMBER (WITH TOWING HOOK)	1		
4	265131406701	PIN	1		
5	265131406702	PIN	1		
8	265132100124	ASSY. FRONT SPRING BRACKET FRONT RH	1		
9	265132100123	ASSY. FRONT SPRING BRACKET FRONT LH	1		
12	265132100113	ASSY. FRONT SPRING BRACKET WITH BUSH REAR	2		
13	265132403401	BUSH	2		
14	265131408266	SUPPORT GEAR BOX MOUNTING	2		
15	265131400140	ASSY. GEAR BOX MOUNTING CROSS MEMBER	1		
16	265131400135	ASSY. BRACKET	1		
20	265131400172	ASSY.CENTRE BRG.CROSS MEMBER-FOR LHD	1		
21	265131400167	ASSY.CROSS MEMBER-LHD(REAR SPR.FRT)	1		
22	265132400132	ASSY. REAR SPRING BRACKET FRONT RH	1		
23	265132400130	ASSY. REAR SPRING BRACKET FRONT LH	1		
26	265131400176	ASSY. CROSS MEMBER - (SPARE WHEEL CARRIER)	1		
28	265731400101	ASSY. REAR SPRING REAR CROSS MEMBER	1		
36	265132400165	ASSY. REAR SPRING BRACKET COMP. WITH BUSH (RH)	1		
38	265132403401	BUSH	2		
39	265132400164	ASSY. REAR SPRING BRACKET COMP. WITH BUSH (LH)	1		
41	265131408252	END CROSS MEMBER	1		
42	264131400111	ASSY. CLEAT	8		

CHASSIS TYPE: 357172; 357173; 357175



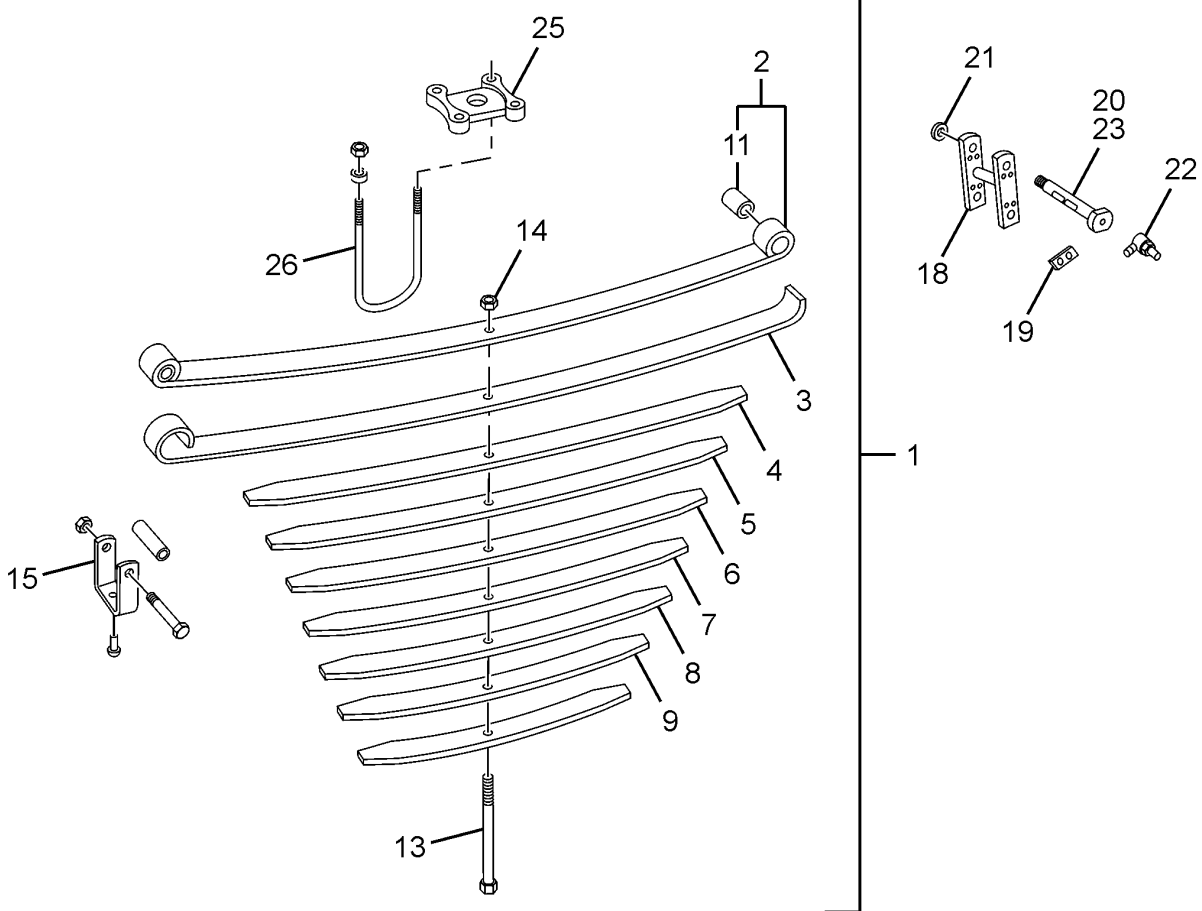
31.31.02		FRAME		GROUP 31	
CHASSIS TYPE: 357172; 357173; 357175					
FIG. NO.	PART NUMBER	DESCRIPTION	QTY	REMARKS	
1	265131000117	ASSY.FRAME(3100 W.B.TRUCK LHD)	1		
3	264031200110	ASSY. FRONT CROSS MEMBER (WITH TOWING HOOK)	1		
4	265131406701	PIN	1		
5	265131406702	PIN	1		
8	265132100124	ASSY. FRONT SPRING BRACKET FRONT RH	1		
9	265132100123	ASSY. FRONT SPRING BRACKET FRONT LH	1		
12	265132100113	ASSY. FRONT SPRING BRACKET WITH BUSH REAR	2		
13	265132403401	BUSH	2		
14	265131408266	SUPPORT GEAR BOX MOUNTING	2		
15	265131400140	ASSY. GEAR BOX MOUNTING CROSS MEMBER	1		
16	265131400135	ASSY. BRACKET	1		
20	265131400172	ASSY.CENTRE BRG.CROSS MEMBER-FOR LHD	1		
21	265131400167	ASSY.CROSS MEMBER-LHD(REAR SPR.FRT)	1		
22	265132400132	ASSY. REAR SPRING BRACKET FRONT RH	1		
23	265132400130	ASSY. REAR SPRING BRACKET FRONT LH	1		
26	265131400176	ASSY. CROSS MEMBER - (SPARE WHEEL CARRIER)	1		
28	265731400101	ASSY. REAR SPRING REAR CROSS MEMBER	1		
36	265132400165	ASSY. REAR SPRING BRACKET COMP. WITH BUSH (RH)	1		
38	265132403401	BUSH	2		
39	265132400164	ASSY. REAR SPRING BRACKET COMP. WITH BUSH (LH)	1		
41	265131408252	END CROSS MEMBER	1		

CHASSIS TYPE: ALL



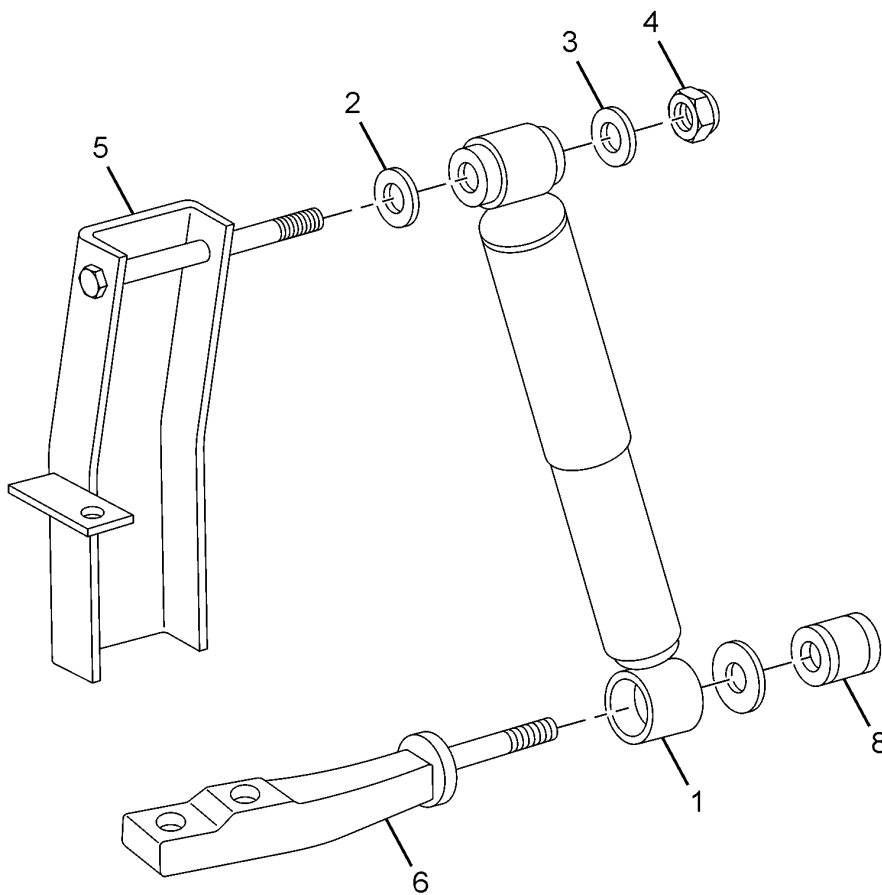
32.32.01		FRONT SPRING AND SUSPENSION		GROUP 32
CHASSIS TYPE: ALL				
FIG. NO.	PART NUMBER	DESCRIPTION	QTY	REMARKS
1	265132100162	ASSY. FRONT SPRING	2	
2	265132100163	ASSY. FIRST LEAF WITH BUSH	2	
3	265132403401	BUSH	2	
4	265132117124	SECOND LEAF	2	
5	265132117125	THIRD LEAF	2	
6	265132117126	FOURTH LEAF	2	
7	265132117127	FIFTH LEAF	2	
8	265132117128	SIXTH LEAF	2	
9	265132117129	SEVENTH LEAF	2	
10	265132117130	EIGHTH LEAF	2	
11	265132117131	NINTH LEAF	2	
—	265132107139	PLATE	4	
12	265132404230	SPRING CLIP	4	
12	265132404231	SPRING CLIP	4	
13	11084110797	CENTRE BOLT M10X85X1	2	
14	NSP	HEX. NUT M 10	2	NON SERVICEABLE PART
15	13300509201	SNAP HEAD RIVET 10X18	4	
17	265132106701	SPRING PIN	2	
18	265132400126	ASSY. SEALING RING	12	
20	17170600801	GREASE NIPPLE AM 8X1	6	
21	265132100146	ASSY. SHACKLE (FRONT SPRING)	2	
22	265132106704	SPRING PIN (SHACKLE END)	4	
23	265132107173	LOCK PLATE	2	
24	270532200101	ASSY. GUIDE PLATE (FRONT SPRING)	2	
25	265132207704	RUBBER BUFFER FRONT SPRING	2	
26	265132204204	'U' CLAMP	4	
27	NSP	HEX. NUT M 12X1.5	16	NON SERVICEABLE PART

CHASSIS TYPE: ALL



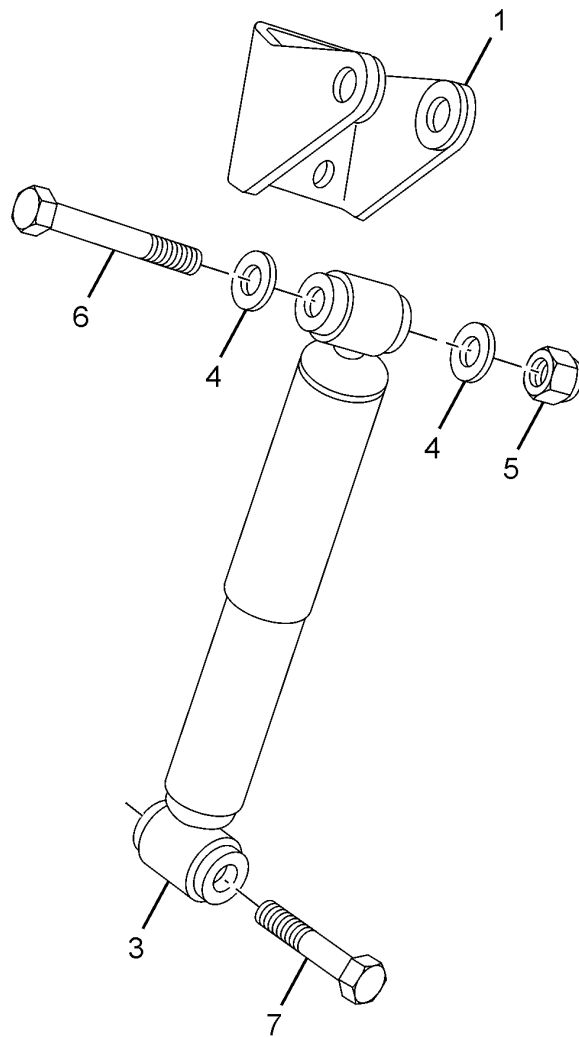
32.32.02		REAR SPRING AND SUSPENSION		GROUP 32
CHASSIS TYPE: ALL				
FIG. NO.	PART NUMBER	DESCRIPTION	QTY	REMARKS
1	265132410108	ASSY. REAR SPRING	2	NON SERVICEABLE PART
2	265132410109	ASSY. FIRST LEAF WITH BUSH	2	
11	265132403401	BUSH	2	
3	265132417193	SECOND LEAF	2	
4	265132417194	THIRD LEAF	2	
5	265132417195	FOURTH LEAF	2	
6	265132417196	FIFTH LEAF	2	
7	265132417197	SIXTH LEAF	2	
8	265132417198	SEVENTH LEAF	2	
9	265132417199	EIGHTH LEAF	2	
13	11084110703	CENTRE BOLT M 10X110X10	2	
14	NSP	HEX. NUT M 10	2	
15	265132404227	SPRING CLIP	4	
18	265132400183	ASSY. SHACKLE (REAR SPRING)	2	
19	265132407199	LOCK PLATE	2	
22	17170600801	GREASE NIPPLE	6	
20	265132106704	SPRING PIN (SHACKLE END)	4	
21	265132400126	ASSY. SEALING RING	12	
23	265132106701	SPRING PIN	2	
25	265132503701	GUIDE PLATE REAR SPRING	2	
26	270532504202	'U' CLAMP REAR	4	
—	265131400112	ASSY REAR AXLE STOPPER	2	
—	270532400114	ASSY BUMP STOP BRACKET	2	

CHASSIS TYPE: ALL



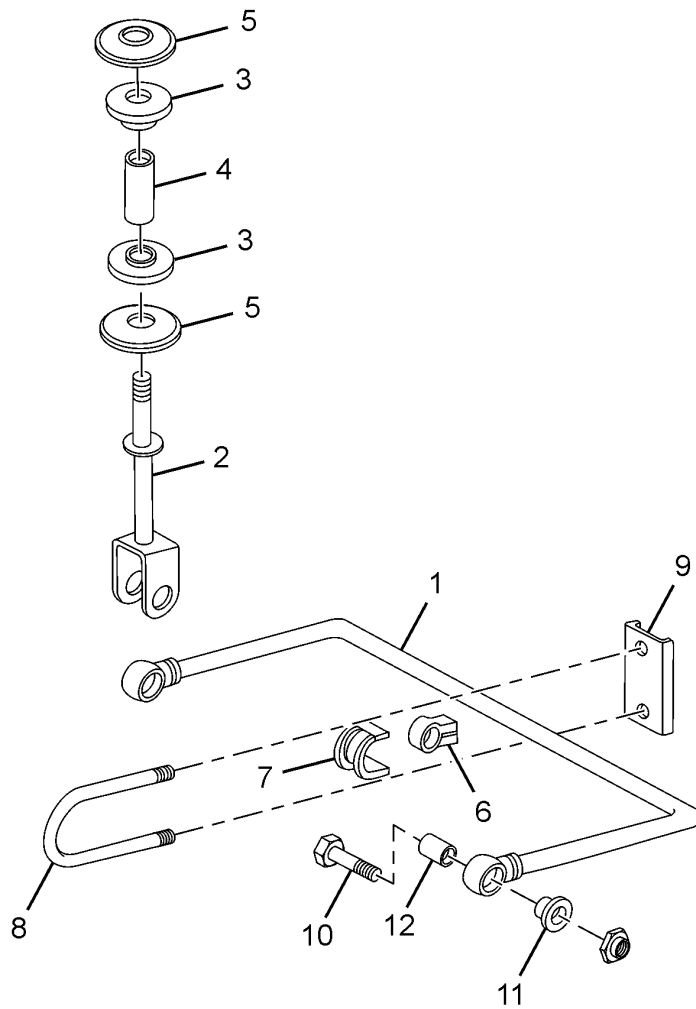
32.32.03		FRONT SHOCK ABSORBER		GROUP 32
CHASSIS TYPE: ALL				
FIG. NO.	PART NUMBER	DESCRIPTION	QTY	REMARKS
1	265132300103	FRONT SHOCK ABSORBER	2	
2	265132308201	WASHER	4	
3	NSP	WASHER A 15	4	
4	12140601401	NYLOC NUT M 14X15	8	
5	265132300109	ASSY. BRACKET FOR FRONT SHOCK ABSORBER AND CAB MTG. RH	1	
5	265132300126	ASSY. BRACKET FOR FRONT SHOCK ABSORBER AND CAB MTG. LH	1	
6	265132305107	BRACKET BOTTOM (FRONT SHOCK ABSORBER)	2	
8	265132308601	BUSH	2	

CHASSIS TYPE: ALL



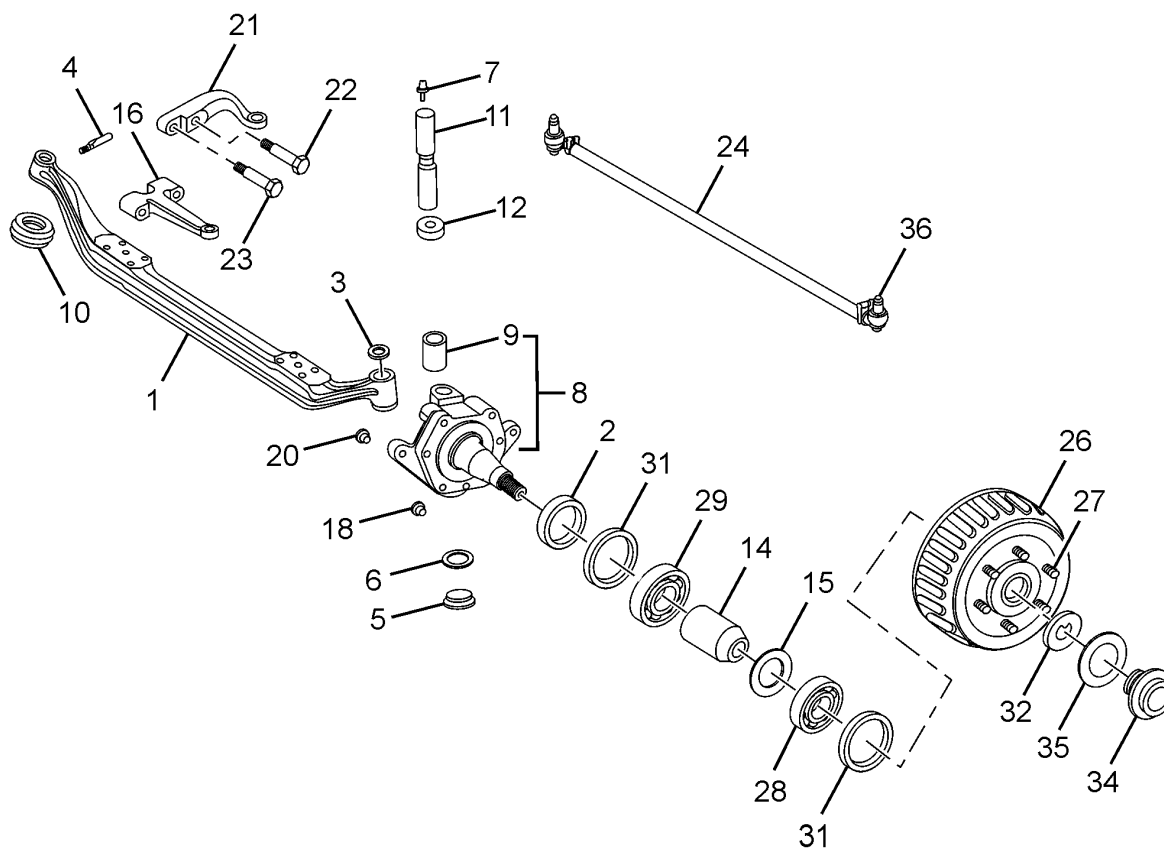
32.32.04		REAR SHOCK ABSORBER		GROUP 32
CHASSIS TYPE: ALL				
FIG. NO.	PART NUMBER	DESCRIPTION	QTY	REMARKS
1	265132600130	ASSY. BRACKET	2	
3	265132600121	REAR SHOCK ABSORBER	2	
4	265132608210	WASHER	4	
5	12140601606	NYLOC NUT M 16	2	
6	11063996116	HEX. BOLT M16X1.5X85	2	
7	11063916694	HEX. BOLT M16X1.5X110	2	

CHASSIS TYPE: ALL



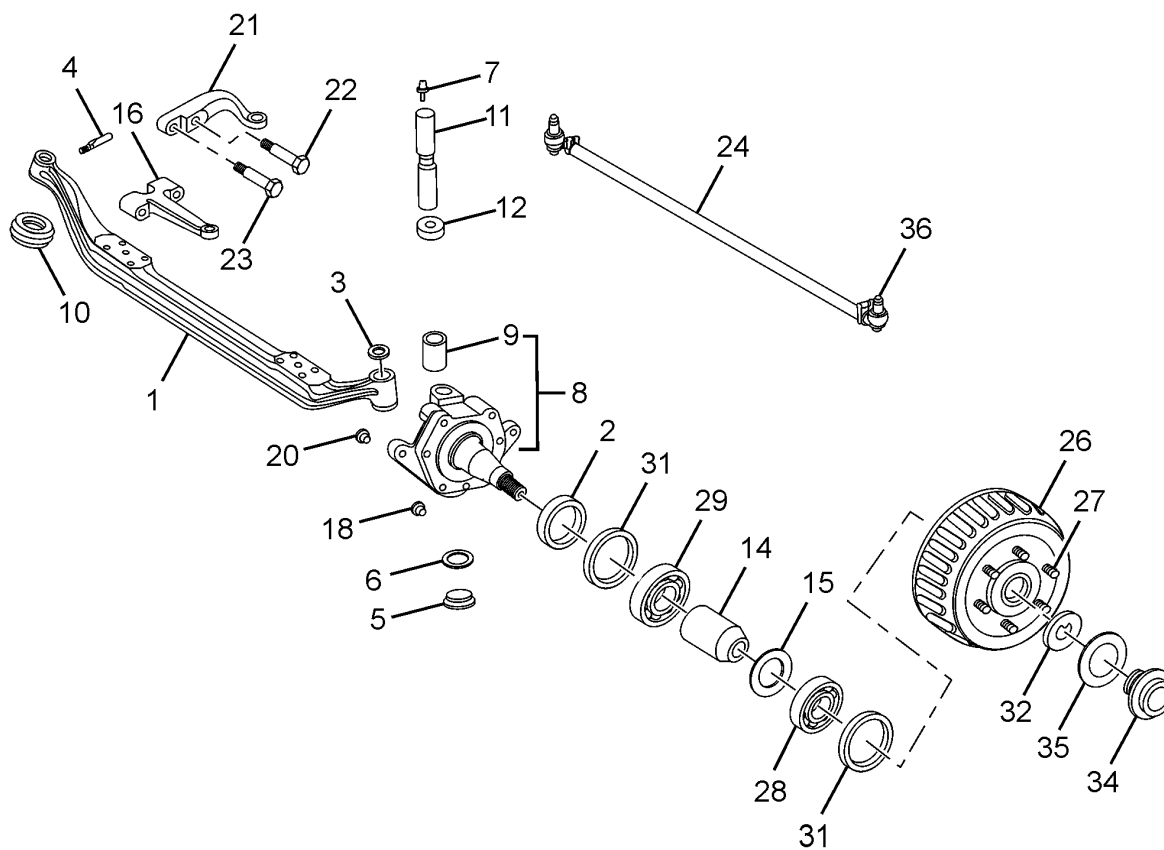
32.32.05		FRONT ANTIROLL BAR		GROUP 32	
CHASSIS TYPE: ALL					
FIG. NO.	PART NUMBER	DESCRIPTION	QTY	REMARKS	
1	265132800104	ASSY. ANTI - ROLL BAR FRONT	1		
2	265132800105	ASSY. CONNECTING ROD (FRONT ARB.)	2		
3	265132807703	RUBBER BUFFER	4		
4	265132806902	SPACER TUBE	2		
5	265132808203	CUP	4		
6	265132807705	BEARING BLOCK (FRONT ARB.)	2		
7	265132803802	CLAMP SUPPORT	2		
8	264032804202	'U' CLAMP (ANTI - ROLL BAR)	2		
9	264032807103	CLAMP PLATE	2		
10	11063996108	HEX BOLT M14X1.5X80	2		
11	259632807701	RUBBER BUSH	4		
12	259632806901	TUBE	2		

CHASSIS TYPE: ALL



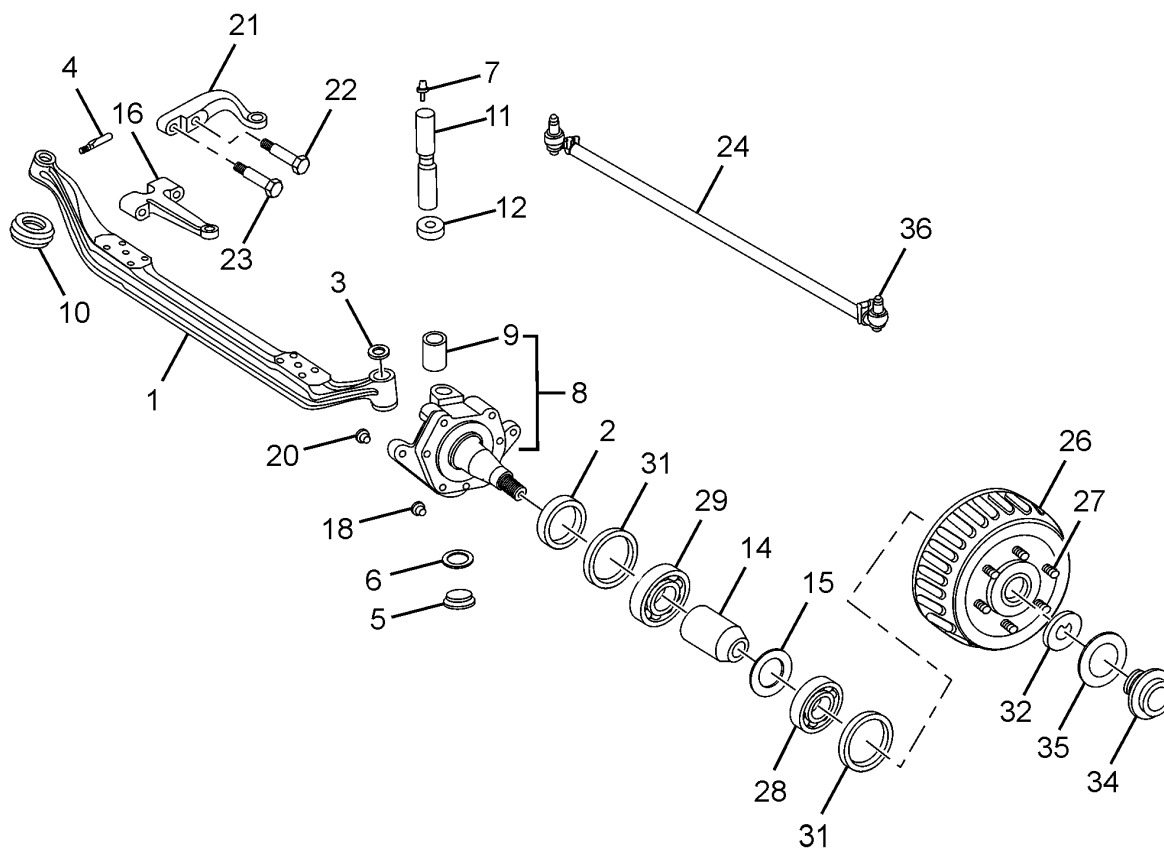
33.33.01		FRONT AXLE		GROUP 33	
CHASSIS TYPE: ALL					
FIG. NO.	PART NUMBER	DESCRIPTION	QTY	REMARKS	
—	265133000109	ASSY FRT.AXLE WITH BRAKES-LHD	1		
1	265133105111	FRONT AXLE BEAM	1		
2	264033408601	SEAL RACE (STUB AXLE)	2		
3	265133208608	SHIM 0.5 MM THICK	AR	FOR SELECTION	
3	265133208604	SHIM 0.1 MM THICK	AR	FOR SELECTION	
3	265133208605	SHIM 0.2 MM THICK	AR	FOR SELECTION	
3	265133208607	SHIM 0.4 MM THICK	AR	FOR SELECTION	
3	265133208610	SHIM 0.7 MM THICK	AR	FOR SELECTION	
3	265133208612	SHIM 0.8 MM THICK	AR	FOR SELECTION	
3	265133208613	SHIM 0.9 MM THICK	AR	FOR SELECTION	
3	265133208614	SHIM 1.0 MM THICK	AR	FOR SELECTION	
3	265133208615	SHIM 1.1 MM THICK	AR	FOR SELECTION	
3	265133208616	SHIM 1.2 MM THICK	AR	FOR SELECTION	
3	265133208617	SHIM 1.3 MM THICK	AR	FOR SELECTION	
3	265133208618	SHIM 1.4 MM THICK	AR	FOR SELECTION	
3	265133208619	SHIM 1.5 MM THICK	AR	FOR SELECTION	
3	265133208620	SHIM 1.6 MM THICK	AR	FOR SELECTION	
4	265133109902	COTTOR BOLT	2		
5	265133209905	KING PIN CAP	4		
6	17050501230	'O' RING 29.82X2.65	4		
7	17170700805	GREASE NIPPLE BM 6X1	2		
8	265133200131	ASSY. STUB AXLE (NORMAL)	2		
9	265133203404	STEERING BUSH	4		
10	265133403105	BEARING STEERING PIVOT (STD)	1		
11	265133206706	KING PIN (STD)	2		
12	265133403132	ASSY THRUST PAD(NORMAL) M/S TEXSPIN	1		
14	265133209907	SPACER	2		
15	265133208630	SHIM	AR		
15	265133208631	SHIM	AR		
15	265133208632	SHIM	AR		
15	265133208633	SHIM	AR		
15	265133208634	SHIM	AR		
15	265133208635	SHIM	AR		
15	265133208636	SHIM	AR		
15	265133208637	SHIM	AR		
15	265133208638	SHIM	AR		
15	265133208639	SHIM	AR		
16	265133805112	STEERING ARM (LHD)	1		
18	265133206304	DUST CAP	2		
20	265133206302	DUST CAP	4		

CHASSIS TYPE: ALL



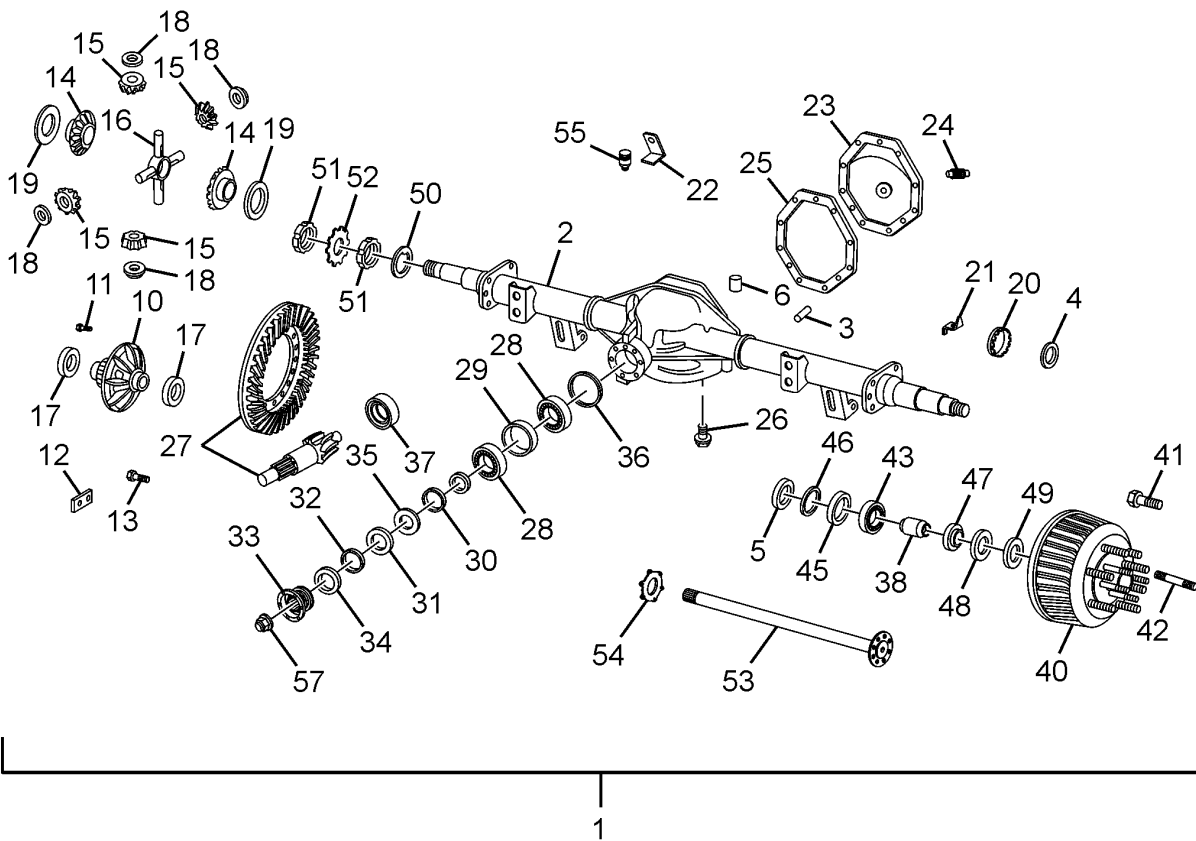
33.33.01		FRONT AXLE		GROUP 33
CHASSIS TYPE: ALL				
FIG. NO.	PART NUMBER	DESCRIPTION	QTY	REMARKS
21	265133805109	TIE ROD ARM LH	1	
21	265133805110	TIE ROD ARM RH	1	
22	265133803206	BOLT	2	
23	265133803207	BOLT	2	
24	265133800106	TIE ROD ASSY.	1	
26	265133403713	FRONT BRAKE DRUM WITH HUB	2	
27	264040106703	WHEEL MOUNTING PIN	12	
28	250626303101	TAPER ROLLER BEARING	2	
29	265135603101	TAPER ROLLER BEARING HUB INNER	2	
31	265133407804	OIL SEAL HUB	2	
32	265133409204	THRUST WASHER	2	
34	264033408206	HUB COVER (FRONT AXLE)	2	
35	264033405302	GASKET	2	
36	265133800104	BALL JOINT ASSY. WITH LH THREAD	1	
36	265133800105	BALL JOINT ASSY. WITH RH THREAD	1	
—	885433080407	KING PIN MINOR KIT CONSISTING OF:		
		COTTER BOLT	2	
		O' RING	4	
		CIRCLIP B-30	4	
		SEALING CAP	4	
		HEX NUT M8	2	
		SPRING WASHER	2	
		GREASE NIPPLE	4	
—	885433180407	KING PIN KIT WITH MINOR KIT & BUSH	1	
		STD CONSISTING OF:		
11		KING PIN STD	2	
		KING PIN BUSH	4	
		MINOR KIT	1	
—	885433010407	KING PIN KIT WITH MINOR KIT & BUSH	1	
		R/S I CONSISTING OF :		
11		KING PIN R/S I	2	
		KING PIN BUSH	4	
		MINOR KIT	1	
—	885433020407	KING PIN KIT WITH MINOR KIT & BUSH	1	
		R/S II		
		CONSISTING OF :		
11		KING PIN R/S II	2	
		KING PIN BUSH	4	
		MINOR KIT	1	
—	885433030407	KING PIN KIT WITH MINOR KIT & BUSH	1	
		STD I CONSISTING OF:		
11		KING PIN STD I	2	

CHASSIS TYPE: ALL



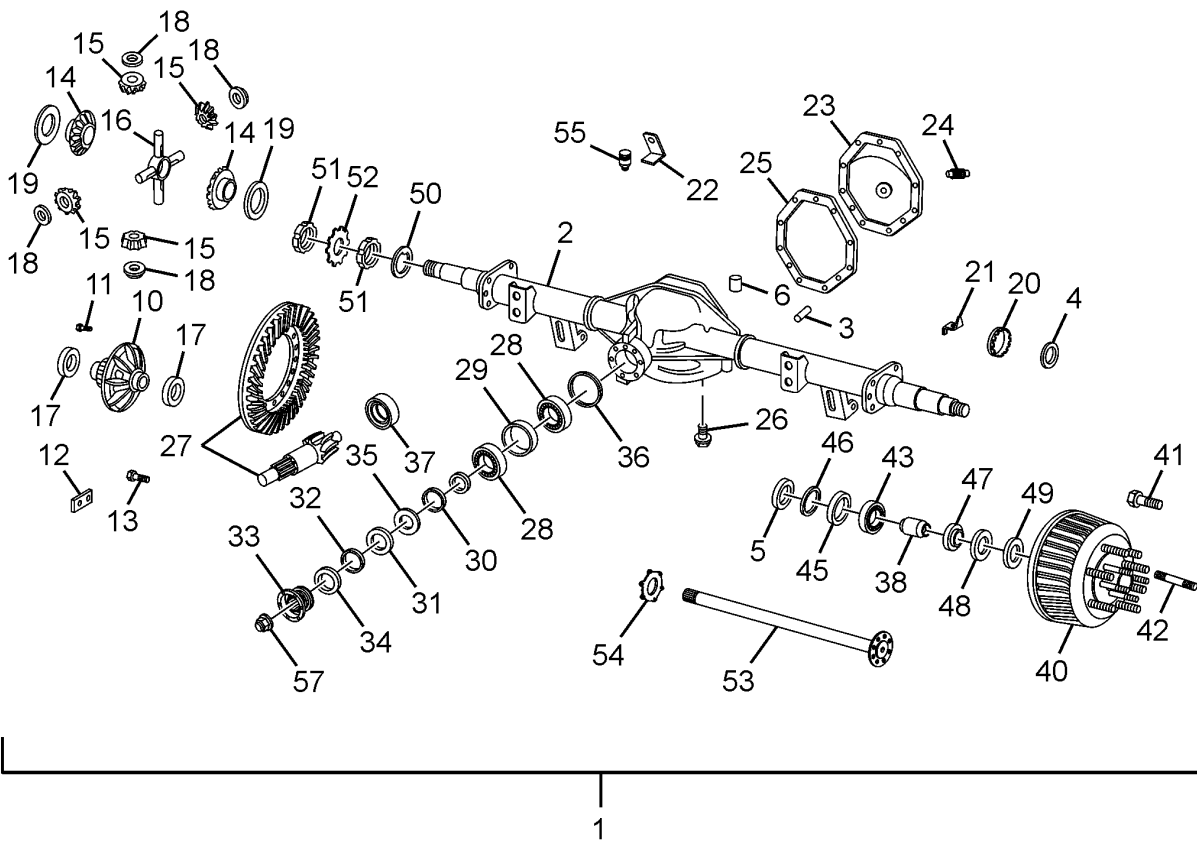
33.33.01		FRONT AXLE		GROUP 33
CHASSIS TYPE: ALL				
FIG. NO.	PART NUMBER	DESCRIPTION	QTY	REMARKS
—	885433040407	KING PIN BUSH	4	
11		MINOR KIT	1	
—	885433070407	KING PIN KIT WITH MINOR KIT & W/O BUSH STD CONSISTING OF :	1	
11		KING PIN STD	2	
—	885433050407	MINOR KIT	2	
11		KING PIN KIT WITH MINOR KIT & W/O BUSH STD I CONSISTING OF :	1	
—	885433060407	KING PIN STD I	2	
11		MINOR KIT	2	
—	885433050407	KING PIN KIT WITH MINOR KIT & W/O BUSH R/S I CONSISTING OF :	1	
11		KING PIN R/S I	2	
—	885433060407	MINOR KIT	1	
11		KING PIN KIT WITH MINOR KIT & W/O BUSH R/S II CONSISTING OF :	1	
—	885433060407	KING PIN R/S II	2	
11		MINOR KIT	1	

CHASSIS TYPE: ALL



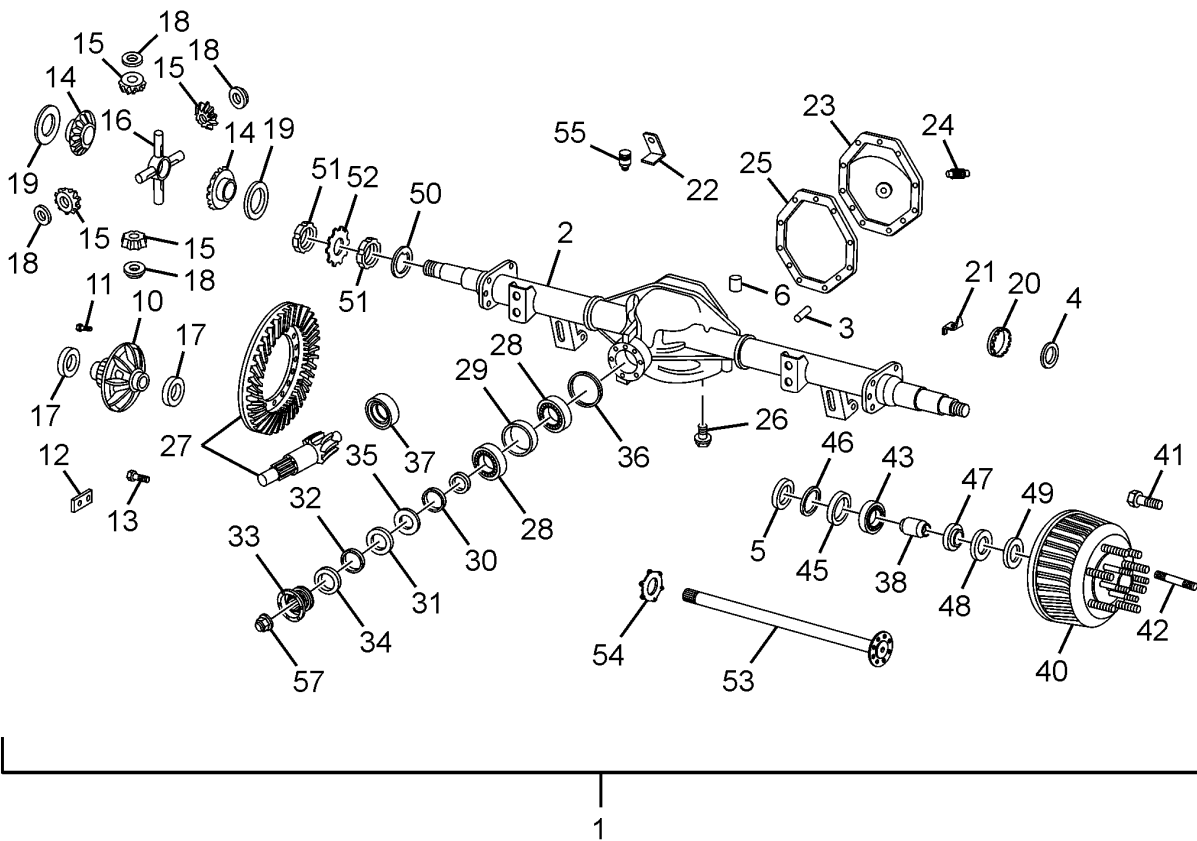
35.35.01		REAR AXLE(SINGLE TYPE)		GROUP 35	
CHASSIS TYPE: ALL					
FIG. NO.	PART NUMBER	DESCRIPTION	QTY	REMARKS	
1	266535000114	ASSY. RA COMP. WITH BRK. AND HAND BRAKE CABLE	1		
2	266535100106	ASSY.R.A.HSG. WITH SUPPORTING TUBE	1		
3	265142803401	THREADED PLUG	2		
4	265135108202	SLINGER	2		
5	265135108602	PRESSURE RING	2		
6	265135106701	CYLINDRICAL PIN	12		
10	265135300101	DIFFERENTIAL HOUSING ASSY.	1		
11	265135308002	HEX. COLLAR BOLT DIFFERENTIAL	8		
12	265135306101	LOCKING PLATE DIFFERENTIAL	8		
13	265135308001	HEX. COLLAR BOLT (CROWN WHEEL)	16		
17	266535303112	TAPER ROLLER BEARING DIFFERENTIAL	2		
18	265135309210	SPHERICAL WASHER	4		
19	265135309202	THRUST WASHER 1.25 THICK	2	FOR SELECTION	
19	265135309203	THRUST WASHER 1.30 THICK	2	FOR SELECTION	
19	265135309204	THRUST WASHER 1.35 THICK	2	FOR SELECTION	
19	265135309205	THRUST WASHER 1.40 THICK	2	FOR SELECTION	
19	265135309206	THRUST WASHER 1.45 THICK	2	FOR SELECTION	
19	265135309207	THRUST WASHER 1.50 THICK	2	FOR SELECTION	
19	265135309208	THRUST WASHER 1.55 THICK	2	FOR SELECTION	
20	265135306502	THREADED RING DIFFERENTIAL	2		
21	265135308202	LOCKING PLATE	2		
22	3129941201	LOCKING PLATE	2		
23	265135100102	ASSY. REAR COVER	1		
24	9970506	SCREW PLUG OIL FILLING	1		
25	265135105301	GASKET REAR COVER	1		
26	250626107203	MAGNETIC DRAIN PLUG	1		
27	266535300102	ASSY. CROWN WHEEL AND PINION 35/9	1		
—	265135308001	HEX SCREW (CROWN WHEEL)	16		
28	265135303102	TAPER ROLLER BEARING TAIL PINION	2		
29	265135308602	SPACER BET HYP. PINION BEARING	1		
30	266535308601	SPACER BET FLANGE	1		
31	266535306501	THREADED RING TAIL PINION	1		
32	265135307701	OIL SEAL	1		
33	266433350101	ASSY. COUPLING FLANGE	1		
34	266535308201	DUST COVER	1		
57	265141106502	HEX. NUT (M 26X1.5)	1		

CHASSIS TYPE: ALL



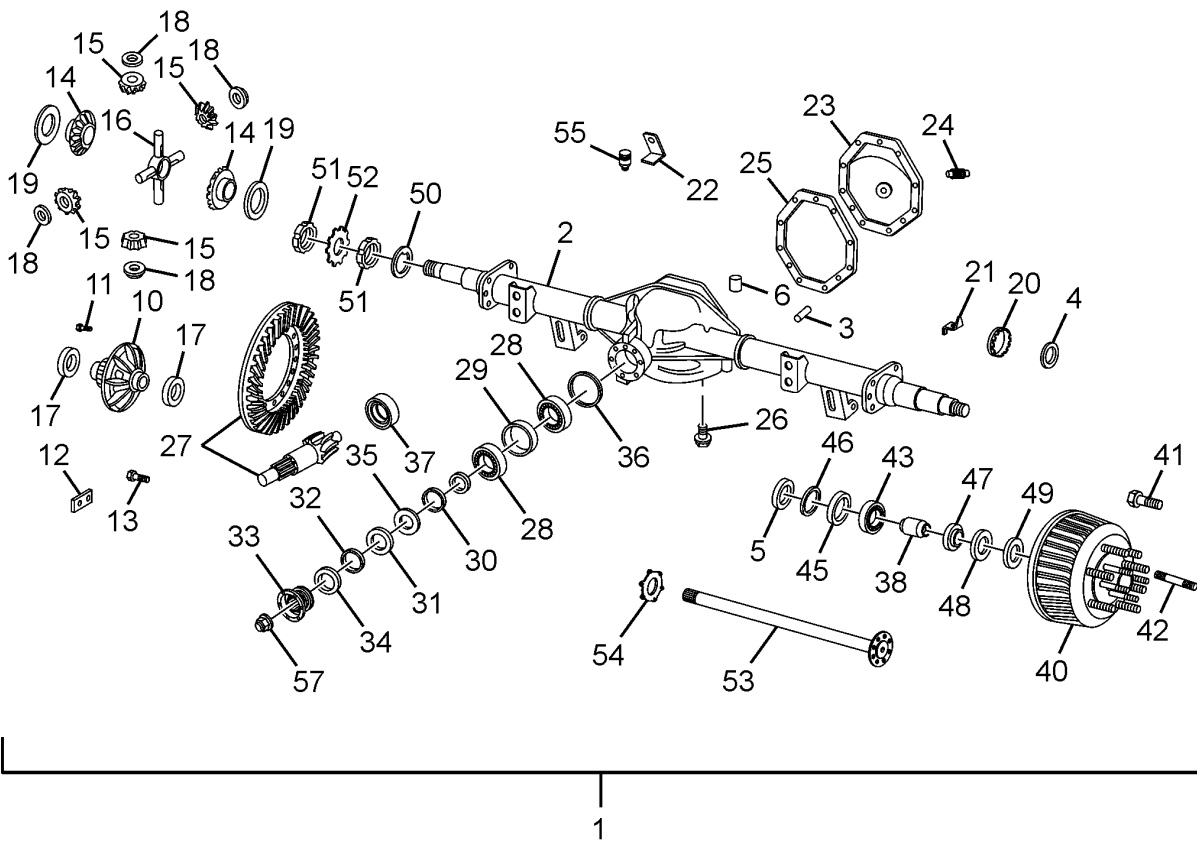
35.35.01		REAR AXLE(SINGLE TYPE)		GROUP 35	
CHASSIS TYPE: ALL					
FIG. NO.	PART NUMBER	DESCRIPTION	QTY	REMARKS	
35	265135308604	SPACER RING TAIL PINION 7.56 THICK	1	FOR SELECTION	
35	265135308605	SPACER RING TAIL PINION 7.54 THICK	1	FOR SELECTION	
35	265135308607	SPACER RING TAIL PINION 7.50 THICK	1	FOR SELECTION	
35	265135308608	SPACER RING TAIL PINION 7.48 THICK	1	FOR SELECTION	
35	265135308610	SPACER RING TAIL PINION 7.44 THICK	1	FOR SELECTION	
35	265135308611	SPACER RING TAIL PINION 7.42 THICK	1	FOR SELECTION	
35	265135308612	SPACER RING TAIL PINION 7.40 THICK	1	FOR SELECTION	
35	265135308613	SPACER RING TAIL PINION 7.38 THICK	1	FOR SELECTION	
35	265135308614	SPACER RING TAIL PINION 7.36 THICK	1	FOR SELECTION	
35	265135308615	SPACER RING TAIL PINION 7.34 THICK	1	FOR SELECTION	
35	265135308616	SPACER RING TAIL PINION 7.32 THICK	1	FOR SELECTION	
35	265135308620	SPACER RING TAIL PINION 7.60 THICK	1	FOR SELECTION	
35	265135308621	SPACER RING TAIL PINION 7.70 THICK	1	FOR SELECTION	
35	265135308623	SPACER RING TAIL PINION 7.90 THICK	1	FOR SELECTION	
35	265135308626	SPACER RING TAIL PINION 7.72 THICK	1	FOR SELECTION	
35	265135308627	SPACER RING TAIL PINION 7.74 THICK	1	FOR SELECTION	
35	265135308628	SPACER RING TAIL PINION 7.76 THICK	1	FOR SELECTION	
35	265135308630	SPACER RING TAIL PINION 7.82 THICK	1	FOR SELECTION	
35	265135308631	SPACER RING TAIL PINION 7.84 THICK	1	FOR SELECTION	
35	265135308632	SPACER RING TAIL PINION 7.86 THICK	1	FOR SELECTION	
35	265135308633	SPACER RING TAIL PINION 7.88 THICK	1	FOR SELECTION	

CHASSIS TYPE: ALL



35.35.01		REAR AXLE(SINGLE TYPE)		GROUP 35	
CHASSIS TYPE: ALL					
FIG. NO.	PART NUMBER	DESCRIPTION	QTY	REMARKS	
35	265135308634	SPACER RING TAIL PINION 7.58 THICK	1	FOR SELECTION	
35	265135308635	SPACER RING TAIL PINION 7.62 THICK	1	FOR SELECTION	
35	265135308636	SPACER RING TAIL PINION 7.64 THICK	1	FOR SELECTION	
35	265135308637	SPACER RING TAIL PINION 7.66 THICK	1	FOR SELECTION	
35	265135308638	SPACER RING TAIL PINION 7.68 THICK	1	FOR SELECTION	
35	265135308639	SPACER RING TAIL PINION 7.92 THICK	1	FOR SELECTION	
35	265135308640	SPACER RING TAIL PINION 7.94 THICK	1	FOR SELECTION	
35	265135308641	SPACER RING TAIL PINION 7.96 THICK	1	FOR SELECTION	
35	265135308642	SPACER RING TAIL PINION 7.98 THICK	1	FOR SELECTION	
35	265135308643	SPACER RING TAIL PINION 8.00 THICK	1	FOR SELECTION	
35	265135308644	SPACER RING TAIL PINION 8.02 THICK	1	FOR SELECTION	
35	265135308645	SPACER RING TAIL PINION 8.10 THICK	1	FOR SELECTION	
35	265135308646	SPACER RING TAIL PINION 8.20 THICK	1	FOR SELECTION	
36	265135308303	SHIM 0.10 THICK	AR	FOR SELECTION	
36	265135308304	SHIM 0.15 THICK	AR	FOR SELECTION	
36	265135308305	SHIM 0.20 THICK	AR	FOR SELECTION	
36	265135308306	SHIM 0.25 THICK	AR	FOR SELECTION	
36	265135308307	SHIM 0.50 THICK	AR	FOR SELECTION	
36	265135308308	SHIM 1.50 THICK	AR	FOR SELECTION	
36	265135308309	SHIM 0.30 THICK	AR	FOR SELECTION	
36	265135308310	SHIM 0.45 THICK	AR	FOR SELECTION	
37	265135303103	CYLINDRICAL ROLLER BEARING TAIL PINION	1		
38	266535608601	SPACER TUBE (BETWEEN HUB BEARING)	2		
40	266535603701	REAR BRAKE DRUM WITH HUB	2		
41	264040106703	HUB PIN	12		
42	266535608801	STUD	12		
43	265135603101	TAPER ROLLER BEARING HUB INNER	2		

CHASSIS TYPE: ALL



35.35.01		REAR AXLE(SINGLE TYPE)		GROUP 35
CHASSIS TYPE: ALL				
FIG. NO.	PART NUMBER	DESCRIPTION	QTY	REMARKS
45	265135608602	SPACER BET OIL SEAL AND INNER BEARING	2	
46	265135607701	OIL SEAL HUB INNER	2	
47	266535603108	TAPER ROLLER BEARING HUB OUTER	2	
48	265135608603	SPACER OIL SEAL AND OUTER BEARING	2	
49	265135607702	OIL SEAL HUB OUTER	2	
50	265135608601	SPACER BETWEEN OUTER BEARING AND LOCKING RING	2	OPTIONAL
50	265135608605	SPACER BETWEEN OUTER BEARING AND LOCKING RING	2	OPTIONAL
51	265135606501	LOCKING RING	4	
52	266535605301	GASKET HUB	2	
53	266535707902	REAR AXLE SHAFT	2	
54	266535605301	GASKET	2	
55	266835150102	PRESSURE RELIEF VALVE	1	
—	266535300104	DIFFERENTIAL GEAR KIT WITH SPIDER, CONSISTING OF :	1	
14		REAR AXLE SHAFT GEAR	2	
15		DIFFERENTIAL BEVEL PINION	4	
16		DIFFERENTIAL SPIDER	1	
18		SPHERICAL WASHER	4	
19		THRUST WASHER	2	

35.35.02

REAR AXLE (SINGLE TYRE-CHINA BEAM)

GROUP 35

CHASSIS TYPE: ALL

NO IMAGE

35.35.02		REAR AXLE (SINGLE TYRE-CHINA BEAM)		GROUP 35
CHASSIS TYPE: ALL				
FIG. NO.	PART NUMBER	DESCRIPTION	QTY	REMARKS
	266535000137	ASSY REAR AXLE WITH BRKS 35/9 W/SD CHINA BEAM	1	
1	266535000136	ASSY RA WITH HUBS 35/9 W/SD CHINA BEAM	1	
2	266535100120	ASSY.REAR AXLE BEAM (MACHINED) SD CHINA	1	
	266535110103	ASSY.CARRIER HOUSING	1	
5	265135108602	PRESSURE RING	2	
10	265135300101	DIFFERENTIAL HOUSING ASSY.	1	
11	265135308002	HEX. COLLAR BOLT DIFFERENTIAL	8	
12	265135306101	LOCKING PLATE DIFFERENTIAL	8	
13	265135308001	HEX. COLLAR BOLT (CROWN WHEEL)	16	
17	266535303112	TAPER ROLLER BEARING DIFFERENTIAL	2	
18	265135309210	SPHERICAL WASHER	4	
19	265135309202	THRUST WASHER 1.25 THICK	2	
19	265135309203	THRUST WASHER 1.30 THICK	2	
19	265135309204	THRUST WASHER 1.35 THICK	2	
19	265135309205	THRUST WASHER 1.40 THICK	2	
19	265135309206	THRUST WASHER 1.45 THICK	2	
19	265135309207	THRUST WASHER 1.50 THICK	2	
19	265135309208	THRUST WASHER 1.55 THICK	2	
20	265135306502	THREADED RING DIFFERENTIAL	2	
21	265135308202	LOCKING PLATE	2	
22	3129941201	LOCKING PLATE	2	
25	266535115301	GASKET (BETWEEN CARRIER & BEAM)	1	
26	266335107201	MAGNETIC DRAIN PLUG (ALLEN TYPE)	2	
27	266535300102	ASSY. CROWN WHEEL AND PINION 35/9	1	
—	265135308001	HEX SCREW (CROWN WHEEL)	16	
28	265135303102	TAPER ROLLER BEARING TAIL PINION	2	
29	265135308602	SPACER BET HYP. PINION BEARING	1	
30	266535308601	SPACER BET FLANGE	1	
31	266535306501	THREADED RING TAIL PINION	1	
32	265135307701	OIL SEAL	1	
33	266433350101	ASSY. COUPLING FLANGE	1	
34	266535308201	DUST COVER	1	
57	265141106502	HEX. NUT (M 26X1.5)	1	

35.35.02

REAR AXLE (SINGLE TYRE-CHINA BEAM)

GROUP 35

CHASSIS TYPE: ALL

NO IMAGE

35.35.02		REAR AXLE (SINGLE TYRE-CHINA BEAM)		GROUP 35
CHASSIS TYPE: ALL				
FIG. NO.	PART NUMBER	DESCRIPTION	QTY	REMARKS
35	265135308604	SPACER RING TAIL PINION 7.56 THICK	1	
35	265135308605	SPACER RING TAIL PINION 7.54 THICK	1	
35	265135308607	SPACER RING TAIL PINION 7.50 THICK	1	
35	265135308608	SPACER RING TAIL PINION 7.48 THICK	1	
35	265135308610	SPACER RING TAIL PINION 7.44 THICK	1	
35	265135308611	SPACER RING TAIL PINION 7.42 THICK	1	
35	265135308612	SPACER RING TAIL PINION 7.40 THICK	1	
35	265135308613	SPACER RING TAIL PINION 7.38 THICK	1	
35	265135308614	SPACER RING TAIL PINION 7.36 THICK	1	
35	265135308615	SPACER RING TAIL PINION 7.34 THICK	1	
35	265135308616	SPACER RING TAIL PINION 7.32 THICK	1	
35	265135308620	SPACER RING TAIL PINION 7.60 THICK	1	
35	265135308621	SPACER RING TAIL PINION 7.70 THICK	1	
35	265135308623	SPACER RING TAIL PINION 7.90 THICK	1	
35	265135308626	SPACER RING TAIL PINION 7.72 THICK	1	
35	265135308627	SPACER RING TAIL PINION 7.74 THICK	1	
35	265135308628	SPACER RING TAIL PINION 7.76 THICK	1	
35	265135308630	SPACER RING TAIL PINION 7.82 THICK	1	
35	265135308631	SPACER RING TAIL PINION 7.84 THICK	1	
35	265135308632	SPACER RING TAIL PINION 7.86 THICK	1	
35	265135308633	SPACER RING TAIL PINION 7.88 THICK	1	

35.35.02

REAR AXLE (SINGLE TYRE-CHINA BEAM)

GROUP 35

CHASSIS TYPE: ALL

NO IMAGE

35.35.02		REAR AXLE (SINGLE TYRE-CHINA BEAM)		GROUP 35
CHASSIS TYPE: ALL				
FIG. NO.	PART NUMBER	DESCRIPTION	QTY	REMARKS
35	265135308634	SPACER RING TAIL PINION 7.58 THICK	1	
35	265135308635	SPACER RING TAIL PINION 7.62 THICK	1	
35	265135308636	SPACER RING TAIL PINION 7.64 THICK	1	
35	265135308637	SPACER RING TAIL PINION 7.66 THICK	1	
35	265135308638	SPACER RING TAIL PINION 7.68 THICK	1	
35	265135308639	SPACER RING TAIL PINION 7.92 THICK	1	
35	265135308640	SPACER RING TAIL PINION 7.94 THICK	1	
35	265135308641	SPACER RING TAIL PINION 7.96 THICK	1	
35	265135308642	SPACER RING TAIL PINION 7.98 THICK	1	
35	265135308643	SPACER RING TAIL PINION 8.00 THICK	1	
35	265135308644	SPACER RING TAIL PINION 8.02 THICK	1	
35	265135308645	SPACER RING TAIL PINION 8.10 THICK	1	
35	265135308646	SPACER RING TAIL PINION 8.20 THICK	1	
36	265135308303	SHIM 0.10 THICK	AR	
36	265135308304	SHIM 0.15 THICK	AR	
36	265135308305	SHIM 0.20 THICK	AR	
36	265135308306	SHIM 0.25 THICK	AR	
36	265135308307	SHIM 0.50 THICK	AR	
36	265135308308	SHIM 1.50 THICK	AR	
36	265135308309	SHIM 0.30 THICK	AR	
36	265135308310	SHIM 0.45 THICK	AR	
37	265135303103	CYLINDRICAL ROLLER BEARING TAIL PINION	1	
38	266535608601	SPACER TUBE (BETWEEN HUB BEARING)	2	
40	266535603701	REAR BRAKE DRUM WITH HUB	2	
41	264040106703	HUB PIN	12	
42	266535608801	STUD	12	
43	265135603101	TAPER ROLLER BEARING HUB INNER	2	

35.35.02

REAR AXLE (SINGLE TYRE-CHINA BEAM)

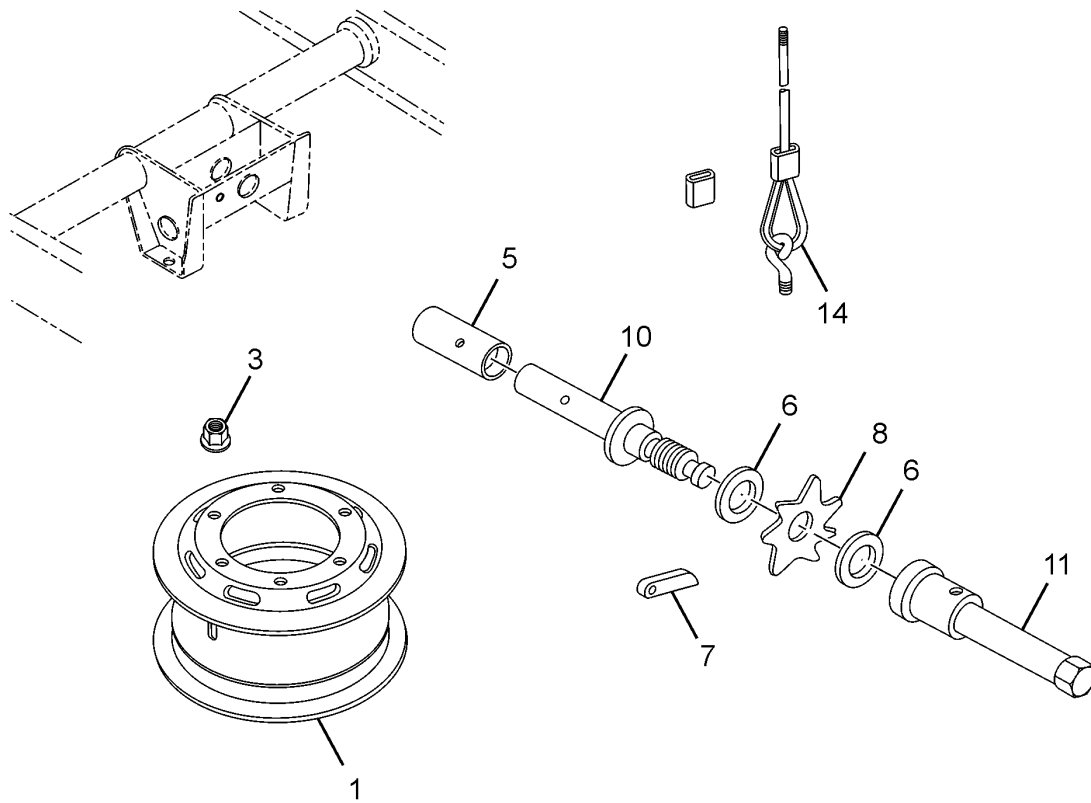
GROUP 35

CHASSIS TYPE: ALL

NO IMAGE

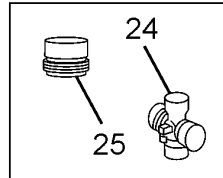
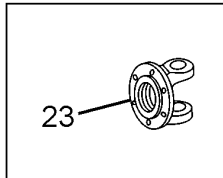
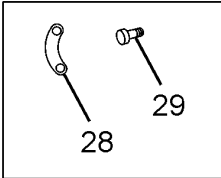
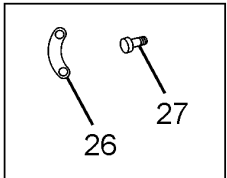
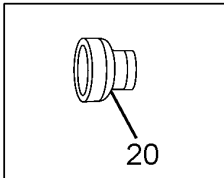
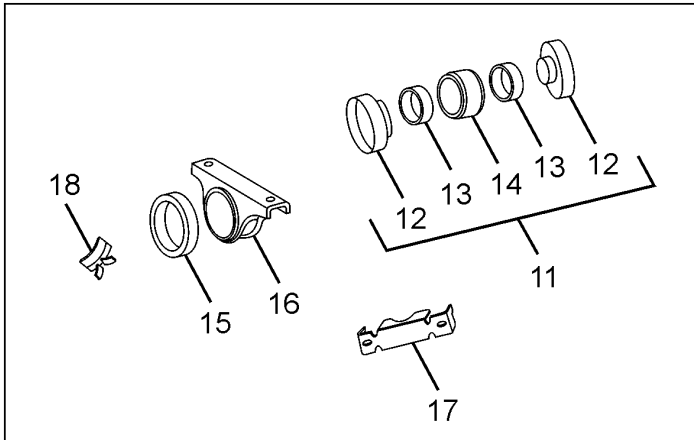
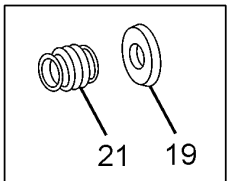
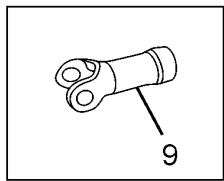
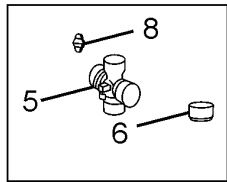
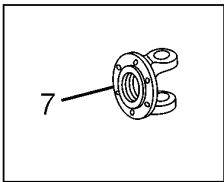
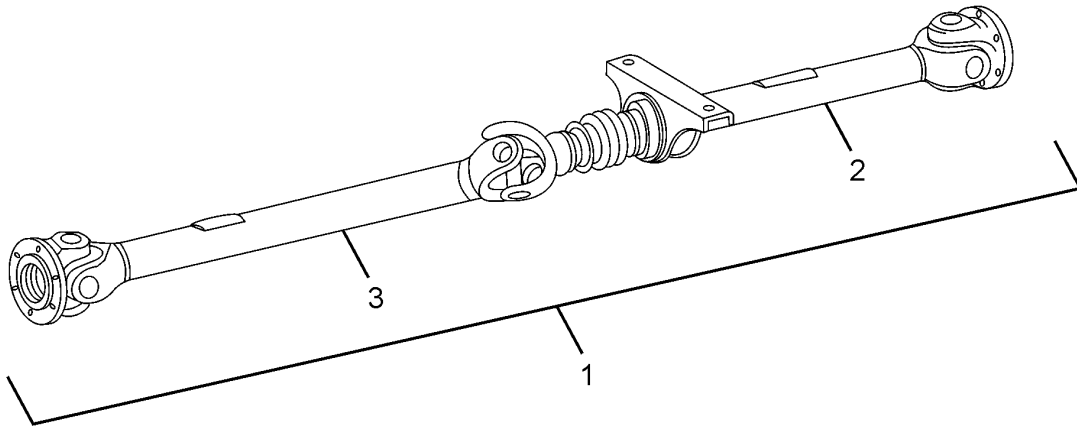
35.35.02		REAR AXLE (SINGLE TYRE-CHINA BEAM)		GROUP 35
CHASSIS TYPE: ALL				
FIG. NO.	PART NUMBER	DESCRIPTION	QTY	REMARKS
45	265135608602	SPACER BET OIL SEAL AND INNER BEARING	2	
46	265135607701	OIL SEAL HUB INNER	2	
47	266535603108	TAPER ROLLER BEARING HUB OUTER	2	
48	265135608603	SPACER OIL SEAL AND OUTER BEARING	2	
49	265135607702	OIL SEAL HUB OUTER	2	
50	265135608601	SPACER BETWEEN OUTER BEARING AND LOCKING RING	2	
50	265135608605	SPACER BETWEEN OUTER BEARING AND LOCKING RING	2	
51	265135606501	LOCKING RING	4	
52	266535605301	GASKET HUB	2	
53	266535707902	REAR AXLE SHAFT	2	
54	266535605301	GASKET	2	
55	266835150102	PRESSURE RELIEF VALVE	1	
—	266535300104	DIFFERENTIAL GEAR KIT WITH SPIDER, CONSISTING OF :	1	
14		REAR AXLE SHAFT GEAR	2	
15		DIFFERENTIAL BEVEL PINION	4	
16		DIFFERENTIAL SPIDER	1	
18		SPHERICAL WASHER	4	
19		THRUST WASHER	2	

CHASSIS TYPE: ALL



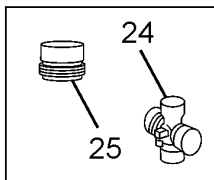
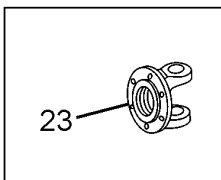
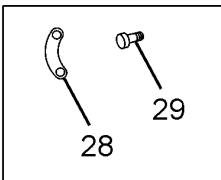
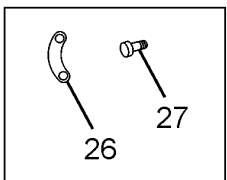
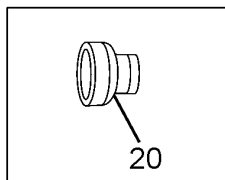
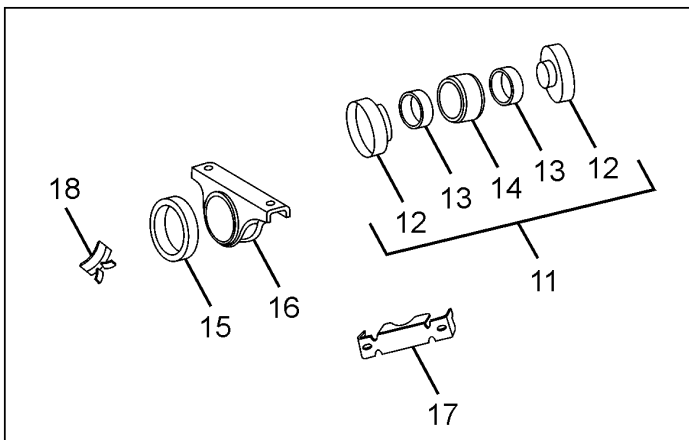
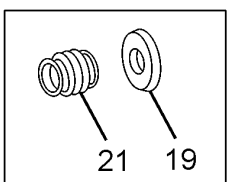
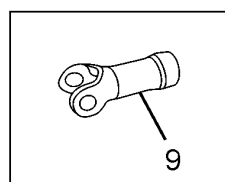
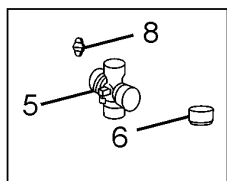
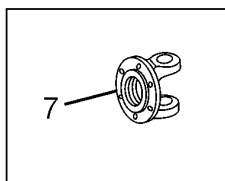
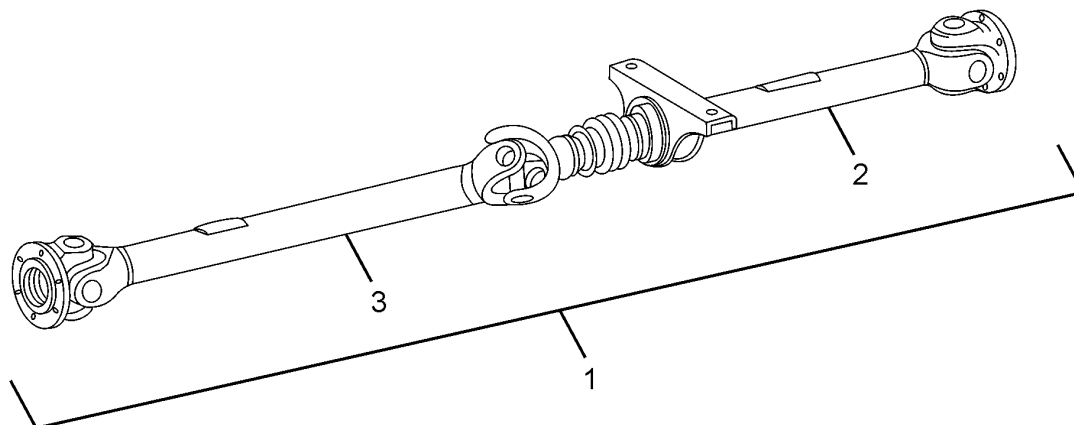
40.40.01		WHEEL AND SPARE WHEEL CARRIER		GROUP 40
CHASSIS TYPE: ALL				
FIG. NO.	PART NUMBER	DESCRIPTION	QTY	REMARKS
1	265140100198	WHEEL RIM 6.00 G X 16	5	
3	264040100101	ASSY WHEEL NUT	24	
5	265140308401	SLEEVE	1	
6	257340306301	FRICTION PAD	2	
7	257640307109	RATCHET ARM	1	
8	257640307108	RATCHET WHEEL	1	
10	265140300115	ASSY. SHAFT	1	
11	270540300101	ASSY. HANDLE	1	
14	265140300146	ASSY. WIRE ROPE	1	
-	264033408206	HUB COVER (FRONT AXLE)	2	

CHASSIS TYPE: ALL



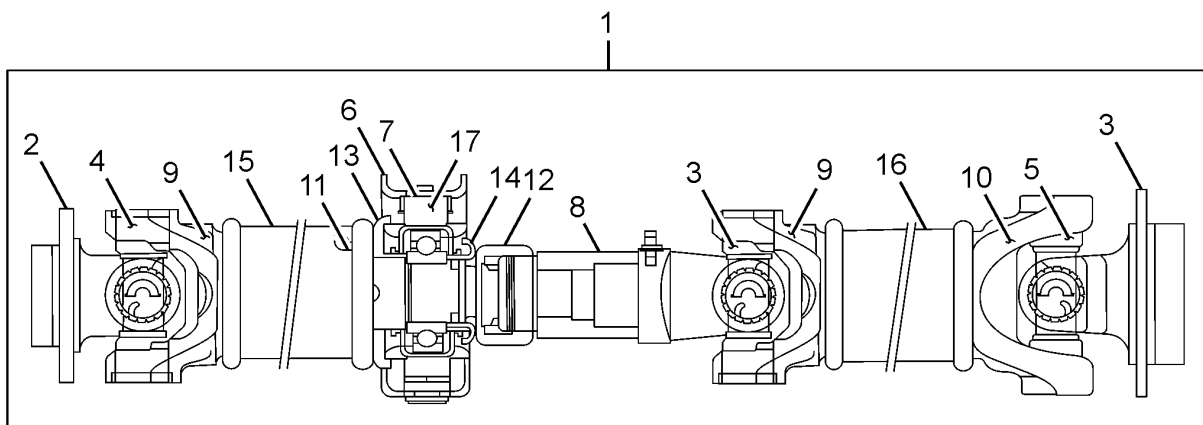
41.41.01		PROPELLER SHAFT		GROUP 41	
CHASSIS TYPE: ALL					
FIG. NO.	PART NUMBER	DESCRIPTION	QTY	REMARKS	
1	265141000102	ASSY.UNITISED PROP.SHAFT COMPLETE	1		
2	265141110129	ASSY. PROPELLER SHAFT COMPLETE FRONT	1		
3	265141120106	ASSY. PROPELLER SHAFT REAR COMPLETE	1		
7	265141105102	U J FLANGE	1		
—	265141114311	CIRCLIP	4		
9	265141100101	ASSY. LONG FORK	1		
11	265441300104	ASSY. CENTRE BEARING	1		
12	265441308205	DUST SEAL RETAINER	2		
13	265441307802	DUST SEAL	2		
14	265441303101	SRDG. BALL BEARING	1		
15	265441307503	RUBBER BEARING (PROPELLER SHAFT CENTRE BEARING)	1		
16	265141303301	ASSY. CENTRE BEARING BRACKET	1		
17	269841304201	CLAMP	1		
18	269841308202	RETAINER	2		
19	269841308203	DUST COVER	1		
20	265141118603	SPACER	1		
21	265141120101	ASSY. PROTECTIVE CAP	1		
23	3124111111	UNIVERSAL JOINT FLANGE	1		
26	265141108001	FITTING SCREW	6	FOR FRONT PROP TO GB	
27	265141108230	LOCKING PLATE	3	FOR FRONT PROP TO GB	
—	265141106502	HEX MUT (M26 X 1.5)	1		
28	3219901501	FITTING SCREW	6	FOR PRR. SH. REAR TO R.A.	
29	250526406101	LOCKING PLATE	3	FOR PRR. SH. REAR TO R.A.	
—	265131408231	GUARD	1		
—	265141100128	REPAIR KIT CROSS REPAIR KIT CONSISTING OF:	1		
5		ASSY. CROSS	1		
6		ASSY. BEARING CUP	1		
8		GREASE NIPPLE	1		
—		HEX LOCK NUT M 8 X 1	1		
—	885441011210	ASSY. CROSS KIT CONSISTING OF:	1		
24		ASSY. CROSS	1		
25		ASSY. BEARING CUP	1		

CHASSIS TYPE: ALL



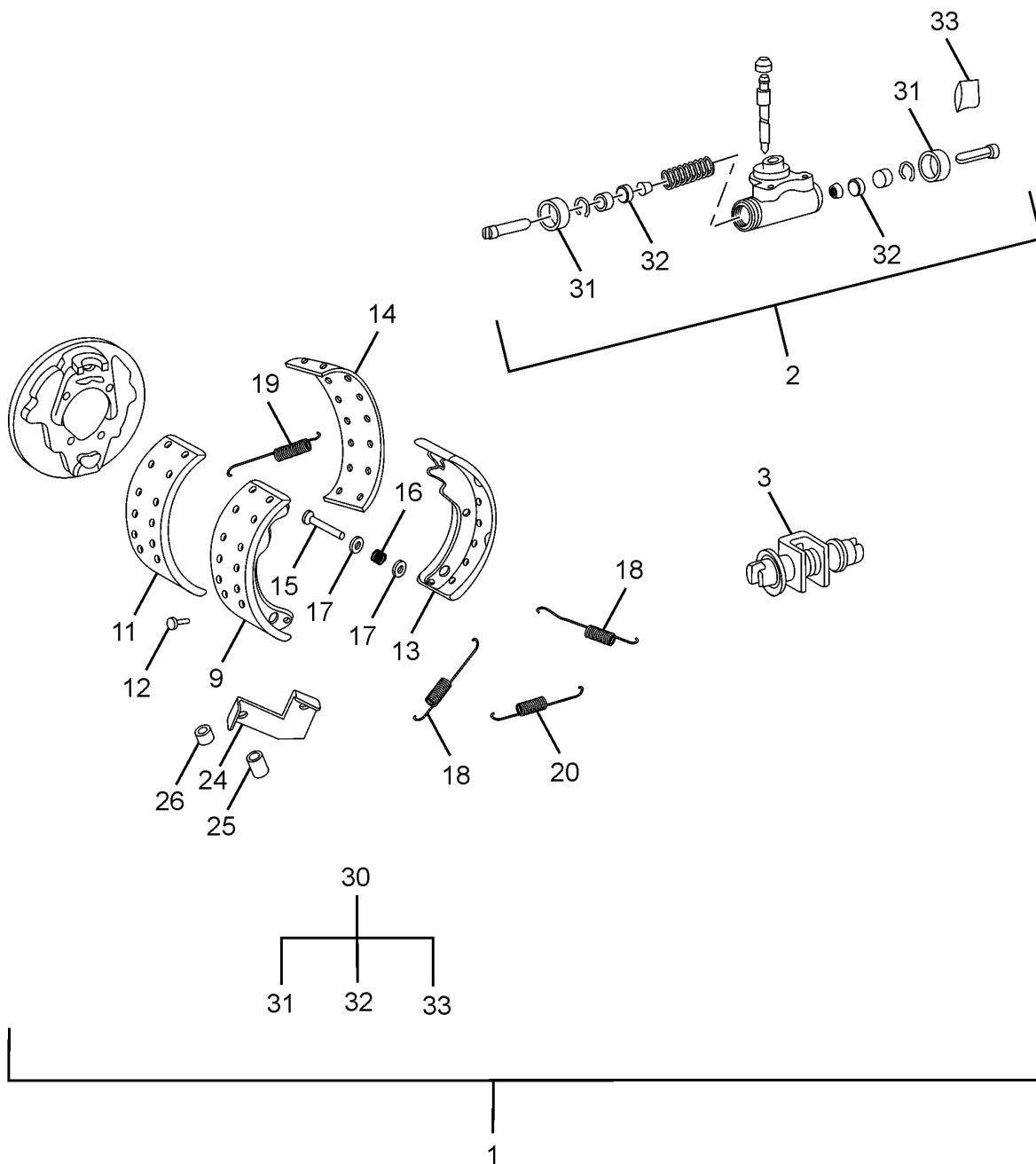
41.41.01		PROPELLER SHAFT		GROUP 41	
CHASSIS TYPE: ALL					
FIG. NO.	PART NUMBER	DESCRIPTION	QTY	REMARKS	
—		CLOSING RING	1		
—		GREASE NIPPLE	1		
—		LOCK NUT	1		
—		SPRING RING	1		

CHASSIS TYPE: ALL



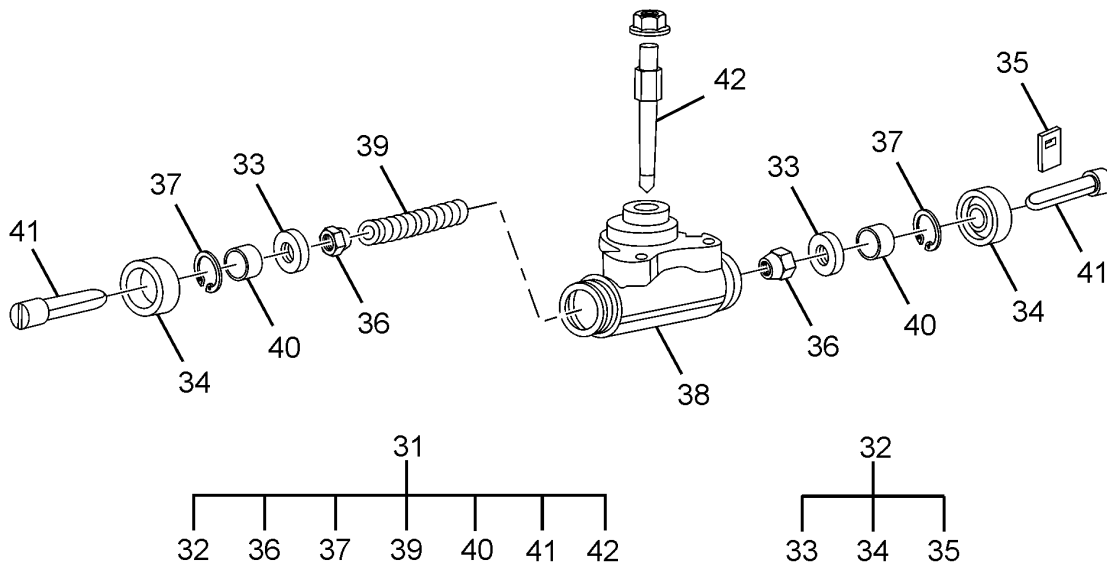
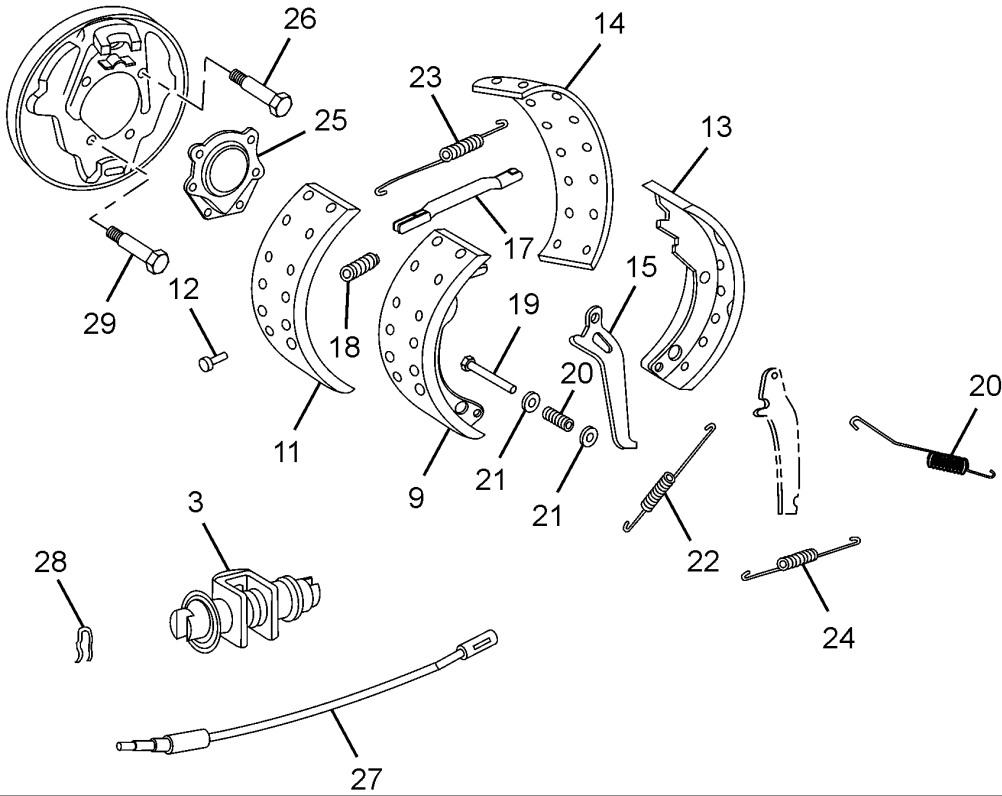
41.41.02		PROPELLER SHAFT (MSL MAKE)		GROUP 41	
CHASSIS TYPE: ALL					
FIG. NO.	PART NUMBER	DESCRIPTION	QTY	REMARKS	
1	265141000110	ASSY.UNITISED PROP.SHAFT (M/S MSL)	1		
2	265141105121	1350 FLANGE YOKE	1		
3	265141125101	1410 FLANGE YOKE	1		
4	265141105122	1350 U.J.KIT	1		
5	265141105123	1410 U.J.KIT	1		
6	265141108232	CENTER BEARING BRACKET	1		
7	265141107501	CENTER BEARING RUBBER	1		
8	265141105124	SLEEVE YOKE	1		
9	265141105125	1350 STUB YOKE	1		
10	265141125102	1410 STUB YOKE	1		
11	265141105126	BEARING PLUG SHAFT	1		
12	265141108233	DUST CAP FOR SLEEV YOKE	1		
13	265141108234	FLINGER	1		
14	265141108235	DUST COVER (SHIELD)	1		
15	265141110147	ASSY FRONT SHAFT	1		
15	265141110148	ASSY SHAFT FRONT	1		
16	265141120115	ASSY.REAR SHAFT	1		
17	265141100146	CENTER BEARING KIT	1		

CHASSIS TYPE: ALL



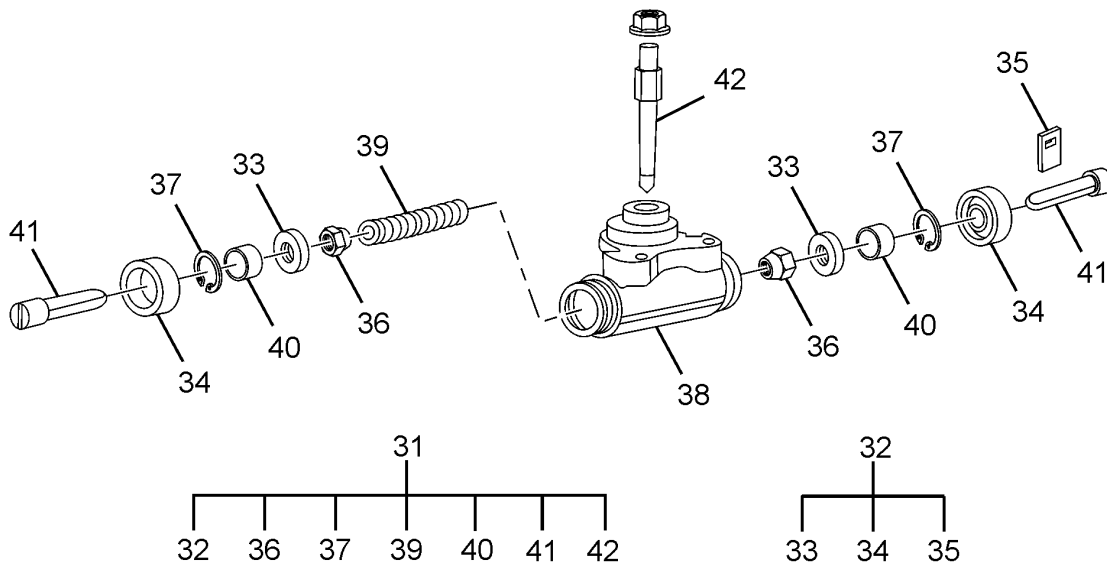
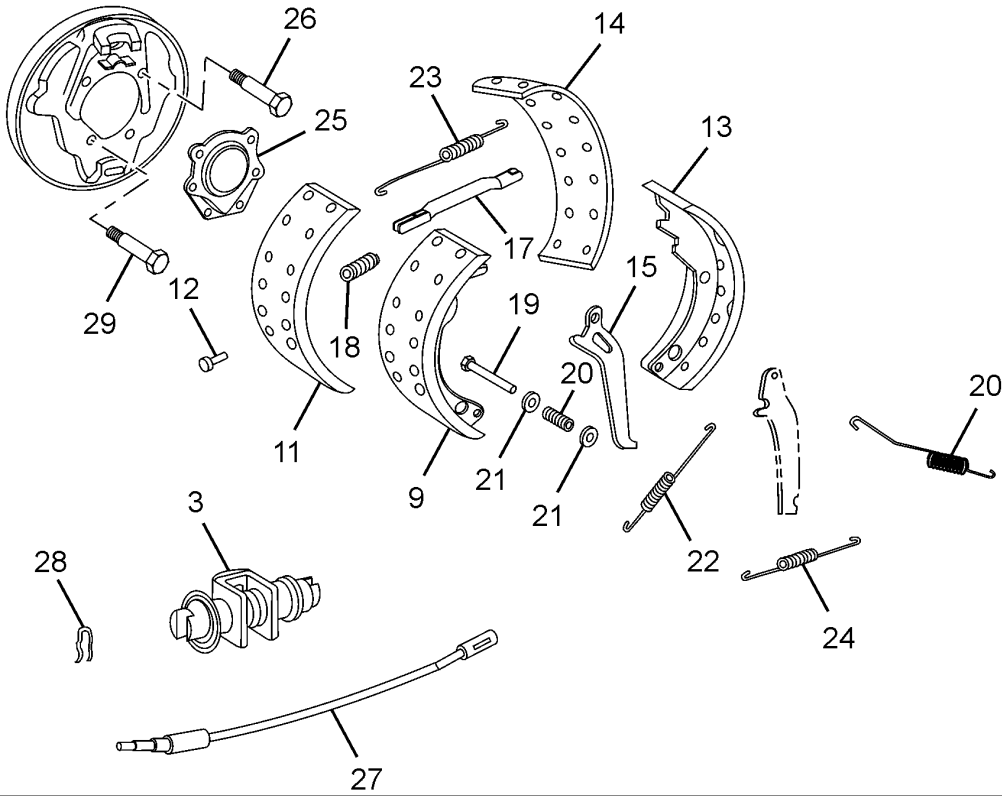
42.42.01		FRONT WHEEL BRAKES		GROUP 42
CHASSIS TYPE: ALL				
FIG. NO.	PART NUMBER	DESCRIPTION	QTY	REMARKS
1	265142100171	ASSY. FRONT AXLE BRAKE-LH	2	
1	265142100172	ASSY. FRONT AXLE BRAKE-RH	2	
2	264042120105	ASSY. WHEEL CYLINDER 22.22 DIA.	2	
3	265142100121	ASSY. ADJUSTER COMPLETE	2	
9	265142130128	ASSY.BRAKE SHOE W/LINING PRIM-SA63SM	2	
11	264042136306	BRAKE LINING PRIMARY NORMAL, 9.8 MM THICK	2	FOR SELECTION
11	264042136307	BRAKE LINING PRIMARY R/S I, 10.8 MM THICK	2	FOR SELECTION
11	264042136308	BRAKE LINING PRIMARY R/S II, 11.8 MM THICK	2	FOR SELECTION
12	13442506102	HOLLOW RIVET 6X10 ST.	12	
13	265142130129	ASY.BRK SHOE W.LINING SEC-SA63SM (ASB)	2	
14	264042136302	BRAKE LINING SECONDARY NORMAL 9.8 MM THICK	2	FOR SELECTION
14	264042136303	BRAKE LINING SECONDARY R/S I 10.8 MM THICK	2	FOR SELECTION
14	264042136304	BRAKE LINING SECONDARY R/S II 11.8 MM THICK	2	FOR SELECTION
15	264042106701	PIN	4	
16	265142308701	SPRING (AXIAL RETAINING)	4	
17	265142308215	COVER	4	
18	264042108705	RETURN SPRING (CENTRE)	4	
19	264042108704	SPRING (SHOE RETURN TOP)	2	
20	265142108706	RETURN SPRING (BOTTOM)	2	
24	265142107103	LOCK PLATE	2	
25	265142107707	PLUG	4	
26	265142307705	PLUG	4	
		REPAIR KITS		
30	264042120108	REPAIR KIT (MINOR) FOR WHEEL CYLINDER (22.22 MM DIA.) CONSISTING OF :	1	
31		RUBBER BOOT	2	
32		CUP SEAL	2	
33		GREASE TUBE	1	
-	265142100152	ASSY AUTO ADJUSTER-NEW	1	
-	270542100132	ASSY ANCHOR PLATE FRONT-LH	1	
-	270542100133	ASSY ANCHOR PLATE FRONT-RH	1	

CHASSIS TYPE: ALL



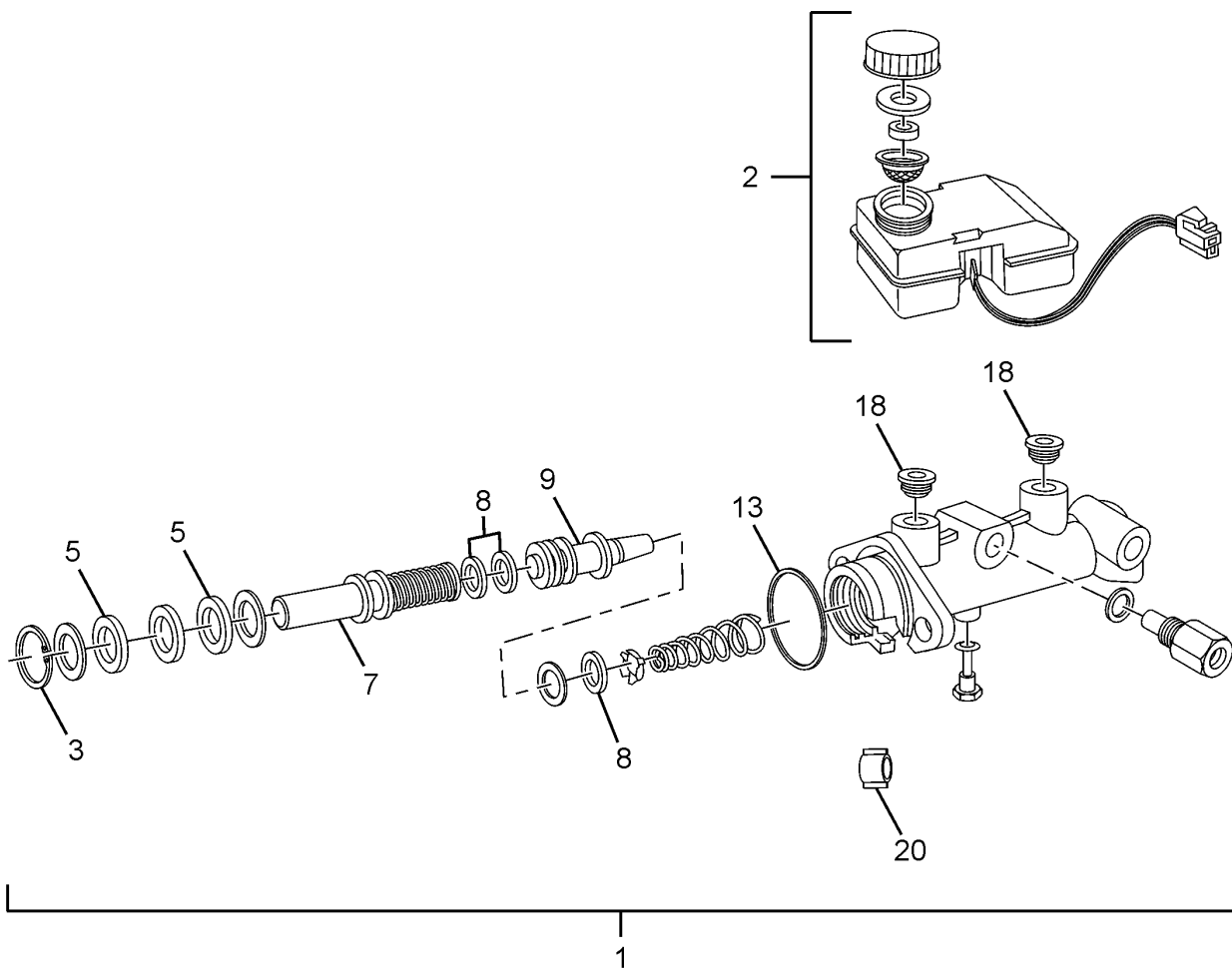
42.42.02		REAR WHEEL BRAKES		GROUP 42
CHASSIS TYPE: ALL				
FIG. NO.	PART NUMBER	DESCRIPTION	QTY	REMARKS
1	265142310164	ASSY REAR AXLE BRAKE LH (SFC 406)	1	
1	265142310165	ASSY REAR AXLE BRAKE RH (SFC 406)	1	
2	265142300165	ASSY. WHEEL CYLINDER 17.78 DIA.	2	
3	265142100121	ASSY. ADJUSTER COMPLETE	2	
9	265142130128	ASSY.BRAKE SHOE W/LINING PRIM-SA63SM	2	
11	264042136306	BRAKE LINING PRIMARY NORMAL, 9.8 MM THICK	2	FOR SELECTION
11	264042136307	BRAKE LINING PRIMARY R/S I, 10.8 MM THICK	2	FOR SELECTION
11	264042136308	BRAKE LINING PRIMARY R/S II, 11.8 MM THICK	2	FOR SELECTION
12	13442506102	HOLLOW RIVET 6X10 ST.	12	
13	265142130129	ASSY.BRAKE SHOE W/LINING PRIM-SA63SM	2	
14	264042136302	BRAKE LINING SECONDARY NORMAL 9.8 MM THICK	2	FOR SELECTION
14	264042136303	BRAKE LINING SECONDARY R/S I 10.8 MM THICK	2	FOR SELECTION
14	264042136304	BRAKE LINING SECONDARY R/S II 11.8 MM THICK	2	FOR SELECTION
15	264042306001	BRAKE LEVER RH	1	
15	264042306002	BRAKE LEVER LH	1	
17	264042300105	ASSY. THRUST ROD LH	1	
17	264042300106	ASSY. THRUST ROD RH	1	
18	264042308701	THRUST SPRING	2	
19	264042106701	PIN	4	
20	265142308701	SPRING (AXIAL RETAINING)	4	
21	265142308215	COVER	4	
22	264042108705	RETURN SPRING (CENTRE)	4	
23	264042108704	SPRING	2	
24	265142108706	RETURN SPRING (BOTTOM)	1	
25	265142308233	OIL CATCHER	2	
26	257342308004	HEX. SCREW	4	
27	265242700120	ASSY. PARKING BRAKE CABLE REAR	2	
28	265142704301	CLIP	2	
29	264142308001	HEX. SCREW	4	
32	265142300167	REPAIR KIT (MINOR) WHEEL CYLINDER (17.85 MM DIA.) CONSISTING OF :	1	

CHASSIS TYPE: ALL



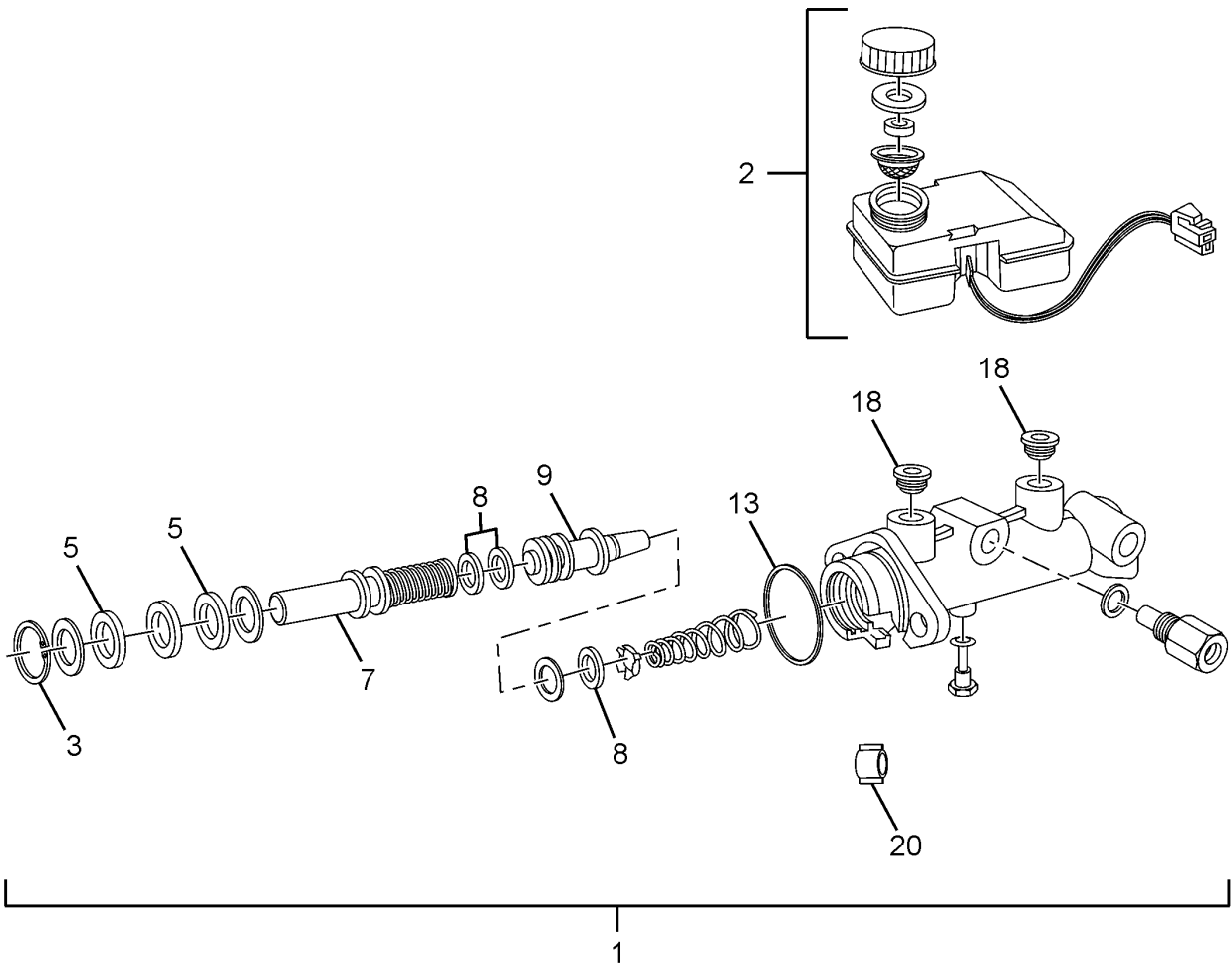
42.42.02		REAR WHEEL BRAKES		GROUP 42	
CHASSIS TYPE: ALL					
FIG. NO.	PART NUMBER	DESCRIPTION	QTY	REMARKS	
33	265142300171	LIP SEAL	2		
34		RUBBER BOOT	2		
35		GREASE TUBE	1		
31		REPAIR KIT (MINOR) WHEEL CYLINDER (17.78 MM DIA.) CONSISTING OF :	1		
33		LIP SEAL	2		
34		RUBBER BOOT	2		
35		GREASE TUBE	1		
36		CAP	1		
37		CIRCLIP	2		
38		BODY	1		
39		SPRING	1		
40		PISTON	2		
41		PUSH ROD	2		
42		BLEEDER SCREW	1		
-		265142100152	ASSY AUTO ADJUSTER-NEW	1	
-		265142310133	ASSY ANCHOR PLATE REAR-LH	1	
-		265142310134	ASSY ANCHOR PLATE REAR-RH	1	

CHASSIS TYPE: ALL



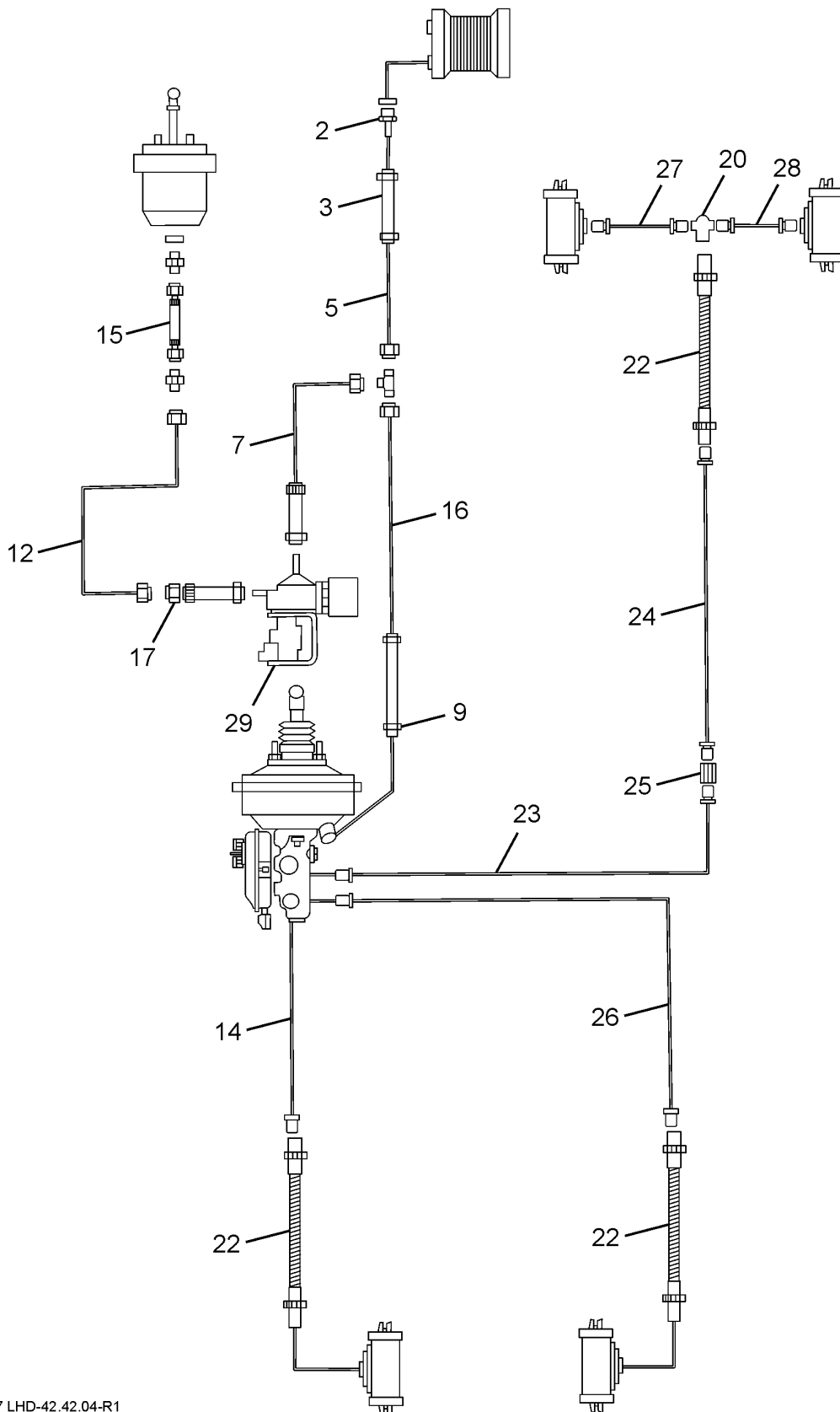
42.42.03		TANDEM MASTER CYLINDER		GROUP 42	
CHASSIS TYPE: ALL					
FIG. NO.	PART NUMBER	DESCRIPTION	QTY	REMARKS	
1	269843100101	ASSY. TANDEM MASTER CYLINDER (23.81 MM DIA.)	1		
2	265443100118	BRAKE FLUID RESERVOIR	1		
		REPAIR KITS			
—	265442100178	MAJOR KIT-TANDEM MASTER CYLINDER(KBX)	1		
3		CIRCLIP 35X1.5	1		
8		PISTON STOP PLATE	1		
7		PRIMARY PISTON ASSY	1		
20		PISTON GUIDE	1		
18		RESERVOIR GROMMET	2		
5		REAR SEAL	1		
13		O RING	1		
9		SECONDARY PISTON ASSY	1		
—	265442100179	MINOR KIT-TANDEM MASTER CYLINDER(KBX)	1		
20		PISTON GUIDE	1		
3		CIRCLIP 35X1.5	1		
5		REAR SEAL	1		
13		O RING	1		
18		RESERVOIR GROMMET	2		
8		SECONDARY CUP	1		
8		PRIMARY CUP	1		
7		PRIMARY PISTON ASSY	1		
—	265443100132	MAJOR KIT-TANDEM MASTER CYL(BIL)	1		
		PLUNGER ASSY.-PRIMARY	1		
		PLUNGER ASSY.-SECONDARY	1		
		SEAL-GLAND	1		
		STOP WASHER	1		
		CIRCLIP	1		
		SPACER	1		
		STOP PIN	1		
		WASHER(STOP PIN)	1		
		SEAL - FLUID TANK	2		
		SEALING RING	1		
		GREASE SACHET	1		
—	265443100133	MINOR KIT-TANDEM MASTER CYL(BIL)	1		
		SEAL-GLAND	1		
		SEAL (BACK-SEC)	1		

CHASSIS TYPE: ALL



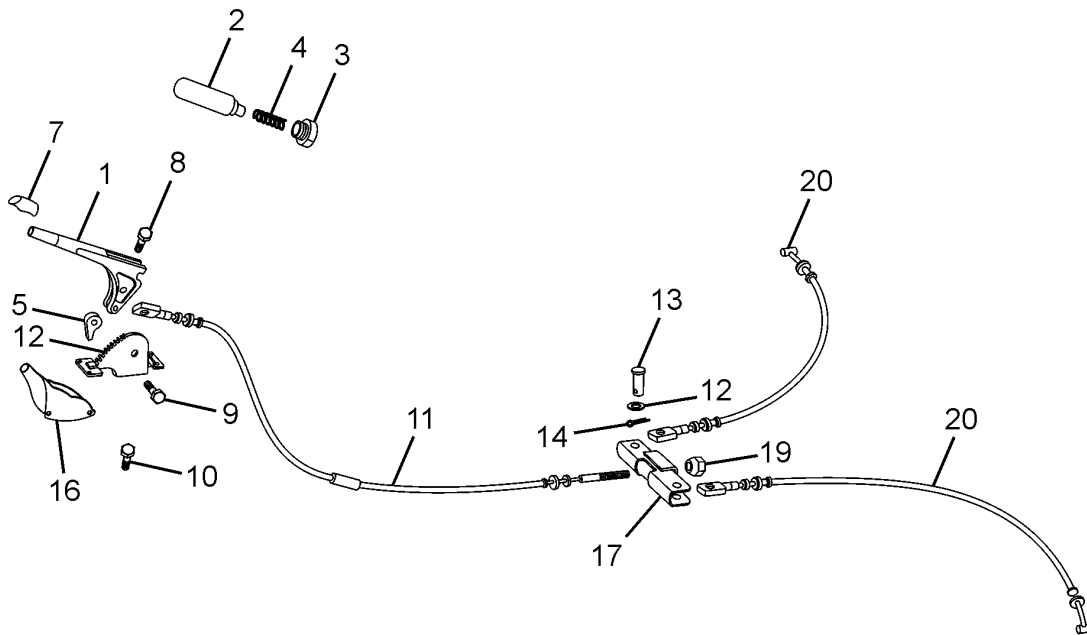
42.42.03		TANDEM MASTER CYLINDER		GROUP 42	
CHASSIS TYPE: ALL					
FIG. NO.	PART NUMBER	DESCRIPTION	QTY	REMARKS	
		SEAL RECUPERATING	2		
		CIRCLIP	1		
		SEAL - FLUID TANK	2		
		WASHER(STOP PIN)	1		
		SEALING RING	1		
		GREASE SACHET	1		

CHASSIS TYPE: ALL



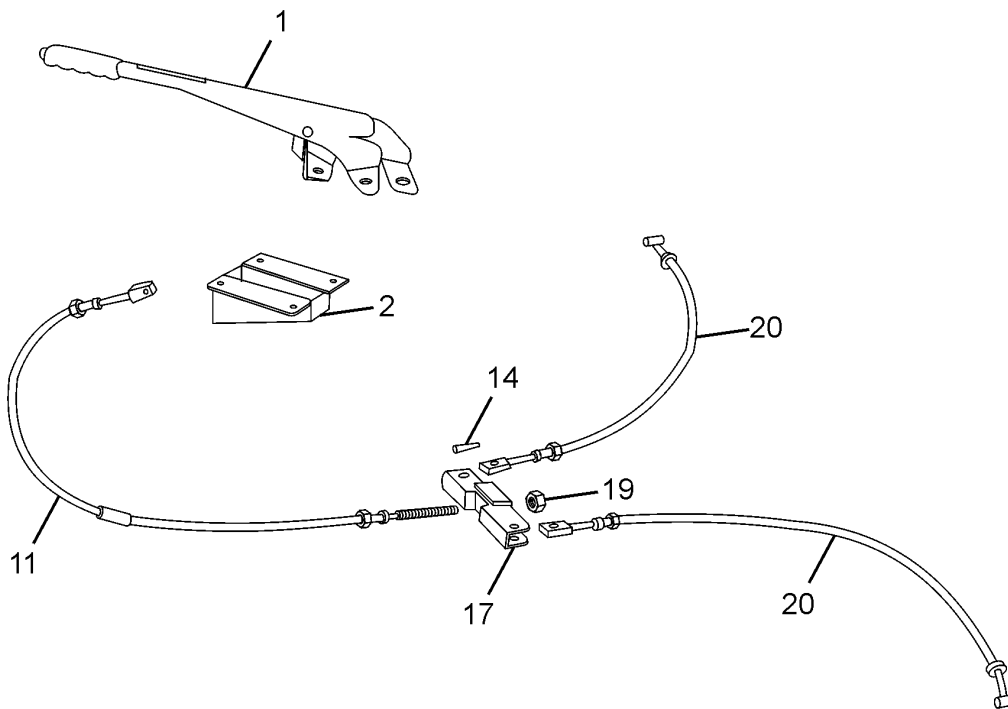
42.42.04		BRAKE PIPE LINES		GROUP 42
CHASSIS TYPE: ALL				
FIG. NO.	PART NUMBER	DESCRIPTION	QTY	REMARKS
2	265143510109	TUBE ASSY.	1	
3	265143505804	HOSE	1	
5	265142810107	ASSY TUBE	1	
7	265142800199	ASSY.TUBE	1	
9	264043505801	HOSE	1	
12	265142800199	ASSY.TUBE	1	
14	265143800152	ASSY TUBE	1	
15	257525600106	ASSY HOSE	1	
16	265142810108	ASSY.TUBE	1	
17	264142900102	HOSE ASSEMBLY	2	
20	265142806803	THREE WAY CONNECTOR	1	
22	264042800121	ASSY. HOSE 3.2 DIA.	2	
23	265142800198	ASSY.TUBE	1	
24	265142800165	ASSY. TUBE	1	
25	265142806804	ADAPTER	1	
26	265143800153	TUBE ASSY.	1	
27	265142800144	ASSY. TUBE FOR L.H.SIDE WHEEL CYLINDER.	1	
28	265142800145	ASSY. TUBE FOR R.H.SIDE WHEEL CYLINDER.	1	
29	264154209903	MAGNETIC VALVE	1	

CHASSIS TYPE: 357175; 357174



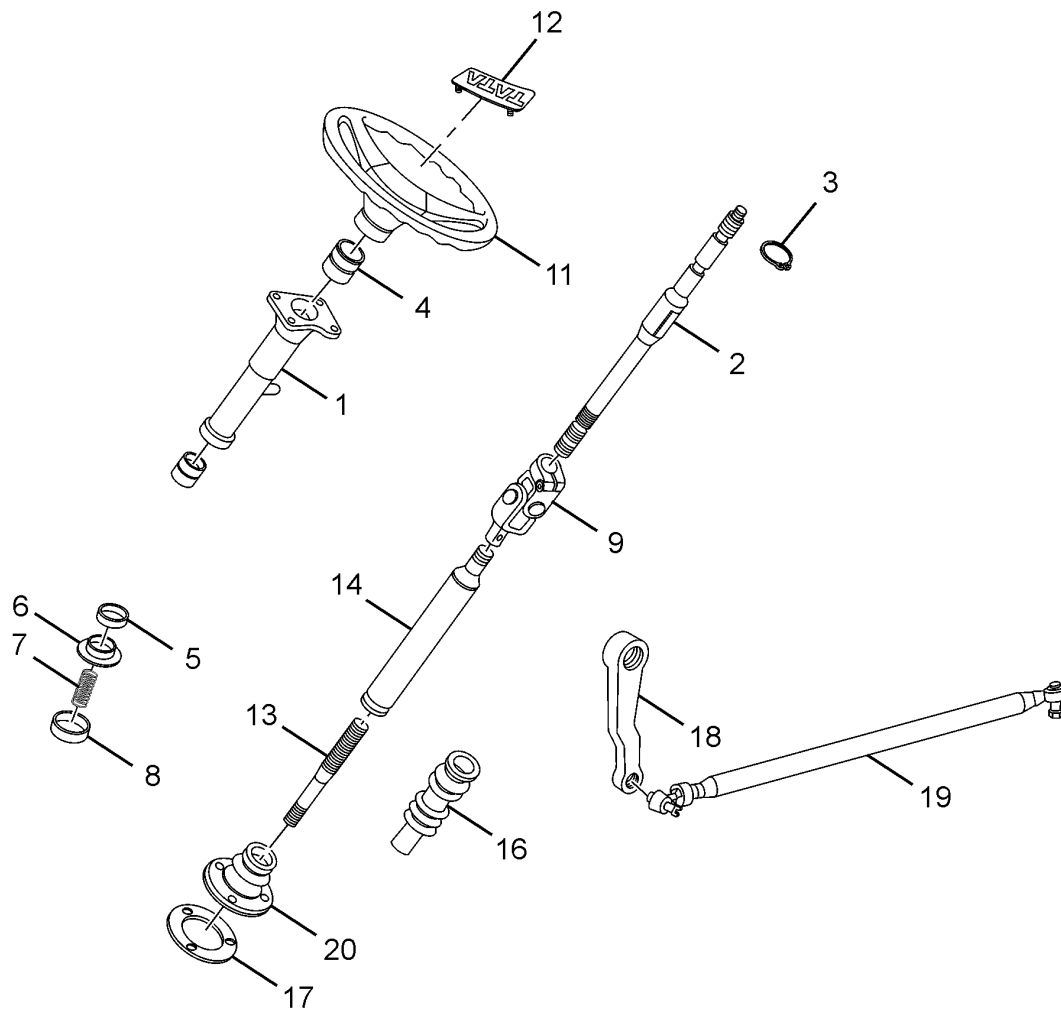
42.42.05		PARKING BRAKE		GROUP 42	
CHASSIS TYPE: 357175; 357174					
FIG. NO.	PART NUMBER	DESCRIPTION	QTY	REMARKS	
1	264042700167	ASSY. HAND BRAKE LEVER (COMPLETE)	1		
2	265142705603	KNOB	1		
3	265142708603	SPRING GUIDE	1		
4	265142708703	HELICAL COMPRESSION SPRING	1		
5	265142709902	PAWL	1		
7	265142705601	HANDLE	4		
8	265142706705	CLEVIS PIN	1		
9	264042700113	ASSY. RATCHET	1		
10	265142706707	PIN	1		
11	265242700117	ASSY. CABLE FRONT	1		
12	265142708601	SPACER	1		
13	265142706706	CLEVIS PIN			
14	13150606165	SPLIT PIN 2X16	1		
16	264042700116	ASSY. HAND BRAKE COVER	1		
17	265242708201	LINK	1		
19	265142709907	SPHERICAL NUT	1		
20	265242700120	ASSY. PARKING BRAKE CABLE REAR	2		

CHASSIS TYPE: 357171; 357172; 357173



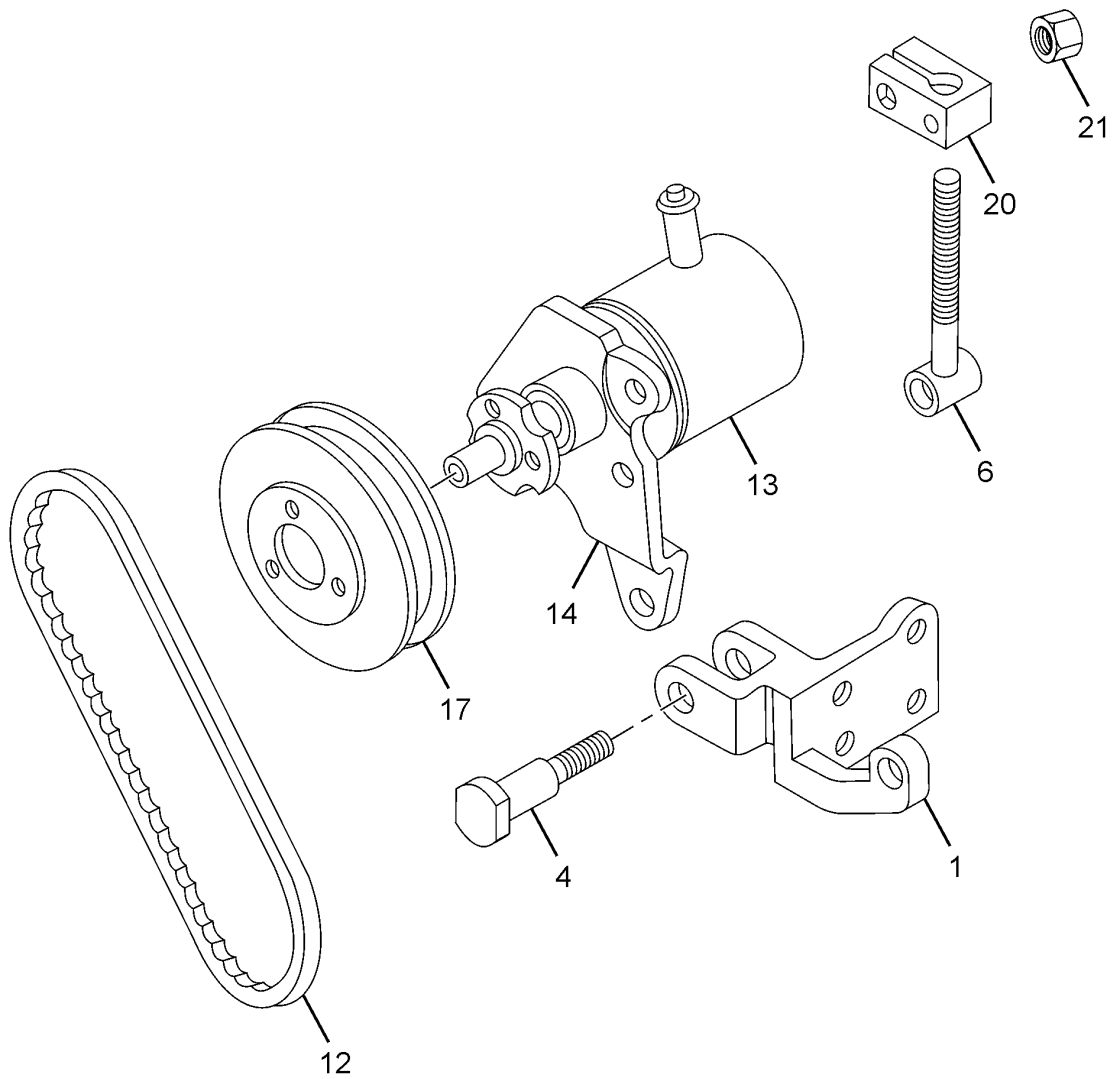
42.42.06		PARKING BRAKES		GROUP 42	
CHASSIS TYPE: 357171; 357172; 357173					
FIG. NO.	PART NUMBER	DESCRIPTION	QTY	REMARKS	
1	265242700122	ASSY.PARKING BRAKE HANDLE	1		
2	265242700128	ASSY. CUP(PARKING BRAKE HANDLE)	1		
-	265242708701	RETURN SPRING (PARKING BRAKE CABLE)	1		
-	270242804301	CLIP (BRAKE HOSE)	4		
11	265242700117	ASSY. CABLE FRONT	1		
14	13150606165	SPLIT PIN 2X16	1		
17	265242708201	ASSY. LINK	1		
19	265142709907	SPHERICAL NUT	1		
20	265242700120	ASSY. PARKING BRAKE CABLE REAR	2		

CHASSIS TYPE: ALL



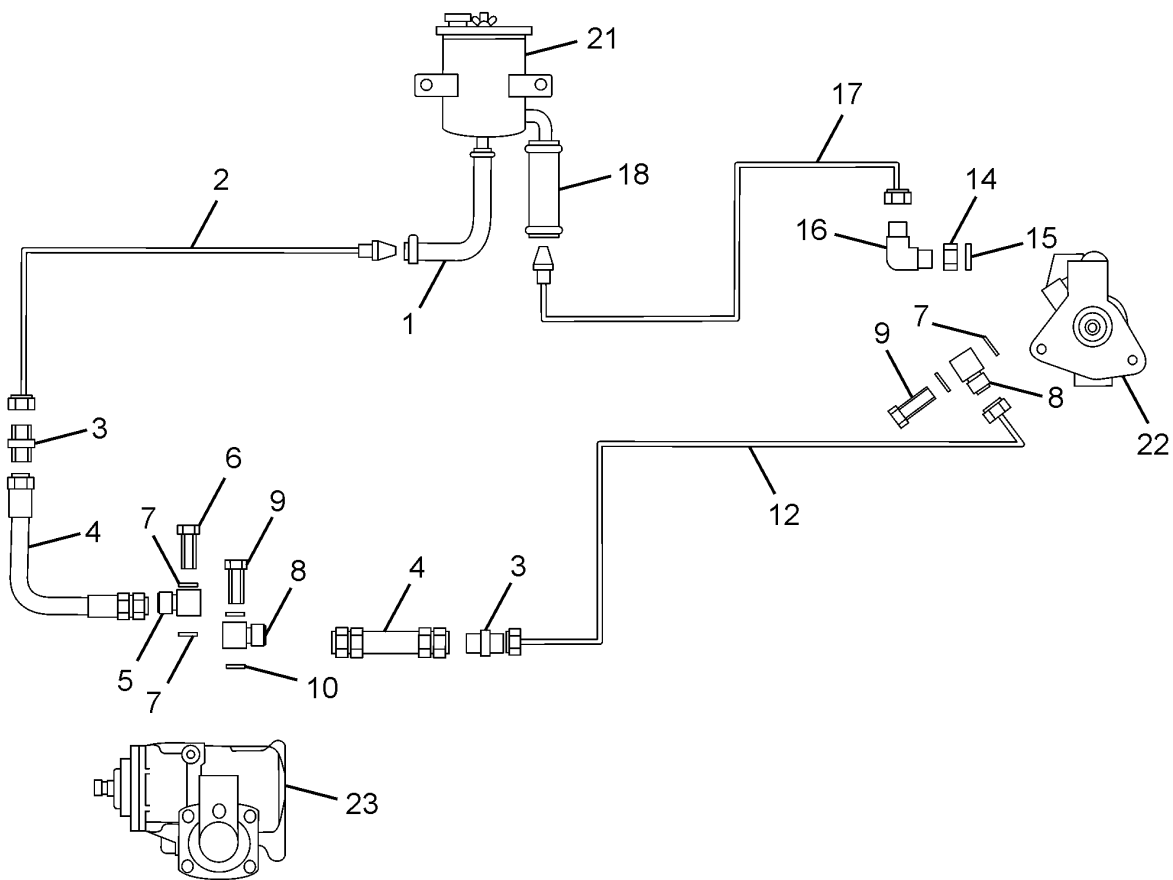
46.46.01		STEERING LINKAGES		GROUP 46	
CHASSIS TYPE: ALL					
FIG. NO.	PART NUMBER	DESCRIPTION	QTY	REMARKS	
1	265146210109	ASSY STEERING COLUMN	1		
2	264046200134	ASSY. STEERING SPINDLE TOP	1		
3	14550602009	CIRCLIP 20X1.2 N	1		
4	264046203102	S.R.D.G. BALL BEARING	2		
5	264146207920	SPACER	1		
6	265446209915	SPRING SEAT	1		
7	265446208711	COMPRESSION SPRING	1		
8	265446208278	SPRING SEAT CUP	1		
9	265146600102	ASSY.UNIVERSAL JOINT	2		
—	265146603201	BOLT.	4		
11	265946400101	ASSY STEERING WHEEL 400 DIA, 4 SPOKE	1		
12	265446406312	T EMBLEM	1		
13	265146210119	ASSY.SPINDLE	1		
14	269846207916	STEERING SPINDLE - BOTTOM	1		
16	265846206306	RUBBER BELLOW (SLEEVE / TOP).	1		
17	265146108201	CLAMPING RING	1		
18	265146306009	PITMAN ARM LHD	1		
19	265146600125	ASSY DRAG LINK	1		
20	265146106301	RUBBER BELLOW (ON FLOOR)	1		
—	265146600132	ASSY. 26 DIA. BALL JOINT (THREADED) - DRAG LINK	1		
—	265146600135	ASSY. 26 DIA. BALL JOINT (CLAMPED) - DRAG LINK	1		
—	265946406305	HORN PAD	1		

CHASSIS TYPE: 357175; 357174



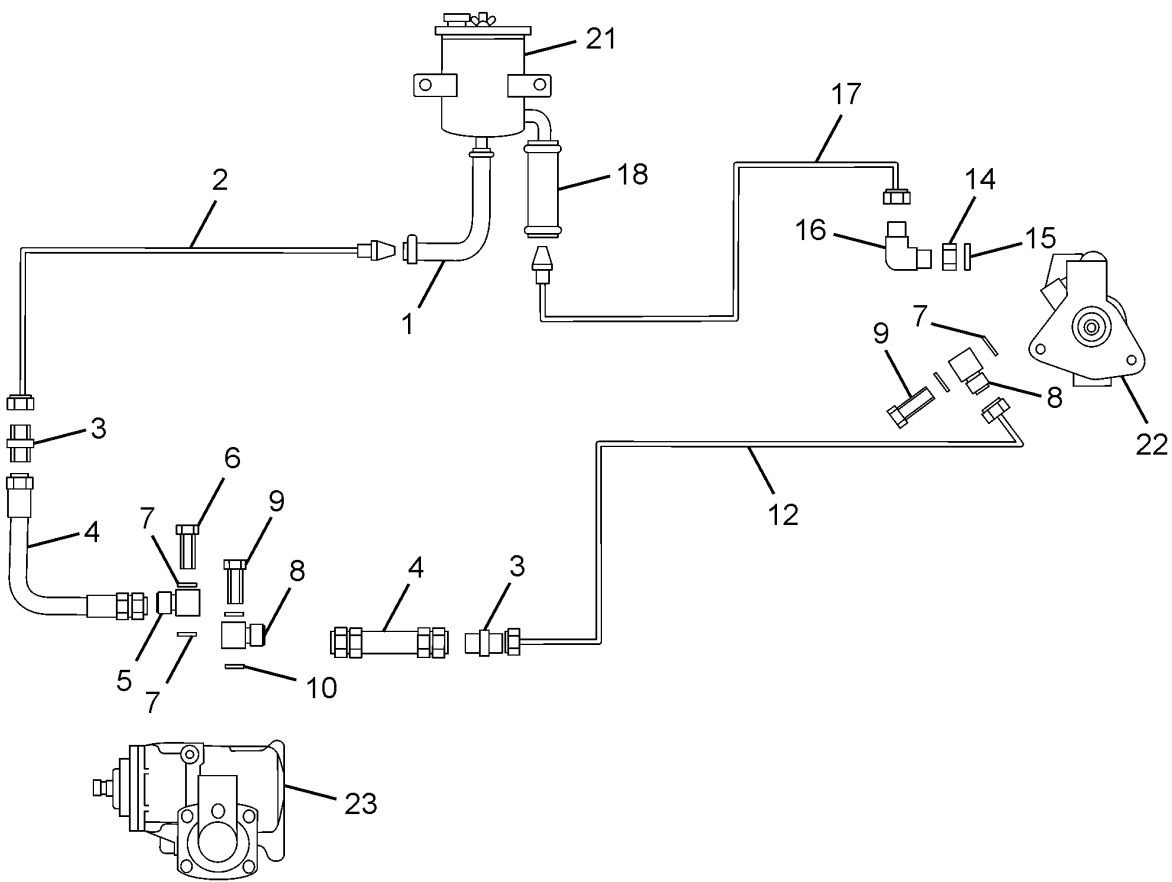
46.46.02		POWER STEERING PUMP MOUNTING		GROUP 46
CHASSIS TYPE: 357175; 357174				
FIG. NO.	PART NUMBER	DESCRIPTION	QTY	REMARKS
1	253423400109	ASSY.BRACKET -LHD	1	
4	252523116704	PIN	1	
6	253323400103	ASSY. TENSIONER	1	
12	253420156310	V BELT (COGGED-925 LG)	1	
13	252723110103	ASSY.STEERING PUMP - ZF	1	
14	252523403304	BRACKET (ZF POWER STEERING)HYD.PUMP	1	
17	252523407006	PULLEY (POWER STEERING):CAST	1	
20	3141550228	CLAMPING PIECE	1	
21	3521550272	CLAMPING NUT	1	

CHASSIS TYPE: 357175; 357174



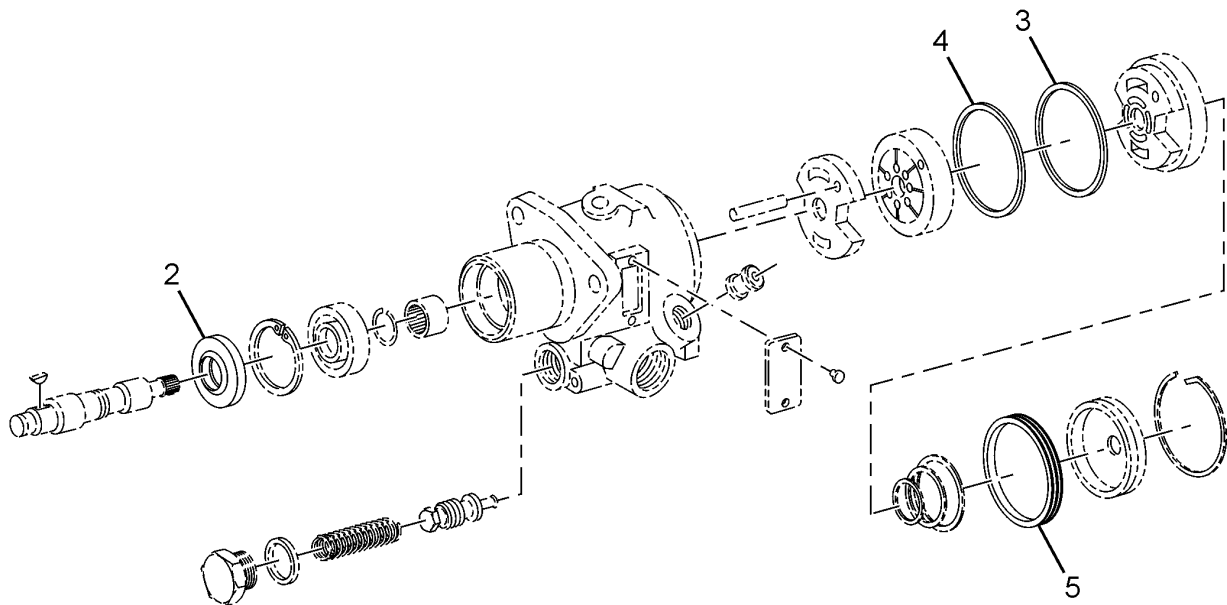
46.46.03A		POWER STEERING COMPONENTS AND PIPE LINES		GROUP 46
CHASSIS TYPE: 357175; 357174				
FIG. NO.	PART NUMBER	DESCRIPTION	QTY	REMARKS
		POWER STEERING PIPE LINES		
1	270546805801	RUBBER HOSE	1	
2	264146800139	ASSY.TUBE (GEAR BOX TO TANK)	1	
3	16420801509	COUPLING BODY L15	2	
4	265144800101	3/8 INCH HIGH PRESSURE HOSE ASSY	2	
5	16560501505	BANJO BODY 15	1	
6	16530901801	BANJO M18X1.5	2	
7	16220710282	SEALING WASHER 18X22 CU	2	
8	257344106802	BANJO BODY	2	
9	257344106803	BANJO	2	
10	16220710240	SEALING WASHER 16X20 CU	2	
12	264746800108	ASSY TUBE (PUMP TO GEAR BOX)	1	
14	257443509201	SEALING RING	1	
15	17050501205	O RING 25.0X2.65	1	
16	257646806803	ELBOW	1	
17	265146800111	ASSY.TUBE 15 OD (STG GB TO RESERVOIR)	1	
18	257446805802	3/4IN LP HOSE	1	
		POWER STEERING COMPONENTS		
21	264146800138	ASSY. POWER STEERING HYDRAULIC TANK (ZF)	1	
22	264046000113	ASSY.POWER STEERING GEAR BOX (M/S ZF)LHD	1	
23	252723110103	ASSY. POWER STEERING PUMP (ZF)	1	
—	265146200170	ASSY STEERING GEAR BOX MTG.BRACKET (LHD)	1	
—	264746800104	ASSY BKT (RESERVOIR MTG)(ZF)	1	

CHASSIS TYPE: 357171; 357172; 357173



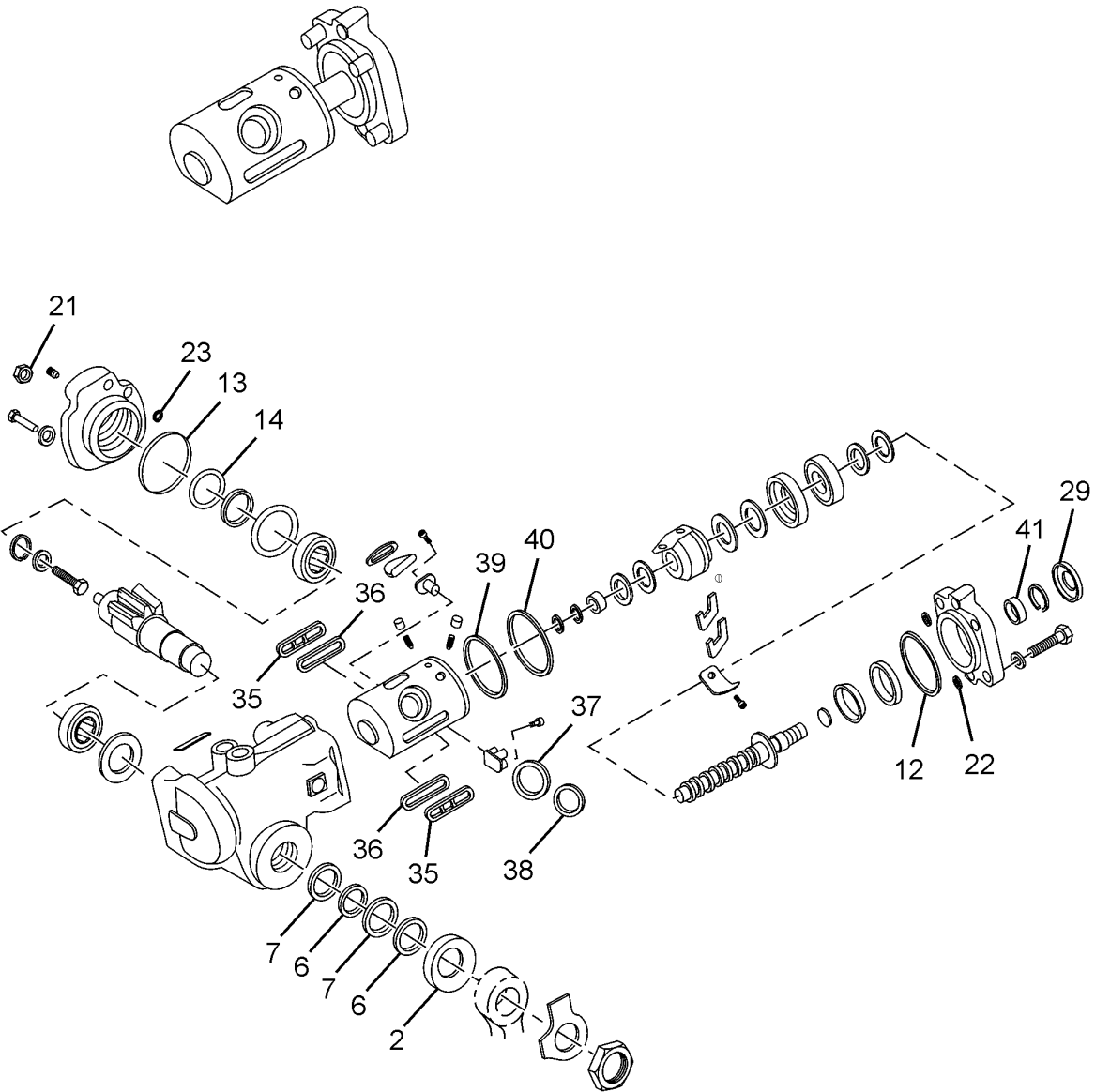
46.46.03B		POWER STEERING COMPONENT & PIPE LINES		GROUP 46
CHASSIS TYPE: 357171; 357172; 357173				
FIG. NO.	PART NUMBER	DESCRIPTION	QTY	REMARKS
		POWER STEERING PIPE LINES		
1	270546805801	RUBBER HOSE	1	
2	264146800139	ASSY.TUBE (GEAR BOX TO TANK)	1	
3	16420801509	COUPLING BODY L15	2	
4	265144800101	3/8 INCH HIGH PRESSURE HOSE ASSY	2	
5	16560501505	BANJO BODY 15	1	
6	16530901801	BANJO M18X1.5	2	
7	16220710282	SEALING WASHER 18X22 CU	2	
8	257344106802	BANJO BODY	2	
9	257344106803	BANJO	2	
10	16220710240	SEALING WASHER 16X20 CU	2	
12	264746800108	ASSY TUBE (PUMP TO GEAR BOX)	1	
14	257443509201	SEALING RING	1	
15	17050501205	O RING 25.0X2.65	1	
16	257646806803	ELBOW	1	
17	265146800111	ASSY.TUBE 15 OD (STG GB TO RESERVOIR)	1	
18	264146805805	RUBBER HOSE	1	
		POWER STEERING COMPONENTS		
21	264146800138	ASSY. POWER STEERING HYDRAULIC TANK (ZF)	1	
22	264046000113	ASSY.POWER STEERING GEAR BOX (M/S ZF)LHD	1	
23	252723110103	ASSY. POWER STEERING PUMP (ZF)	1	
—	265146200170	ASSY STEERING GEAR BOX MTG.BRACKET (LHD)	1	
—	264746800104	ASSY BKT (RESERVOIR MTG)(ZF)	1	

CHASSIS TYPE: ALL



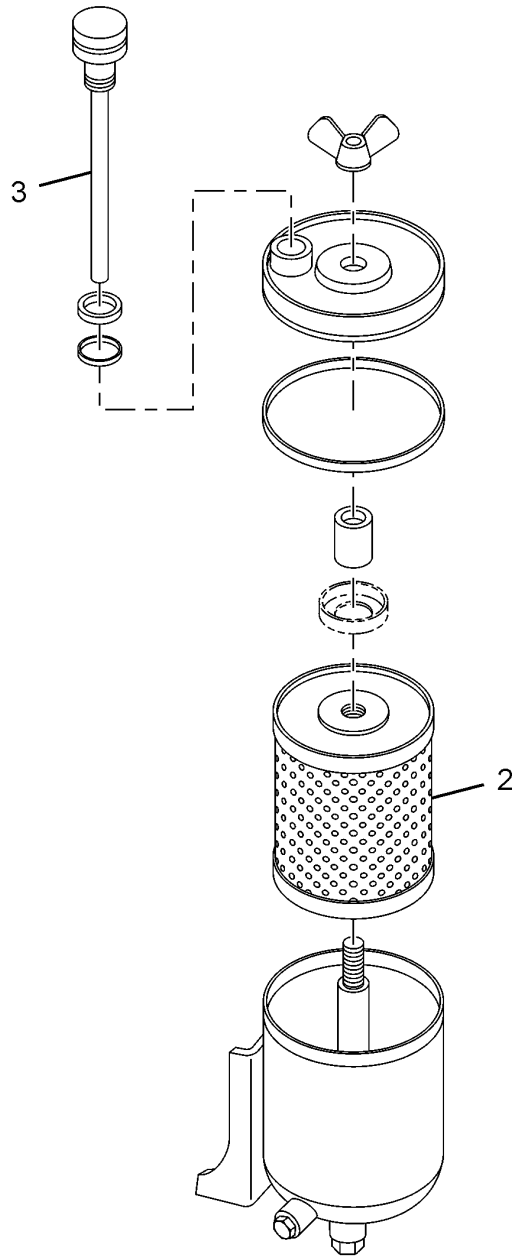
46.46.04		POWER STEERING PUMP (ZF)		GROUP 46	
CHASSIS TYPE: ALL					
FIG. NO.	PART NUMBER	DESCRIPTION	QTY	REMARKS	
—	257323100102	PUMP SEAL KIT, ZF, CONSISTING OF :	1		
2		OIL SEAL	1		
3		'O' RING	1		
4		SUPPORT RING	1		
5		PROTECTING SEALING RING	1		

CHASSIS TYPE: ALL



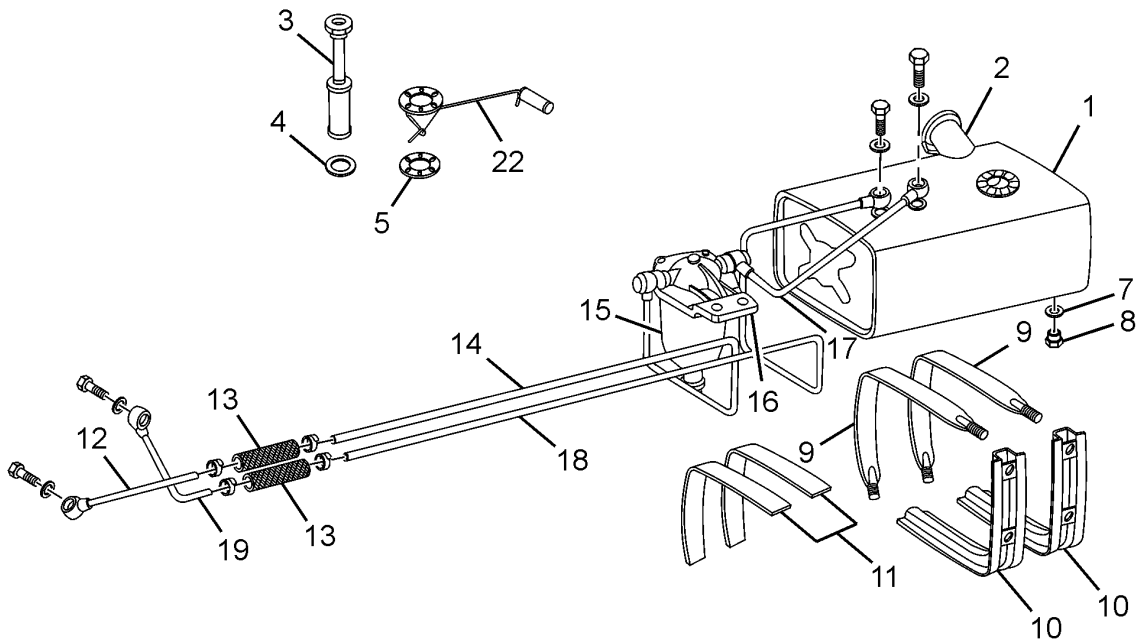
46.46.05		POWER STEERING GEARBOX (ZF)		GROUP 46	
CHASSIS TYPE: ALL					
FIG. NO.	PART NUMBER	DESCRIPTION	QTY	REMARKS	
—	257346210102	SEAL KIT (POWER STEERING GEAR BOX)	1		
		CONSISTING OF :			
2		DUST SEAL	1		
6		SUPPORT RING	3		
7		GASKET	3		
12		'O' RING	1		
13		'O' RING	1		
14		SEALING RING	1		
21		SEALING NUT	1		
22		'O' RING	2		
23		'O' RING	2		
29		PROTECTIVE CAP	1		
35		SUPPORT PLATE	2		
36		GASKET	2		
37		GASKET	2		
38		GASKET	2		
39		GASKET	2		
40		GASKET	2		
41		SHAFT SEAL	1		

CHASSIS TYPE: ALL



46.46.06		POWER STEERING HYDRAULIC TANK(ZF)		GROUP 46	
CHASSIS TYPE: ALL					
FIG. NO.	PART NUMBER	DESCRIPTION	QTY	REMARKS	
2	257344400128	ASSY. FILTER	1		
3	265946207910	DIPSTICK ASSY.	1		

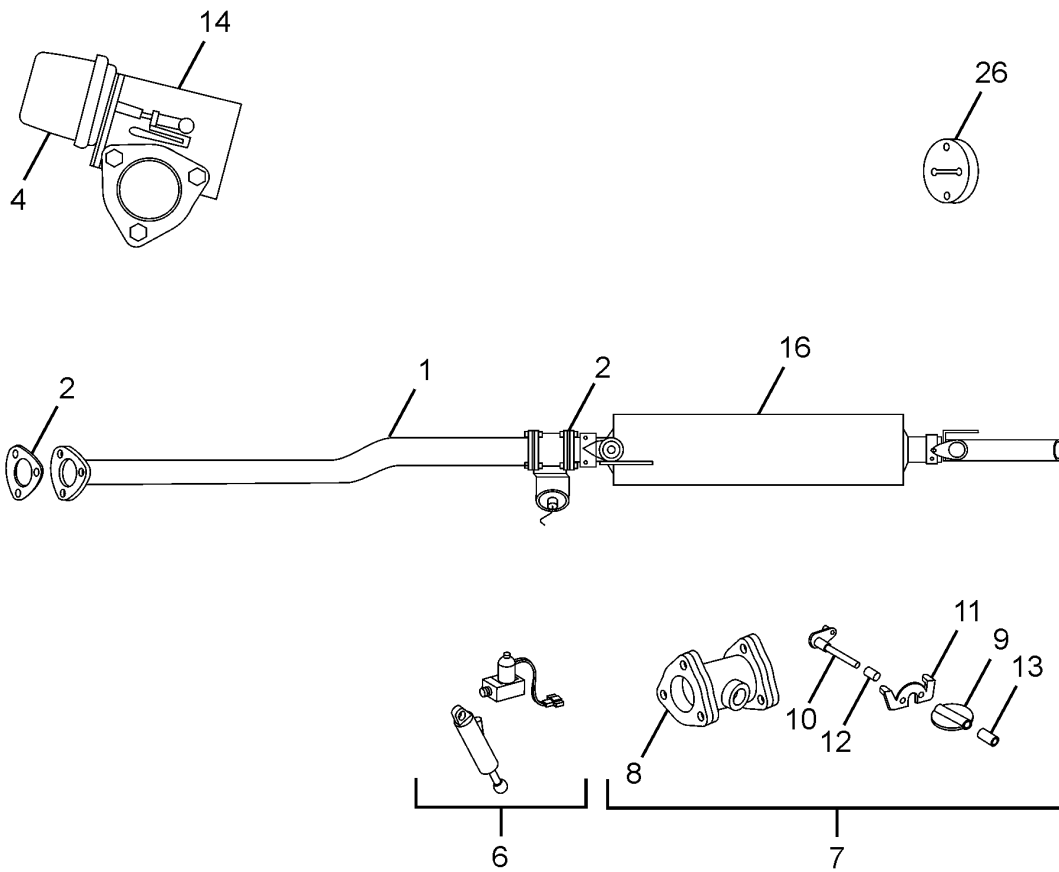
CHASSIS TYPE: 357175; 357174



47.47.01		ASSY. FUEL SYSTEM		GROUP 47	
CHASSIS TYPE: 357175; 357174					
FIG. NO.	PART NUMBER	DESCRIPTION	QTY	REMARKS	
1	265147000101	ASSY.FUEL TANK COMP.WITH STRAP & SUPPORT	1		
2	0424700605J	CAP (ASSY. FUEL TANK)	1		
3	265147100159	ASSY. SUCTION TUBE	1		
4	16220510577	WASHER 38X44	1		
5	257454207502	SEAL RING	1		
7	16081001808	SEALING PLUG AM 18X1.5	1		
8	16220710282	WASHER 18X22 CU	1		
9	265147500102	ASSY. STRAP	2		
10	264047500104	ASSY. BRACKET (FUEL TANK MOUNTING)	2		
11	265147507701	RUBBER PACKING	4		
12	265147600164	ASSY.SUCTION LINE-INTAKE TO HOSE	1		
13	3124760026	RUBBER HOSE	2		
14	265147600162	ASSY. SUCTION FUEL PIPE (HOSE TO WATER SEPARATOR)	1		
15	264147100113	ASSY. WATER SEPERATOR	1		
16	264147600114	ASSY. BRACKET	1		
17	265147600161	ASSY SUCTION LINES (TANK TO WATER SEPERATOR)	1		
18	265147600165	ASSY. RETURN FUEL LINE (RUBBER HOSE TO TANK)	1		
19	265147600166	ASSY.SUCTION PIPE W/SEP.TO INTAKE	1		
22	265154210129	ASSY. TANK UNIT	1		

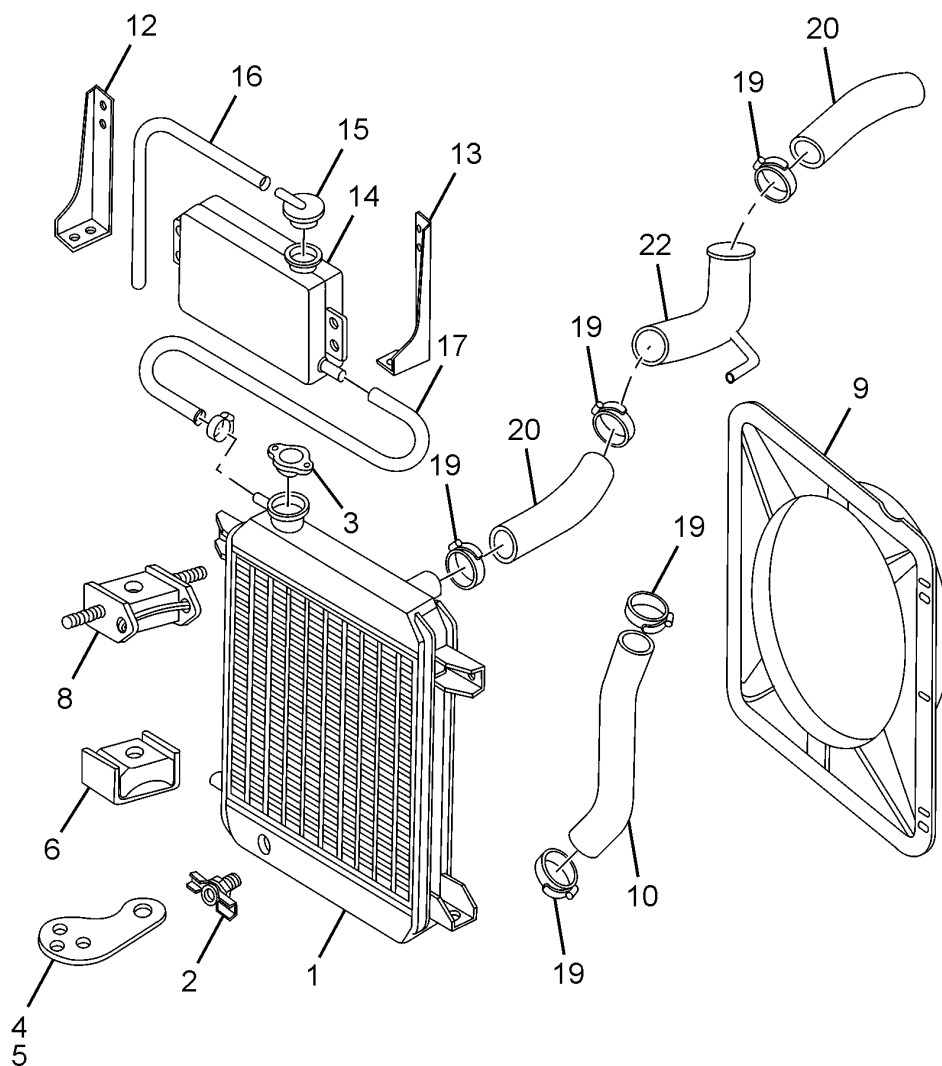
47.47.02		ASSY FUEL SYSTEM		GROUP 47
CHASSIS TYPE: 357171; 357172; 357173				
FIG. NO.	PART NUMBER	DESCRIPTION	QTY	REMARKS
1	265147000101	ASSY.FUEL TANK COMP.WITH STRAP & SUPPORT	1	
2	0424700605J	CAP (ASSY. FUEL TANK)	1	
3	265147100159	ASSY. SUCTION TUBE	1	
4	16220510577	WASHER 38X44	1	
5	257454207502	SEAL RING	1	
7	16081001808	SEALING PLUG AM 18X1.5	1	
8	16220710282	WASHER 18X22 CU	1	
9	265147500102	ASSY. STRAP	2	
10	264047500104	ASSY. BRACKET (FUEL TANK MOUNTING)	2	
11	265147507701	RUBBER PACKING	4	
12	265147600164	ASSY.SUCTION LINE-INTAKE TO HOSE	1	
13	3124760026	RUBBER HOSE	2	
14	265147600162	ASSY. SUCTION FUEL PIPE (HOSE TO WATER SEPARATOR)	1	
15	264147100113	ASSY. WATER SEPERATOR	1	
16	264147600114	ASSY. BRACKET	1	
17	265147600161	ASSY SUCTION LINES (TANK TO WATER SEPERATOR)	1	
18	265147600165	ASSY. RETURN FUEL LINE (RUBBER HOSE TO TANK)	1	
19	265147600164	ASSY.SUCTION PIPE W/SEP.TO INTAKE	1	
22	265154210129	ASSY. TANK UNIT	1	

CHASSIS TYPE: ALL



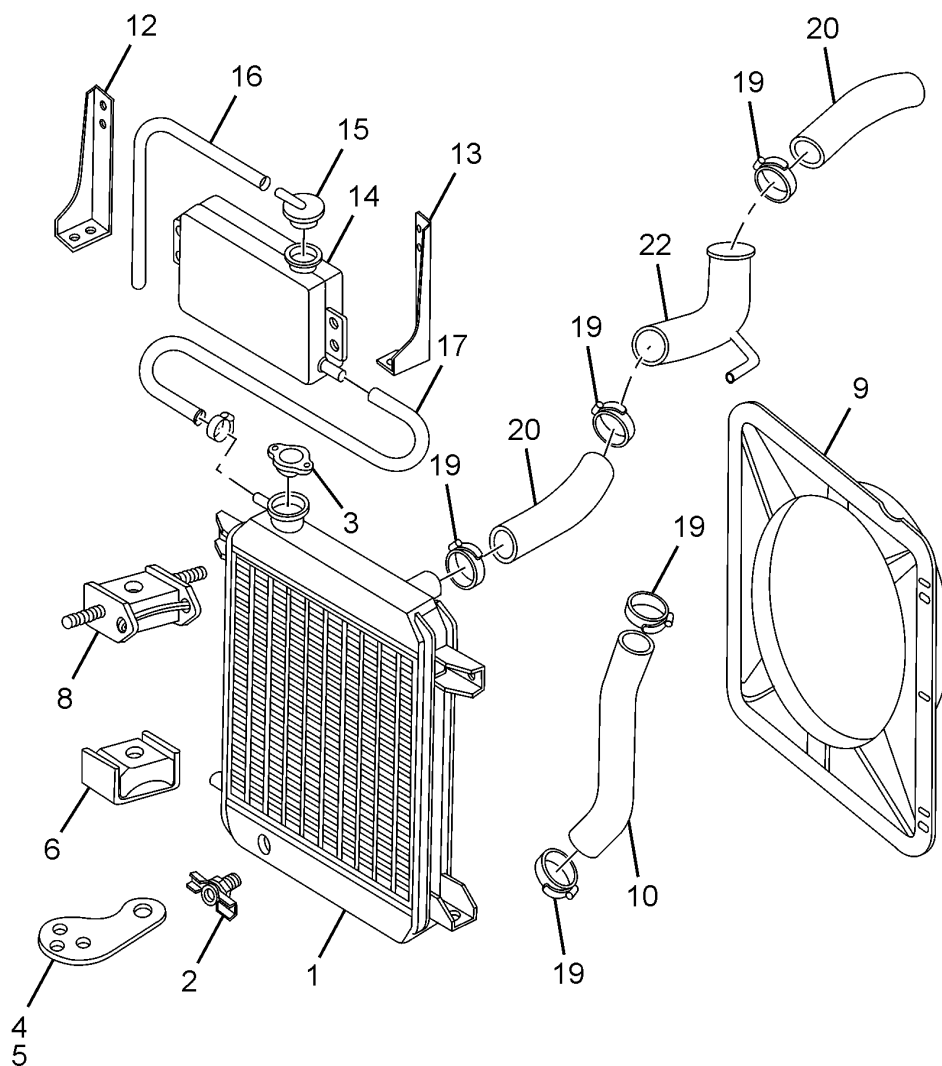
49.49.01		EXHAUST SYSTEM		GROUP 49	
CHASSIS TYPE: ALL					
FIG. NO.	PART NUMBER	DESCRIPTION	QTY	REMARKS	
1	265149210182	ASSY.FRONT PIPE WITH FLEX.BELLOW (BS-II)	1		
2	3124921080	SEALING FLANGE	2		
4	264043500102	ASSY. VACUUM CYLINDER	1		
6	265154219908	ASSY. MAGNETIC VALVE WITH DIN TER AND HSG.	1		
—	264149208219	BRACKET	1		
7	264149200126	ASSY. EXHAUST BRAKE UNIT	1		
8	NSS	ASSY. INTERMEDIATE FLANGE	1	NOT SUPPLIED LOOSE	
9	NSS	ASSY. THROTTLE VALVE	1	NOT SUPPLIED LOOSE	
10	NSS	ASSY. SHAFT (THROTTLE VALVE)	1	NOT SUPPLIED LOOSE	
11	NSS	STOPPER PLATE	1	NOT SUPPLIED LOOSE	
12	3521441250	BUSH	1		
13	3521441350	BUSH	1		
14	264749200101	ASSY.EXHAUST BRAKE COVER	1		
16	265149100130	ASSY. SILENCER WITH TAIL PIPE AND BRACKET	1		
26	269849207702	RUBBER HANGER (EXHAUST)	4		
-	265149210145	ASSY.BOTTOM NOISE SHIELD FRONT	1		
-	265149210128	ASSY.BOTTOM NOISE SHIELD - REAR	1		
-	265149210147	ASSY.BOTTOM NOISE SHIELD FLAP(FRONT)	2		

CHASSIS TYPE: 357175; 357174



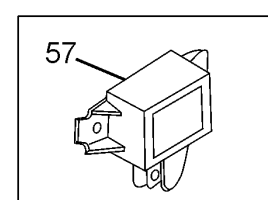
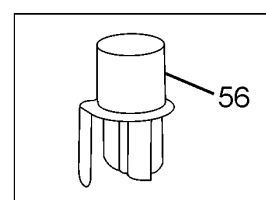
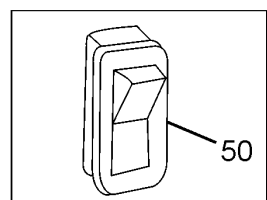
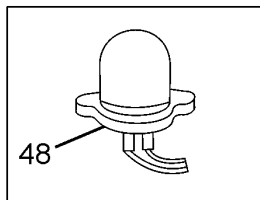
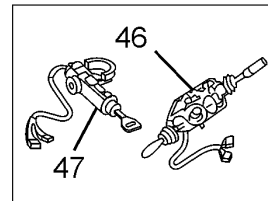
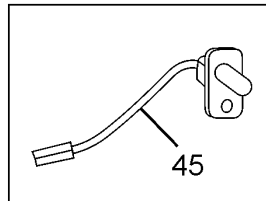
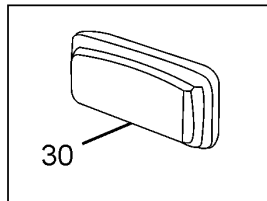
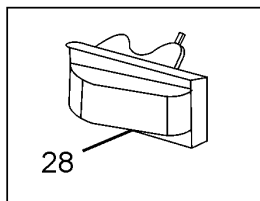
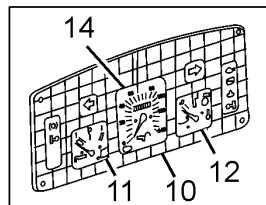
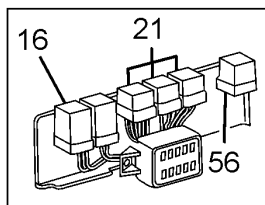
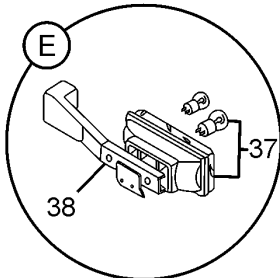
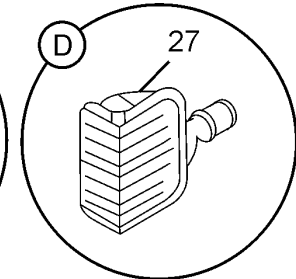
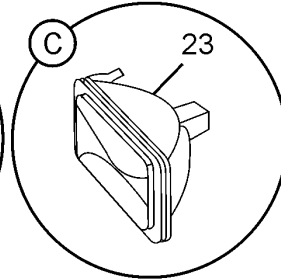
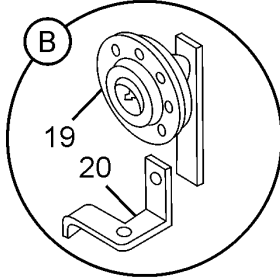
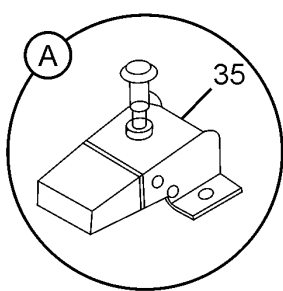
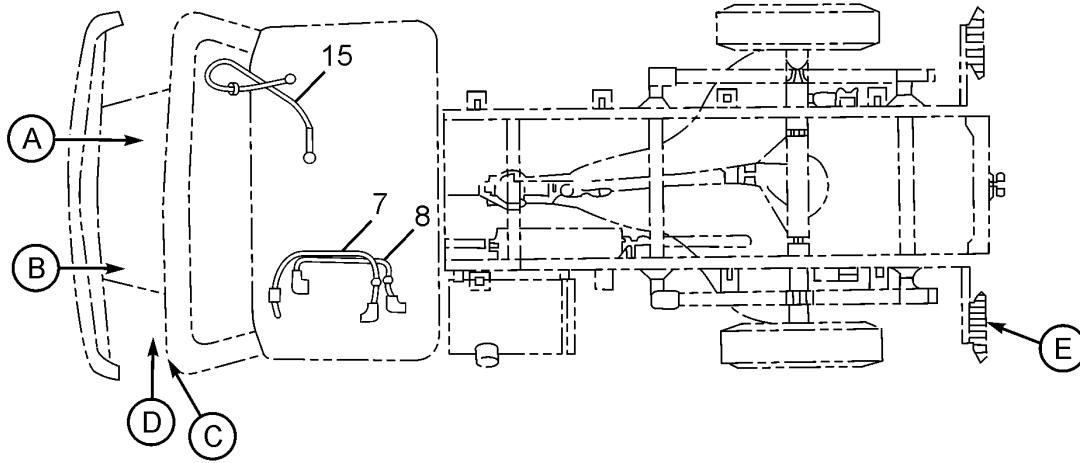
50.50.01		RADIATOR		GROUP 50
CHASSIS TYPE: 357175; 357174				
FIG. NO.	PART NUMBER	DESCRIPTION	QTY	REMARKS
1	253450100189	ASSY. RADIATOR (AL CORE, PLASTIC TANK)	1	
2	252750100335	ASSY. DRAIN COCK	1	
3	252750100336	ASSY. PRESSURE CAP	1	
4	253450400101	ASSY. BRACKET RH	1	
5	253450400102	ASSY. BRACKET LH	1	
6	253450000103	ASSY. RADIATOR MOUNTING PAD BOTTOM	2	
8	253450000110	ASSY. RADIATOR MOUNTING PAD TOP	2	
9	253450506301	FAN SHROUD	1	
10	253450105809	RUBBER HOSE	1	
12	252750100235	ASSY. CLAMP RH	1	
13	252750100254	ASSY. CLAMP LH	1	
14	252750100313	ASSY. AUX. WATER TANK	1	
15	254750106305	CAP (AUX. WATER TANK)	1	
16	252750106915	PIPE (L = 320 MM)	1	
17	252550106918	PIPE (L = 400 MM)	1	
—	252550104201	CLAMP	1	
19	254750104222	HOSE CLAMP 50 DIA	2	
20	252550005812	RUBBER HOSE (THERMOSTATE TO RADIATOR)	1	
22	253450100140	ASSY RETURN PIPE(RAD TO W.PUMP-CAB HEAT)	1	

CHASSIS TYPE: 357171; 357172; 357173



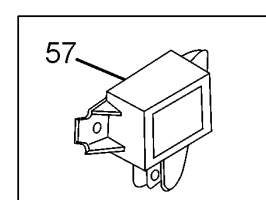
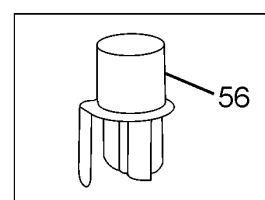
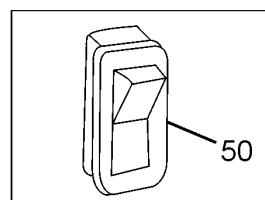
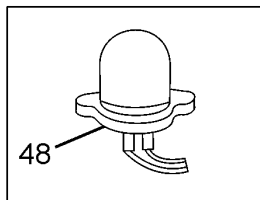
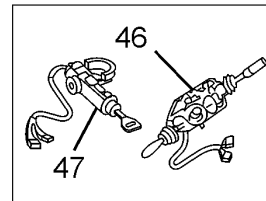
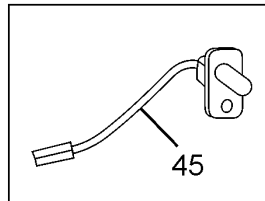
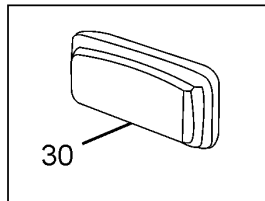
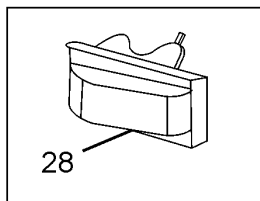
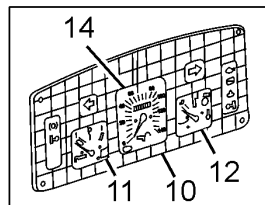
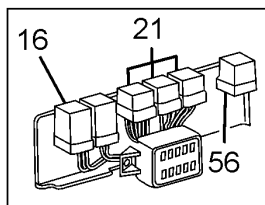
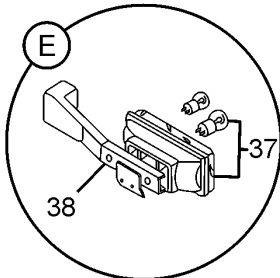
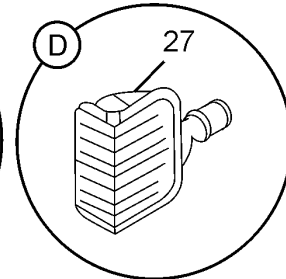
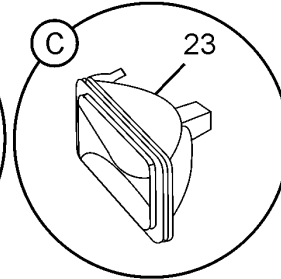
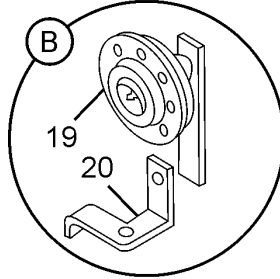
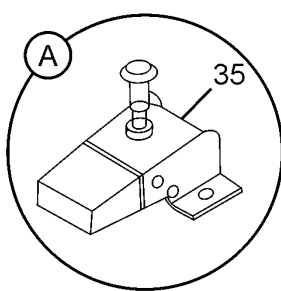
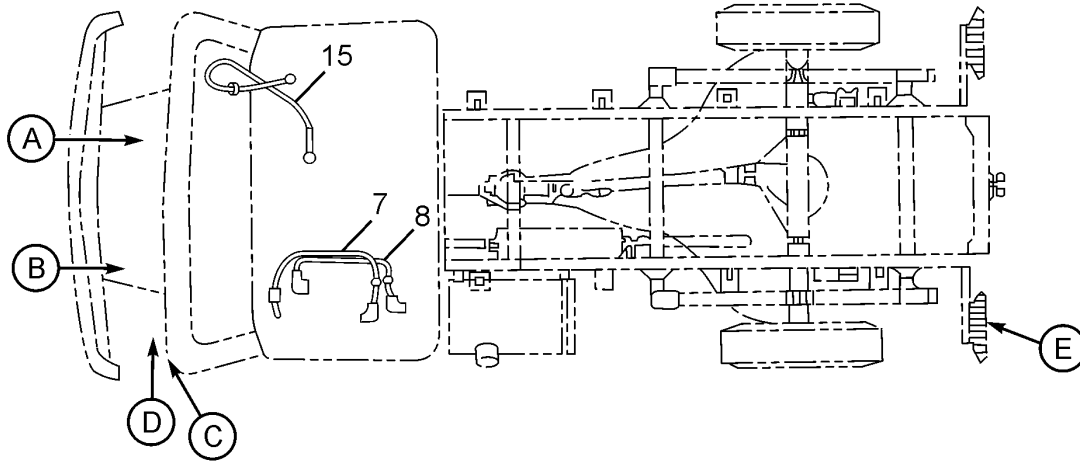
50.50.02		RADIATOR		GROUP 50
CHASSIS TYPE: 357171; 357172; 357173				
FIG. NO.	PART NUMBER	DESCRIPTION	QTY	REMARKS
1	253450100261	ASSY.RADIATOR SFC-407 BS-III	1	
2	252750100327	DRAIN COCK	1	
3	252750100328	ASSY. PRESSURE CAP	1	
4	253450400103	ASSY. BRACKET RH	1	
5	253450400104	ASSY. BRACKET LH	1	
6	253450000103	ASSY. RADIATOR MOUNTING PAD BOTTOM	2	
8	253450000110	ASSY. RADIATOR MOUNTING PAD TOP	2	
9	253450500122	ASSY FANSHROUD SFC 407 BS-II:418 DIA FAN	1	
10	253450105809	RUBBER HOSE	1	
12	252750100235	ASSY. CLAMP RH	1	
13	252750100254	ASSY. CLAMP LH	1	
14	252750100313	ASSY. AUX. WATER TANK	1	
15	254750106305	CAP (AUX. WATER TANK)	1	
16	253450106909	PIPE(500L 4SP BS-III SFC)RAD TO AUX.	1	
17	252550106918	PIPE (L = 400 MM)	1	
-	252550104201	CLAMP	1	
19	254750104222	HOSE CLAMP 50 DIA	2	
20	253450105827	RUBBER HOSE (THERMOSTAT TO RADIATOR)	1	
22	253450105834	RUBBER HOSE (RAD TO WP) SFC BS-III	1	

CHASSIS TYPE: 357175



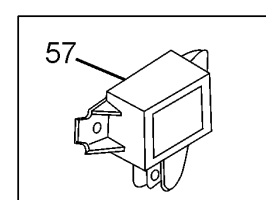
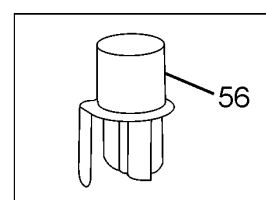
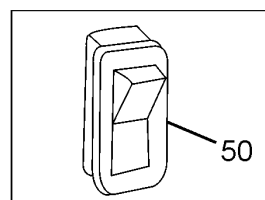
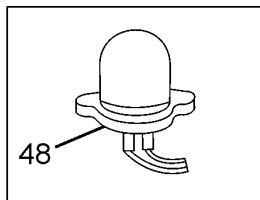
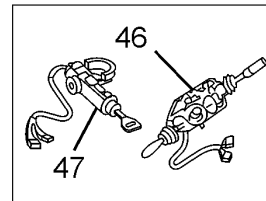
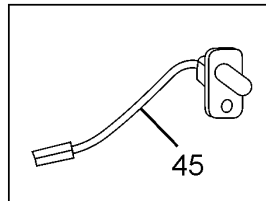
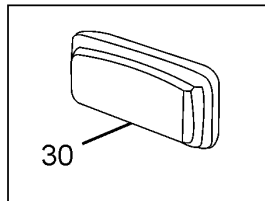
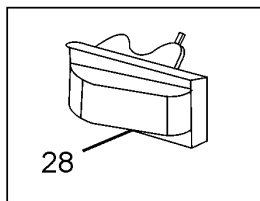
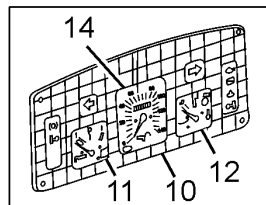
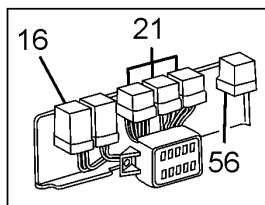
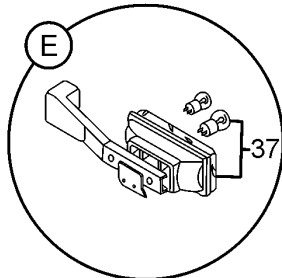
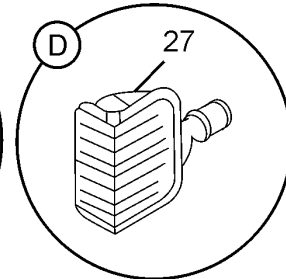
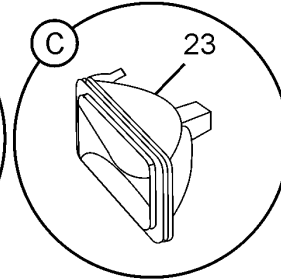
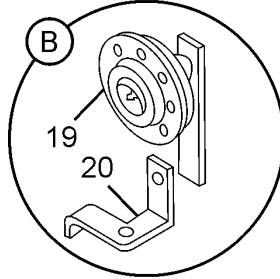
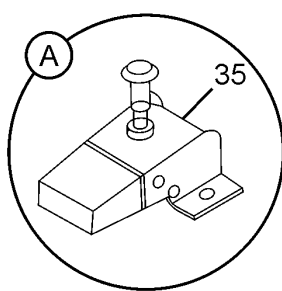
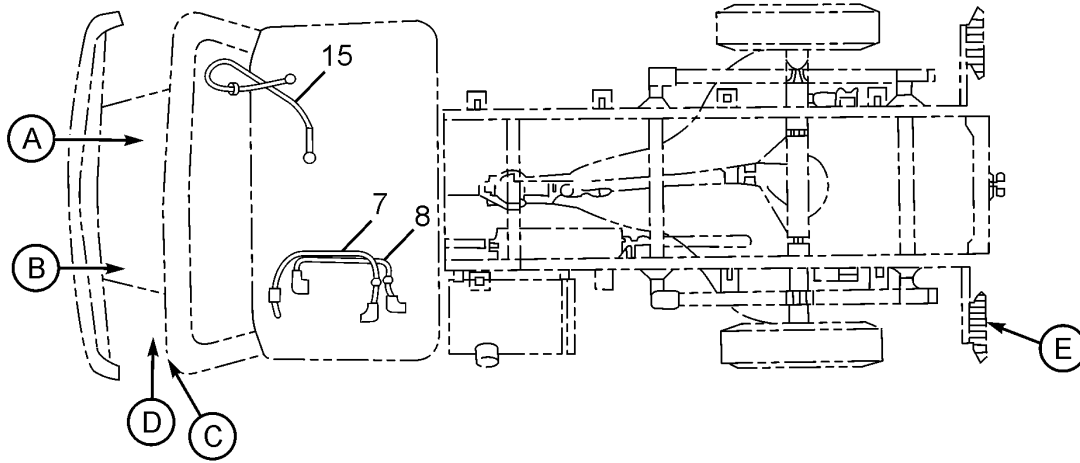
54.54.01A		ELECTRICAL EQUIPMENTS		GROUP 54
CHASSIS TYPE: 357175				
FIG. NO.	PART NUMBER	DESCRIPTION	QTY	REMARKS
7	265154100150	ASSY.BATT.CABLE +VE,[2100 LG.]50MM.SQ.	1	
8	265154100151	ASSY.BATT.CABLE -VE,[2600 LG] 50MM SQ.	1	
10	264754200109	INSTRUMENT CLUSTER (1:0.78)	1	
11	264754209902	FUEL GAUGE	1	LOOSE SERVICED
12	264754209903	TEMP. GAUGE	1	LOOSE SERVICED
14	264754209909	SPEEDOMETER (1:0.78)	1	LOOSE SERVICED
—	264754200113	W/H INST.CLUSTER	1	LOOSE SERVICED
15	265154209989	SPEEDOCABLE JIS 2000 MM	1	
16	269954209908	WIPER CONTROLLER	1	
19	269954200185	KIT-HORN CLEAR TONE M/S PADMINI.	1	
20	270654200104	ASSY BRACKET (HORN MTG)	1	
21	284254209916	RELAY	6	
23	264154400161	ASSY. HEAD LAMP LH-LHD	1	
23	264154400160	ASSY. HEAD LAMP RH-LHD	1	
—	264154409906	HEAD LAMP LEVELLING MOTOR	2	
—	265154200158	ELECTRIC BUZZER	1	
27	265154400197	ASSY. BLINKER LAMP LH	1	
27	265154400196	ASSY. BLINKER LAMP RH	1	
28	265454420140	ASSY SIDE INDICATOR LAMP LH	1	
28	265454420141	ASSY SIDE INDICATOR LAMP RH	1	
30	257654400111	ASSY. CAB LAMP	1	
35	265154400101	ASSY. ENGINE LAMP	1	
37	264154409904	FIVE CHAMBER TAIL LAMP(12V) LH	1	
37	264154409905	FIVE CHAMBER TAIL LAMP(12V) RH	1	
38	264154420144	ASSY TAIL LAMP BRACKET LH-RHD	1	
38	264154420143	ASSY TAIL LAMP BRACKET RH-RHD	1	
45	284254509915	DOOR SWITCH (REAR)	1	
46	265454510120	ASSY.COMBI SWITCH	1	
47	264154500114	IGNITION CUM STEERING LOCK	1	
48	264754400119	END OUTLINE MARKER LAMP	2	
50	264154506911	PIANO SW.(EXH.BR.ON) W/O CONN.	1	
50	269854506303	DUMMY PIANO SWITCH COVER	3	
50	269854500111	HEAD LAMP LEVELLING SW.[VERTICAL]	1	
—	265154500134	STOP LIGHT SWITCH	1	

CHASSIS TYPE: 357175



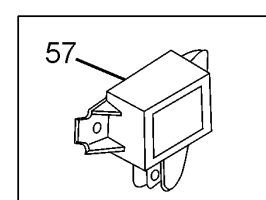
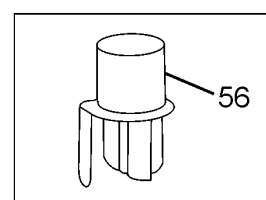
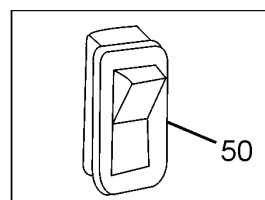
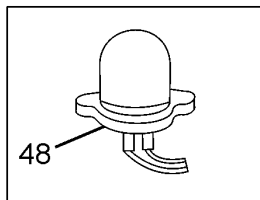
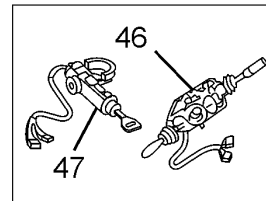
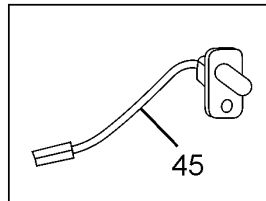
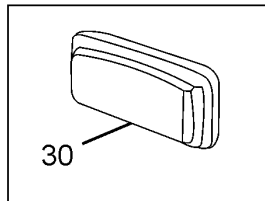
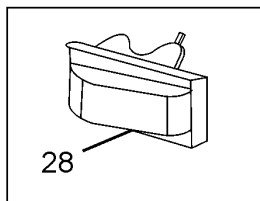
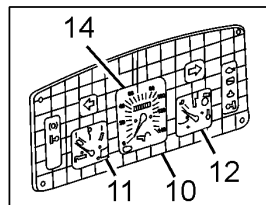
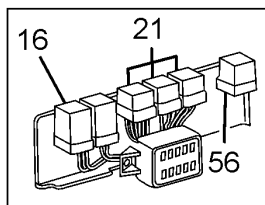
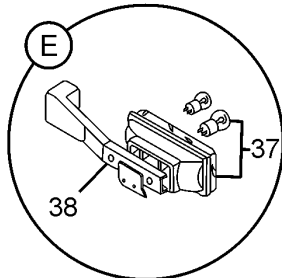
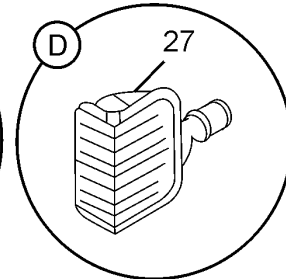
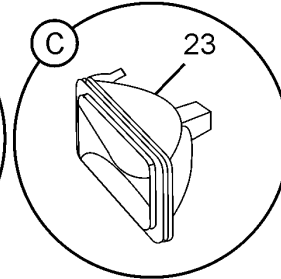
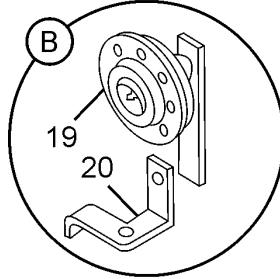
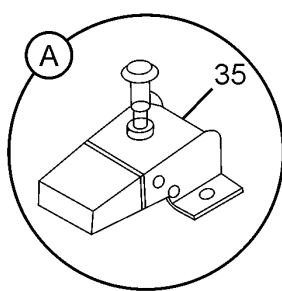
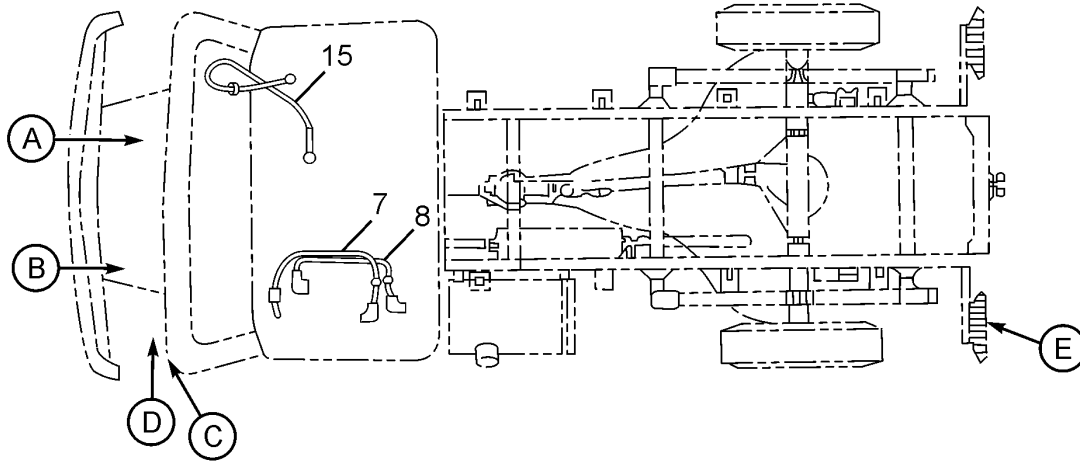
54.54.01A		ELECTRICAL EQUIPMENTS		GROUP 54	
CHASSIS TYPE: 357175					
FIG. NO.	PART NUMBER	DESCRIPTION	QTY	REMARKS	
56	282354509918	FLASHER	1		
57	265454204914	RELAY (FOR AUXILIARIES)	1		

CHASSIS TYPE: 357174



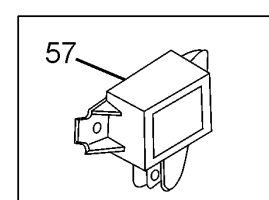
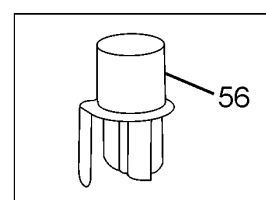
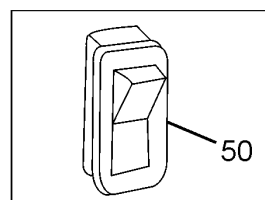
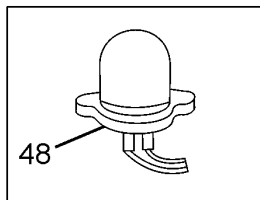
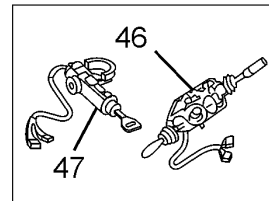
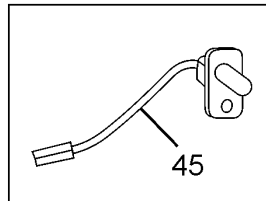
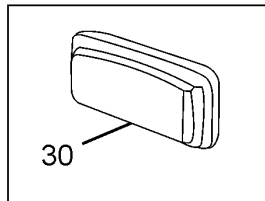
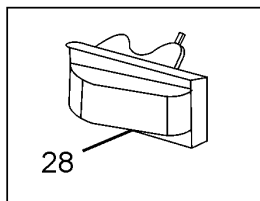
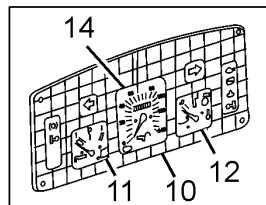
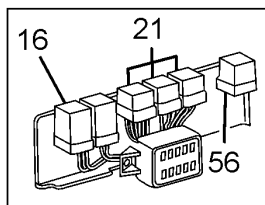
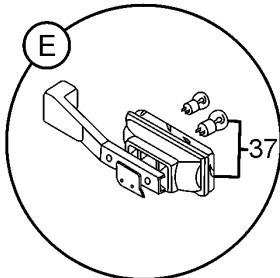
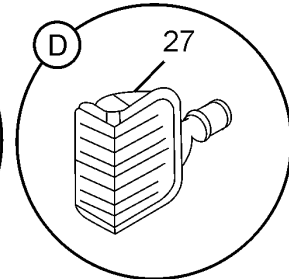
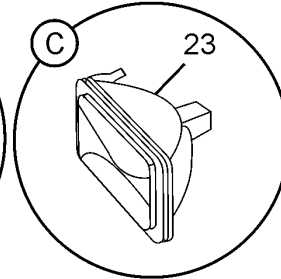
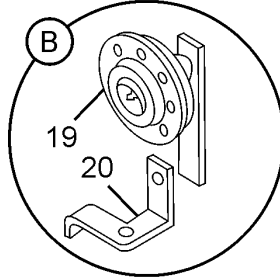
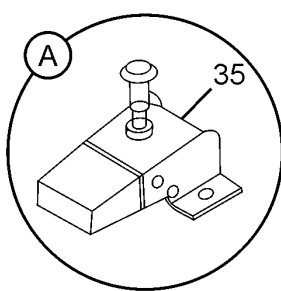
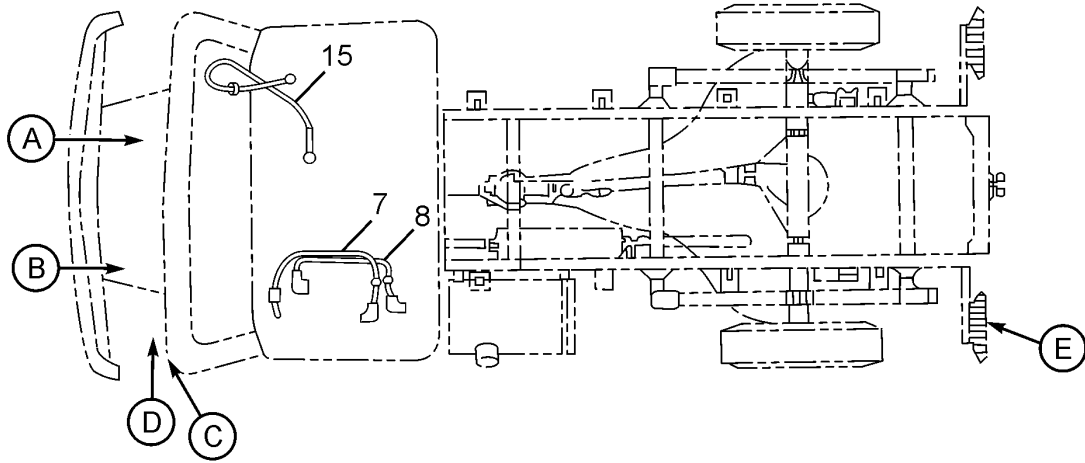
54.54.01B		ELECTRICAL EQUIPMENTS		GROUP 54	
CHASSIS TYPE: 357174					
FIG. NO.	PART NUMBER	DESCRIPTION	QTY	REMARKS	
7	265154100115	ASSY.BATT.CABLE +VE 2.1LG W/COT 50SQ.MM	1		
8	265154100114	ASSY.BATT.CABLE -VE 2.5LG W/COT 50SQ.MM	1		
10	265154210163	INSTRUMENT CLUSTER (1:0.78)	1		
11	264754209902	FUEL GAUGE	1	LOOSE SERVICED	
12	264754209903	TEMP. GAUGE	1	LOOSE SERVICED	
14	264754209909	SPEEDOMETER (1:0.78)	1	LOOSE SERVICED	
—	264754200113	W/H INST.CLUSTER	1	LOOSE SERVICED	
15	265154209989	SPEEDOCABLE JIS 2000 MM	1		
16	269954209908	WIPER CONTROLLER	1		
19	264154200144	KIT FOR HORN CLEAR TONE (M/S.PADMINI)	1		
20	270654200104	ASSY BRACKET (HORN MTG)	1		
21	284254209916	RELAY	6		
23	264154400161	ASSY. HEAD LAMP LH-LHD	1		
23	264154400160	ASSY. HEAD LAMP RH-LHD	1		
—	264154409906	HEAD LAMP LEVELLING MOTOR	2		
—	265154200158	ELECTRIC BUZZER	1		
27	265154400197	ASSY. BLINKER LAMP LH	1		
27	265154400196	ASSY. BLINKER LAMP RH	1		
28	265454420140	ASSY SIDE INDICATOR LAMP LH	1		
28	265454420141	ASSY SIDE INDICATOR LAMP RH	1		
30	257654400111	ASSY. CAB LAMP	1		
35	265154400101	ASSY. ENGINE LAMP	1		
37	265154410154	ASSY TAIL LAMP RH (E CERT) OFFER P NO	1		
37	265154410156	ASSY TAIL LAMP LH (E CERT) OFFER P NO	1		
45	284254509915	DOOR SWITCH (REAR)	1		
46	265454510120	ASSY.COMBI SWITCH	1		
47	264154500114	IGNITION CUM STEERING LOCK	1		
48	264754400119	END OUTLINE MARKER LAMP	2		
50	264154506911	PIANO SW.(EXH.BR.ON) W/O CONN.	1		
50	269854506303	DUMMY PIANO SWITCH COVER	3		
50	269854500111	HEAD LAMP LEVELLING SW.[VERTICAL]	1		
—	265154500134	STOP LIGHT SWITCH	1		
56	282654509901	FLASHER	1		
57	265454204914	RELAY (FOR AUXILIARIES)	1		

CHASSIS TYPE: 357172



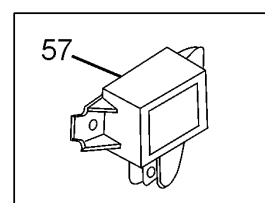
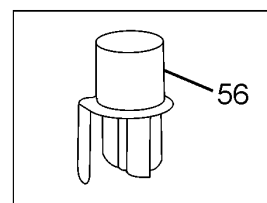
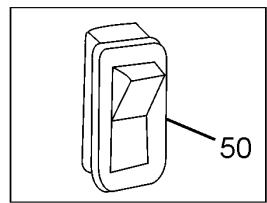
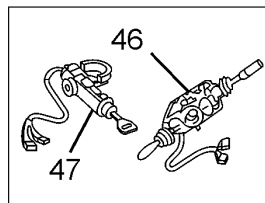
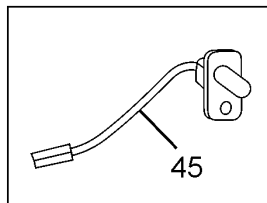
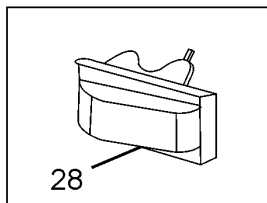
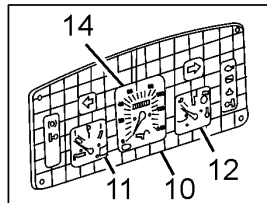
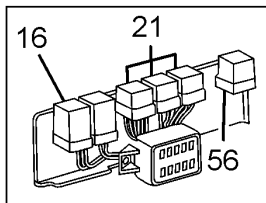
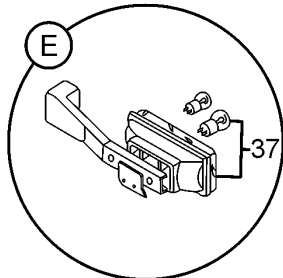
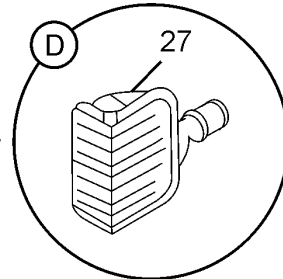
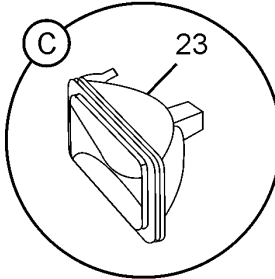
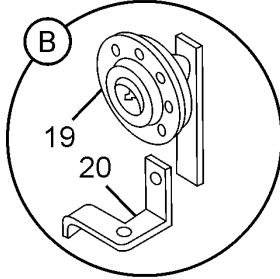
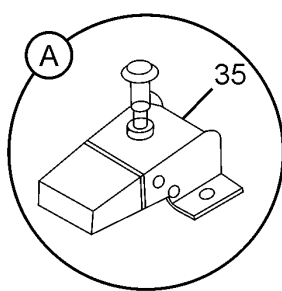
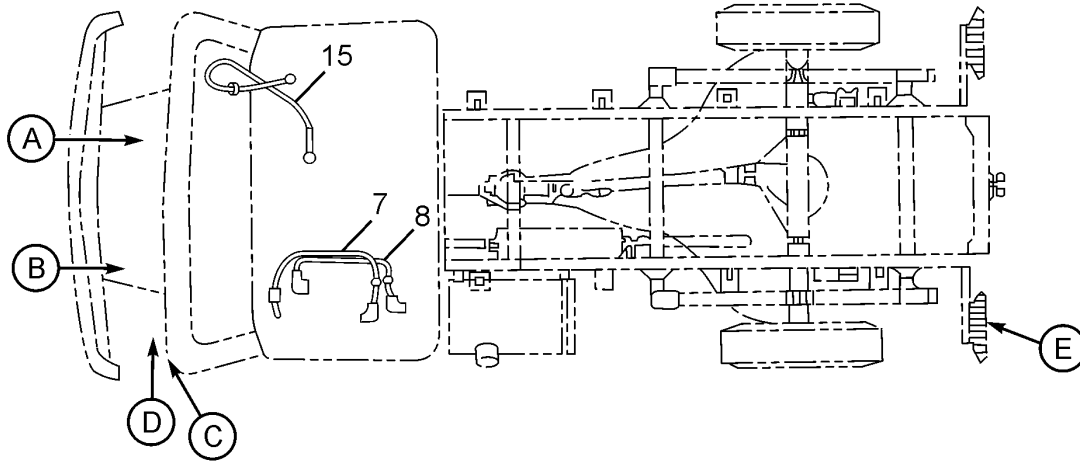
54.54.01C		ELECTRICAL EQUIPMENTS		GROUP 54
CHASSIS TYPE: 357172				
FIG. NO.	PART NUMBER	DESCRIPTION	QTY	REMARKS
7	265154100150	ASSY.BATT.CABLE +VE,[2100 LG.]50MM.SQ.	1	
8	265154100151	ASSY.BATT.CABLE -VE,[2600 LG] 50MM SQ.	1	
10	264754200109	INSTRUMENT CLUSTER (1:0.78)	1	
11	264754209902	FUEL GAUGE	1	LOOSE SERVICED
12	264754209903	TEMP. GAUGE	1	LOOSE SERVICED
14	264754209909	SPEEDOMETER (1:0.78)	1	LOOSE SERVICED
—	264754200113	W/H INST.CLUSTER	1	LOOSE SERVICED
15	265154209989	SPEEDOCABLE JIS 2000 MM	1	
16	269954209908	WIPER CONTROLLER	1	
19	269954200185	KIT-HORN CLEAR TONE M/S PADMINI.	1	
20	270654200104	ASSY BRACKET (HORN MTG)	1	
21	284254209916	RELAY	6	
23	264154400161	ASSY. HEAD LAMP LH-LHD	1	
23	264154400160	ASSY. HEAD LAMP RH-LHD	1	
—	264154409906	HEAD LAMP LEVELLING MOTOR	2	
—	265154200158	ELECTRIC BUZZER	1	
27	265154400197	ASSY. BLINKER LAMP LH	1	
27	265154400196	ASSY. BLINKER LAMP RH	1	
28	265454420140	ASSY SIDE INDICATOR LAMP LH	1	
28	265454420141	ASSY SIDE INDICATOR LAMP RH	1	
30	257654400111	ASSY. CAB LAMP	1	
35	265154430117	ASSY. ENGINE LAMP	1	
37	264154409904	FIVE CHAMBER TAIL LAMP(12V) LH	1	
37	264154409905	FIVE CHAMBER TAIL LAMP(12V) RH	1	
38	264154420144	ASSY TAIL LAMP BRACKET LH-RHD	1	
38	264154420143	ASSY TAIL LAMP BRACKET RH-RHD	1	
45	284254509915	DOOR SWITCH (REAR)	1	
46	265454510120	ASSY.COMBI SWITCH	1	
47	264154500114	IGNITION CUM STEERING LOCK	1	
48	264754400119	END OUTLINE MARKER LAMP	2	
50	264154506911	PIANO SW.(EXH.BR.ON) W/O CONN.	1	
50	269854506303	DUMMY PIANO SWITCH COVER	3	
50	269854500111	HEAD LAMP LEVELLING SW.[VERTICAL]	1	
—	265154500134	STOP LIGHT SWITCH	1	
56	282354509918	FLASHER	1	
57	265454204914	RELAY (FOR AUXILIARIES)	1	

CHASSIS TYPE: 357171



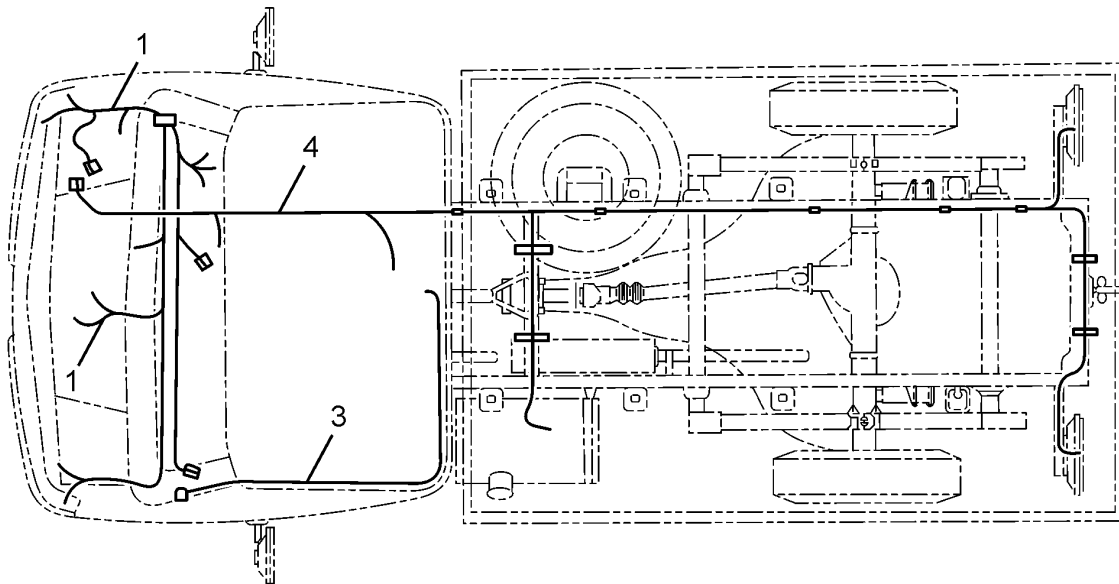
54.54.01D		ELECTRICAL EQUIPMENTS		GROUP 54
CHASSIS TYPE: 357171				
FIG. NO.	PART NUMBER	DESCRIPTION	QTY	REMARKS
7	265154100150	ASSY.BATT.CABLE +VE,[2100 LG.]50MM.SQ.	1	
8	265154100151	ASSY.BATT.CABLE -VE,[2600 LG] 50MM SQ.	1	
10	264754200109	INSTRUMENT CLUSTER (1:0.78)	1	
11	264754209902	FUEL GAUGE	1	LOOSE SERVICED
12	264754209903	TEMP. GAUGE	1	LOOSE SERVICED
14	264754209909	SPEEDOMETER (1:0.78)	1	LOOSE SERVICED
—	264754200113	W/H INST.CLUSTER	1	LOOSE SERVICED
15	265154209989	SPEEDOCABLE JIS 2000 MM	1	
16	269954209908	WIPER CONTROLLER	1	
19	269954200185	KIT-HORN CLEAR TONE M/S PADMINI.	1	
20	270654200104	ASSY BRACKET (HORN MTG)	1	
21	284254209916	RELAY	6	
23	264154400161	ASSY. HEAD LAMP LH-LHD	1	
23	264154400160	ASSY. HEAD LAMP RH-LHD	1	
—	264154409906	HEAD LAMP LEVELLING MOTOR	2	
—	265154200158	ELECTRIC BUZZER	1	
27	265154400197	ASSY. BLINKER LAMP LH	1	
27	265154400196	ASSY. BLINKER LAMP RH	1	
28	265454420140	ASSY SIDE INDICATOR LAMP LH	1	
28	265454420141	ASSY SIDE INDICATOR LAMP RH	1	
30	257654400111	ASSY. CAB LAMP	1	
35	265154430117	ASSY. ENGINE LAMP	1	
37	264154409904	FIVE CHAMBER TAIL LAMP(12V) LH	1	
37	264154409905	FIVE CHAMBER TAIL LAMP(12V) RH	1	
45	284254509915	DOOR SWITCH (REAR)	1	
46	265454510120	ASSY.COMBI SWITCH	1	
47	264154500114	IGNITION CUM STEERING LOCK	1	
48	264754400119	END OUTLINE MARKER LAMP	2	
50	264154506911	PIANO SW.(EXH.BR.ON) W/O CONN.	1	
50	269854506303	DUMMY PIANO SWITCH COVER	3	
50	269854500111	HEAD LAMP LEVELLING SW.[VERTICAL]	1	
—	265154500134	STOP LIGHT SWITCH	1	
56	282354509918	FLASHER	1	
57	265454204914	RELAY (FOR AUXILIARIES)	1	

CHASSIS TYPE: 357173



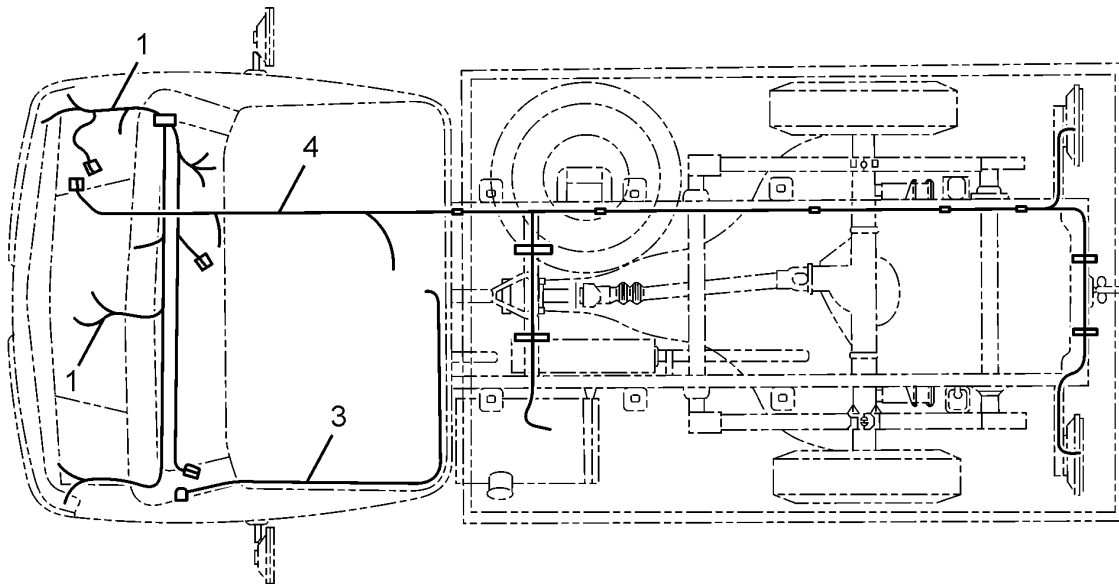
54.54.01E		ELECTRICAL EQUIPMENTS		GROUP 54	
CHASSIS TYPE: 357173					
FIG. NO.	PART NUMBER	DESCRIPTION	QTY	REMARKS	
7	265154100150	ASSY.BATT.CABLE +VE,[2100 LG.]50MM.SQ.	1		
8	265154100151	ASSY.BATT.CABLE -VE,[2600 LG] 50MM SQ.	1		
10	264754200109	INSTRUMENT CLUSTER (1:0.78)	1		
11	264754209902	FUEL GAUGE	1	LOOSE SERVICED	
12	264754209903	TEMP. GAUGE	1	LOOSE SERVICED	
14	264754209909	SPEEDOMETER (1:0.78)	1	LOOSE SERVICED	
—	264754200113	W/H INST.CLUSTER	1	LOOSE SERVICED	
15	265154209989	SPEEDOCABLE JIS 2000 MM	1		
16	269954209908	WIPER CONTROLLER	1		
19	269954200185	KIT-HORN CLEAR TONE M/S PADMINI.	1		
20	270654200104	ASSY BRACKET (HORN MTG)	1		
21	284254209916	RELAY	6		
23	264154400161	ASSY. HEAD LAMP LH-LHD	1		
23	264154400160	ASSY. HEAD LAMP RH-LHD	1		
—	264154409906	HEAD LAMP LEVELLING MOTOR	2		
—	265154200158	ELECTRIC BUZZER	1		
27	265154400197	ASSY. BLINKER LAMP LH	1		
27	265154400196	ASSY. BLINKER LAMP RH	1		
28	265454420140	ASSY SIDE INDICATOR LAMP LH	1		
28	265454420141	ASSY SIDE INDICATOR LAMP RH	1		
35	265154430117	ASSY. ENGINE LAMP	1		
37	264154409904	FIVE CHAMBER TAIL LAMP(12V) LH	1		
37	264154409905	FIVE CHAMBER TAIL LAMP(12V) RH	1		
45	284254509915	DOOR SWITCH (REAR)	1		
46	265454510120	ASSY.COMBI SWITCH	1		
47	264154500114	IGNITION CUM STEERING LOCK	1		
50	264154506911	PIANO SW.(EXH.BR.ON) W/O CONN.	1		
50	269854506303	DUMMY PIANO SWITCH COVER	3		
50	269854500111	HEAD LAMP LEVELLING SW.[VERTICAL]	1		
—	265154500134	STOP LIGHT SWITCH	1		
56	282354509918	FLASHER	1		
57	265454204914	RELAY (FOR AUXILIARIES)	1		

CHASSIS TYPE: 357175



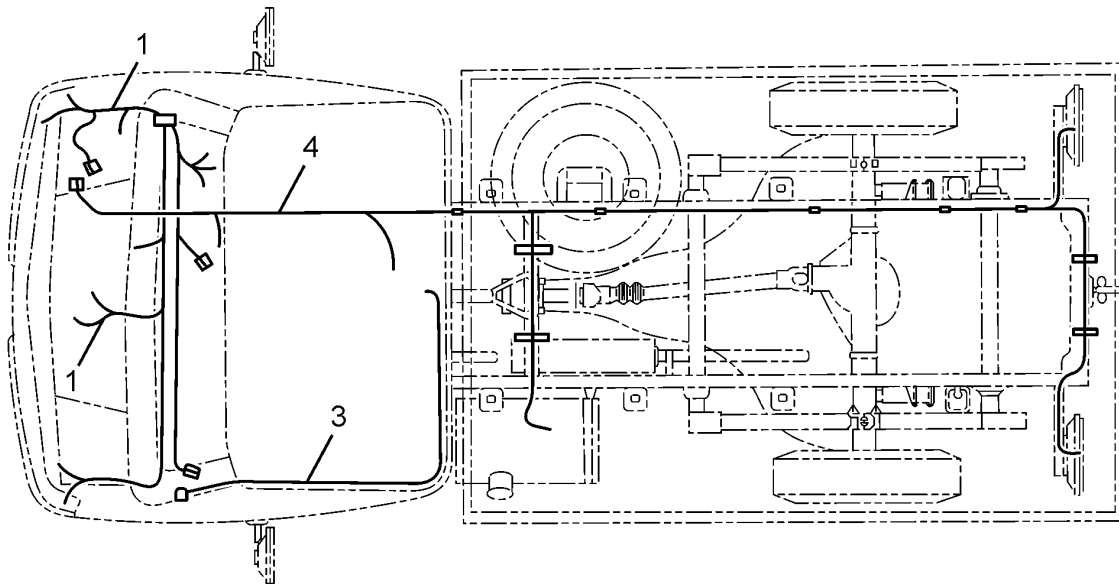
54.54.02A		WIRING HARNESS		GROUP 54
CHASSIS TYPE: 357175				
FIG. NO.	PART NUMBER	DESCRIPTION	QTY	REMARKS
1	265154630101	W/H MAIN LHD	1	
3	265154630103	W/H ROOF	1	
4	265154630102	W/H TAIL LHD 31WB	1	
—	265154630106	W/H F.I.P.-BHARAT STAGE-II	1	
—	265154630104	W/H SEAT BELT	1	
—	265154630105	W/H PARKING BRAKE SWITCH	1	
—	264354620140	W/H BLOWER	1	
-	270554100141	EARTHING CABLE (CAB EARTH)400MM	1	

CHASSIS TYPE: 357174



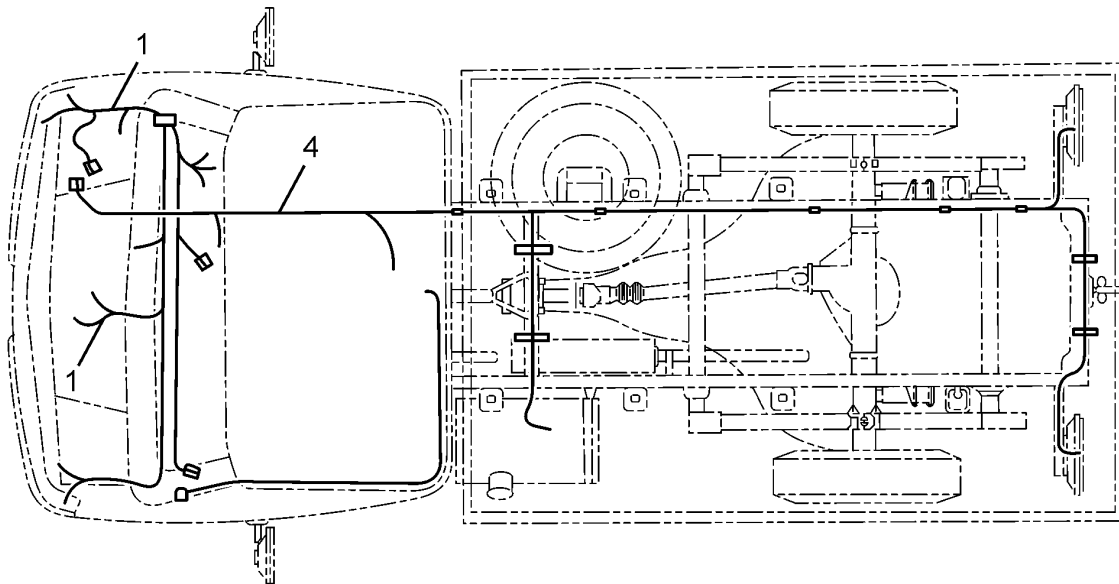
54.54.02B		WIRING HARNESS		GROUP 54
CHASSIS TYPE: 357174				
FIG. NO.	PART NUMBER	DESCRIPTION	QTY	REMARKS
1	265154620175	W/H MAIN LHD W/HD CMVR	1	
3	265154610122	WIRING HARNESS (ROOF)	1	
4	265154610129	W/H TAIL RHD 31WB	1	
—	265154630106	W/H F.I.P.-BHARAT STAGE-II	1	
—	264154610107	W/H SEAT BELT SWITCH	1	
—	265154620134	WIRING HARNESS BLOWER	1	

CHASSIS TYPE: 357171; 357172



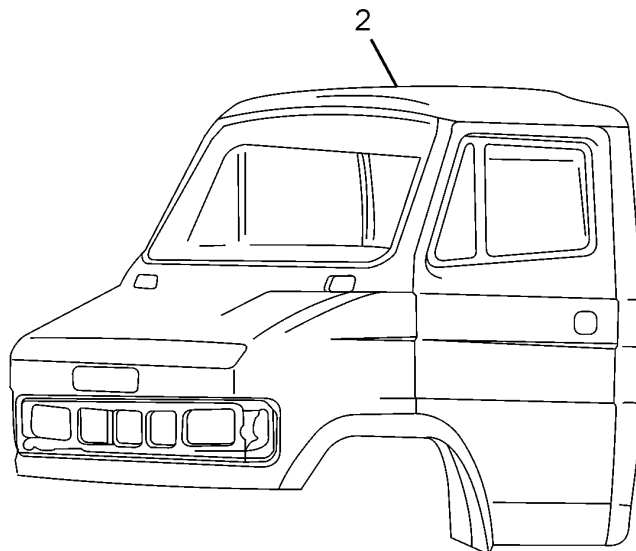
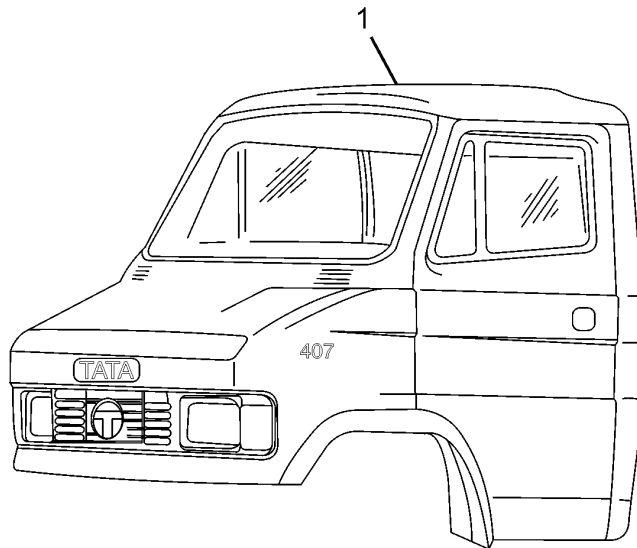
54.54.02C		WIRING HARNESS		GROUP 54
CHASSIS TYPE: 357171; 357172				
FIG. NO.	PART NUMBER	DESCRIPTION	QTY	REMARKS
1	265154630101	W/H MAIN LHD	1	
3	265154630103	W/H ROOF	1	
4	265154630102	W/H TAIL LHD 31WB	1	
—	265154630106	W/H F.I.P.-BHARAT STAGE-II	1	
—	265154630104	W/H SEAT BELT	1	
—	265154630105	W/H PARKING BRAKE SWITCH	1	
—	270554100141	EARTHING CABLE (CAB EARTH)400MM	1	

CHASSIS TYPE: 357173



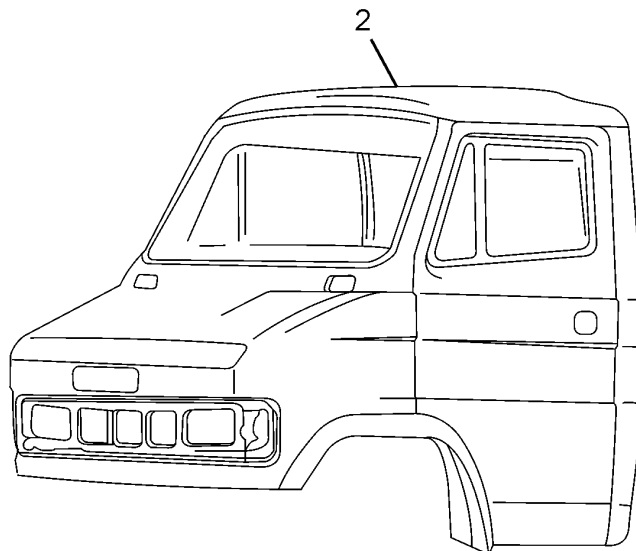
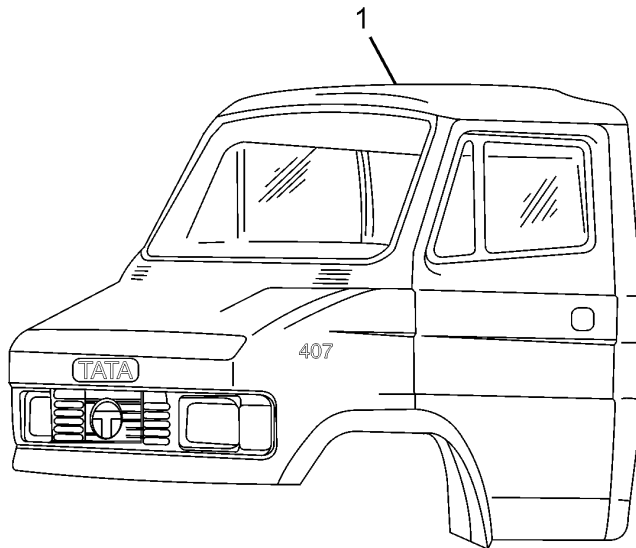
54.54.02D		WIRING HARNESS		GROUP 54
CHASSIS TYPE: 357173				
FIG. NO.	PART NUMBER	DESCRIPTION	QTY	REMARKS
1	265154630101	W/H MAIN LHD	1	
4	265154630102	W/H TAIL LHD 31WB	1	
—	265154630106	W/H F.I.P.-BHARAT STAGE-II	1	
—	265154630104	W/H SEAT BELT	1	
—	265154630105	W/H PARKING BRAKE SWITCH	1	
—	270554100141	EARTHING CABLE (CAB EARTH)400MM	1	

CHASSIS TYPE: 357175



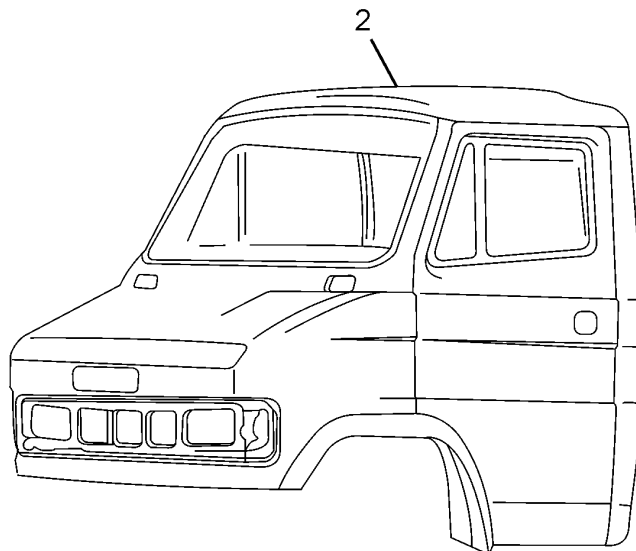
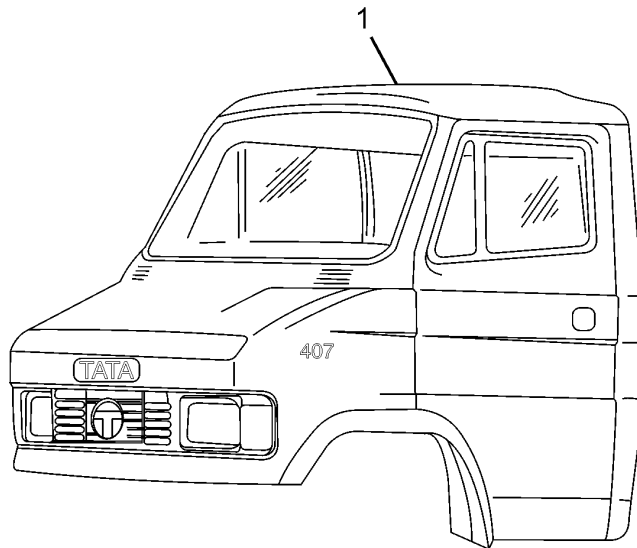
60.60.01A		ASSY.CAB COMPLETE		GROUP 60
CHASSIS TYPE: 357175				
FIG. NO.	PART NUMBER	DESCRIPTION	QTY	REMARKS
1	265160130196	ASSY.CAB COMPLETE WITH FITMENTS-LHD	1	
2	265160130197	ASSY.BODY SHELL COMPLETE PAINTED-LHD	1	

CHASSIS TYPE: 357174



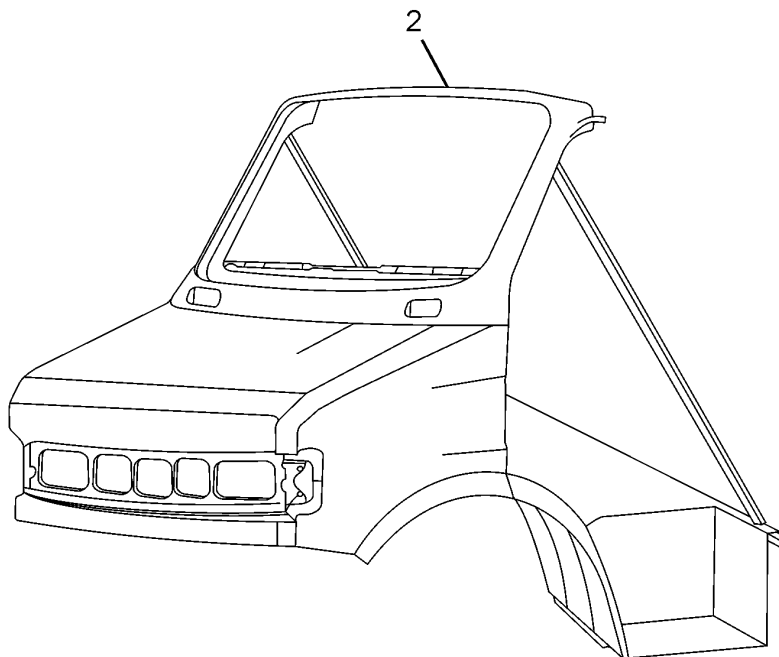
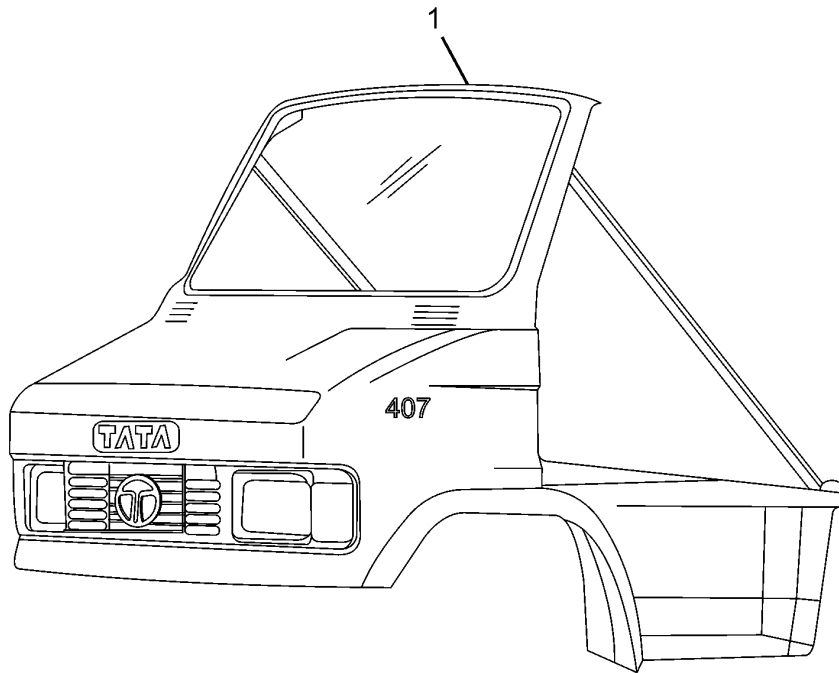
60.60.01B		ASSY.CAB COMPLETE		GROUP 60	
CHASSIS TYPE: 357174					
FIG. NO.	PART NUMBER	DESCRIPTION	QTY	REMARKS	
1	265160130164	ASSY.CAB COMPLETE WITH FITMENTS-LHD	1		
2	265160130165	ASSY.BODY SHELL COMPLETE PAINTED LHD	1		

CHASSIS TYPE: 357171; 357172



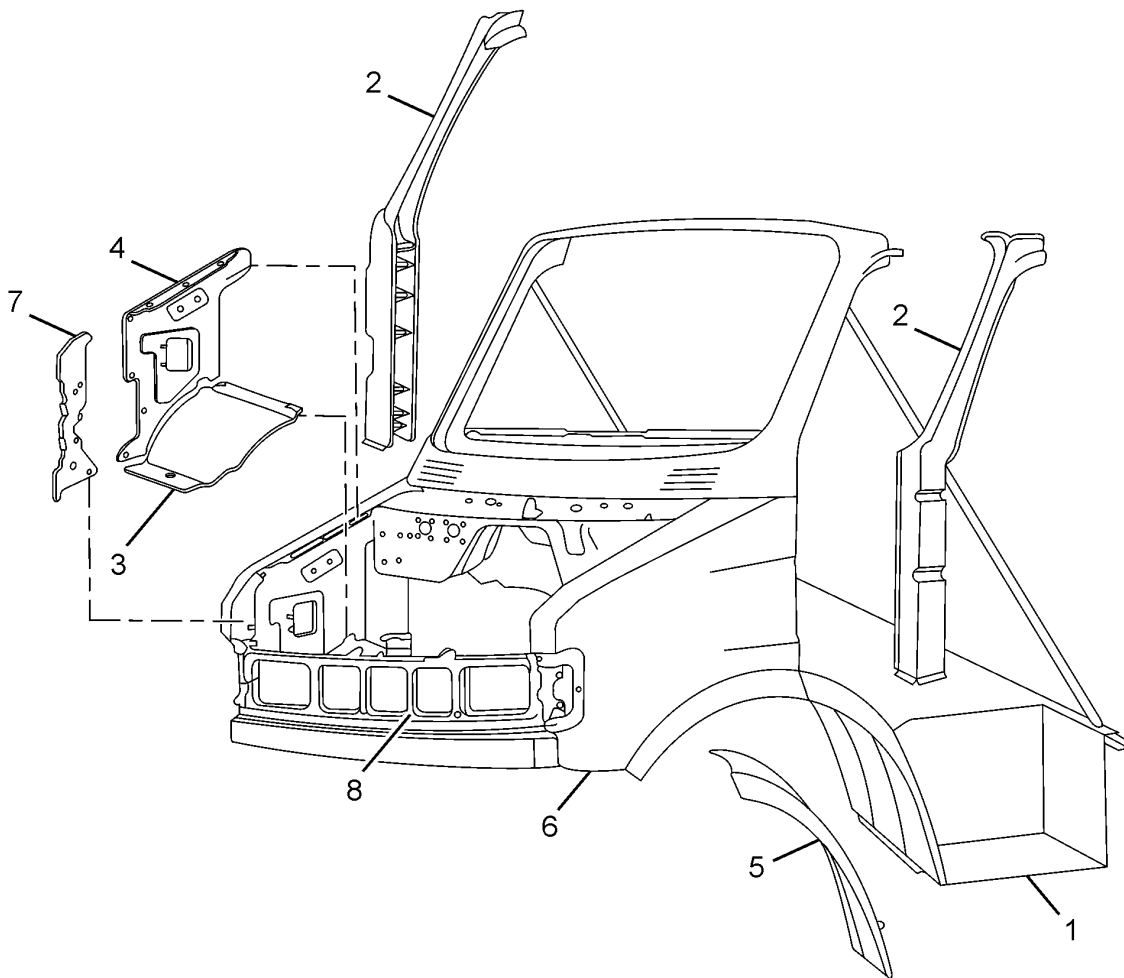
60.60.01C		ASSY. CAB COMPLETE		GROUP 60	
CHASSIS TYPE: 357171; 357172					
FIG. NO.	PART NUMBER	DESCRIPTION	QTY	REMARKS	
1	267460130132	ASSY.CAB COMPLETE-LHD	1		
2	267460130133	ASSY.BODY SHELL COMPLETE PAINTED-LHD	1		

CHASSIS TYPE: 357173



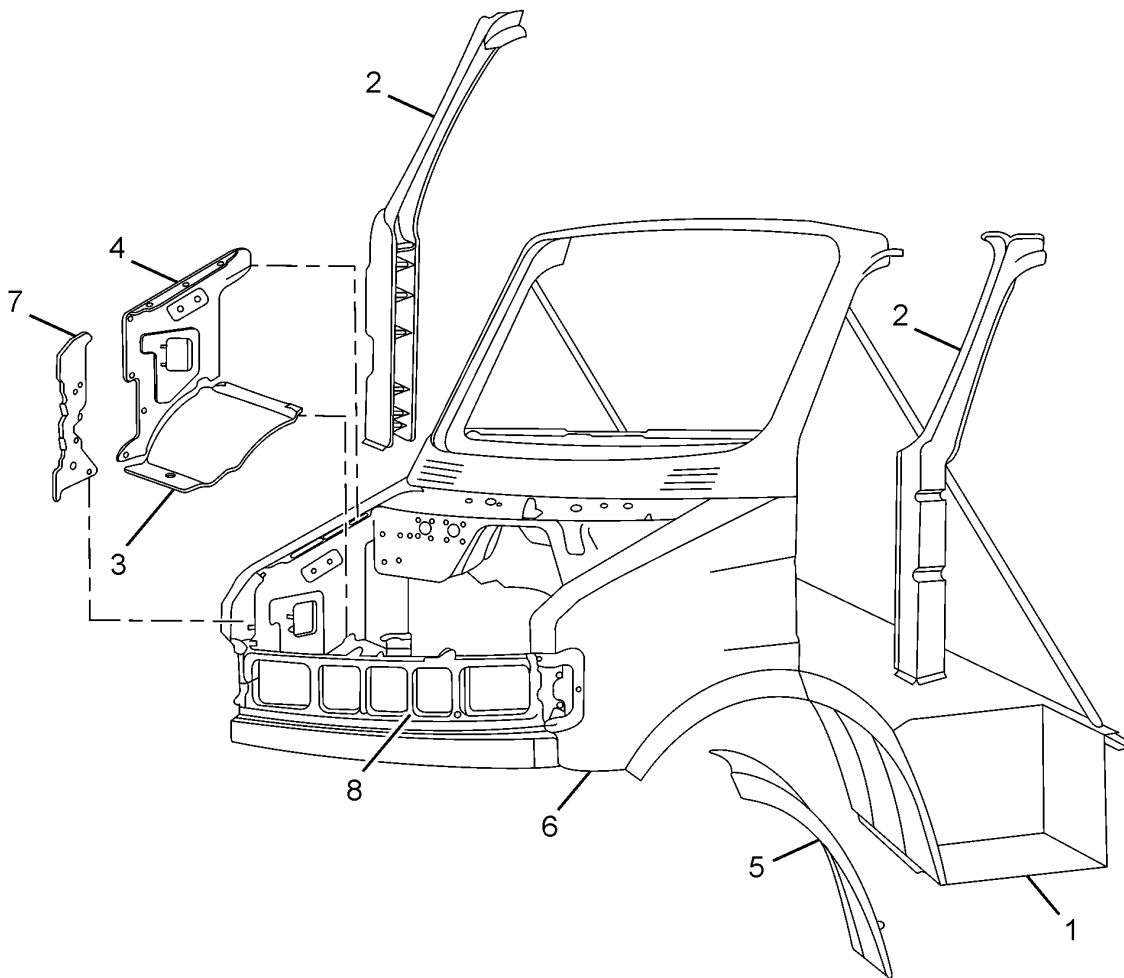
60.60.01D		ASSY. COWL COMPLETE		GROUP 60	
CHASSIS TYPE: 357173					
FIG. NO.	PART NUMBER	DESCRIPTION	QTY	REMARKS	
1	267460130138	ASSY.COWL COMPLETE LHD E-II	1		
2	267460130139	ASSY.COWL SHELL COMPLETE PAINTED LHD	1		

CHASSIS TYPE: 357171; 357172; 357175; 357174



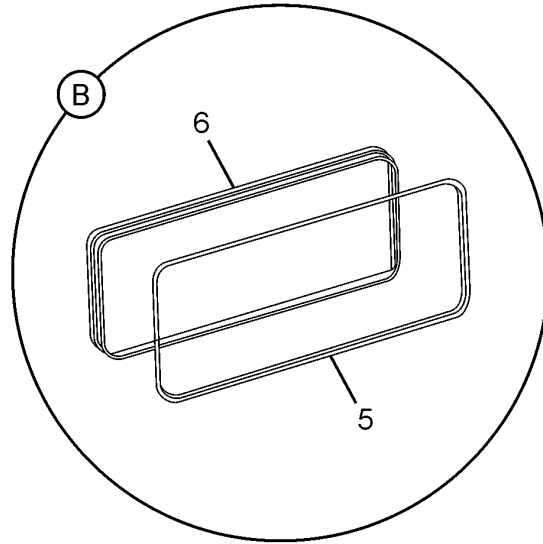
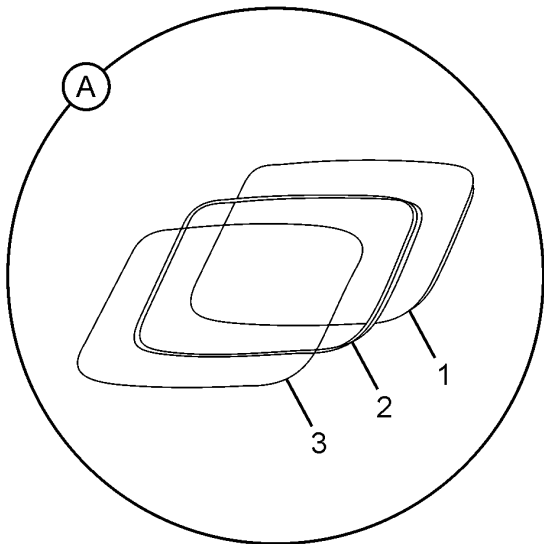
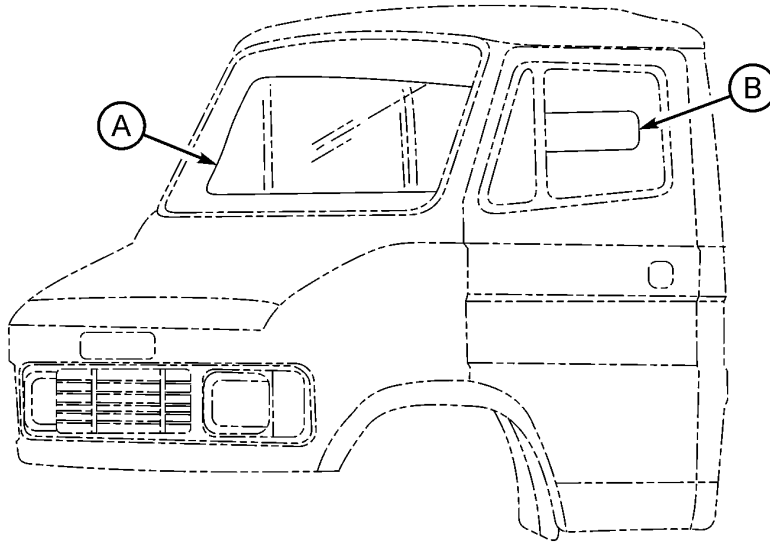
60.60.02		SHEET METAL PARTS		GROUP 60	
CHASSIS TYPE: 357171; 357172; 357175; 357174					
FIG. NO.	PART NUMBER	DESCRIPTION	QTY	REMARKS	
1	265161600123	ASSY. STEP WELL LH LHD	1		
1	265161600124	ASSY. STEP WELL RH LHD	1		
2	265162100118	ASSY.DOOR POST FRONT.LH.	1		
2	265162100119	ASSY.DOOR POST FRONT.RH.	1		
3	265160600113	ASSY.MUDGUARD COMP.L.H. L.H.D.	1		
3	265160600114	ASSY.MUDGUARD COMP.R.H. L.H.D.	1		
4	265160600101	ASSY. PANEL INNER BONNET REAR LH	1		
4	265160600116	ASSY.PANEL INNER BONNET REAR RH	1		
5	265160108206	FENDER LH	1		
5	265160108207	FENDER RH	1		
6	265188100108	ASSY. BONNET SIDE LH	1		
6	265188100109	ASSY. BONNET SIDE RH	1		
7	265188600101	ASSY. PANEL INNER BONNET FRONT LH	1		
7	265188600102	ASSY. PANEL INNER BONNET FRONT RH	1		
8	265160130119	ASSY. PANEL FRONT	1		

CHASSIS TYPE: 357173



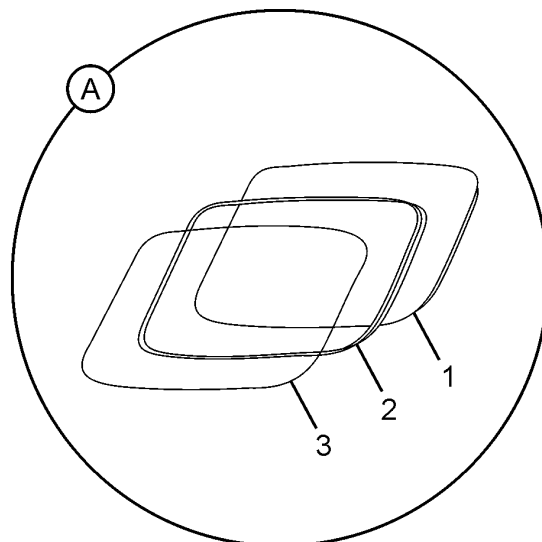
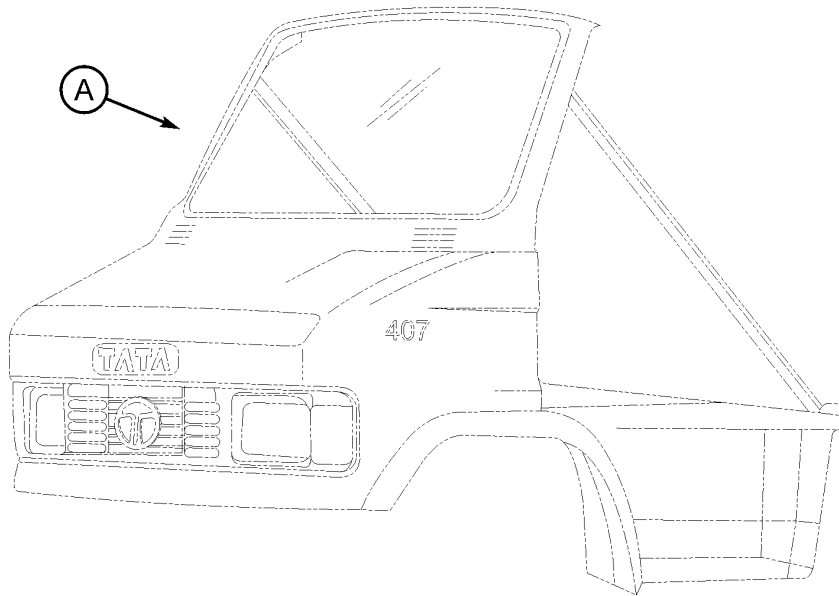
60.60.03		SHEET METAL PARTS		GROUP 60	
CHASSIS TYPE: 357173					
FIG. NO.	PART NUMBER	DESCRIPTION	QTY	REMARKS	
1	265161600125	ASSY.STEP WELL COWL LH LHD	1		
1	265161600126	ASSY.STEP WELL COWL RH LHD	1		
2	265162100118	ASSY.DOOR POST FRONT.LH.	1		
2	265162100119	ASSY.DOOR POST FRONT.RH.	1		
3	267460600110	ASSY.MUDGUARD COMPLETE LH LHD	1		
3	265160600114	ASSY.MUDGUARD COMP.R.H. L.H.D.	1		
4	267460600109	ASSY.PANEL INNER BONNET REAR LH-LHD	1		
4	265160600116	ASSY. PANEL INNER BONNET REAR RH	1		
5	265160108206	FENDER LH	1		
5	265160108207	FENDER RH	1		
6	265188100108	ASSY. BONNET SIDE LH	1		
6	265188100109	ASSY. BONNET SIDE RH	1		
7	265188600101	ASSY. PANEL INNER BONNET FRONT LH	1		
7	265188600102	ASSY. PANEL INNER BONNET FRONT RH	1		
8	265160130119	ASSY. PANEL FRONT	1		

CHASSIS TYPE: 357171; 357172; 357175; 357174



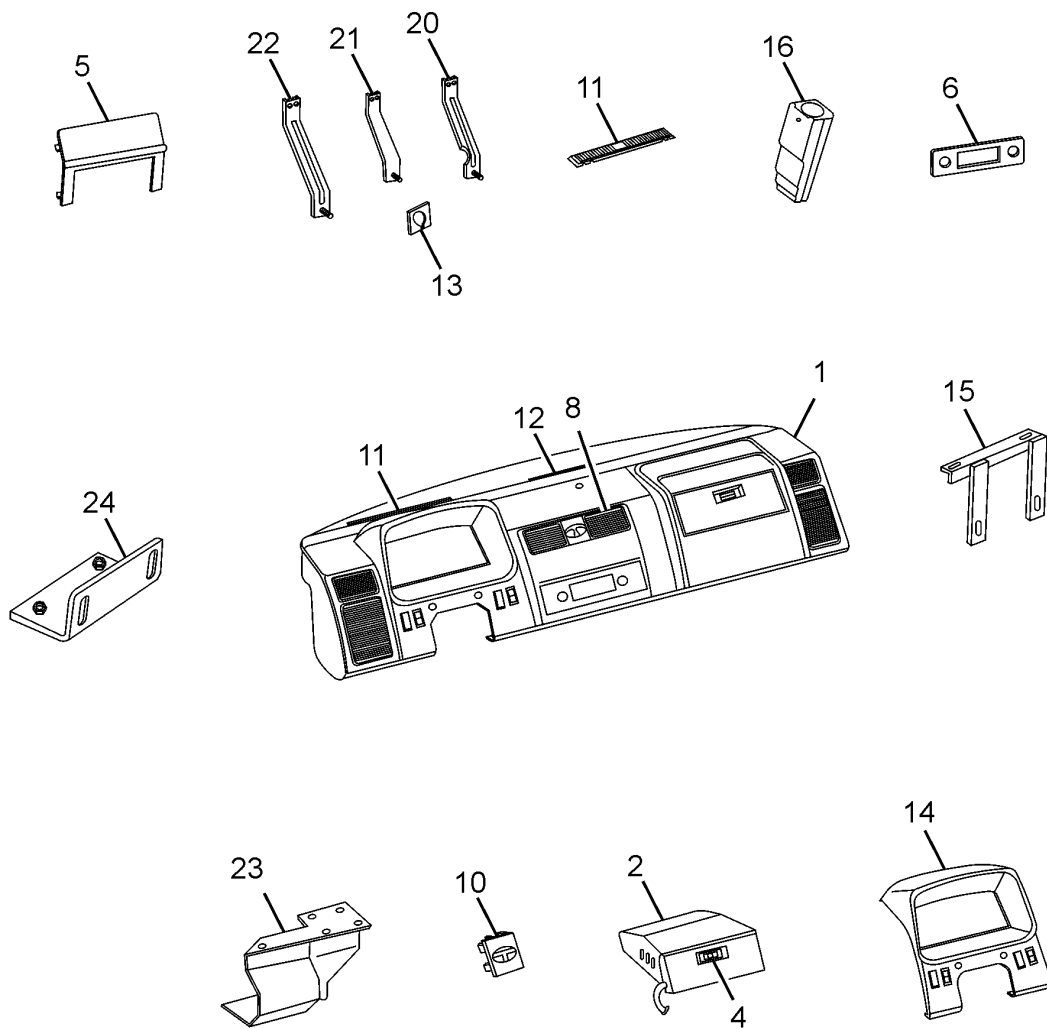
60.67.01		WIND SHIELD GLASS		GROUP 67	
CHASSIS TYPE: 357171; 357172; 357175; 357174					
FIG. NO.	PART NUMBER	DESCRIPTION	QTY	REMARKS	
1	265167102304	WIND SHIELD GLASS	1		
2	267467106301	RUBBER MOULD [6.78 THK.LAM.W/S GLASS]	1		
3	265167102504	KEY PROFILE (WIND SHIELD)	1		
		REAR WINDOW			
5	265167802301	GLASS PANE(EAR WINDOW)	1		
6	265167106304	RUBBER MOULD-REAR WINDOW [KEYLESS PROF.]	1		

CHASSIS TYPE: 357173



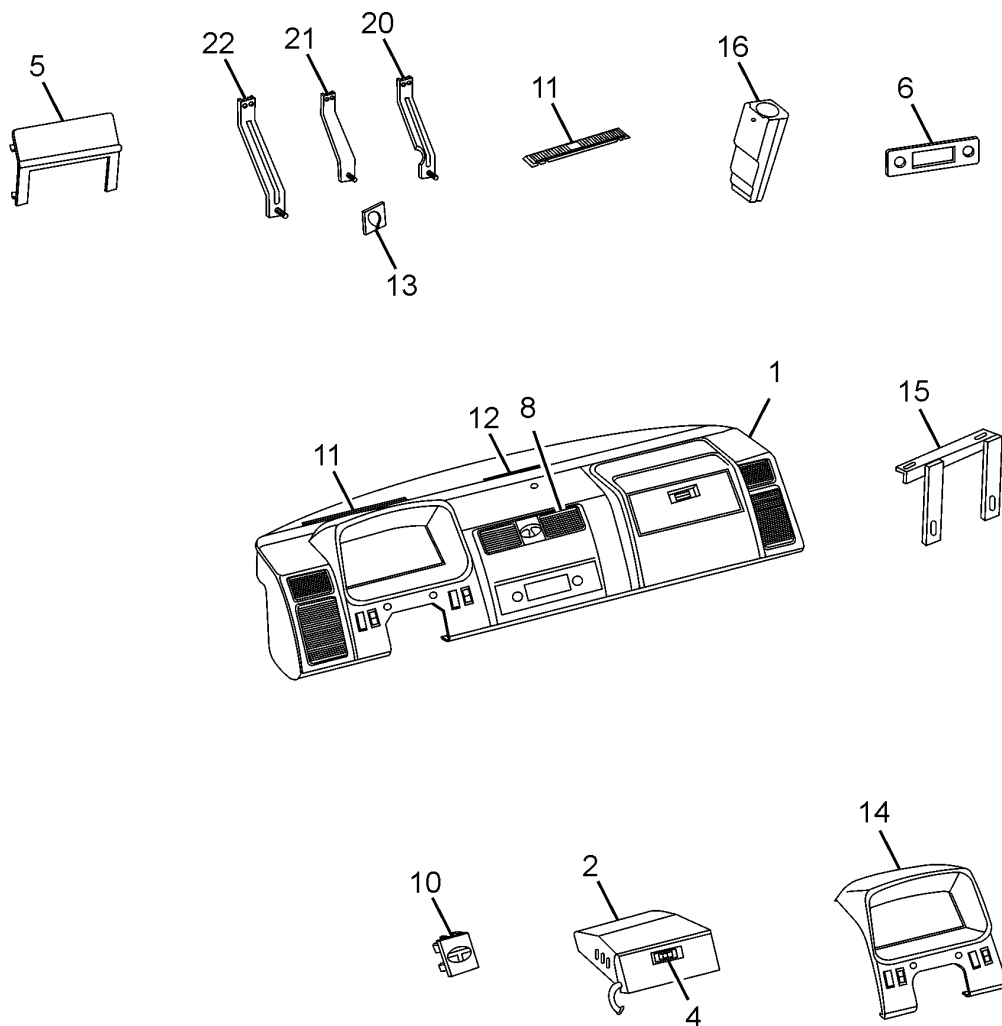
60.67.02		WINDSHIELD GLASS		GROUP 67	
CHASSIS TYPE: 357173					
FIG. NO.	PART NUMBER	DESCRIPTION	QTY	REMARKS	
1	265167102306	FRONT WIND SHIELD GLASS (5.7 MM THICK) LAMINATED	1		
2	265167106303	RUBBER MOULD (FOR 5.7 MM WIND SHIELD GLASS)	1		
3	265167102504	KEY PROFILE (WIND SHIELD)	1		

CHASSIS TYPE: 357175



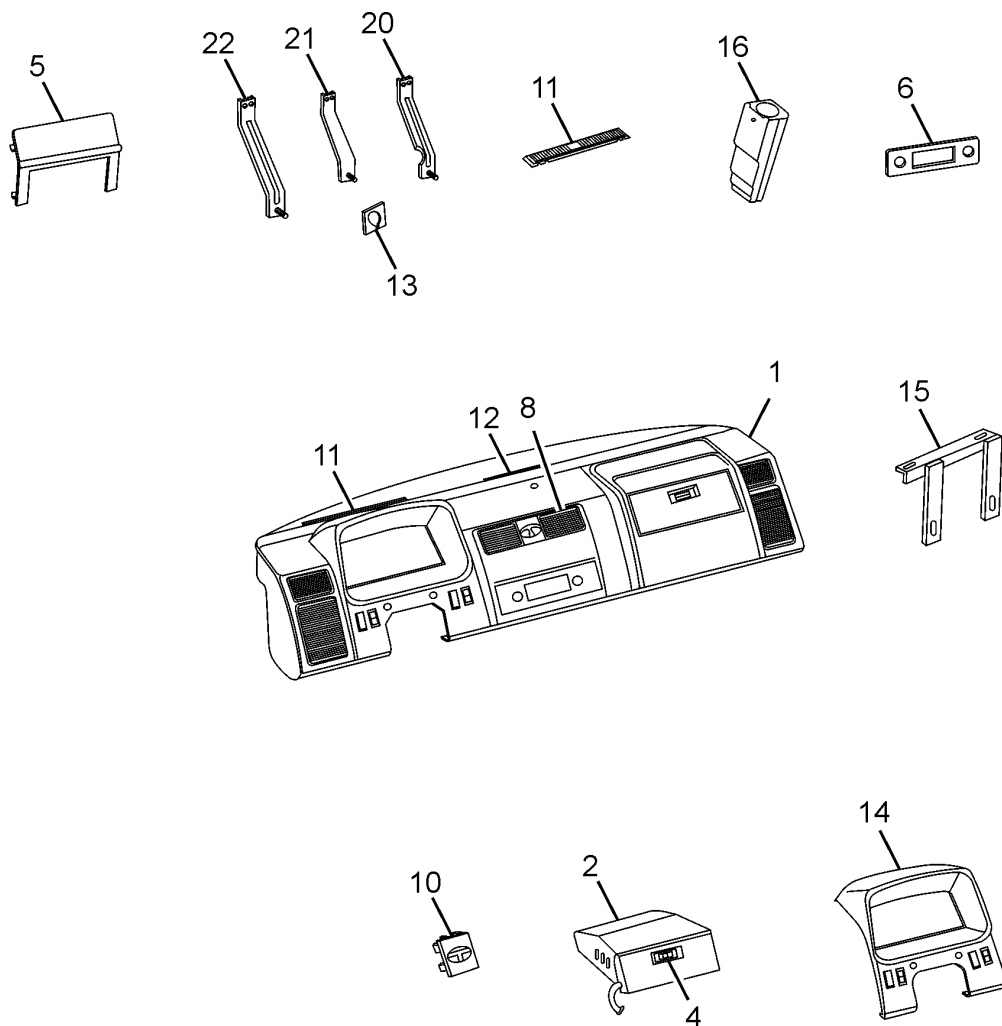
60.68.01A		DASHBOARD		GROUP 68
CHASSIS TYPE: 357175				
FIG. NO.	PART NUMBER	DESCRIPTION	QTY	REMARKS
1	265168900190	ASSY.DASH BOARD COMPLT.LHD(WITH DEFROST)	1	
—	265168916315	DASH BOARD - LHD (FOR HEATING SYSTEM).	1	
2	265168900143	ASSY. GLOVE BOX COMPLETE	1	
4	265468900135	ASSY. GLOVE BOX LOCK	1	
5	264168906317	COVER CENTRE (DIN RADIO)	1	
6	265168916314	COVER FOR RADIO CUT OUT	1	
	265168906355	SPEAKER GRILL	2	
8	264168906315	COVER CENTRE	1	
10	264168906314	T EMBLEM COVER(DASH BOARD)	1	
11	265168906389	GARNISH (FOR SIDE DEFROST)	2	
12	265168906388	GARNISH (FOR MIDDLE DEFROST)	1	
13	265468906341	RUBBER SPACER	1	
14	265168906344	INSTRUMENT SHROUD	1	
15	265162100149	ASSY.SUPPORT LHD(INSTRUMENT SHROUD)	1	
16	265168910114	SET NECELLE FRONT AND REAR	1	
20	265168900145	ASSY BRACKET TOP SIDE (DASH BOARD MOUNTING)	1	
21	265168900188	ASSY.BRKT TOP[D'BOARD MTG.CO-DRVR SIDE]	1	
22	265168900178	ASSY.BRACKET TOP [DASHBOARD MTG.]	2	
23	265183106333	COVER LHD (FOR A.C.UNIT)	1	
24	265183100156	ASSY.BRACKET (COVER MTG.)	1	

CHASSIS TYPE: 357171; 357172; 357174



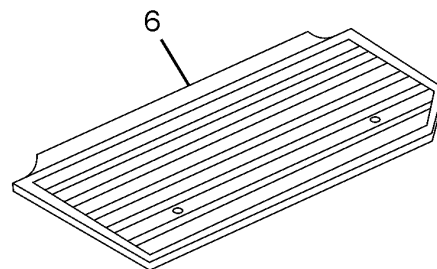
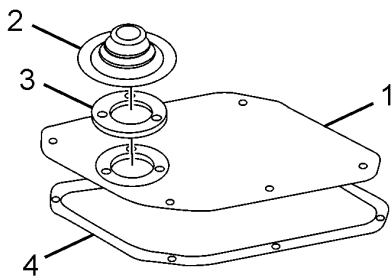
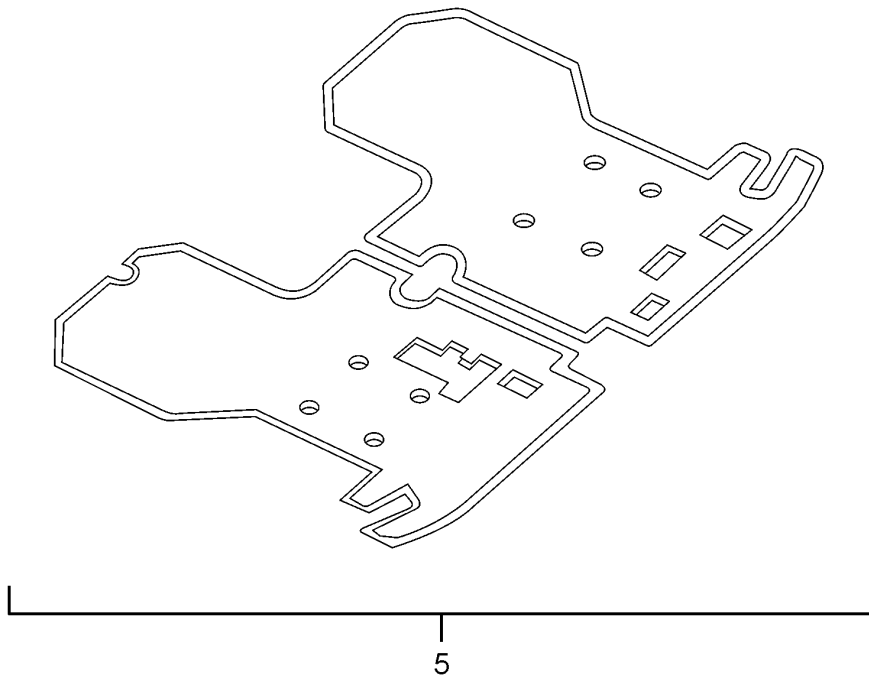
60.68.01B		DASHBOARD		GROUP 68
CHASSIS TYPE: 357171; 357172; 357174				
FIG. NO.	PART NUMBER	DESCRIPTION	QTY	REMARKS
1	265168900190	ASSY.DASH BOARD COMPLT.LHD(WITH DEFROST)	1	
—	265168916315	DASH BOARD - LHD (FOR HEATING SYSTEM).	1	
2	265168900143	ASSY. GLOVE BOX COMPLETE	1	
4	265468900135	ASSY. GLOVE BOX LOCK	1	
5	264168906317	COVER CENTRE (DIN RADIO)	1	
6	265168916314	COVER FOR RADIO CUT OUT	1	
	265168906355	SPEAKER GRILL	2	
8	264168906315	COVER CENTRE	1	
10	264168906314	`T' EMBLEM COVER (DASH BOARD)	1	
11	265168906389	GARNISH (FOR SIDE DEFROST)	2	
12	265168906388	GARNISH (FOR MIDDLE DEFROST)	1	
13	265468906341	RUBBER SPACER	1	
14	265168906344	INSTRUMENT SHROUD	1	
15	265162100149	ASSY.SUPPORT LHD(INSTRUMENT SHROUD)	1	
16	265168910114	SET NECELLE FRONT AND REAR	1	
20	265168900145	ASSY BRACKET TOP SIDE (DASH BOARD MOUNTING)	1	
21	265168900188	ASSY.BRKT TOP[D'BOARD MTG.CO-DRVR SIDE]	1	
22	265168900178	ASSY.BRACKET TOP [DASHBOARD MTG.]	2	

CHASSIS TYPE: 357173



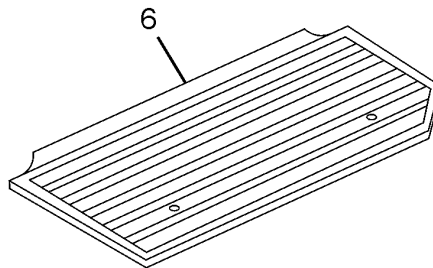
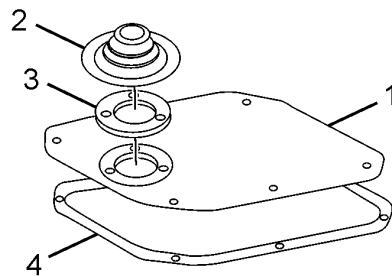
60.68.01C		DASHBOARD		GROUP 68	
CHASSIS TYPE: 357173					
FIG. NO.	PART NUMBER	DESCRIPTION	QTY	REMARKS	
1	265168900156	ASSY DASH BOARD COMPLETE LHD	1		
—	265168906357	DASH BOARD LHD	1		
2	265168900143	ASSY. GLOVE BOX COMPLETE	1		
4	265468900135	ASSY. GLOVE BOX LOCK	1		
5	264168906317	COVER CENTRE (DIN RADIO)	1		
6	265168916314	COVER FOR RADIO CUT OUT	1		
-	265168906355	SPEAKER GRILL	2		
8	264168906315	COVER CENTRE	1		
10	264168906314	`T' EMBLEM COVER (DASH BOARD)	1		
11	265168906389	GARNISH (FOR SIDE DEFROST)	2		
12	265168906388	GARNISH (FOR MIDDLE DEFROST)	1		
13	265468906341	RUBBER SPACER	1		
14	265168906344	INSTRUMENT SHROUD	1		
15	265162100149	ASSY.SUPPORT LHD(INSTRUMENT SHROUD)	1		
16	265168910114	SET NECELLE FRONT AND REAR	1		
20	265168900145	ASSY BRACKET TOP SIDE (DASH BOARD MOUNTING)	1		
21	265168900188	ASSY.BRKT TOP[D'BOARD MTG.CO-DRVR SIDE]	1		
22	265168900178	ASSY.BRACKET TOP [DASHBOARD MTG.]	2		

CHASSIS TYPE: 357171; 357172; 357175; 357174



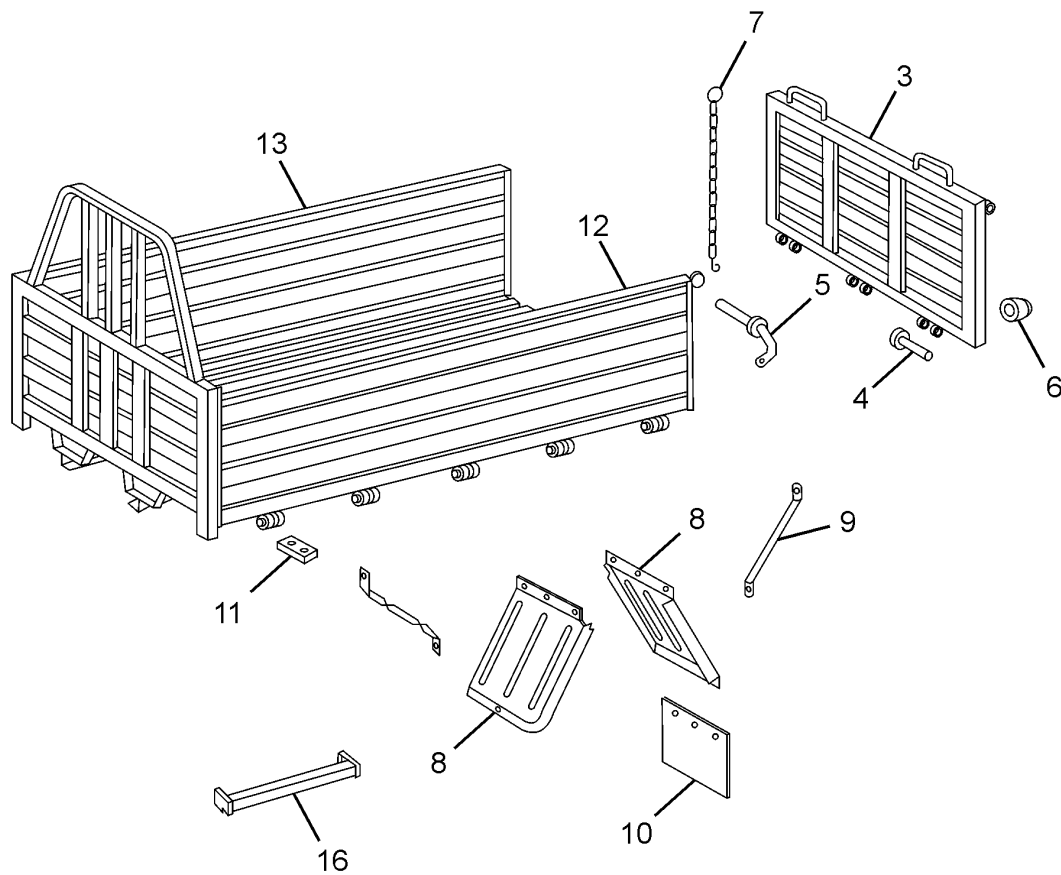
60.68.02		INSIDE LINING		GROUP 68	
CHASSIS TYPE: 357171; 357172; 357175; 357174					
FIG. NO.	PART NUMBER	DESCRIPTION	QTY	REMARKS	
1	265168300102	ASSY. COVER	1		
2	265168307703	RUBBER BELLOW	1		
3	265168308203	COVER PLATE	1		
4	265168307701	SEALING RUBBER	1		
5	265168400131	ASSY.FLOOR MAT LHD	1		
—	264068809901	CLIP (MASCOT)	4		
—	265981109903	PIN (FLOOR MAT)	4		
6	265168606310	COVER STEP BOARD LH	1		
6	265168606311	COVER STEP BOARD RH	1		
—	269881106701	SQUARE NECK SCREW	8		
—	264068806330	PADDING POST SIDE R.H.	1		
—	264068806331	PADDING POST SIDE L.H.	1		

CHASSIS TYPE: 357173



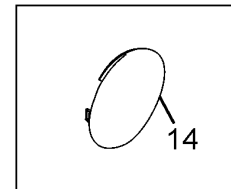
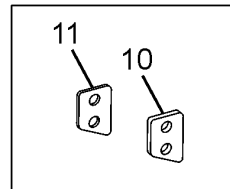
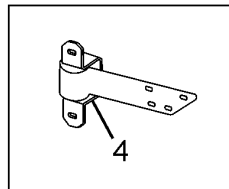
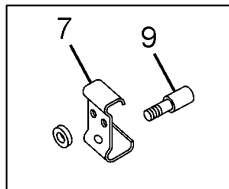
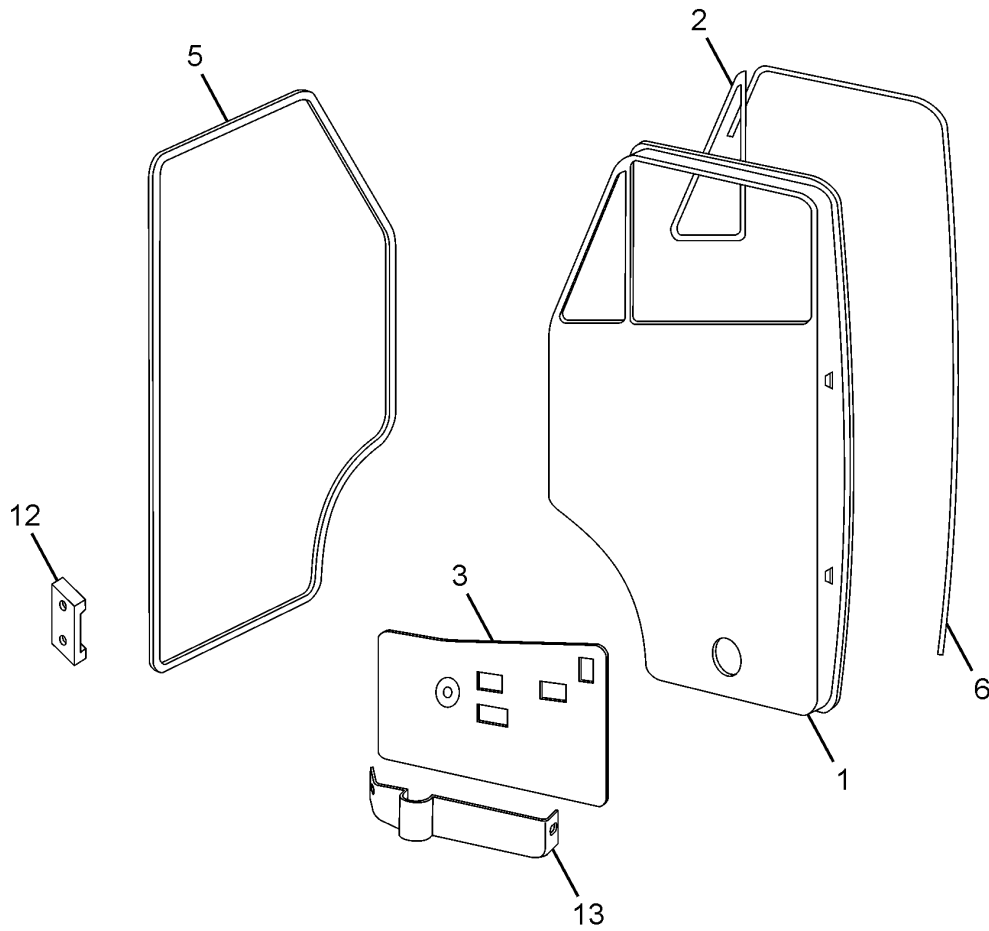
60.68.03		INSIDE LINING		GROUP 68	
CHASSIS TYPE: 357173					
FIG. NO.	PART NUMBER	DESCRIPTION	QTY	REMARKS	
1	265168300102	ASSY. COVER	1		
2	265168307703	RUBBER BELLOW	1		
3	265168308203	COVER PLATE	1		
4	265168307701	SEALING RUBBER	1		
—	264068809901	CLIP (MASCOT)	3		
6	265168606310	COVER STEP BOARD LH	1		
6	265168606311	COVER STEP BOARD RH	1		
—	269881106701	SQUARE NECK SCREW	8		

CHASSIS TYPE: 357171; 357174



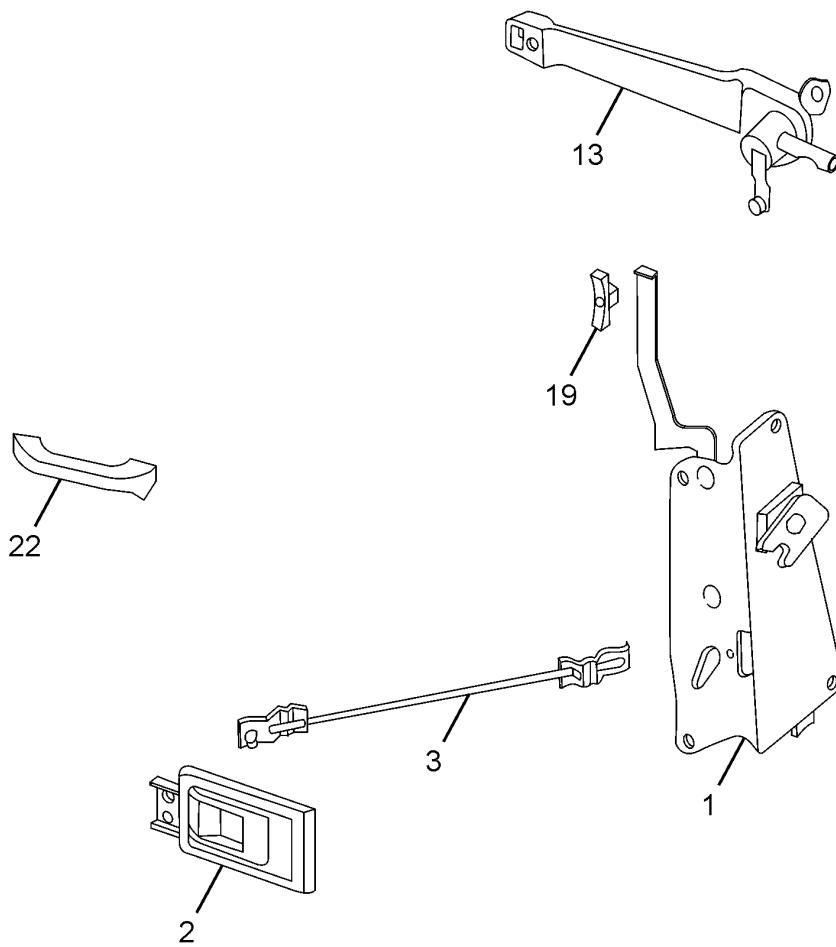
60.70.01		LOAD BODY		GROUP 70	
CHASSIS TYPE: 357171; 357174					
FIG. NO.	PART NUMBER	DESCRIPTION	QTY	REMARKS	
	265170000130	ASSY. LOAD BODY COMPLETE (WITH DROP SIDE PANELS)	1		
3	265170400105	ASSY. TAIL GATE COMPLETE	1		
4	265170906707	PIN (HINGE)	20		
5	265170905601	HANDLE LH	1		
5	265170905605	HANDLE RH	1		
6	265170900105	ASSY. STOPPER (SIDE AND REAR)	2		
7	265170400104	ASSY. CHAIN	2		
8	265170108212	MUDGUARD LH	2		
8	265170108213	MUDGUARD RH	2		
9	265170108219	MUDGUARD STAY	4		
9	265170128203	MUDGUARD STAY	2		
10	265181100107	ASSY. MUD FLAP REAR	2		
11	265170900107	ASSY. RUBBER PACKING	4		
12	265170300101	ASSY.SIDE PANEL-L.H.	1		
13	265170300102	ASSY.SIDE PANEL-R.H.	1		
—	265170906305	PACKING	6		
—	265170900117	ASSY. PACKING (FRONT SUPPORT)	2		
—	265170900118	ASSY.RUBBER PACKING	2		
—	257470813204	U-CLAMP	2		
—	257470813801	PACKING (FOR `U' CLAMP)	2		
—	209370817101	PLATE	2		
—	265170110109	ASSY.SUPPORT	2		
		SIDE UNDERRUN PROTECTION DEVICE			
16	264170100214	ASSY.SIDE GUARD WITH SUPPORT	2		
—	257381906301	BUTTON PLATFORM	4		

CHASSIS TYPE: 357171; 357172; 357175; 357174



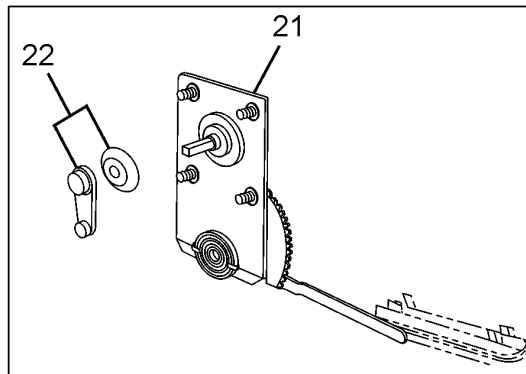
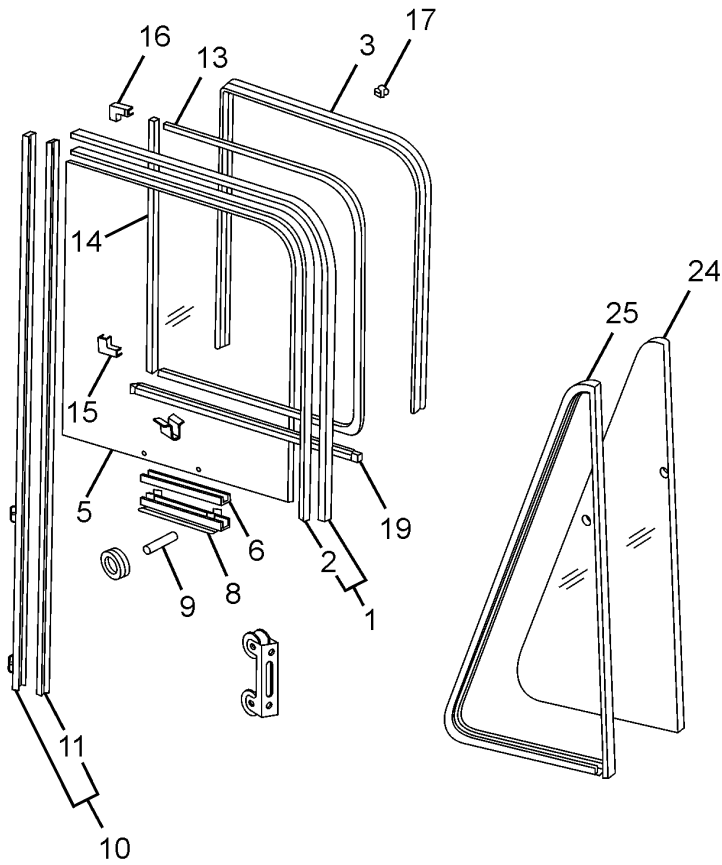
60.72.01		DOOR		GROUP 72	
CHASSIS TYPE: 357171; 357172; 357175; 357174					
FIG. NO.	PART NUMBER	DESCRIPTION	QTY	REMARKS	
1	265172200143	ASSY.DOOR SHELL LH LHD	1		
1	265172200144	ASSY.DOOR SHELL RH LHD	1		
2	265172502571	BEADING TURNING WINDOW	1		
3	265172700130	ASSY.PADDING DOOR L.H.LHD	1		
3	265172700131	ASSY.PADDING DOOR R.H.LHD	1		
4	265172300102	ASSY. HINGE LH (DOOR)	2		
4	265172300103	ASSY. HINGE RH (DOOR)	2		
5	265172310117	ASSY.DOOR SEALING INNER-LH	1		
5	265172310118	ASSY.DOOR SEALING INNER-RH	1		
6	265172307702	DOOR SEALING LH (OUTER)	1		
6	265172307703	DOOR SEALING RH (OUTER)	1		
7	257672318204	STRIKER LH	1		
7	257672318205	STRIKER RH	1		
9	257672316711	MOUNTING PIN (STRIKER)	4		
10	265172306307	DOVETAIL (DOOR SIDE)	4		
11	265172308203	PACKING (DOVE TAIL)	4		
12	265172306327	DOVE TAIL (POST SIDE)	4		
13	265472706315	MAGZINE POCKET LH	1		
13	265472706316	MAGZINE POCKET RH	1		
14	265172706308	CAP(PANEL INNER DOOR)	1		
—	265172506321	HOUSING(ASH TRAY)	1		
—	265468900189	ASSY.ASH TRAY (BLACK)	1		

CHASSIS TYPE: 357171; 357172; 357175; 357174



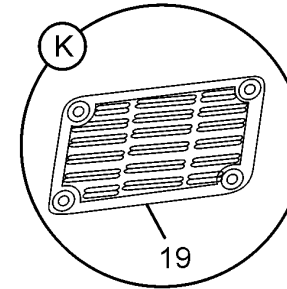
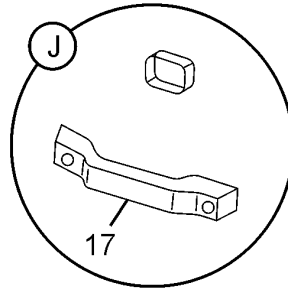
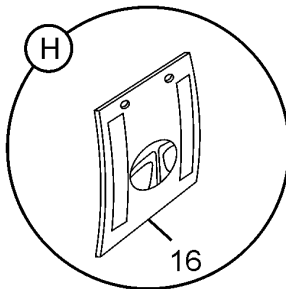
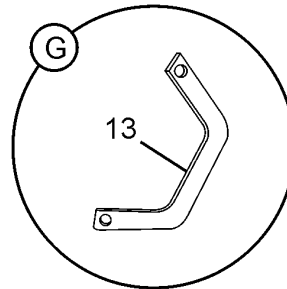
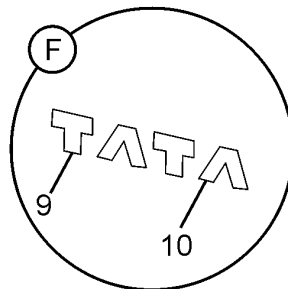
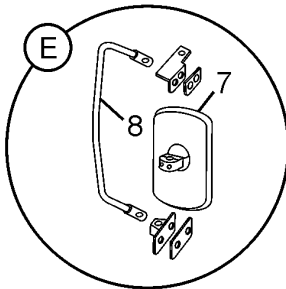
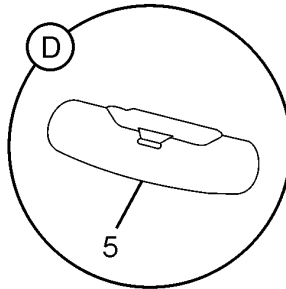
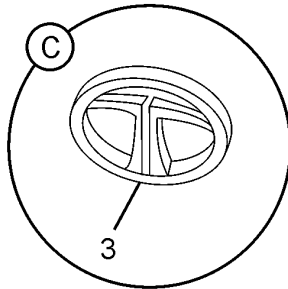
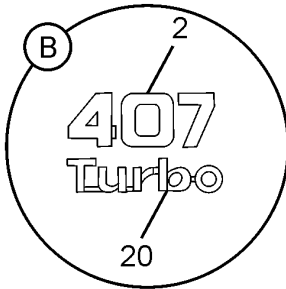
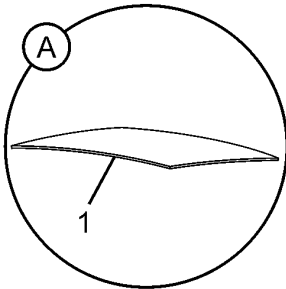
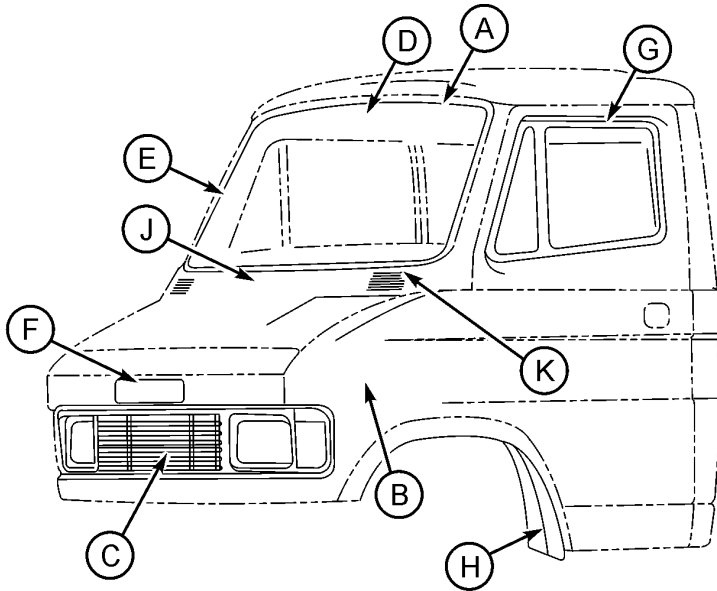
60.72.02		DOOR LOCKS AND HANDLES		GROUP 72	
CHASSIS TYPE: 357171; 357172; 357175; 357174					
FIG. NO.	PART NUMBER	DESCRIPTION	QTY	REMARKS	
1	265172300111	ASSY. DOOR LOCK COMPLETE L.H.	1		
1	265172300112	ASSY. DOOR LOCK COMPLETE R.H.	1		
2	265172300144	ASSY. HANDLE INNER DOOR LH	2		
—	265472306318	GROMMET (INNER HANDLE)	1		
3	265172300146	ASSY. PULL ROD LH	1		
3	265172300147	ASSY. PULL ROD RH	1		
13	265172300140	ASSY.DOOR HANDLE OUTER [WITH KEY] LH-LHD	1		
13	265172300105	ASSY. DOOR HANDLE OUTER WITH KEY RH	1		
19	265172305601	KNOB	2		
22	265172506316	GRAB HANDLE	2		
—	265168900185	KIT FOR LOCKS COWL	1		
		ASSY. KEY	1		
		ASSY.DOOR HANDLE OUTER[W/O KEY]	1		
		ASSY DOOR HANDLE OUTER W/LOCK	1		
		STEERING LOCK CUM IGNITION SW	1		
		ASSY.GLOVE BOX LOCK.	1		

CHASSIS TYPE: 357171; 357172; 357175; 357174



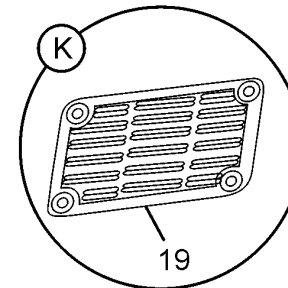
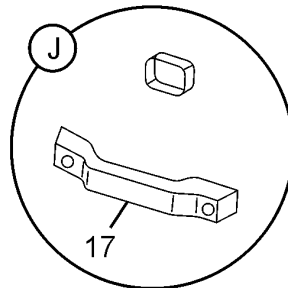
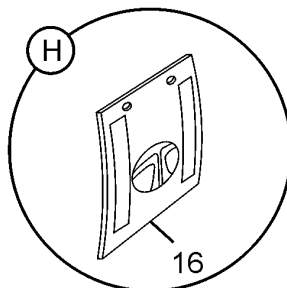
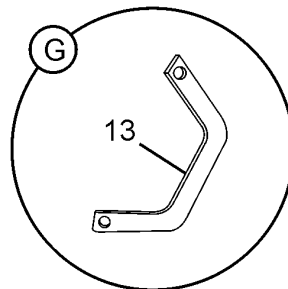
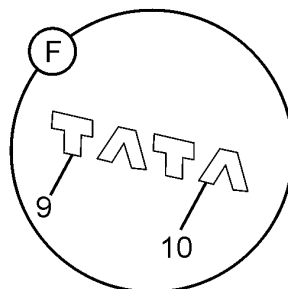
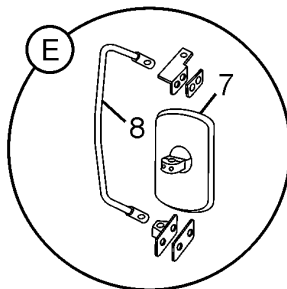
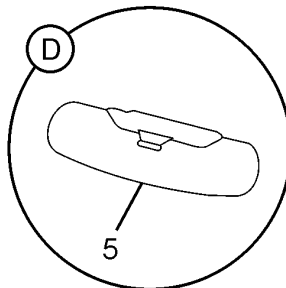
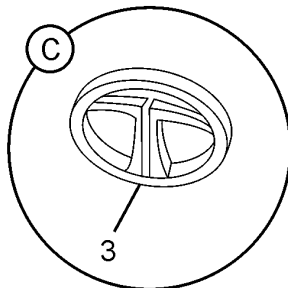
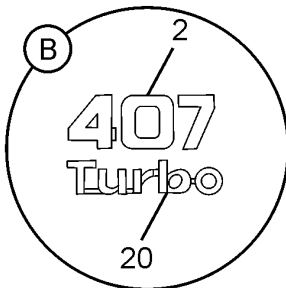
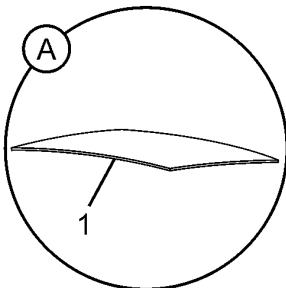
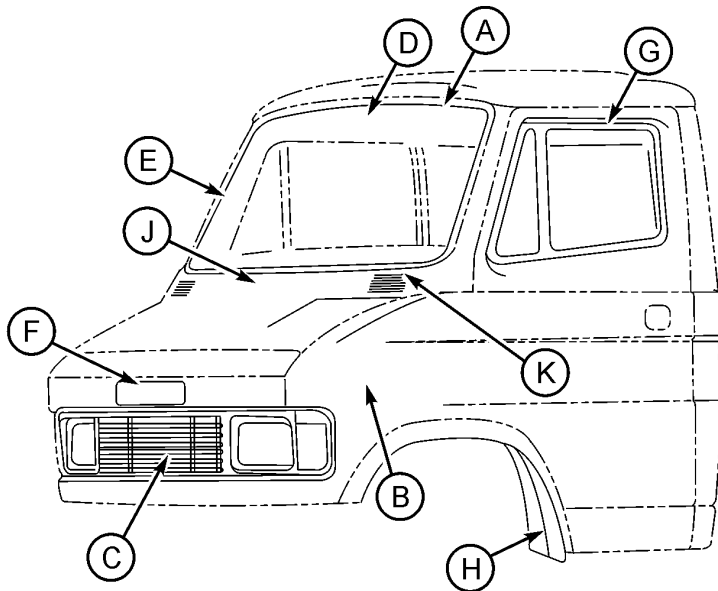
60.72.03		DOOR GLASS		GROUP 72	
CHASSIS TYPE: 357171; 357172; 357175; 357174					
FIG. NO.	PART NUMBER	DESCRIPTION	QTY	REMARKS	
1	265172500152	ASSY. GUIDE FRAME (REGULATING WINDOW)	2		
2	265172502558	VELVET CHANNEL	2		
3	265172502514	BEADING GUIDE CHANNEL	2		
5	265172502311	GLASS PANEL (DOOR)	2		
6	265472506312	BEADING (DOOR GLASS HOLDER)	1		
8	257672500143	ASSY.CHANNEL GLASS HOLDER	2		
9	257672506716	PIN (GLASS HOLDER)	4		
10	265172500150	ASSY. GUIDE FRAME LH (FRONT)	1		
10	265172500151	ASSY. GUIDE FRAME RH (FRONT)	1		
11	265172502557	VELVET CHANNEL	2		
13	265172500167	ASSY. WEATHER STRIP LH	1		
13	265172500168	ASSY. WEATHER STRIP RH	1		
14	265172508225	BEARING VERTICAL	2		
15	265172306321	BOTTOM CORNER PIECE LH	1		
15	265172306322	BOTTOM CORNER PIECE RH	1		
16	265172306320	TOP CORNER PIECE	2		
17	265172506324	CLIP (WEATHER STRIP)	16		
19	265172500164	ASSY. WEATHER STRIP INNER	2		
21	265172500130	ASSY. WINDOW REGULATOR LH	1		
21	265172500131	ASSY. WINDOW REGULATOR RH	1		
22	265172310111	ASSY. HANDLE & SPACER (WINDOW REGULATOR)	2		
—	257672506319	NYLON ROLLER	1		
—	265172504201	LOCKING PIN	1		
—	265172500154	ASSY.BRACKET(WINDOW FRAME MTG.)	1		
24	265172502307	GLASS PANE(FIXED WINDOW)	1		
25	265172506314	RUBBER MOULD LH (FIXED GLASS)	1		

CHASSIS TYPE: 357175; 357174



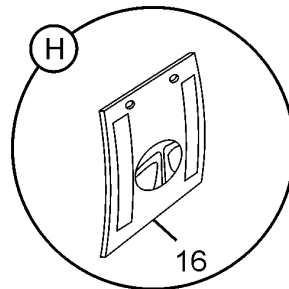
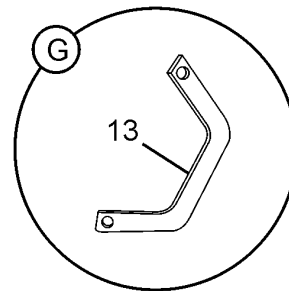
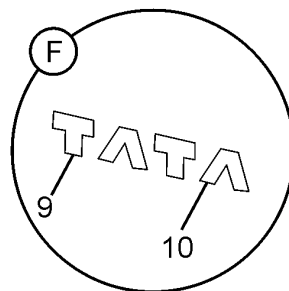
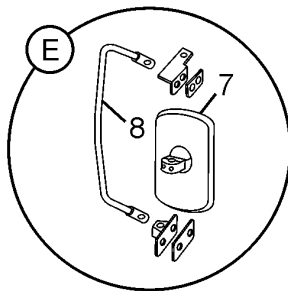
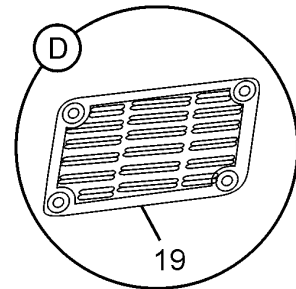
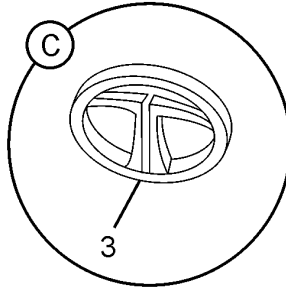
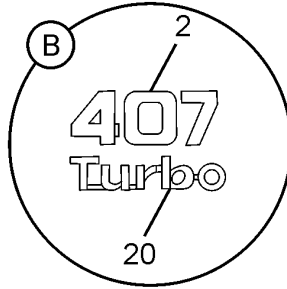
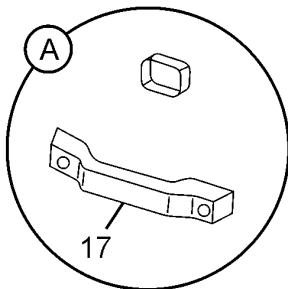
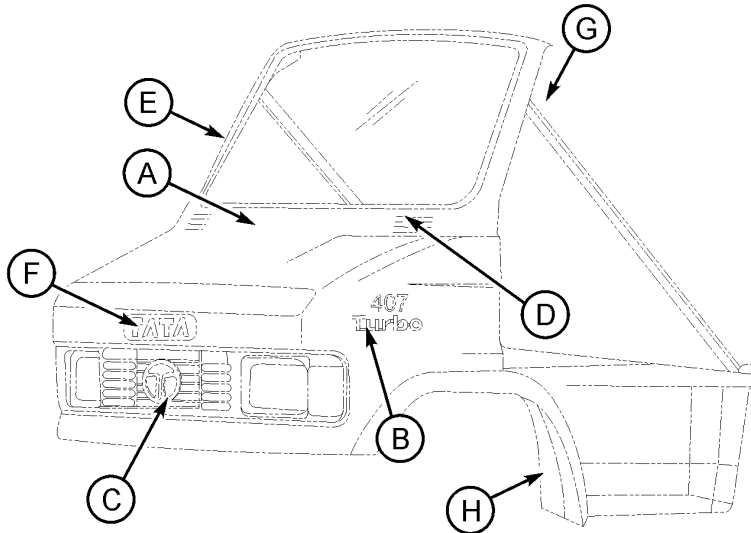
60.81.01		INTERNAL AND EXTERNAL FITMENTS		GROUP 81
CHASSIS TYPE: 357175; 357174				
FIG. NO.	PART NUMBER	DESCRIPTION	QTY	REMARKS
1	265169506334	ROOF LINING [SELF STICKING]	1	
—	265169702509	ROOF BEADING	1	
—	265169704201	CLAMP [ROOF BEADING JOINT]]	1	
2	265198800106	ASSY. 407 MASCOT	2	
3	265181000104	ASSY. T'EMBLEM.	1	
5	265181100120	ASSY. SUN - VISOR RH	1	
5	265181100118	ASSY. SUN - VISOR LH	1	
—	265181106317	CLAMP [SUN VISOR]	2	
-	265181100168	KIT ORVM LH/RH SFC-407 HD	1	
7	257681100153	ASSY. REAR VIEW MIRROR LH	1	
7	257681100152	ASSY. REAR VIEW MIRROR RH	1	
8	265181100160	ASSY TUBULAR FRAME	2	
8	265181100159	ASSY TUBULAR FRAME (RVM) RH	2	
9	265181006304	ASSY. LETTER 'T'	2	
10	265181006305	ASSY. LETTER 'A'	2	
13	265181100111	ASSY. GRAB HANDLE	2	
16	265481100129	ASSY. MUDFLAP REAR	2	
17	267481106307	GRAB HANDLE	2	
-	257681506302	RUBBER PAD (GRAB HANDLE)	4	
19	269881106318	GRILL OUTER LH	1	
19	269881106319	GRILL OUTER RH	1	
20	265981800105	TURBO MASCOT	1	
-	274781100107	ASSY.GRAB HANDLE	2	

CHASSIS TYPE: 357171; 357172



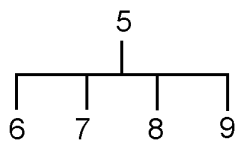
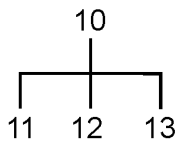
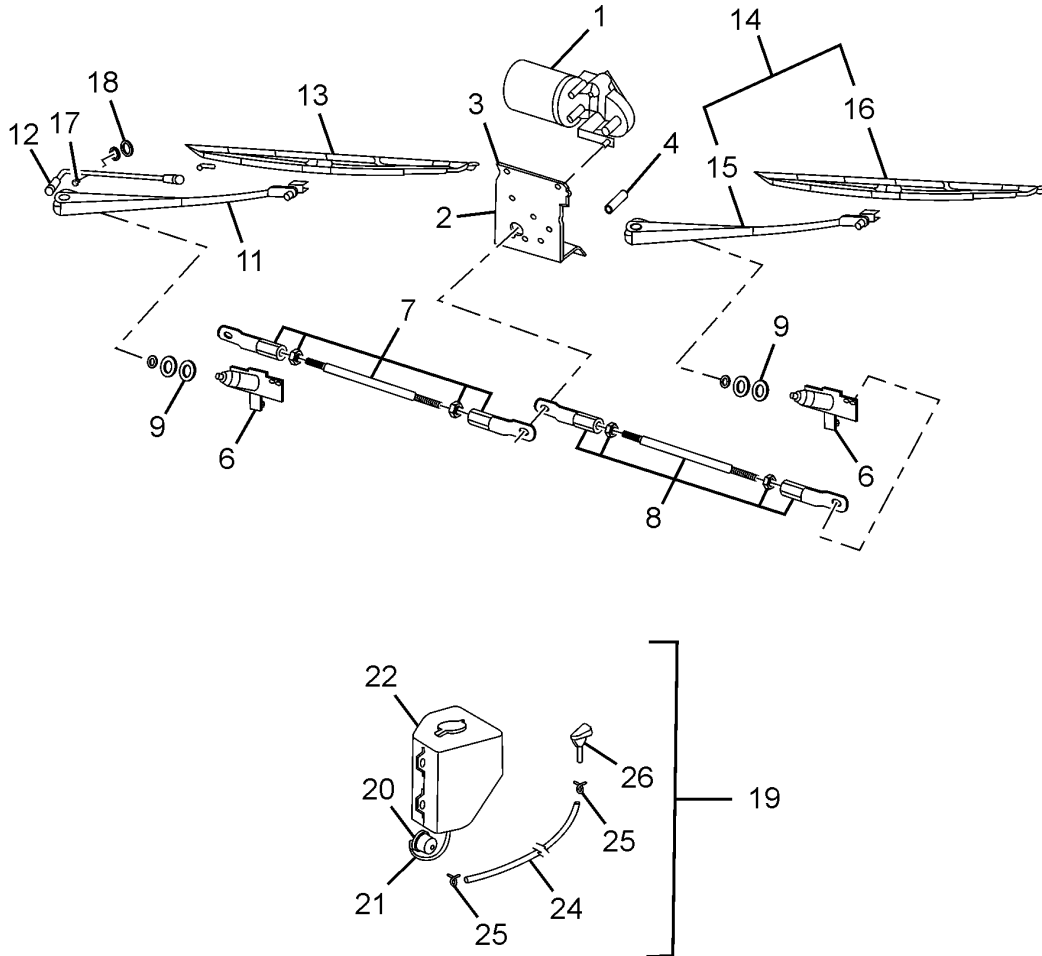
60.81.02		INTERNAL AND EXTERNAL FITMENTS		GROUP 81	
CHASSIS TYPE: 357171; 357172					
FIG. NO.	PART NUMBER	DESCRIPTION	QTY	REMARKS	
1	265169506334	ROOF LINING (SELF STICKING)	1		
—	265169702509	ROOF BEADING	1		
—	265169704201	CLAMP (ROOF BEADING JOINT)	1		
2	265198800106	ASSY. 407 MASCOT	2		
3	265181000104	ASSY. `T` EMBLEM.	1		
5	265181100120	ASSY. SUN - VISOR RH	1		
5	265181100118	ASSY. SUN - VISOR LH	1		
—	265181106317	CLAMP [SUN VISOR]	2		
-	265181100168	KIT ORVM LH/RH SFC-407 HD	1		
7	257681100153	ASSY. REAR VIEW MIRROR LH	1		
7	257681100152	ASSY. REAR VIEW MIRROR RH	1		
8	265181100160	ASSY TUBULAR FRAME	2		
9	265181006304	LETTER `T`	2		
10	265181006305	LETTER `A`	2		
13	265181100111	ASSY. GRAB HANDLE	2		
16	265481100129	ASSY. MUDFLAP	2		
17	267481106307	GRAB HANDLE	2		
-	257681506302	RUBBER PAD (GRAB HANDLE)	4		
19	269881106318	GRILL OUTER LH	1		
19	269881106319	GRILL OUTER RH	1		
20	265981800105	TURBO MASCOT	1		
—	274781100107	ASSY.GRAB HANDLE	2		

CHASSIS TYPE: 357173



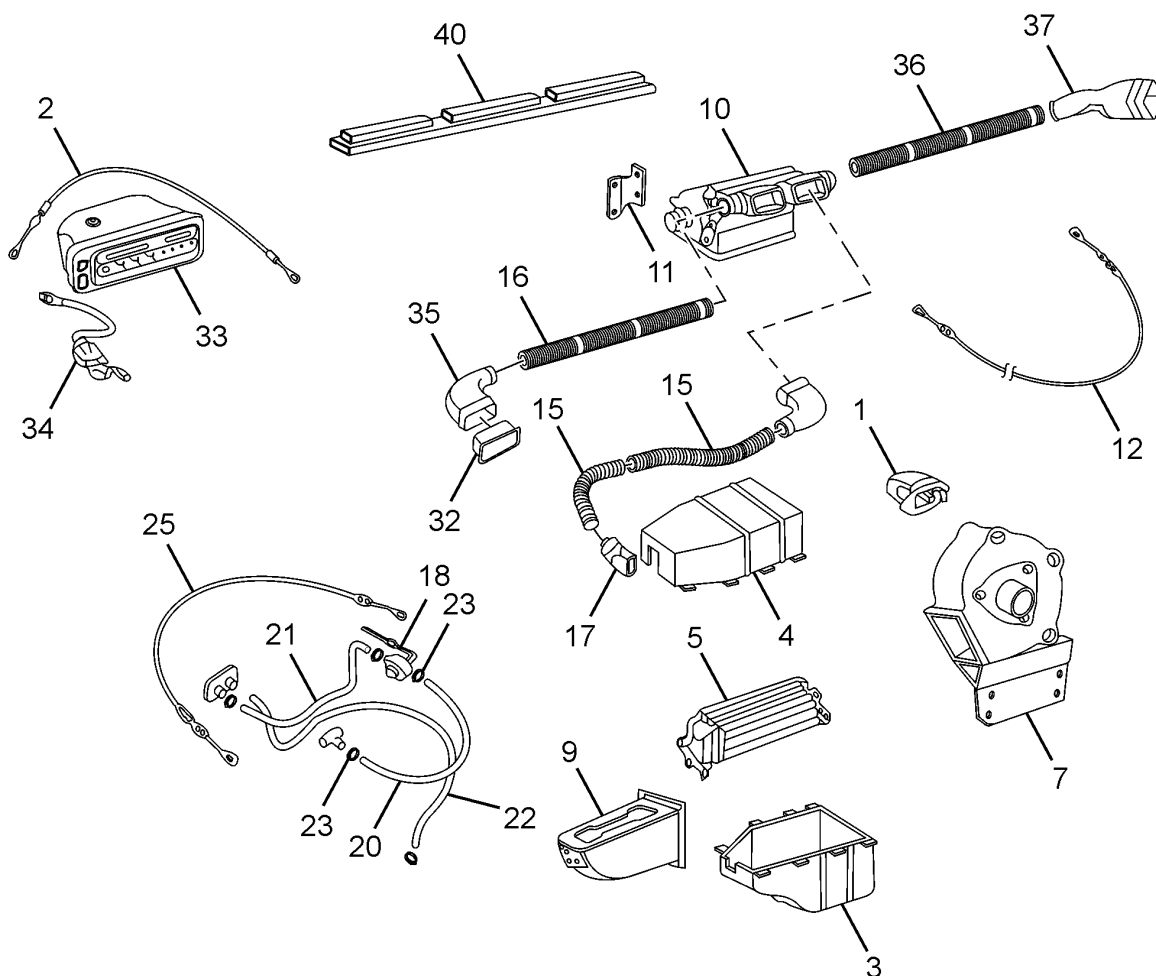
60.81.03		INTERNAL AND EXTERNAL FITMENTS		GROUP 81
CHASSIS TYPE: 357173				
FIG. NO.	PART NUMBER	DESCRIPTION	QTY	REMARKS
2	265198800106	ASSY. 407 MASCOT	2	
3	265181000104	ASSY. `T` EMBLEM.	1	
-	265181100168	KIT ORVM LH/RH SFC-407 HD	1	
7	257681100153	ASSY. REAR VIEW MIRROR LH	1	
7	257681100152	ASSY. REAR VIEW MIRROR RH	1	
8	265181100160	ASSY TUBULAR FRAME	2	
9	265181006304	LETTER `T`	2	
10	265181006305	LETTER `A`	2	
13	265181100111	ASSY. GRAB HANDLE	2	
16	265481100129	ASSY. MUDFLAP	2	
17	267481106307	GRAB HANDLE	2	
-	257681506302	RUBBER PAD (GRAB HANDLE)	4	
19	269881106318	GRILL OUTER LH	1	
19	269881106319	GRILL OUTER RH	1	
20	265981800105	TURBO MASCOT	1	
—	274781100107	ASSY. GRAB HANDLE	2	

CHASSIS TYPE: ALL



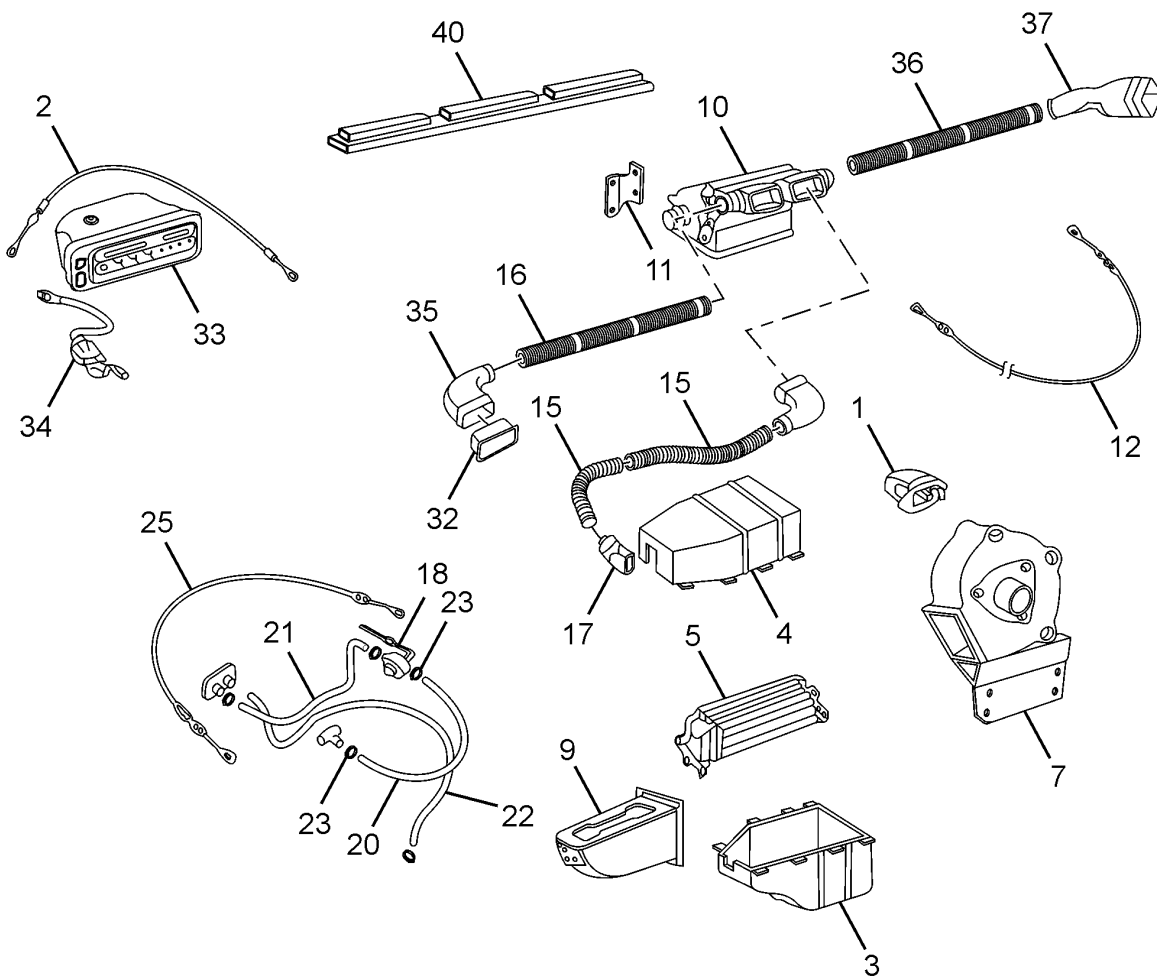
60.82.01		WINDSHIELD WIPING AND WASHING SYSTEM		GROUP 82
CHASSIS TYPE: ALL				
FIG. NO.	PART NUMBER	DESCRIPTION	QTY	REMARKS
		WINDSHIELD WIPING SYSTEM		
1	265182409946	WIPER MOTOR 17 W LHD - OFFER	1	OPTIONAL
1	265182409943	WIPER MOTOR (W/MSSL TER & HSG)LHD-LUCAS	1	OPTIONAL
1	265182409944	WIPER MOTOR(W/MSSL TER & HSG)LHD (PRABA)	1	OPTIONAL
2	265182408211	BRACKET (WIPER MOTOR MOUNTING)	1	
3	0009971881J	RUBBER GROMMET	4	
4	0429920020J	SLEEVE	4	
5	265182400138	ACCESSORIES KIT FOR WIPER MOTOR CONSISTING OF :	1	
6		WHEEL BOX	2	
7		ASSY. LINK (338 LONG)	1	
8		ASSY. LINK (262 LONG)	1	
9		SPACER	2	
10	265182400136	ASSY WIPER ARM,SUPPORT ARM & BLADE	1	
11	265182400123	ASSY. WIPER ARM	1	
12	265182400124	ASSY SUPPORT ARM	1	
13	265182400126	ASSY. WIPER BLADE	1	
14	265182400137	ASSY WIPER ARM & BLADE	1	
15	265182400129	ASSY WIPER ARM LHD	1	
16	265182400127	ASSY. WIPER BLADE	1	
17	265182409952	BALL PIN	1	
18	265182407501	RUBBER WASHER	1	
		WINDSHIELD WASHING SYSTEM		
19	265182400169	ASSY. WINDSHIELD WASHER	1	
20		PUMP ASSY.	1	
21		TUBE (TANK TO PUMP INLET)	1	
22		TANK UNIT 2.5 LTR.	1	
24		TUBE (PUMP TO NOZZLE)	1	
25		OMEGA CLIP	4	
26		NOZZLE UNIT (TWIN JET)	1	
—		NOZZLE ADAPTOR	1	

CHASSIS TYPE: 357175



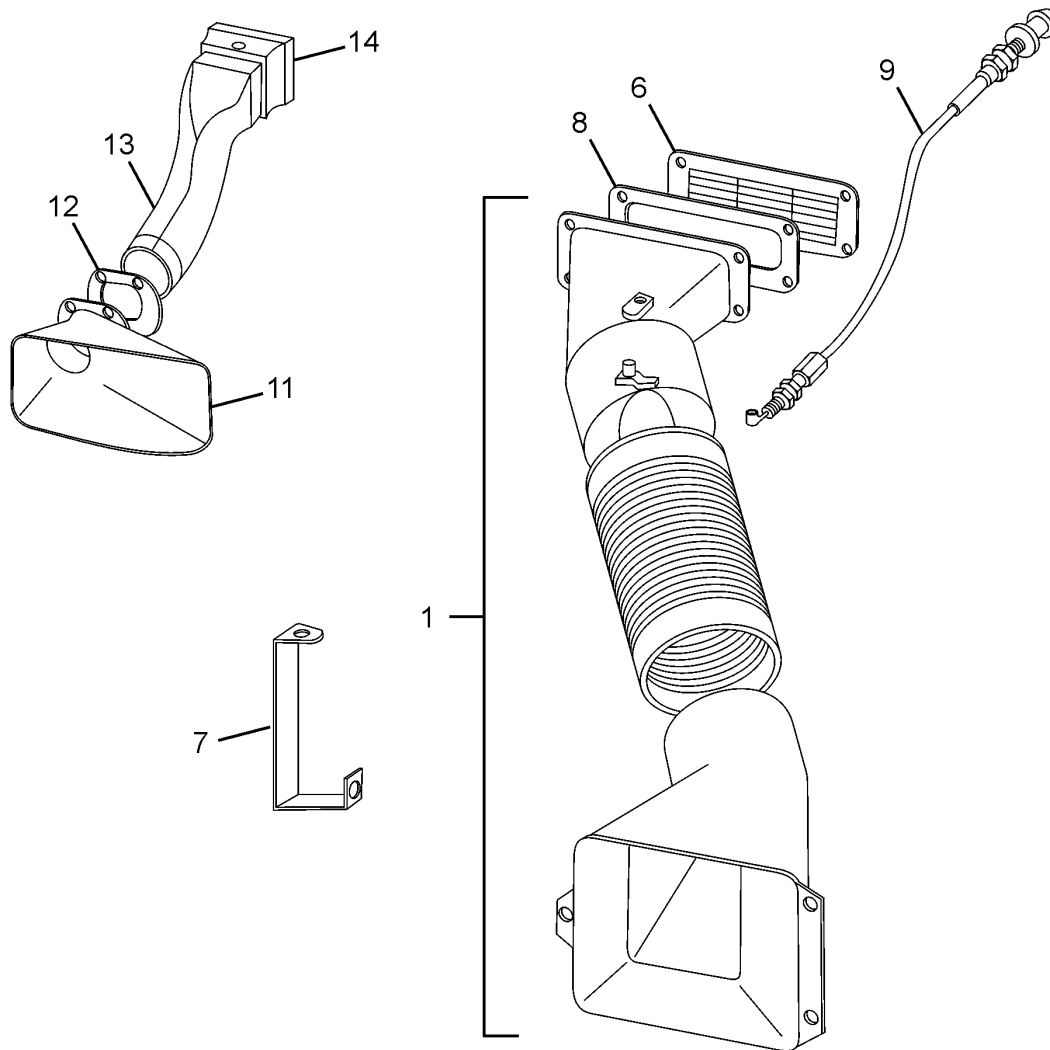
60.83.01		CAB HEATING		GROUP 83	
CHASSIS TYPE: 357175					
FIG. NO.	PART NUMBER	DESCRIPTION	QTY	REMARKS	
1	265183100121	ASSY.FRESH AIR VALVE COMPLETE - LHD	1		
2	265183300117	ASSY.PUSH-PULL CABLE- GREEN	1		
—	257354208205	CLIP	1		
—	265483106319	RETAINER [VENTILLTION CABLE]	1		
3	265183100150	ASSY.COIL HOUSING LOWER - LHD	1		
4	265183100131	ASSY.COIL HOUSING UPPER - LHD	1		
5	265183400156	ASSY. HEATER COIL	1		
—	265183106316	ADAPTOR COIL HOUSING	1		
-	265183106317	GASKET (ADAPTOR TO COIL HOUSING)	1		
7	265183100161	ASSY.BLOWER (SUBROS)-LHD.	1		
—	264183100132	ASSY.BRACKET COMPL.LHD (BLOWER MTG.)	1		
—	264183100124	ASSY.BRKT.[COIL HOUSING MTG.]	1		
9	265183100123	ASSY.AIR DUCT	1		
—	265183100148	ASSY.BRKT.[FOR DUCT MTG.]	1		
10	265183100153	ASSY.PLENUM CHAMBER COMPLETE - LHD	1		
11	265183100128	ASSY.BRACKET (PLENUM MTG.) RH	1		
11	265183100129	ASSY.BRACKET (PLENUM MTG.) LH	1		
-	265183108214	COVER (AT PLENUM MTG.)	1		
12	265983300159	ASSY.PUSH PULL CABLE -BLACK	1		
15	265483106362	HOSE (LEG ROOM CONNECTOR)	1		
15	267483106304	HOSE LH (LEG ROOM VENTILATION)	1		
16	265483106322	HOSE (VENTILATION)	2		
17	265483106350	DIFFUSER(LEG ROOM VENTILATION)	2		
—	265483500109	ASSY.LEVER (WATER VALVE)	1		
18	265483500108	ASSY.WATER VALVE	1		
—	265183500119	ASSY.BRKT.-LHD [WATER VALVE MTG.]	1		
20	265483505811	RUBBER HOSE [17 ID X L 450]	1		
21	265483505803	RUBBER HOSE [17 ID X L 1200].	1		
22	265483505802	RUBBER HOSE [17 ID X L 800]).	1		
23	265483300177	HOSE CLAMP-25	6		
—	265483106385	GROMMET (FOR HEATER HOSES).	1		
25	265183300122	ASSY.PUSH PULL CABLE 'Z'TYPE.	1		
32	265168900152	ASSY. VENTILATION NOZZLE	2		
33	265168900195	ASSY.CONTROL BRACKET - HEATER	1		
34	265454700159	BLOWER SWITCH	1		
—	264754620136	W/H BACK LIGHTING (12V)	1		

CHASSIS TYPE: 357175



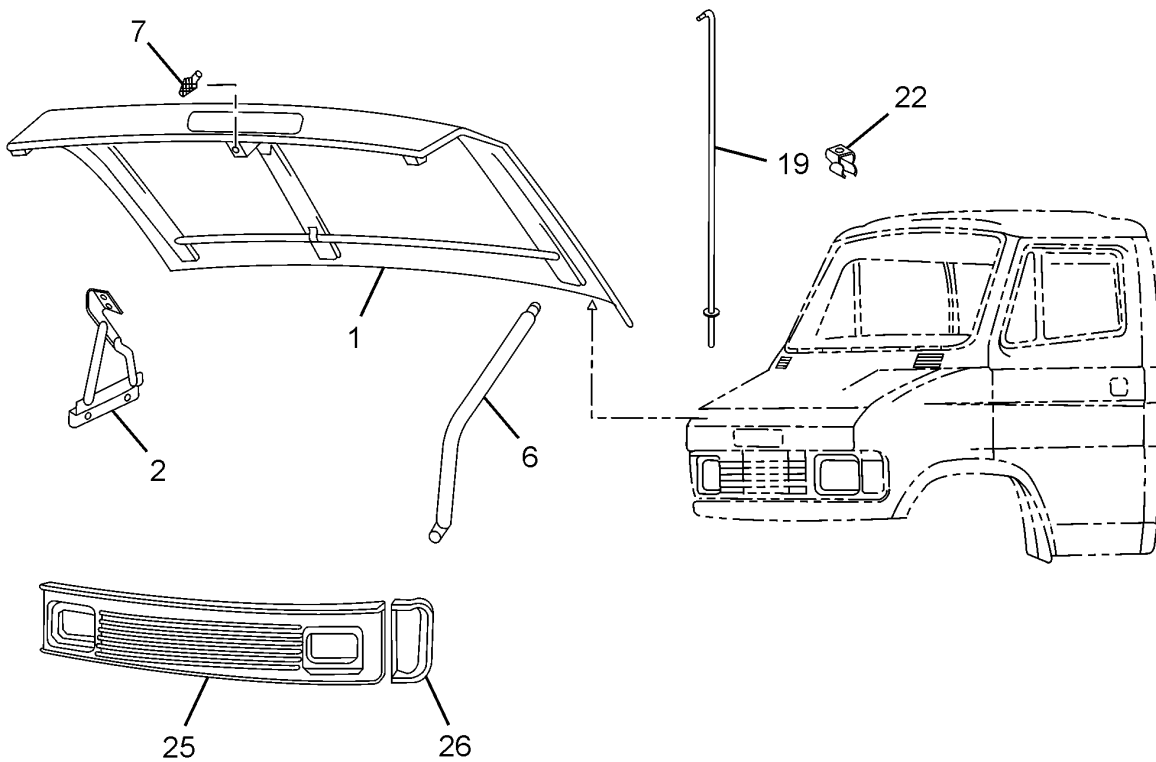
60.83.01		CAB HEATING		GROUP 83	
CHASSIS TYPE: 357175					
FIG. NO.	PART NUMBER	DESCRIPTION	QTY	REMARKS	
—	265183300121	ASSY.CONTROL COVER	1		
—	265983306338	CONTROL KNOB	4		
35	265183106336	ELBOW DUCT (FOR VENT NOZZLE)	2		
36	265483106334	HOSE [VENTILATION].	2		
37	265168906363	ELBOW DUCT (FOR FRESH AIR)	1		
40	265183100166	ASSY. DEFROST DUCT COMPLETE	1		

CHASSIS TYPE: 357171; 357172; 357173; 357174



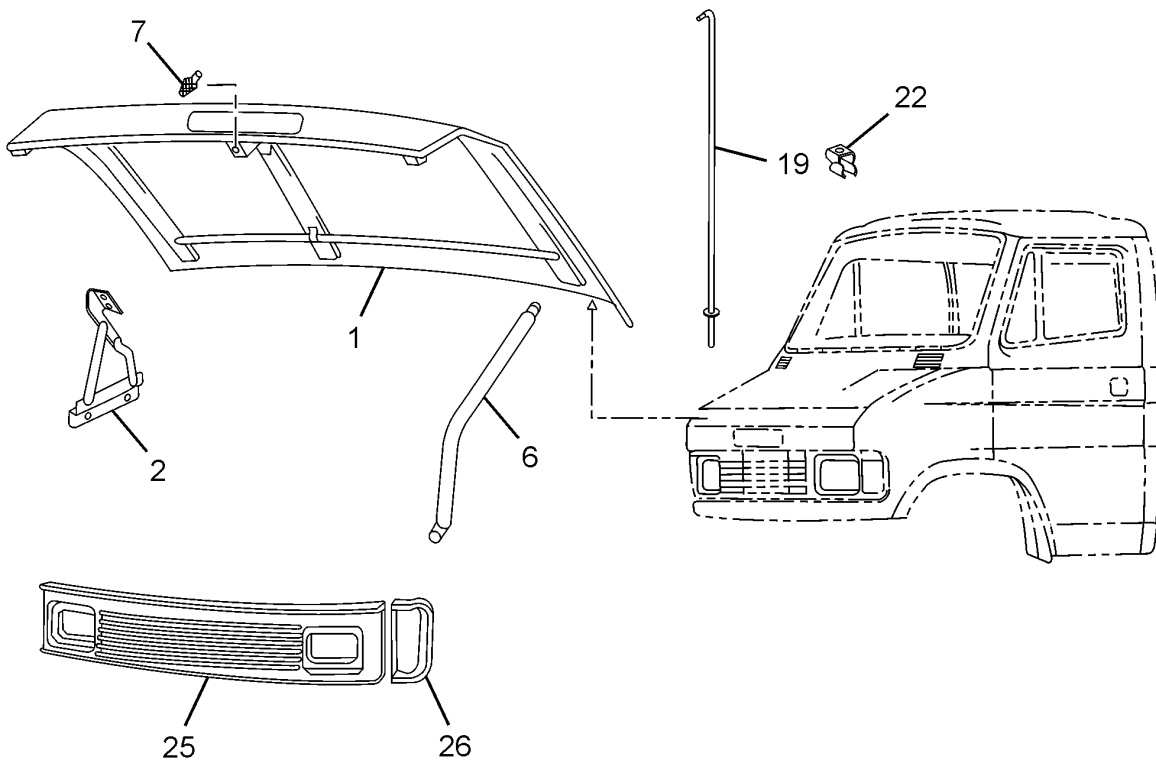
60.83.02		CAB VENTILATION		GROUP 83
CHASSIS TYPE: 357171; 357172; 357173; 357174				
FIG. NO.	PART NUMBER	DESCRIPTION	QTY	REMARKS
1	265183100132	ASSY.VENTILATION DUCT L.H.	1	
1	265183100133	ASSY.VENTILATION DUCT R.H.	1	
6	265183800104	ASSY GRILL VENTILATION	2	
7	265183100105	ASSY. BRACKET	1	
8	265183107701	SEALING (REAR DUCT VENTILATION)	2	
9	265183300134	ASSY.CABLE(VENTILATION)	2	
11	265183106306	VENTILATION DUCT LH (DASH PANEL)	1	
11	265183106307	VENTILATION DUCT RH (DASH PANEL)	1	
12	265183107702	SEALING (VENTILATION DUCT DASH PANEL)	2	
13	265168906354	ELBOW DUCT (FRESH AIR) LH	1	
13	265168906363	ELBOW DUCT (FRESH AIR) RH	1	
14	269881106318	GRILL OUTER LH [VENTILATION]	1	
14	269881106319	GRILL OUTER RH [VENTILATION]	1	
-	265168900152	ASSY VENTILATION NOZZLE	2	
-	269881900101	ASSY CLIP(MSSL)BLACK 17DIA	8	

CHASSIS TYPE: 357175; 357174



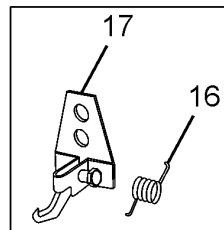
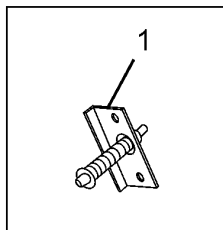
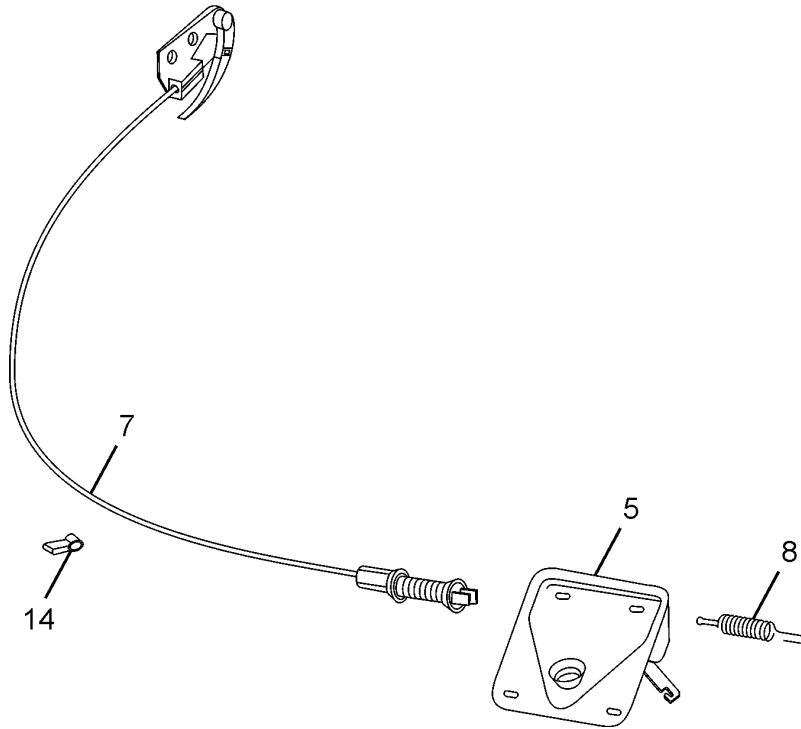
60.88.01A		CENTRE BONNET		GROUP 88
CHASSIS TYPE: 357175; 357174				
FIG. NO.	PART NUMBER	DESCRIPTION	QTY	REMARKS
1	265188700193	ASSY. BONNET CENTRE FRONT	1	
2	265188700108	ASSY. HINGE LINKAGE RH (BONNET)	1	
2	265188700109	ASSY. HINGE LINKAGE LH (BONNET)	1	
6	265188700176	ASSY. STAY TUBE LH	1	
6	265188700177	ASSY. STAY TUBE RH	1	
7	265188700113	ASSY. RUBBER BUFFER	2	
19	265188700126	ASSY. STAY ROD	1	
	12460501057	BRIGHT WASHER 10.5 ST.	1	
	13150608206	SPLIT PIN 3.2X20	1	
22	9840461	SPRING CLAMP	1	
—	265188700161	ASSY. SPRING CLAMP (RUBBER BUFFER)	4	
	11405604100	CR PAN HEAD SCREW M4X10	2	
	12520698033	SPRING WASHER B 4	2	
25	265188800102	ASSY PLASTIC GRILL BONNET CENTRAL	1	
26	265188800114	ASSY. PLASTIC GRILL LH SIDE BONNET	1	
26	265188800115	ASSY. PLASTIC GRILL RH SIDE BONNET	1	
—	267481107701	INSULATION BONNET CENTRE	1	

CHASSIS TYPE: 357171; 357172; 357173



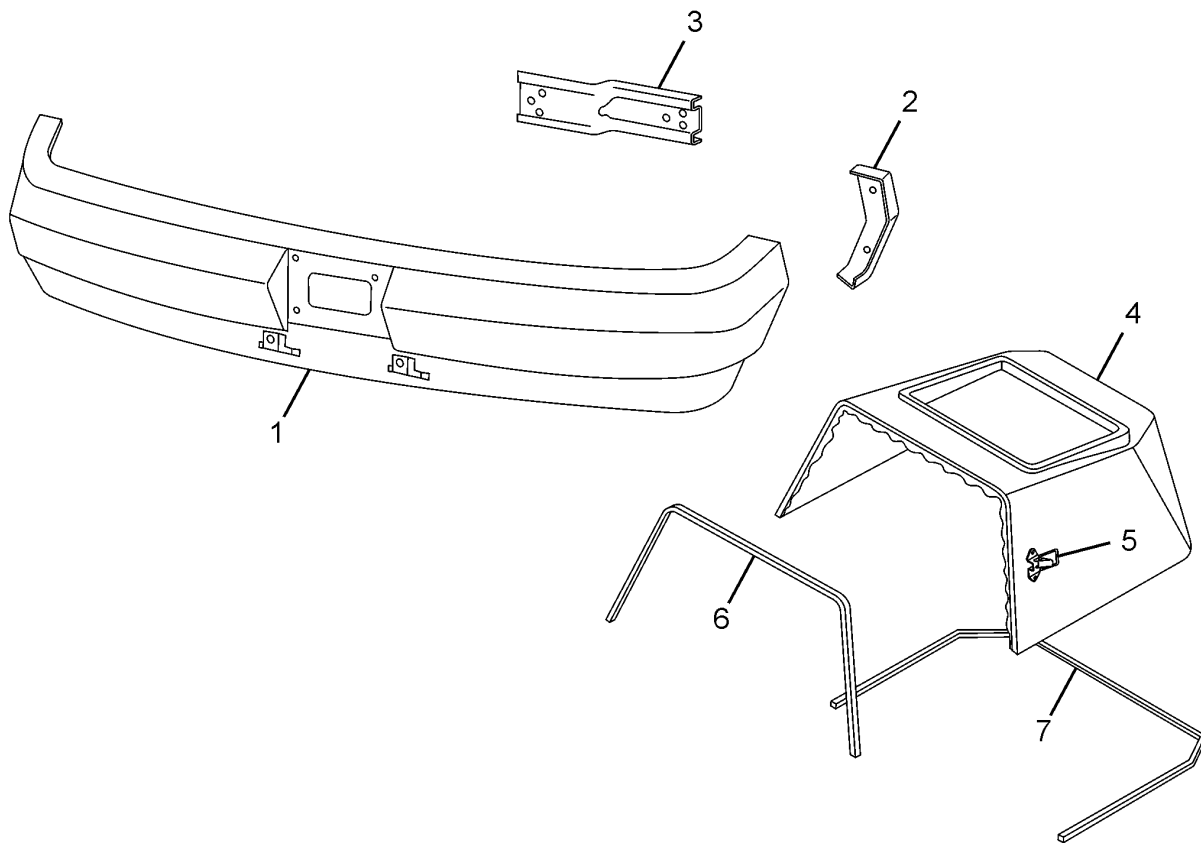
60.88.01B		CENTRE BONNET		GROUP 88
CHASSIS TYPE: 357171; 357172; 357173				
FIG. NO.	PART NUMBER	DESCRIPTION	QTY	REMARKS
1	265188700193	ASSY. BONNET CENTRE FRONT	1	
2	265188700108	ASSY. HINGE LINKAGE RH (BONNET)	1	
2	265188700109	ASSY. HINGE LINKAGE LH (BONNET)	1	
6	265188700176	ASSY. STAY TUBE LH	1	
6	265188700177	ASSY. STAY TUBE RH	1	
7	265488706310	RUBBER BUFFER	2	
19	265188700126	ASSY. STAY ROD	1	
22	0009840461	SPRING CLAMP	1	
25	265188800102	ASSY PLASTIC GRILL BONNET CENTRAL	1	
—	265188706303	END CAP [STAY ROD]	1	
—	265188700161	ASSY. SPRING CLAMP (RUBBER BUFFER)	4	
26	265188800114	ASSY. PLASTIC GRILL LH SIDE BONNET	1	
26	265188800115	ASSY. PLASTIC GRILL RH SIDE BONNET	1	
—	267481107701	INSULATION BONNET CENTRE	1	

CHASSIS TYPE: ALL



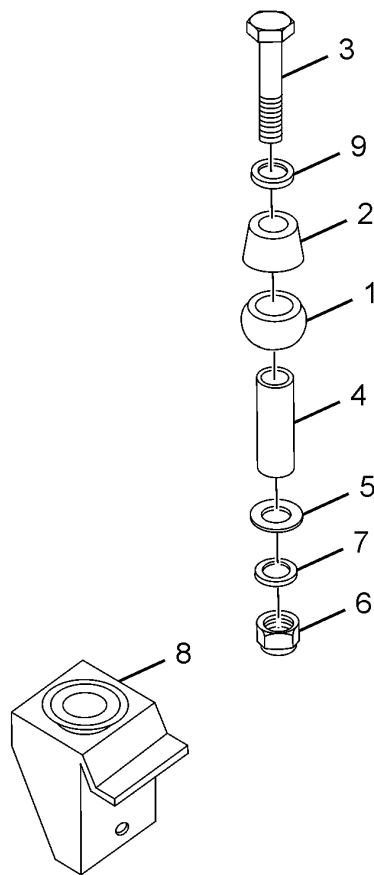
60.88.02		CENTRE BONNET LOCK		GROUP 88	
CHASSIS TYPE: ALL					
FIG. NO.	PART NUMBER	DESCRIPTION	QTY	REMARKS	
1	265188700147	ASSY. BONNET LOCK (CENTRE BONNET SIDE) UPPER	1		
5	265188700144	ASSY. BONNET LOCK (COWL SIDE) LOWER	1		
7	265188700170	ASSY. BONNET RELEASE CABLE LHD	1		
8	265188708704	TENSION SPRING (RETURN) BONNET LOCK	1		
14	265188704202	SPRING CLAMP	2		
16	265188708707	TORSION SPRING (2ND LOCK)	1		
17	265188700183	ASSY. BONNET LOCK (SECOND)	1		

CHASSIS TYPE: ALL



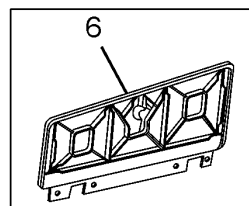
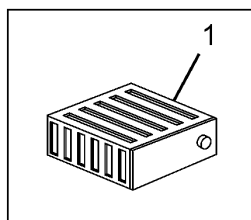
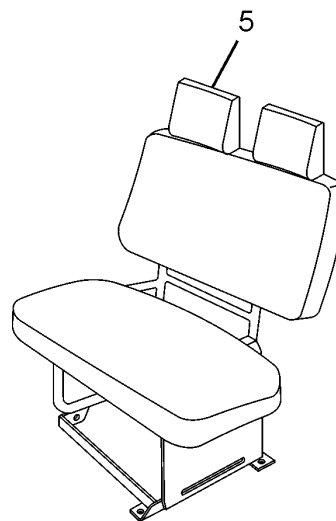
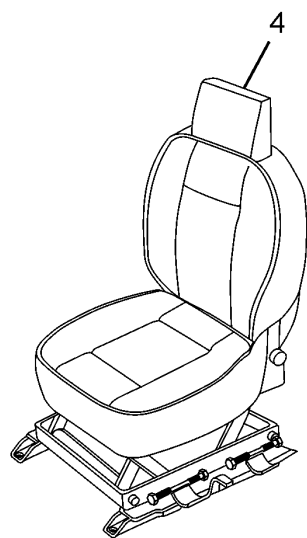
60.88.03		BUMPER AND ENGINE HOOD		GROUP 88	
CHASSIS TYPE: ALL					
FIG. NO.	PART NUMBER	DESCRIPTION	QTY	REMARKS	
		BUMPER			
1	265188500111	ASSY.BUMPER COMPLETE LHD	1		
2	265188508202	SUPPORT BUMPER MOUNTING	2		
3	265188506306	END CAP BUMPER LH	1		
3	265188506307	END CAP BUMPER RH	1		
		ENGINE HOOD			
4	267488700122	ASSY.ENGINE HOOD WITH H/D FOR LHD	1		
5	267488700121	ASSY.TOGGLE CLAMP(ENGINE HOOD)	3		
6	267488707704	SEALING ENGINE HOOD (FIREWALL SIDE)	1		
7	267488707703	SEALING ENGINE HOOD (FLOOR SIDE)	1		

CHASSIS TYPE: ALL



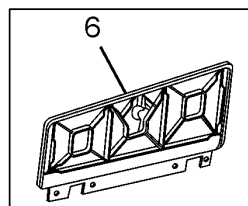
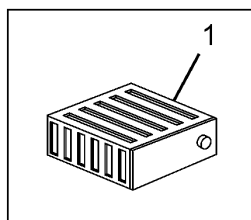
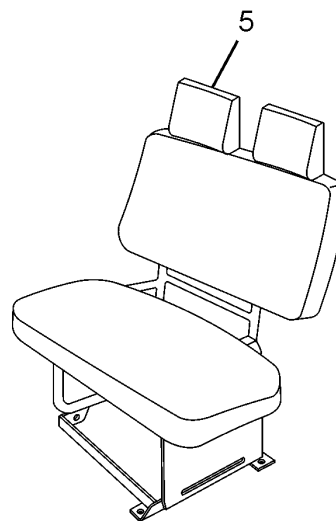
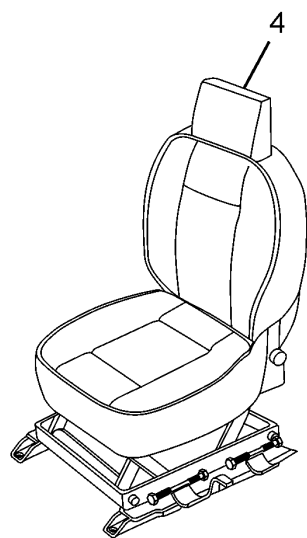
60.89.01		CAB MOUNTING (FRONT AND REAR)		GROUP 89
CHASSIS TYPE: ALL				
FIG. NO.	PART NUMBER	DESCRIPTION	QTY	REMARKS
		CAB MOUNTING (FRONT)		
1	265189106303	RUBBER MOUNTING (BOTTOM)	2	
2	265189106301	RUBBER MOUNTING (TOP)	2	
3	NSP	HEX. BOLT M 10X95	2	NON SERVICEABLE PART
4	257629508602	SPACER	2	
5	265189108216	PLATE (RUBBER MOUNTING)	2	
6	NSP	NYLOC NUT M 10	1	NON SERVICEABLE PART
7	NSP	SPRING WASHER B 10	2	NON SERVICEABLE PART
		CAB MOUNTING (REAR)		
1	265189106303	RUBBER MOUNTING (BOTTOM)	2	
2	265189106301	RUBBER MOUNTING (TOP)	2	
3	NSP	HEX. BOLT M 10X95	2	NON SERVICEABLE PART
4	265489106904	SPACER TUBE	2	
4	257629508602	SPACER	2	
6	NSP	NYLOC NUT M 10	1	NON SERVICEABLE PART
7	NSP	SPRING WASHER B 10	2	NON SERVICEABLE PART
8	265189100106	ASSY. MOUNTING BRACKET (REAR)	2	
9	265189108216	PLATE (RUBBER MOUNTING)	2	

CHASSIS TYPE: 357175; 357174



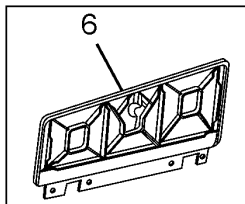
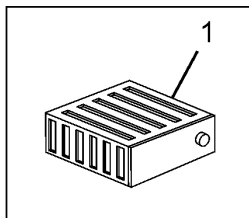
60.91.01A		DRIVER AND CO-DRIVER SEAT		GROUP 91
CHASSIS TYPE: 357175; 357174				
FIG. NO.	PART NUMBER	DESCRIPTION	QTY	REMARKS
1	265166400136	ASSY.SEAT BOX LHD [DRIVER'S SEAT]	1	
4	265191000122	DRIVER SEAT ASSY.LHD	1	
5	265194000123	ASSY.CO-DRIVER SEAT LHD	1	
6	265166400140	ASSY.LID(SEAT BOX)LHD	1	

CHASSIS TYPE: 357171; 357172



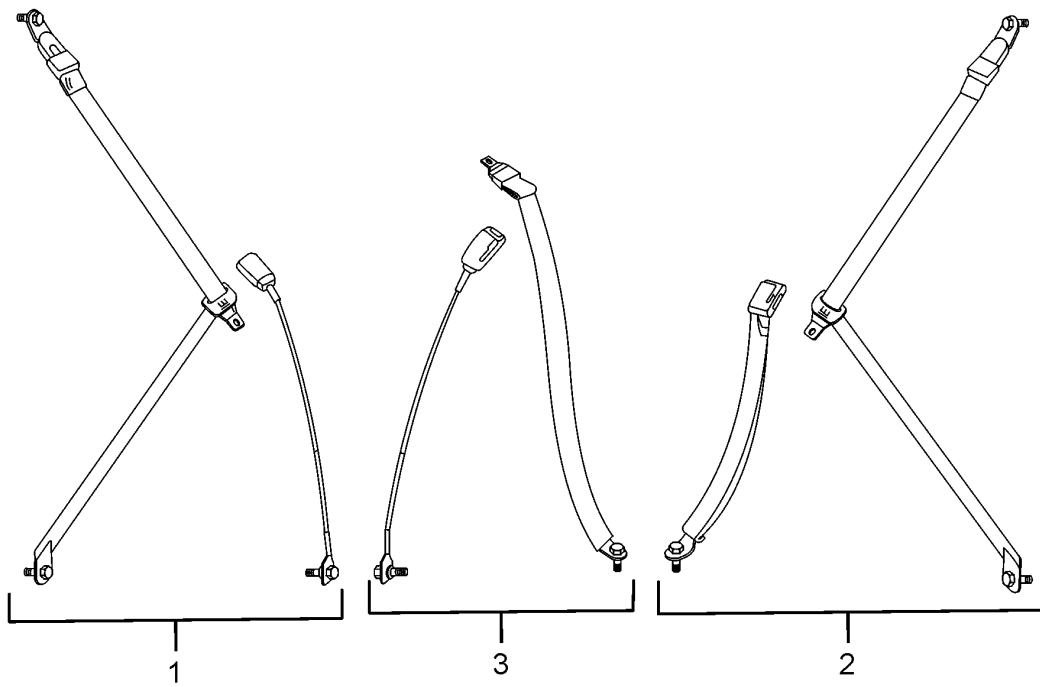
60.91.01B		DRIVER AND CO DRIVER SEAT		GROUP 91	
CHASSIS TYPE: 357171; 357172					
FIG. NO.	PART NUMBER	DESCRIPTION	QTY	REMARKS	
1	265166400136	ASSY.SEAT BOX LHD [DRIVER'S SEAT]	1		
4	265191000120	ASSY.DRIVER SEAT W/HEAD REST-LHD(HARITA)	1		
5	265194000123	ASSY.CO-DRIVER SEAT LHD	1		
6	265166400140	ASSY.LID(SEAT BOX)LHD	1		

CHASSIS TYPE: 357173



60.91.01C		DRIVER AND CO DRIVER SEAT		GROUP 91	
CHASSIS TYPE: 357173					
FIG. NO.	PART NUMBER	DESCRIPTION	QTY	REMARKS	
1	265166400136	ASSY.SEAT BOX LHD [DRIVER'S SEAT]	1		
6	265166400140	ASSY.LID(SEAT BOX)LHD	1		

CHASSIS TYPE: 357171; 357172; 357175; 357174



60.91.02		SEAT BELTS		GROUP 91	
CHASSIS TYPE: 357171; 357172; 357175; 357174					
FIG. NO.	PART NUMBER	DESCRIPTION	QTY	REMARKS	
—	265191500113	SEAT BELT KIT COMPLETE	1		
1	265191500110	SEAT BELT KIT(DRIVER)W/ MICRO SW.	1		
2	265191500104	ASSY.SEAT BELT KIT(CO-DRIVER)	1		
3	265191500107	ASSY.SEAT BELT KIT(CO-DRIVER MIDDLE)	1		

