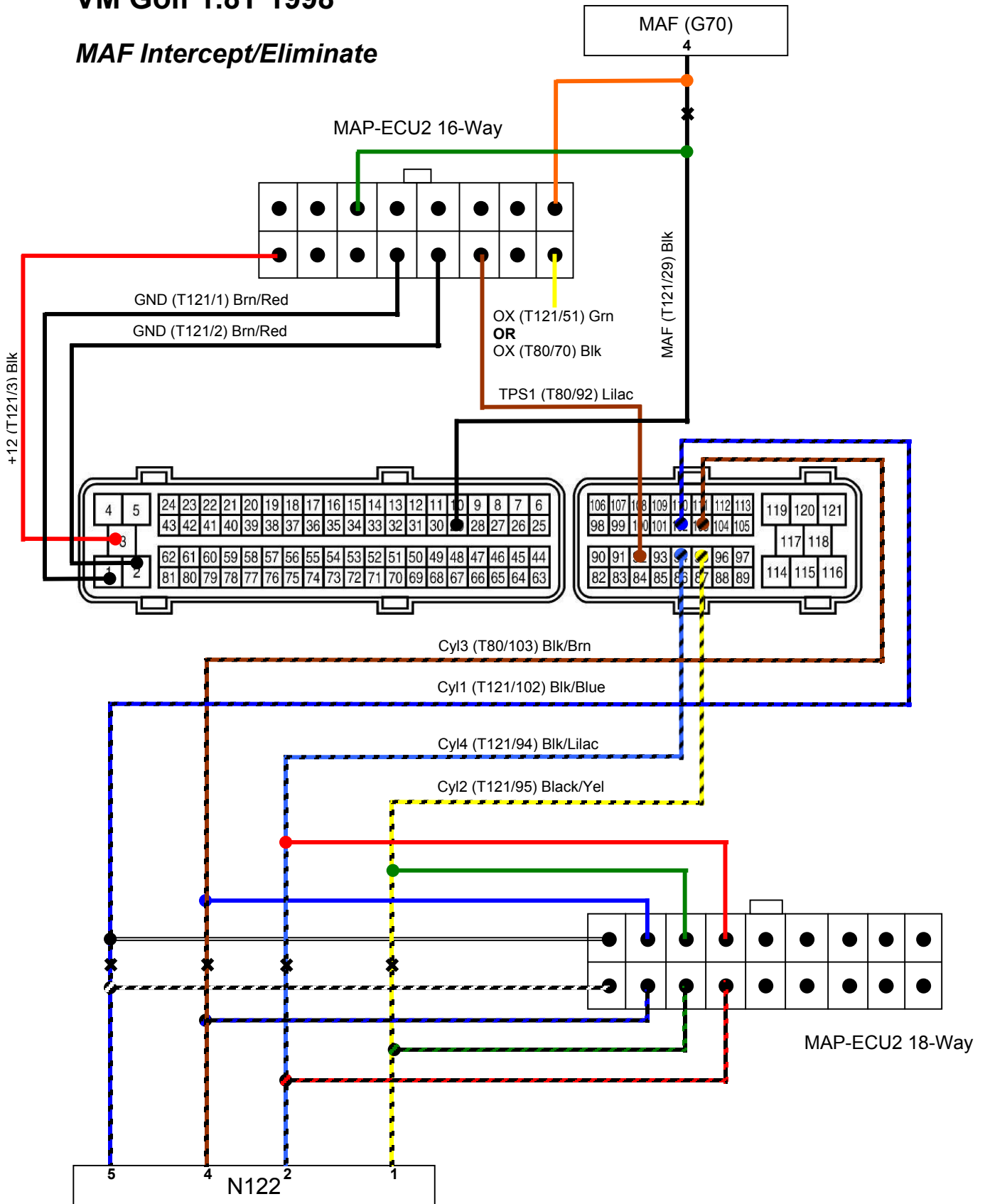


VM Golf 1.8T 1998

MAF Intercept/Eliminate



✕ = wire cut

Note: Configure Ignition to 4-Cylinder Coil on Plug