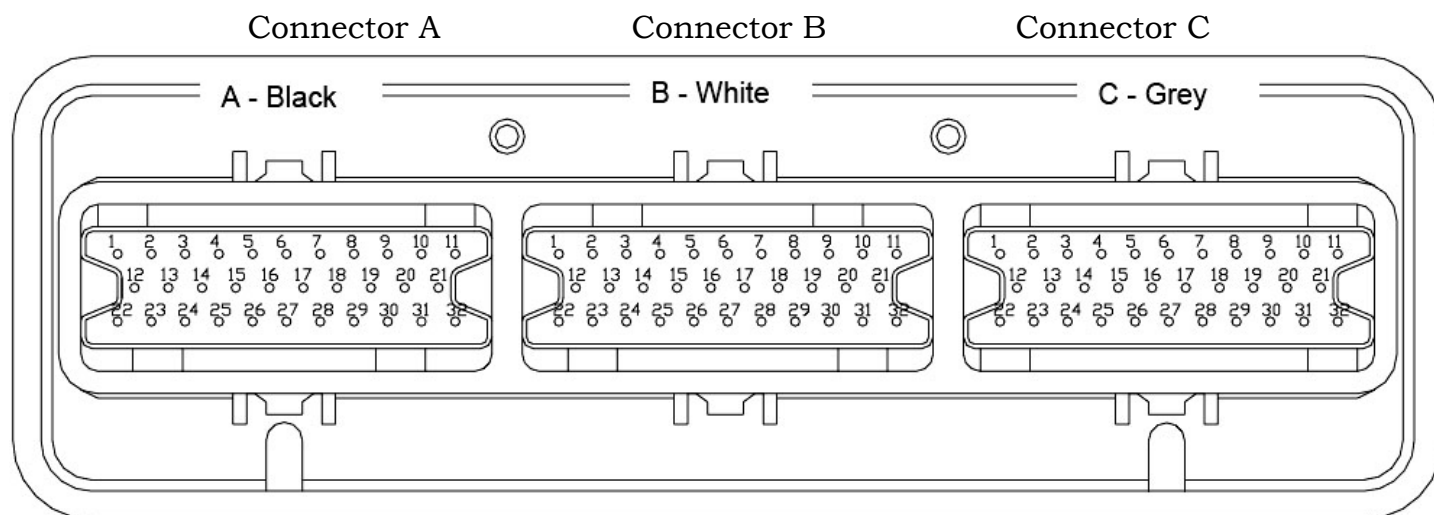




## 1996-2002 Dodge Viper V-10

Revised October 11, 2005

## ECU Pinout Diagram

**Connector A**

Pin #	Name	Function	Signal Type
2A	Fused Ignition Switch Output	12V Switched	Power
4A	Sensor Ground	Chassis Ground	Ground
8A	Crank Position Sensor Signal	(from Crank) Engine Speed Sensor Signal	Speed
15A	Intake Temperature Sensor	Air Intake Temperature Sensor Signal	Analog
18A	Camshaft Position Sensor Signal	(from Camshaft) Engine Speed Sensor Signal	Speed
23A	Throttle Position Sensor	Throttle Position Sensor Signal	Analog
24A	Left Upstream O2 Sensor Signal	Oxygen Sensor Signal (Left Upstream)	Analog
25A	Left Downstream O2 Sensor Signal	Oxygen Sensor Signal (Left Downstream)	Analog
26A	Right Upstream O2 Sensor Signal	Oxygen Sensor Signal (Right Upstream)	Analog
27A	MAP Sensor Signal	Manifold Atmospheric Pressure Sensor Signal	Analog
28A	Right Downstream O2 Sensor Signal	Oxygen Sensor Signal (Right Downstream)	Analog
31A	Power Ground	Chassis Ground	Ground
32A	Power Ground	Chassis Ground	Ground

**Connector B**

Pin #	Name	Function	Signal Type
2B	Injector # 7	Engine Speed Sensor Signal	Speed
3B	Injector # 9	Engine Speed Sensor Signal	Speed
4B	Injector # 1	Engine Speed Sensor Signal	Speed
5B	Injector # 3	Engine Speed Sensor Signal	Speed
6B	Injector # 5	Engine Speed Sensor Signal	Speed
12B	Injector # 6	Engine Speed Sensor Signal	Speed
13B	Injector # 8	Engine Speed Sensor Signal	Speed

[www.plxdevices.com](http://www.plxdevices.com)

(408)745-7591



---

14B	Injector # 10	Engine Speed Sensor Signal	Speed
15B	Injector # 2	Engine Speed Sensor Signal	Speed
16B	Injector # 4	Engine Speed Sensor Signal	Speed
28B	Vehicle Speed Sensor Signal	Vehicle Speed Sensor Signal	Speed

**Connector C**

<b>Pin #</b>	<b>Name</b>	<b>Function</b>	<b>Signal Type</b>
15C	Atmospheric Temperature Sensor	Atmospheric Temperature Sensor Signal (Ambient)	Analog
31C	Tachometer Signal	Engine Speed Sensor Signal	Speed

**Caution!**

If you are not familiar with the vehicle's electrical systems, onboard sensors, and vehicle dynamics, DO NOT attempt to perform ANY installation of PLX Devices Inc. product(s). PLX Devices Inc. does not guarantee 100% accuracy, compatibility and specific application functionality of these documents. Use these documents as guidelines ONLY and refer to your vehicle's service manual for detailed information.