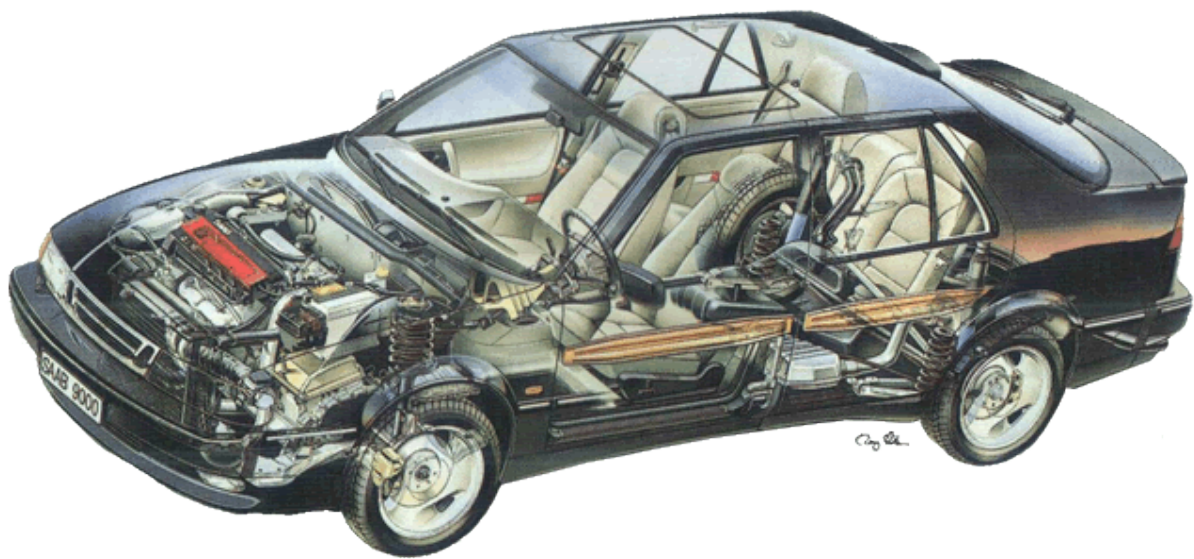


# SAAB 9000

---

WIRING DIAGRAMS - 1997 U.S. SPECIFICATION



## CONTENTS

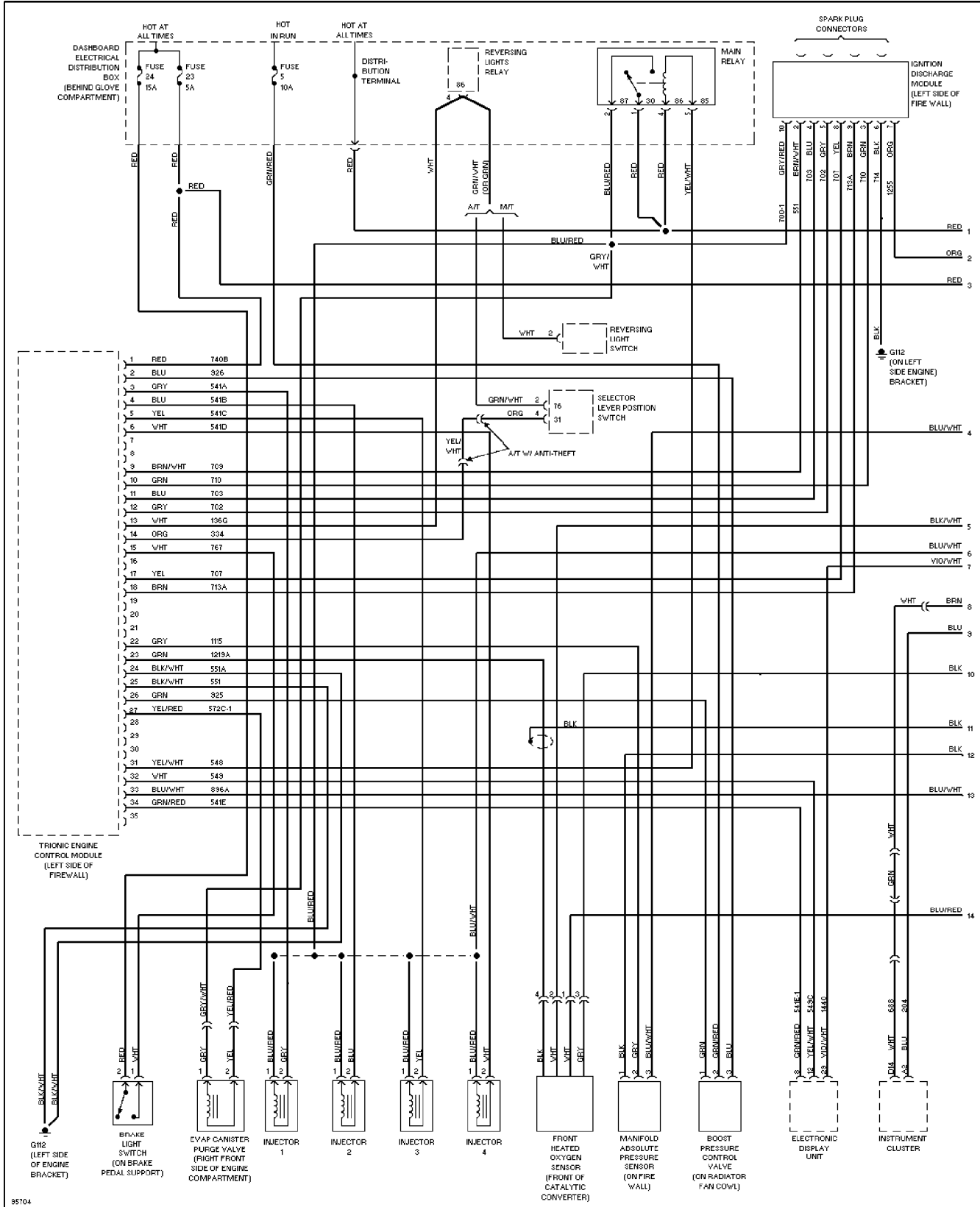
3. 2.3 Turbo Engine performance circuits 1
4. 2.3 Turbo Engine performance circuits 2
5. ABS
6. Aircon 1
7. Aircon 2
8. Alarm circuit with immobiliser
9. Alarm circuit without immobiliser
10. Backup lamps circuit
11. Boot-tailgate-fuel door
12. Charging circuit
13. Computer data lines
14. Cooling fan circuit
15. Courtesy lamps circuit
16. Cruise control circuit
17. Defogger circuit with auto AC
18. Defogger circuit without auto AC
19. Driver memory seat circuit
20. Exterior lamps circuit
21. External lamps circuit 2
22. Front and headlight washer-wiper circuit
23. Ground distribution circuit
24. Headlamp-Front fog lamps circuit
25. Heated seats circuit
26. Horn circuit
27. Instrument cluster 1
28. Instrument cluster 2
29. Instrument illumination
30. Power antenna
31. Power distribution 1
32. Power distribution 2
33. Power distribution 3
34. Power door lock
35. Power mirror
36. Power seats
37. Power window
38. Rear fog lamp
39. Rear wiper-washer
40. Shift interlock
41. Starting
42. Sunroof
43. Supplemental restraint
44. Trip computer
45. Warning system

# SYSTEM WIRING DIAGRAMS

## 2.3L Turbo, Engine Performance Circuits (1 of 2)

### 1997 Saab 9000

For DIAKOM-AUTO <http://www.diakom.ru> Taganrog support@diakom.ru (8634)315187  
 Copyright © 1998 Mitchell Repair Information Company, LLC  
 Friday, December 15, 2000 02:19PM



# SYSTEM WIRING DIAGRAMS

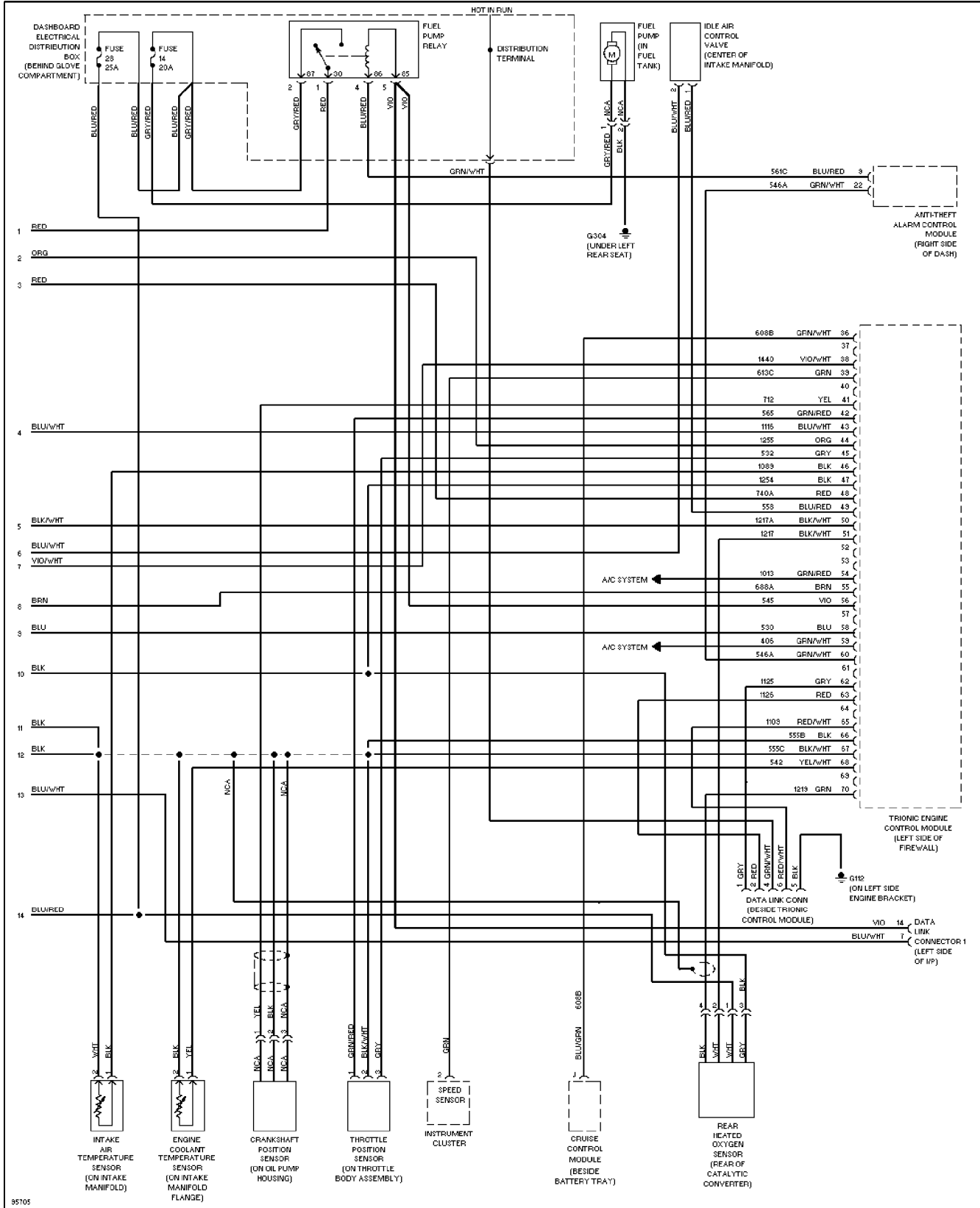
## 2.3L Turbo, Engine Performance Circuits (2 of 2)

1997 Saab 9000

For DIAKOM-AUTO <http://www.diakom.ru> Taganrog support@diakom.ru (8634)315187

Copyright © 1998 Mitchell Repair Information Company, LLC

Friday, December 15, 2000 02:20PM



# SYSTEM WIRING DIAGRAMS

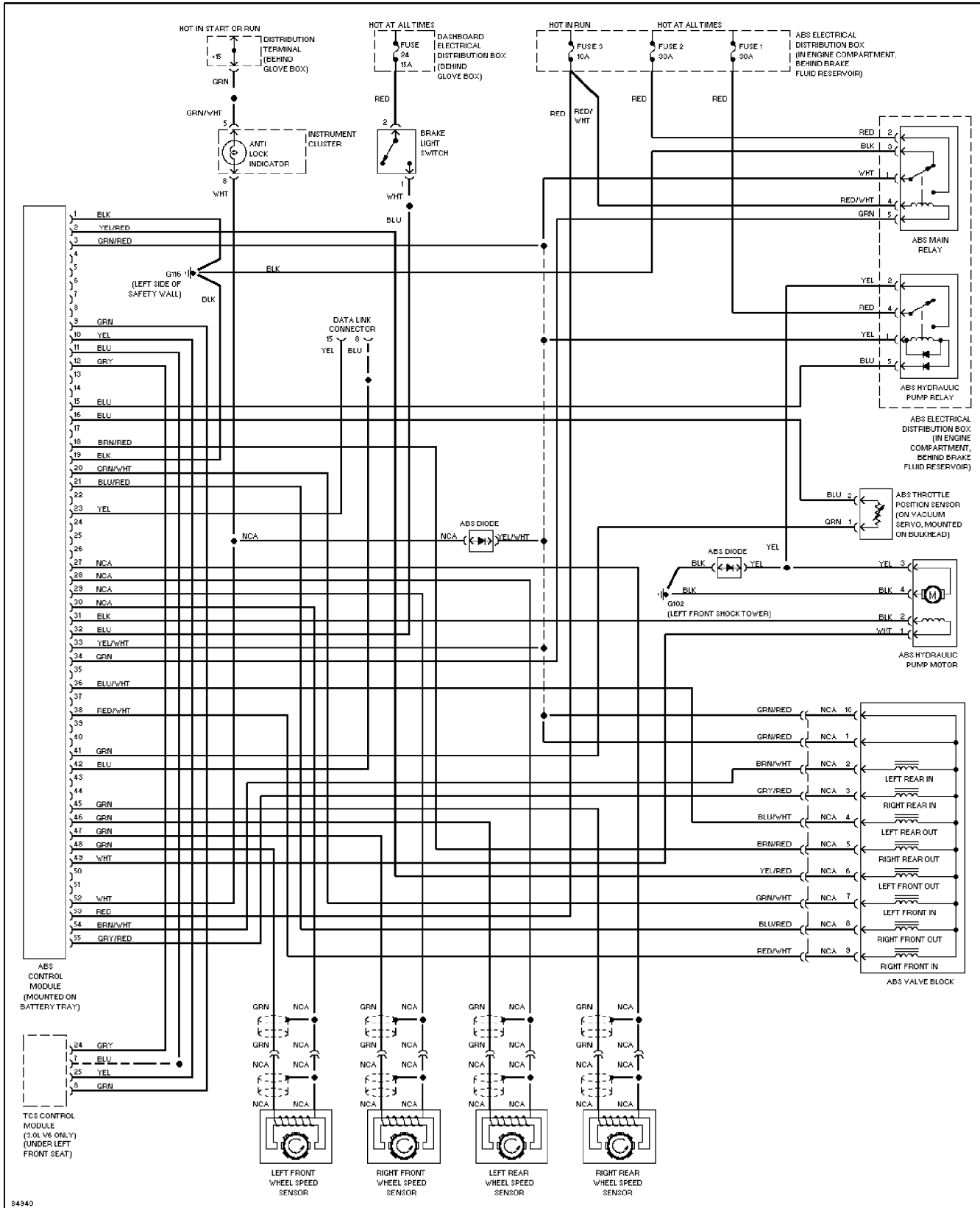
## Anti-Lock Brakes Circuit

1997 Saab 9000

For DIAKOM-AUTO <http://www.diakom.ru> Taganrog support@diakom.ru (8634)315187

Copyright © 1998 Mitchell Repair Information Company, LLC

Friday, December 15, 2000 02:18PM



# SYSTEM WIRING DIAGRAMS

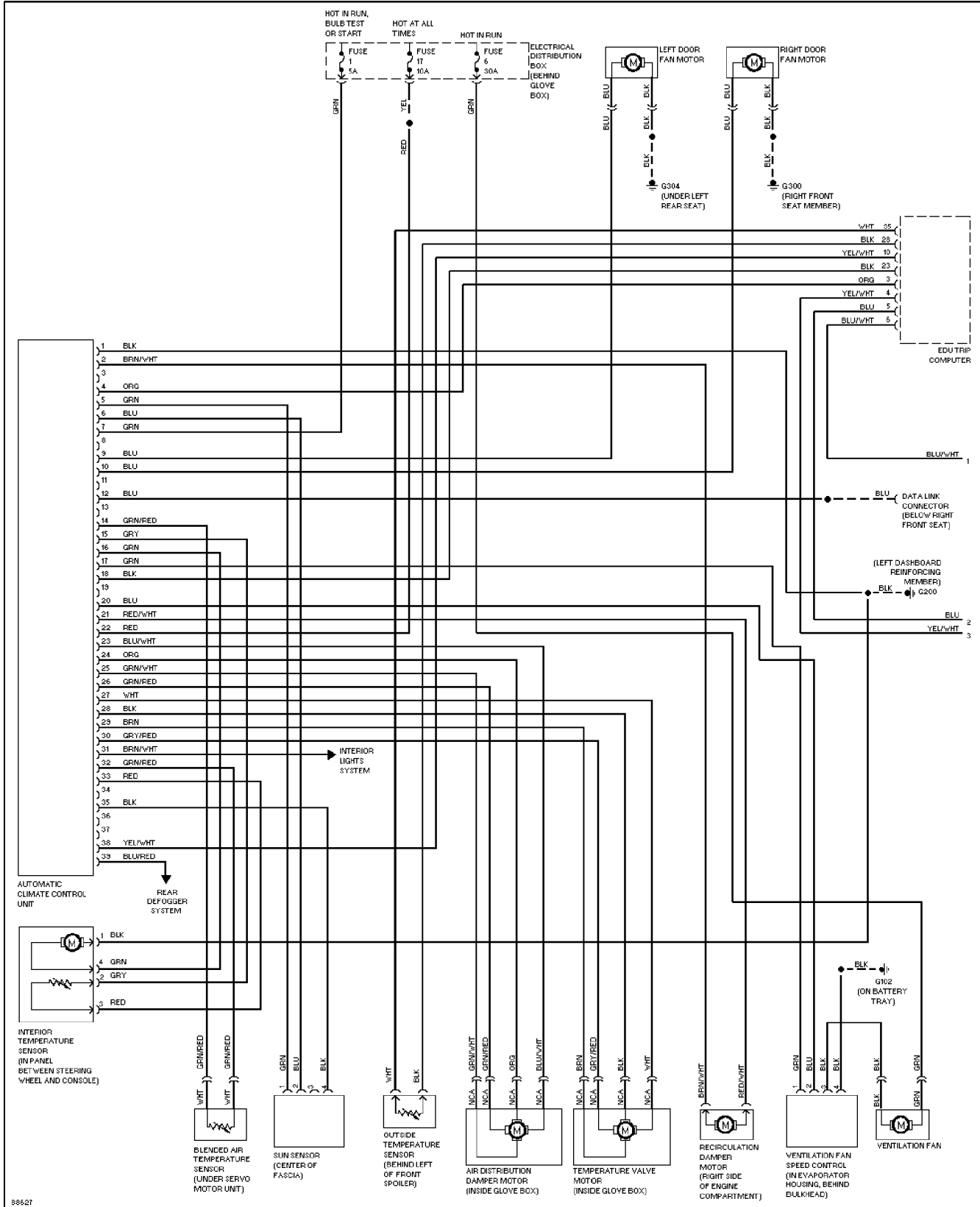
## Air Conditioning Circuits (1 of 2)

1997 Saab 9000

For DIAKOM-AUTO <http://www.diakom.ru> Taganrog support@diakom.ru (8634)315187

Copyright © 1998 Mitchell Repair Information Company, LLC

Friday, December 15, 2000 02:17PM



# SYSTEM WIRING DIAGRAMS

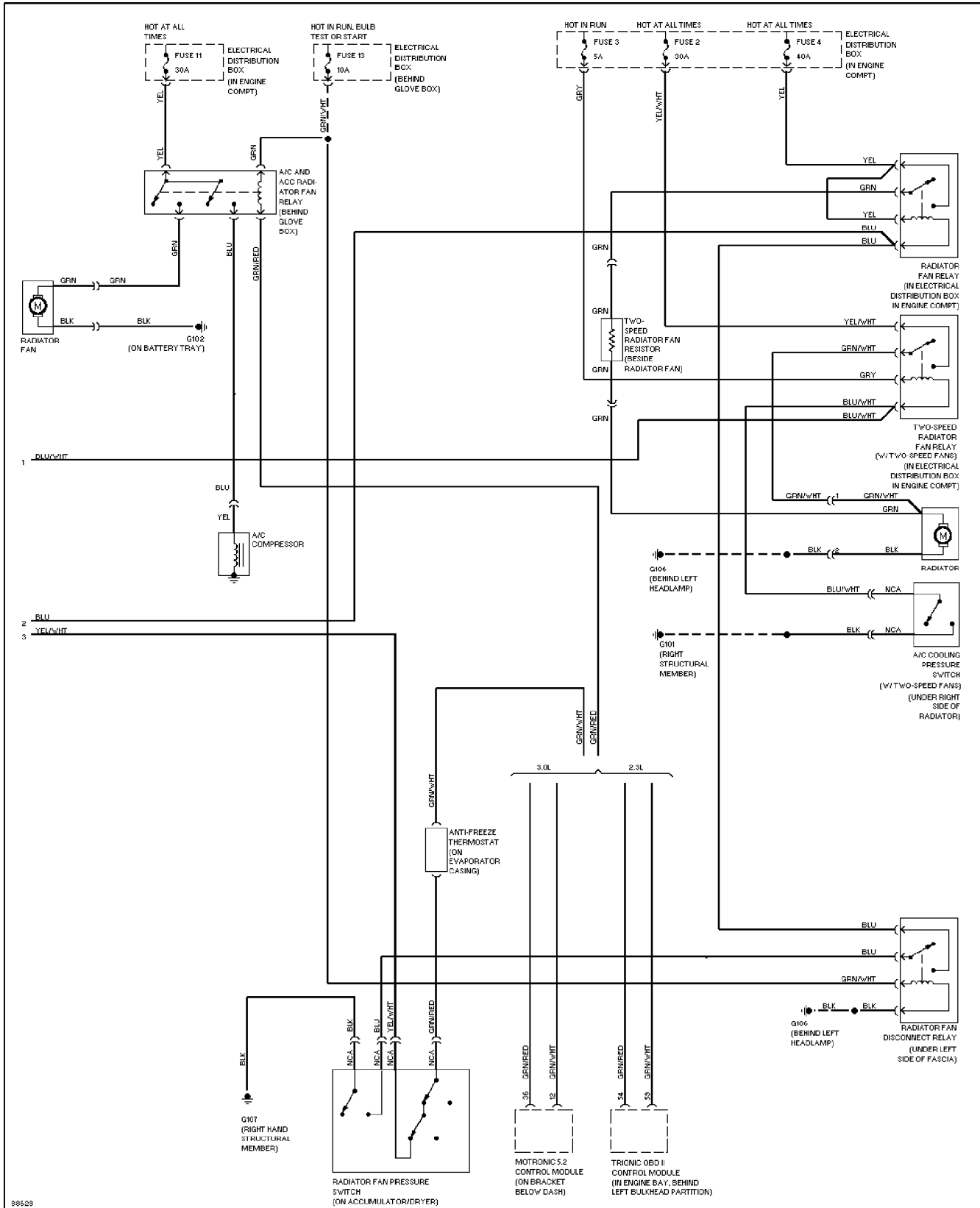
## Air Conditioning Circuits (2 of 2)

1997 Saab 9000

For DIAKOM-AUTO <http://www.diakom.ru> Taganrog support@diakom.ru (8634)315187

Copyright © 1998 Mitchell Repair Information Company, LLC

Friday, December 15, 2000 02:18PM



# SYSTEM WIRING DIAGRAMS

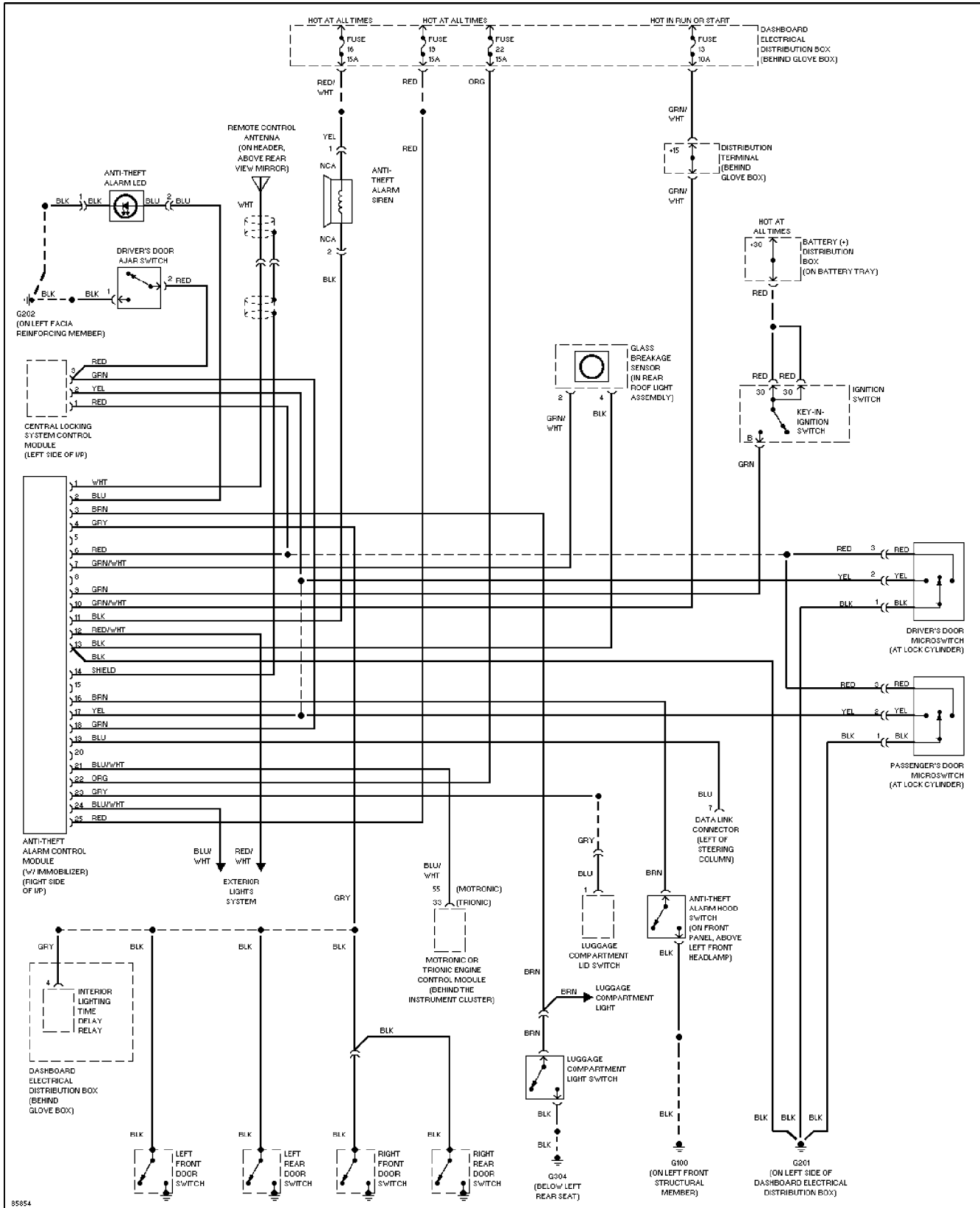
## Anti-theft Alarm Circuit, W/ Immobilizer

1997 Saab 9000

For DIAKOM-AUTO <http://www.diakom.ru> Taganrog support@diakom.ru (8634)315187

Copyright © 1998 Mitchell Repair Information Company, LLC

Friday, December 15, 2000 02:18PM



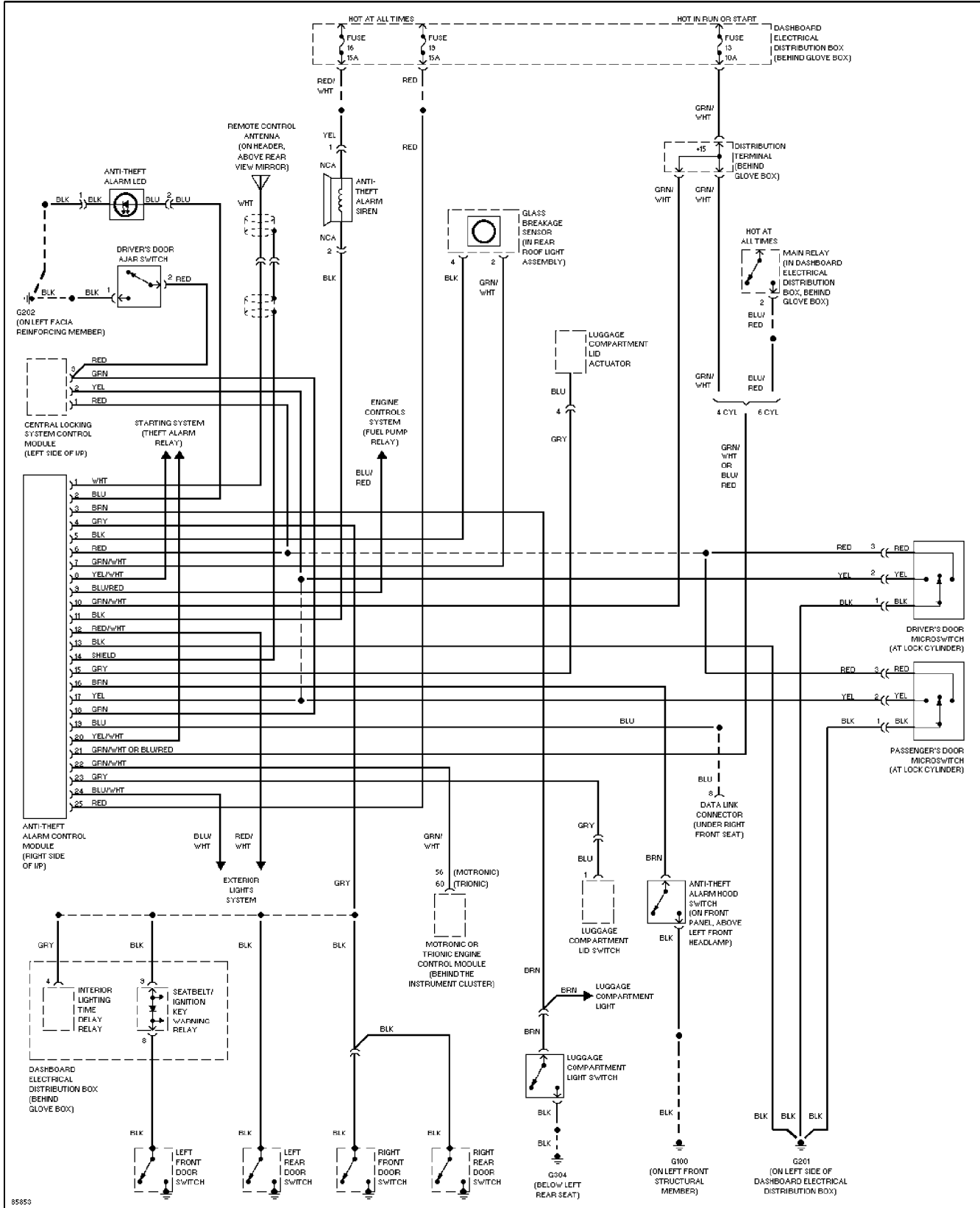


# SYSTEM WIRING DIAGRAMS

## Anti-theft Alarm Circuit, W/O Immobilizer

### 1997 Saab 9000

For DIAKOM-AUTO <http://www.diakom.ru> Taganrog support@diakom.ru (8634)315187  
 Copyright © 1998 Mitchell Repair Information Company, LLC  
 Friday, December 15, 2000 02:18PM



# SYSTEM WIRING DIAGRAMS

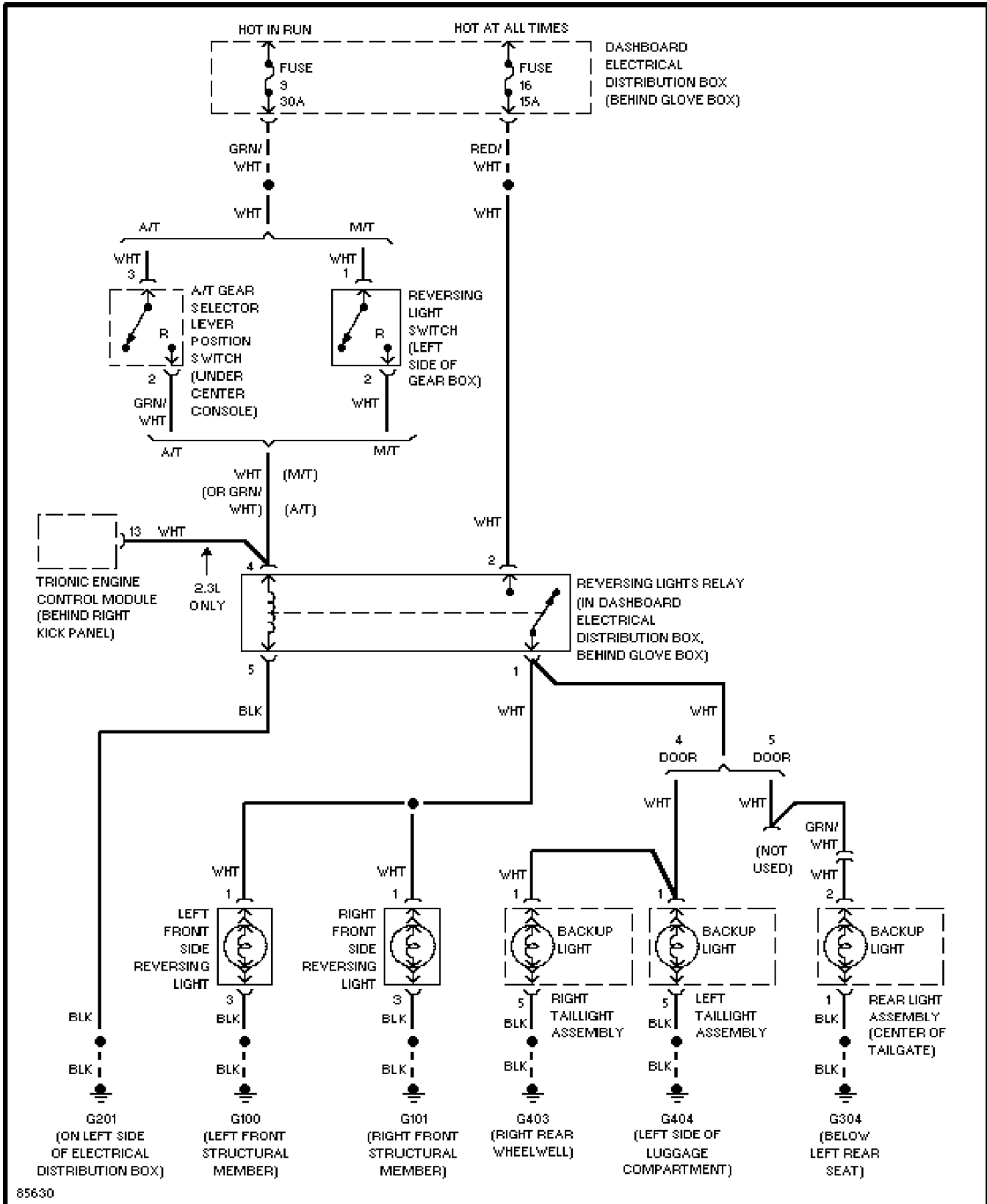
## Backup Lamps Circuit

1997 Saab 9000

For DIAKOM-AUTO <http://www.diakom.ru> Taganrog support@diakom.ru (8634)315187

Copyright © 1998 Mitchell Repair Information Company, LLC

Friday, December 15, 2000 02:20PM



# SYSTEM WIRING DIAGRAMS

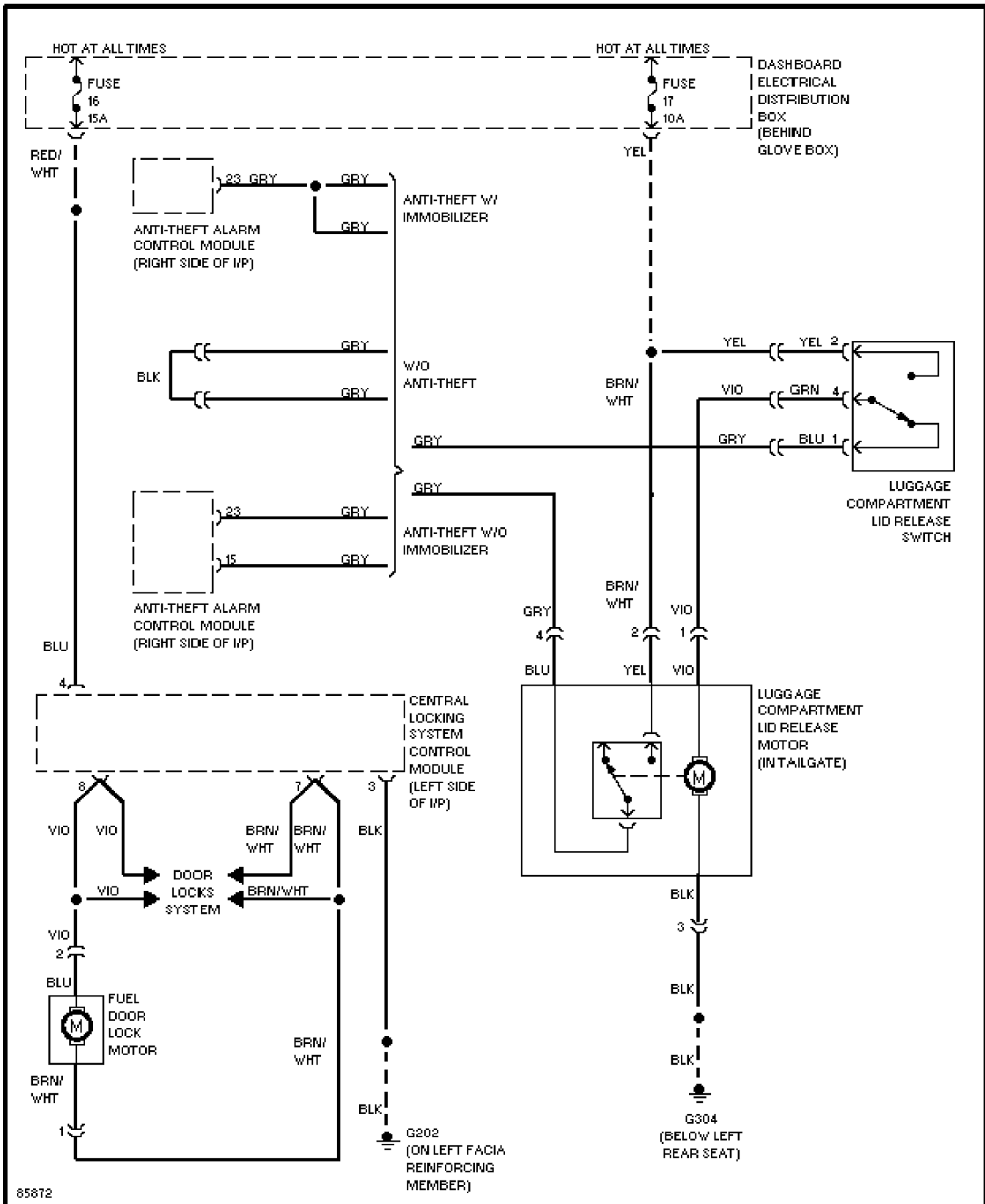
## Trunk, Tailgate, Fuel Door Circuits

1997 Saab 9000

For DIAKOM-AUTO <http://www.diakom.ru> Taganrog support@diakom.ru (8634)315187

Copyright © 1998 Mitchell Repair Information Company, LLC

Friday, December 15, 2000 02:24PM



# SYSTEM WIRING DIAGRAMS

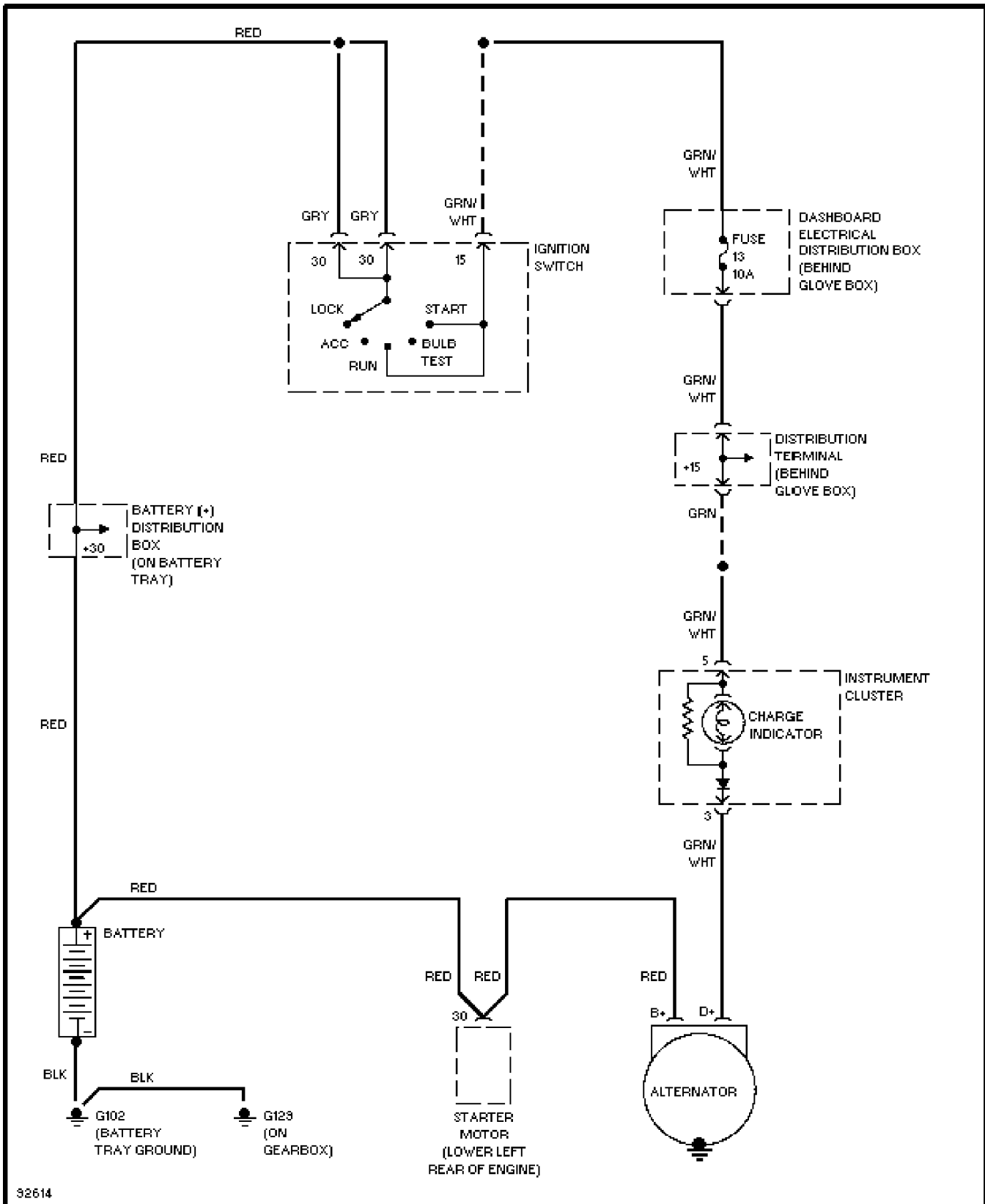
## Charging Circuit

1997 Saab 9000

For DIAKOM-AUTO <http://www.diakom.ru> Taganrog support@diakom.ru (8634)315187

Copyright © 1998 Mitchell Repair Information Company, LLC

Friday, December 15, 2000 02:24PM



# SYSTEM WIRING DIAGRAMS

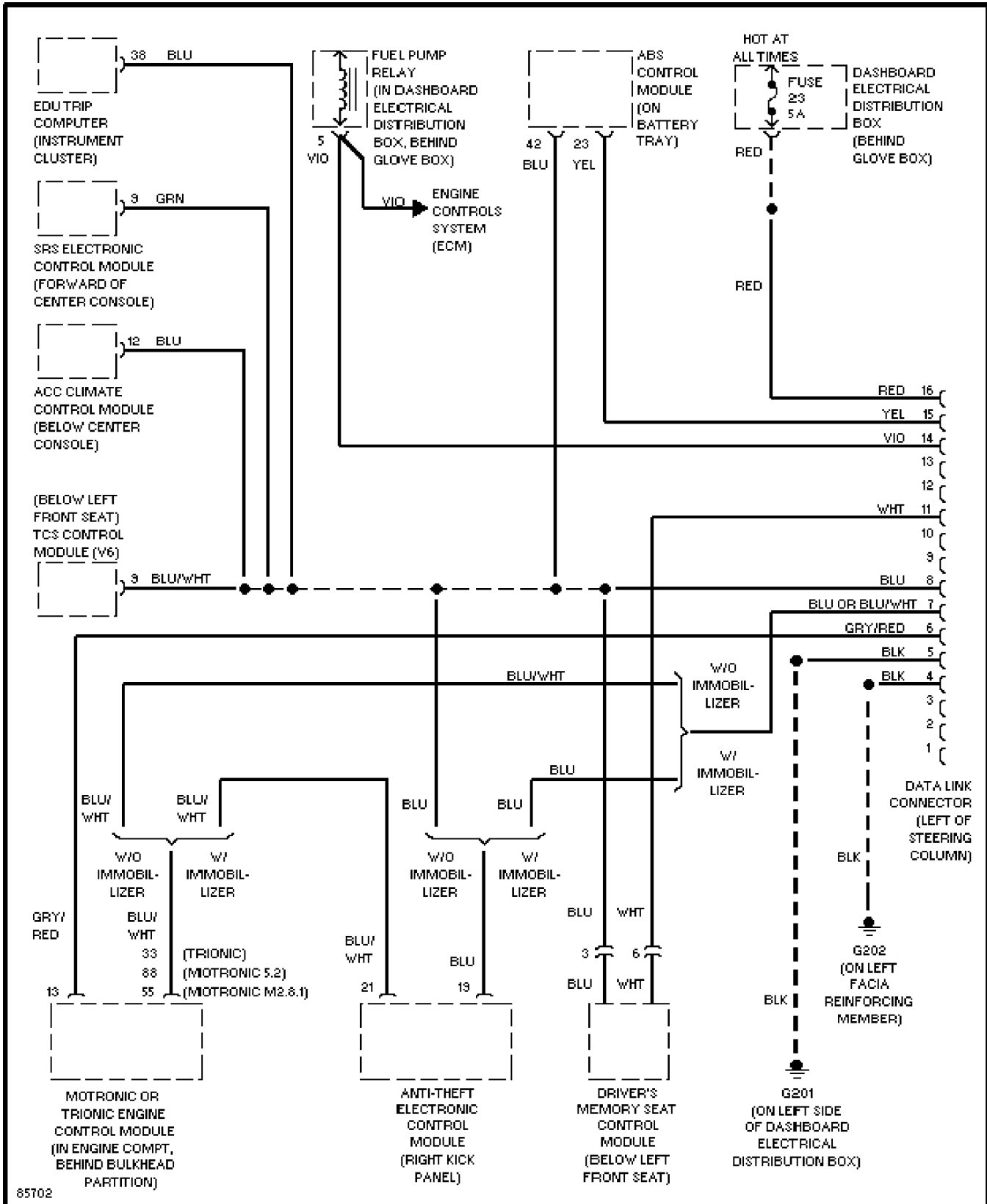
## Computer Data Lines

1997 Saab 9000

For DIAKOM-AUTO <http://www.diakom.ru> Taganrog support@diakom.ru (8634)315187

Copyright © 1998 Mitchell Repair Information Company, LLC

Friday, December 15, 2000 02:19PM



# SYSTEM WIRING DIAGRAMS

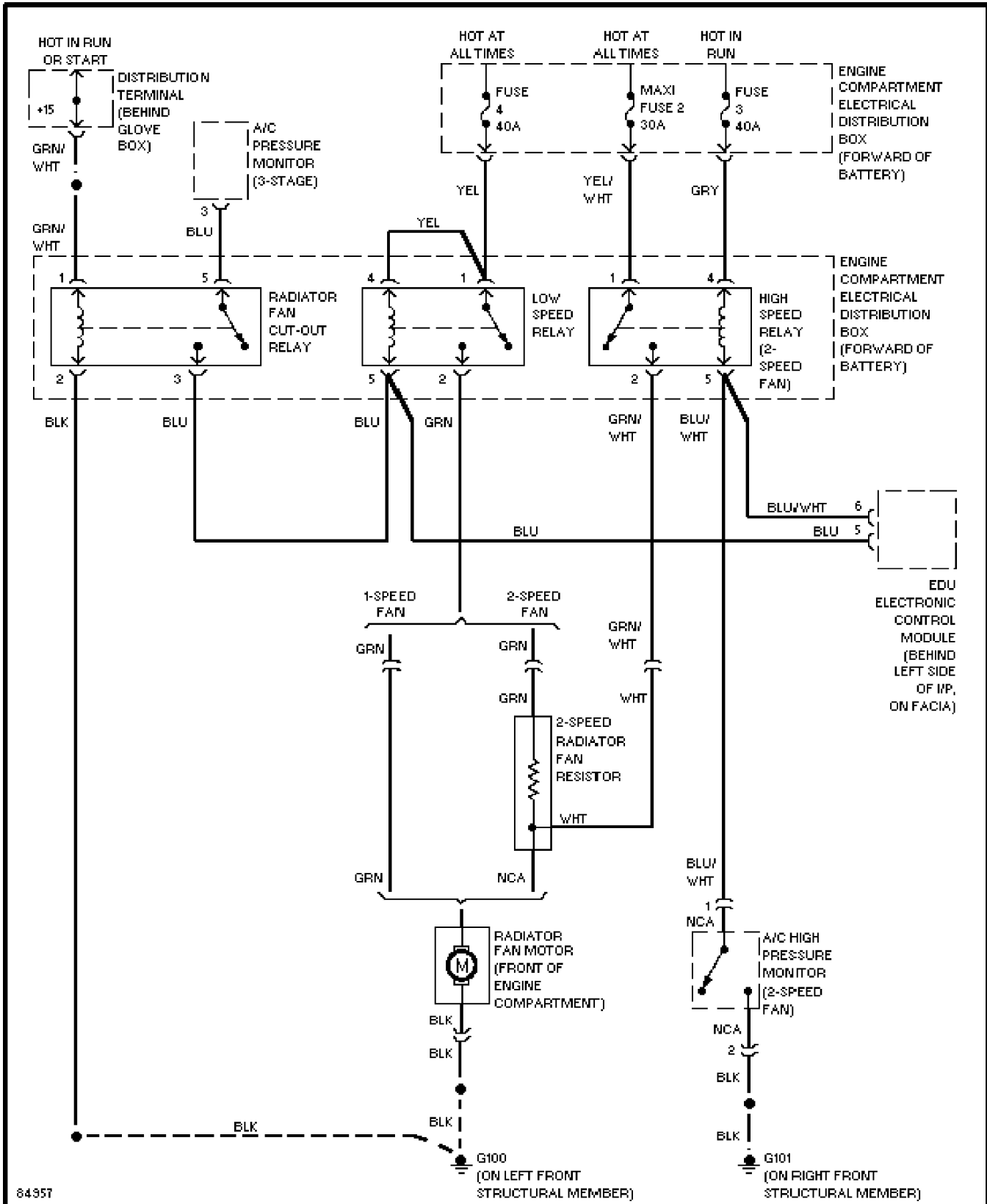
## Cooling Fan Circuit

1997 Saab 9000

For DIAKOM-AUTO <http://www.diakom.ru> Taganrog support@diakom.ru (8634)315187

Copyright © 1998 Mitchell Repair Information Company, LLC

Friday, December 15, 2000 02:19PM



# SYSTEM WIRING DIAGRAMS

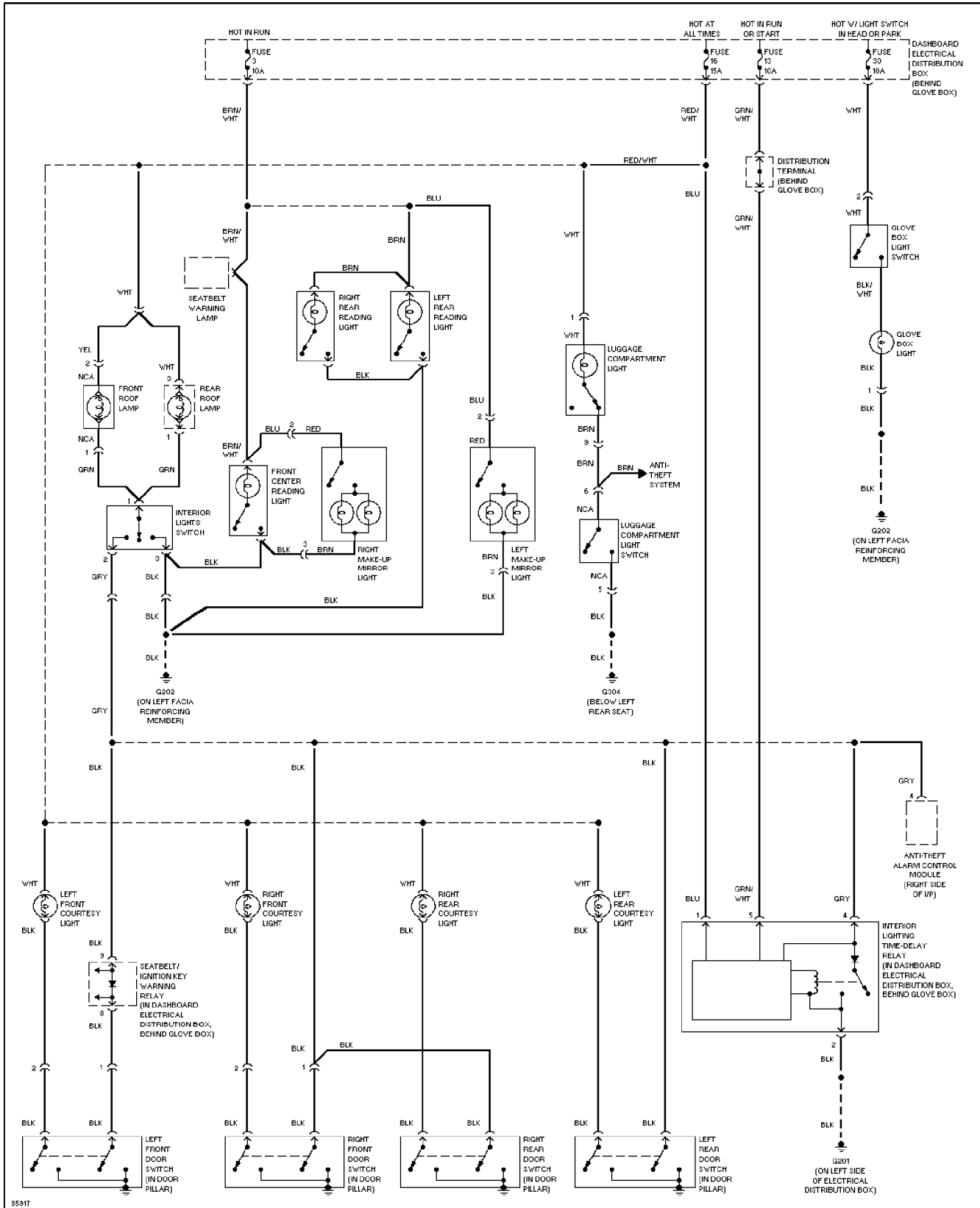
## Courtesy Lamps Circuit

1997 Saab 9000

For DIAKOM-AUTO <http://www.diakom.ru> Taganrog support@diakom.ru (8634)315187

Copyright © 1998 Mitchell Repair Information Company, LLC

Friday, December 15, 2000 02:22PM



# SYSTEM WIRING DIAGRAMS

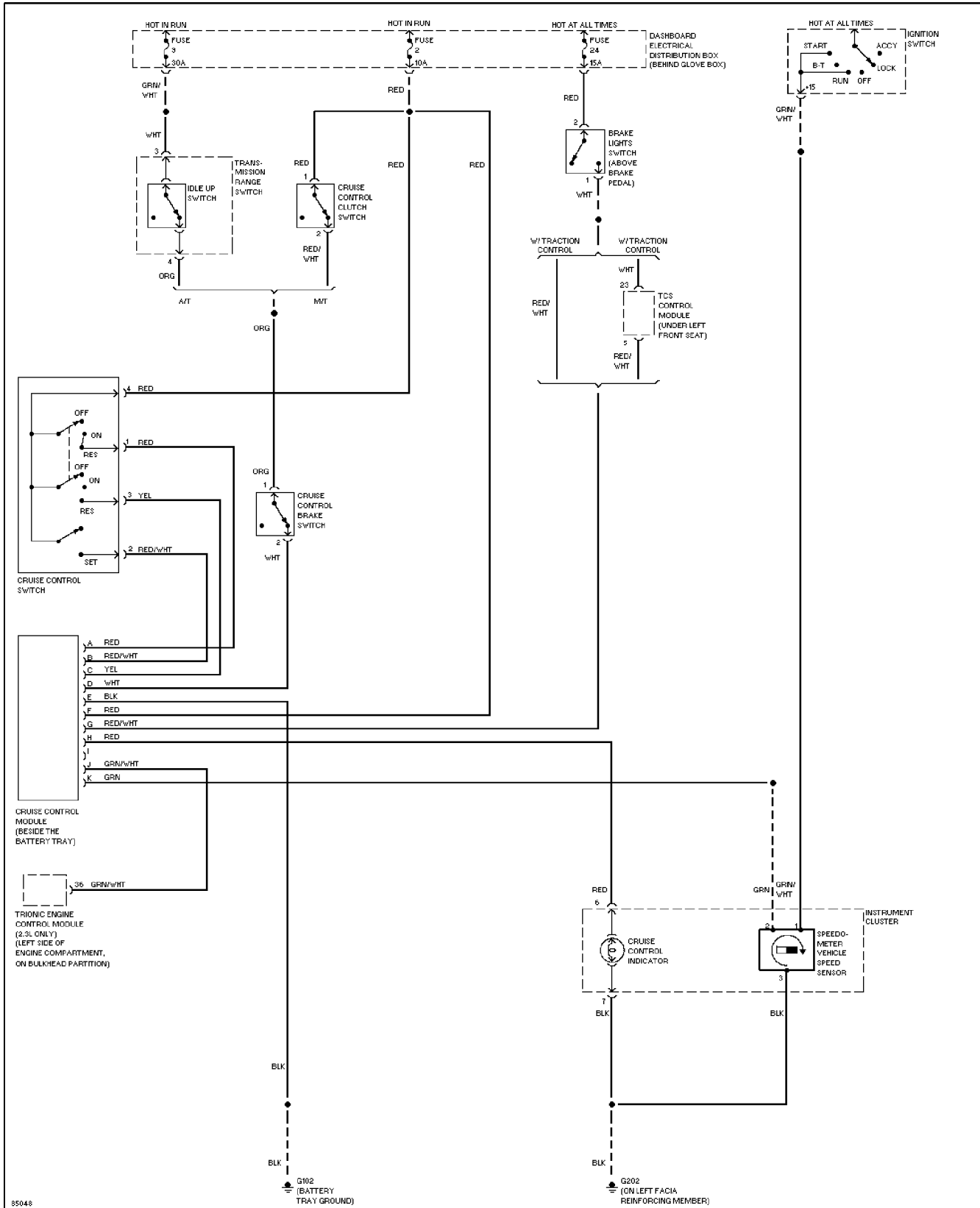
## Cruise Control Circuit

1997 Saab 9000

For DIAKOM-AUTO <http://www.diakom.ru> Taganrog support@diakom.ru (8634)315187

Copyright © 1998 Mitchell Repair Information Company, LLC

Friday, December 15, 2000 02:19PM





# SYSTEM WIRING DIAGRAMS

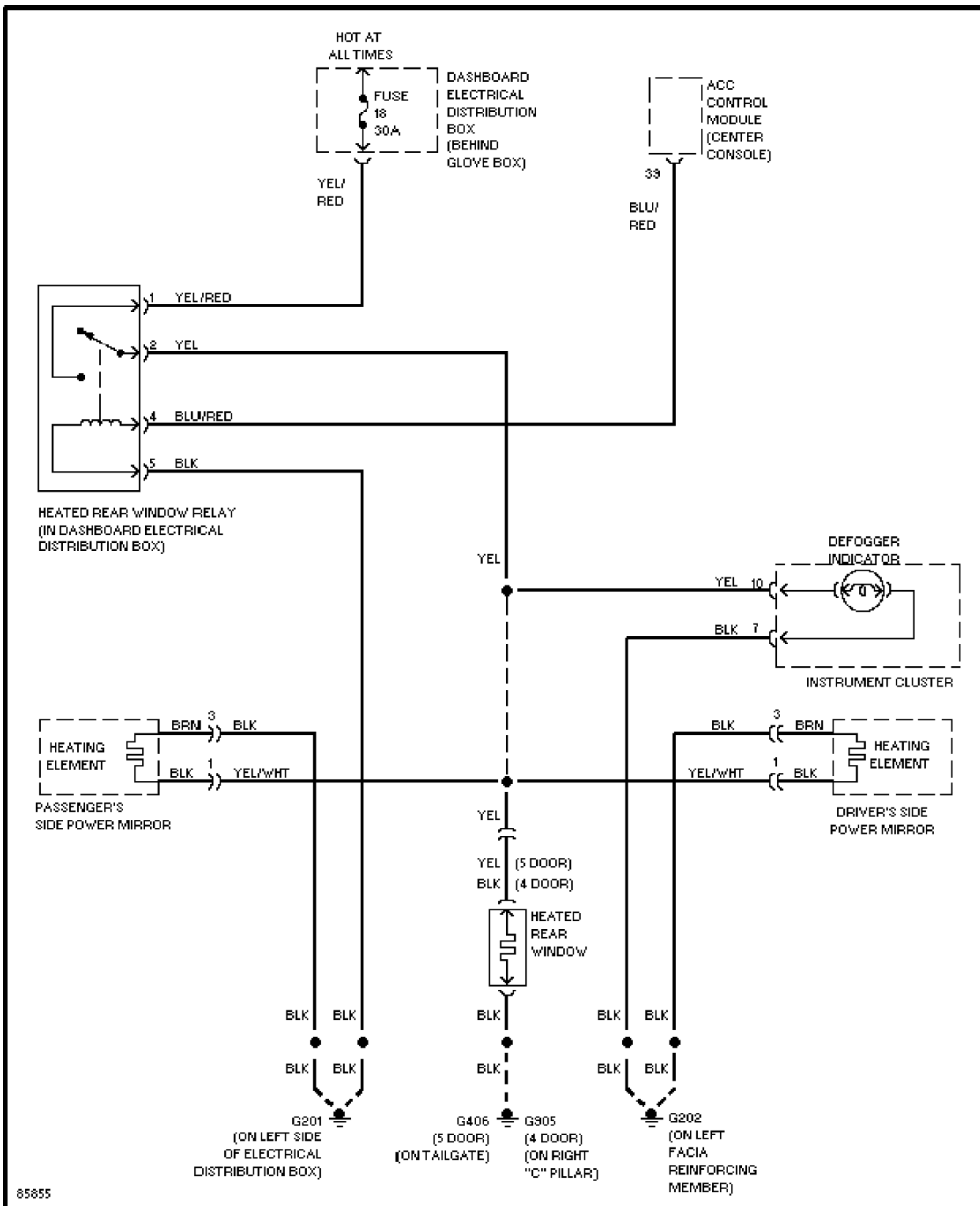
## Defogger Circuit, W/ Auto A/C

1997 Saab 9000

For DIAKOM-AUTO <http://www.diakom.ru> Taganrog support@diakom.ru (8634)315187

Copyright © 1998 Mitchell Repair Information Company, LLC

Friday, December 15, 2000 02:19PM



# SYSTEM WIRING DIAGRAMS

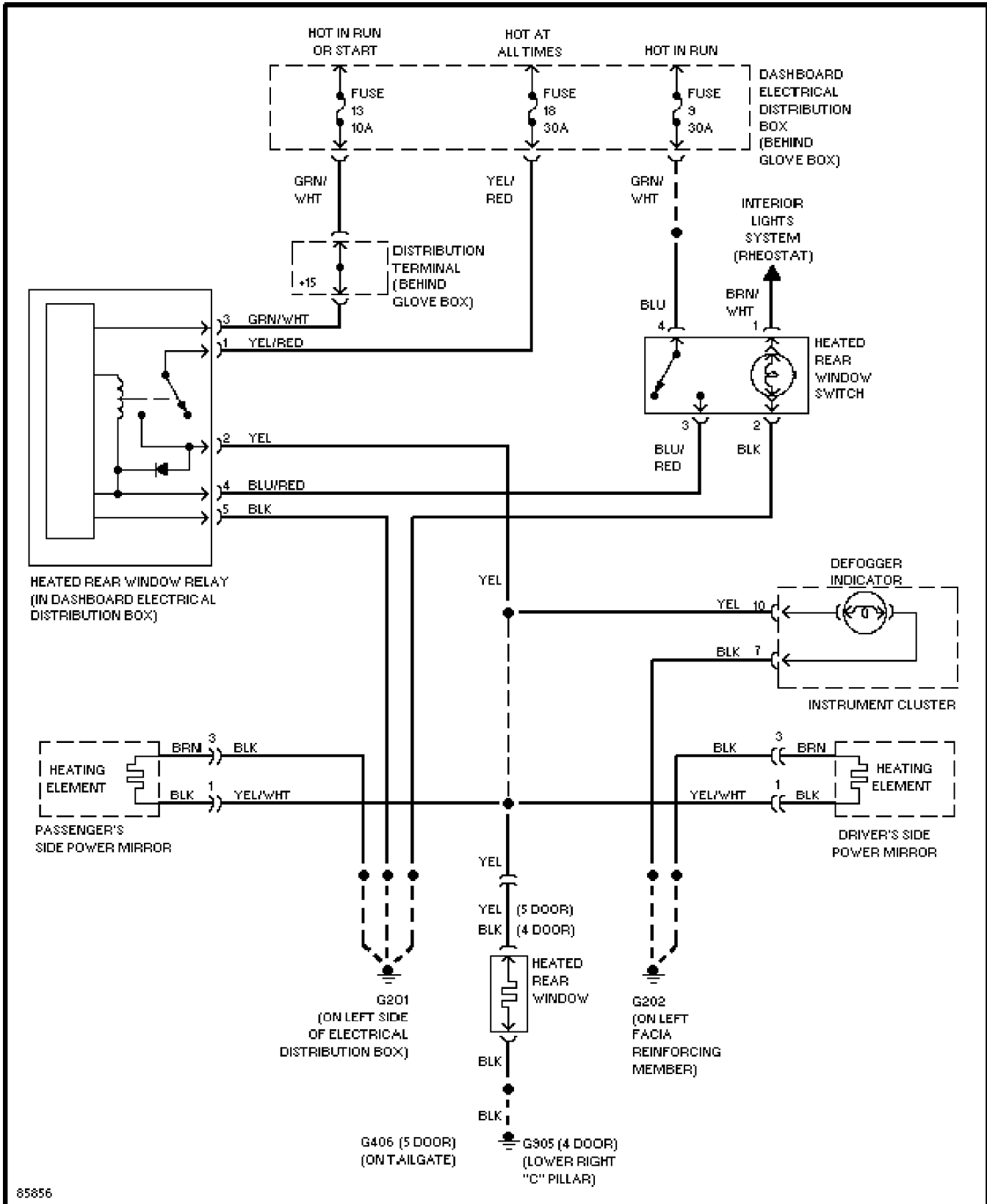
## Defogger Circuit, W/O Auto A/C

1997 Saab 9000

For DIAKOM-AUTO <http://www.diakom.ru> Taganrog support@diakom.ru (8634)315187

Copyright © 1998 Mitchell Repair Information Company, LLC

Friday, December 15, 2000 02:19PM



# SYSTEM WIRING DIAGRAMS

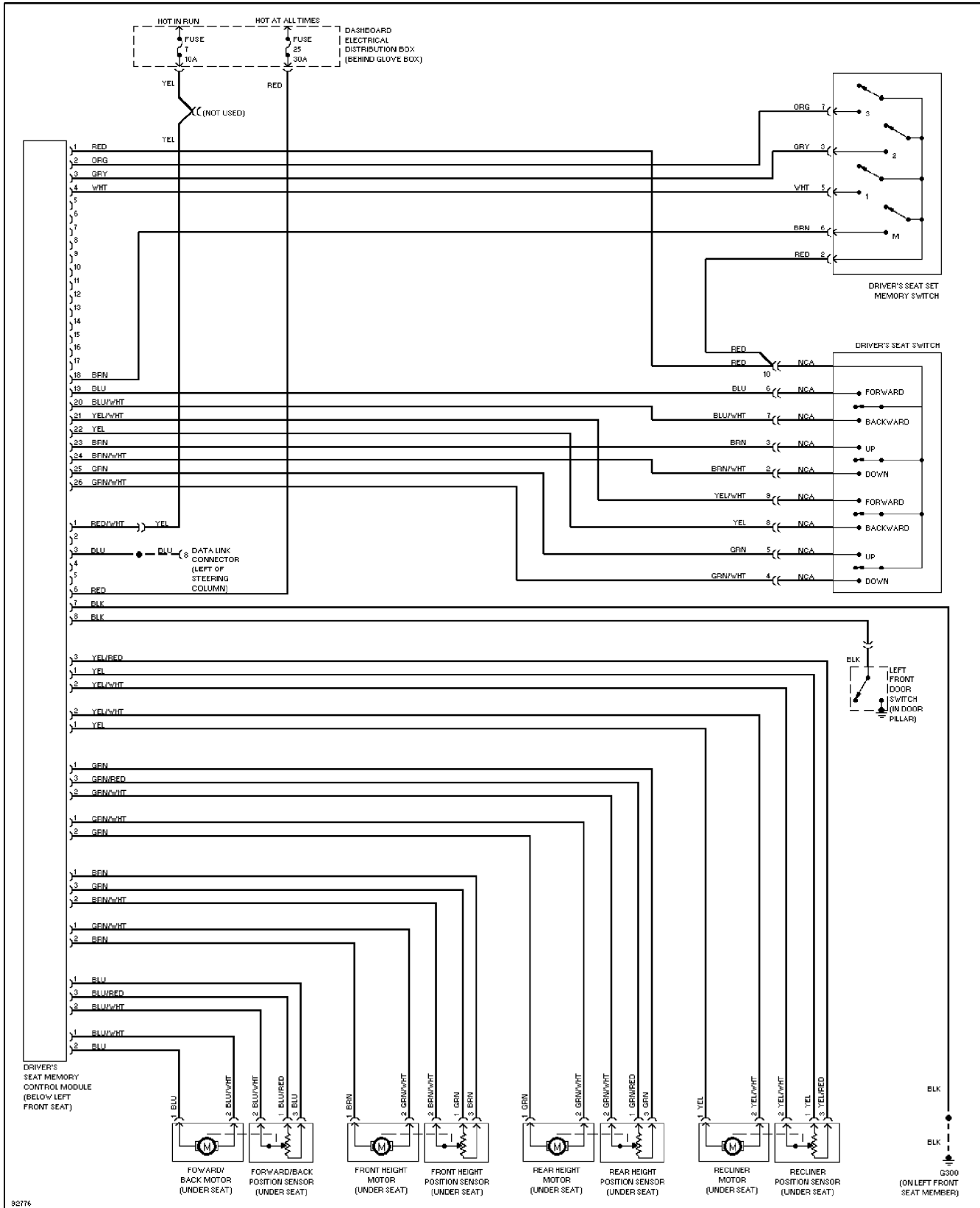
## Driver's Memory Seat Circuit

1997 Saab 9000

For DIAKOM-AUTO <http://www.diakom.ru> Taganrog support@diakom.ru (8634)315187

Copyright © 1998 Mitchell Repair Information Company, LLC

Friday, December 15, 2000 02:22PM



# SYSTEM WIRING DIAGRAMS

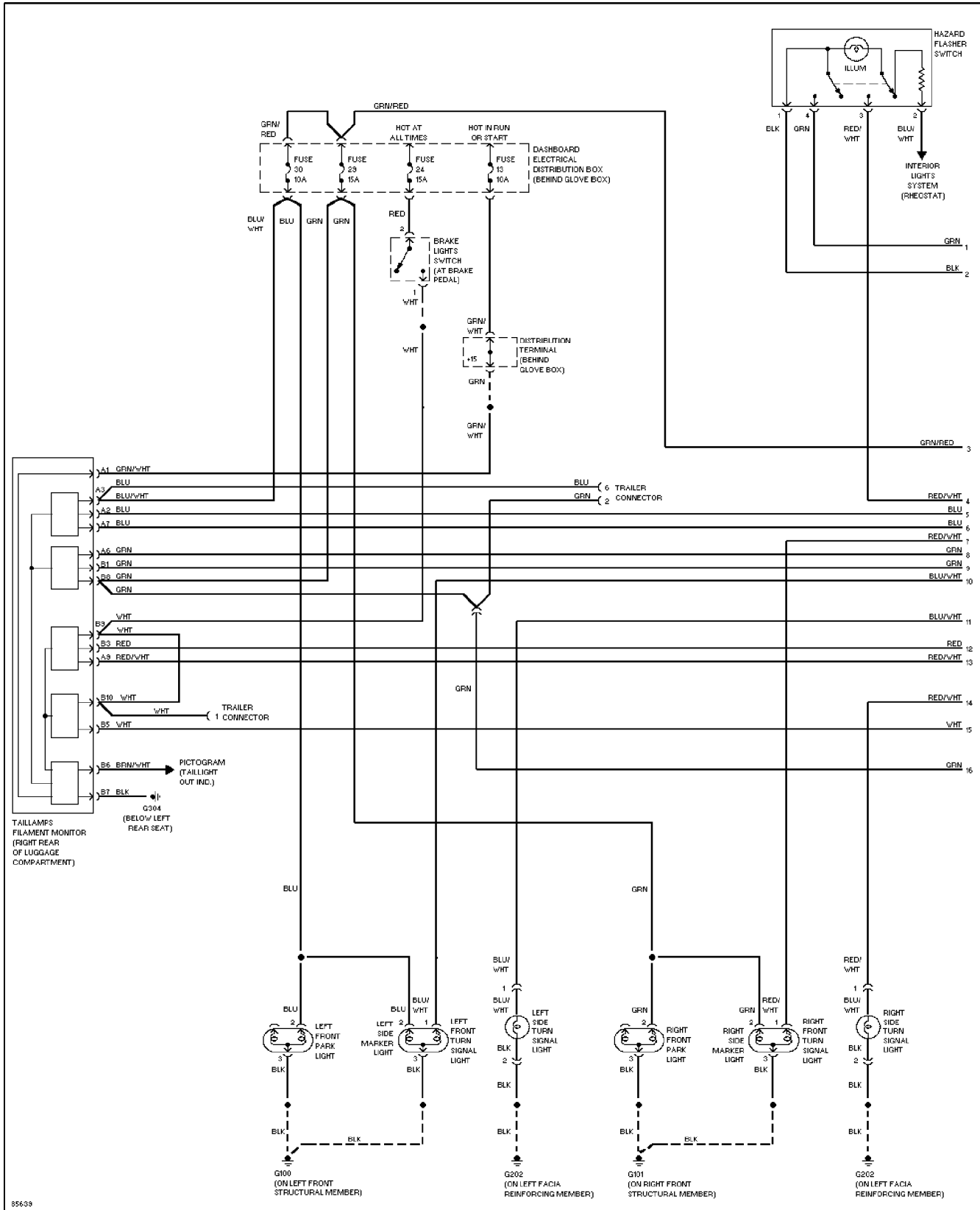
## Exterior Lamps Circuit (1 of 2)

1997 Saab 9000

For DIAKOM-AUTO <http://www.diakom.ru> Taganrog support@diakom.ru (8634)315187

Copyright © 1998 Mitchell Repair Information Company, LLC

Friday, December 15, 2000 02:20PM



# SYSTEM WIRING DIAGRAMS

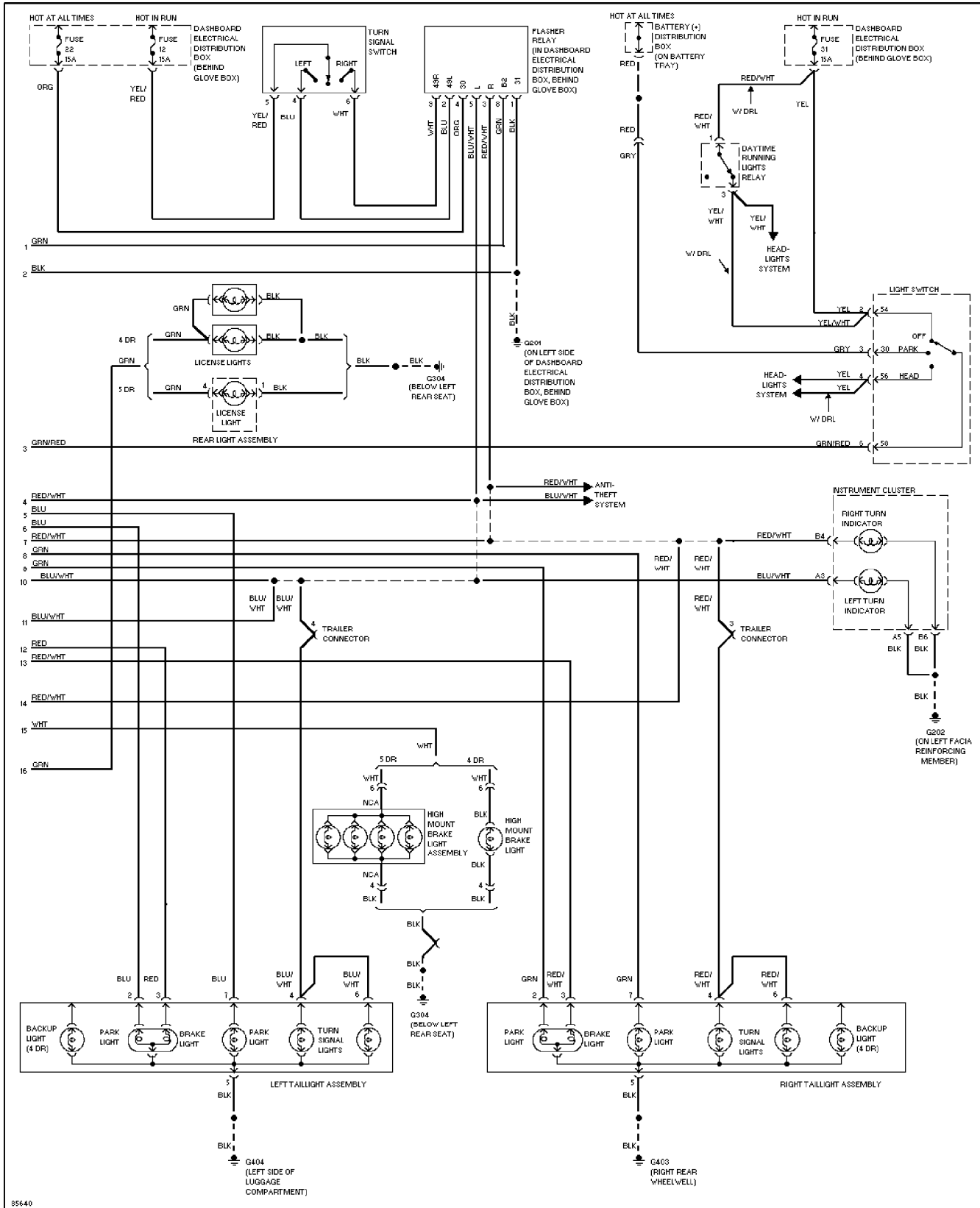
## Exterior Lamps Circuit (2 of 2)

1997 Saab 9000

For DIAKOM-AUTO <http://www.diakom.ru> Taganrog support@diakom.ru (8634)315187

Copyright © 1998 Mitchell Repair Information Company, LLC

Friday, December 15, 2000 02:20PM



# SYSTEM WIRING DIAGRAMS

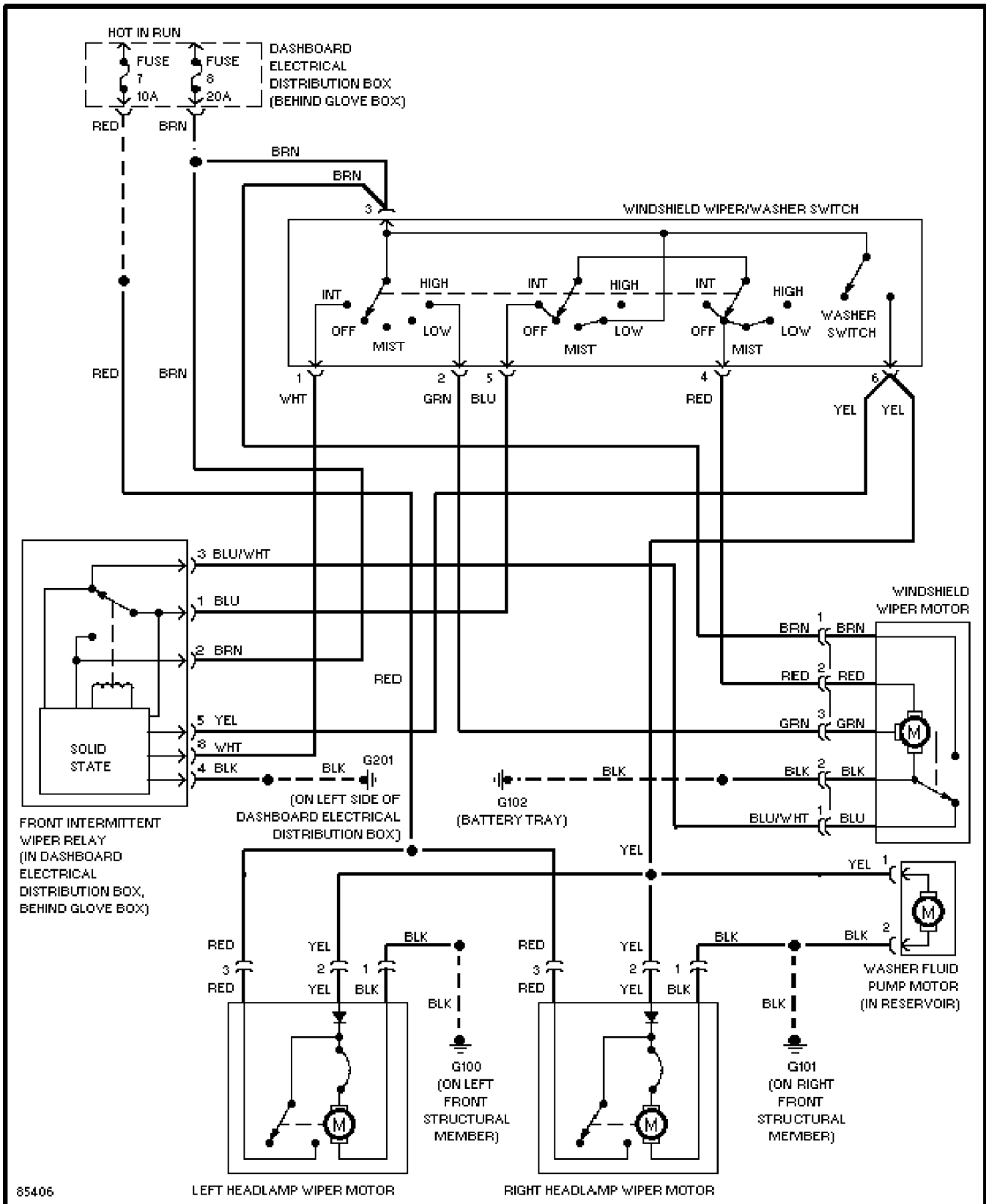
## Front & Headlight Washer/Wiper Circuit

1997 Saab 9000

For DIAKOM-AUTO <http://www.diakom.ru> Taganrog support@diakom.ru (8634)315187

Copyright © 1998 Mitchell Repair Information Company, LLC

Friday, December 15, 2000 02:25PM



# SYSTEM WIRING DIAGRAMS

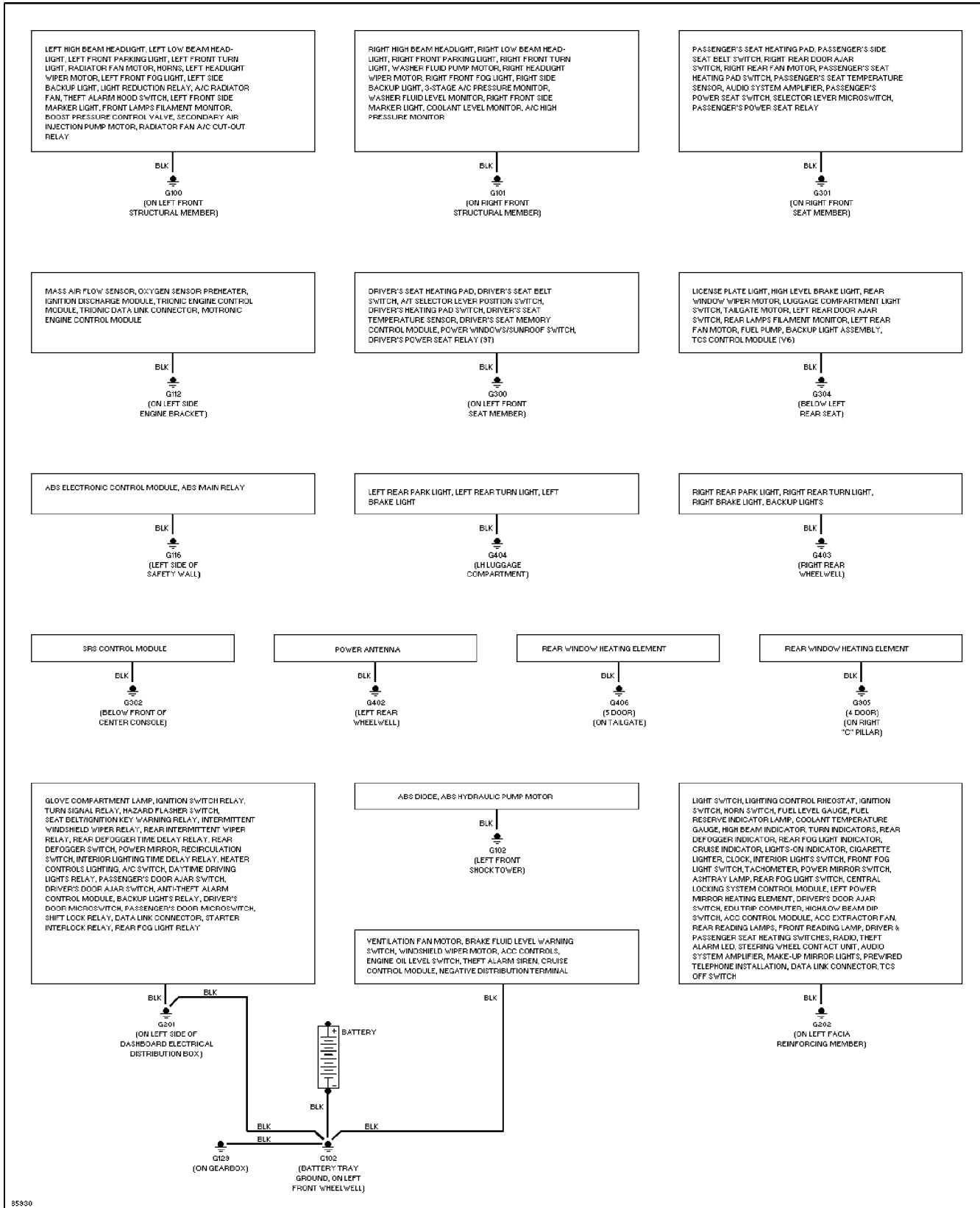
## Ground Distribution Circuit

1997 Saab 9000

For DIAKOM-AUTO <http://www.diakom.ru> Taganrog support@diakom.ru (8634)315187

Copyright © 1998 Mitchell Repair Information Company, LLC

Friday, December 15, 2000 02:20PM

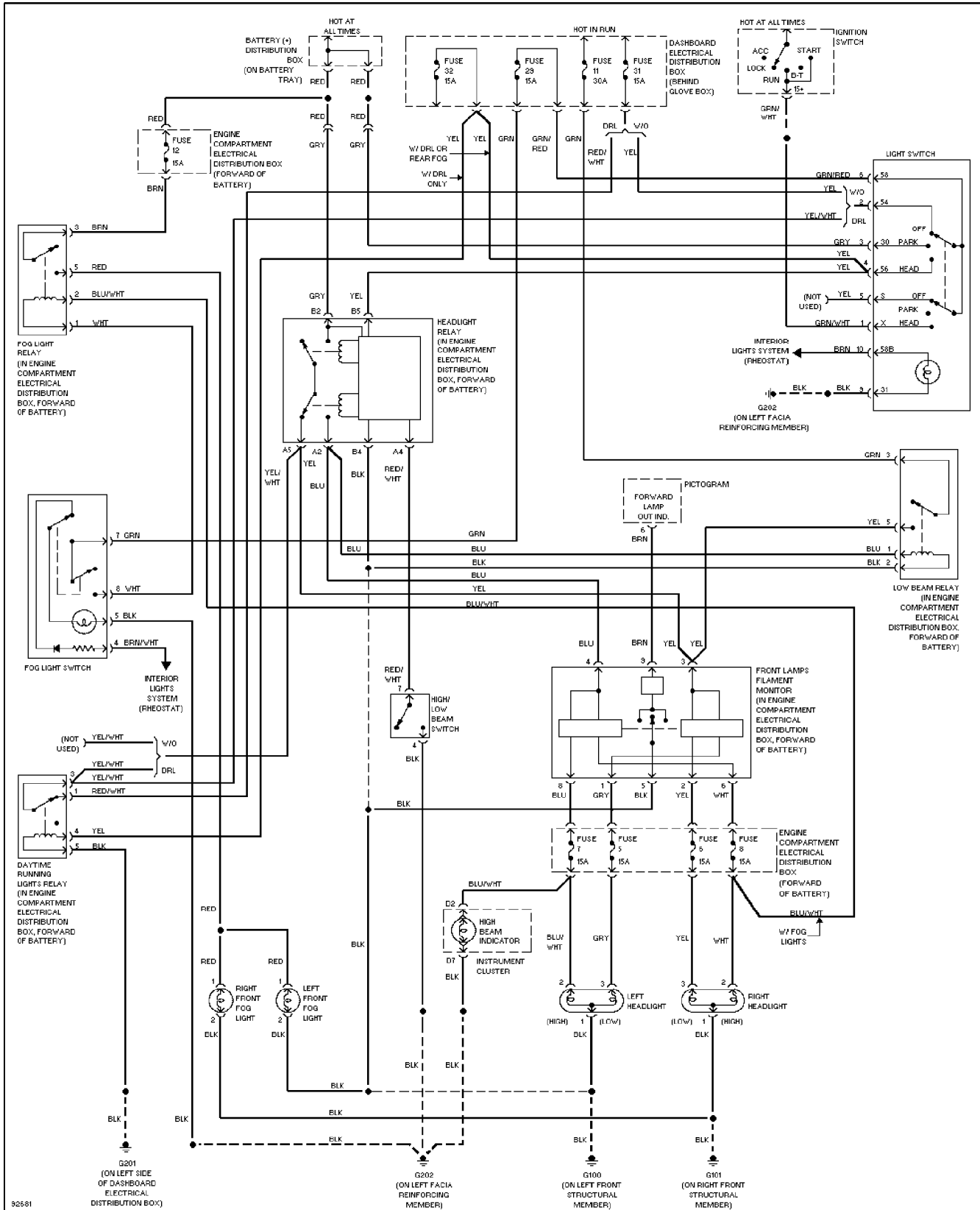


# SYSTEM WIRING DIAGRAMS

## Headlamps/Front Fog Lamps Circuit

1997 Saab 9000

For DIAKOM-AUTO <http://www.diakom.ru> Taganrog support@diakom.ru (8634)315187  
 Copyright © 1998 Mitchell Repair Information Company, LLC  
 Friday, December 15, 2000 02:21PM





# SYSTEM WIRING DIAGRAMS

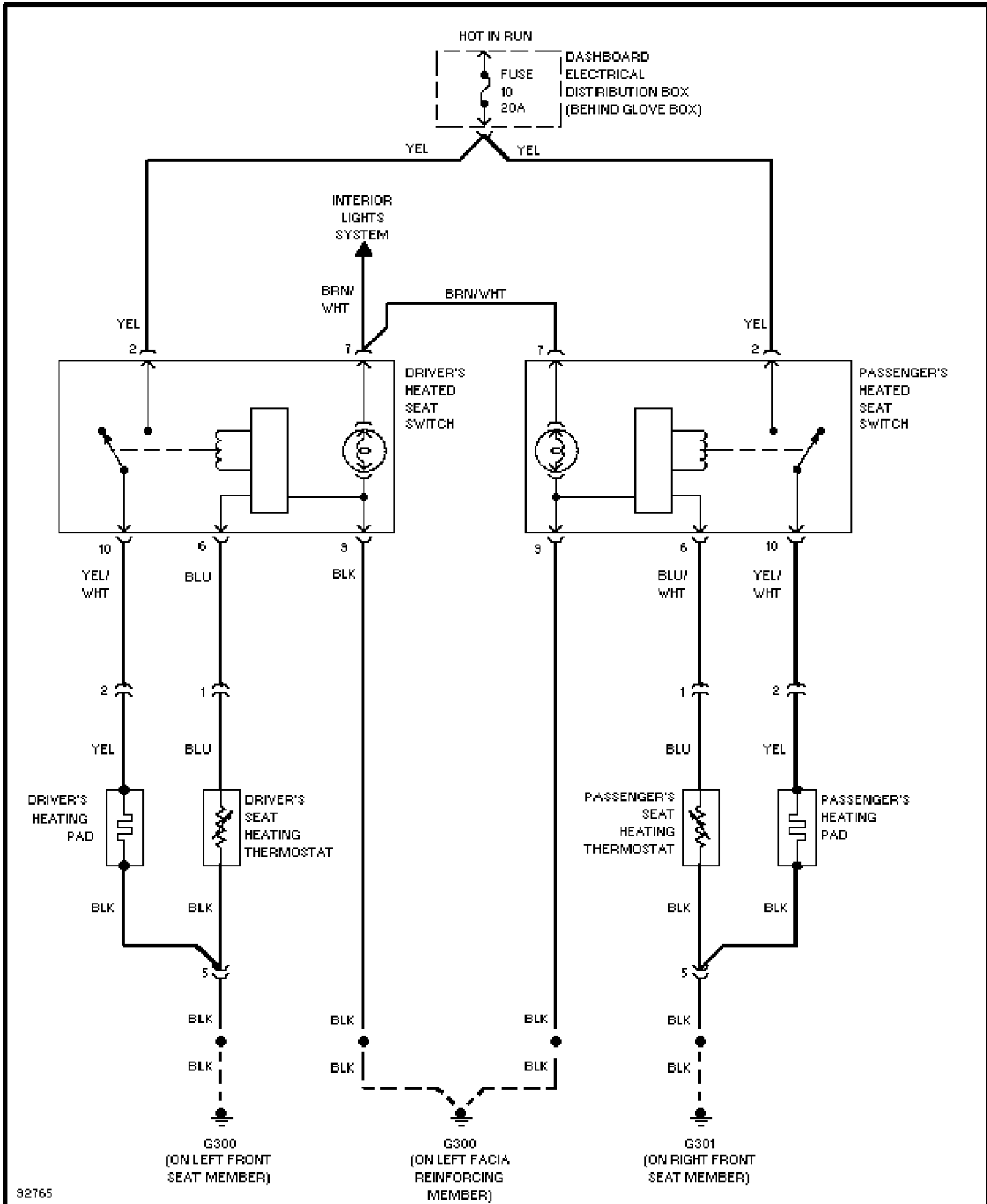
## Heated Seats Circuit

1997 Saab 9000

For DIAKOM-AUTO <http://www.diakom.ru> Taganrog support@diakom.ru (8634)315187

Copyright © 1998 Mitchell Repair Information Company, LLC

Friday, December 15, 2000 02:23PM



# SYSTEM WIRING DIAGRAMS

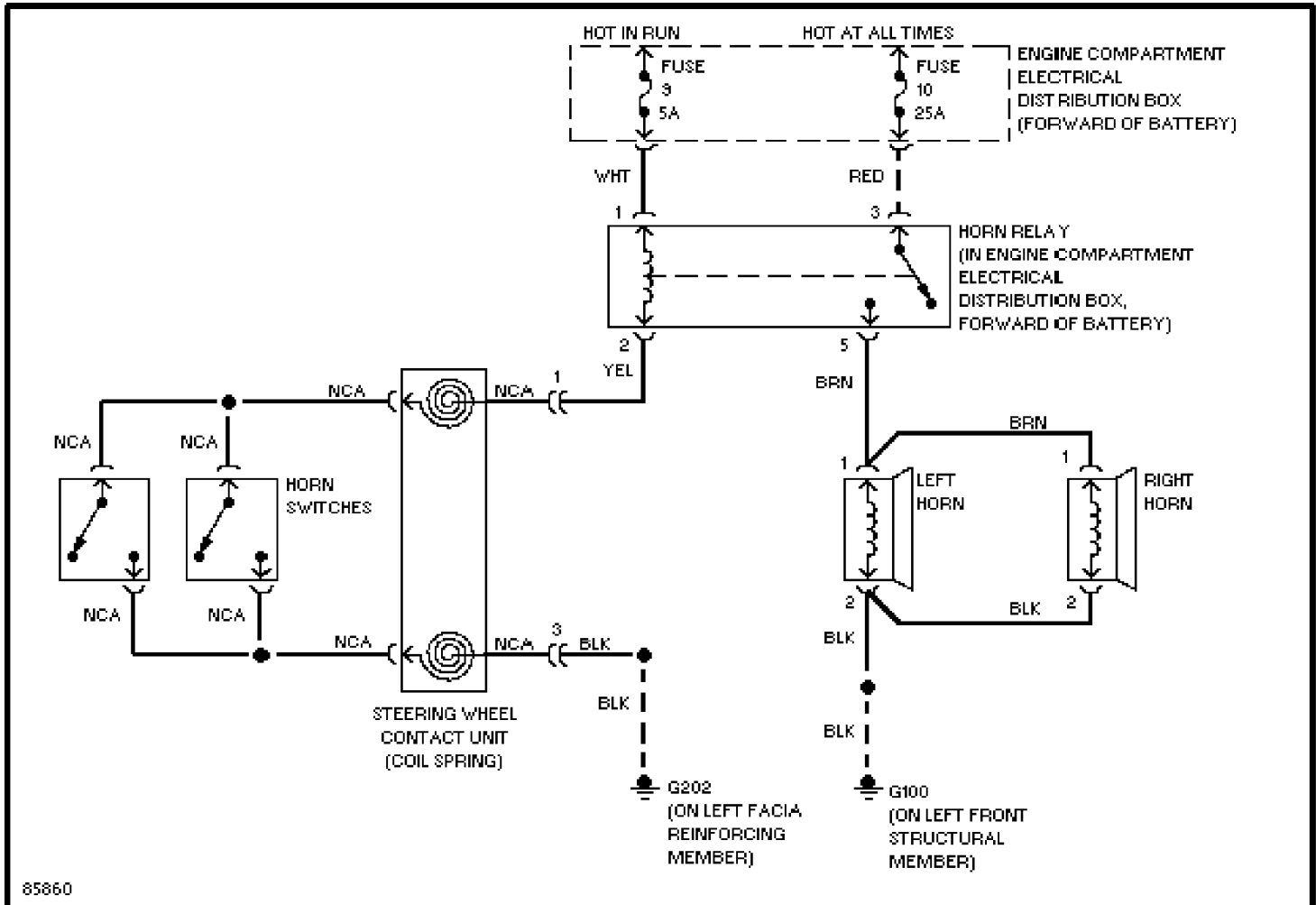
## Horn Circuit

1997 Saab 9000

For DIAKOM-AUTO <http://www.diakom.ru> Taganrog support@diakom.ru (8634)315187

Copyright © 1998 Mitchell Repair Information Company, LLC

Friday, December 15, 2000 02:21PM

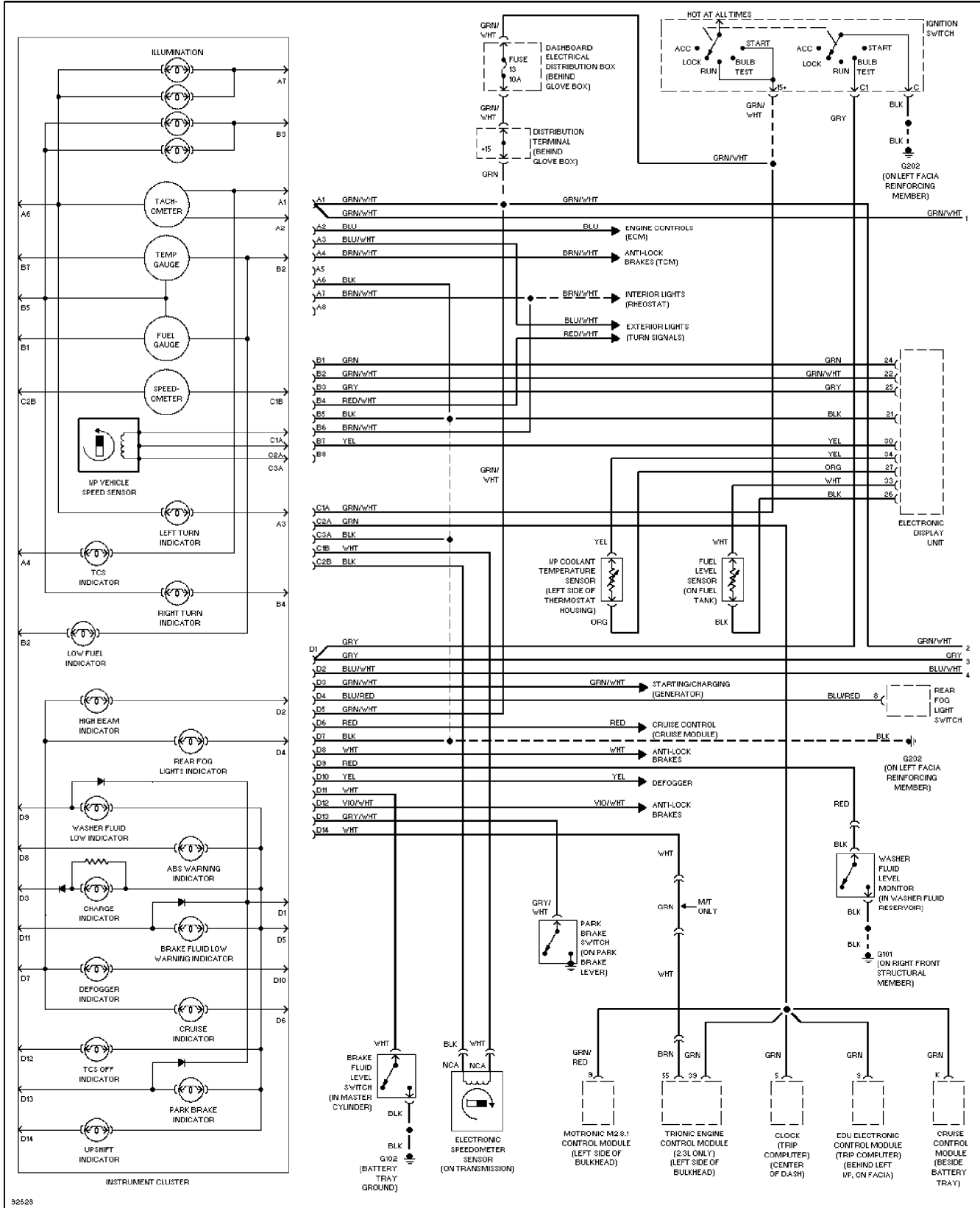


# SYSTEM WIRING DIAGRAMS

## Instrument Cluster & Pictogram Circuit (1 of 2)

1997 Saab 9000

For DIAKOM-AUTO <http://www.diakom.ru> Taganrog support@diakom.ru (8634)315187  
 Copyright © 1998 Mitchell Repair Information Company, LLC  
 Friday, December 15, 2000 02:21PM



# SYSTEM WIRING DIAGRAMS

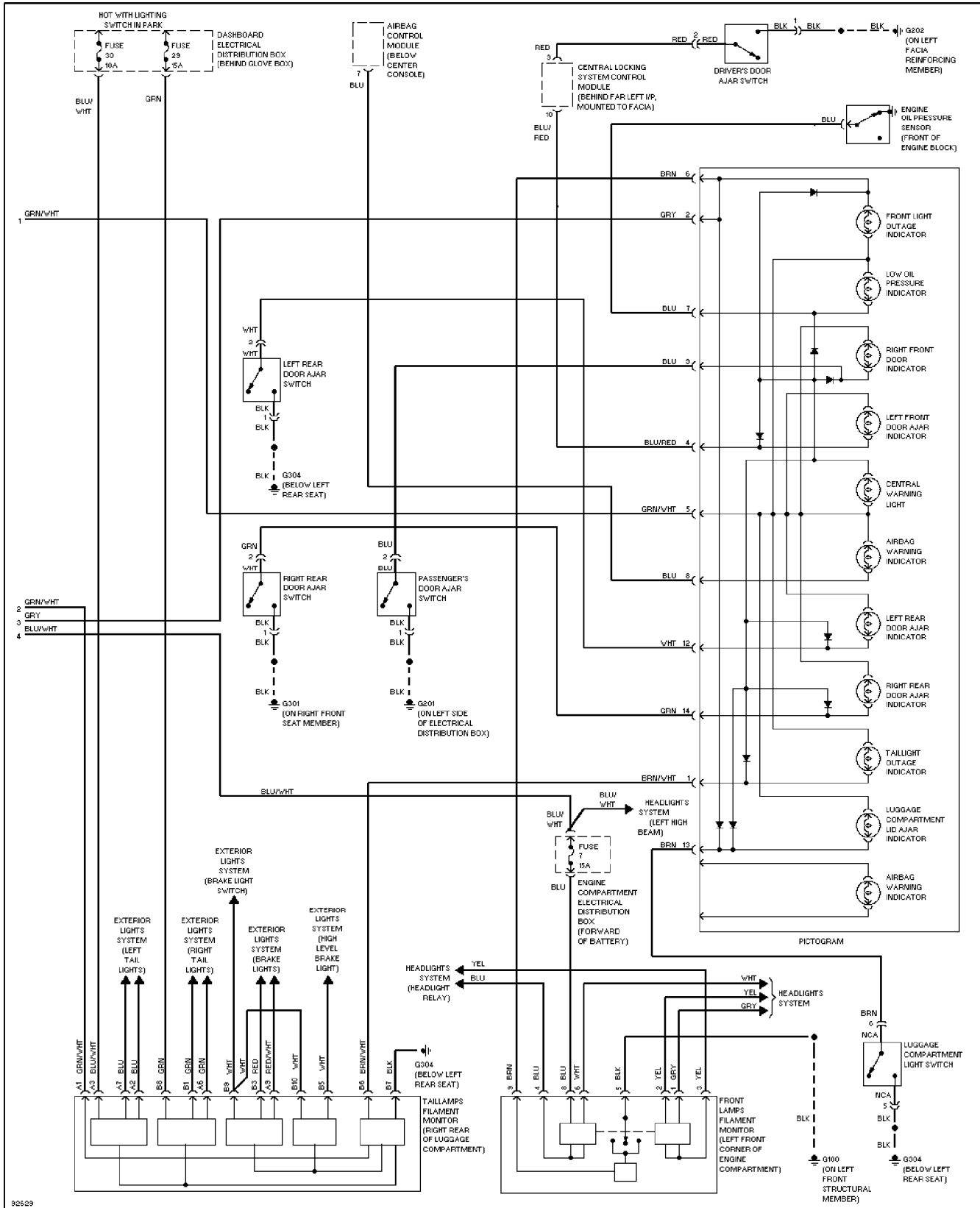
## Instrument Cluster & Pictogram Circuit (2 of 2)

1997 Saab 9000

For DIAKOM-AUTO <http://www.diakom.ru> Taganrog support@diakom.ru (8634)315187

Copyright © 1998 Mitchell Repair Information Company, LLC

Friday, December 15, 2000 02:21PM



# SYSTEM WIRING DIAGRAMS

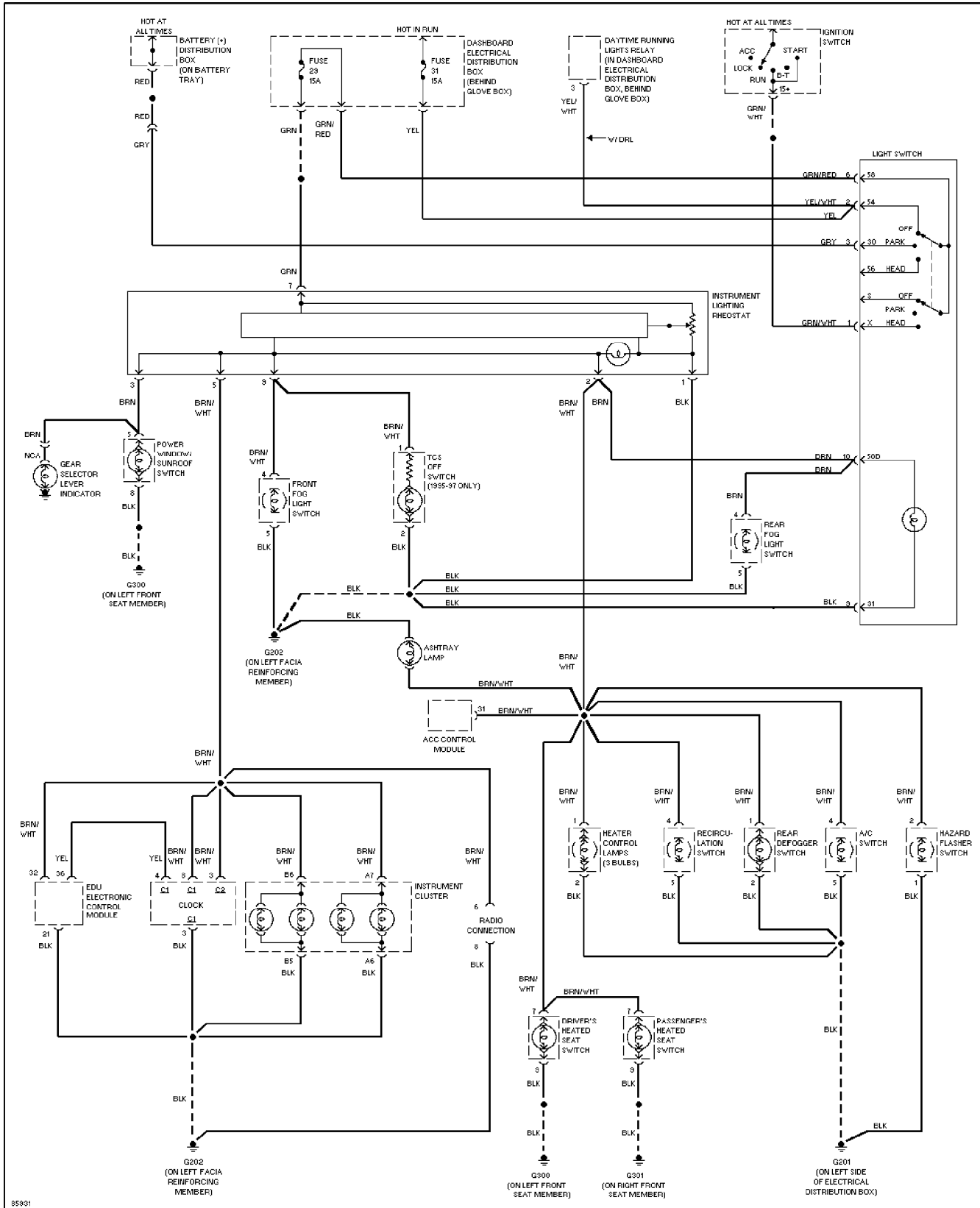
## Instrument Illumination Circuit

1997 Saab 9000

For DIAKOM-AUTO <http://www.diakom.ru> Taganrog support@diakom.ru (8634)315187

Copyright © 1998 Mitchell Repair Information Company, LLC

Friday, December 15, 2000 02:22PM



# SYSTEM WIRING DIAGRAMS

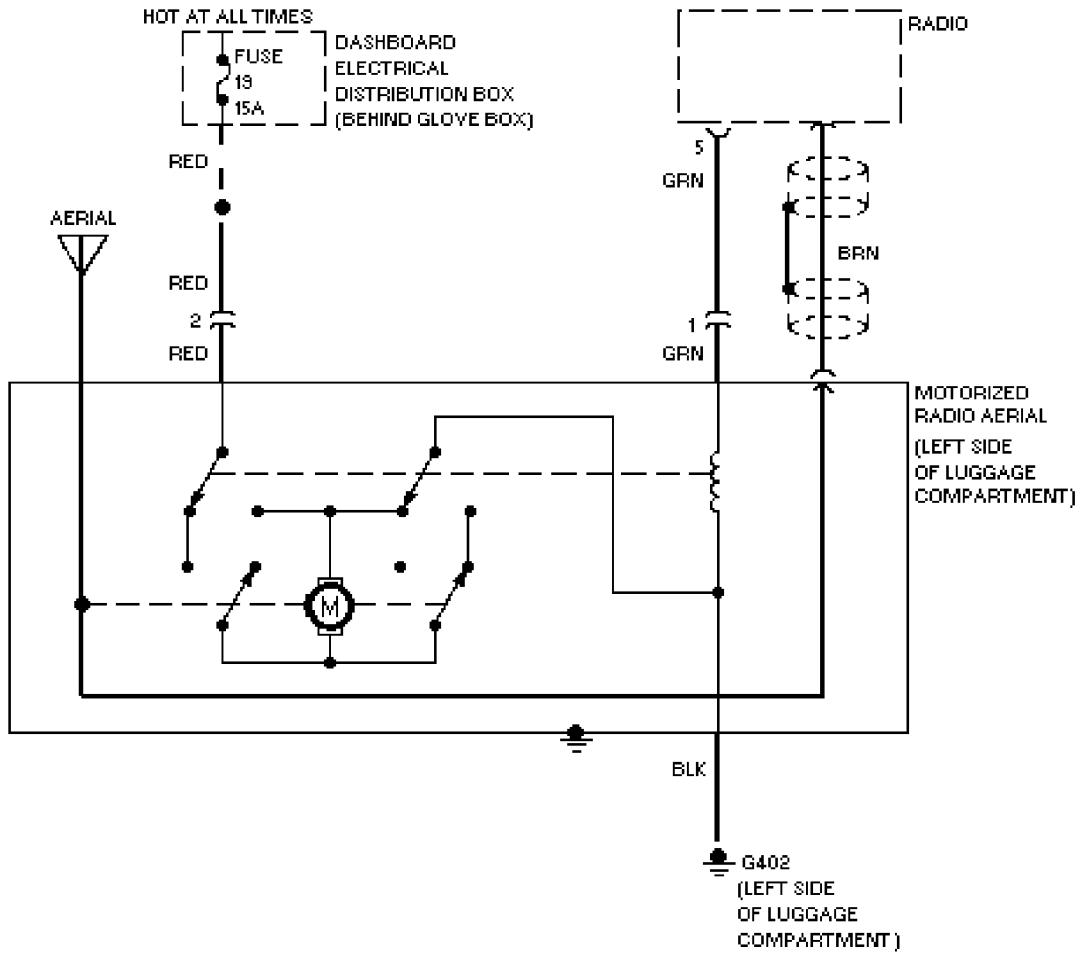
## Power Antenna Circuit

1997 Saab 9000

For DIAKOM-AUTO <http://www.diakom.ru> Taganrog support@diakom.ru (8634)315187

Copyright © 1998 Mitchell Repair Information Company, LLC

Friday, December 15, 2000 02:22PM



# SYSTEM WIRING DIAGRAMS

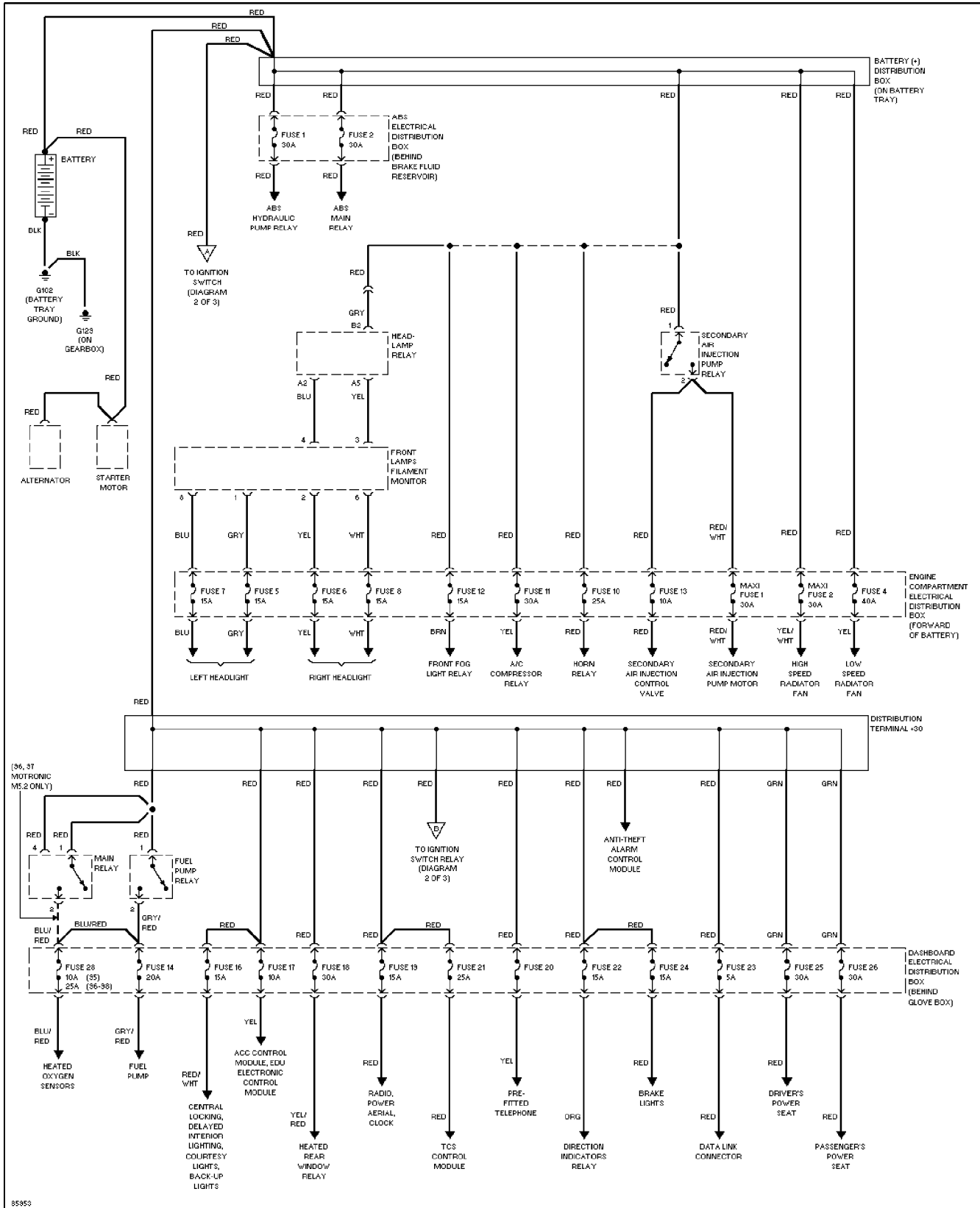
## Power Distribution Circuit (1 of 3)

1997 Saab 9000

For DIAKOM-AUTO <http://www.diakom.ru> Taganrog support@diakom.ru (8634)315187

Copyright © 1998 Mitchell Repair Information Company, LLC

Friday, December 15, 2000 02:22PM



# SYSTEM WIRING DIAGRAMS

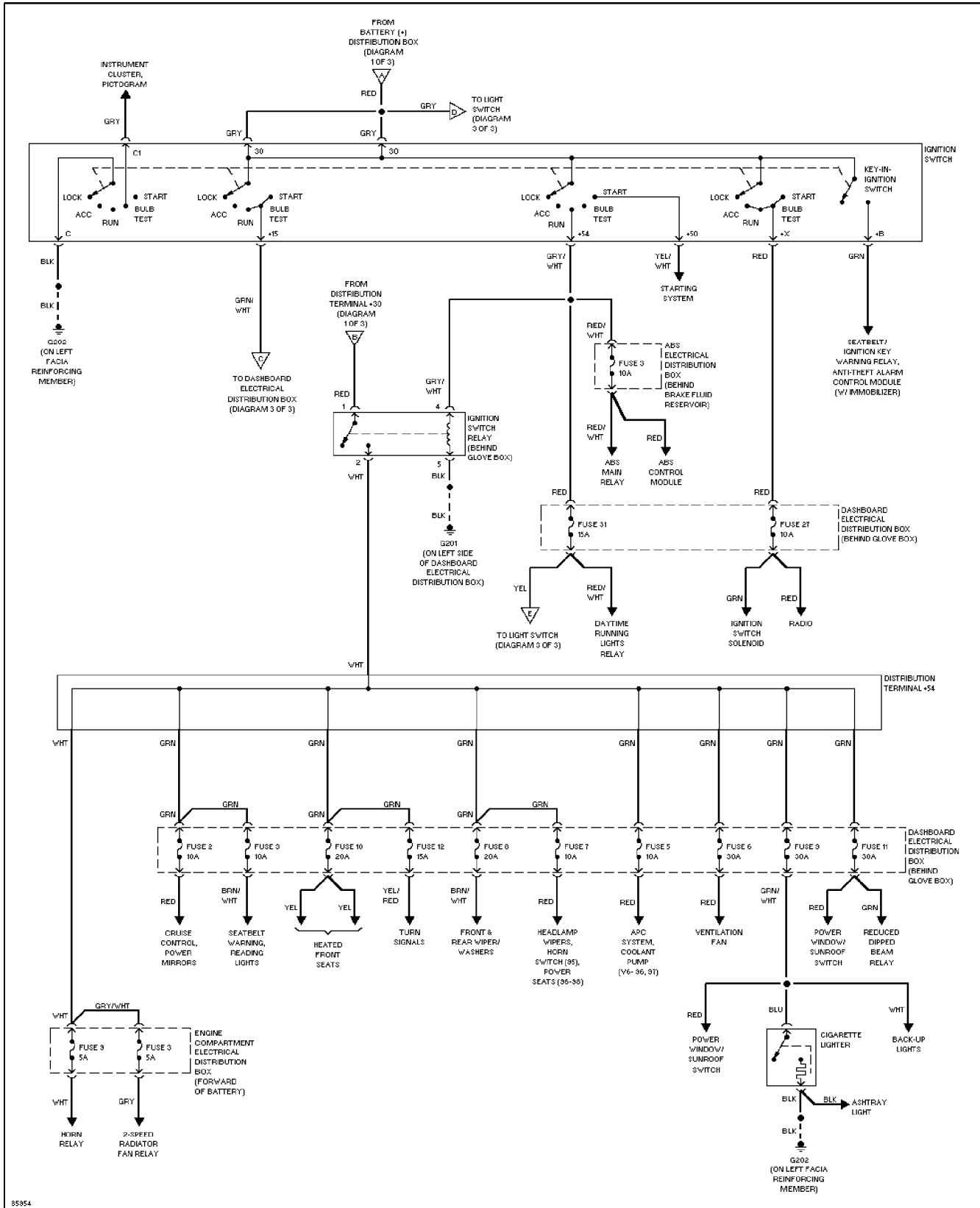
## Power Distribution Circuit (2 of 3)

1997 Saab 9000

For DIAKOM-AUTO <http://www.diakom.ru> Taganrog support@diakom.ru (8634)315187

Copyright © 1998 Mitchell Repair Information Company, LLC

Friday, December 15, 2000 02:22PM





# SYSTEM WIRING DIAGRAMS

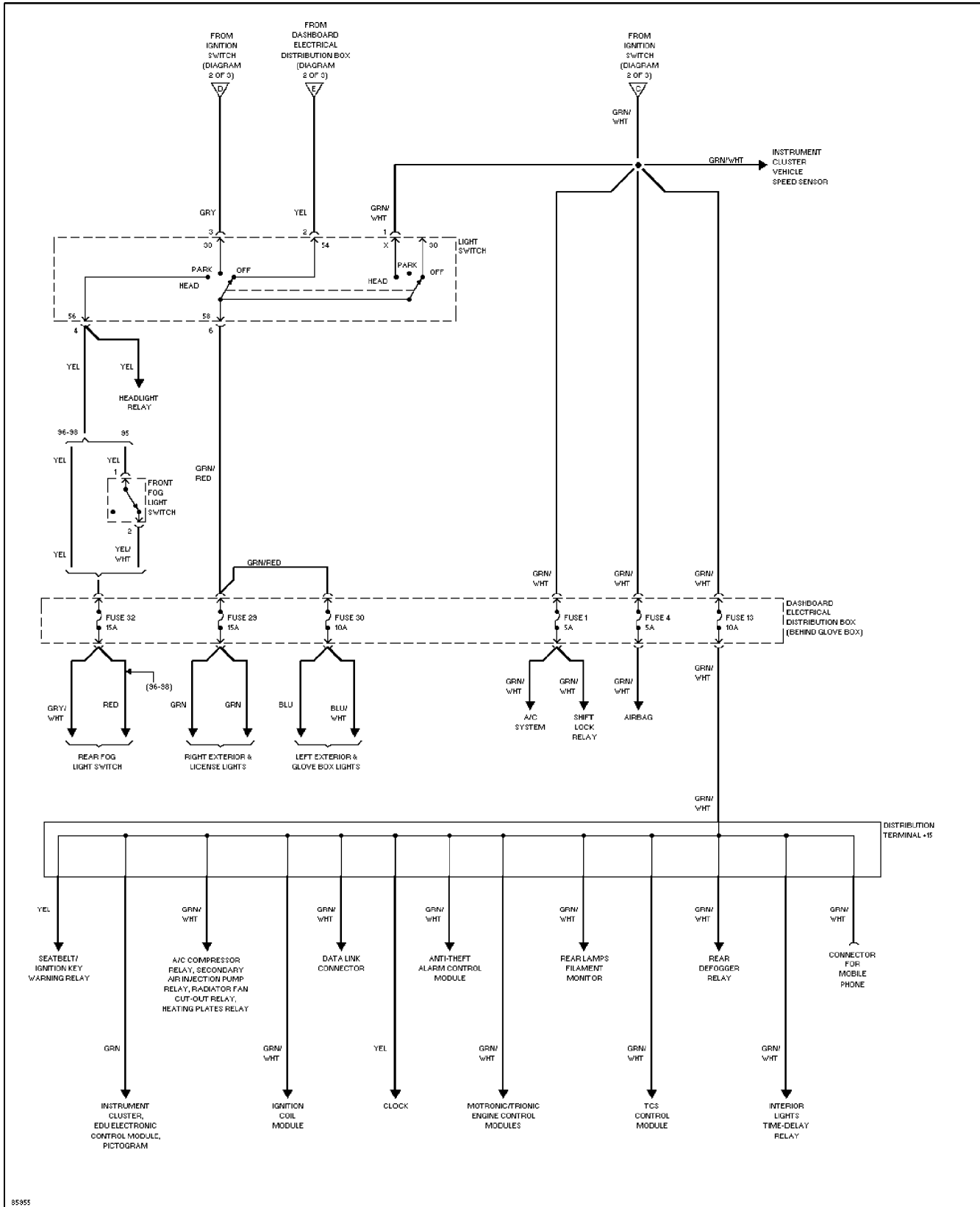
## Power Distribution Circuit (3 of 3)

1997 Saab 9000

For DIAKOM-AUTO <http://www.diakom.ru> Taganrog support@diakom.ru (8634)315187

Copyright © 1998 Mitchell Repair Information Company, LLC

Friday, December 15, 2000 02:23PM



# SYSTEM WIRING DIAGRAMS

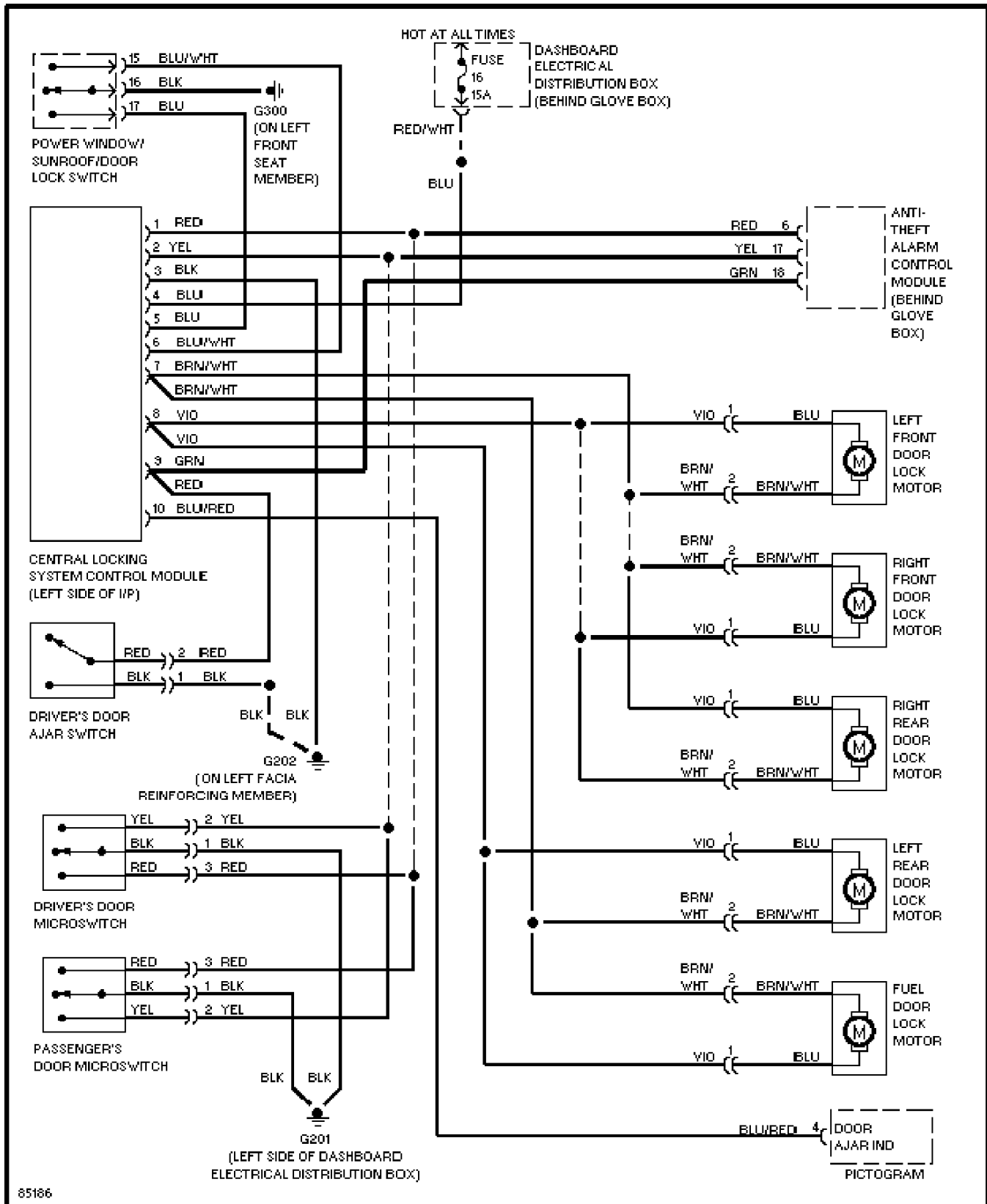
## Power Door Lock Circuit

1997 Saab 9000

For DIAKOM-AUTO <http://www.diakom.ru> Taganrog support@diakom.ru (8634)315187

Copyright © 1998 Mitchell Repair Information Company, LLC

Friday, December 15, 2000 02:23PM



# SYSTEM WIRING DIAGRAMS

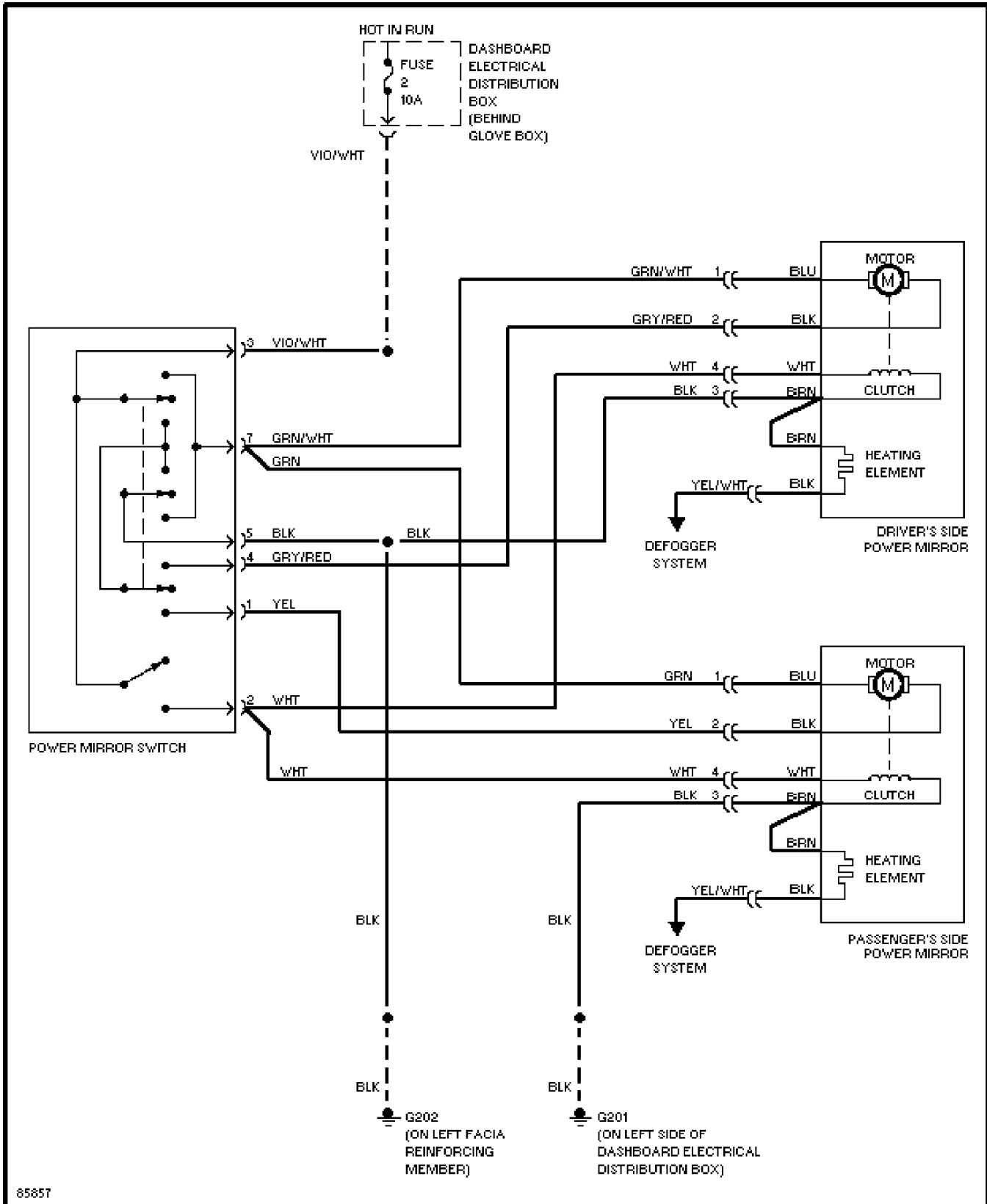
## Power Mirror Circuit

1997 Saab 9000

For DIAKOM-AUTO <http://www.diakom.ru> Taganrog support@diakom.ru (8634)315187

Copyright © 1998 Mitchell Repair Information Company, LLC

Friday, December 15, 2000 02:23PM



# SYSTEM WIRING DIAGRAMS

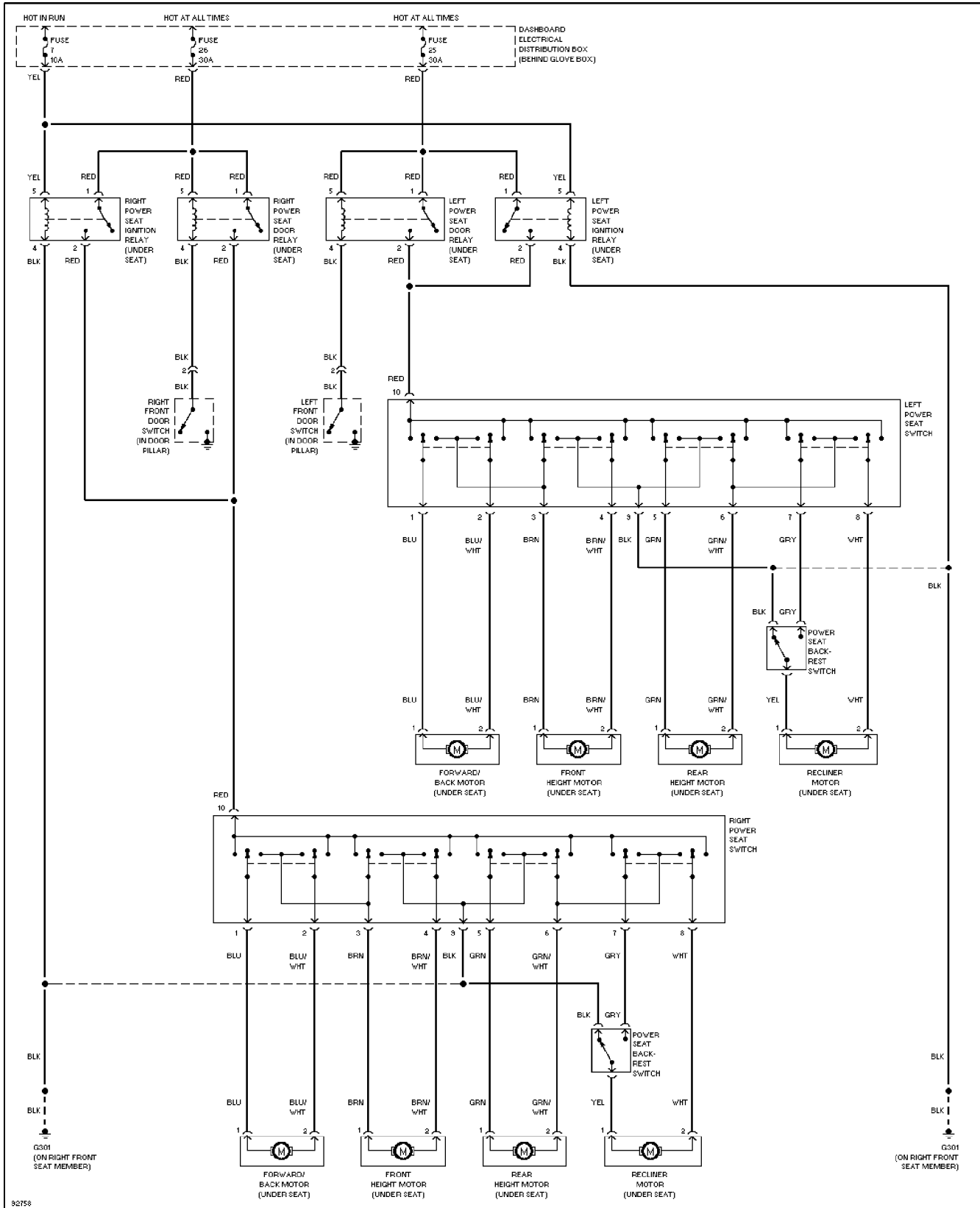
## Power Seats Circuit

1997 Saab 9000

For DIAKOM-AUTO <http://www.diakom.ru> Taganrog support@diakom.ru (8634)315187

Copyright © 1998 Mitchell Repair Information Company, LLC

Friday, December 15, 2000 02:23PM



# SYSTEM WIRING DIAGRAMS

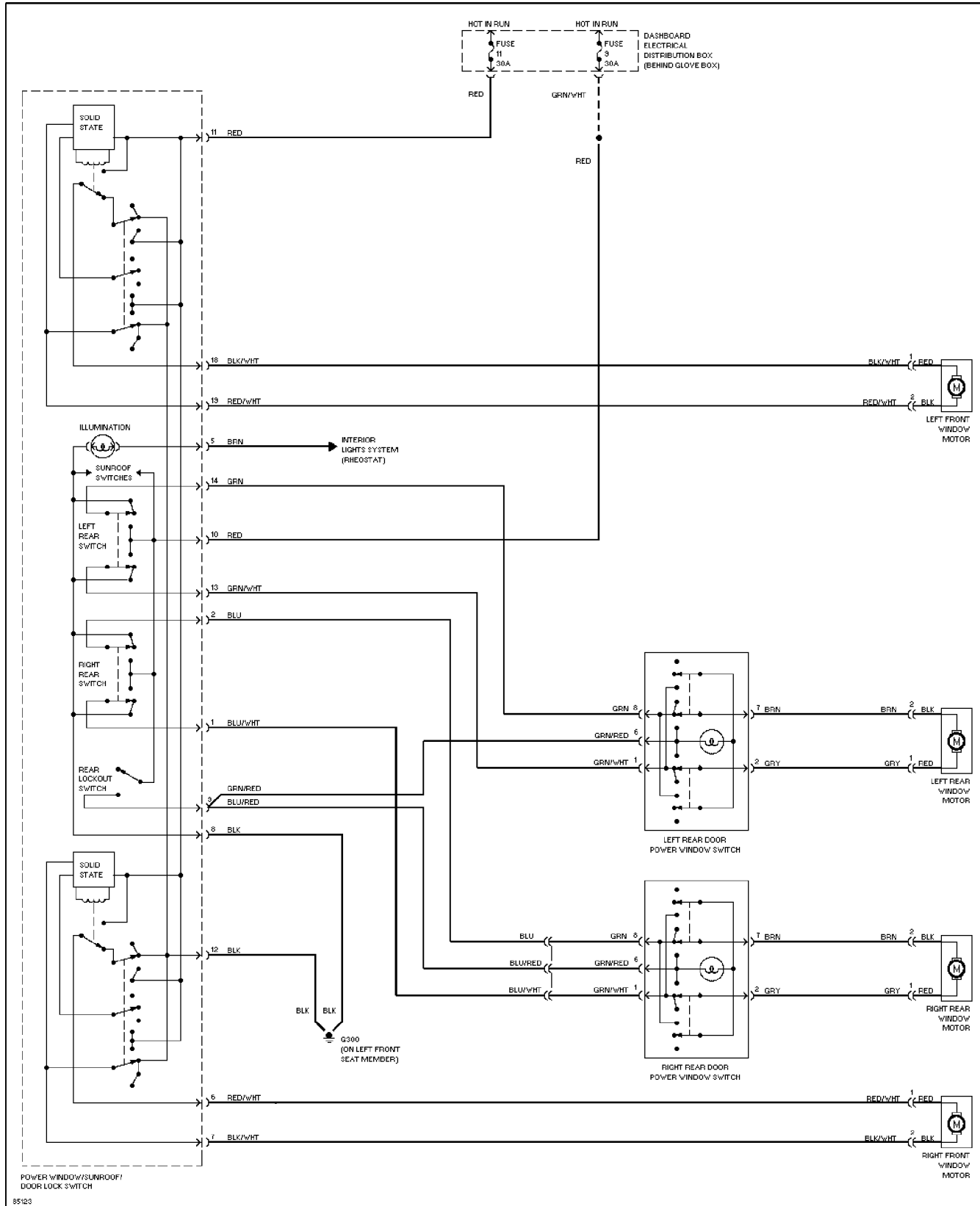
## Power Window Circuit

1997 Saab 9000

For DIAKOM-AUTO <http://www.diakom.ru> Taganrog support@diakom.ru (8634)315187

Copyright © 1998 Mitchell Repair Information Company, LLC

Friday, December 15, 2000 02:23PM



# SYSTEM WIRING DIAGRAMS

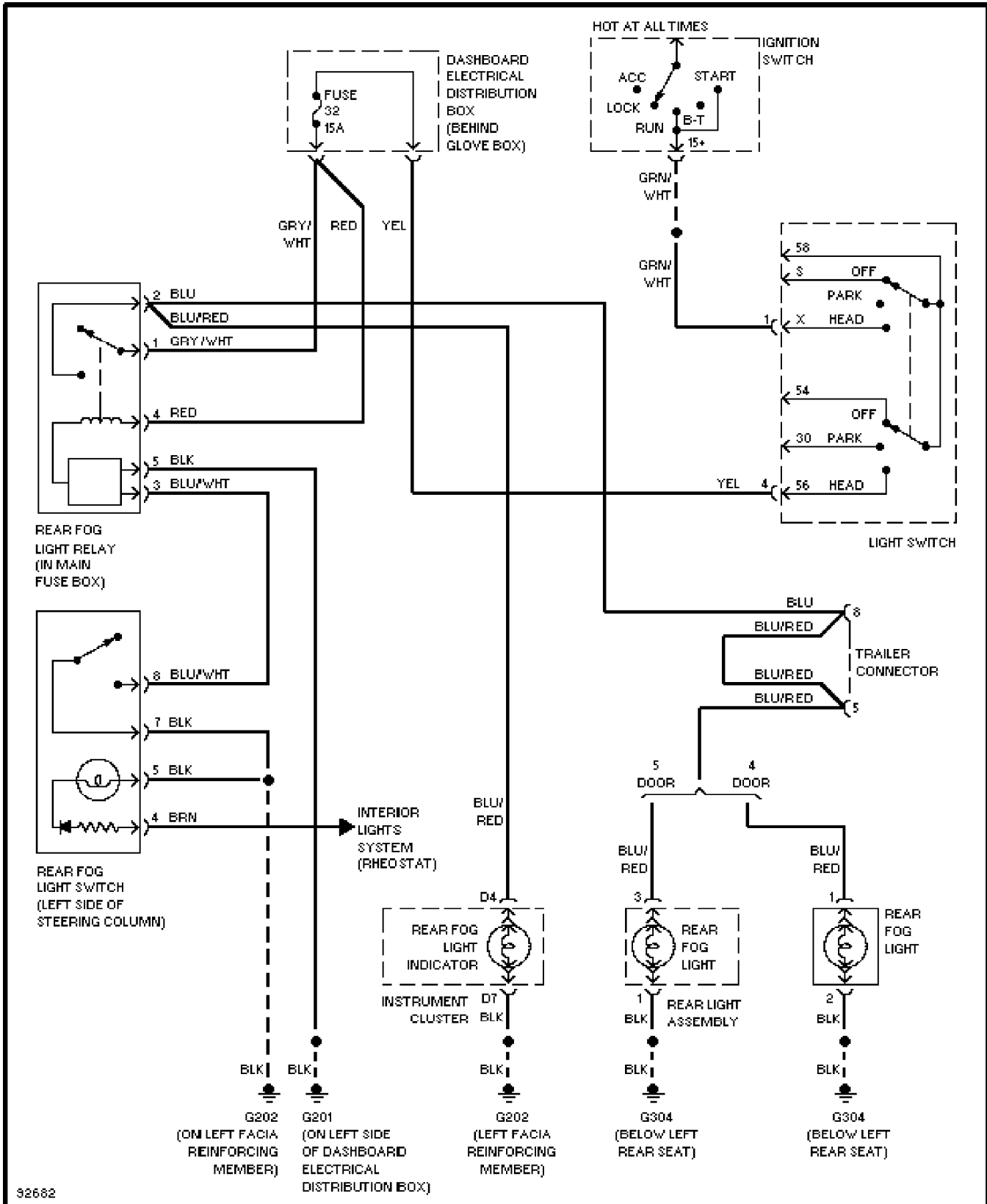
## Rear Fog Lamp Circuit

1997 Saab 9000

For DIAKOM-AUTO <http://www.diakom.ru> Taganrog support@diakom.ru (8634)315187

Copyright © 1998 Mitchell Repair Information Company, LLC

Friday, December 15, 2000 02:21PM



# SYSTEM WIRING DIAGRAMS

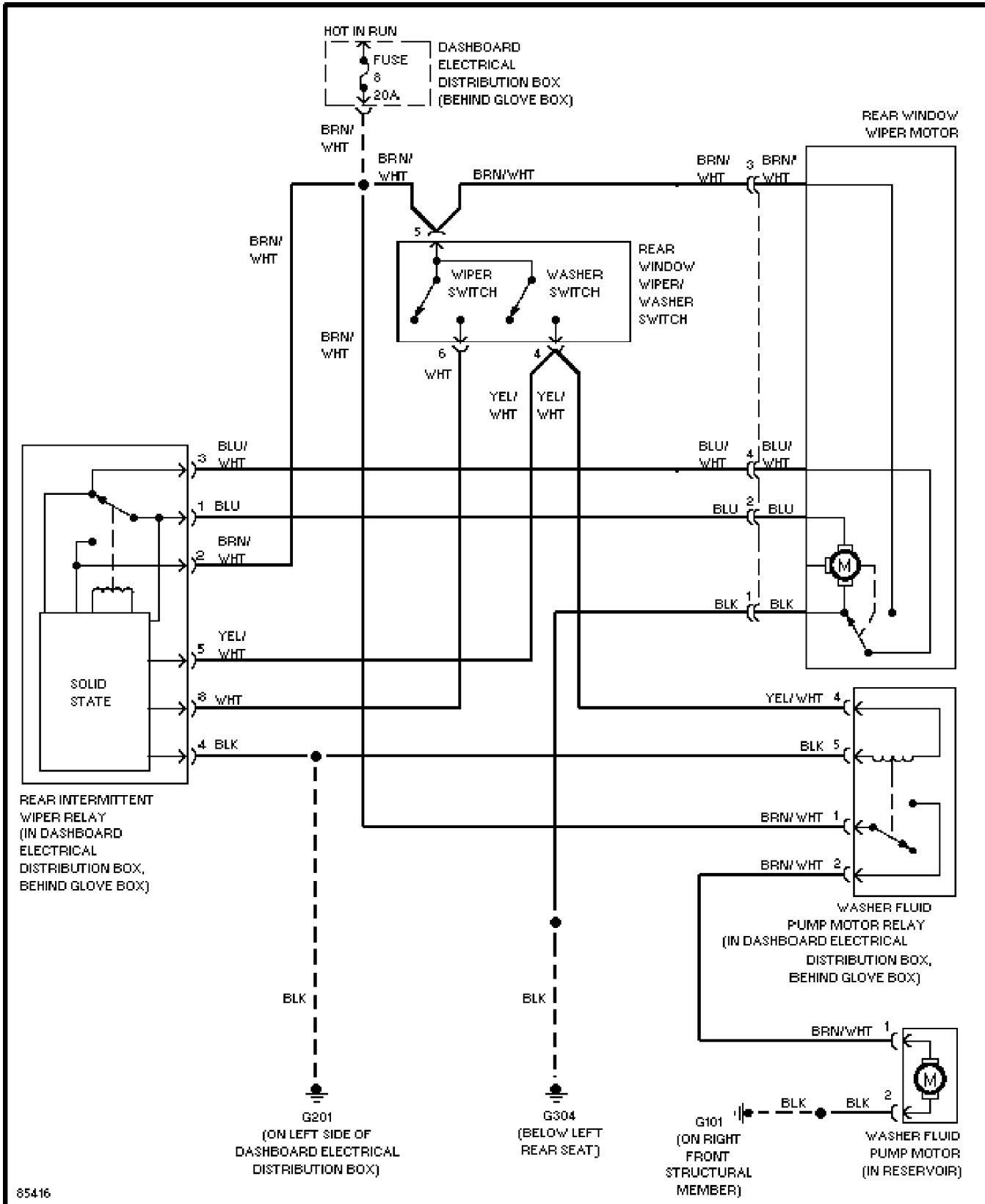
## Rear Wiper/Washer Circuit

1997 Saab 9000

For DIAKOM-AUTO <http://www.diakom.ru> Taganrog support@diakom.ru (8634)315187

Copyright © 1998 Mitchell Repair Information Company, LLC

Friday, December 15, 2000 02:25PM



# SYSTEM WIRING DIAGRAMS

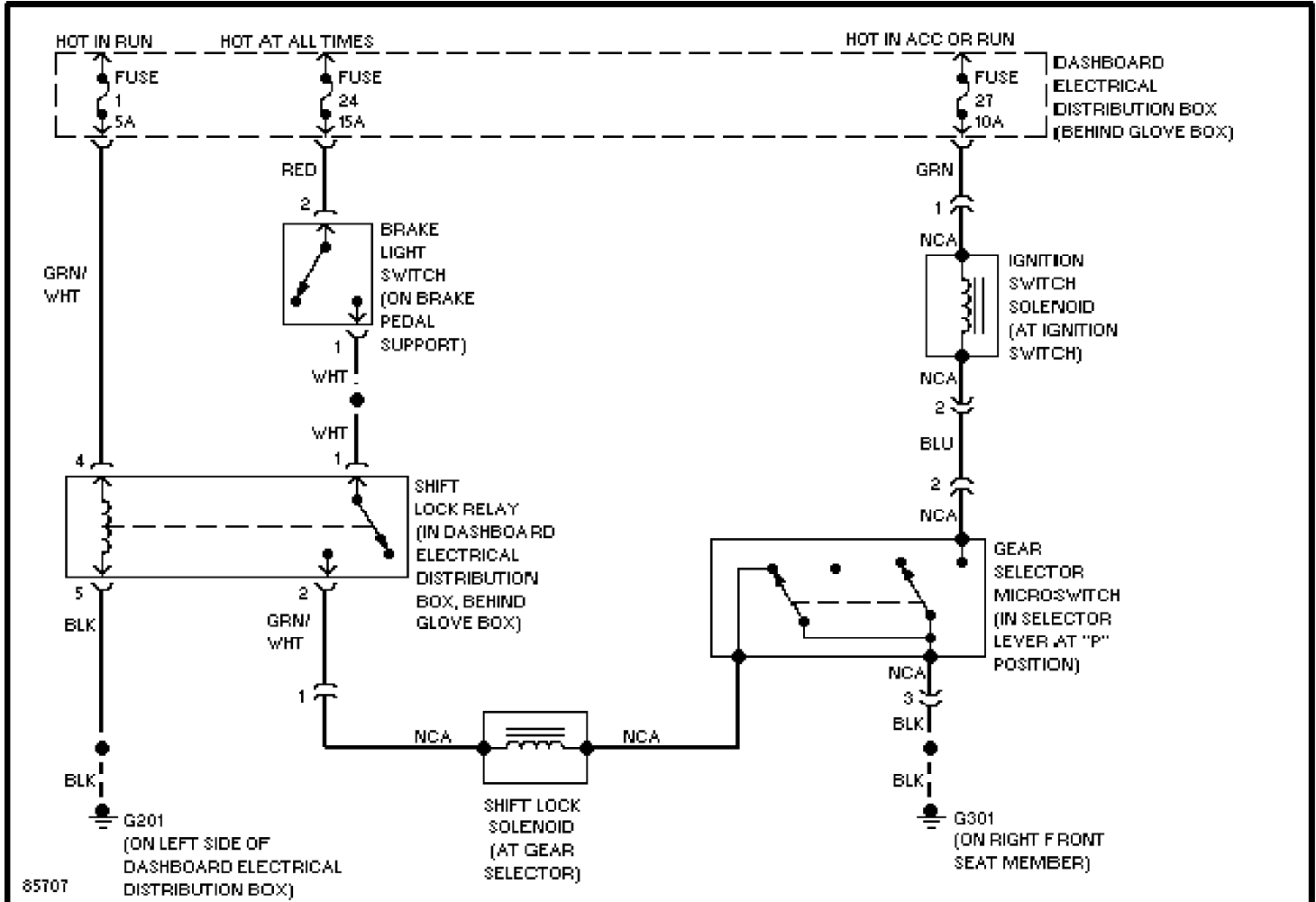
## Shift Interlock Circuit

1997 Saab 9000

For DIAKOM-AUTO <http://www.diakom.ru> Taganrog support@diakom.ru (8634)315187

Copyright © 1998 Mitchell Repair Information Company, LLC

Friday, December 15, 2000 02:24PM





# SYSTEM WIRING DIAGRAMS

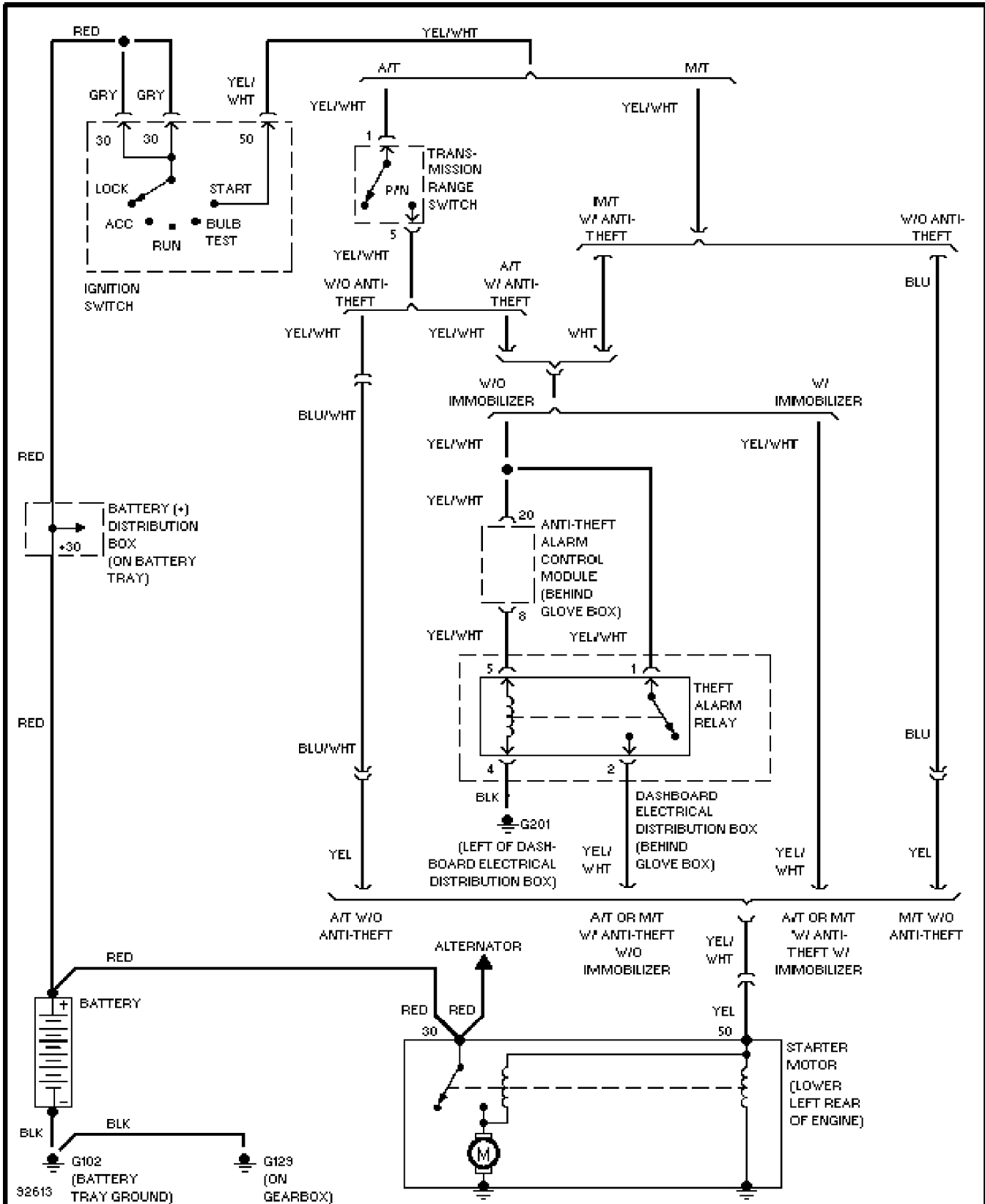
## Starting Circuit

1997 Saab 9000

For DIAKOM-AUTO <http://www.diakom.ru> Taganrog support@diakom.ru (8634)315187

Copyright © 1998 Mitchell Repair Information Company, LLC

Friday, December 15, 2000 02:24PM



# SYSTEM WIRING DIAGRAMS

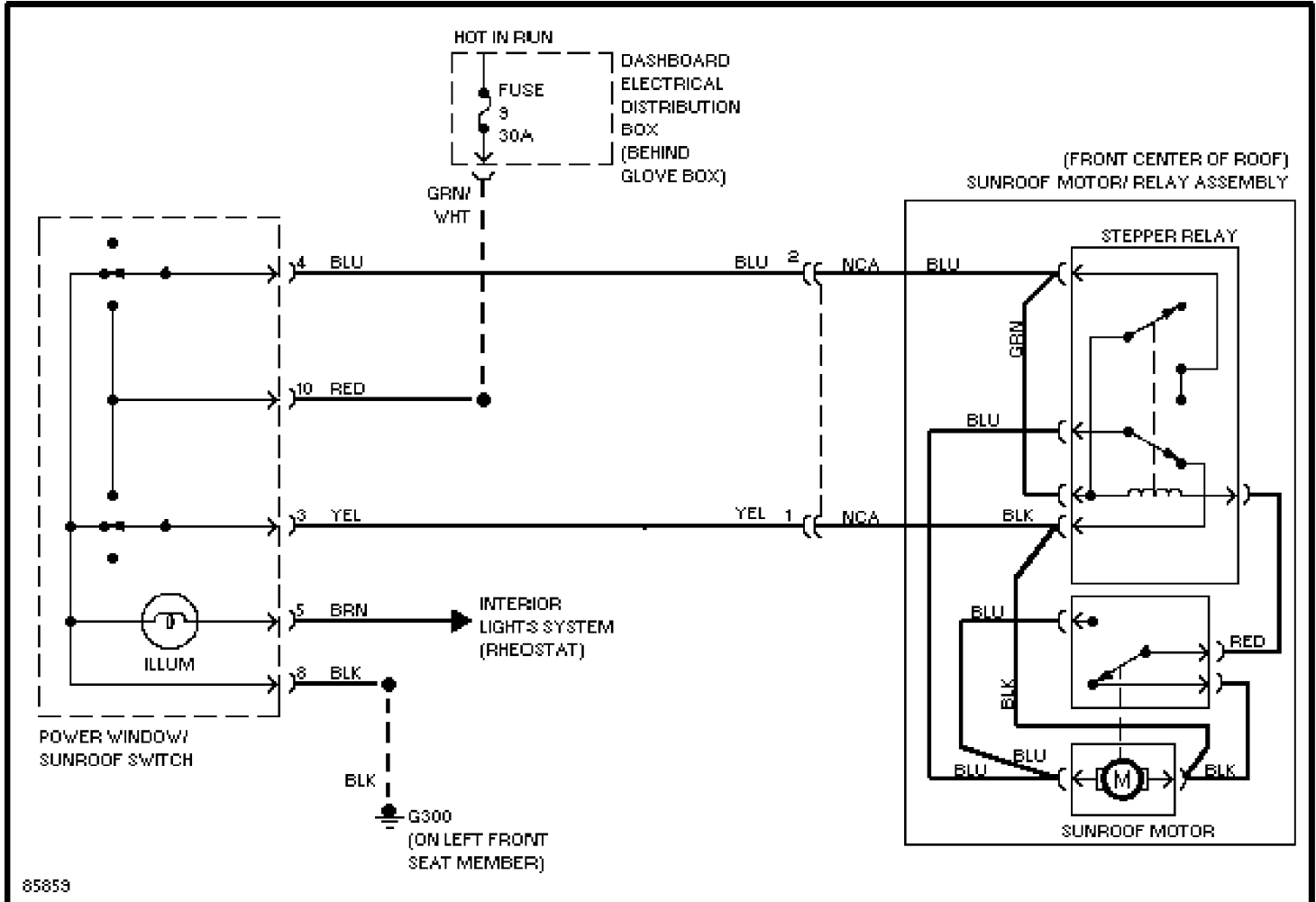
## Sunroof Circuit

1997 Saab 9000

For DIAKOM-AUTO <http://www.diakom.ru> Taganrog support@diakom.ru (8634)315187

Copyright © 1998 Mitchell Repair Information Company, LLC

Friday, December 15, 2000 02:23PM



# SYSTEM WIRING DIAGRAMS

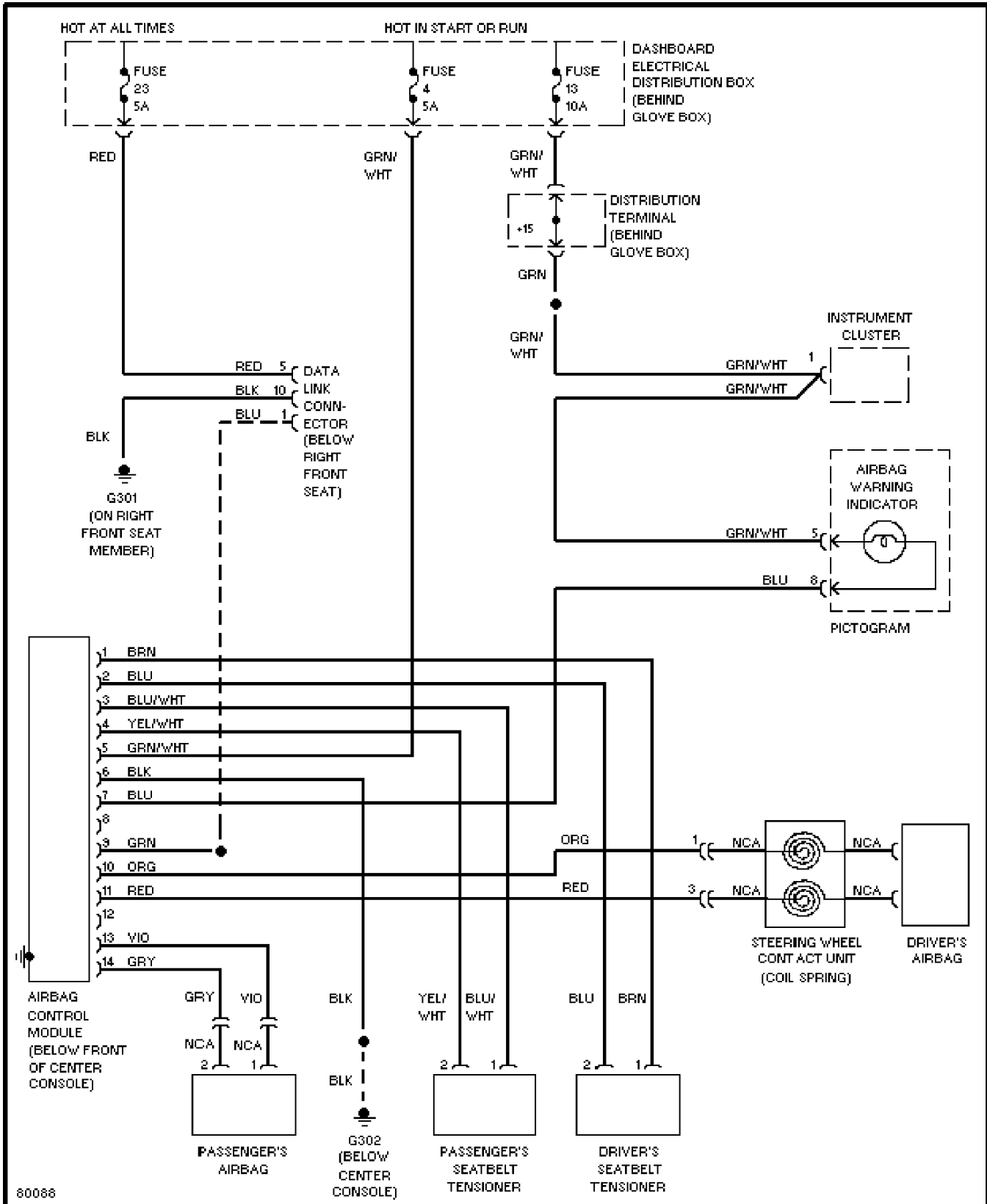
## Supplemental Restraint Circuit

1997 Saab 9000

For DIAKOM-AUTO <http://www.diakom.ru> Taganrog support@diakom.ru (8634)315187

Copyright © 1998 Mitchell Repair Information Company, LLC

Friday, December 15, 2000 02:24PM



# SYSTEM WIRING DIAGRAMS

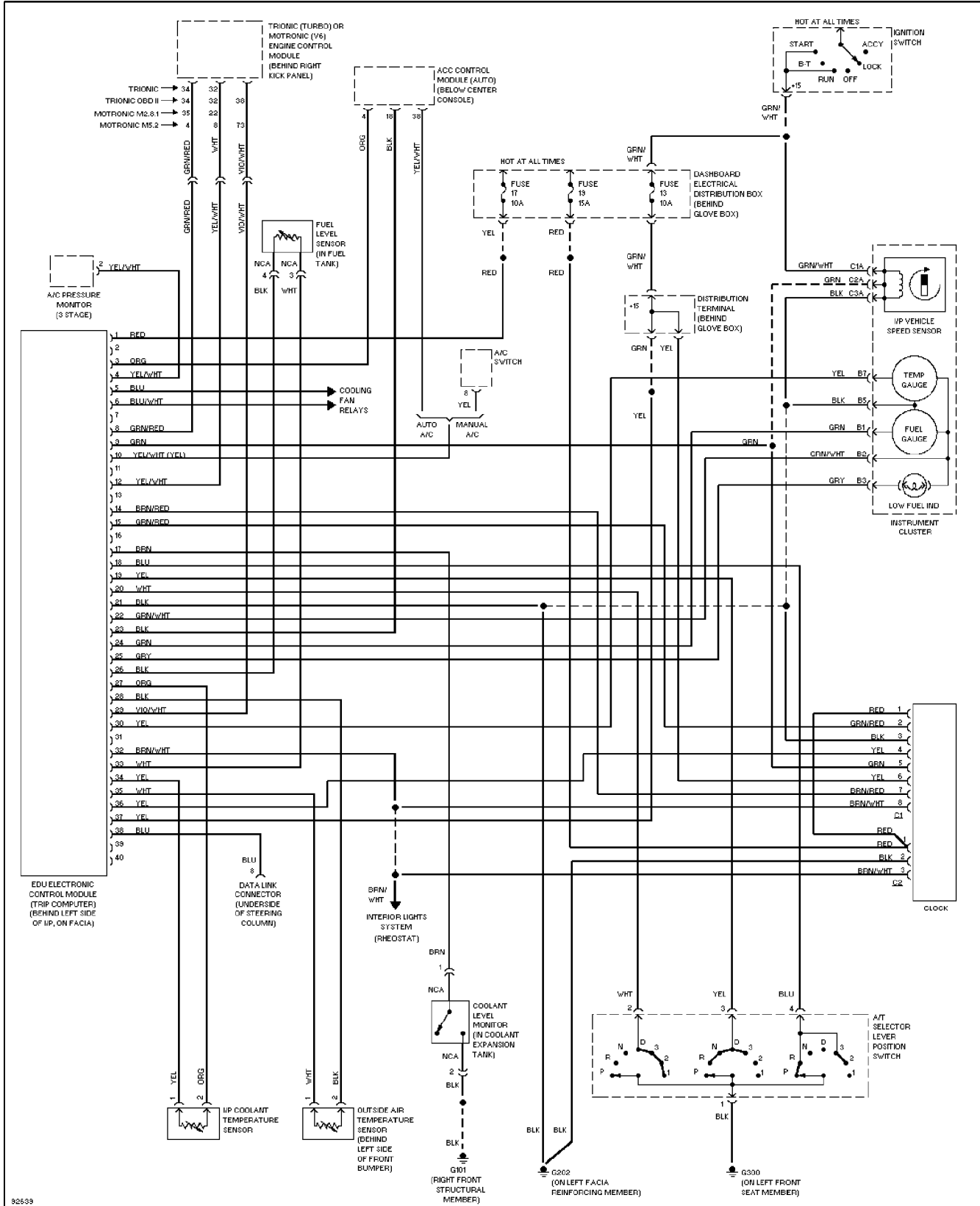
## Trip Computer Circuit

1997 Saab 9000

For DIAKOM-AUTO <http://www.diakom.ru> Taganrog support@diakom.ru (8634)315187

Copyright © 1998 Mitchell Repair Information Company, LLC

Friday, December 15, 2000 02:21PM



# SYSTEM WIRING DIAGRAMS

## Warning System Circuits

1997 Saab 9000

For DIAKOM-AUTO <http://www.diakom.ru> Taganrog support@diakom.ru (8634)315187

Copyright © 1998 Mitchell Repair Information Company, LLC

Friday, December 15, 2000 02:24PM

