



TATA MOTORS

TELCOLINE
EURO II / EURO III
SPARE PARTS LIST
(EXPORT)

Catalogue No.8854 374021 3 • Edition No.SPT - 120 • December 2006

Tata Motors Limited
Mumbai • Jamshedpur • Pune • Lucknow • Thane



TATA MOTORS

CONTENTS	PAGE NO.
PRELIMINARY REMARKS	IV
INSTRUCTIONS	V-VI
ORDERING OF PARTS	VII
ENGINE AND CHASSIS GROUP INDEX	VIII - XI
ENGINE AND CHASSIS PARTS	3 - 381



TATA MOTORS

PRELIMINARY REMARKS

- 1) This catalogue consists of parts for Telcoline Single Cab/Crew Cab, 4x2 & 4x4, Euro II and Euro III versions
- 2) This Catalogue contains 34 versions of Telcoline which are tabulated in the applicability matrix with validity column ref no. for easy understanding
- 3) Please also read the remarks column for correct ordering of parts
- 4) The illustration shown are for ready reference of parts and may not be the exact replica of the part
- 5) Parts fitted on the vehicle are subjected to modification without prior notice
- 6) The word "Optional" in the remarks column against a Part having two or more part numbers indicate that, depending on availability, the part will be supplied under any one of these part nos.
- 7) The word "Selection" in the remarks column against a Part having two or more part numbers indicate that, the parts should be used selectively as per the assembly/fitment requirement
- 8) While ordering parts please indicate -
 - a) Chassis type and chassis no.
 - b) Engine type and Engine no.

This is a publication of TATA Motors Ltd. For any Query please write to :-

Technical Cell,
TATA Motors Limited
Teen Hath Naka,
Gyan Sadhana College Service Road,
Thane-400 604
INDIA

APPLICABILITY MATRIX FOR TELCO LINE VEHICLES										
VCs Included	Col. Ref.	Chassis Type	Drive	Engine Type	Gear Box Type	Steering	DriveType	CabType	AC_HD	Load Body
28262028000L	1	374021	LHD	4DL TCIC Euro II	GBS 76	P.Steering	4X2	SINGLE CAB	AC_HD	With Load Body
28261028000R	2	374021	RHD	4DL TCIC Euro II	GBS 76	P.Steering	4X2	SINGLE CAB	AC_HD	With Load Body
26549528000L	3	374504	LHD	4DL TCIC Euro III	GBS 76	P.Steering	4X2	SINGLE CAB	AC_HD	With Load Body
28262531000R	3	374022	RHD	4DL TCIC Euro II	GBS 76	P.Steering	4X2	SINGLE CAB	AC_HD	W/o LB
28261628000L	4	374501	LHD	4DL TCIC Euro III	GBS 76	P.Steering	4X2	SINGLE CAB	HD	With Load Body
28261628000R	4	374501	RHD	4DL TCIC Euro III	GBS 76	P.Steering	4X2	SINGLE CAB	HD	With Load Body
28261731000L	4	374502	LHD	4DL TCIC Euro III	GBS 76	P.Steering	4X2	SINGLE CAB	HD	W/o LB
28261731000R	4	374502	RHD	4DL TCIC Euro III	GBS 76	P.Steering	4X2	SINGLE CAB	HD	W/o LB
28261828000R	4	374024	RHD	4DL TCIC Euro II	GBS 76	P.Steering	4X2	SINGLE CAB	HD	With Load Body
26532428000L	5	374531	LHD	4DL TCIC Euro III	GBS 76	P.Steering	4X4	SINGLE CAB	HD	With Load Body
26532428000R	5	374531	RHD	4DL TCIC Euro III	GBS 76	P.Steering	4X4	SINGLE CAB	HD	With Load Body
26532628000L	5	374023	LHD	4DL TCIC Euro II	GBS 76	P.Steering	4X4	SINGLE CAB	HD	With Load Body
26532728000L	6	374027	LHD	4DL TCIC Euro II	GBS 76	P.Steering	4X4	SINGLE CAB	AC_HD	With Load Body
26531528000L	7	374534	LHD	4DL TCIC Euro III	GBS 76	P.Steering	4X4	SINGLE CAB	AC_HD	With Load Body
26532528000R	7	374027	RHD	4DL TCIC Euro II	GBS 76	P.Steering	4X4	SINGLE CAB	AC_HD	With Load Body
26532828000R	7	374030	RHD	4DL TCIC Euro II	GBS 76	P.Steering	4X4	SINGLE CAB	AC_HD	W/o LB
26533128000R	7	374027	RHD	4DL TCIC Euro II	GBS 76	P.Steering	4X4	SINGLE CAB	AC_HD	With Load Body



TATA MOTORS

APPLICABILITY MATRIX FOR TELCO LINE VEHICLES

VCs Included	Col. Ref.	Chassis Type	Drive	Engine Type	Gear Box Type	Steering	DriveType	CabType	AC_HD	Load Body
27014731000L	8	374552	LHD	4DL TCIC Euro III	GBS 76	P.Steering	4X2	CREW CAB	AC_HD	With Load Body
28301231000L	8	374054	LHD	4DL TCIC Euro II	GBS 76	P.Steering	4X2	CREW CAB	AC_HD	With Load Body
28301231000R	8	374054	RHD	4DL TCIC Euro II	GBS 76	P.Steering	4X2	CREW CAB	AC_HD	With Load Body
28303331000R	8	374054	RHD	4DL TCIC Euro II	GBS 76	P.Steering	4X2	CREW CAB	AC_HD	With Load Body
28301931000L	9	374551	LHD	4DL TCIC Euro III	GBS 76	P.Steering	4X2	CREW CAB	HD	With Load Body
28302031000R	9	374551	RHD	4DL TCIC Euro III	GBS 76	P.Steering	4X2	CREW CAB	HD	With Load Body
28302231000R	9	374067	RHD	4DL TCIC Euro II	GBS 76	P.Steering	4X2	CREW CAB	HD	With Load Body
28302331000L	10	374067	LHD	4DL TCIC Euro II	GBS 76	P.Steering	4X2	CREW CAB	AC_HD	With Load Body
28302631000R	11	374552	RHD	4DL TCIC Euro III	GBS 76	P.Steering	4X2	CREW CAB	AC_HD	With Load Body
27213731000L	12	374057	LHD	4DL TCIC Euro II	GBS 76	P.Steering	4X4	CREW CAB	AC_HD	With Load Body
27213731000R	12	374057	RHD	4DL TCIC Euro II	GBS 76	P.Steering	4X4	CREW CAB	AC_HD	With Load Body
27214031000L	12	374582	LHD	4DL TCIC Euro III	GBS 76	P.Steering	4X4	CREW CAB	AC_HD	With Load Body
27214031000R	12	374582	RHD	4DL TCIC Euro III	GBS 76	P.Steering	4X4	CREW CAB	AC_HD	With Load Body
27214431000R	12	374084	RHD	4DL TCIC Euro II	GBS 76	P.Steering	4X4	CREW CAB	AC_HD	W/o LB
27214331000R	13	374069	RHD	4DL TCIC Euro II	GBS 76	P.Steering	4X4	CREW CAB	AC_HD	With Load Body
27213531000L	14	374581	LHD	4DL TCIC Euro III	GBS 76	P.Steering	4X4	CREW CAB	HD	With Load Body
27214131000R	14	374581	RHD	4DL TCIC Euro III	GBS 76	P.Steering	4X4	CREW CAB	HD	With Load Body

Abrivations used : Ch.Type - Chassis Type AC_HD - Air conditioning and heating demisting W/o LB - Without Load body P.Steering - Power steering TCIC - Turbo Intercooler

TATA MOTORS

INTRODUCTION

WHEN ORDERING PARTS, PLEASE INDICATE

Chassis Type and Chassis Number

Engine Type and Engine Number

Part No. — See Column "PART NUMBER"

Precise Description — See Column "DESCRIPTION"

WHEN ORDERING PARTS FOR AGGREGATES, PLEASE INDICATE THE UNIT NUMBER

Gear Box Unit No. — At Transmission Housing Lateral Left Rear

Rear Axle Unit No. — Punched on Rear Axle Housing Top

Steering Unit No. — Punched on Steering Housing

ENGINE GROUP INDEX

GROUP	TABLE	DESCRIPTION	PAGE	GROUP	TABLE	DESCRIPTION	PAGE	
01	01.1	Engine Complete	3	15	14.4	Exhaust Gas Regulator (EGR)	67	
	01.2	Half Block	5		15.1	Engine Electrical Equipment (Non-A/c)	69	
	01.3	Engine Gasket Kit	7	18	15.2	Engine Electrical Equipment (with A/c)	71	
	01.4	Engine Gasket Kit	17		18.1	Engine Lubrication	73	
	01.5	Cylinder Block	21		20	20.1	Engine Cooling	77
		01.6	Cylinder Head and Cover	27	23	23.1	AC and Power Strg. Pump Mtg.	81
		01.7	Oil Separator Arrangement	39		23.2	Power Steering Drive (Non A/c)	83
03	03.1	Moving Parts	41	24	24.1	Engine Suspension	85	
05	05.1	Engine Timing	47	25	25.1	Clutch	87	
07	07.1	Fuel Injection Equipment	49					
	07.2	Fuel Injector	53					
09	09.1	Fuel Filter (MICO)	55					
	09.2	Fuel Filter (Lucas)	57					
	09.3	Air Filter	59					
14	14.1	Inlet & Exhaust Manifold	61					
	14.2	Turbocharger	63					
	14.3	Intercooler (Double Pipe)	65					

ENGINE GROUP INDEX

GROUP	TABLE	DESCRIPTION	PAGE	GROUP	TABLE	DESCRIPTION	PAGE
26	26.1	Gear Box	89	35	33.2	Front Axle (4 x 4)	165
	26.2	Gear and Shafts	97		33.3	Hub Lock Assy.	173
	26.3	Gear Shifting Arrangement (G-76)	109		35.1	Rear Axle	175
	26.4	Adaptor Housing	115	40	40.1	Wheel Rim & Spare Wheel Carrier	179
28	28.1	Transfer Case	117	41	41.1	Propeller Shaft (4 x 2)	181
29	29.1	Clutch Controls	127	41.2	Propeller Shaft (4 x 4)	183	
	29.2	Repair Kits - CMC & CSC (Brakes India)	131	42	42.1	Front Wheel (Disc) Brake (Brakes India)	185
29.3	Repair Kits - CMC & CSC (KBX)	135	42.2		Rear Wheel Brake (Brakes India)	189	
30	30.1	Accelerator Pedal	139	42.3	Tandem Master Cylinder (Brakes India)	193	
31	31.1	Frame (Single Cab, 4x2 & 4x4)	143	42.4	Front Wheel Disc Brake (KBX)	197	
	31.2	Frame (Crew Cab, 4x2 & 4x4)	147	42.5	Rear Wheel Brake (KBX)	199	
32	32.1	Front Suspension	151	42.6	Tandem Master Cylinder (KBX)	205	
	32.2	Front Anti-Roll Bar	155	42.7	Vacuum Booster	209	
	32.3	Rear Spring	157	42.8	Parking Brake (Console Mounted)	211	
	32.4	Rear Shock Absorber	159	42.9	Hydraulic Brake Lines RHD	213	
33	33.1	Front Axle (4 x 2)	161				

CHASSIS GROUP INDEX

GROUP	TABLE	DESCRIPTION	PAGE	GROUP	TABLE	DESCRIPTION	PAGE	
46	42.10	Hydraulic Brake Lines LHD	217	60	60.4	Assy. Body Shell Complete (Crew Cab)	283	
	46.1	Steering Linkages	219		60.5	Sheet Metal Parts (Single Cab)	289	
	46.2	Steering Wheel & Mounting	221		60.6	Sheet Metal Parts (Crew Cab)	291	
	46.3	Power Steering Aggregates	225		60.7	Sheet Metal Parts (Single Cab)	293	
	46.4	Power Steering Pipelines RHD	227		60.8	Sheet Metal Parts (Crew Cab)	295	
46.5	Power Steering Pipelines LHD	229	60.9		Sheet Metal Parts	297		
47	47.1	Fuel System	231		67	67.1	Wind Shield Glass	299
49	49.1	Exhaust System	239		68	68.1	Dash Board	301
50	50.1	Radiator	241		68	68.2	Console	305
54	54.1	Electrical Equipment	243		70	70.1	Assy. Load Body (Single Cab)	307
	54.2	Electrical Equipment	249	70.2	Assy. Load Body (Crew Cab)	313		
	54.3	Electrical Equipment	253	70.3	Tail Gate Locking System	321		
	54.4	Wiring Harness	257	72	72.1	Door	323	
60	60.1	Assy. Single Cab Complete	263		72.2	Door (Locking System)	327	
	60.2	Assy. Cab Complete (Crew Cab)	269		72.3	Door Glass & Window Regulator	329	
	60.3	Assy. Body Shell Complete (Single Cab)	277	73	73.1	Rear Door (Crew Cab)	331	

CHASSIS GROUP INDEX

GROUP	TABLE	DESCRIPTION	PAGE	GROUP	TABLE	DESCRIPTION	PAGE
	73.2	Rear Door Glass & Window Regulator	333				
	73.3	Rear Door Locking System	335				
81	81.1	Internal & External Fitments	339				
	81.2	Internal & External Fitments	345				
	81.3	Internal & External Fitments	349				
82	82.1	Wind Shield Wiping System	353				
83	83.1	Heating & Demisting	357				
	83.2	AC + Heating & Demisting System	361				
	83.3	Ventilation & Control	371				
88	88.1	Bonnet	375				
	88.2	Bumper	377				
89	89.1	Body Mounting	379				
91	91.1	Seats & Seat Belts	381				

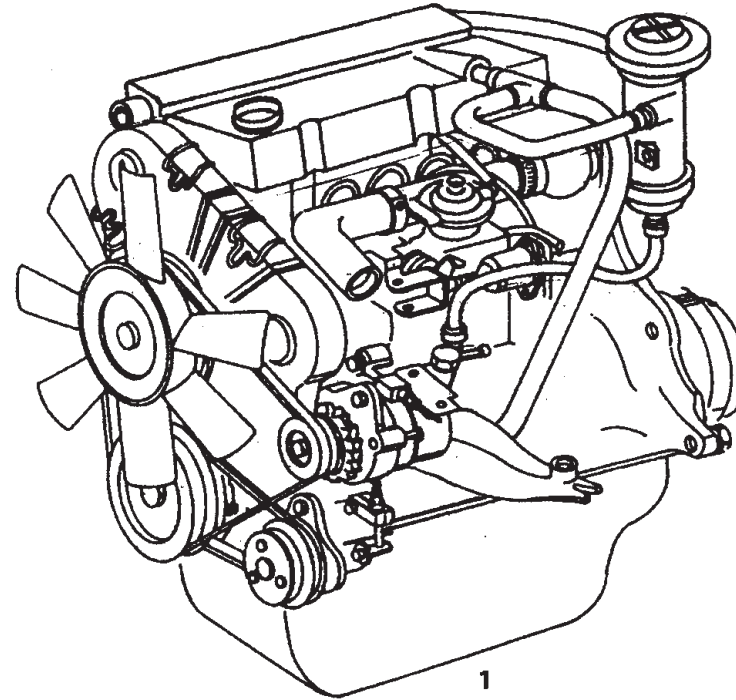


TABLE 01.1

ENGINE COMPLETE

GROUP 01

FIG. NO.	PART NUMBER	DESCRIPTION	SINGLE CAB							CREW CAB							R/L	REMARKS	
			4 x 2				4 x 4			4 x 2				4 x 4					
			AC HD 1	AC HD 2	AC HD 3	HD 4	HD 5	AC HD 6	AC HD 7	AC HD 8	HD 9	AC HD 10	AC HD 11	AC HD 12	AC HD 13	HD 14			
1	2547 0000 01 49	ENGINE COMPLETE Assy 4DL TCIC Engine Complete With Clutch, AC,HD and P.Strg. Euro II		1	1						1	1			1	1		R	Euro II
1	2547 0000 01 64	Assy 4DL TCIC Engine Complete With Clutch, AC,HD and P.Strg. Euro II	1						1		1		1		1			L	Euro II
1	2527 0000 02 88	Assy 4DL TCIC Engine Complete With Clutch, AC,HD and P.Strg. Euro III			1				1	1			1	1				R	Euro III
1	2527 0000 02 82	Assy 4DL TCIC Engine Complete With Clutch, AC,HD and P.Strg. Euro III											1					L	Euro III
1	2547 0000 01 65	Assy 4DL TCIC Engine Complete With Clutch, HD and P.Strg. Euro II						1										L	Euro II
1	2547 0000 01 60	Assy 4DL TCIC Engine Complete With Clutch, HD and P.Strg. Euro II				1						1						R	Euro II
1	2527 0000 02 78	Assy 4DL TCIC Engine Complete With Clutch, HD and P.Strg. Euro III						1									1	R	Euro III
1	2547 0000 02 75	Assy 4DL TCIC Engine Complete With Clutch, HD and P.Strg. Euro III				1	1					1					1	L	Euro III
1	2547 0100 03 63	Assy 4DL TCIC Engine Complete With Clutch, AC,HD and P.Strg. Euro II								1	1							R	Euro II

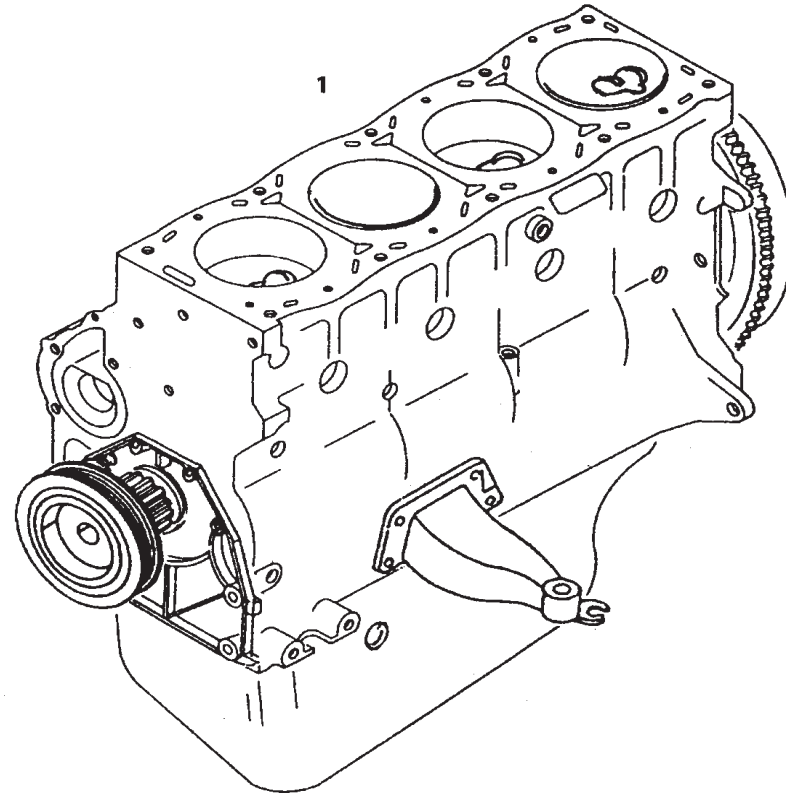


TABLE 01.2

HALF BLOCK

GROUP 01

FIG. NO.	PART NUMBER	DESCRIPTION	SINGLE CAB							CREW CAB							R/L	REMARKS
			4 x 2				4 x 4			4 x 2				4 x 4				
			AC HD 1	AC HD 2	AC HD 3	HD 4	HD 5	AC HD 6	AC HD 7	AC HD 8	HD 9	AC HD 10	AC HD 11	AC HD 12	AC HD 13	HD 14		
1	2547 0199 01 49	HALF BLOCK Half Block (4 DL TC)	1	1	1	1	1	1	1	1	1	1	1	1	1			
2	2547 0199 01 48	Bare Engine (4 DL TC)	1	1	1	1	1	1	1	1	1	1	1	1	1			

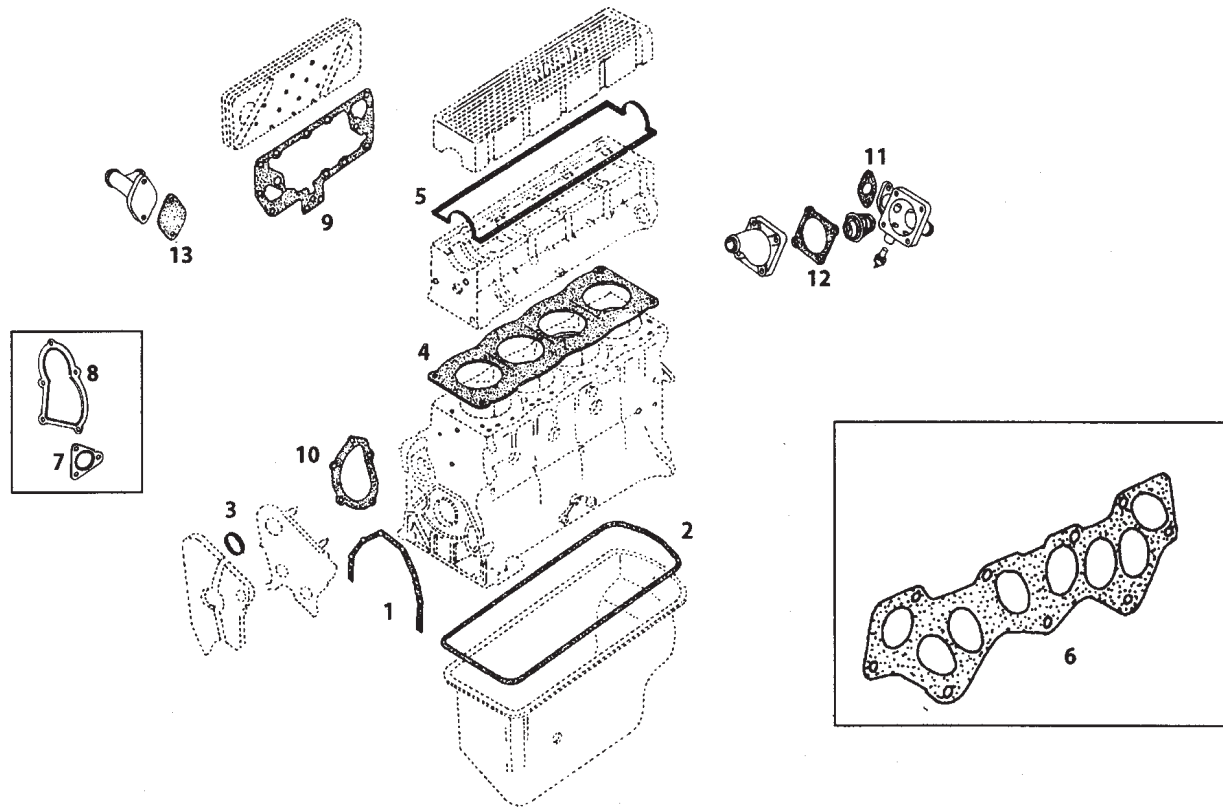


TABLE 01.3

ENGINE GASKET KITS

GROUP 01

FIG. NO.	PART NUMBER	DESCRIPTION	SINGLE CAB						CREW CAB						R/L	REMARKS	
			4 x 2			4 x 4			4 x 2			4 x 4					
			AC HD 1	AC HD 2	AC HD 3	HD 4	HD 5	AC HD 6	AC HD 7	AC HD 8	HD 9	AC HD 10	AC HD 11	AC HD 12			AC HD 13
--	2547 0099 01 14	ENGINE GASKET KITS															
		Engine Overhaul Gasket Kit Euro III	1		1	1	1			1	1	1			1	1	1
1		Gasket Front Cover	1		1	1	1			1	1	1			1	1	1
2		Oil Sump Gasket (1 Thk)	1		1	1	1			1	1	1			1	1	1
2		Oil Sump Gasket (1 Thk)	1		1	1	1			1	1	1			1	1	1
2		Oil Sump Gasket (1 Thk)	1		1	1	1			1	1	1			1	1	1
3		Grommet (Front Cover)	3		3	3	3			3	3	3			3	3	3
3		Grommet (Front Cover)	1		1	1	1			1	1	1			1	1	1
4		Cyl.Head Gasket-MLS 1.51 Thk	1		1	1	1			1	1	1			1	1	1
4		Cyl.Head Gasket-MLS 1.63 Thk	1		1	1	1			1	1	1			1	1	1
5		Gasket-Cyl.Head Cover	1		1	1	1			1	1	1			1	1	1
6		Gasket (Inlet-Ex.Manifold)	1		1	1	1			1	1	1			1	1	1
7		Gasket (Turbine Inlet)	1		1	1	1			1	1	1			1	1	1
8		Gasket(Turbine Outlet)	1		1	1	1			1	1	1			1	1	1
9		Combined Gasket (Oil Cooler/Cover)	1		1	1	1			1	1	1			1	1	1
10		Gasket (Water Pump)	1		1	1	1			1	1	1			1	1	1
10		Gasket (Water Pump)	1		1	1	1			1	1	1			1	1	1
11		Gasket (Therm.Hsg. To Cyl. Head)	1		1	1	1			1	1	1			1	1	1
11		Gasket (Therm.Hsg. To Cyl. Head)	1		1	1	1			1	1	1			1	1	1
12		Gasket (Cover to Thermostate Hsg.)	1		1	1	1			1	1	1			1	1	1

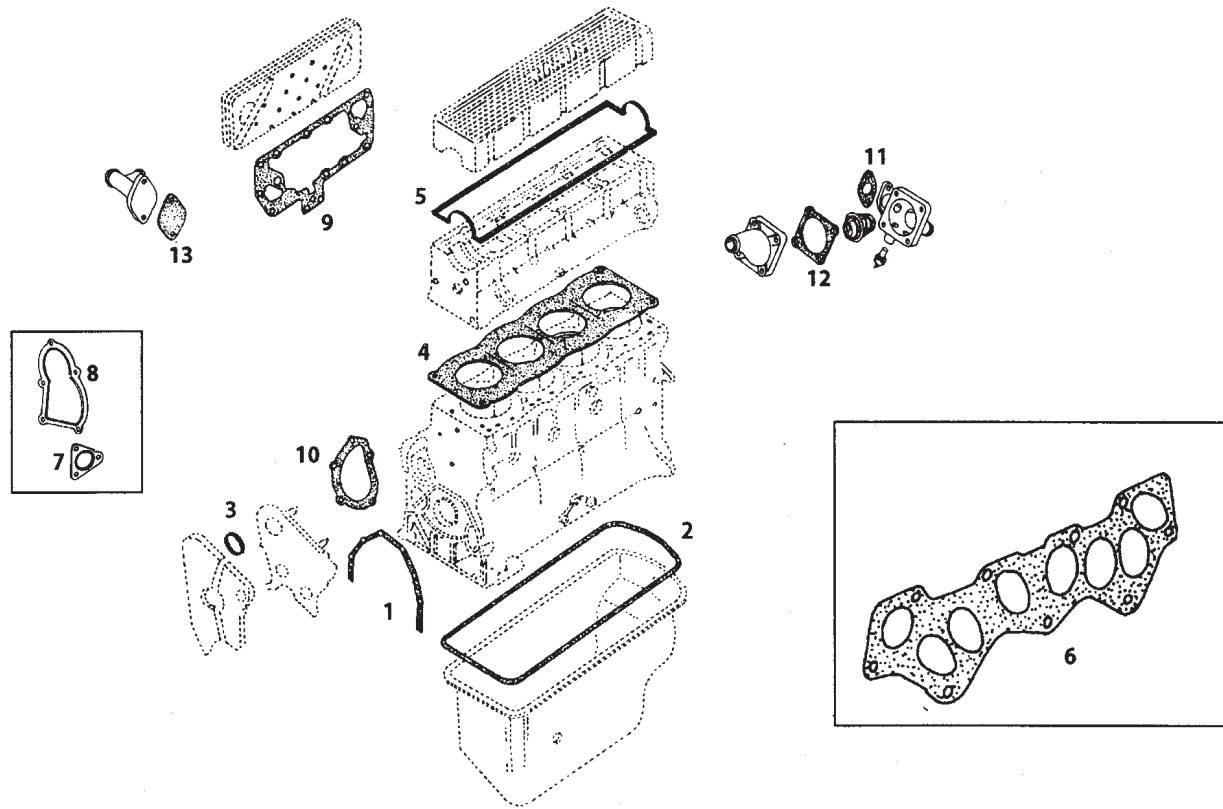


TABLE 01.3

ENGINE GASKET KITS

GROUP 01

FIG. NO.	PART NUMBER	DESCRIPTION	SINGLE CAB						CREW CAB						R/L	REMARKS		
			4 x 2			4 x 4			4 x 2			4 x 4						
			AC HD 1	AC HD 2	AC HD 3	HD 4	HD 5	AC HD 6	AC HD 7	AC HD 8	HD 9	AC HD 10	AC HD 11	AC HD 12			AC HD 13	HD 14
13		Gasket (Elbow To Crank Case)	1		1	1	1		1	1	1		1	1		1		Optional
13		Gasket (Elbow To Crank Case)	1		1	1	1		1	1	1		1	1		1		Optional
--		Gasket(Filt.Cover To Cyl head)	1		1	1	1		1	1	1		1	1		1		
--		Gasket-(Tube To TC)	1		1	1	1		1	1	1		1	1		1		
--		Gasket (Piston Cooling Nozzle)	4		4	4	4		4	4	4		4	4		4		
--		Washer - Injector	4		4	4	4		4	4	4		4	4		4		
--		Washer (Flame Guard)	4		4	4	4		4	4	4		4	4		4		Optional
--		Washer (Flame Guard)	4		4	4	4		4	4	4		4	4		4		Optional
--		Gasket - Elbow, Blow By	1		1	1	1		1	1	1		1	1		1		
--		Gasket (For Egr Valve)	1		1	1	1		1	1	1		1	1		1		
--		Sealing Washer 6X10	6		6	6	6		6	6	6		6	6		6		
--		Sealing Washer 10X1	1		1	1	1		1	1	1		1	1		1		
--		Sealing Washer 12X1	1		1	1	1		1	1	1		1	1		1		
--		Sealing Washer 14X1	1		1	1	1		1	1	1		1	1		1		
--		Sealing Washer 14X2	2		2	2	2		2	2	2		2	2		2		
--		Sealing Washer 16X2	1		1	1	1		1	1	1		1	1		1		
--		Sealing Washer 22X2	2		2	2	2		2	2	2		2	2		2		
--		Sealing Washer 8X11	4		4	4	4		4	4	4		4	4		4		
--		Sealing Washer 10X1	5		5	5	5		5	5	5		5	5		5		
--		Sealing Washer 10X1	4		4	4	4		4	4	4		4	4		4		

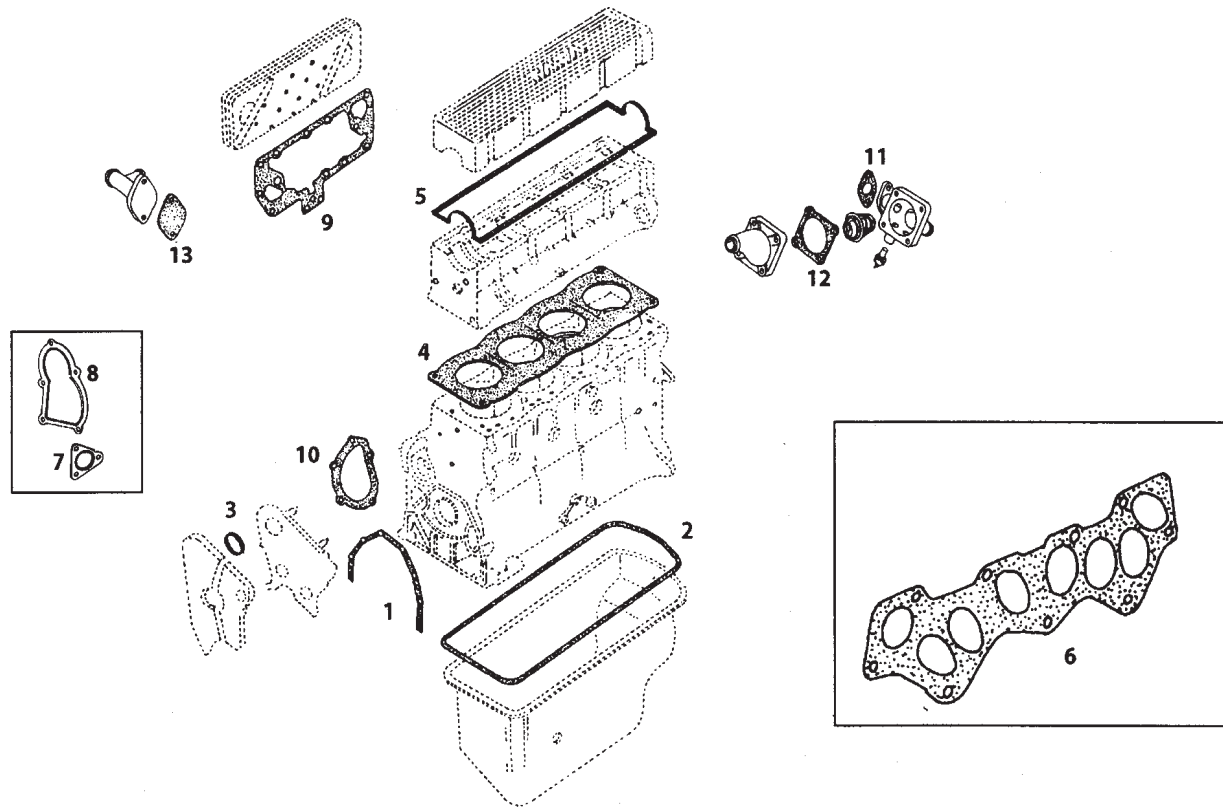


TABLE 01.3

ENGINE GASKET KITS

GROUP 01

FIG. NO.	PART NUMBER	DESCRIPTION	SINGLE CAB						CREW CAB						R/L	REMARKS		
			4 x 2			4 x 4			4 x 2			4 x 4						
			AC HD 1	AC HD 2	AC HD 3	HD 4	HD 5	AC HD 6	AC HD 7	AC HD 8	HD 9	AC HD 10	AC HD 11	AC HD 12			AC HD 13	HD 14
--		Sealing Washer 12X1	2		2	2	2		2	2	2		2	2		2		
--		Sealing Washer 14X1	2		2	2	2		2	2	2		2	2		2		
--		Sealing Washer 14X2	3		3	3	3		3	3	3		3	3		3		
--		Sealing Washer 16X2	1		1	1	1		1	1	1		1	1		1		
--		Sealing Washer 18X2	1		1	1	1		1	1	1		1	1		1		
--		Sealing Washer 22X2	1		1	1	1		1	1	1		1	1		1		
--		Sealing Washer 24X2	1		1	1	1		1	1	1		1	1		1		
--	2547 0099 01 15	Engine Overhaul Gasket Kit Euro II, Cosisting Of :-	1	1	1	1	1	1	1	1	1	1	1	1	1	1		
1		Gasket Front Cover	1	1	1	1	1	1	1	1	1	1	1	1	1	1		
2		Oil Sump Gasket (1.0 Thk)	1	1	1	1	1	1	1	1	1	1	1	1	1	1		Optional
2		Oil Sump Gasket (1.0 Thk)	1	1	1	1	1	1	1	1	1	1	1	1	1	1		Optional
2		Oil Sump Gasket (1.0 Thk)	1	1	1	1	1	1	1	1	1	1	1	1	1	1		Optional
3		Grommet (Front Cover)	3	3	3	3	3	3	3	3	3	3	3	3	3	3		
3		Grommet (Front Cover)	1	1	1	1	1	1	1	1	1	1	1	1	1	1		
4		Cyl.Head Gasket-MLS	1	1	1	1	1	1	1	1	1	1	1	1	1	1		Optional
4		Cyl.Head Gasket-MLS	1	1	1	1	1	1	1	1	1	1	1	1	1	1		Optional
5		Gasket-Cyl.Head Cov	1	1	1	1	1	1	1	1	1	1	1	1	1	1		
6		Gasket (Inlet-Ex.Manifold)	1	1	1	1	1	1	1	1	1	1	1	1	1	1		
7		Gasket (Turbine Inlet)	1	1	1	1	1	1	1	1	1	1	1	1	1	1		
8		Gasket(Turbine Outlet)	1	1	1	1	1	1	1	1	1	1	1	1	1	1		

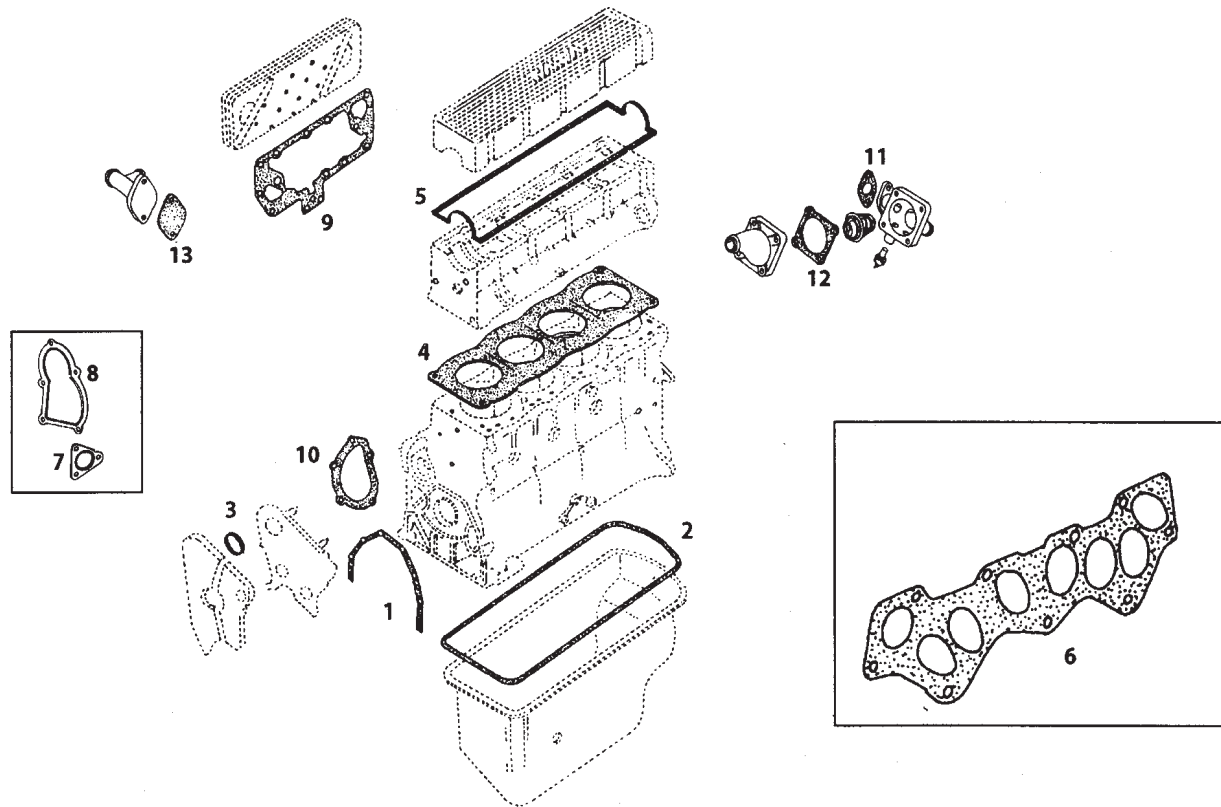


TABLE 01.3

ENGINE GASKET KITS

GROUP 01

FIG. NO.	PART NUMBER	DESCRIPTION	SINGLE CAB						CREW CAB						R/L	REMARKS
			4 x 2				4 x 4		4 x 2				4 x 4			
			AC HD 1	AC HD 2	AC HD 3	HD 4	HD 5	AC HD 6	AC HD 7	AC HD 8	HD 9	AC HD 10	AC HD 11	AC HD 12		
9		Combined Gasket (Oil Cooler/Cover)	1	1	1	1	1	1	1	1	1	1	1	1		
10		Gasket (Water Pump)	1	1	1	1	1	1	1	1	1	1	1	1		Optional
10		Gasket (Water Pump)	1	1	1	1	1	1	1	1	1	1	1	1		Optional
11		Gasket (Therm.Hsg. To Cyl. Head)	1	1	1	1	1	1	1	1	1	1	1	1		Optional
11		Gasket (Therm.Hsg. To Cyl. Head)	1	1	1	1	1	1	1	1	1	1	1	1		Optional
11		Gasket (Therm.Hsg. To Cyl. Head)	1	1	1	1	1	1	1	1	1	1	1	1		Optional
11		Gasket (Therm.Hsg. To Cyl. Head)	1	1	1	1	1	1	1	1	1	1	1	1		Optional
12		Gasket (Cover to Thermostate Hsg.)	1	1	1	1	1	1	1	1	1	1	1	1		Optional
12		Gasket (Cover to Thermostate Hsg.)	1	1	1	1	1	1	1	1	1	1	1	1		Optional
13		Gasket (Elbow To Crank Case)	1	1	1	1	1	1	1	1	1	1	1	1		Optional
13		Gasket (Elbow To Crank Case)	1	1	1	1	1	1	1	1	1	1	1	1		Optional
--		Gasket(Filt.Cover To Cyl head)	1	1	1	1	1	1	1	1	1	1	1	1		
--		Gasket-(Tube To Tc)	1	1	1	1	1	1	1	1	1	1	1	1		
--		Gasket (Piston Cooling Nozzle)	4	4	4	4	4	4	4	4	4	4	4	4		
--		Washer - Injector	4	4	4	4	4	4	4	4	4	4	4	4		
--		Washer (Flame Guard)	4	4	4	4	4	4	4	4	4	4	4	4		Optional
--		Washer-Flame Guard)	4	4	4	4	4	4	4	4	4	4	4	4		Optional
--		Gasket - Elbow, Blow By	1	1	1	1	1	1	1	1	1	1	1	1		
--		Sealing Washer 6X10	6	6	6	6	6	6	6	6	6	6	6	6		
--		Sealing Washer 10X1	1	1	1	1	1	1	1	1	1	1	1	1		

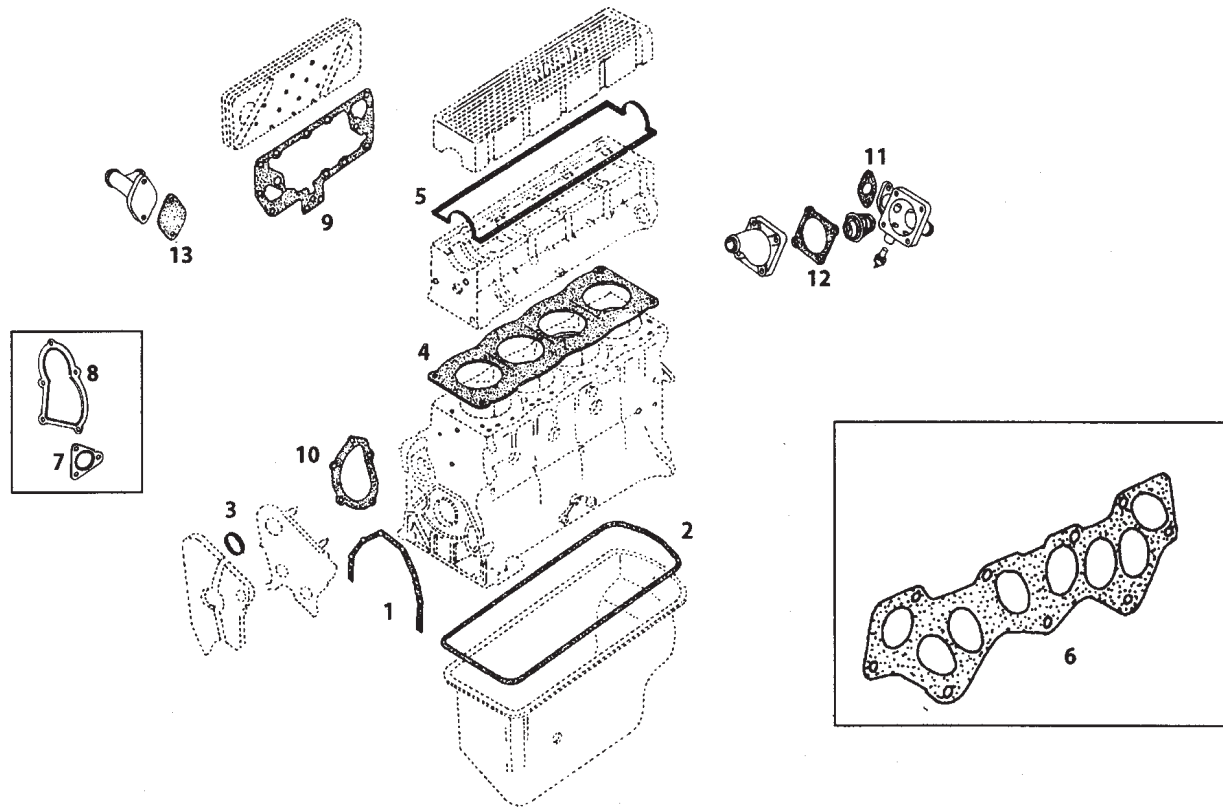


TABLE 01.3

ENGINE GASKET KITS

GROUP 01

FIG. NO.	PART NUMBER	DESCRIPTION	SINGLE CAB						CREW CAB						R/L	REMARKS	
			4 x 2				4 x 4		4 x 2				4 x 4				
			AC HD 1	AC HD 2	AC HD 3	HD 4	HD 5	AC HD 6	AC HD 7	AC HD 8	HD 9	AC HD 10	AC HD 11	AC HD 12			AC HD 13
--		Sealing Washer 12X1	1	1	1	1	1	1	1	1	1		1	1			
--		Sealing Washer 14X1	1	1	1	1	1	1	1	1	1		1	1			
--		Sealing Washer 14X2	2	2	2	2	2	2	2	2	2		2	2			
--		Sealing Washer 16X2	1	1	1	1	1	1	1	1	1		1	1			
--		Sealing Washer 22X2	2	2	2	2	2	2	2	2	2		2	2			
--		Sealing Washer 8X11	4	4	4	4	4	4	4	4	4		4	4			
--		Sealing Washer 10X1	5	5	5	5	5	5	5	5	5		5	5			
--		Sealing Washer 10X1	4	4	4	4	4	4	4	4	4		4	4			
--		Sealing Washer 12X1	2	2	2	2	2	2	2	2	2		2	2			
--		Sealing Washer 14X1	2	2	2	2	2	2	2	2	2		2	2			
--		Sealing Washer 14X2	3	3	3	3	3	3	3	3	3		3	3			
--		Sealing Washer 16X2	1	1	1	1	1	1	1	1	1		1	1			
--		Sealing Washer 18X2	1	1	1	1	1	1	1	1	1		1	1			
--		Sealing Washer 22X2	1	1	1	1	1	1	1	1	1		1	1			
--		Sealing Washer 24X2	1	1	1	1	1	1	1	1	1		1	1			

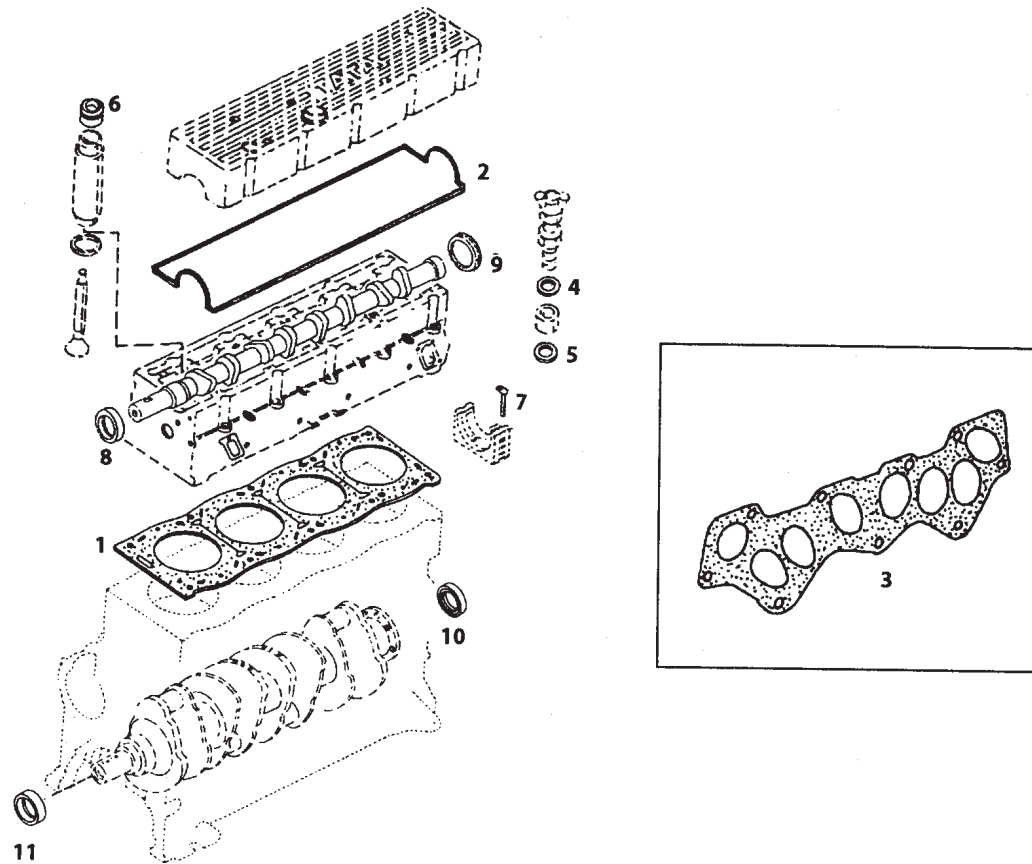


TABLE 01.4

ENGINE GASKET KITS

GROUP 01

FIG. NO.	PART NUMBER	DESCRIPTION	SINGLE CAB						CREW CAB						R/L	REMARKS		
			4 x 2				4 x 4		4 x 2				4 x 4					
			AC HD 1	AC HD 2	AC HD 3	HD 4	HD 5	AC HD 6	AC HD 7	AC HD 8	HD 9	AC HD 10	AC HD 11	AC HD 12			AC HD 13	HD 14
		ENGINE GASKET KITS																
--	2547 0099 01 16	Decarb.Gasket Kit (Euro II), Consisting of:-	1	1	1	1	1	1	1	1	1	1	1	1	1			
1		Cyl.Head Gasket-MLS 1.51 Thk	1	1	1	1	1	1	1	1	1	1	1	1	1			Selection
1		Cyl.Head Gasket-MLS 1.63 Thk	1	1	1	1	1	1	1	1	1	1	1	1	1			Selection
2		Gasket-Cyl.Head Cover	1	1	1	1	1	1	1	1	1	1	1	1	1			
3		Gasket (Inlet-Ex.Manifold)	1	1	1	1	1	1	1	1	1	1	1	1	1			
4		Washer - Injector	4	4	4	4	4	4	4	4	4	4	4	4	4			
5		Washer (Flame Guard)	4	4	4	4	4	4	4	4	4	4	4	4	4			Optional
5		Washer (Flame Guard)	4	4	4	4	4	4	4	4	4	4	4	4	4			Optional
12		Gasket (Cover to Thermostate Hsg.)	1	1	1	1	1	1	1	1	1	1	1	1	1			Optional
12		Gasket (Therm. To Cyl. Head)	1	1	1	1	1	1	1	1	1	1	1	1	1			Optional
--		Gasket(Turbine Outlet)	1	1	1	1	1	1	1	1	1	1	1	1	1			Optional
--		Gasket (Turbine Inlet)	1	1	1	1	1	1	1	1	1	1	1	1	1			Optional
--	2547 0099 01 17	Decarb.Gasket Kit (Euro III), Cosisting Of:-			1	1	1	1	1	1	1	1	1	1		1		
1		Cyl.Head Gasket-MLS 1.51 Thk			1	1	1	1	1	1	1	1	1	1	1		1	Selection
1		Cyl.Head Gasket-MLS 1.63 Thk			1	1	1	1	1	1	1	1	1	1	1		1	Selection
2		Gasket-Cyl.Head Cover			1	1	1	1	1	1	1	1	1	1	1		1	
3		Gasket (Inlet-Ex.Manifold)			1	1	1	1	1	1	1	1	1	1	1		1	
4		Washer - Injector			4	4	4	4	4	4	4	4	4	4	4		4	
5		Washer (Flame Guard)			4	4	4	4	4	4	4	4	4	4	4		4	Optional

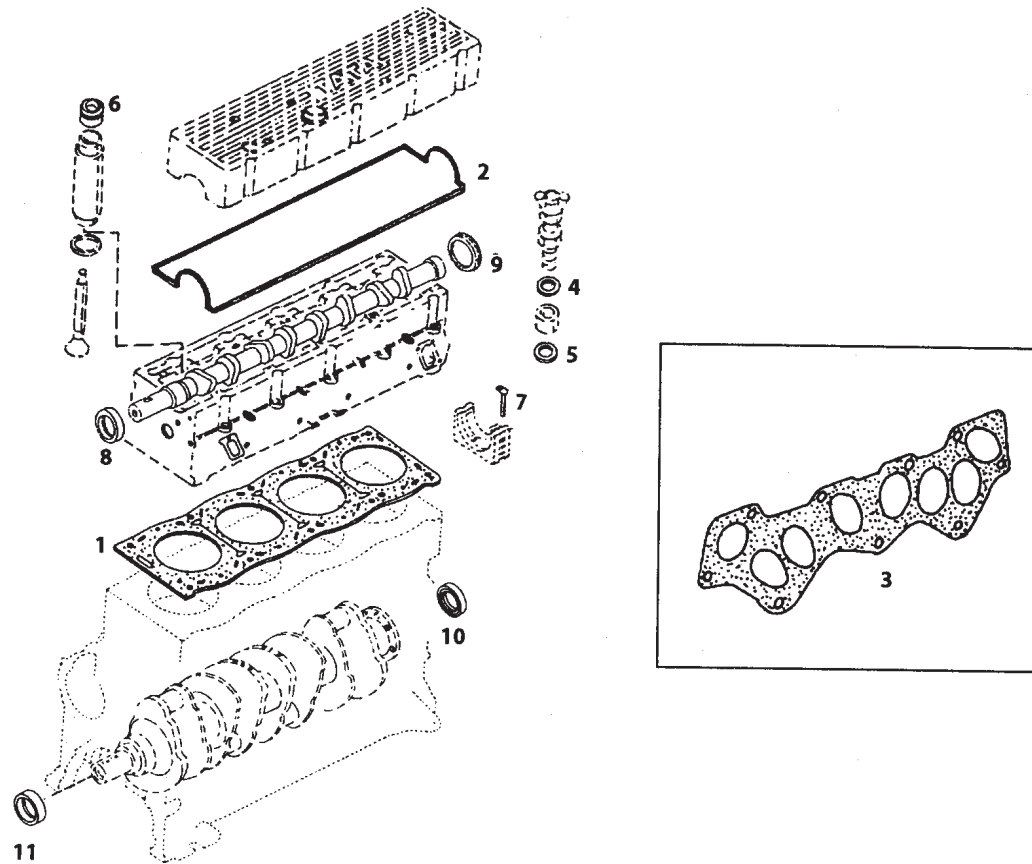


TABLE 01.4

ENGINE GASKET KITS

GROUP 01

FIG. NO.	PART NUMBER	DESCRIPTION	SINGLE CAB							CREW CAB							R/L	REMARKS	
			4 x 2				4 x 4			4 x 2				4 x 4					
			AC HD 1	AC HD 2	AC HD 3	HD 4	HD 5	AC HD 6	AC HD 7	AC HD 8	HD 9	AC HD 10	AC HD 11	AC HD 12	AC HD 13	HD 14			
5	2547 0099 01 06	Washer (Flame Guard)			4	4	4		4	4	4		4	4		4		Optional	
		Gasket(Turbine Outlet)			1	1	1		1	1	1		1	1		1			
		Gasket (Turbine Inlet)			1	1	1		1	1	1		1	1		1			
		Gasket (For Egr Valve)			1	1	1		1	1	1		1	1		1			
--		Engine Overhaul Seal Kit, Cosisting Of:-	1	1	1	1	1	1	1	1	1	1	1	1	1	1	1	1	
6		Seal Valve Guide	8	8	8	8	8	8	8	8	8	8	8	8	8	8	8	8	
7		Side Seal (M.b. Cap Rear)	2	2	2	2	2	2	2	2	2	2	2	2	2	2	2	2	
8		Oil Seal - Crankshaft Front	1	1	1	1	1	1	1	1	1	1	1	1	1	1	1	1	Optional
8		Oil Seal - Crankshaft Front	1	1	1	1	1	1	1	1	1	1	1	1	1	1	1	1	Optional
8		Oil Seal - Crankshaft Front	1	1	1	1	1	1	1	1	1	1	1	1	1	1	1	1	Optional
9		Oil Seal - Crankshaft Rear	1	1	1	1	1	1	1	1	1	1	1	1	1	1	1	1	Optional
9		Oil Seal - Crankshaft Rear	1	1	1	1	1	1	1	1	1	1	1	1	1	1	1	1	Optional
10		Oil Seal - Camshaft Rear (Cover)	1	1	1	1	1	1	1	1	1	1	1	1	1	1	1	1	Optional
11		Oil Seal - Camshaft Front	1	1	1	1	1	1	1	1	1	1	1	1	1	1	1	1	Optional
11		Oil Seal - Camshaft Front	1	1	1	1	1	1	1	1	1	1	1	1	1	1	1	1	Optional
11		Oil Seal - Camshaft Front	1	1	1	1	1	1	1	1	1	1	1	1	1	1	1	1	Optional

TABLE 01.5

CYLINDER BLOCK

GROUP 01

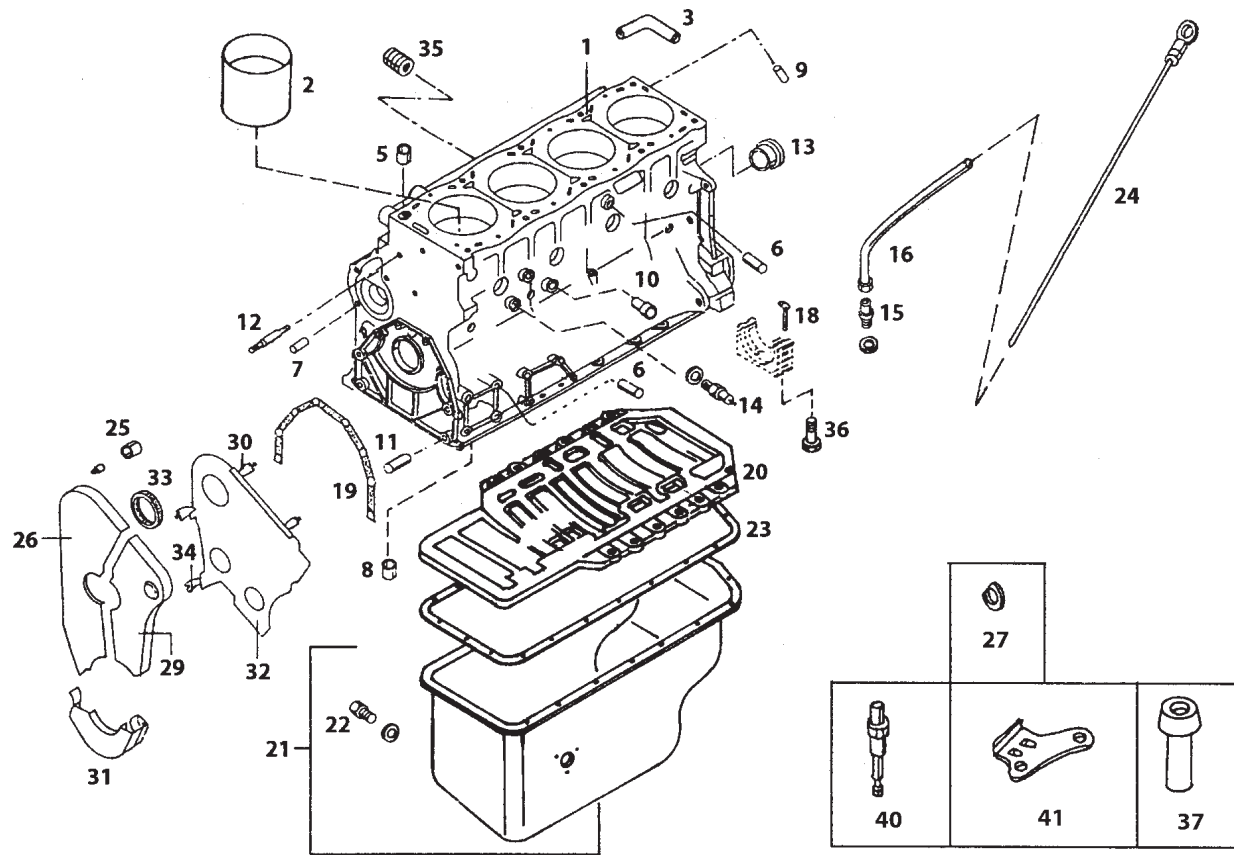


TABLE 01.5

CYLINDER BLOCK

GROUP 01

FIG. NO.	PART NUMBER	DESCRIPTION	SINGLE CAB							CREW CAB							R/L	REMARKS	
			4 x 2				4 x 4			4 x 2				4 x 4					
			AC HD 1	AC HD 2	AC HD 3	HD 4	HD 5	AC HD 6	AC HD 7	AC HD 8	HD 9	AC HD 10	AC HD 11	AC HD 12	AC HD 13	HD 14			
		CYLINDER BLOCK																	
1	2547 0110 01 77	Assy Cylinder Crankcase Without Clutch Housing	1	1	1					1	1	1			1		1	1	1
1	2547 0110 02 43	Assy Cylinder Crankcase Without Clutch Housing			1						1	1			1	1			
1	2547 0110 01 76	Assy Cylinder Crankcase Without Clutch Housing(Non AC)						1											
1	2547 0110 01 96	Assy Cylinder Crankcase Without Clutch Housing(Non AC)				1	1					1						1	
2	2547 0110 37 26	Liner {collarless}	4	4	4	4	4	4	4	4	4	4	4	4	4	4	4	4	4
3	2547 0110 69 05	Tube (On Crankcase)	1	1	1	1	1	1	1	1	1	1	1	1	1	1	1	1	1
5	2547 0115 48 01	Hollow Dowel - Cylinder Head	1	1	1	1	1	1	1	1	1	1	1	1	1	1	1	1	1
6	2547 0712 48 01	Hollow Dowel - Support FIP	4	4	4	4	4	4	4	4	4	4	4	4	4	4	4	4	4
7	2547 2312 48 01	Hollow Dowel (For A/c and Idler Bracket)	4	4	4	4	4	4	4	4	4	4	4	4	4	4	4	4	4
8	2547 1810 48 02	Hollow Dowel - Oil Pump	1	1	1	1	1	1	1	1	1	1	1	1	1	1	1	1	1
9	2547 2510 48 01	Hollow Dowel - Clutch Housing	2	2	2	2	2	2	2	2	2	2	2	2	2	2	2	2	2
10	1608 180140 5	Plug Mc 14x1 5	1	1	1	1	1	1	1	1	1	1	1	1	1	1	1	1	1
11	1305 050816 6	Cyl. Pin 8m16 x 16	1	1	1	1	1	1	1	1	1	1	1	1	1	1	1	1	1
12	2547 0511 88 01	Stud For Timing Belt Tensioner	1	1	1	1	1	1	1	1	1	1	1	1	1	1	1	1	1
13	2547 0110 82 04	Core Plug (27 Dia)	5	5	5	5	5	5	5	5	5	5	5	5	5	5	5	5	5
14	2654 5450 99 13	Oil Pressure Switch	1	1	1	1	1	1	1	1	1	1	1	1	1	1	1	1	1
15	2547 0117 99 01	Dipstick Tube Adapter	1	1	1	1	1	1	1	1	1	1	1	1	1	1	1	1	1
16	2547 0117 01 85	Assy Dipstick Tube	1	1	1	1	1	1	1	1	1	1	1	1	1	1	1	1	1
16	2547 0117 01 85	Assy Dipstick Tube	1	1	1	1	1	1	1	1	1	1	1	1	1	1	1	1	1

TABLE 01.5

CYLINDER BLOCK

GROUP 01

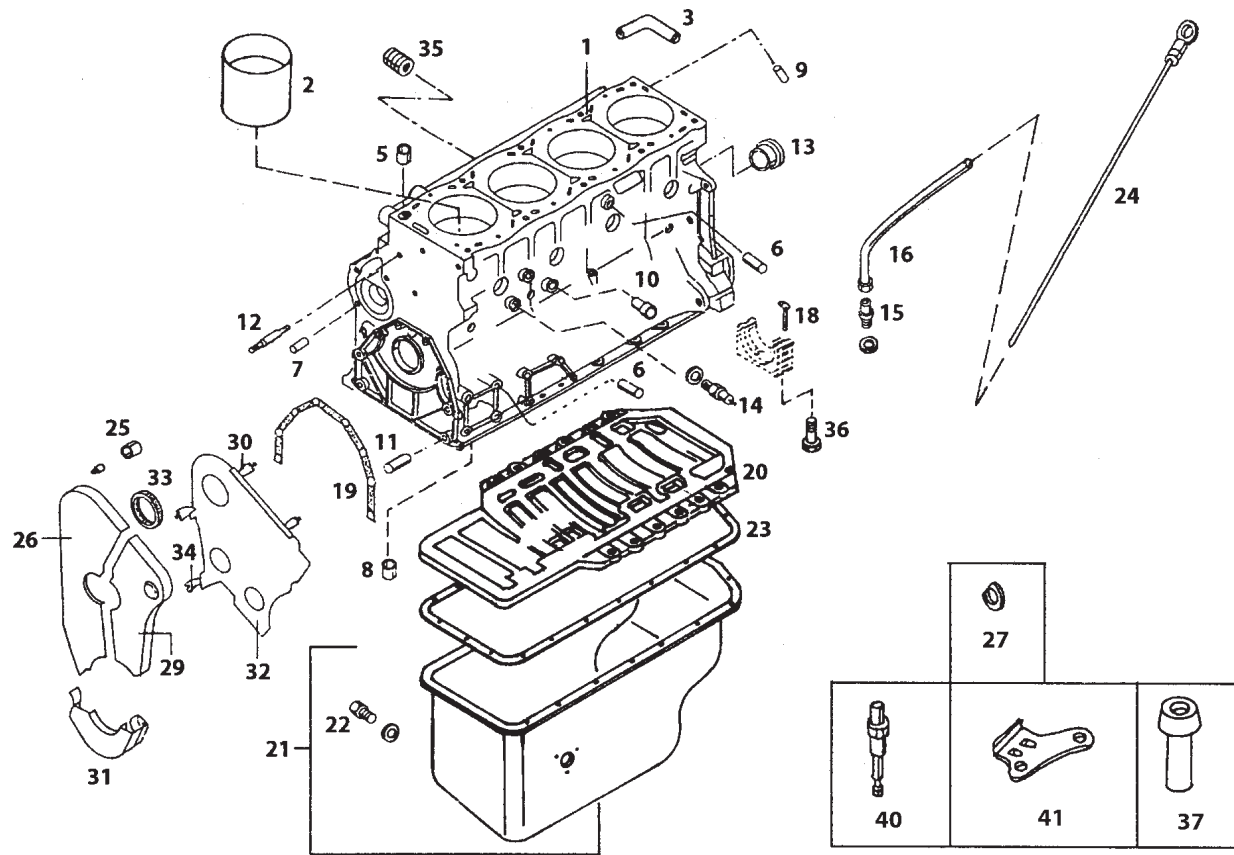


TABLE 01.5

CYLINDER BLOCK

GROUP 01

FIG. NO.	PART NUMBER	DESCRIPTION	SINGLE CAB							CREW CAB							R/L	REMARKS
			4 x 2				4 x 4			4 x 2				4 x 4				
			AC HD 1	AC HD 2	AC HD 3	HD 4	HD 5	AC HD 6	AC HD 7	AC HD 8	HD 9	AC HD 10	AC HD 11	AC HD 12	AC HD 13	HD 14		
18	2547 0110 77 02	Side Seal (M.B. Cap -Rear)	2	2	2	2	2	2	2	2	2	2	2	2	2			
19	2547 0110 53 02	Gasket Front Cover Crankcase	1	1	1	1	1	1	1	1	1	1	1	1	1			
20	2547 0113 38 02	Ladder Frame	1	1	1	1	1	1	1	1	1	1	1	1	1			
21	2547 0113 01 39	Assy Oil Sump Complete	1	1	1		1	1	1	1		1	1	1	1			
21	2547 0113 01 40	Assy Oil Sump Complete				1					1							
22	2534 0113 01 11	Assy Magnetic Drain Plug	1	1	1	1	1	1	1	1	1	1	1	1	1			
23	2547 0113 53 10	Oil Sump Gasket (1Thk.)	1	1	1	1	1	1	1	1	1	1	1	1	1			
24	2547 0117 01 86	Assy Dipstick (Orange Handle Band)	1	1	1		1	1	1	1		1	1	1	1			
24	2547 0117 01 87	Assy Dipstick (Blue Handle Band)				1					1							
25	2547 0110 01 02	Assy Spacer	3	3	3	3	3	3	3	3	3	3	3	3	3			
26	2547 0114 77 22	Front Cover (Right) (Timing Gear)	1	1	1	1	1	1	1	1	1	1	1	1	1			
27	2547 0114 75 02	Grommet (Front Cover-Timing Gear)	3	3	3	3	3	3	3	3	3	3	3	3	3			
28	2547 0114 77 23	Front Cover (Left) Timing Gear	1	1	1	1	1	1	1	1	1	1	1	1	1			
29	2547 0114 75 03	Grommet (Front Cover-Timing Gear)	1	1	1	1	1	1	1	1	1	1	1	1	1			
30	2547 0114 42 02	Clamp, Cover (Front)	3	3	3	3	3	3	3	3	3	3	3	3	3			
31	2547 0114 77 15	Front Cover (Lower) (Timing Gear)	1	1	1	1	1	1	1	1	1	1	1	1	1			
32	2547 0114 01 08	Assy Cover ,back (Timing Gear)	1	1	1	1	1	1	1	1	1	1	1	1	1			
33	2547 0114 75 01	Rubber grommet)Cover Back)	1	1	1	1	1	1	1	1	1	1	1	1	1			
34	2547 0114 42 01	Toggle Clamp	4	4	4	4	4	4	4	4	4	4	4	4	4			
35	2547 0110 99 03	Adapter	1	1	1	1	1	1	1	1	1	1	1	1	1			
36	2547 0110 32 02	Hex Bolt (M B Cap)	10	10	10	10	10	10	10	10	10	10	10	10	10			

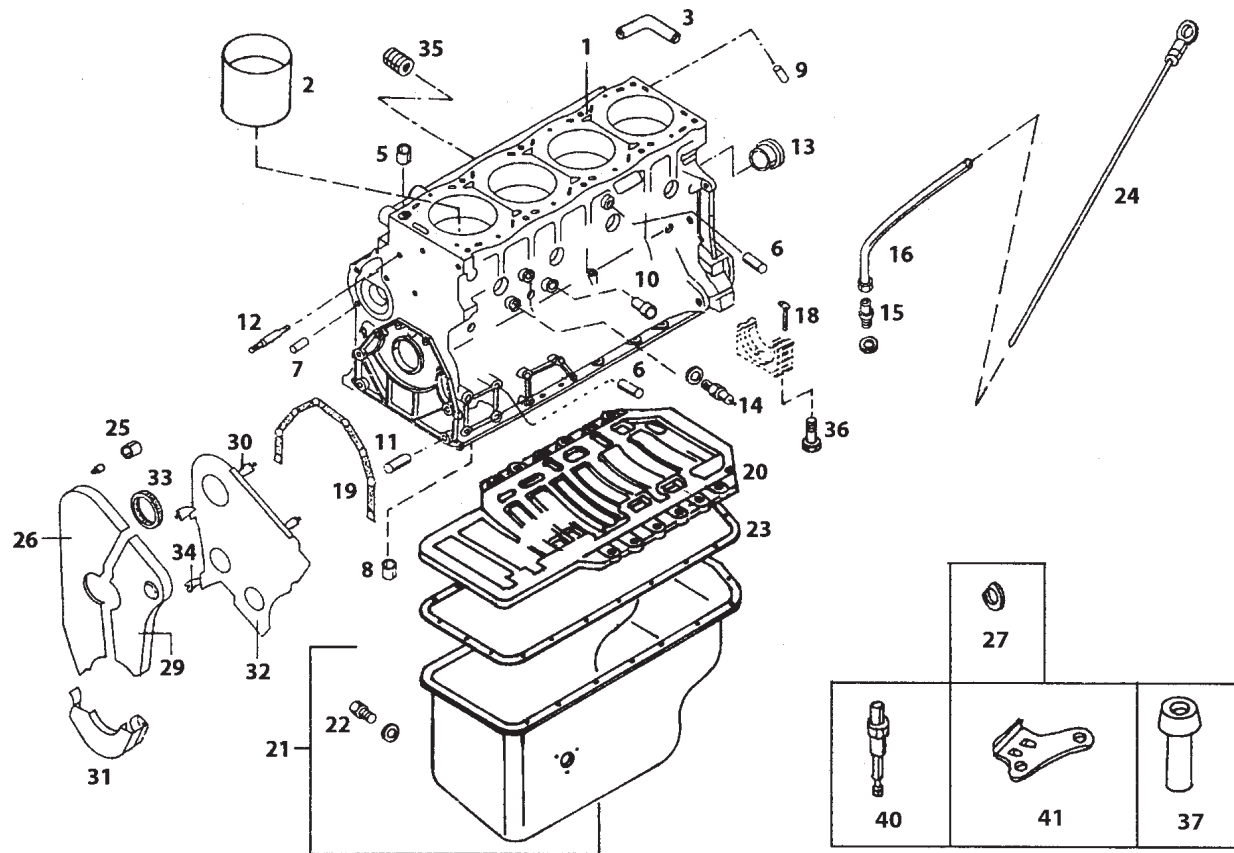


TABLE 01.5

CYLINDER BLOCK

GROUP 01

FIG. NO.	PART NUMBER	DESCRIPTION	SINGLE CAB						CREW CAB						R/L	REMARKS	
			4 x 2				4 x 4		4 x 2				4 x 4				
			AC HD 1	AC HD 2	AC HD 3	HD 4	HD 5	AC HD 6	AC HD 7	AC HD 8	HD 9	AC HD 10	AC HD 11	AC HD 12			AC HD 13
37	2547 0110 69 06	Tube (15 Dia) (For TC Oil Return)	1	1	1	1	1	1	1	1	1	1	1	1	1		
40	2547 0110 67 01	Pin.	1	1	1	1	1	1	1	1	1	1	1	1	1		
41	2547 0114 82 08	Support (For Toggle Clamp)	1	1	1	1	1	1	1	1	1	1	1	1	1		

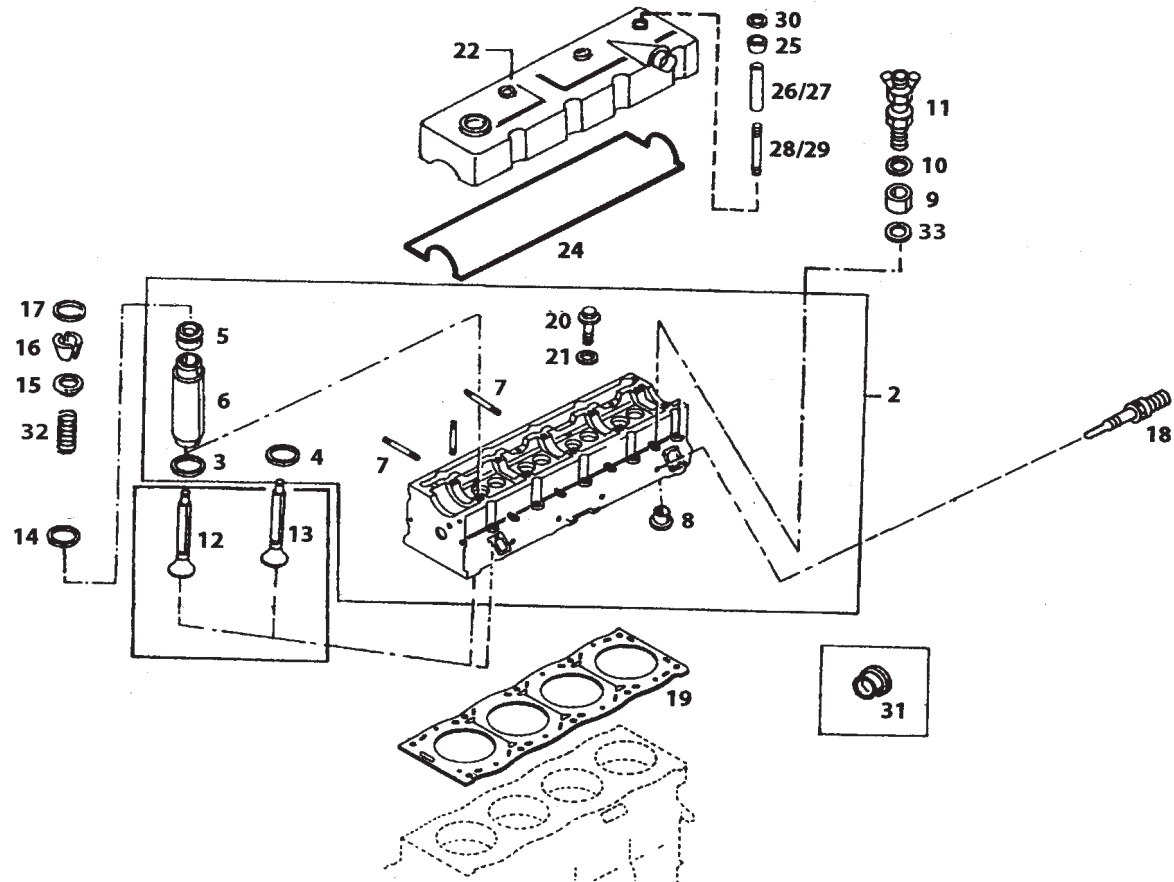


TABLE 01.6

CYLINDER HEAD AND COVER

GROUP 01

FIG. NO.	PART NUMBER	DESCRIPTION	SINGLE CAB						CREW CAB						R/L	REMARKS	
			4 x 2				4 x 4		4 x 2				4 x 4				
			AC HD 1	AC HD 2	AC HD 3	HD 4	HD 5	AC HD 6	AC HD 7	AC HD 8	HD 9	AC HD 10	AC HD 11	AC HD 12			AC HD 13
		CYLINDER HEAD AND COVER															
2	2547 0115 02 15	Assy Cylinder Head W/o Valves	1	1	1	1	1	1	1	1	1	1	1	1	1		Common for Mico/Lucas
3	2547 0115 34 17	Valve Seat Ring Inlet - Std.	4	4	4	4	4	4	4	4	4	4	4	4	4		
4	2547 0115 34 20	Valve Seat Ring Exhaust - Std.	4	4	4	4	4	4	4	4	4	4	4	4	4		
5	2547 0515 99 02	Seal Valve Guide	8	8	8	8	8	8	8	8	8	8	8	8	8		
6	2547 0515 34 11	Valve Guide (Std)	8	8	8	8	8	8	8	8	8	8	8	8	8		
7	2547 0110 88 01	Stud Camshaft Bearing Cap	10	10	10	10	10	10	10	10	10	10	10	10	10		
8	2547 0115 01 35	Assy Pre Combustion Chamber	4	4	4	4	4	4	4	4	4	4	4	4	4		
9	2547 0116 84 01	Flame Guard	4	4	4	4	4	4	4	4	4	4	4	4	4		
10	2547 0116 92 01	Washer - Injector	4	4	4	4	4	4	4	4	4	4	4	4	4		
11	2547 0116 01 06	Assy Nozzle (Mico)	4	4	4	4	4	4	4	4	4	4	4	4		} Selection of One Make	
11	2547 0116 01 11	Assy Nozzle (Lucas)			4	4	4		4	4	4		4	4	4		
12	2547 0512 51 14	Inlet Valve	4	4	4	4	4	4	4	4	4	4	4	4	4		
13	2547 0512 51 13	Exhaust Valve	4	4	4	4	4	4	4	4	4	4	4	4	4		
14	2547 0512 82 03	Spring Seat	8	8	8	8	8	8	8	8	8	8	8	8	8		
15	2547 0512 51 09	Lock Retainer - Valve Spring	8	8	8	8	8	8	8	8	8	8	8	8	8		
16	2547 0512 43 01	Valve Lock Half	16	16	16	16	16	16	16	16	16	16	16	16	16		
17	2547 0513 83 02	Shim (2.425)	8	8	8	8	8	8	8	8	8	8	8	8	8		} Selection
17	2547 0513 83 03	Shim (2.50)	8	8	8	8	8	8	8	8	8	8	8	8	8		
17	2547 0513 83 04	Shim (2.575)	8	8	8	8	8	8	8	8	8	8	8	8	8		

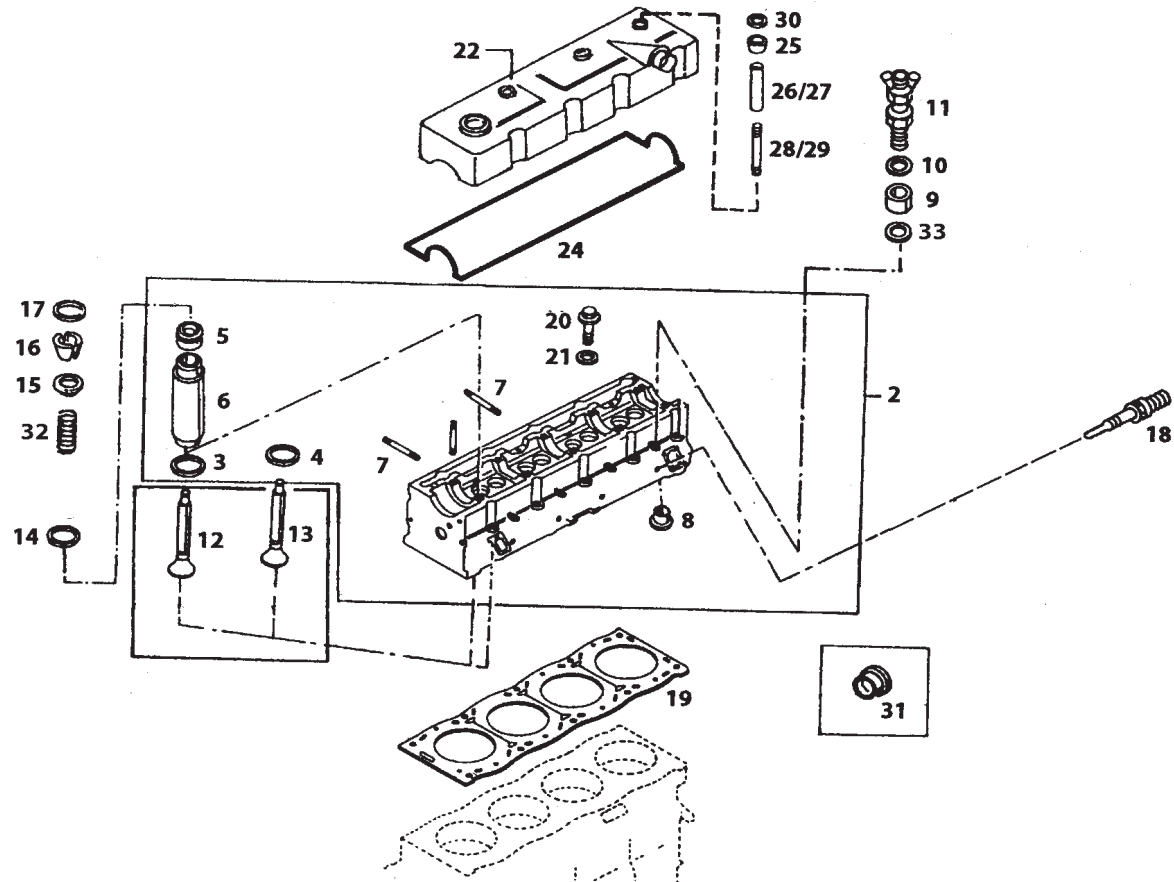


TABLE 01.6

CYLINDER HEAD AND COVER

GROUP 01

FIG. NO.	PART NUMBER	DESCRIPTION	SINGLE CAB							CREW CAB							R/L	REMARKS
			4 x 2				4 x 4			4 x 2				4 x 4				
			AC HD 1	AC HD 2	AC HD 3	HD 4	HD 5	AC HD 6	AC HD 7	AC HD 8	HD 9	AC HD 10	AC HD 11	AC HD 12	AC HD 13	HD 14		
17	2547 0513 83 05	Shim (2.650)	8	8	8	8	8	8	8	8	8	8	8	8	8	8		Selection
17	2547 0513 83 06	Shim (2.725)	8	8	8	8	8	8	8	8	8	8	8	8	8	8		
17	2547 0513 83 07	Shim (2.80)	8	8	8	8	8	8	8	8	8	8	8	8	8	8		
17	2547 0513 83 08	Shim (2.875)	8	8	8	8	8	8	8	8	8	8	8	8	8	8		
17	2547 0513 83 09	Shim (2.950)	8	8	8	8	8	8	8	8	8	8	8	8	8	8		
17	2547 0513 83 10	Shim (3.025)	8	8	8	8	8	8	8	8	8	8	8	8	8	8		
17	2547 0513 83 11	Shim (3.10)	8	8	8	8	8	8	8	8	8	8	8	8	8	8		
17	2547 0513 83 12	Shim (3.175)	8	8	8	8	8	8	8	8	8	8	8	8	8	8		
17	2547 0513 83 13	Shim (3.250)	8	8	8	8	8	8	8	8	8	8	8	8	8	8		
17	2547 0513 83 14	Shim (3.325)	8	8	8	8	8	8	8	8	8	8	8	8	8	8		
17	2547 0513 83 15	Shim (3.40)	8	8	8	8	8	8	8	8	8	8	8	8	8	8		
17	2547 0513 83 16	Shim (3.475)	8	8	8	8	8	8	8	8	8	8	8	8	8	8		
17	2547 0513 83 17	Shim (3.550)	8	8	8	8	8	8	8	8	8	8	8	8	8	8		
17	2547 0513 83 18	Shim (2.40)	8	8	8	8	8	8	8	8	8	8	8	8	8	8		
17	2547 0513 83 19	Shim (2.450)	8	8	8	8	8	8	8	8	8	8	8	8	8	8		
17	2547 0513 83 20	Shim (2.550)	8	8	8	8	8	8	8	8	8	8	8	8	8	8		
17	2547 0513 83 21	Shim (2.60)	8	8	8	8	8	8	8	8	8	8	8	8	8	8		
17	2547 0513 83 22	Shim (2.70)	8	8	8	8	8	8	8	8	8	8	8	8	8	8		
17	2547 0513 83 23	Shim (2.750)	8	8	8	8	8	8	8	8	8	8	8	8	8	8		
17	2547 0513 83 24	Shim (2.850)	8	8	8	8	8	8	8	8	8	8	8	8	8	8		

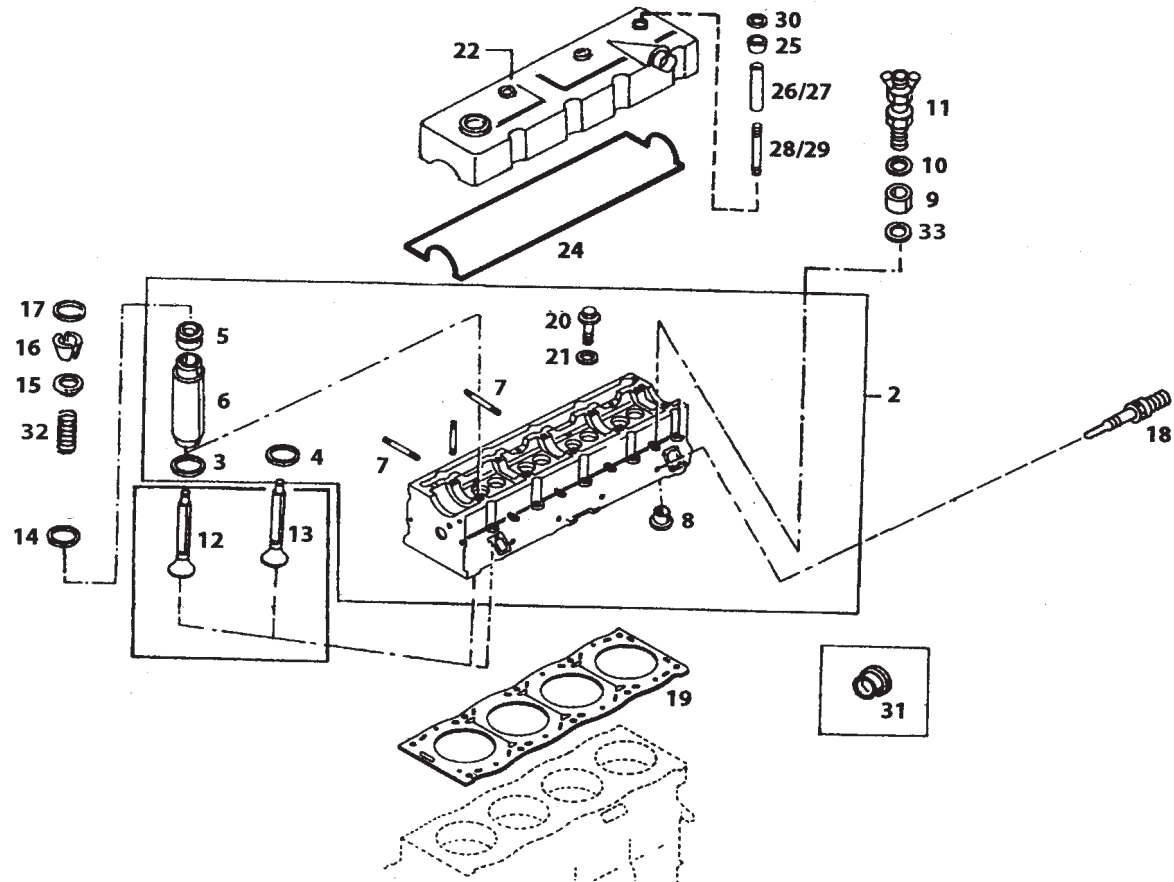


TABLE 01.6

CYLINDER HEAD AND COVER

GROUP 01

FIG. NO.	PART NUMBER	DESCRIPTION	SINGLE CAB							CREW CAB							R/L	REMARKS
			4 x 2				4 x 4			4 x 2				4 x 4				
			AC HD 1	AC HD 2	AC HD 3	HD 4	HD 5	AC HD 6	AC HD 7	AC HD 8	HD 9	AC HD 10	AC HD 11	AC HD 12	AC HD 13	HD 14		
17	2547 0513 83 25	Shim (2.90)	8	8	8	8	8	8	8	8	8	8	8	8	8	8		
17	2547 0513 83 26	Shim (3.00)	8	8	8	8	8	8	8	8	8	8	8	8	8	8		
17	2547 0513 83 27	Shim (3.050)	8	8	8	8	8	8	8	8	8	8	8	8	8	8		
17	2547 0513 83 28	Shim (3.150)	8	8	8	8	8	8	8	8	8	8	8	8	8	8		
17	2547 0513 83 29	Shim (3.20)	8	8	8	8	8	8	8	8	8	8	8	8	8	8		
17	2547 0513 83 30	Shim (3.30)	8	8	8	8	8	8	8	8	8	8	8	8	8	8		
17	2547 0513 83 31	Shim (3.350)	8	8	8	8	8	8	8	8	8	8	8	8	8	8		
17	2547 0513 83 32	Shim (3.450)	8	8	8	8	8	8	8	8	8	8	8	8	8	8		
17	2547 0513 83 33	Shim (3.50)	8	8	8	8	8	8	8	8	8	8	8	8	8	8		
17	2547 0513 83 34	Shim (2.42)	8	8	8	8	8	8	8	8	8	8	8	8	8	8		Selection
17	2547 0513 83 35	Shim (2.44)	8	8	8	8	8	8	8	8	8	8	8	8	8	8		
17	2547 0513 83 36	Shim (2.46)	8	8	8	8	8	8	8	8	8	8	8	8	8	8		
17	2547 0513 83 37	Shim (2.48)	8	8	8	8	8	8	8	8	8	8	8	8	8	8		
17	2547 0513 83 38	Shim (2.52)	8	8	8	8	8	8	8	8	8	8	8	8	8	8		
17	2547 0513 83 39	Shim (2.54)	8	8	8	8	8	8	8	8	8	8	8	8	8	8		
17	2547 0513 83 40	Shim (2.56)	8	8	8	8	8	8	8	8	8	8	8	8	8	8		
17	2547 0513 83 41	Shim (2.58)	8	8	8	8	8	8	8	8	8	8	8	8	8	8		
17	2547 0513 83 42	Shim (2.62)	8	8	8	8	8	8	8	8	8	8	8	8	8	8		
17	2547 0513 83 43	Shim (2.64)	8	8	8	8	8	8	8	8	8	8	8	8	8	8		
17	2547 0513 83 44	Shim (2.66)	8	8	8	8	8	8	8	8	8	8	8	8	8	8		

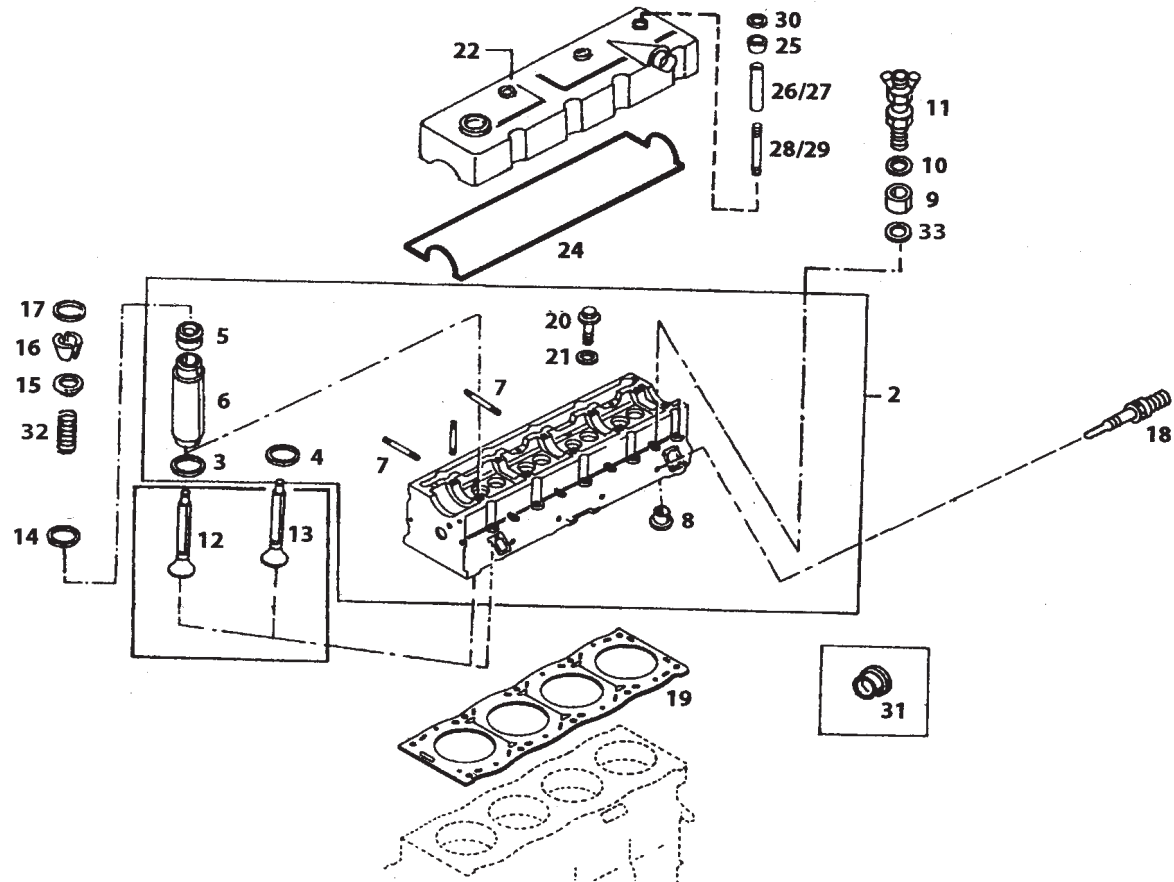


TABLE 01.6

CYLINDER HEAD AND COVER

GROUP 01

FIG. NO.	PART NUMBER	DESCRIPTION	SINGLE CAB							CREW CAB							R/L	REMARKS
			4 x 2				4 x 4			4 x 2				4 x 4				
			AC HD 1	AC HD 2	AC HD 3	HD 4	HD 5	AC HD 6	AC HD 7	AC HD 8	HD 9	AC HD 10	AC HD 11	AC HD 12	AC HD 13	HD 14		
17	2547 0513 83 45	Shim (2.68)	8	8	8	8	8	8	8	8	8	8	8	8	8	8	8	Selection
17	2547 0513 83 46	Shim (2.72)	8	8	8	8	8	8	8	8	8	8	8	8	8	8		
17	2547 0513 83 47	Shim (2.74)	8	8	8	8	8	8	8	8	8	8	8	8	8	8		
17	2547 0513 83 48	Shim (2.76)	8	8	8	8	8	8	8	8	8	8	8	8	8	8		
17	2547 0513 83 49	Shim (2.78)	8	8	8	8	8	8	8	8	8	8	8	8	8	8		
17	2547 0513 83 50	Shim (2.82)	8	8	8	8	8	8	8	8	8	8	8	8	8	8		
17	2547 0513 83 51	Shim (2.84)	8	8	8	8	8	8	8	8	8	8	8	8	8	8		
17	2547 0513 83 52	Shim (2.86)	8	8	8	8	8	8	8	8	8	8	8	8	8	8		
17	2547 0513 83 53	Shim (2.88)	8	8	8	8	8	8	8	8	8	8	8	8	8	8		
17	2547 0513 83 54	Shim (2.92)	8	8	8	8	8	8	8	8	8	8	8	8	8	8		
17	2547 0513 83 55	Shim (2.94)	8	8	8	8	8	8	8	8	8	8	8	8	8	8		
17	2547 0513 83 56	Shim (2.96)	8	8	8	8	8	8	8	8	8	8	8	8	8	8		
17	2547 0513 83 57	Shim (2.98)	8	8	8	8	8	8	8	8	8	8	8	8	8	8		
17	2547 0513 83 58	Shim (3.02)	8	8	8	8	8	8	8	8	8	8	8	8	8	8		
17	2547 0513 83 59	Shim (3.04)	8	8	8	8	8	8	8	8	8	8	8	8	8	8		
17	2547 0513 83 60	Shim (3.06)	8	8	8	8	8	8	8	8	8	8	8	8	8	8		
17	2547 0513 83 61	Shim (3.08)	8	8	8	8	8	8	8	8	8	8	8	8	8	8		
17	2547 0513 83 62	Shim (3.12)	8	8	8	8	8	8	8	8	8	8	8	8	8	8		
17	2547 0513 83 63	Shim (3.14)	8	8	8	8	8	8	8	8	8	8	8	8	8	8		
17	2547 0513 83 64	Shim (3.16)	8	8	8	8	8	8	8	8	8	8	8	8	8	8		

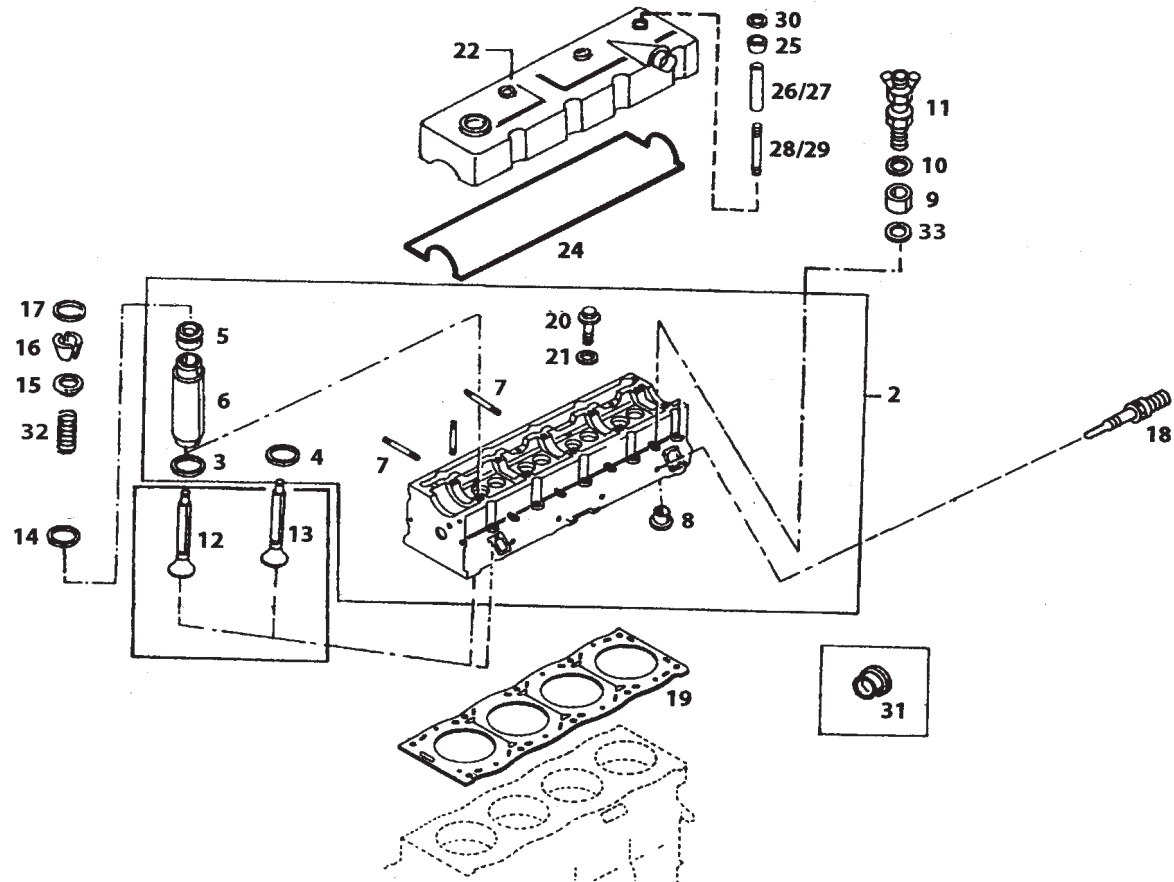


TABLE 01.6

CYLINDER HEAD AND COVER

GROUP 01

FIG. NO.	PART NUMBER	DESCRIPTION	SINGLE CAB							CREW CAB							R/L	REMARKS
			4 x 2				4 x 4			4 x 2				4 x 4				
			AC HD 1	AC HD 2	AC HD 3	HD 4	HD 5	AC HD 6	AC HD 7	AC HD 8	HD 9	AC HD 10	AC HD 11	AC HD 12	AC HD 13	HD 14		
17	2547 0513 83 65	Shim (3.18)	8	8	8	8	8	8	8	8	8	8	8	8	8	8		Selection
17	2547 0513 83 66	Shim (3.22)	8	8	8	8	8	8	8	8	8	8	8	8	8	8		
17	2547 0513 83 67	Shim (3.24)	8	8	8	8	8	8	8	8	8	8	8	8	8	8		
17	2547 0513 83 68	Shim (3.26)	8	8	8	8	8	8	8	8	8	8	8	8	8	8		
17	2547 0513 83 69	Shim (3.28)	8	8	8	8	8	8	8	8	8	8	8	8	8	8		
17	2547 0513 83 70	Shim (3.32)	8	8	8	8	8	8	8	8	8	8	8	8	8	8		
17	2547 0513 83 71	Shim (3.34)	8	8	8	8	8	8	8	8	8	8	8	8	8	8		
17	2547 0513 83 72	Shim (3.36)	8	8	8	8	8	8	8	8	8	8	8	8	8	8		
17	2547 0513 83 73	Shim (3.38)	8	8	8	8	8	8	8	8	8	8	8	8	8	8		
17	2547 0513 83 74	Shim (3.42)	8	8	8	8	8	8	8	8	8	8	8	8	8	8		
17	2547 0513 83 75	Shim (3.44)	8	8	8	8	8	8	8	8	8	8	8	8	8	8		
17	2547 0513 83 76	Shim (3.46)	8	8	8	8	8	8	8	8	8	8	8	8	8	8		
17	2547 0513 83 78	Shim (3.54)	8	8	8	8	8	8	8	8	8	8	8	8	8	8		
17	2547 0513 83 79	Shim (3.56)	8	8	8	8	8	8	8	8	8	8	8	8	8	8		
18	2547 1518 99 02	Glow Plug (Mico)	4	4	4	4	4	4	4	4	4	4	4	4	4	4		
19	2547 0115 53 61	Cyl. Head Gasket- MLS (1.5 Thk)	1	1	1	1	1	1	1	1	1	1	1	1	1	1	Selection	
19	2547 0115 53 62	Cyl. Head Gasket-MLS (1.6 Thk)	1	1	1	1	1	1	1	1	1	1	1	1	1	1	Selection	
19	2547 0115 53 69	Cyl. Head Gasket-MLS (1.7 Thk)	1	1	1	1	1	1	1	1	1	1	1	1	1	1	Selection	
20	2547 0115 80 01	Collar Screw	10	10	10	10	10	10	10	10	10	10	10	10	10	10		
21	2549 0115 92 01	Washer (Cyl Head Bolt)	10	10	10	10	10	10	10	10	10	10	10	10	10	10		

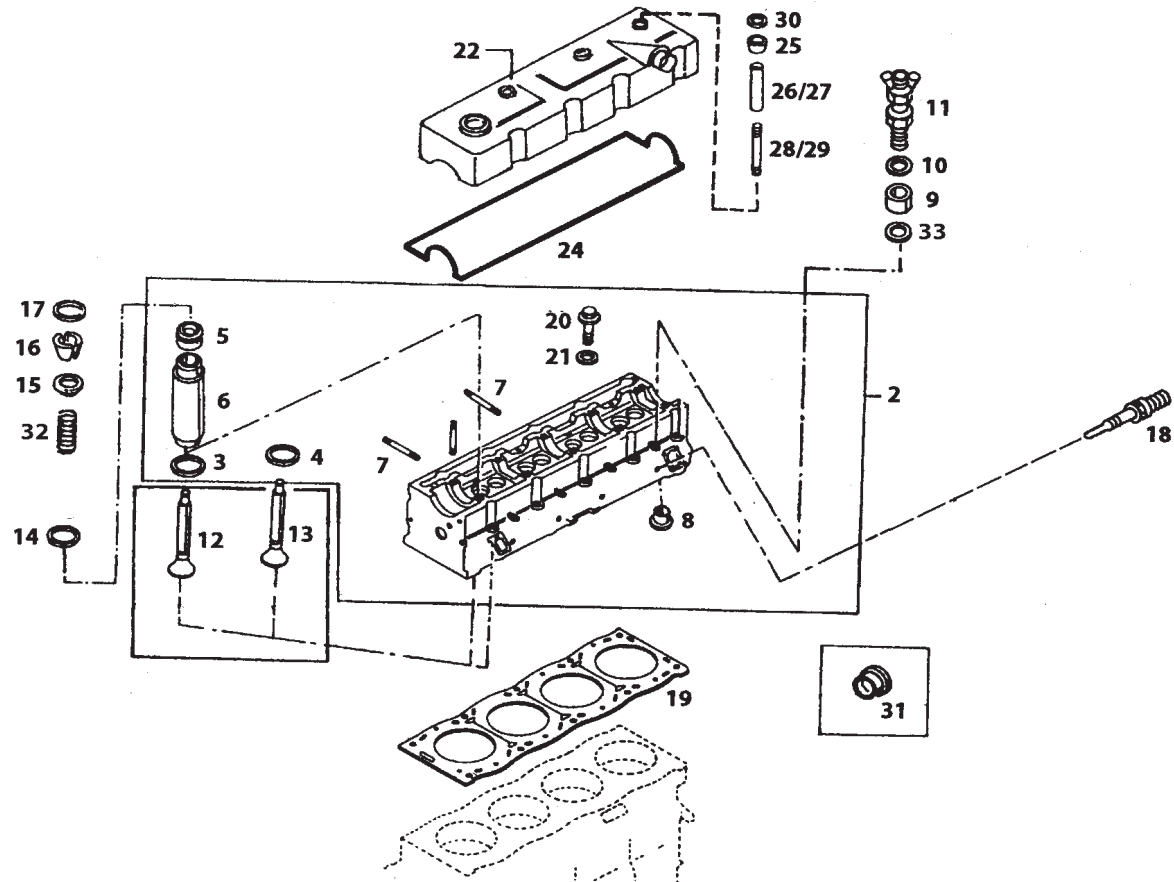


TABLE 01.6

CYLINDER HEAD AND COVER

GROUP 01

FIG. NO.	PART NUMBER	DESCRIPTION	SINGLE CAB							CREW CAB							R/L	REMARKS
			4 x 2				4 x 4			4 x 2				4 x 4				
			AC HD 1	AC HD 2	AC HD 3	HD 4	HD 5	AC HD 6	AC HD 7	AC HD 8	HD 9	AC HD 10	AC HD 11	AC HD 12	AC HD 13	HD 14		
22	2547 0115 01 34	Assy Cylinder Head Cover With Tube	1	1	1	1	1	1	1	1	1	1	1	1	1	1		
24	2547 0115 53 24	Gasket (Cyl. Head Cover)	1	1	1	1	1	1	1	1	1	1	1	1	1	1		
25	2547 0115 01 28	Assy Sealing Washer (Cyl. Head Cover)	6	6	6	6	6	6	6	6	6	6	6	6	6	6		
26	2547 0115 69 03	Spacer Tube (75 mm Long)	3	3	3	3	3	3	3	3	3	3	3	3	3	3		
27	2547 0115 69 04	Spacer Tube (94 mm Long)	3	3	3	3	3	3	3	3	3	3	3	3	3	3		
28	2547 0115 88 05	Stud (M6x100)	3	3	3	3	3	3	3	3	3	3	3	3	3	3		
29	2547 0115 88 06	Stud (M6x120)	3	3	3	3	3	3	3	3	3	3	3	3	3	3		
30	2547 0115 92 04	Washer (Cyl. Head Cover)	6	6	6	6	6	6	6	6	6	6	6	6	6	6		
31	2547 0110 82 03	Core Plug (32 Dia)	2	2	2	2	2	2	2	2	2	2	2	2	2	2		
31	2547 0110 82 04	Core Plug (27.5 Dia)	3	3	3	3	3	3	3	3	3	3	3	3	3	3		
32	2547 0512 87 06	Valve Spring	8	8	8	8	8	8	8	8	8	8	8	8	8	8		
33	2547 0116 92 04	Washer-Flame Guard	4	4	4	4	4	4	4	4	4	4	4	4	4	4		

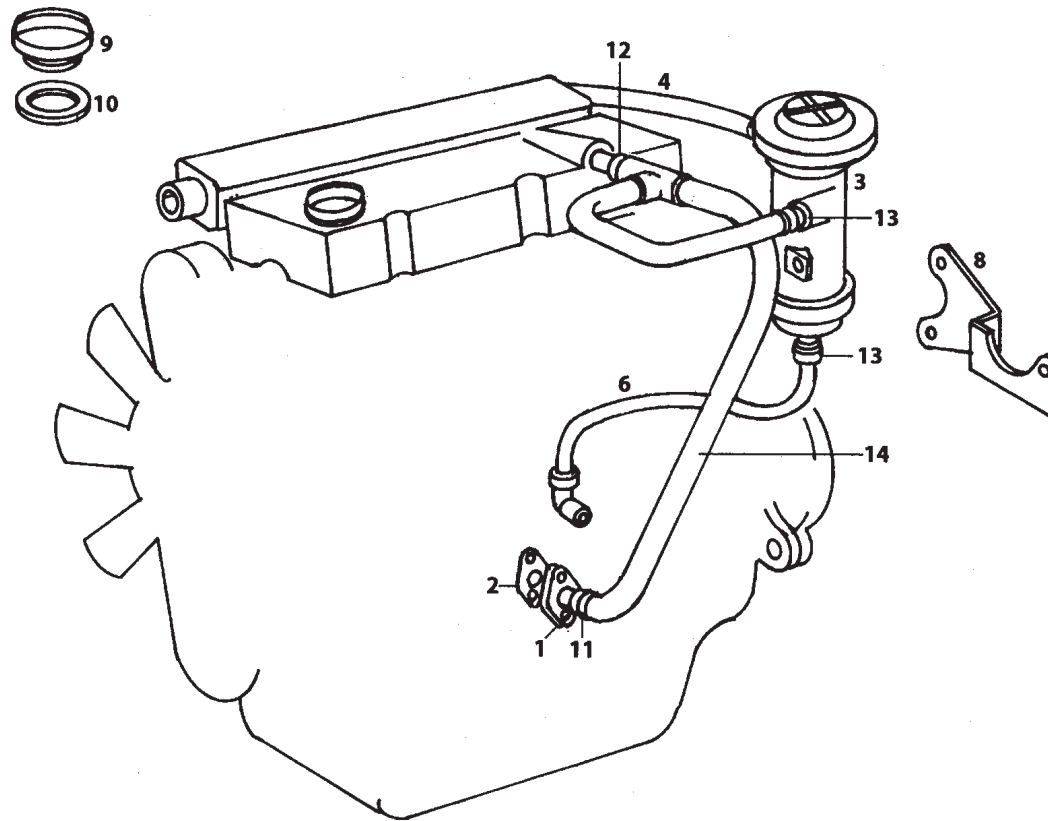


TABLE 01.7

OIL SEPARATOR ARRANGEMENT

GROUP 01

FIG. NO.	PART NUMBER	DESCRIPTION	SINGLE CAB						CREW CAB						R/L	REMARKS
			4 x 2			4 x 4			4 x 2			4 x 4				
			AC HD 1	AC HD 2	AC HD 3	HD 4	HD 5	AC HD 6	AC HD 7	AC HD 8	HD 9	AC HD 10	AC HD 11	AC HD 12		
OIL SEPARATOR ARRANGEMENT																
1	2547 0117 38 02	Elbow (Crankcase Blowby)	1	1	1	1	1	1	1	1	1	1	1	1	1	
2	2547 0117 53 02	Gasket - Elbow, Blow By	1	1	1	1	1	1	1	1	1	1	1	1	1	
3	2547 0117 01 35	Assy Oil Separator	1	1	1	1	1	1	1	1	1	1	1	1	1	
4	2547 0117 58 80	Rubber Hose (Separator To Air Inlet Hose)	1	1	1	1	1	1	1	1	1	1	1	1	1	
6	2547 0119 58 25	Rubber Hose-440 (Seperator To Crankcase)	1	1	1	1	1	1	1	1	1	1	1	1	1	
8	2547 0117 01 43	Assy Bracket (Oil Sep)	1	1	1	1	1	1	1	1	1	1	1	1	1	
9	2791 0115 99 01	Oil filler Cap.	1	1	1	1	1	1	1	1	1	1	1	1	1	
10	2547 0115 53 25	Gasket.	1	1	1	1	1	1	1	1	1	1	1	1	1	
11	2547 0117 42 09	Hose Clamp (38 Dia.)	1	1	1	1	1	1	1	1	1	1	1	1	1	
12	2547 0117 42 11	Hose Clamp (26 Dia.)	2	2	2	2	2	2	2	2	2	2	2	2	2	
13	2547 0117 42 12	Hose Clamp (18 Dia.)	2	2	2	2	2	2	2	2	2	2	2	2	2	
14	2547 0117 01 70	Assy Spider Hose	1	1	1	1	1	1	1	1	1	1	1	1	1	

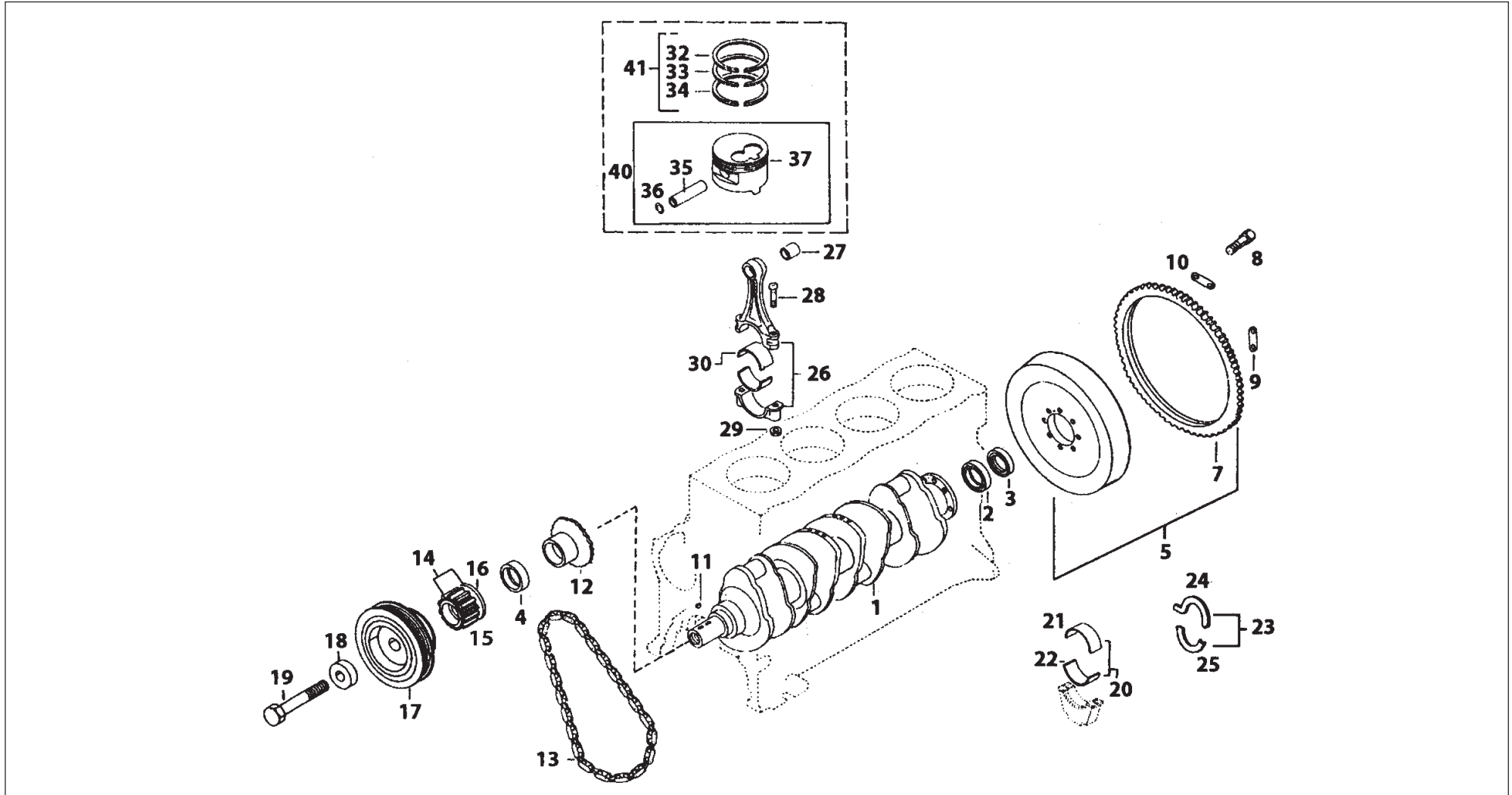


TABLE 03.1

MOVING PARTS

GROUP 03

FIG. NO.	PART NUMBER	DESCRIPTION	SINGLE CAB							CREW CAB							R/L	REMARKS	
			4 x 2				4 x 4			4 x 2				4 x 4					
			AC HD 1	AC HD 2	AC HD 3	HD 4	HD 5	AC HD 6	AC HD 7	AC HD 8	HD 9	AC HD 10	AC HD 11	AC HD 12	AC HD 13	HD 14			
		MOVING PARTS																	
1	2547 0310 79 17	Crankshaft	1	1	1	1	1	1	1	1	1	1	1	1	1	1			
2	2547 0310 31 02	D G Ball Brg (6202-2RS)	1	1	1	1	1	1	1	1	1	1	1	1	1	1			
3	2547 0110 78 22	Oil Seal (Crank Shaft Rear).	1	1	1	1	1	1	1	1	1	1	1	1	1	1			
4	2547 0110 78 20	Oil Seal (Crank Shaft Front)	1	1	1	1	1	1	1	1	1	1	1	1	1	1			Optional
4	2547 0110 78 21	Oil Seal (Crank Shaft Front)	1	1	1	1	1	1	1	1	1	1	1	1	1	1			Optional
5	2547 0311 01 06	Assy Flywheel With Ring Gear	1	1	1	1	1	1	1	1	1	1	1	1	1	1			
7	2547 0311 54 01	Ring Gear	1	1	1	1	1	1	1	1	1	1	1	1	1	1			
8	1132 429906 0	Hex Screw M10x1x25	8	8	8	8	8	8	8	8	8	8	8	8	8	8			
9	2547 0311 61 01	Locking Plate..	3	3	3	3	3	3	3	3	3	3	3	3	3	3			
10	2547 0311 61 02	Locking Plate.	1	1	1	1	1	1	1	1	1	1	1	1	1	1			
11	2547 0310 59 01	Key.	2	2	2	2	2	2	2	2	2	2	2	2	2	2			
13	2547 1810 99 09	Roller Chain (Oil Pump)	1	1	1	1	1	1	1	1	1	1	1	1	1	1			
14	2547 0511 54 08	Crankshaft Gear (Sintered)	1	1	1	1	1	1	1	1	1	1	1	1	1	1			
15	2547 0310 89 06	Sprocket (On Crankshaft)	1	1	1	1	1	1	1	1	1	1	1	1	1	1			Optional
15	2547 0310 89 07	Sprocket With Oil Thrower	1	1	1	1	1	1	1	1	1	1	1	1	1	1			Optional
16	2547 0511 86 03	Spacer Crankshaft	1	1	1	1	1	1	1	1	1	1	1	1	1	1			
17	2547 0313 01 27	Assy Vibration Damper (6PK+6PK)	1	1	1				1	1	1		1	1	1				
17	2547 0313 01 15	Assy Vib Damper (4 Groove)					1	1											Optional
17	2547 0313 01 23	Assy Vib Damper (4 Groove)					1	1											Optional
18	2547 0310 86 02	Spacer Vibraton Damper	1	1	1	1	1	1	1	1	1	1	1	1	1	1			

TABLE 03.1

MOVING PARTS

GROUP 03

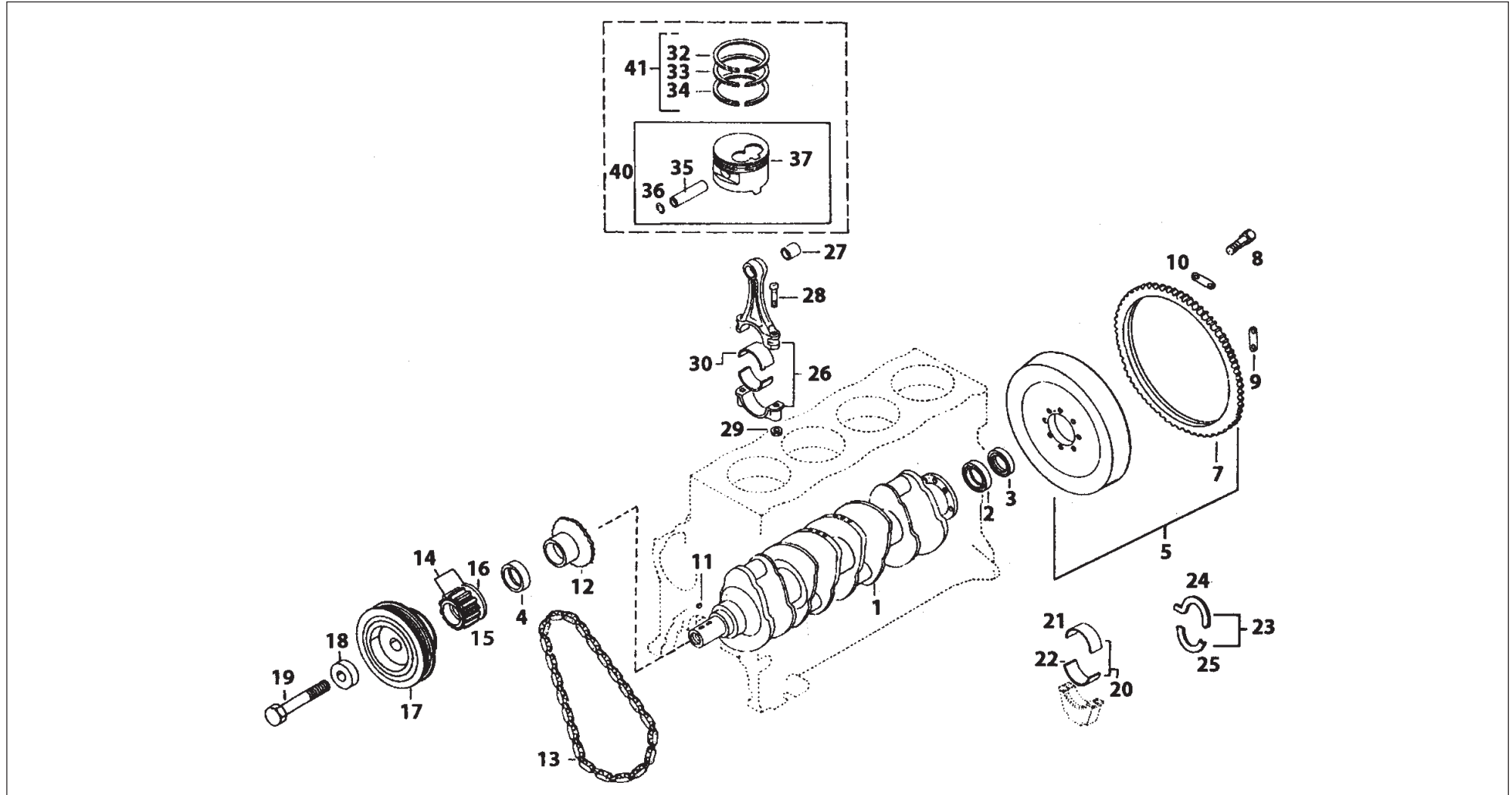


TABLE 03.1

MOVING PARTS

GROUP 03

FIG. NO.	PART NUMBER	DESCRIPTION	SINGLE CAB								CREW CAB						R/L	REMARKS
			4 x 2				4 x 4				4 x 2			4 x 4				
			AC HD 1	AC HD 2	AC HD 3	HD 4	HD 5	AC HD 6	AC HD 7	AC HD 8	HD 9	AC HD 10	AC HD 11	AC HD 12	AC HD 13	HD 14		
19	2547 0313 32 01	Hex Flange Bolt M 14x1.5 (70)	1	1	1	1	1	1	1	1	1	1	1	1	1			
20	2547 0312 34 79	Set M B Shell (Upper/Lower) Normal	1	1	1	1	1	1	1	1	1	1	1	1	1			For Selection
21		Main Bearing - Upper (Normal)	5	5	5	5	5	5	5	5	5	5	5	5	5			
22		Main Bearing - Lower (Normal)	5	5	5	5	5	5	5	5	5	5	5	5	5			
20	2547 0399 01 25	Set M B Shell (Upper/Lower) Repair I	1	1	1	1	1	1	1	1	1	1	1	1	1			For Selection
21		Main Bearing - Upper (Repair I)	5	5	5	5	5	5	5	5	5	5	5	5	5			
22		Main Bearing - Lower (Repair I)	5	5	5	5	5	5	5	5	5	5	5	5	5			
20	2547 0399 01 26	Set M B Shell (Upper/Lower) Repair II	1	1	1	1	1	1	1	1	1	1	1	1	1			For Selection
21		Main Bearing - Upper (Repair II)	5	5	5	5	5	5	5	5	5	5	5	5	5			
22		Main Bearing - Lower (Repair II)	5	5	5	5	5	5	5	5	5	5	5	5	5			
23	2547 0312 34 81	Set Thrust Washer (Upper/Lower)-2.52	1	1	1	1	1	1	1	1	1	1	1	1	1			For Selection
24		Thrust Washer (Upper) - 2.52	2	2	2	2	2	2	2	2	2	2	2	2	2			
25		Thrust Washer (Lower)-2.52	2	2	2	2	2	2	2	2	2	2	2	2	2			
23	2547 0312 34 82	Set Thrust Washer (Upper/Lower)-2.57	1	1	1	1	1	1	1	1	1	1	1	1	1			For Selection
24		Thrust Washer (upper) - 2.57	2	2	2	2	2	2	2	2	2	2	2	2	2			
25		Thrust Washer (Lower) - 2.57	2	2	2	2	2	2	2	2	2	2	2	2	2			
26	2547 0315 01 11	Assy Connecting Rod Without Brg Shells	4	4	4	4	4	4	4	4	4	4	4	4	4			
27	2547 0315 34 22	Bush - Connecting Rod	4	4	4	4	4	4	4	4	4	4	4	4	4			
28	2547 0315 32 01	Bolt Connecting Rod	8	8	8			8	8	8		8	8	8				
28	2549 0315 32 01	Bolt Connecting Rod				8	8				8				8			
29	2547 0315 65 01	Nut (Connecting Rod)	8	8	8	8	8	8	8	8	8	8	8	8	8			

TABLE 03.1

MOVING PARTS

GROUP 03

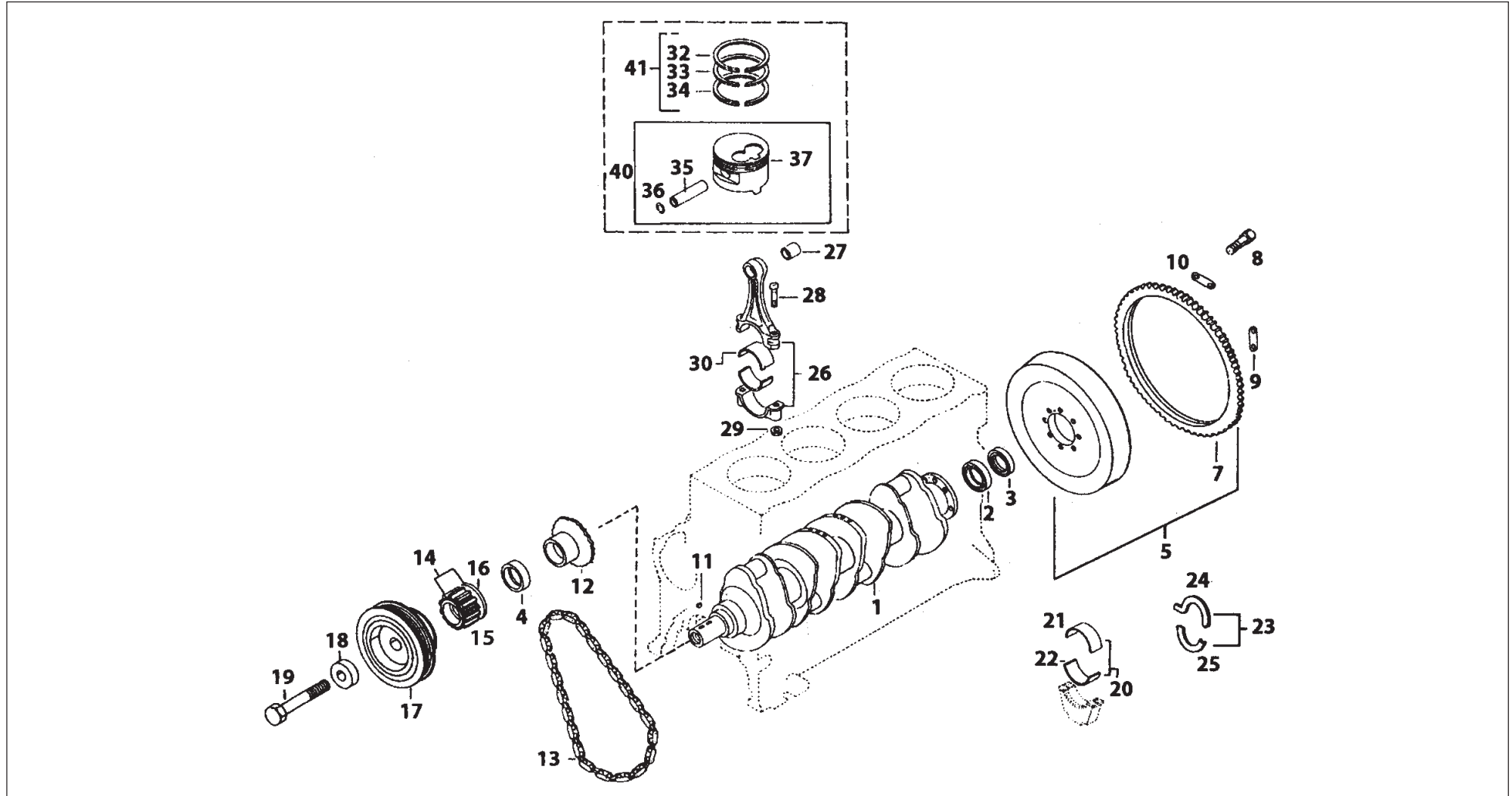


TABLE 03.1

MOVING PARTS

GROUP 03

FIG. NO.	PART NUMBER	DESCRIPTION	SINGLE CAB							CREW CAB							R/L	REMARKS
			4 x 2				4 x 4			4 x 2				4 x 4				
			AC HD 1	AC HD 2	AC HD 3	HD 4	HD 5	AC HD 6	AC HD 7	AC HD 8	HD 9	AC HD 10	AC HD 11	AC HD 12	AC HD 13	HD 14		
30	2547 0399 01 58	Set Con Rod Bearing Std	1	1	1	1	1	1	1	1	1	1	1	1	1			
--		Bearing Half (Con Rod) Std	8	8	8	8	8	8	8	8	8	8	8	8	8			
30	2547 0399 01 72	Set Con Rod Bearing Repair I	1	1	1	1	1	1	1	1	1	1	1	1	1			
--		Bearing Half (Con Rod) Repair I	8	8	8	8	8	8	8	8	8	8	8	8	8			
30	2547 0399 01 73	Set Con Rod Bearing Repair II	1	1	1	1	1	1	1	1	1	1	1	1	1			
--		Bearing Half (Con Rod) Repair II	8	8	8	8	8	8	8	8	8	8	8	8	8			
40	2547 0399 01 51	Set Piston Without Rings	1	1	1	1	1	1	1	1	1	1	1	1	1			
37		Piston A	4	4	4	4	4	4	4	4	4	4	4	4	4			
35		Gudgeon Pin	4	4	4	4	4	4	4	4	4	4	4	4	4			
36		Circlip	8	8	8	8	8	8	8	8	8	8	8	8	8			
41	2547 0399 01 57	Set Piston Rings Std	1	1	1	1	1	1	1	1	1	1	1	1	1			
32		Top Ring	4	4	4	4	4	4	4	4	4	4	4	4	4			
33		Second Ring	4	4	4	4	4	4	4	4	4	4	4	4	4			
34		Assy Oil Ring	4	4	4	4	4	4	4	4	4	4	4	4	4			

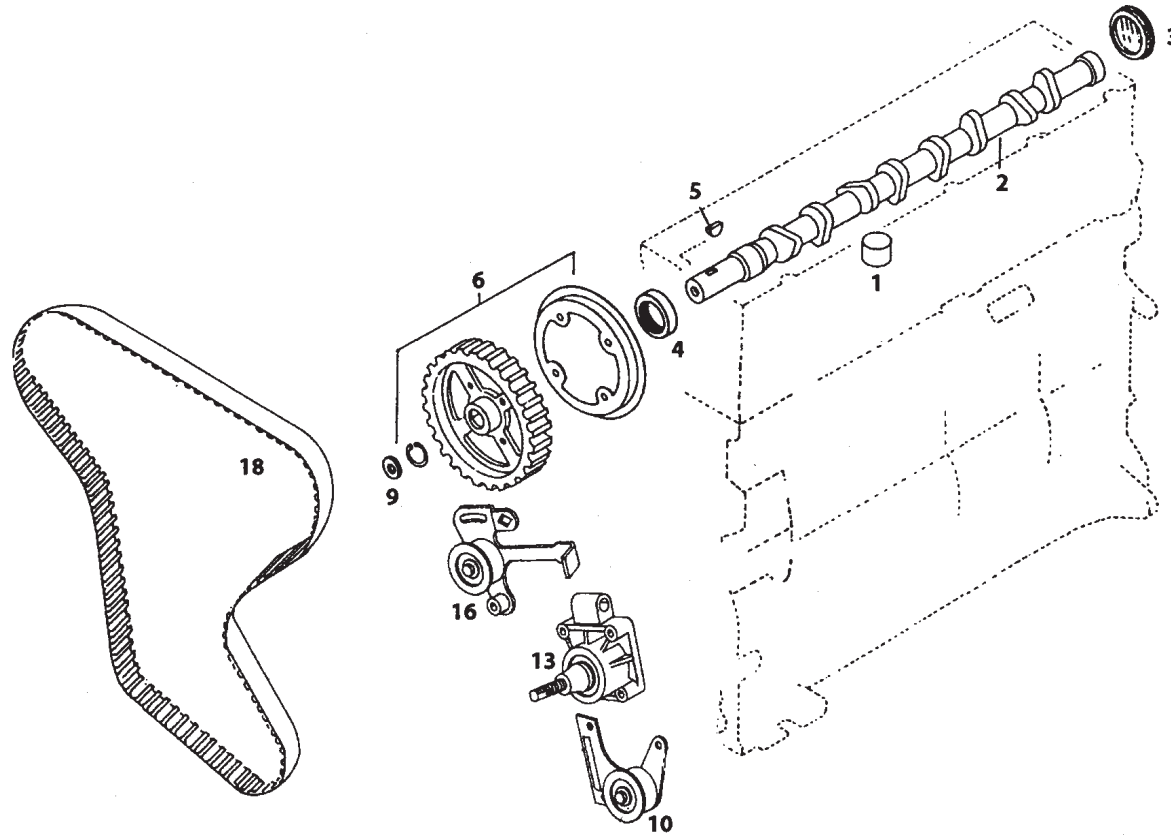


TABLE 05.1

ENGINE TIMING

GROUP 05

FIG. NO.	PART NUMBER	DESCRIPTION	SINGLE CAB							CREW CAB							R/L	REMARKS	
			4 x 2				4 x 4			4 x 2				4 x 4					
			AC HD 1	AC HD 2	AC HD 3	HD 4	HD 5	AC HD 6	AC HD 7	AC HD 8	HD 9	AC HD 10	AC HD 11	AC HD 12	AC HD 13	HD 14			
		ENGINE TIMING																	
1	2547 0513 99 02	Tappet Normal	8	8	8	8	8	8	8	8	8	8	8	8	8	8			
2	2547 0510 79 33	Camshaft	1	1	1	1	1	1	1	1	1	1	1	1	1	1			
3	2547 0115 78 03	Oil Seal (Cam Shaft Rear)	1	1	1	1	1	1	1	1	1	1	1	1	1	1			
4	2547 0115 78 14	Oil Seal (Cam Shaft Front)	1	1	1	1	1	1	1	1	1	1	1	1	1	1			
5	2547 0510 59 01	Key	1	1	1	1	1	1	1	1	1	1	1	1	1	1			
6	2547 0511 01 22	Assy Camshaft Gear	1	1	1	1	1	1	1	1	1	1	1	1	1	1			
9	2547 0510 86 01	Spacer	1	1	1	1	1	1	1	1	1	1	1	1	1	1			
10	2547 0511 01 38	Assy Timing Belt Idler	1	1	1	1	1	1	1	1	1	1	1	1	1	1			
16	2547 0511 01 39	Assy Timing Belt Tensioner	1	1	1	1	1	1	1	1	1	1	1	1	1	1			
18	2547 0511 63 01	Timing Belt	1	1	1	1	1	1	1	1	1	1	1	1	1	1			

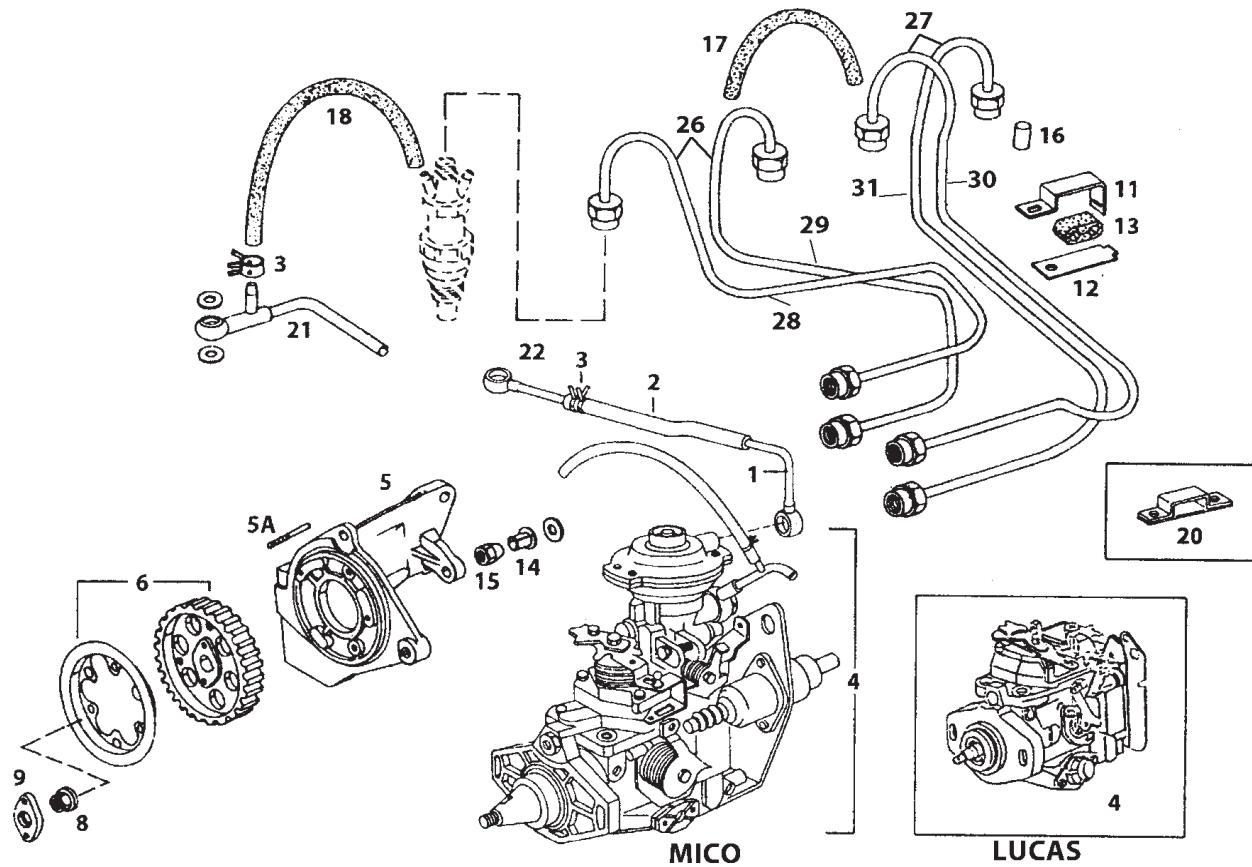


TABLE 07.1

FUEL INJECTION EQUIPMENT

GROUP 07

FIG. NO.	PART NUMBER	DESCRIPTION	SINGLE CAB						CREW CAB						R/L	REMARKS		
			4 x 2			4 x 4			4 x 2			4 x 4						
			AC HD 1	AC HD 2	AC HD 3	HD 4	HD 5	AC HD 6	AC HD 7	AC HD 8	HD 9	AC HD 10	AC HD 11	AC HD 12			AC HD 13	HD 14
		FUEL INJECTION EQUIPMENT																
1	2547 0710 01 26	Assy. Boost Air Line Complete (Lucas)	1	1	1	1	1	1	1	1	1	1	1	1	1			
1	2547 0710 01 14	Assy. Boost Air Line FIP Side (Mico)	1	1	1				1	1	1		1	1	1			
2	2547 0710 01 22	Assy. Boost Air Line	1	1	1	1	1	1	1	1	1	1	1	1	1			
3	2547 0714 42 01	Clamp (Injector Overflow Tube)	2	2	2	2	2	2	2	2	2	2	2	2	2			
4	2547 0710 01 42	Assy. Fuel Injection Pump-Lucas	1	1	1				1	1	1		1	1	1			Optional, for Euro II
4	0 460 494 418	Assy. Fuel Injection Pump-Mico	1	1	1				1	1	1		1	1	1			Optional, for Euro II
4	2547 0710 01 41	Assy. Fuel Injection Pump-Lucas			1				1	1			1	1		1		For Euro III Engine
5	2547 0712 38 03	Assy. Support Bkt. FIP	1	1	1	1	1	1	1	1	1	1	1	1	1	1		
6	2547 0713 01 03	Assy. FIP Gear (Mico)	1	1	1				1	1	1		1	1	1	1		
6	2547 0713 01 04	Assy. FIP Gear (Lucas)	1	1	1	1	1	1	1	1	1	1	1	1	1	1		
8	2547 0713 65 04	Adapter (For FIP Gear)(Mico)	1	1	1				1	1	1		1	1	1	1		
8	2547 0713 65 01	Adapter (For FIP Gear)(Lucas)	1	1	1	1	1	1	1	1	1	1	1	1	1	1		
9	2547 0713 71 03	Flange (For FIP Gear) (Mico)	1	1	1				1	1	1		1	1	1	1		
9	2547 0713 71 01	Flange (For FIP Gear) (Lucas)	1	1	1	1	1	1	1	1	1	1	1	1	1	1		
11	2527 0714 82 01	Pipe Clamp Upper	1	1	1	1	1	1	1	1	1	1	1	1	1	1		
12	2527 0714 01 02	Assy. Clamp Lower	1	1	1	1	1	1	1	1	1	1	1	1	1	1		
13	2527 0714 75 01	Rubber Grommet	1	1	1	1	1	1	1	1	1	1	1	1	1	1		
14	2547 0712 84 01	Locking Sleeve (for Lucas Only)	1	1	1	1	1	1	1	1	1	1	1	1	1	1		
15	2547 0712 65 01	Self Locking Nut(For Lucas Only)	1	1	1	1	1	1	1	1	1	1	1	1	1	1		

TABLE 07.1

FUEL INJECTION EQUIPMENT

GROUP 07

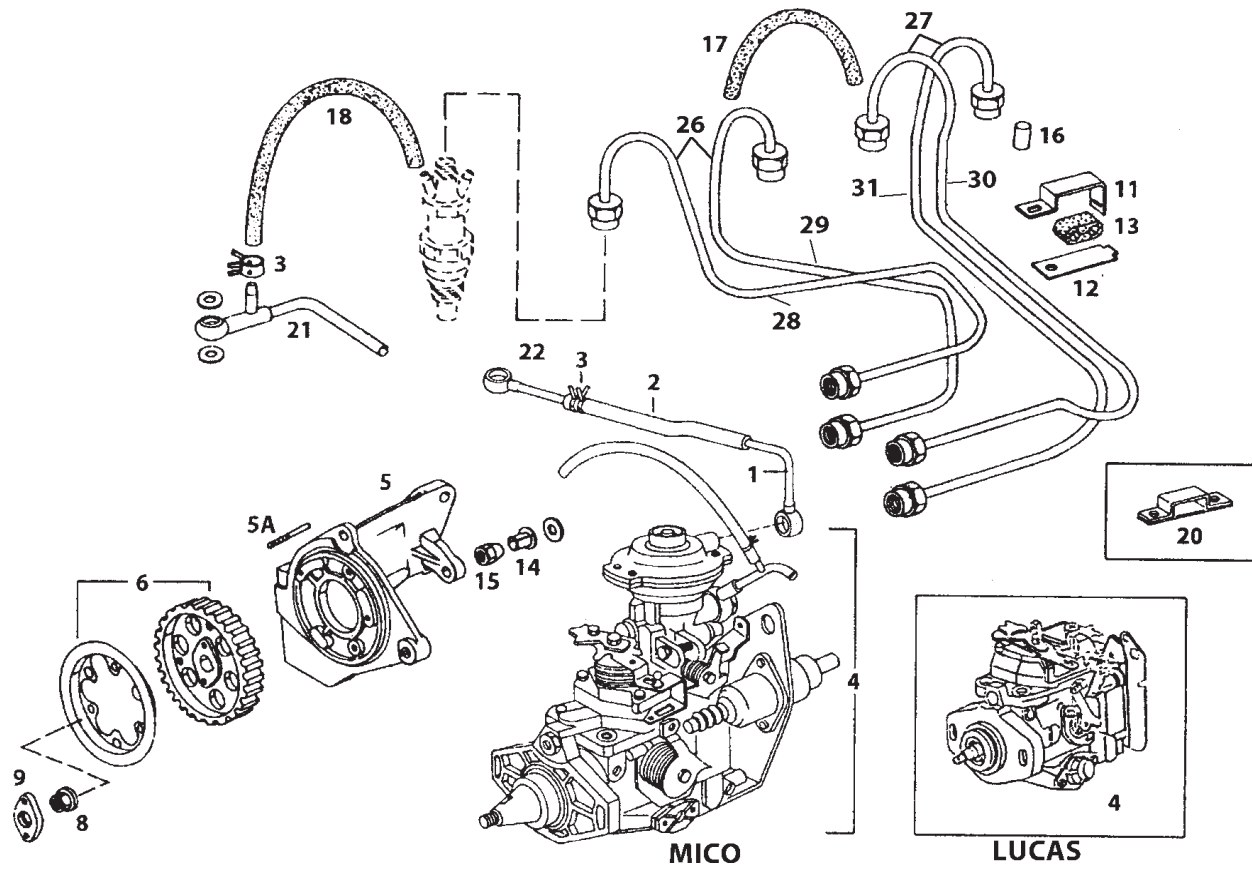


TABLE 07.1

FUEL INJECTION EQUIPMENT

GROUP 07

FIG. NO.	PART NUMBER	DESCRIPTION	SINGLE CAB							CREW CAB							R/L	REMARKS
			4 x 2				4 x 4			4 x 2				4 x 4				
			AC HD 1	AC HD 2	AC HD 3	HD 4	HD 5	AC HD 6	AC HD 7	AC HD 8	HD 9	AC HD 10	AC HD 11	AC HD 12	AC HD 13	HD 14		
16	2547 0714 69 04	Plug (Injector Overflow No. 4)	1	1	1	1	1	1	1	1	1	1	1	1	1	1		
17	2547 0714 69 13	Rubber Tube (140) For Lucas FIP	1	1	1	1	1	1	1	1	1	1	1	1	1	1		
--	2547 0714 69 14	Rubber Tube (190) Injector Overflow	1	1	1			1	1	1		1	1	1				
18	2547 0714 69 15	Rubber Tube (300)	1	1	1	1	1	1	1	1	1	1	1	1	1	1		
21	2547 0912 01 17	Assy. Fuel Return Line (For Lucas)	1	1	1	1	1	1	1	1	1	1	1	1	1	1		
22	2547 0912 01 22	Assy. Air line (Mico)	1	1	1			1	1	1		1	1	1	1			
26	2547 0714 01 65	Set Fuel Pressure Line 1&2 , Mico FIP	1	1	1			1	1	1		1	1	1	1			
28	2547 0714 01 43	Assy. Fuel Pressure Line (Cyl. No. 1)	1	1	1			1	1	1		1	1	1	1			
29	2547 0714 01 42	Assy. Fuel Pressure Line (Cyl. No. 2)	1	1	1			1	1	1		1	1	1	1			
26	2547 0714 01 67	Set Fuel Pressure Line 1&2 , Lucas FIP	1	1	1	1	1	1	1	1	1	1	1	1	1	1		
28	2547 0714 01 57	Assy. Fuel Pressure Line (Cyl. No. 1)	1	1	1	1	1	1	1	1	1	1	1	1	1	1		
29	2547 0714 01 58	Assy. Fuel Pressure Line (Cyl. No. 2)	1	1	1	1	1	1	1	1	1	1	1	1	1	1		
27	2547 0714 01 66	Set Fuel Pressure Line 3&4 , Mico FIP	1	1	1			1	1	1		1	1	1	1			
30	2547 0714 01 41	Assy. Fuel Pressure Line (Cyl. No. 3)	1	1	1			1	1	1		1	1	1	1			
31	2547 0714 01 40	Assy. Fuel Pressure Line (Cyl. No. 4)	1	1	1			1	1	1		1	1	1	1			
27	2547 0714 01 68	Set Fuel Pressure Line 3&4 , Lucas FIP	1	1	1	1	1	1	1	1	1	1	1	1	1	1		
30	2547 0714 01 59	Assy. Fuel Pressure Line (Cyl. No. 3)	1	1	1	1	1	1	1	1	1	1	1	1	1	1		
31	2547 0714 01 60	Assy. Fuel Pressure Line (Cyl. No. 4)	1	1	1	1	1	1	1	1	1	1	1	1	1	1		

TABLE 07.2

FUEL INJECTOR

GROUP 07

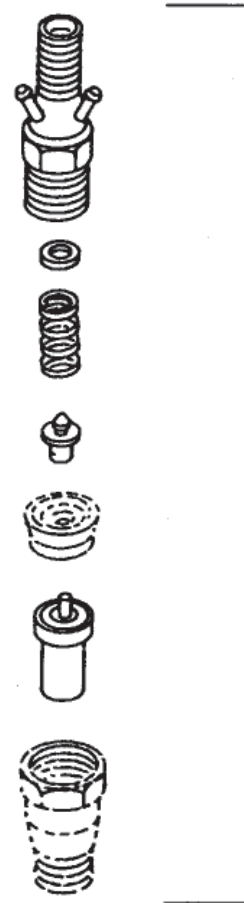


TABLE 07.2

FUEL INJECTOR

GROUP 07

FIG. NO.	PART NUMBER	DESCRIPTION	SINGLE CAB						CREW CAB						R/L	REMARKS	
			4 x 2				4 x 4		4 x 2				4 x 4				
			AC HD 1	AC HD 2	AC HD 3	HD 4	HD 5	AC HD 6	AC HD 7	AC HD 8	HD 9	AC HD 10	AC HD 11	AC HD 12			AC HD 13
1	0 430 030 210	FUEL INJECTOR Assy. Injector (MICO)	4	4	4	4	4	4	4	4	4	4	4	4	4		Optional
1	2547 0116 01 11	Assy. Injector (Lucas)	4	4	4	4	4	4	4	4	4	4	4	4	4		Optional

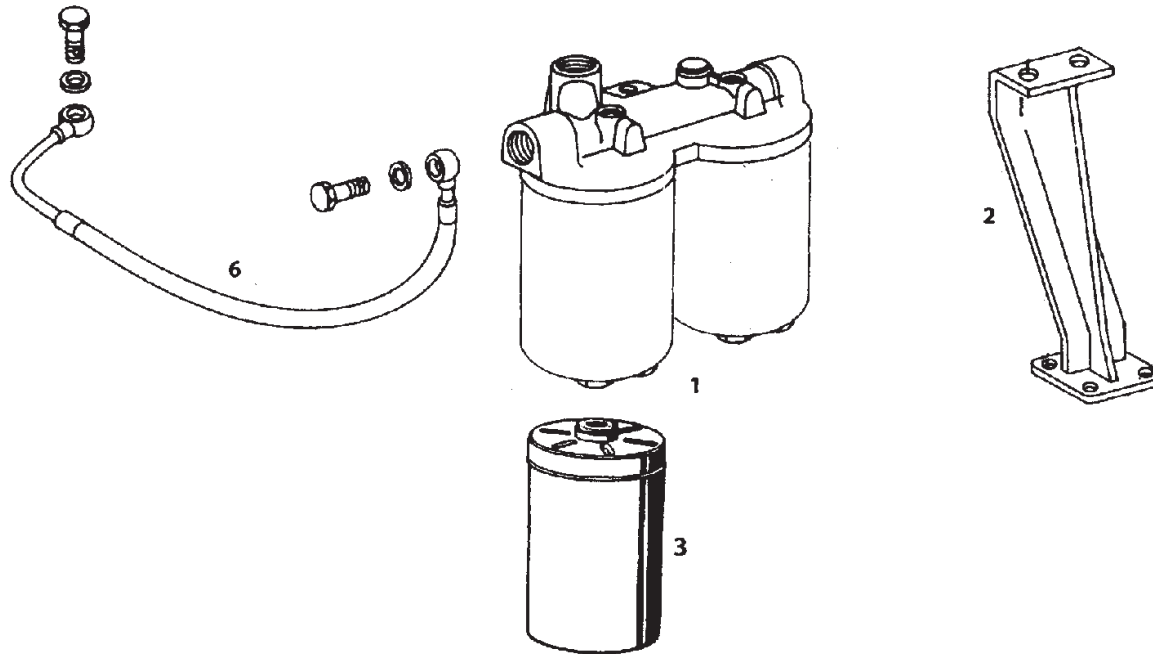


TABLE 09.1

FUEL FILTER (MICO)

GROUP 09

FIG. NO.	PART NUMBER	DESCRIPTION	SINGLE CAB						CREW CAB						R/L	REMARKS		
			4 x 2				4 x 4		4 x 2				4 x 4					
			AC HD 1	AC HD 2	AC HD 3	HD 4	HD 5	AC HD 6	AC HD 7	AC HD 8	HD 9	AC HD 10	AC HD 11	AC HD 12			AC HD 13	HD 14
1	9 450 030 116	FUEL FILTER (MICO) Assembly Fuel Filter (Mico)	1	1	1	1	1	1	1	1		1		1	1			TML No 2547 0911 01 06 Optional
1	F 002 H20 113	Assy. Fuel Filter With Water Sep.(Mico)	1	1	1	1	1	1	1	1		1		1	1			TML No 2547 0911 01 50 Optional
2	2547 0911 01 30	Assy. Bracket (Fuel Filter Mtg.)	1	1	1	1	1	1	1	1		1		1	1			
3	9 451 037 407	Filter element Mico	2	2	2	2	2	2	2	2		2		2	2			
6	2547 0912 01 30	Assy. Fuel Line (Filter To Mico FIP)	1	1	1	1	1	1	1	1		1		1	1			

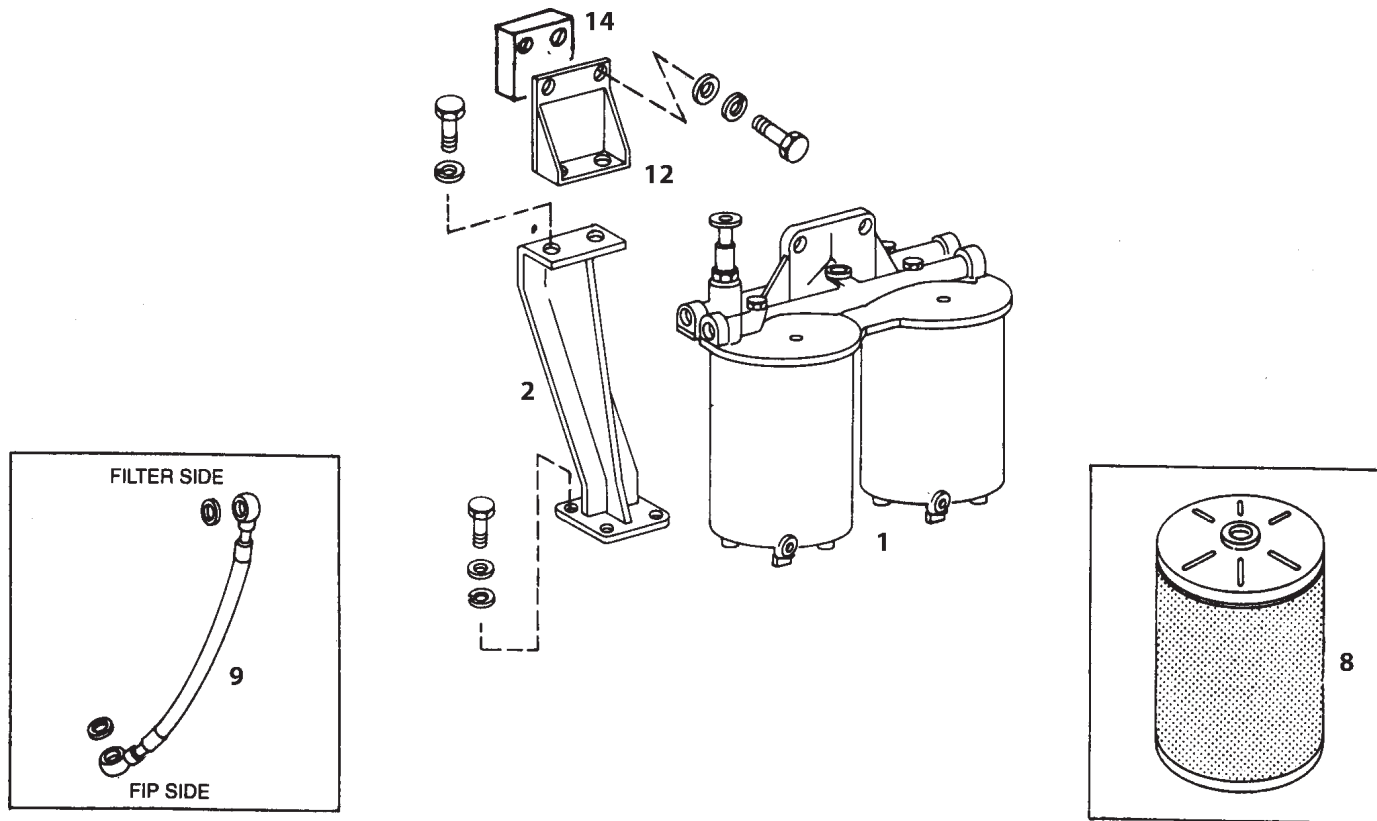


TABLE 09.2

FUEL FILTER (LUCAS)

GROUP 09

FIG. NO.	PART NUMBER	DESCRIPTION	SINGLE CAB						CREW CAB						R/L	REMARKS	
			4 x 2			4 x 4			4 x 2			4 x 4					
			AC HD 1	AC HD 2	AC HD 3	HD 4	HD 5	AC HD 6	AC HD 7	AC HD 8	HD 9	AC HD 10	AC HD 11	AC HD 12			AC HD 13
		FUEL FILTER (LUCAS)															
1	2547 0911 01 18	Assy Fuel Filter {Lucas}	1	1	1	1	1	1	1	1	1	1	1	1	1		
2	2547 0911 01 05	Assy Bracket (Fuel Filter Mtg.)		1	1	1	1		1	1			1	1	1	1	R
2	2547 0911 01 30	Assy Bracket (Fuel Filter Mtg.)	1			1	1	1		1	1	1			1		L
8	2547 0911 01 19	Assy Filter Element and Seals (7111-296)	1	1	1	1	1	1	1	1	1	1	1	1	1		
9	2547 0912 01 12	Assy Fuel Line (Filter To FIP)-Lucas	1	1	1	1	1	1	1	1	1	1	1	1	1		
12	2547 0911 33 04	Bracket (Lucas Fuel Filter)	1	1	1	1	1	1	1	1	1	1	1	1	1		
14	2547 0911 86 01	Spacer Lucas F.F. MTG. BKT.)	1			1	1	1		1	1		1		1		L
14	2547 0911 86 01	Spacer Lucas F.F. MTG. BKT.)		1	1	1	1		1	1		1	1	1	1		R

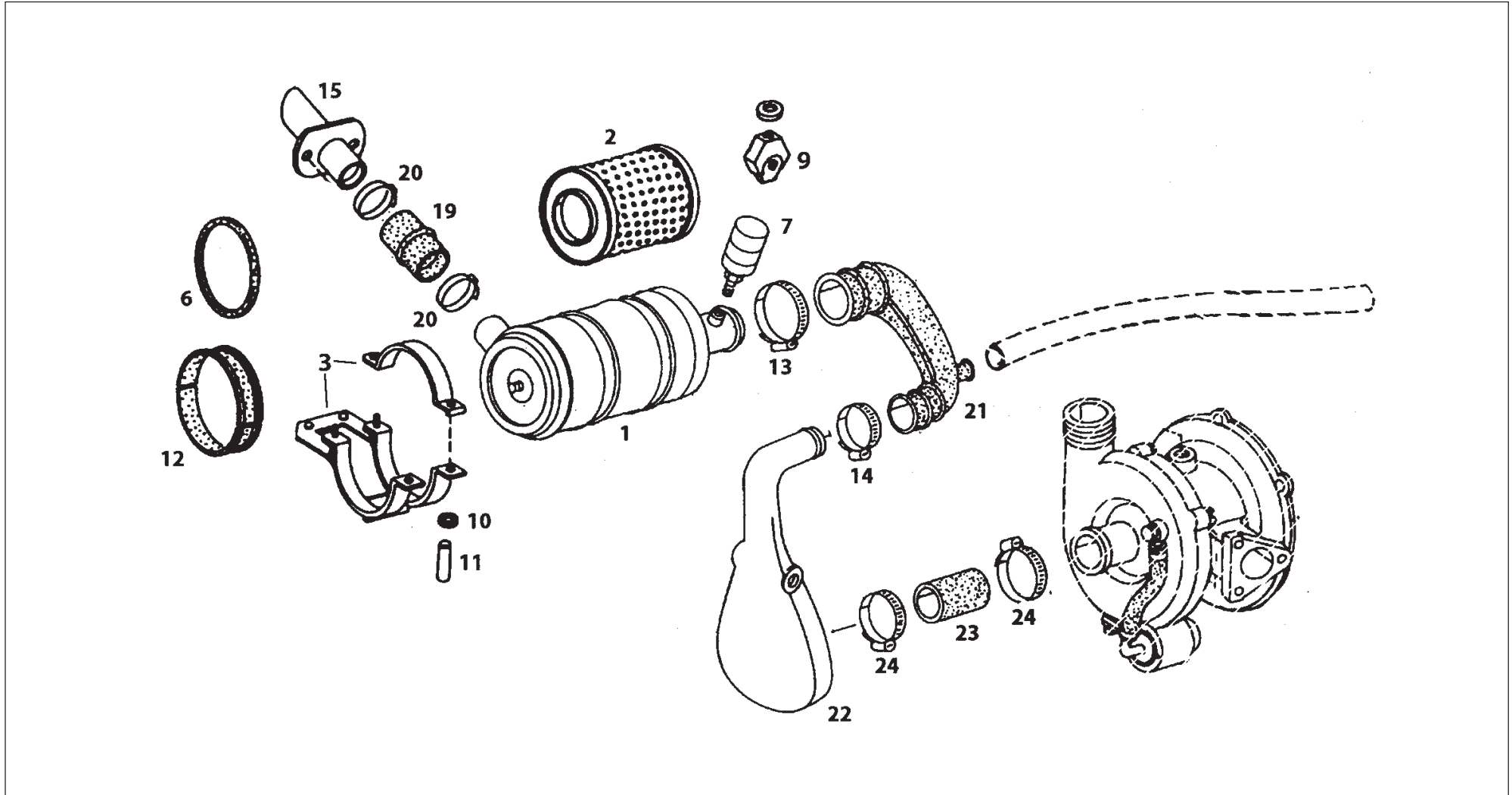


TABLE 09.3
AIR FILTER
GROUP 09

FIG. NO.	PART NUMBER	DESCRIPTION	SINGLE CAB						CREW CAB						R/L	REMARKS		
			4 x 2			4 x 4			4 x 2			4 x 4						
			AC HD 1	AC HD 2	AC HD 3	HD 4	HD 5	AC HD 6	AC HD 7	AC HD 8	HD 9	AC HD 10	AC HD 11	AC HD 12			AC HD 13	HD 14
		AIR FILTER																
1	2547 0913 02 24	Assy Air Filter Complete	1	1	1	1	1	1	1	1	1	1	1	1	1	1		
2	2547 0913 01 82	Assy Filter Element	1	1	1	1	1	1	1	1	1	1	1	1	1	1		
3	2547 0913 03 40	Assy Bracket (Air Filter Mounting)	1	1	1	1	1	1	1	1	1	1	1	1	1	1		
6	2547 0913 77 11	Rubber Seal (Top Cover-air Filter)	1	1	1	1	1	1	1	1	1	1	1	1	1	1		
7	2547 0913 01 35	Assy Service Indicator	1	1	1	1	1	1	1	1	1	1	1	1	1	1		
9	2547 0913 99 19	Banjo (On Air Filter)	1	1	1	1	1	1	1	1	1	1	1	1	1	1		
10	2547 0913 75 02	Grommet	3	3	3	3	3	3	3	3	3	3	3	3	3	3		
11	2547 0913 69 04	Tube.	3	3	3	3	3	3	3	3	3	3	3	3	3	3		
12	2547 0913 99 14	Rubber Strap(260)	4	4	4	4	4	4	4	4	4	4	4	4	4	4		
13	2547 0913 42 14	Hose Clamp (82 Dia.)	1	1	1	1	1	1	1	1	1	1	1	1	1	1		
14	2547 0913 42 16	Hose Clamp (62 Dia.)	1	1	1	1	1	1	1	1	1	1	1	1	1	1		
15	2547 0913 69 24	Suction Pipe (Air Filter)	1	1	1	1	1	1	1	1	1	1	1	1	1	1		
19	2547 0913 58 23	Rubber Hose (Air Filter Suction)	1	1	1	1	1	1	1	1	1	1	1	1	1	1		
20	2547 0913 42 15	Hose Clamp (72 Dia.)	1	1	1	1	1	1	1	1	1	1	1	1	1	1		
21	2547 0913 02 65	Hose-Air Filter Outlet	1	1	1	1	1	1	1	1	1	1	1	1	1	1		
22	2547 0913 38 16	Air Intake Scoop	1	1	1	1	1	1	1	1	1	1	1	1	1	1		
23	2547 0913 58 28	Rubber Hose (Scoop To TC)	1	1	1	1	1	1	1	1	1	1	1	1	1	1		
24	2547 0913 42 17	Hose Clamp (58 Dia.)	2	2	2	2	2	2	2	2	2	2	2	2	2	2		

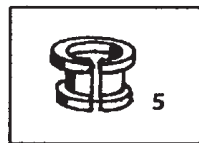
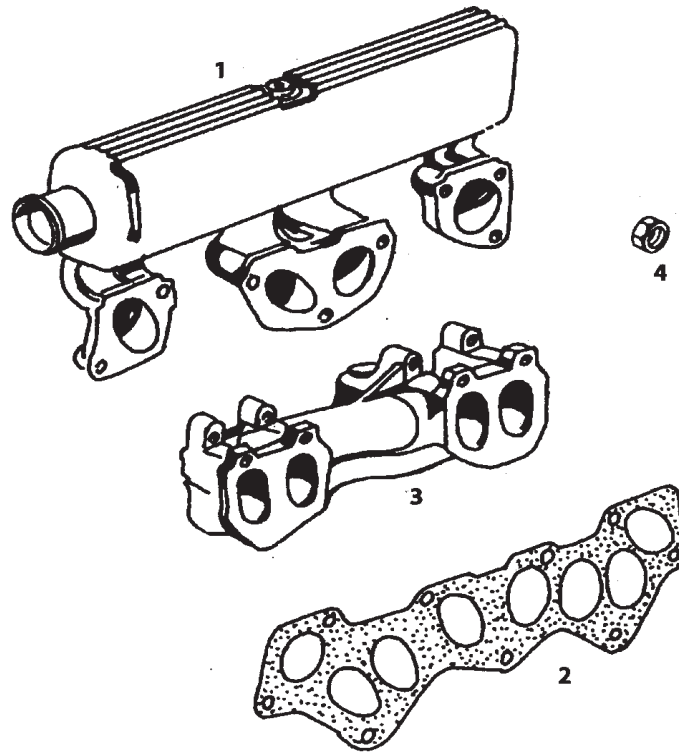


TABLE 14.1

INLET AND EXHAUST MANIFOLD

GROUP 14

FIG. NO.	PART NUMBER	DESCRIPTION	SINGLE CAB						CREW CAB						R/L	REMARKS	
			4 x 2				4 x 4		4 x 2				4 x 4				
			AC HD 1	AC HD 2	AC HD 3	HD 4	HD 5	AC HD 6	AC HD 7	AC HD 8	HD 9	AC HD 10	AC HD 11	AC HD 12			AC HD 13
		INLET AND EXHAUST MANIFOLD															
1	2547 1410 38 13	Inlet Manifold Euro II	1	1	1	1	1	1	1	1	1			1	1		Euro II
1	2547 1410 38 19	Inlet Manifold Euro III			1	1	1		1	1	1	1	1		1		Euro III
2	2547 1411 53 08	Gasket (Inlet - Exhaust Manifold)	1	1	1	1	1	1	1	1	1	1	1	1	1	1	
3	2547 1411 37 04	Exhaust Manifold Euro II	1	1	1	1	1	1	1	1	1		1	1			Euro II
3	2547 1411 37 13	Exhaust Manifold Euro III			1	1	1		1	1	1	1	1		1		Euro III
4	2547 1411 65 03	Clinch Nut	1	1	1	1	1	1	1	1	1	1	1	1	1	1	
5	2547 1410 75 01	Grommet	1	1	1	1	1	1	1	1	1	1	1	1	1	1	

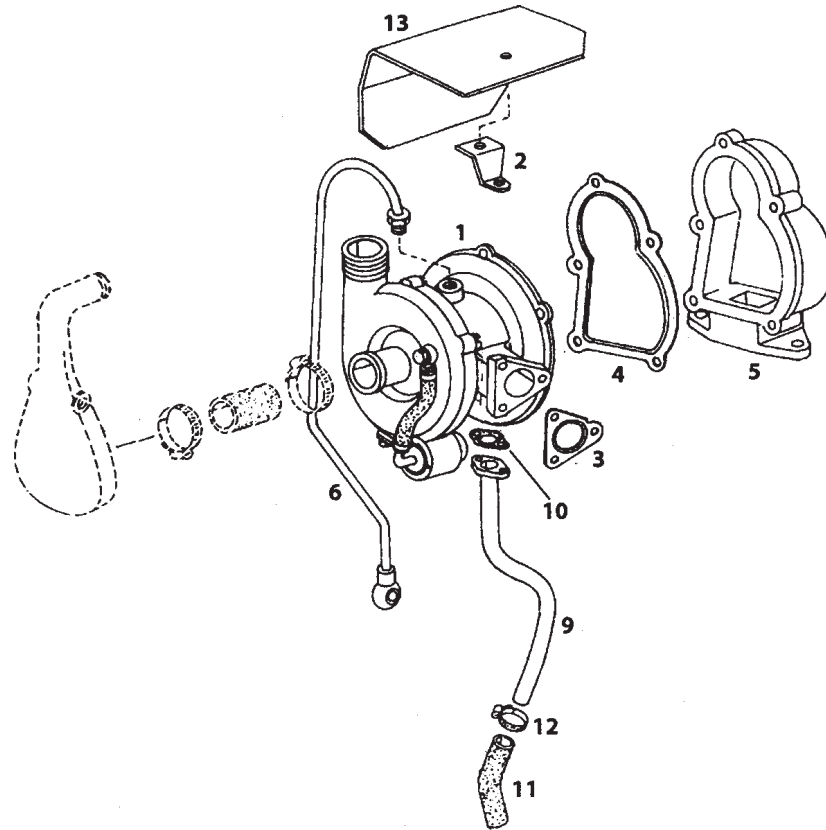


TABLE 14.2

TURBOCHARGER

GROUP 14

FIG. NO.	PART NUMBER	DESCRIPTION	SINGLE CAB						CREW CAB						R/L	REMARKS		
			4 x 2				4 x 4		4 x 2				4 x 4					
			AC HD 1	AC HD 2	AC HD 3	HD 4	HD 5	AC HD 6	AC HD 7	AC HD 8	HD 9	AC HD 10	AC HD 11	AC HD 12			AC HD 13	HD 14
		TURBOCHARGER																
1	2547 1451 01 04	Assy. Turbocharger	1	1	1	1	1	1	1	1	1	1	1	1	1			E-II/III
2	2547 1411 33 01	Bracket (for TC)	1	1	1	1	1	1	1	1	1	1	1	1	1			
3	2547 1411 53 34	Gasket (Turbo Charger Inlet)	1	1	1	1	1	1	1	1	1	1	1	1	1			
4	2547 1411 53 19	Gasket (Turbo Charger Outlet)	1	1	1	1	1	1	1	1	1	1	1	1	1			
5	2547 1411 37 05	Exhaust Elbow	1	1	1	1	1	1	1	1	1	1	1	1	1			
6	2547 1817 01 53	Assy. Oil Line (Oil Cooler Cover to Turbocharger)	1	1	1	1	1	1	1	1	1	1	1	1	1			
9	2547 1817 01 54	Assy. Tube (Turbocharger Oil Return)	1	1	1	1	1	1	1	1	1	1	1	1	1			
10	2547 1413 53 04	Gasket (Assy. Tube to Turbocharger)	1	1	1	1	1	1	1	1	1	1	1	1	1			
11	2547 1817 58 08	Rubber Hose (Turbocharger Oil Return)	1	1	1	1	1	1	1	1	1	1	1	1	1			
12	2547 0117 42 11	Hose Clamp (26 mm Dia.)	2	2	2	2	2	2	2	2	2	2	2	2	2			
13	2547 1411 01 04	Assy. Heat Shield Euro II	1	1	1	1	1	1	1	1	1		1	1				Euro II
13	2547 1411 01 13	Assy. Heat Shield Euro III			1	1	1		1	1	1	1	1		1			Euro III
	2547 1411 65 03	Clinch Nut	1	1	1	1	1	1	1	1	1	1	1	1	1			

TABLE 14.3

INTERCOOLER (DOUBLE PIPE)

GROUP 14

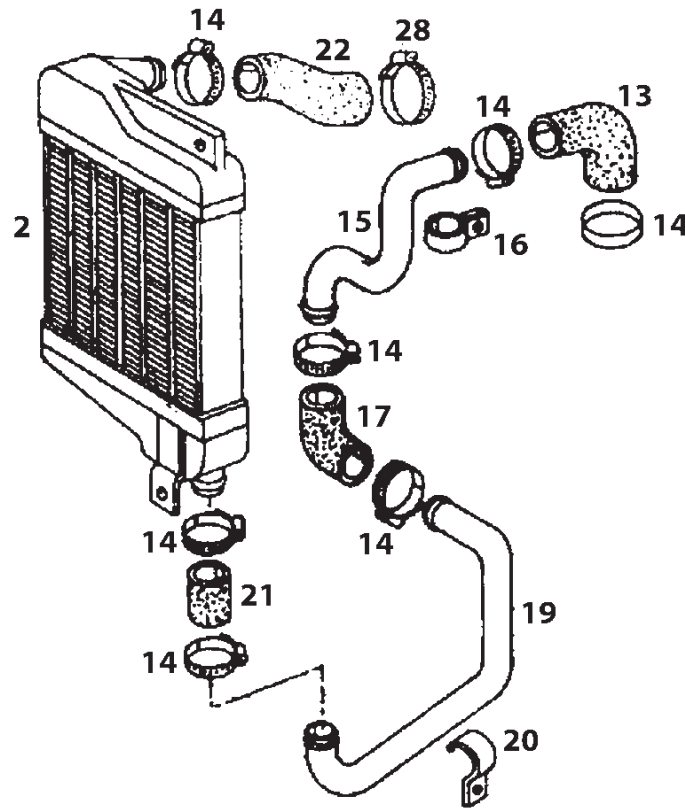


TABLE 14.3
INTERCOOLER (DOUBLE PIPE)
GROUP 14

FIG. NO.	PART NUMBER	DESCRIPTION	SINGLE CAB						CREW CAB						R/L	REMARKS		
			4 x 2				4 x 4		4 x 2				4 x 4					
			AC HD 1	AC HD 2	AC HD 3	HD 4	HD 5	AC HD 6	AC HD 7	AC HD 8	HD 9	AC HD 10	AC HD 11	AC HD 12			AC HD 13	HD 14
		INTERCOOLER (DOUBLE PIPE)																
2	2547 1460 99 38	Intercooler (Alkraft)	1	1	1	1	1	1	1	1	1	1	1	1	1	1		Euro II & III
2	2547 1460 99 37	Intercooler (Tata Toyo)	1	1	1	1	1	1	1	1	1	1	1	1	1	1		Optional
13	2547 1460 58 17	Rubber Hose (Top) (TC to Pipe)	1	1	1	1	1	1	1	1	1	1	1	1	1	1		Optional
14	2547 1460 42 15	Hose Clamp (65 mm Dia)	7	7	7	7	7	7	7	7	7	7	7	7	7	7		
15	2547 1460 69 48	Pipe, TC to IC (Top)	1	1	1	1	1	1	1	1	1	1	1	1	1	1		
16	2547 1460 42 08	Clamp, TC to IC (Top)	1	1	1	1	1	1	1	1	1	1	1	1	1	1		
17	2547 1460 58 19	Rubber Hose	1	1	1	1	1	1	1	1	1	1	1	1	1	1		
19	2547 1460 69 23	Pipe, TC to IC (Bottom)	1	1	1	1	1	1	1	1	1	1	1	1	1	1		
20	2547 1460 42 07	Clamp, TC to IC (Bottom)	1	1	1	1	1	1	1	1	1	1	1	1	1	1		Optional
20	2547 1460 42 18	Clamp, TC to IC (Bottom)	1	1	1	1	1	1	1	1	1	1	1	1	1	1		Optional
21	2547 1460 58 28	Rubber Hose (Bottom) (Pipe to IC)	1	1	1	1	1	1	1	1	1	1	1	1	1	1		
22	2547 1460 58 24	Rubber Hose (IC to Inlet manifold)	1	1	1	1	1	1	1	1	1	1	1	1	1	1		
28	2547 1460 42 14	Hose Clamp (77 mm Dia)	1	1	1	1	1	1	1	1	1	1	1	1	1	1		

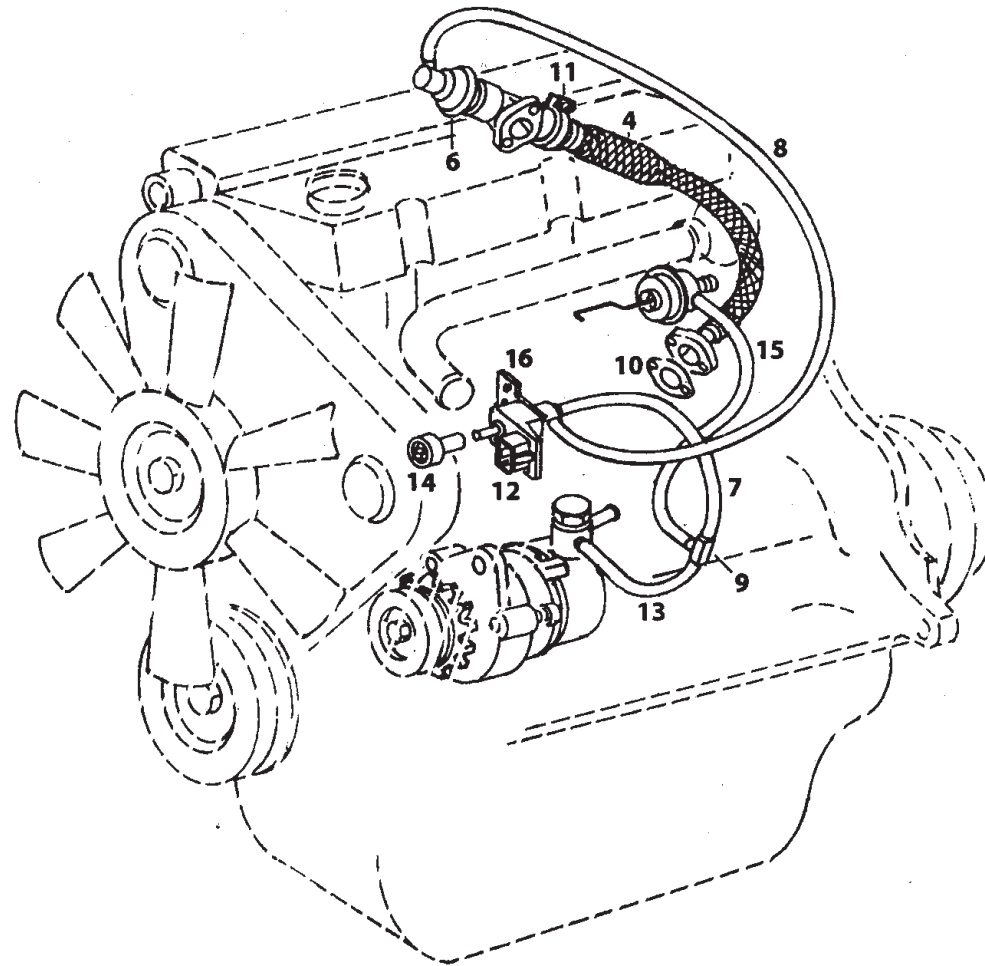


TABLE 14.4

EXHAUST GAS REGULATOR (EGR)

GROUP 14

FIG. NO.	PART NUMBER	DESCRIPTION	SINGLE CAB				CREW CAB				R/L	REMARKS						
			4 x 2		4 x 4		4 x 2		4 x 4									
			AC HD 1	AC HD 2	AC HD 3	HD 4	HD 5	AC HD 6	AC HD 7	AC HD 8			HD 9	AC HD 10	AC HD 11	AC HD 12	AC HD 13	HD 14
		EXHAUST GAS REGULATOR (EGR)																
4	2547 1411 01 09	Assy. EGR Tube			1	1	1			1	1	1	1	1				
6	2547 1411 01 17	Assy. EGR Valve			1	1	1			1	1	1	1	1				
7	2547 1411 58 07	Hose (220 mm Long)			1	1	1			1	1	1	1	1				
8	2547 1411 58 10	Hose (1160 mm Long) (Solenoid Valve to EGR Valve)			1	1	1			1	1	1	1	1				
9	2790 1411 99 02	T-Connector			1	1	1			1	1	1	1	1				
10	2790 1410 53 04	Gasket, EGR Valve			1	1	1			1	1	1	1	1				
12	2790 1411 99 01	Assy. Solenoid Valve			1	1	1			1	1	1	1	1				Optional
12	2790 1411 99 04	Assy. Solenoid Valve			1	1	1			1	1	1	1	1				Optional
13	2547 1411 58 07	Hose (220 mm Long)			1	1	1			1	1	1	1	1				
14	2790 1411 77 01	Protective Sleeve, Solenoid Valve			1	1	1			1	1	1	1	1				
15	2547 1411 58 06	Hose (250 mm Long)			1	1	1			1	1	1	1	1				
16	2547 1411 01 16	Assy. Bracket, Solenoid Valve Mtg. on FIP			1	1	1			1	1	1	1	1				
	2547 1411 99 05	Adaptor, Solenoid Valve Mtg Bkt.			1	1	1			1	1	1	1	1				

TABLE 15.1

ENGINE ELECTRICAL EQUIPMENT (NON-A/C)

GROUP 15

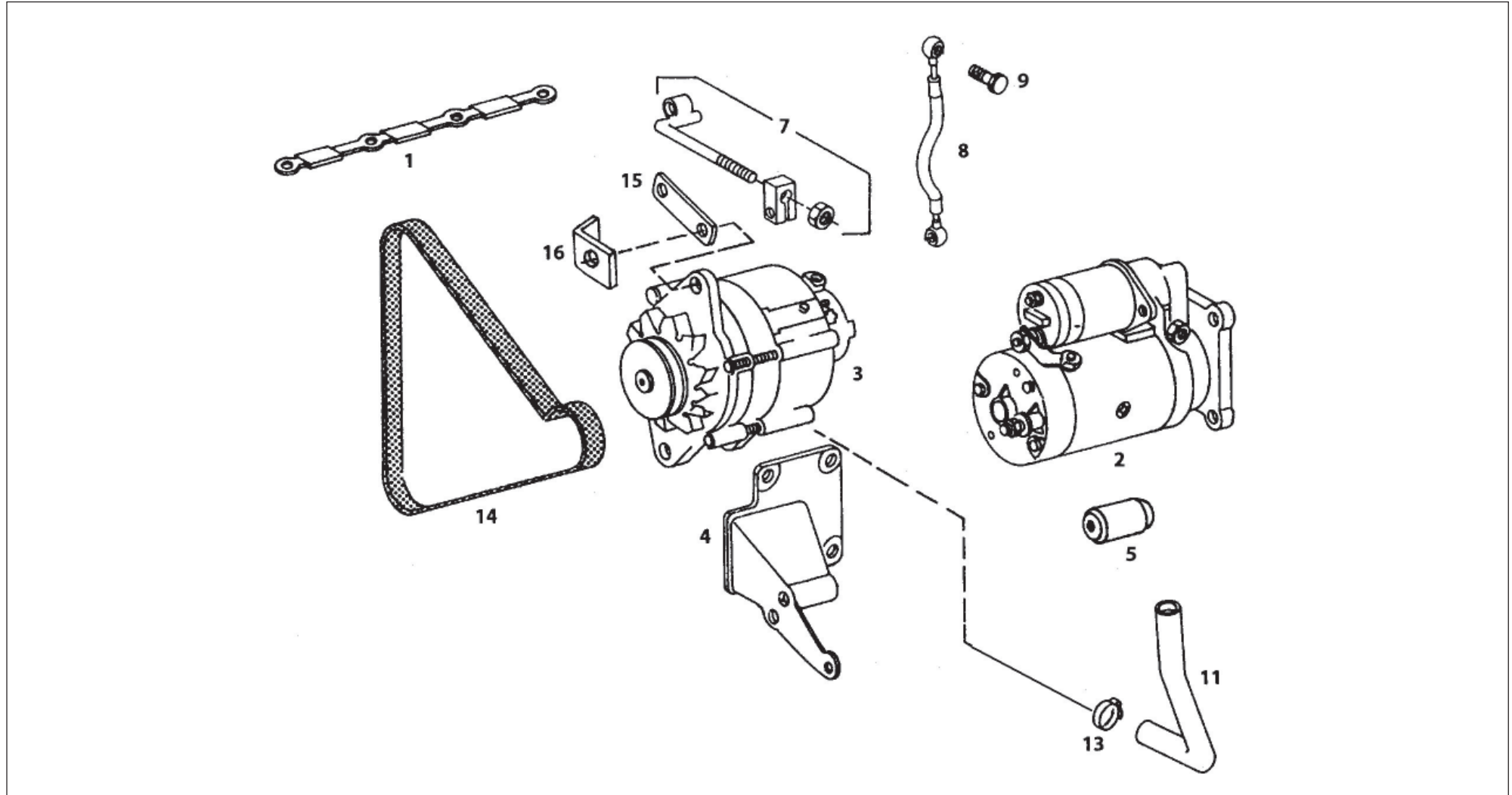


TABLE 15.1

ENGINE ELECTRICAL EQUIPMENT (NON A/C)

GROUP 15

FIG. NO.	PART NUMBER	DESCRIPTION	SINGLE CAB						CREW CAB						R/L	REMARKS	
			4 x 2			4 x 4			4 x 2			4 x 4					
			AC HD 1	AC HD 2	AC HD 3	HD 4	HD 5	AC HD 6	AC HD 7	AC HD 8	HD 9	AC HD 10	AC HD 11	AC HD 12			AC HD 13
		ENGINE ELECTRICAL EQUIPMENT (NON A/C)															From Sept. 2004
1	2654 1540 71 03	Connecting Strip (Glow Plug)				1	1					1				1	
2	2654 1540 99 18	Starter Motor (Valeo)				1	1					1				1	
3	2654 1540 01 28	Alternator with 4 Groove Pulley (70A)				1	1					1				1	Optional
3	2658 1540 01 07	Alternator with 4 Groove Pulley (65A)				1	1					1				1	Optional
3	2658 1540 01 30	Alternator with 4 Groove Pulley (65A)				1	1					1				1	Optional
4	2547 1514 37 04	Bracket, Alternator Mtg.				1	1					1				1	
5	2654 1540 48 03	Dowel Sleeve (Starter)				1	1					1				1	
7	2547 1514 01 28	Assy. Tensioning Rod + Clamp Nut + Thin Nut				1	1					1				1	
8	2547 1513 01 16	Assy. Oil Line				1	1					1				1	
9	2547 1513 32 02	Pipe Union Bolt				1	1					1				1	
11	2547 1513 58 06	Rubber Hose (Vacuum Pump to Sump)				1	1					1				1	
13	2547 1513 42 02	Hose Clamp (23 mm Dia.)				2	2					2				2	
14	2547 1514 63 21	Poly V-Belt with 4 Groove (1050 mm) (Alternator)				1	1					1				1	Optional
14	2547 1514 63 29	Poly V-Belt with 4 Groove (1045 mm) (Alternator)				1	1					1				1	Optional
15	2547 1514 71 09	Plate				1	1					1				1	
16	2547 0114 01 09	Assy. Bracket				1	1					1				1	
--	2547 1518 99 03	Glow Plug				1	1					1				1	

TABLE 15.2

ENGINE ELECTRICAL EQUIPMENT (WITH A/C)

GROUP 15

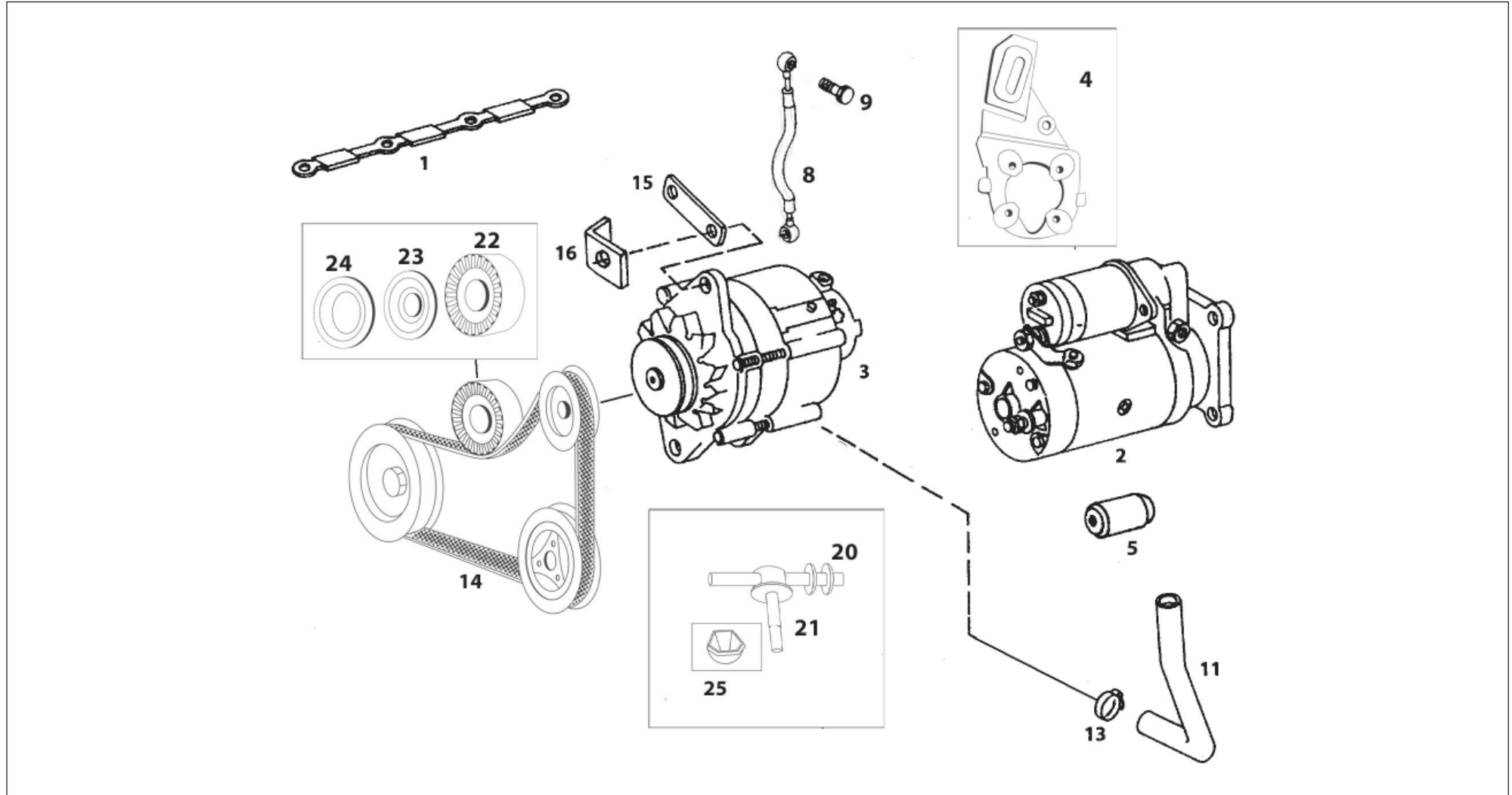


TABLE 15.2

ENGINE ELECTRICAL EQUIPMENT (WITH A/C)

GROUP 15

FIG. NO.	PART NUMBER	DESCRIPTION	SINGLE CAB						CREW CAB						R/L	REMARKS		
			4 x 2			4 x 4			4 x 2			4 x 4						
			AC HD 1	AC HD 2	AC HD 3	HD 4	HD 5	AC HD 6	AC HD 7	AC HD 8	HD 9	AC HD 10	AC HD 11	AC HD 12			AC HD 13	HD 14
		ENGINE ELECTRICAL EQUIPMENT (WITH A/C)																
1	2654 1540 71 03	Connecting Strip (Glow Plug)	1	1	1					1	1	1			1	1	1	1
2	2654 1540 99 18	Starter Motor (Valeo)	1	1	1					1	1	1			1	1	1	1
3	2698 1540 99 06	Alternator with 6 Groove Pulley (75A)	1	1	1					1	1	1			1	1	1	1
3	2654 1540 01 29	Alternator with 6 Groove Pulley (65A)	1	1	1					1	1	1			1	1	1	1
4	2547 1514 37 13	Bracket, Alternator & ZF PStrg. Mtg.	1	1	1					1	1	1			1	1	1	1
5	2654 1540 48 03	Dowel Sleeve (Starter)	1	1	1					1	1	1			1	1	1	1
8	2547 1513 01 16	Assy. Oil Line	1	1	1					1	1	1			1	1	1	1
9	2547 1513 32 02	Pipe Union Bolt	1	1	1					1	1	1			1	1	1	1
11	2547 1513 58 06	Rubber Hose (Vacuum Pump to Sump)	1	1	1					1	1	1			1	1	1	1
13	2547 1513 42 02	Hose Clamp (23 mm Dia.)	2	2	2					2	2	2			2	2	2	2
14	2547 2311 63 30	Poly V-Belt with 6 Groove (1045 mm)	1	1	1					1	1	1			1	1	1	1
15	2547 1514 71 09	Plate, Alternator Mtg. Top	1	1	1					1	1	1			1	1	1	1
16	2547 0114 01 09	Assy. Bracket	1	1	1					1	1	1			1	1	1	1
20	2547 1514 80 01	Tensioning Screw (for Belt)	1	1	1					1	1	1			1	1	1	1
21	2547 2312 32 05	Slider Bolt	1	1	1					1	1	1			1	1	1	1
22	2547 2312 02 37	Assy. Tensioner Pulley (INA)	1	1	1					1	1	1			1	1	1	1
23	2547 2312 86 02	Spacer	1	1	1					1	1	1			1	1	1	1
24	2547 2312 63 37	Protective Cap	1	1	1					1	1	1			1	1	1	1
25	2547 2312 65 10	Nut	1	1	1					1	1	1			1	1	1	1
--	2547 1518 99 03	Glow Plug	1	1	1					1	1	1			1	1	1	1

} Optional

TABLE 18.1

ENGINE LUBRICATION

GROUP 18

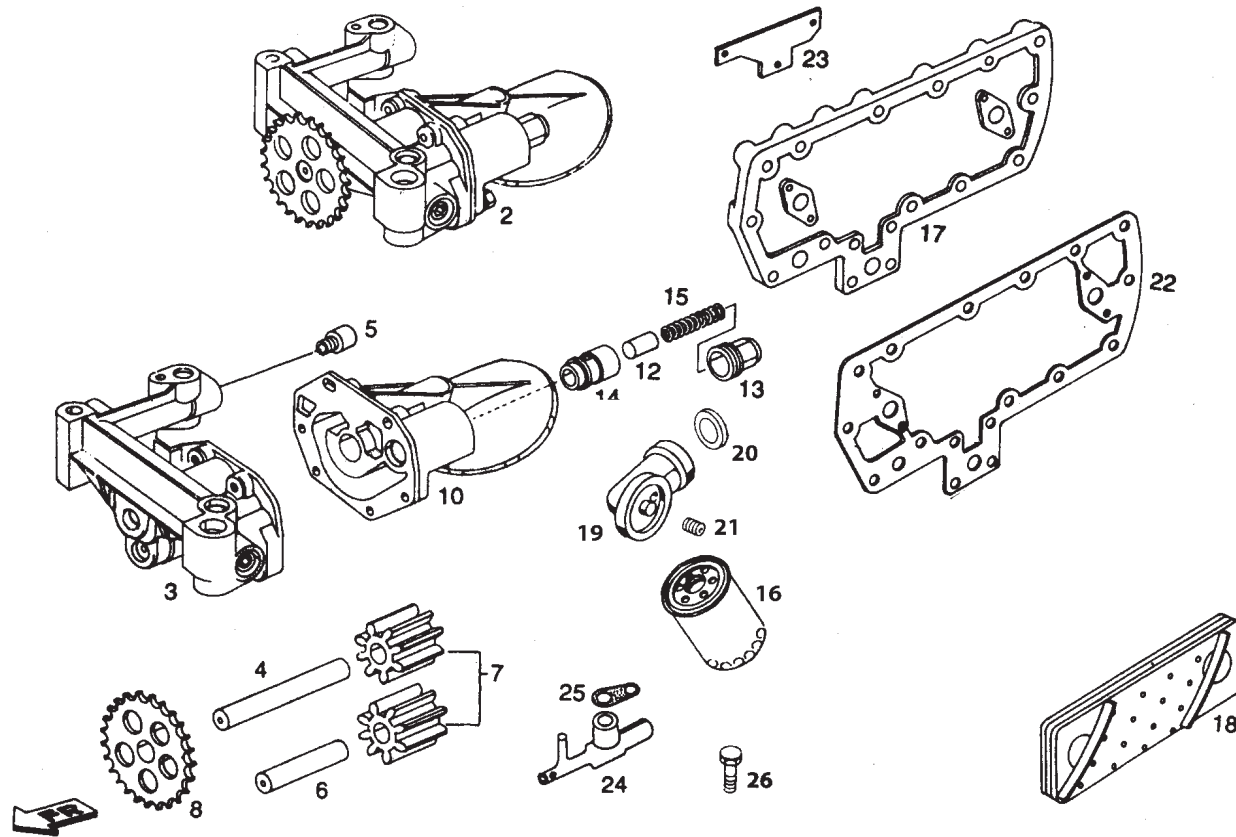


TABLE 18.1
ENGINE LUBRICATION
GROUP 18

FIG. NO.	PART NUMBER	DESCRIPTION	SINGLE CAB							CREW CAB							R/L	REMARKS	
			4 x 2				4 x 4			4 x 2				4 x 4					
			AC HD 1	AC HD 2	AC HD 3	HD 4	HD 5	AC HD 6	AC HD 7	AC HD 8	HD 9	AC HD 10	AC HD 11	AC HD 12	AC HD 13	HD 14			
ENGINE LUBRICATION																			
2	2547 1810 01 32	Assy. Oil Pump	1	1	1	1	1	1	1	1	1	1	1	1	1	1	1		
3	2547 1810 38 01	Housing, Oil Pump	1	1	1	1	1	1	1	1	1	1	1	1	1	1	1		
4	2547 1810 79 02	Shaft, Driven Gear	1	1	1	1	1	1	1	1	1	1	1	1	1	1	1		
5	1608 180160 0	Plug MC 16X1.5	4	4	4	4	4	4	4	4	4	4	4	4	4	4	4		
6	2547 1810 79 01	Shaft, Drive Gear	1	1	1	1	1	1	1	1	1	1	1	1	1	1	1		
7	2547 1810 54 03	Oil Pump Gear	2	2	2	2	2	2	2	2	2	2	2	2	2	2	2		Optional
7	2547 1810 54 04	Oil Pump Gear (Sintered)	2	2	2	2	2	2	2	2	2	2	2	2	2	2	2		Optional
8	2547 1810 89 03	Sprocket, Oil Pump Drive	1	1	1	1	1	1	1	1	1	1	1	1	1	1	1		Optional
8	2547 1810 89 05	Sprocket, Oil Pump Drive	1	1	1	1	1	1	1	1	1	1	1	1	1	1	1		Optional
10	2547 1810 01 31	Assy. Strainer Housing	1	1	1	1	1	1	1	1	1	1	1	1	1	1	1		Optional, for Oil Pump
10	2547 1810 01 43	Assy. Strainer Housing	1	1	1	1	1	1	1	1	1	1	1	1	1	1	1		Optional, for Oil Pump 2547 1810 01 32
12	321 181 00 42	Plunger, Pressure Relief Valve	1	1	1	1	1	1	1	1	1	1	1	1	1	1	1		
13	2547 1810 99 07	Plug, Pressure Relief Valve	1	1	1	1	1	1	1	1	1	1	1	1	1	1	1		
14	2547 1810 37 01	Valve Housing	1	1	1	1	1	1	1	1	1	1	1	1	1	1	1		
15	326 993 04 01	Spring, Pressure Relief Valve	1	1	1	1	1	1	1	1	1	1	1	1	1	1	1		
16	2547 1813 01 06	Assy. Oil Filter	1	1	1	1	1	1	1	1	1	1	1	1	1	1	1		
17	2547 1817 37 04	Cover, Oil Cooler	1	1	1	1	1	1	1	1	1	1	1	1	1	1	1		

TABLE 18.1

ENGINE LUBRICATION

GROUP 18

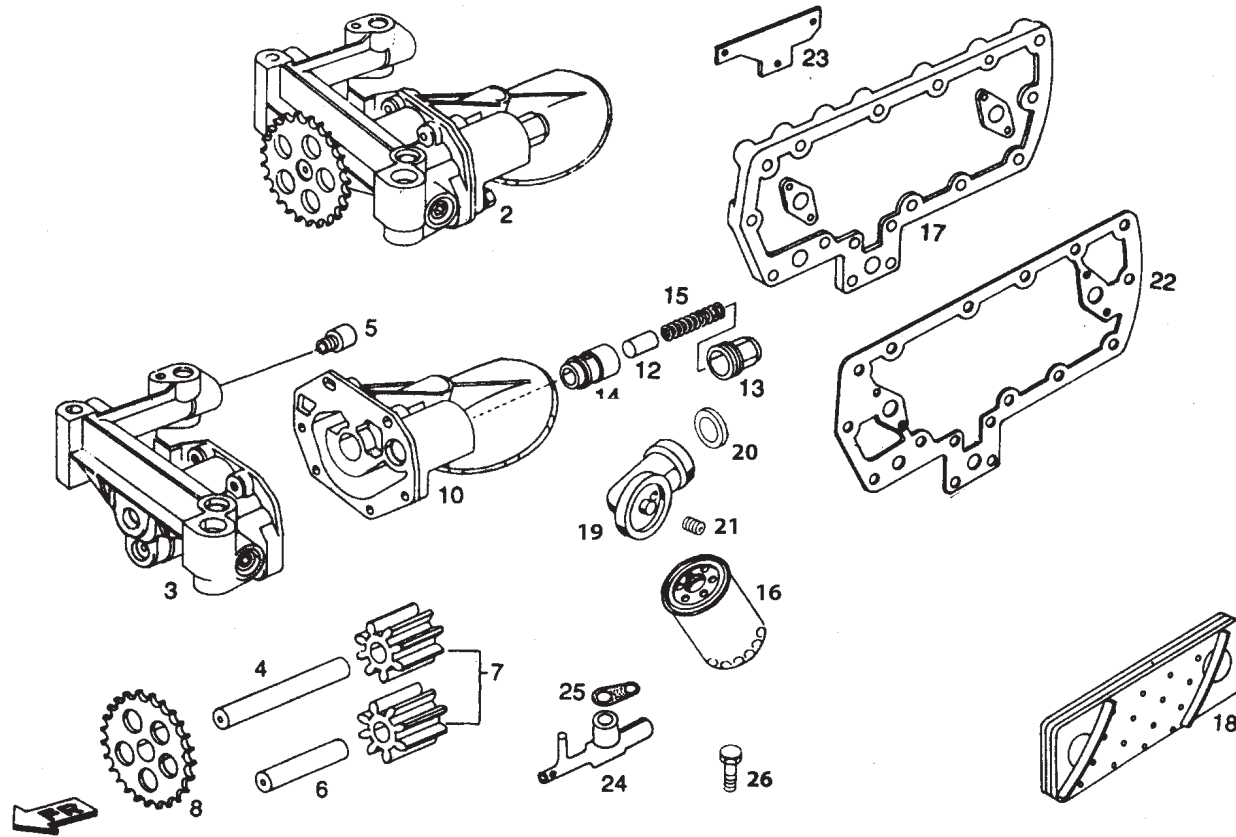


TABLE 18.1

ENGINE LUBRICATION

GROUP 18

FIG. NO.	PART NUMBER	DESCRIPTION	SINGLE CAB						CREW CAB						R/L	REMARKS	
			4 x 2			4 x 4			4 x 2			4 x 4					
			AC HD 1	AC HD 2	AC HD 3	HD 4	HD 5	AC HD 6	AC HD 7	AC HD 8	HD 9	AC HD 10	AC HD 11	AC HD 12			AC HD 13
18	2547 1817 01 23	Assy. Oil Cooler	1	1	1	1	1	1	1	1	1	1	1	1	1		
19	2547 1813 38 02	Adaptor (Oil Filter Mounting)	1	1	1	1	1	1	1	1	1	1	1	1	1		
20	2547 0110 53 09	Gasket, Oil Filter To Cylinder Block	1	1	1	1	1	1	1	1	1	1	1	1	1		
21	2547 0110 99 03	Adapter (For Oil Filter)	1	1	1	1	1	1	1	1	1	1	1	1	1		
22	2547 1817 53 07	Combined Gasket (Oil Cooler Cover to Cyl. Block)	1	1	1	1	1	1	1	1	1	1	1	1	1		
23	2547 1817 01 04	Assy. Heat Shield	1	1	1	1	1	1	1	1	1	1	1	1	1		
24	2547 1817 01 31	Assy. Piston Cooling Nozzle	4	4	4	4	4	4	4	4	4	4	4	4	4		
25	2547 1817 53 06	Gasket, Piston Cooling Nozzle	4	4	4	4	4	4	4	4	4	4	4	4	4		
26	2547 1817 80 01	Hex. Collar Screw	4	4	4	4	4	4	4	4	4	4	4	4	4		

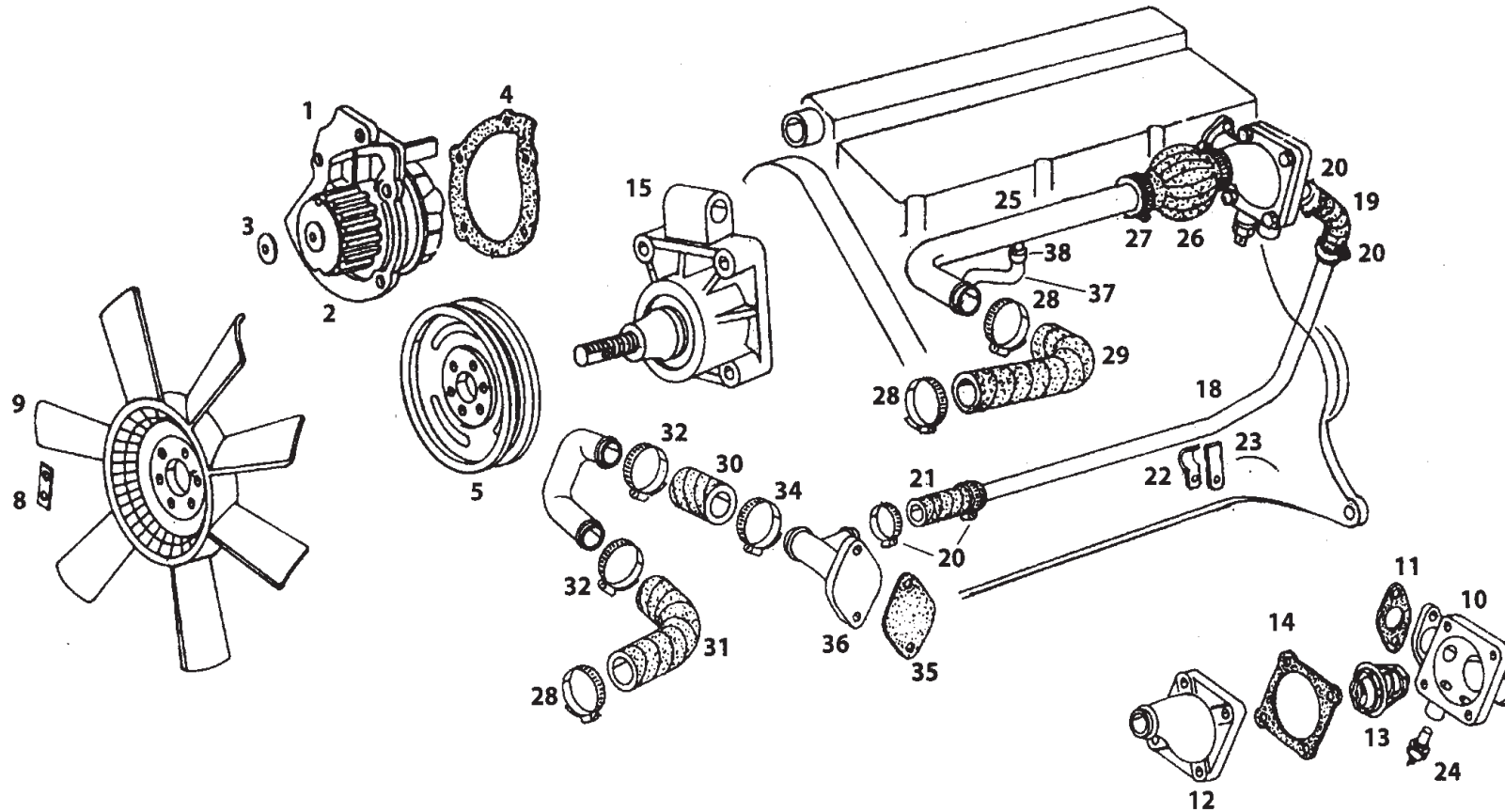


TABLE 20.1

ENGINE COOLING

GROUP 20

FIG. NO.	PART NUMBER	DESCRIPTION	SINGLE CAB							CREW CAB							R/L	REMARKS
			4 x 2				4 x 4			4 x 2				4 x 4				
			AC HD 1	AC HD 2	AC HD 3	HD 4	HD 5	AC HD 6	AC HD 7	AC HD 8	HD 9	AC HD 10	AC HD 11	AC HD 12	AC HD 13	HD 14		
		ENGINE COOLING																
1	2547 2010 01 18	Assy Water Pump	1	1	1	1	1	1	1	1	1	1	1	1	1	1	1	
2	2547 2010 54 01	Gear (Water Pump)	1	1	1	1	1	1	1	1	1	1	1	1	1	1	1	
4	2547 2010 53 06	Gasket (Water Pump)(Betaflex Matl.)	1	1	1	1	1	1	1	1	1	1	1	1	1	1	1	
5	2547 2015 37 21	Fan Pulley (6PK+6PK)	1	1	1			1	1	1		1	1	1	1			
5	2547 2015 37 22	Fan Pulley (4 Groove)				1	1				1						1	
9	2547 2014 01 23	Assy. Fan (w/o Viscous Clutch)	1	1	1	1	1	1	1	1	1	1	1	1	1	1	1	
-	2547 2014 01 24	Viscous Clutch	1	1	1	1	1	1	1	1	1	1	1	1	1	1	1	
-	2547 2014 32 03	Socket Head Bolt (Viscous Clutch)	1	1	1	1	1	1	1	1	1	1	1	1	1	1	1	
-	2547 2014 99 03	Adaptor (For Viscous Cl. Mtg.)	1	1	1	1	1	1	1	1	1	1	1	1	1	1	1	
10	2547 2012 02 04	Assy Thermostat Housing With Adaptor			1	1	1		1	1	1		1	1			1	
10	2547 2012 01 99	Assy Thermostat Housing With Adaptor	1	1		1	1	1	1	1	1					1		
11	2547 2012 53 06	Gasket (Thermostat Hsg To Cyl Head)	1	1	1	1	1	1	1	1	1	1	1	1	1	1	1	
12	2547 2012 38 10	Cover (For Thermostat Pocket)	1	1	1	1	1	1	1	1	1	1	1	1	1	1	1	
13	2547 2012 99 04	Thermostat (83 Deg With Jiggle Pins)	1	1	1	1	1	1	1	1	1	1	1	1	1	1	1	
13	2547 2012 99 08	Thermostat (78 Deg With Jiggle Pins)							1	1								For Ch. Type 374 027 For Ch. Type 374 054
14	2547 2012 53 07	Gasket (Cover To Therm Hsg)	1	1	1	1	1	1	1	1	1	1	1	1	1	1	1	
15	2547 2015 01 26	Assy Bearing Housing - Complete	1	1	1	1	1	1	1	1	1	1	1	1	1	1	1	
18	2547 2012 69 19	Pipe (water Bypass)	1	1	1	1	1	1	1	1	1	1	1	1	1	1	1	
19	2547 2012 58 09	Rubber Hose (Thermostat To Bypass Pipe)	1	1	1	1	1	1	1	1	1	1	1	1	1	1	1	

TABLE 20.1

ENGINE COOLING

GROUP 20

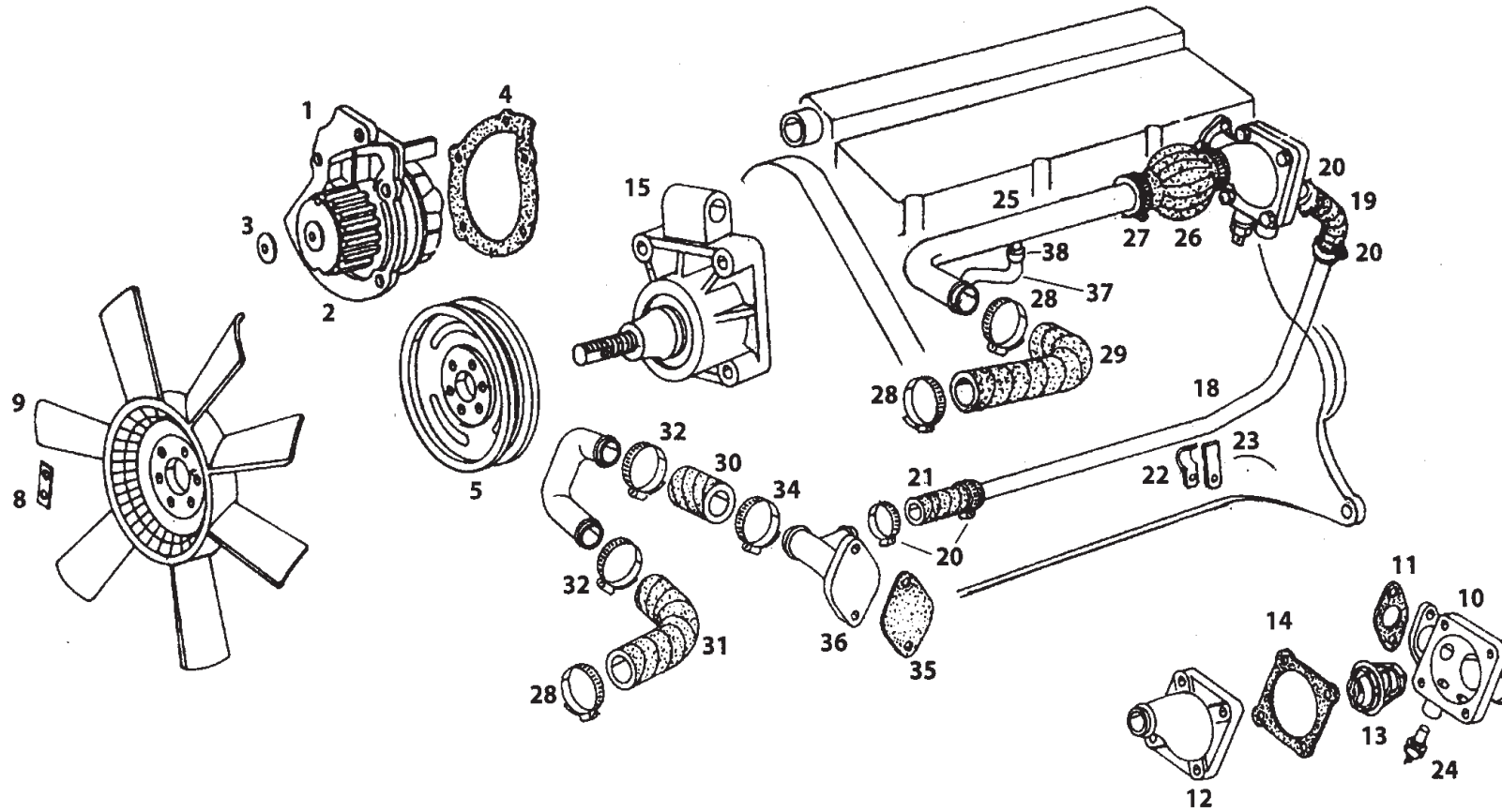


TABLE 20.1

ENGINE COOLING

GROUP 20

FIG. NO.	PART NUMBER	DESCRIPTION	SINGLE CAB							CREW CAB							R/L	REMARKS
			4 x 2				4 x 4			4 x 2				4 x 4				
			AC HD 1	AC HD 2	AC HD 3	HD 4	HD 5	AC HD 6	AC HD 7	AC HD 8	HD 9	AC HD 10	AC HD 11	AC HD 12	AC HD 13	HD 14		
19	2547 2012 58 11	Rubber Hose (Thermostat To Bypass Pipe)	1	1	1	1	1	1	1	1	1	1	1	1	1	1		
20	2547 2012 42 14	Hose Clamp (32 Dia)	2	2	2	2	2	2	2	2	2	2	2	2	2	2		
21	2547 2012 58 13	Rubber Hose, Moulded (Elbow To Bypass)	1	1	1	1	1	1	1	1	1	1	1	1	1	1		
22	2547 2012 42 04	Clamp (Pipe-water Bypass)	1	1	1	1	1	1	1	1	1	1	1	1	1	1		
23	2547 2012 33 03	Bracket (For Water Bypass Pipe)	1	1	1	1	1	1	1	1	1	1	1	1	1	1		
24	2659 5420 99 06	Temp. Transducer	1	1	1	1	1	1	1	1	1	1	1	1	1	1		
25	2547 5010 02 71	Assy Pipe With Bracket	1	1	1	1	1	1	1	1	1	1	1	1	1	1		
26	2534 5000 58 01	Rubber Hose (Cover To U C Pipe)	1	1	1	1	1	1	1	1	1	1	1	1	1	1		
26	2547 2012 58 12	Rubber Hose- Moulded (Cover To Pipe)	1	1	1	1	1	1	1	1	1	1	1	1	1	1		
27	2547 5010 42 22	Hose Clamp (50 Dia)	2	2	2	2	2	2	2	2	2	2	2	2	2	2		
29	2547 5010 58 67	Rubber Hose (Radiator Inlet)(4x4)	1	1	1		1	1	1	1		1	1	1	1			
29	2547 5010 58 66	Rubber Hose (Radiator Inlet)(4x4)				1	1				1					1		
30	2547 5010 58 47	Rubber Hose (Radiator To Elbow)	1	1	1	1	1	1	1	1	1	1	1	1	1	1		
34	2547 5010 42 20	Hose Clamp (60 Dia)	1	1	1	1	1	1	1	1	1	1	1	1	1	1		
35	2547 2012 53 12	Gasket (Elbow To Crankcase)	1	1	1	1	1	1	1	1	1	1	1	1	1	1		
36	2547 2012 01 41	Assy Elbow Water Inlet With Banjo Body	1	1	1	1	1	1	1	1	1	1	1	1	1	1		
37	2547 5010 58 48	Rubber Hose (Adapter To Tube)	2	2	2	2	2	2	2	2	2	2	2	2	2	2		
38	2547 5010 42 25	Hose Clamp (16 dia)	4	4	4	4	4	4	4	4	4	4	4	4	4	4		
39	2547 5010 02 74	Assy Tube with Sleeve (Euro III)	1	1	1	1	1	1	1	1	1	1	1	1	1	1		

TABLE 23.1

AC AND POWER STEERING PUMP MOUNTING

GROUP 23

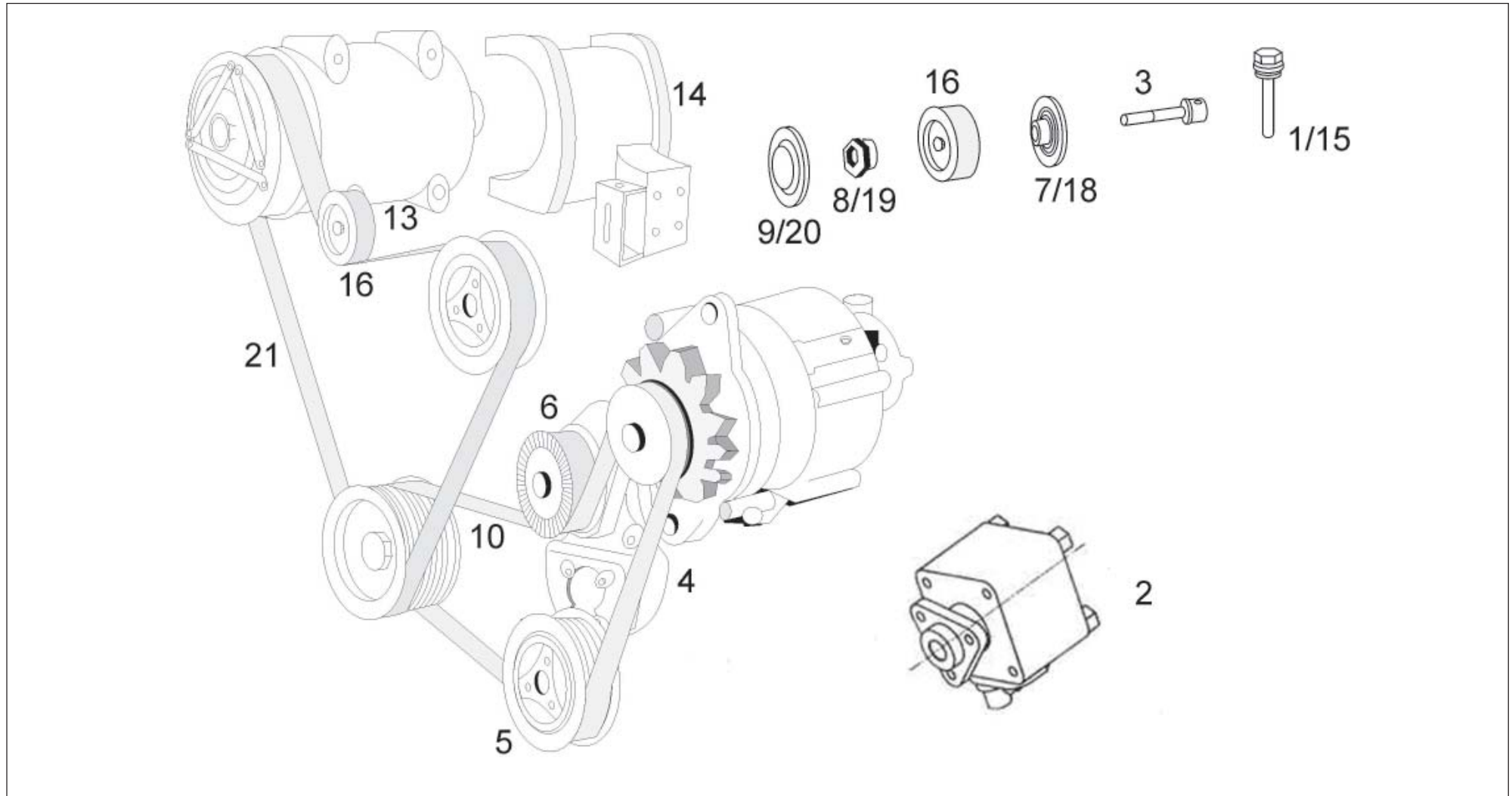


TABLE 23.1

AC AND POWER STEERING PUMP MOUNTING

GROUP 23

FIG. NO.	PART NUMBER	DESCRIPTION	SINGLE CAB						CREW CAB						R/L	REMARKS	
			4 x 2			4 x 4			4 x 2			4 x 4					
			AC HD 1	AC HD 2	AC HD 3	HD 4	HD 5	AC HD 6	AC HD 7	AC HD 8	HD 9	AC HD 10	AC HD 11	AC HD 12			AC HD 13
		AC AND POWER STEERING PUMP MOUNTING															
1	2547 1514 80 01	Tensioning Screw (Alternator Belt)	1	1	1					1	1	1					
2	2699 4660 02 43	Assy. P/Stg Pump M/S Z/F (85+15 Bar)	1	1	1					1	1	1					
3	2547 2312 32 05	Slider Bolt	2	2	2					2	2	2					
4	2547 1514 37 13	Bracket-Alternator & ZF CP1 Pump Mtg.	1	1	1					1	1	1					
5	2547 2311 70 22	Pulley 6PK (ZF-CP1 Pump)	1	1	1					1	1	1					
6	2547 2312 02 37	Assy.Tensioner Pulley	1	1	1					1	1	1					
7	2547 2312 86 02	Spacer (Bearing)	1	1	1					1	1	1					
8	2547 2312 65 10	Nut (For Tensioner Pulley Mtg.)	1	1	1					1	1	1					
9	2547 2312 63 31	Protective Cap (On Bearing)	1	1	1					1	1	1					
10	2547 2311 63 32	Poly-V Belt (1045-Alt+PS Drive)	1	1	1					1	1	1					
13	2547 2312 02 50	Assy. A/C Compressor {10S11} {Subros}	1	1	1					1	1	1					
14	2547 2312 02 52	Assy Bracket (For 10S11) {Subros}	1	1	1					1	1	1					
15	2547 2312 80 02	Tensioning Screw (A/C Compressor Belt)	1	1	1					1	1	1					
16	2547 2312 70 14	Roller (Ac Belt Tensioner)	1	1	1					1	1	1					
17	2547 2311 70 22	Pulley 6 PK, Steering Pump	1	1	1					1	1	1					
18	2547 2312 86 03	Spacer (Bearing)	1	1	1					1	1	1					
19	2547 2312 65 11	Special Nut (Roller)	1	1	1					1	1	1					
20	2547 2312 63 37	Protective Cap (For Bearing)	1	1	1					1	1	1					
21	2547 2312 63 48	Poly V Belt 6PK 1370	1	1	1					1	1	1					

TABLE 23.2

POWER STEERING DRIVE (NON A/C)

GROUP 23

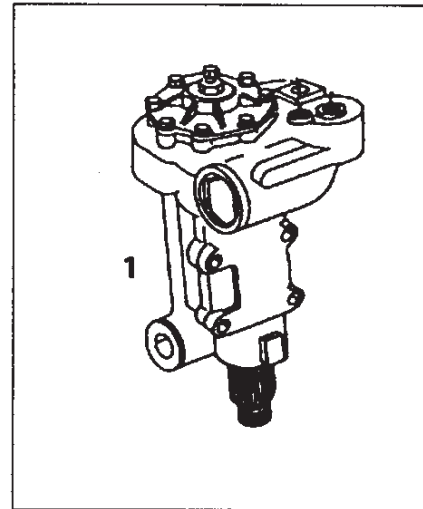
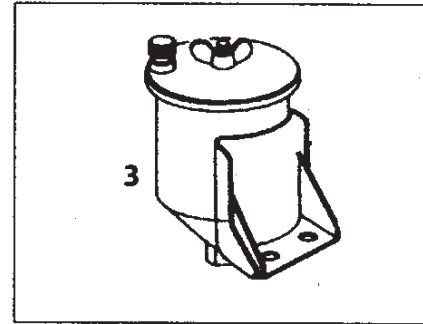
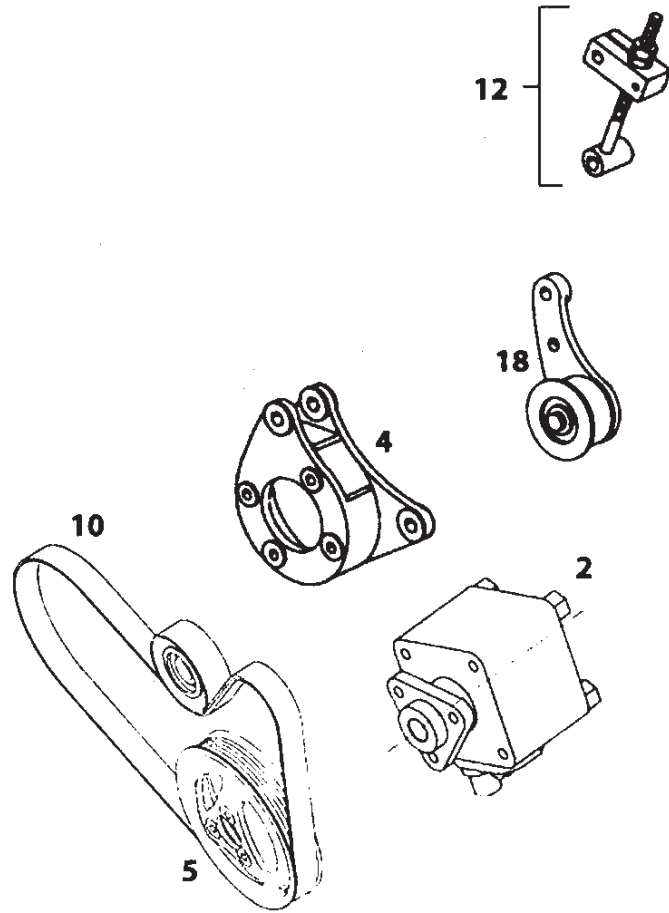


TABLE 23.2

POWER STEERING DRIVE (NON A/C)

GROUP 23

FIG. NO.	PART NUMBER	DESCRIPTION	SINGLE CAB						CREW CAB						R/L	REMARKS	
			4 x 2			4 x 4			4 x 2			4 x 4					
			AC HD 1	AC HD 2	AC HD 3	HD 4	HD 5	AC HD 6	AC HD 7	AC HD 8	HD 9	AC HD 10	AC HD 11	AC HD 12			AC HD 13
		POWER STEERING DRIVE (NON A/C)															
1	2659 4620 01 69	Assy. Power Steering Gearbox (ZF) RHD	1	1	1	1	1	1	1	1	1	1	1	1	1		R
1	2659 4620 01 68	Assy. Power Steering Gearbox (ZF) LHD	1	1	1	1	1	1	1	1	1	1	1	1	1		L
2	2699 4660 02 43	Assy. Power Steering Pump (ZF)				1	1		1	1	1						
3	2699 4660 01 81	Assy. Power Steering Tank (ZF)				1	1		1	1	1						
4	2547 2311 37 07	Bracket, ZF Power Steering Pump Mounting				1	1		1	1	1						
5	2547 2311 70 20	Pulley, ZF Power Steering Pump				1	1		1	1	1						
10	2547 2311 63 22	Cogged V Belt, ZF Power Steering Pump				1	1		1	1	1						
--	2547 2311 67 01	Pivot Pin				1	1		1	1	1						
12	2547 2311 01 06	Assy. Tensioning Rod				1	1		1	1	1						
18	2547 2312 01 29	Assy. Idler				1	1		1	1	1						

TABLE 24.1

ENGINE SUSPENSION

GROUP 24

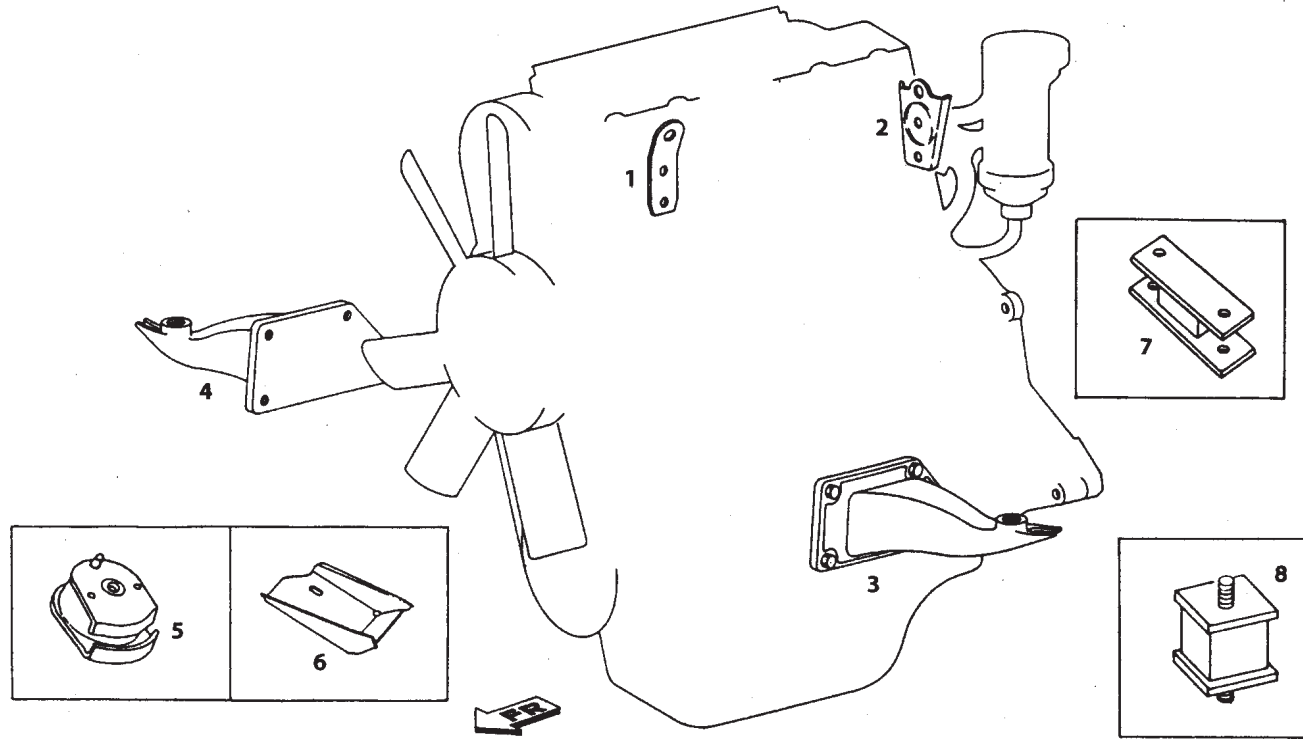


TABLE 24.1

ENGINE SUSPENSION

GROUP 24

FIG. NO.	PART NUMBER	DESCRIPTION	SINGLE CAB						CREW CAB						R/L	REMARKS	
			4 x 2			4 x 4			4 x 2			4 x 4					
			AC HD 1	AC HD 2	AC HD 3	HD 4	HD 5	AC HD 6	AC HD 7	AC HD 8	HD 9	AC HD 10	AC HD 11	AC HD 12			AC HD 13
		ENGINE SUSPENSION															
1	2547 2210 71 01	Lifting Hook (Front)	1	1	1	1	1	1	1	1	1	1	1	1	1		
2	2547 2210 71 02	Lifting Hook (Rear)	1	1	1	1	1	1	1	1	1	1	1	1	1		
3	2547 2210 37 08	Front Engine Support LH	1	1	1	1	1	1	1	1	1	1	1	1	1		
4	2547 2210 37 09	Front Engine Support LH	1	1	1	1	1	1	1	1	1	1	1	1	1		
5	2547 2410 01 01	Assy. Engine Mounting, Front	2	2	2	2	2	2	2	2	2	2	2	2	2		
6	2699 3140 82 01	Support, Engine Mounting Front	1	1	1	1				1	1	1	1				for 4 X 2 only
7	2547 2420 01 03	Assy. Engine Mounting Pad Rear (Gearbox End)	1	1	1	1				1	1	1	1				for 4 X 2 only
8	2547 2420 01 10	Assy. Engine Mounting Pad Rear					1	1	1					1	1	1	for 4 X 4 only

TABLE 25.1

CLUTCH

GROUP 25

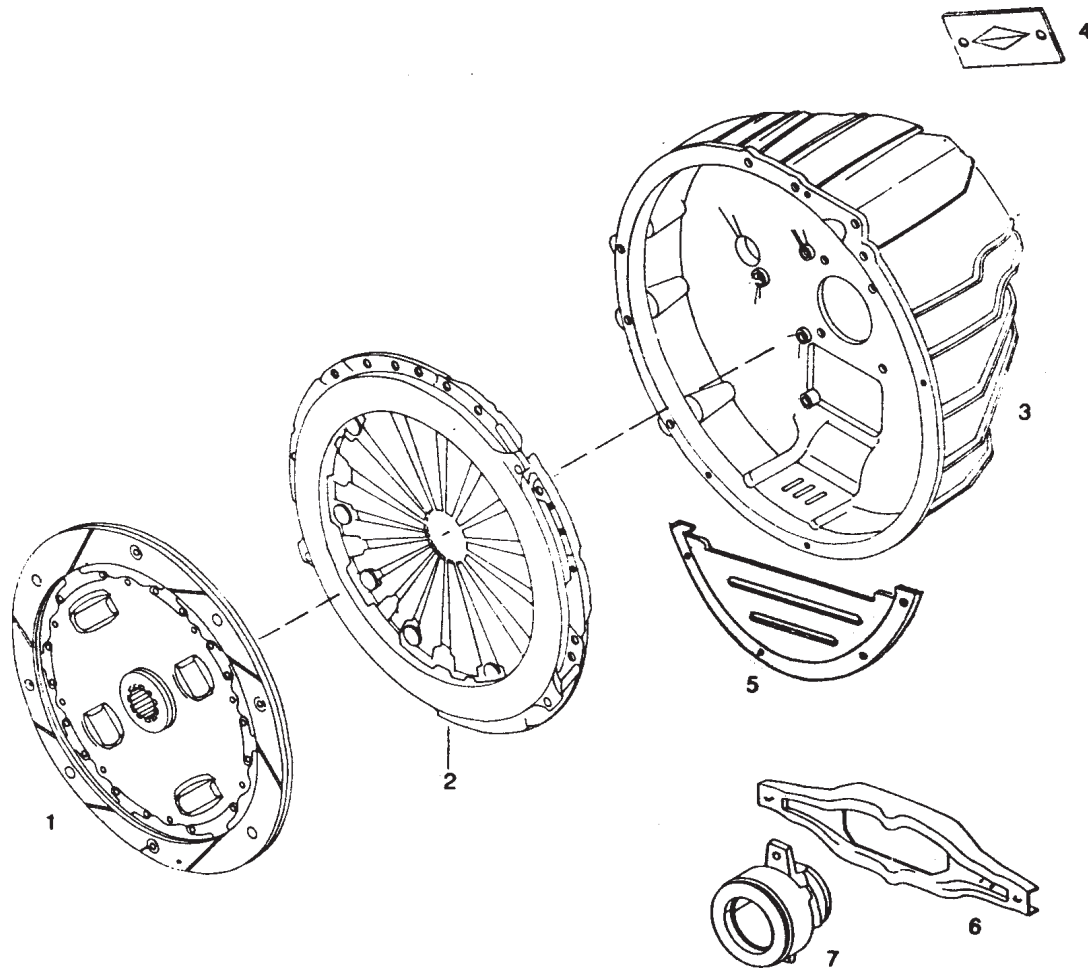


TABLE 25.1

CLUTCH

GROUP 25

FIG. NO.	PART NUMBER	DESCRIPTION	SINGLE CAB								CREW CAB						R/L	REMARKS	
			4 x 2				4 x 4				4 x 2			4 x 4					
			AC HD 1	AC HD 2	AC HD 3	HD 4	HD 5	AC HD 6	AC HD 7	AC HD 8	HD 9	AC HD 10	AC HD 11	AC HD 12	AC HD 13	HD 14			
		CLUTCH																	
1	2699 2520 01 14	Assy. Clutch Disc 228 mm Dia.	1	1	1	1	1	1	1	1	1	1	1	1	1	1	1		
2	2699 2540 01 11	Assy. Pressure Plate 228 mm Dia	1	1	1	1	1	1	1	1	1	1	1	1	1	1	1		
3	2547 2510 38 13	Clutch Housing	1	1	1	1	1	1	1	1	1	1	1	1	1	1	1		
4	2547 2510 82 03	Cover Upper (Clutch Housing)	1	1	1	1	1	1	1	1	1	1	1	1	1	1	1		
5	2699 2510 82 01	Back Cover (Clutch Housing)	1	1	1	1	1	1	1	1	1	1	1	1	1	1	1		
6	2724 2560 01 06	Assy. Clutch Release Fork	1	1	1	1	1	1	1	1	1	1	1	1	1	1	1		
7	2724 2560 01 10	Assy. Clutch Release Beaing (Self Centering)	1	1	1	1	1	1	1	1	1	1	1	1	1	1	1		

TABLE 26.1

GEAR BOX

GROUP 26

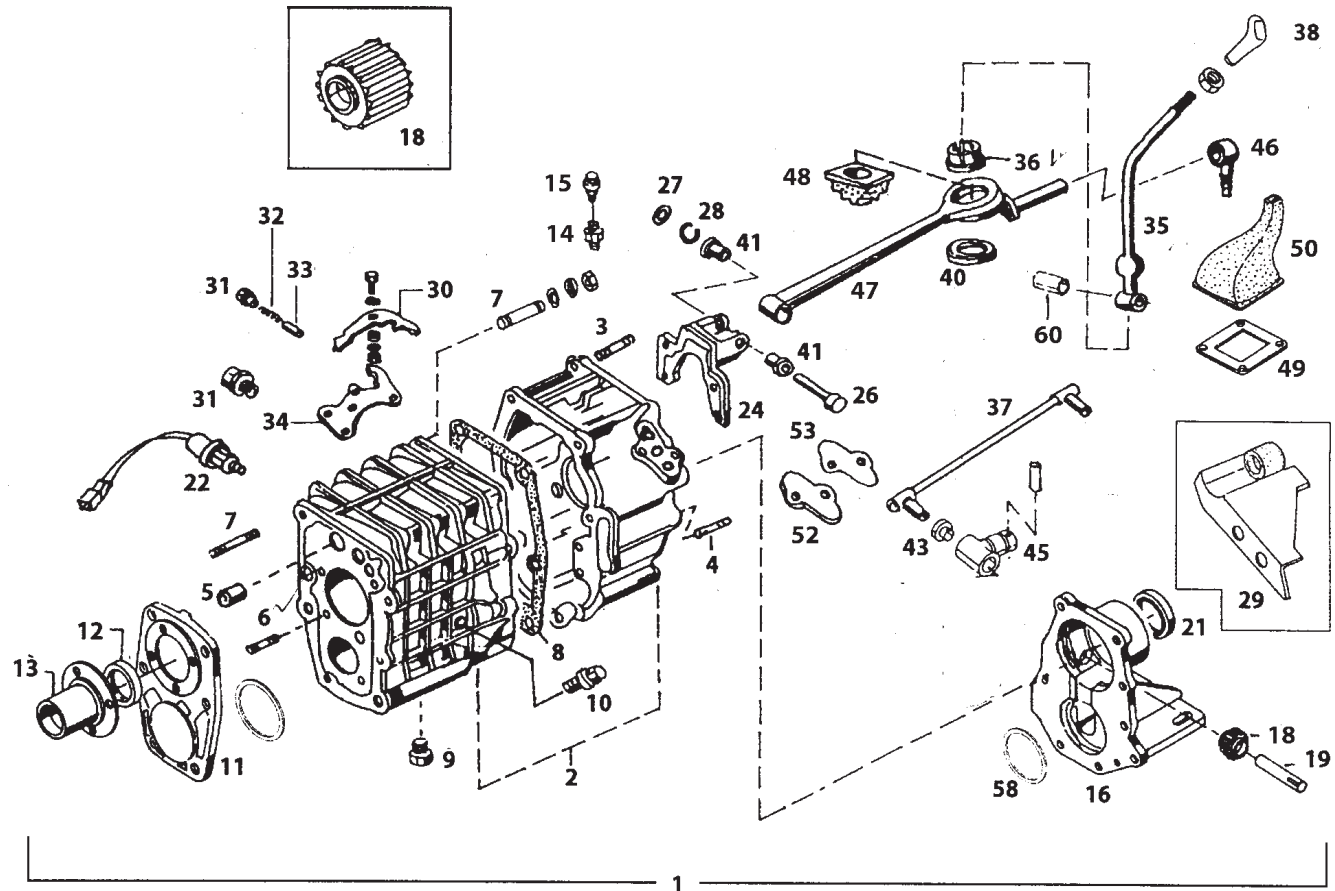


TABLE 26.1

GEAR BOX

GROUP 26

FIG. NO.	PART NUMBER	DESCRIPTION	SINGLE CAB				CREW CAB				R/L	REMARKS						
			4 x 2		4 x 4		4 x 2		4 x 4									
			AC HD 1	AC HD 2	AC HD 3	HD 4	HD 5	AC HD 6	AC HD 7	AC HD 8			HD 9	AC HD 10	AC HD 11	AC HD 12	AC HD 13	HD 14
1	2684 2602 01 07	GEAR BOX Assy. G-76/4.1 Comp, Telcoline Facelift 4x2								1							L	Introduced on Turkey Veh. from Ch.No. MAT37455169L05369
1	2684 2601 03 97	Assy G-76/3.87 Comp,Telcoline Facelift,4X2	1	1	1	1				1	1	1	1					
1	2684 2601 03 99	Assy. G76/3.87 Comp. Telcoline, Facelift,4X4					1	1	1				1	1	1			
2	2684 2610 01 33	Sub Assy. Gear Box Housing	1	1	1	1				1	1	1	1					
2	2684 2610 01 37	Sub Assy. Gear Box Housing					1	1	1				1	1	1			
3	2519 2610 88 04	Stud	8	8	8	8	8	8	8	8	8	8	8	8	8	8		
4	2519 2610 88 08	Stud	6	6	6	6	6	6	6	6	6	6	6	6	6	6		
6	2519 2610 88 06	Stud	11	11	11	11				11	11	11	11					
6	1163 529602 1	Stud CM 8X30					12	12	12				12	12	12			
7	2519 2610 88 02	Stud	1	1	1	1	1	1	1	1	1	1	1	1	1	1		
8	2684 2610 53 01	Gasket	1	1	1	1	1	1	1	1	1	1	1	1	1	1		
9	2663 3510 72 07	Magnetic Drain Plug	1	1	1	1	1	1	1	1	1	1	1	1	1	1		
10	000 997 00 06J	Plug Oil Filling	1	1	1	1	1	1	1	1	1	1	1	1	1	1		
11	2684 2625 38 01	Gear Case Cover Front	1	1	1	1	1	1	1	1	1	1	1	1	1	1		
--	2684 2625 53 01	Gasket, Gear Case Cover Front	1	1	1	1	1	1	1	1	1	1	1	1	1	1		
12	2519 2625 78 01	Double Lip Oil Seal (Drive Shaft)	1	1	1	1	1	1	1	1	1	1	1	1	1	1		
13	2519 2625 01 13	Assy. Brg. Tube (D/shaft)	1	1	1	1	1	1	1	1	1	1	1	1	1	1		

TABLE 26.1

GEAR BOX

GROUP 26

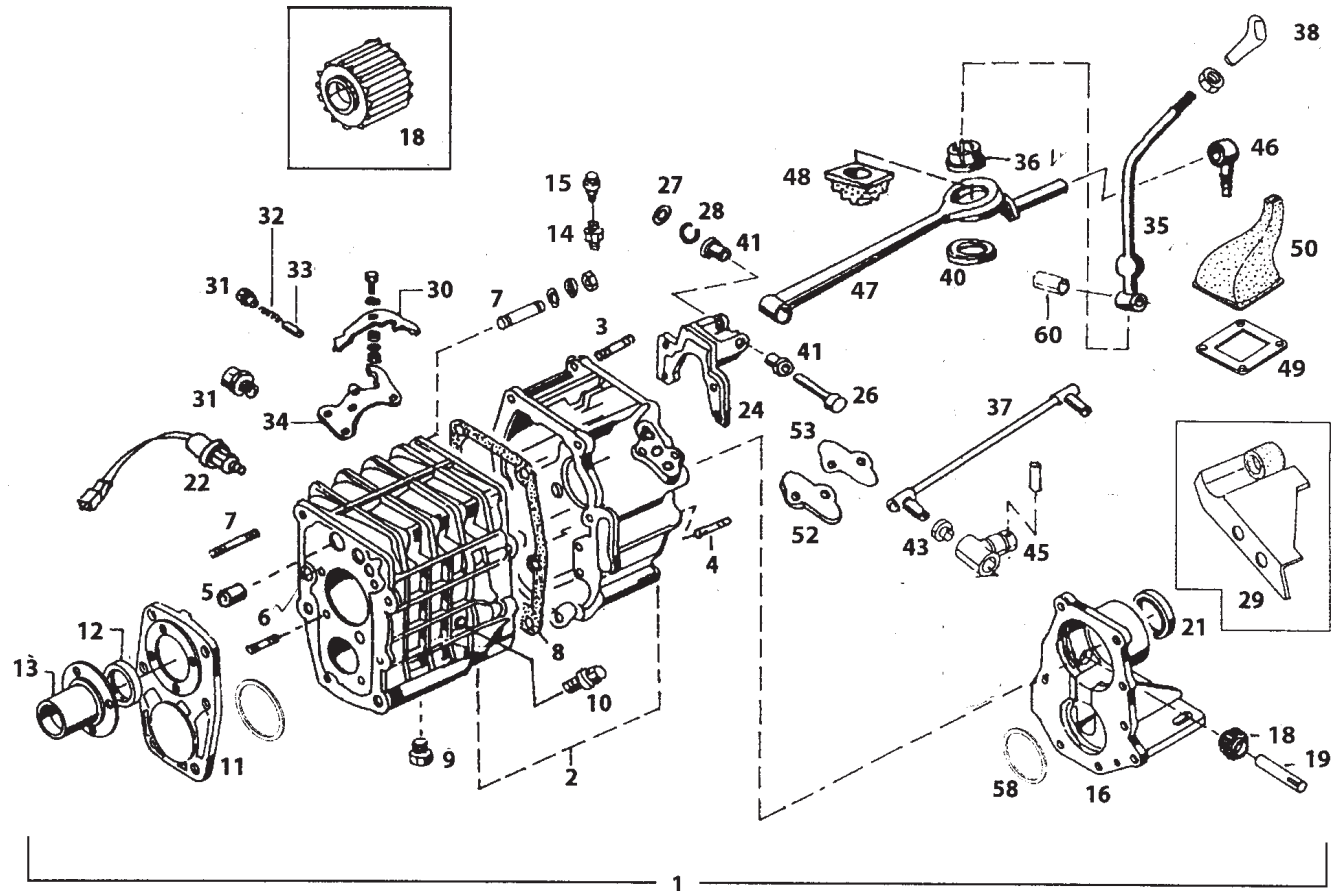


TABLE 26.1

GEAR BOX

GROUP 26

FIG. NO.	PART NUMBER	DESCRIPTION	SINGLE CAB								CREW CAB						R/L	REMARKS
			4 x 2				4 x 4				4 x 2			4 x 4				
			AC HD 1	AC HD 2	AC HD 3	HD 4	HD 5	AC HD 6	AC HD 7	AC HD 8	HD 9	AC HD 10	AC HD 11	AC HD 12	AC HD 13	HD 14		
14	2574 2815 99 02	Adaptor	1	1	1	1	1	1	1	1	1	1	1	1	1	1		
15	2668 3515 01 02	Pressure relief Valve	1	1	1	1	1	1	1	1	1	1	1	1	1	1		
16	2684 2620 01 90	Assembly Rear Cover	1	1	1	1				1	1	1	1					
—	120 261 00 80	Rotary Shaft Seal	1	1	1	1				1	1	1	1					
—	321 261 00 31	Adaptor	1	1	1	1				1	1	1	1					
18	2519 2620 01 05	Speedometer Drive Gear	1	1	1	1				1	1	1	1					
19	2519 2620 79 06	Shaft (Speedometer Drive)	1	1	1	1				1	1	1	1					
21	2519 2620 78 08	Oil Seal (Main Shaft)	1	1	1	1	1	1	1	1	1	1	1	1	1	1		
22	2698 5450 01 40	Reverse Light Switch	1	1	1	1	1	1	1	1	1	1	1	1	1	1		
24	2684 2671 38 01	Bracket (Extension Arm)	1	1	1	1				1	1	1	1					
26	2684 2671 67 02	Pin Extention Arm Bracket	1	1	1	1				1	1	1	1					
27	2696 2680 63 01	Washeer	4	4	4	4	4	4	4	4	4	4	4	4	4	4		
28	2684 2670 82 07	Retainer Plate	2	2	2	2	2	2	2	2	2	2	2	2	2	2		
29	2684 2671 01 27	Assy Bracket With Bush					1	1	1					1	1	1		
30	2684 2651 82 01	Pressure Plate, OD Gear	1	1	1	1	1	1	1	1	1	1	1	1	1	1		
31	2684 2651 72 01	Threaded Plug, OD Pr. Plate	1	1	1	1	1	1	1	1	1	1	1	1	1	1		
32	2684 2651 87 15	Spring (Detent Plate OD Gear)	1	1	1	1	1	1	1	1	1	1	1	1	1	1		
33	2684 2651 34 05	Roller (Detent Plate)	1	1	1	1	1	1	1	1	1	1	1	1	1	1		
34	2684 2651 82 02	Pressure Plate (Reverse Gear)	1	1	1	1	1	1	1	1	1	1	1	1	1	1		
35	2684 2680 01 07	Sub assy. Gear Shift Lever	1	1	1	1				1	1	1	1					

TABLE 26.1

GEAR BOX

GROUP 26

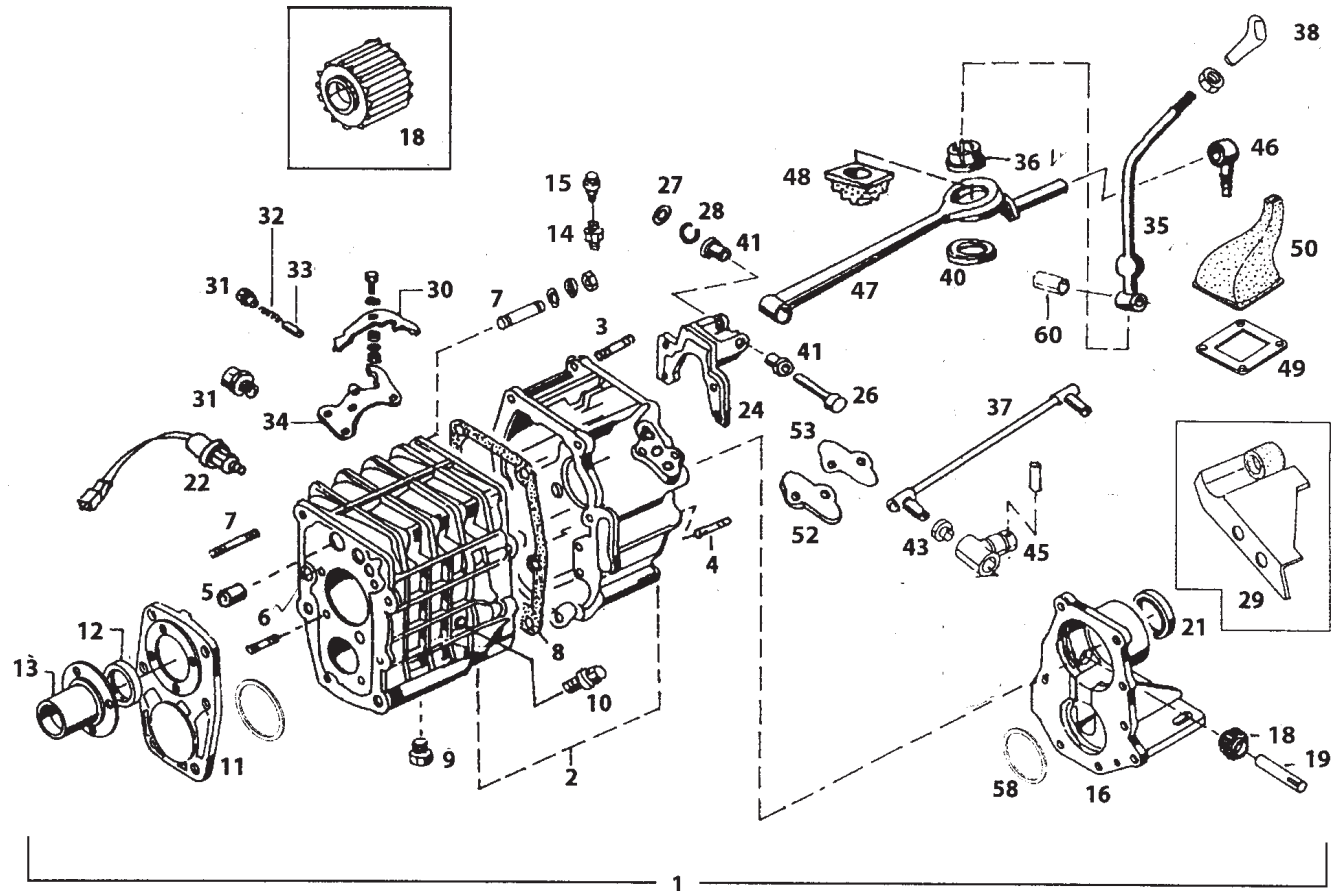


TABLE 26.1
GEAR BOX
GROUP 26

FIG. NO.	PART NUMBER	DESCRIPTION	SINGLE CAB							CREW CAB							R/L	REMARKS
			4 x 2				4 x 4			4 x 2				4 x 4				
			AC HD 1	AC HD 2	AC HD 3	HD 4	HD 5	AC HD 6	AC HD 7	AC HD 8	HD 9	AC HD 10	AC HD 11	AC HD 12	AC HD 13	HD 14		
35	2684 2680 01 23	Sub assy. Gear Shift Lever					1	1	1					1	1	1		
36	2684 2680 34 01	Bush (Ball - Seat Gear Shift Lever)	1	1	1	1	1	1	1	1	1	1	1	1	1	1		
37	2684 2671 01 33	Assy Shift Link	1	1	1	1				1	1	1	1					
38	2684 2680 02 26	Assy Gear Shift Lever Knob (Safari)	1	1	1	1	1	1	1	1	1	1	1	1	1	1		
40	2684 2680 77 04	Rubber Bellow	1	1	1	1	1	1	1	1	1	1	1	1	1	1		
41	2684 2671 63 02	Collar Bush (Extension Arm)	2	2	2	2	2	2	2	2	2	2	2	2	2	2		
43	2684 2671 63 01	Collar Bush (Shift Link)	4	4	4	4	4	4	4	4	4	4	4	4	4	4		
45	2684 2651 37 06	Shifting Yoke (Flat End Version)	1	1	1	1	1	1	1	1	1	1	1	1	1	1		
46	2519 2671 01 33	Assy Ext Box Support (Tatasport)	1	1	1	1				1	1	1	1					
47	2684 2671 38 02	Extension Arm	1	1	1	1				1	1	1	1					
48	2684 2680 77 01	Rubber Sealing(Ext.Arm To Tunnel)	1	1	1	1				1	1	1	1					
48	2684 2680 77 08	Rubber Sealing(Ext.Arm To Tunnel)					1	1	1					1	1	1		
49	2519 2680 82 11	Clamping Plate(For Sealing On Tunnel)	1	1	1	1				1	1	1	1					
49	2684 2680 82 05	Clamping Plate(For Sealing On Tunnel)					1	1	1					1	1	1		
50	2684 2680 77 22	Gaiter (Telcoline Facelift)	1	1	1	1	1	1	1	1	1	1	1	1	1	1		
52	2684 2651 71 01	Detent Cover (Shifter Shaft Detent)	1	1	1	1	1	1	1	1	1	1	1	1	1	1		
53	2684 2651 53 01	Gasket, Detent Cover	1	1	1	1	1	1	1	1	1	1	1	1	1	1		
58	2684 2635 65 01	Hexagon Bolt (Reverse Idler Gear)	1	1	1	1	1	1	1	1	1	1	1	1	1	1		
58	312 263 14 52	Shim 0.125	AR	AR	AR	AR	AR	AR	AR	AR	AR	AR	AR	AR	AR	AR		For Selection
58	312 263 15 52	Shim 0.240	AR	AR	AR	AR	AR	AR	AR	AR	AR	AR	AR	AR	AR	AR		For Selection

TABLE 26.1

GEAR BOX

GROUP 26

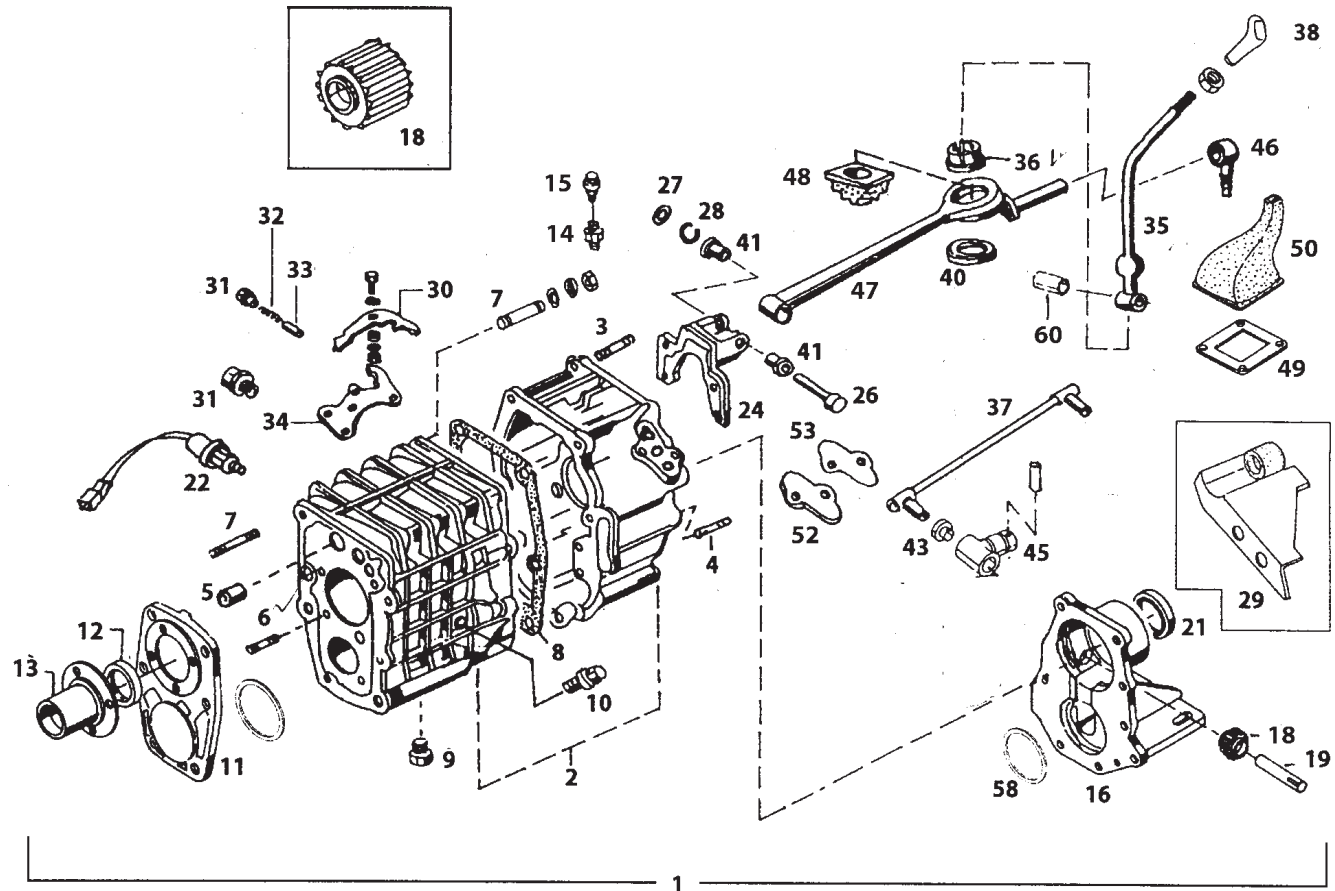


TABLE 26.1

GEAR BOX

GROUP 26

FIG. NO.	PART NUMBER	DESCRIPTION	SINGLE CAB							CREW CAB							R/L	REMARKS
			4 x 2				4 x 4			4 x 2				4 x 4				
			AC HD 1	AC HD 2	AC HD 3	HD 4	HD 5	AC HD 6	AC HD 7	AC HD 8	HD 9	AC HD 10	AC HD 11	AC HD 12	AC HD 13	HD 14		
58	312 263 16 52	Shim 0.500	AR	AR	AR	AR	AR	AR	AR	AR	AR	AR	AR	AR	AR		For Selection	
58	312 263 21 52	Shim 0.050	AR	AR	AR	AR	AR	AR	AR	AR	AR	AR	AR	AR	AR		Forr Selection	
60	2684 2680 34 08	Bush (Gear Shift Lever - Lower)	1	1	1	1				1	1	1	1					
60	2684 2680 34 02	Bush (Gear Shift Lever - Lower)					1	1	1				1	1	1			
--	8854 2601 02 07	Gasket Kit G76 gear Box, Consisting of:-																
8		Gasket	1	1	1	1	1	1	1	1	1	1	1	1	1		Ref Table 26.1	
--		Gasket	1	1	1	1	1	1	1	1	1	1	1	1	1		Ref Table 26.1	
12		Oil Seal (Drive Shaft)	1	1	1	1	1	1	1	1	1	1	1	1	1		Ref Table 26.1	
14		Oil Seal (Selector & shifter Shaft)	1	1	1	1	1	1	1	1	1	1	1	1	1		Ref Table 26.3	
21		Oil Seal (Main Shaft)	1	1	1	1	1	1	1	1	1	1	1	1	1		Ref Table 26.1	
53		Gasket, Detent Cover	1	1	1	1	1	1	1	1	1	1	1	1	1		Ref Table 26.1	

TABLE 26.2

GEAR AND SHAFTS

GROUP 26

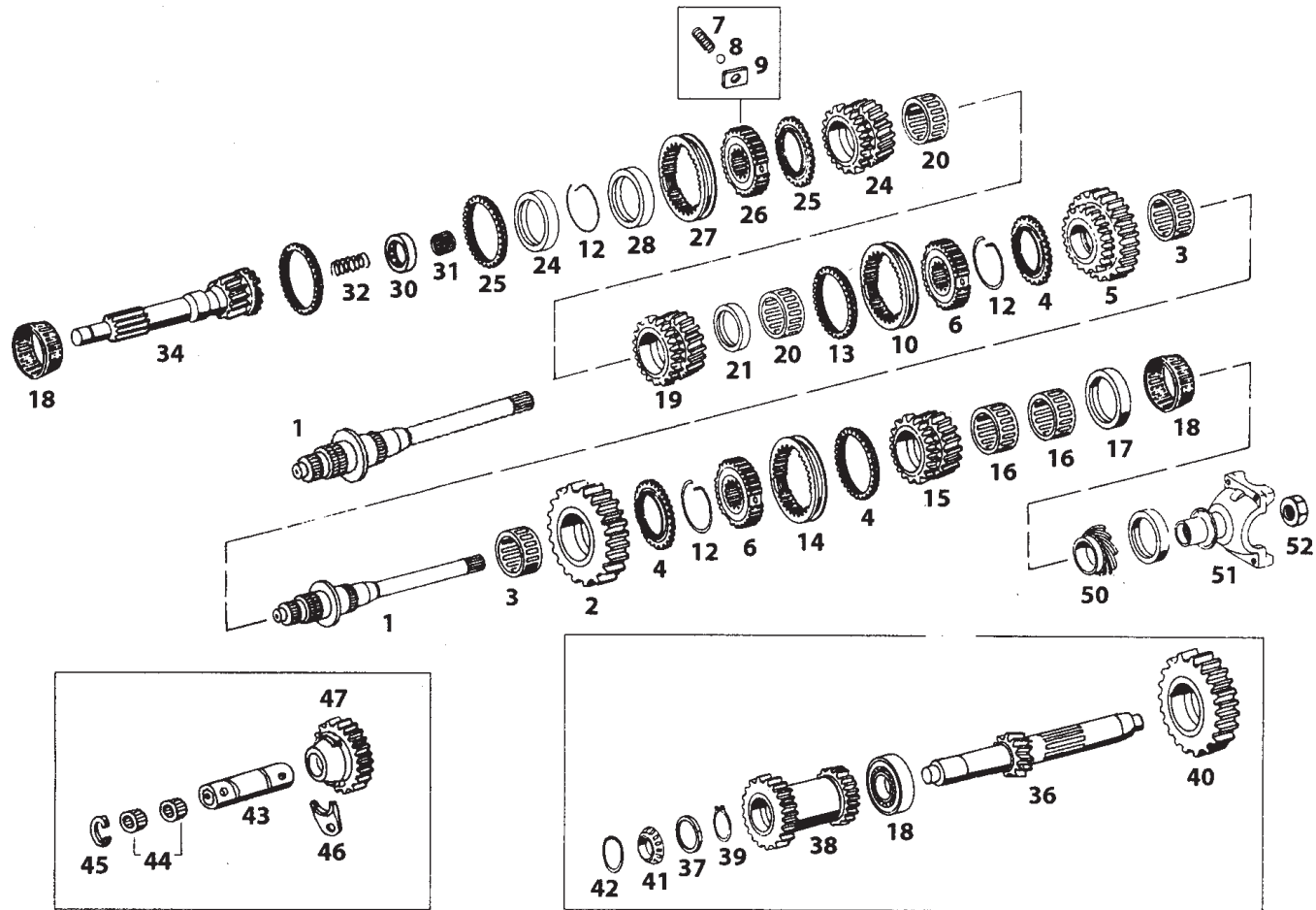


TABLE 26.2

GEAR AND SHAFTS

GROUP 26

FIG. NO.	PART NUMBER	DESCRIPTION	SINGLE CAB							CREW CAB							R/L	REMARKS
			4 x 2				4 x 4			4 x 2				4 x 4				
			AC HD 1	AC HD 2	AC HD 3	HD 4	HD 5	AC HD 6	AC HD 7	AC HD 8	HD 9	AC HD 10	AC HD 11	AC HD 12	AC HD 13	HD 14		
GEARS AND SHAFTS																		
1	2684 2620 79 03	Main Shaft	1	1	1	1					1	1	1	1				
1	2684 2620 79 04	Main Shaft					1	1	1						1	1	1	
2	2684 2620 02 20	Sub Assy. Reverse Speed Gear	1	1	1	1	1	1	1	1	1	1	1	1	1	1	1	
3	2515 2620 31 04	Needle Cage 1st/2nd Speed	1	1	1	1	1	1	1	1	1	1	1	1	1	1	1	
4	2684 2620 38 21	Synchromone (1st/Rev. Gear)	1	1	1	1	1	1	1	1	1	1	1	1	1	1	1	
5	2684 2620 02 17	Assy. Helical Gear (1st Speed, 3.87 Ratio)	1	1	1	1	1	1	1	1	1	1	1	1	1	1	1	
5	2684 2620 02 30	Assy. Helical Gear (1st Speed, 4.1 Ratio)													1			
3	2515 2620 31 04	Needle Cage 1st/2nd Speed	1	1	1	1	1	1	1	1	1	1	1	1	1	1	1	
4	2684 2620 38 21	Synchromone (1st/Rev. Gear)	1	1	1	1					1	1	1	1				
4	2684 2620 01 60	Assy. Double Cone Synchro (1/Rev)					1	1	1						1	1	1	
6	2684 2620 46 11	Engaging Gear (1st/2nd; Rev/OD Speed)	1	1	1	1					1	1	1	1				
6	2684 2620 46 28	Engaging Gear (1st/2nd; Rev/OD Speed)					1	1	1						1	1	1	
7	2684 2620 87 01	Compression Spring	3	3	3	3	3	3	3	3	3	3	3	3	3	3	3	
8	1595 010050 5	Ball 5 Dia Grade-20	3	3	3	3	3	3	3	3	3	3	3	3	3	3	3	
9	2684 2620 99 01	Carrier (1/2 & R/OD & 3/4)	3	3	3	3	3	3	3	3	3	3	3	3	3	3	3	
10	2684 2620 46 29	Shifter Sleeve (1st/2nd Speed)	1	1	1	1	1	1	1	1	1	1	1	1	1	1	1	
13	2684 2620 38 14	Synchromone (2nd/ OD Gear)	1	1	1	1	1	1	1	1	1	1	1	1	1	1	1	
12	2684 2620 43 27	Snap Ring (Rev/OD) 1.7 Thk. NVH	1	1	1	1	1	1	1	1	1	1	1	1	1	1	1	For Selection
12	2684 2620 43 28	Snap Ring (Rev/OD) 1.8 Thk. NVH	1	1	1	1	1	1	1	1	1	1	1	1	1	1	1	For Selection

TABLE 26.2

GEAR AND SHAFTS

GROUP 26

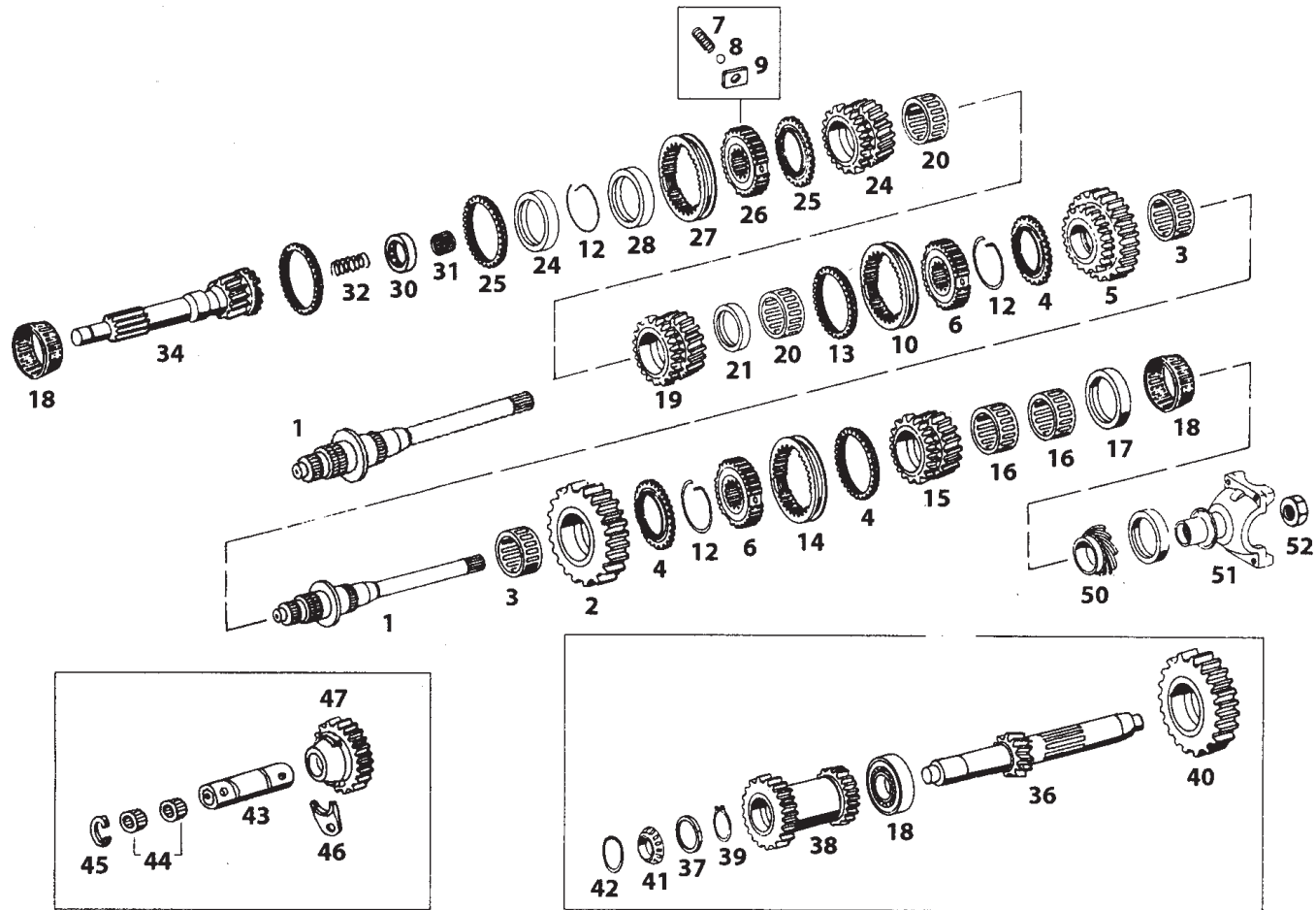


TABLE 26.2

GEAR AND SHAFTS

GROUP 26

FIG. NO.	PART NUMBER	DESCRIPTION	SINGLE CAB							CREW CAB							R/L	REMARKS
			4 x 2				4 x 4			4 x 2				4 x 4				
			AC HD 1	AC HD 2	AC HD 3	HD 4	HD 5	AC HD 6	AC HD 7	AC HD 8	HD 9	AC HD 10	AC HD 11	AC HD 12	AC HD 13	HD 14		
12	2684 2620 43 29	Snap Ring (Rev/OD) 1.85 Thk. NVH	1	1	1	1	1	1	1	1	1	1	1	1	1	1		For Selection
12	2684 2620 43 30	Snap Ring (Rev/OD) 1.9 Thk. NVH	1	1	1	1	1	1	1	1	1	1	1	1	1	1		For Selection
12	2684 2620 43 31	Snap Ring (Rev/OD) 1.95 Thk NVH	1	1	1	1	1	1	1	1	1	1	1	1	1	1		For Selection
12	2684 2620 43 32	Snap Ring (Rev/OD) 2.0 Thk. NVH	1	1	1	1	1	1	1	1	1	1	1	1	1	1		For Selection
12	2684 2620 43 33	Snap Ring (Rev/OD) 2.05 Thk. NVH	1	1	1	1	1	1	1	1	1	1	1	1	1	1		For Selection
12	2684 2620 43 34	Snap Ring (Rev/OD) 2.1 Thk. NVH	1	1	1	1	1	1	1	1	1	1	1	1	1	1		For Selection
12	2684 2620 43 35	Snap Ring (Rev/OD) 2.15 Thk. NVH	1	1	1	1	1	1	1	1	1	1	1	1	1	1		For Selection
12	2684 2620 43 36	Snap Ring (Rev/OD) 2.20 Thk. NVH	1	1	1	1	1	1	1	1	1	1	1	1	1	1		For Selection
13	2684 2620 38 14	Synchromone (2nd/ OD Gear)	1	1	1	1	1	1	1	1	1	1	1	1	1	1		
6	2684 2620 46 11	Engaging Gear (1st/2nd; Rev/OD Speed)	1	1	1	1	1	1	1	1	1	1	1	1	1	1		
7	2684 2620 87 01	Compression Spring	3	3	3	3	3	3	3	3	3	3	3	3	3	3		
8	1595 010050 5	Ball 5 Dia. Grade - 20	3	3	3	3	3	3	3	3	3	3	3	3	3	3		
9	2684 2620 99 01	Carrier (1/2 & R/OD & 3/4)	3	3	3	3	3	3	3	3	3	3	3	3	3	3		
14	2684 2620 46 24	Shifter Sleeve (Rev./OD Speed)	1	1	1	1	1	1	1	1	1	1	1	1	1	1		
12	2684 2620 43 27	Snap Ring (Rev/OD) 1.7 Thk. NVH	1	1	1	1	1	1	1	1	1	1	1	1	1	1		For Selection
12	2684 2620 43 28	Snap Ring (Rev/OD) 1.8 Thk. NVH	1	1	1	1	1	1	1	1	1	1	1	1	1	1		For Selection
12	2684 2620 43 29	Snap Ring (Rev/OD) 1.85 Thk. NVH	1	1	1	1	1	1	1	1	1	1	1	1	1	1		For Selection
12	2684 2620 43 30	Snap Ring (Rev/OD) 1.9 Thk. NVH	1	1	1	1	1	1	1	1	1	1	1	1	1	1		For Selection
12	2684 2620 43 31	Snap Ring (Rev/OD) 1.95 Thk NVH	1	1	1	1	1	1	1	1	1	1	1	1	1	1		For Selection
12	2684 2620 43 32	Snap Ring (Rev/OD) 2.0 Thk. NVH	1	1	1	1	1	1	1	1	1	1	1	1	1	1		For Selection

TABLE 26.2

GEAR AND SHAFTS

GROUP 26

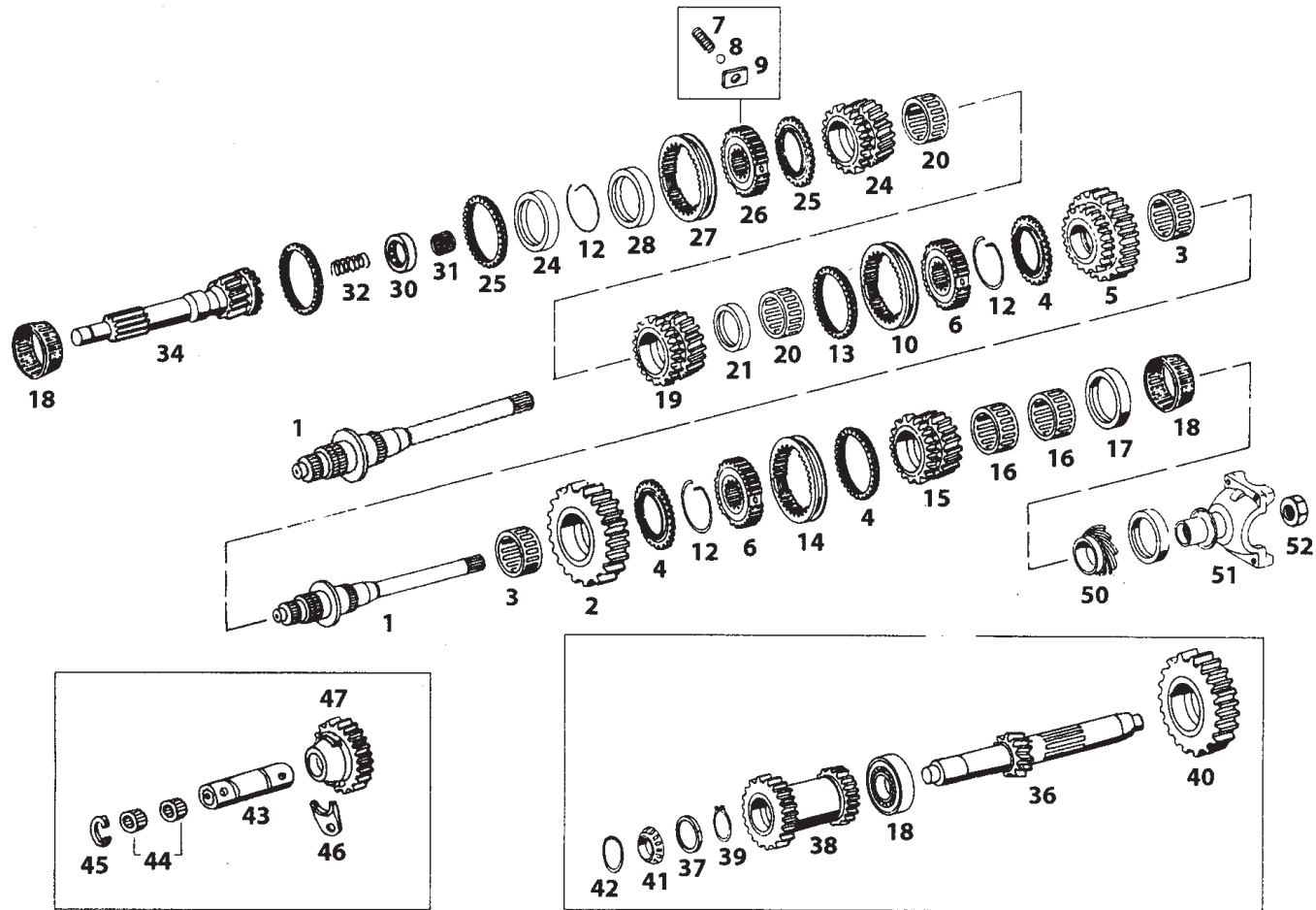


TABLE 26.2
GEAR AND SHAFTS
GROUP 26

FIG. NO.	PART NUMBER	DESCRIPTION	SINGLE CAB							CREW CAB							R/L	REMARKS
			4 x 2				4 x 4			4 x 2				4 x 4				
			AC HD 1	AC HD 2	AC HD 3	HD 4	HD 5	AC HD 6	AC HD 7	AC HD 8	HD 9	AC HD 10	AC HD 11	AC HD 12	AC HD 13	HD 14		
12	2684 2620 43 33	Snap Ring (Rev/OD) 2.05 Thk. NVH	1	1	1	1	1	1	1	1	1	1	1	1	1	1		For Selection
12	2684 2620 43 34	Snap Ring (Rev/OD) 2.1 Thk. NVH	1	1	1	1	1	1	1	1	1	1	1	1	1	1		For Selection
12	2684 2620 43 35	Snap Ring (Rev/OD) 2.15 Thk. NVH	1	1	1	1	1	1	1	1	1	1	1	1	1	1		For Selection
12	2684 2620 43 36	Snap Ring (Rev/OD) 2.20 Thk. NVH	1	1	1	1	1	1	1	1	1	1	1	1	1	1		For Selection
15	2684 2620 01 50	Sub Assy. Helical Gear (Over Drive) 3.87	1	1	1	1	1	1	1	1	1	1	1	1	1	1		
15	2684 2620 02 19	Sub Assy. Helical Gear (Over Drive) 4.1								1							For Turkey Vehicle	
16	2684 2620 31 10	Needle Cage (OD Gear Main Shaft)	1	1	1	1	1	1	1	1	1	1	1	1	1	1		
17	2684 2620 86 04	Spacer (Between OD Gear & TRB)	1	1	1	1	1	1	1	1	1	1	1	1	1	1		
18	2651 3340 31 29	Taper Roller Bearing	1	1	1	1	1	1	1	1	1	1	1	1	1	1		
—	2684 2620 87 02	Belleville Spring - OD Gear	1	1	1	1	1	1	1	1	1	1	1	1	1	1		
19	2684 2620 01 64	Sub - Assy. 2nd Speed Gear	1	1	1	1	1	1	1	1	1	1	1	1	1	1		
20	2684 2620 31 03	Needle Cage (2nd/3rd Speed)	1	1	1	1	1	1	1	1	1	1	1	1	1	1		
21	2684 2620 86 01	Spacer (Between 2nd & 3rd Gear)	1	1	1	1	1	1	1	1	1	1	1	1	1	1		
—	1595 020030 5	Ball 5 Dia. Grade - 20	1	1	1	1	1	1	1	1	1	1	1	1	1	1		
—	2684 2620 34 07	Inner Ring	1	1	1	1	1	1	1	1	1	1	1	1	1	1		
24	2684 2620 02 18	Sub - Assy. 3rd Speed Gear	1	1	1	1	1	1	1	1	1	1	1	1	1	1		
20	2684 2620 31 03	Needle Cage (2nd/3rd Speed)	1	1	1	1	1	1	1	1	1	1	1	1	1	1		
25	2684 2620 38 13	Synchromone (3rd/D/Shaft)	1	1	1	1	1	1	1	1	1	1	1	1	1	1		
26	2684 2620 46 10	Engaging Gear, 3rd/D/Shaft)	1	1	1	1	1	1	1	1	1	1	1	1	1	1		
7	2684 2620 87 01	Compression Spring	3	3	3	3	3	3	3	3	3	3	3	3	3	3		

TABLE 26.2

GEAR AND SHAFTS

GROUP 26

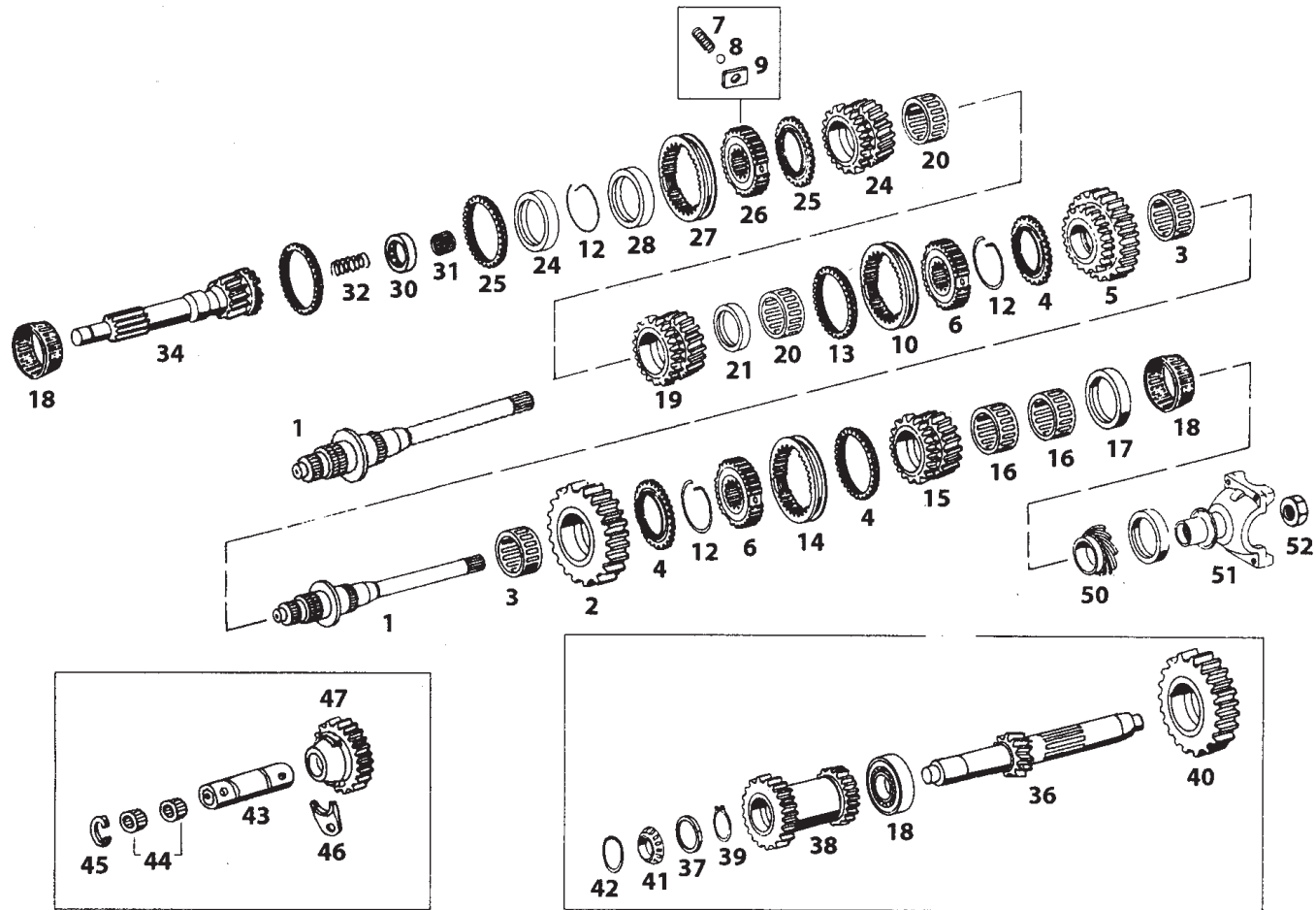


TABLE 26.2

GEAR AND SHAFTS

GROUP 26

FIG. NO.	PART NUMBER	DESCRIPTION	SINGLE CAB							CREW CAB							R/L	REMARKS
			4 x 2				4 x 4			4 x 2				4 x 4				
			AC HD 1	AC HD 2	AC HD 3	HD 4	HD 5	AC HD 6	AC HD 7	AC HD 8	HD 9	AC HD 10	AC HD 11	AC HD 12	AC HD 13	HD 14		
8	1595 010050 5	Ball 5 Dia. Grade 20	3	3	3	3	3	3	3	3	3	3	3	3	3			
9	2684 2620 99 01	Carrier (1/2 & R/OD & 3/4)	3	3	3	3	3	3	3	3	3	3	3	3	3			
27	2684 2620 46 23	Shifter Sleeve (3rd/4th Speed)	1	1	1	1	1	1	1	1	1	1	1	1	1			
28	2684 2620 86 02	Spacer, Engaging Gear (3rd Speed)	1	1	1	1	1	1	1	1	1	1	1	1	1			
12	2684 2620 43 08	Snap Ring (2.0 - 0.04 Thk)	1	1	1	1	1	1	1	1	1	1	1	1	1		For Selection	
12	2684 2620 43 09	Snap Ring (2.1 - 0.04 Thk)	1	1	1	1	1	1	1	1	1	1	1	1	1		For Selection	
12	2684 2620 43 10	Snap Ring (2.2 - 0.04 Thk)	1	1	1	1	1	1	1	1	1	1	1	1	1		For Selection	
12	2684 2620 43 11	Snap Ring (2.3 -0.04 Thk)	1	1	1	1	1	1	1	1	1	1	1	1	1		For Selection	
12	2684 2620 43 12	Snap Ring (2.4 - 0.04 Thk)	1	1	1	1	1	1	1	1	1	1	1	1	1		For Selection	
12	2684 2620 43 15	Snap Ring (2.5 - 0.04 Thk)	1	1	1	1	1	1	1	1	1	1	1	1	1		For Selection	
24	2682 2625 86 01	Spacer (Thrust Brg) 4	1	1	1	1	1	1	1	1	1	1	1	1	1		For Selection	
24	2682 2625 86 02	Spacer (Thrust Brg) 4.1	1	1	1	1	1	1	1	1	1	1	1	1	1		For Selection	
24	2682 2625 86 03	Spacer (Thrust Brg) 4.2	1	1	1	1	1	1	1	1	1	1	1	1	1		For Selection	
24	2682 2625 86 04	Spacer (Thrust Brg) 4.3	1	1	1	1	1	1	1	1	1	1	1	1	1		For Selection	
24	2682 2625 86 05	Spacer (Thrust Brg) 4.4	1	1	1	1	1	1	1	1	1	1	1	1	1		For Selection	
24	2682 2625 86 06	Spacer (Thrust Brg) 4.5	1	1	1	1	1	1	1	1	1	1	1	1	1		For Selection	
24	2682 2625 86 07	Spacer (Thrust Brg) 4.6	1	1	1	1	1	1	1	1	1	1	1	1	1		For Selection	
24	2682 2625 86 08	Spacer (Thrust Brg) 4.7	1	1	1	1	1	1	1	1	1	1	1	1	1		For Selection	
24	2682 2625 86 09	Spacer (Thrust Brg) 4.8	1	1	1	1	1	1	1	1	1	1	1	1	1		For Selection	
24	2682 2625 86 10	Spacer (Thrust Brg) 4.9	1	1	1	1	1	1	1	1	1	1	1	1	1		For Selection	

TABLE 26.2

GEAR AND SHAFTS

GROUP 26

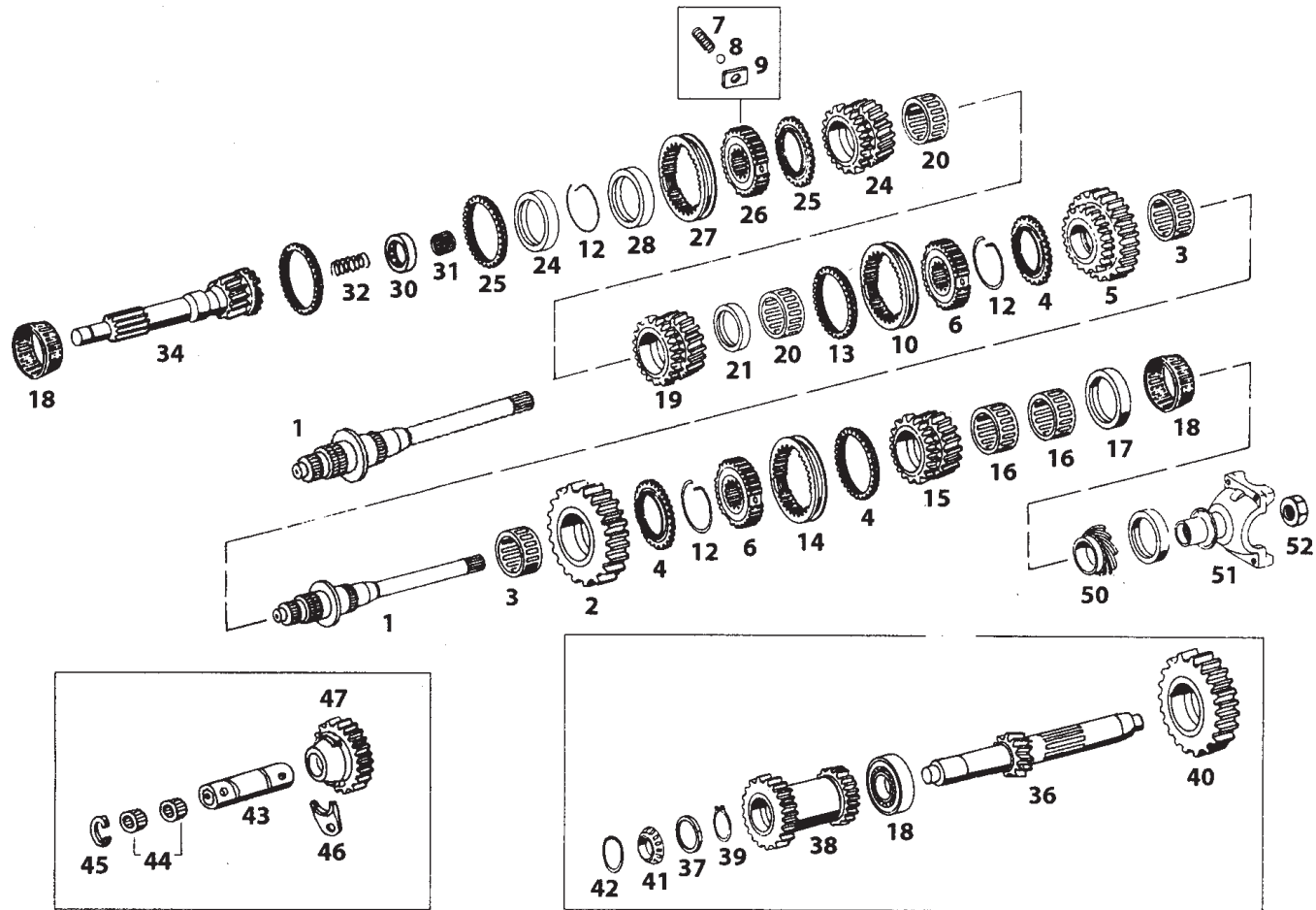


TABLE 26.2

GEAR AND SHAFTS

GROUP 26

FIG. NO.	PART NUMBER	DESCRIPTION	SINGLE CAB							CREW CAB							R/L	REMARKS
			4 x 2				4 x 4			4 x 2				4 x 4				
			AC HD 1	AC HD 2	AC HD 3	HD 4	HD 5	AC HD 6	AC HD 7	AC HD 8	HD 9	AC HD 10	AC HD 11	AC HD 12	AC HD 13	HD 14		
24	2682 2625 86 11	Spacer (Thrust Brg) 5	1	1	1	1	1	1	1	1	1	1	1	1	1	1		For Selecton
24	2682 2625 86 12	Spacer (Thrust Brg) 5.1	1	1	1	1	1	1	1	1	1	1	1	1	1	1		For Selection
30	2684 2625 31 07	Thrust Needle Cage	1	1	1	1	1	1	1	1	1	1	1	1	1	1		
31	2684 2625 31 04	Needle Cage	1	1	1	1	1	1	1	1	1	1	1	1	1	1		
32	2684 2625 87 01	Compression Spring (Drive Shaft)	1	1	1	1	1	1	1	1	1	1	1	1	1	1		
25	2684 2620 38 13	Synchromone (3rd/D/Shaft)	1	1	1	1	1	1	1	1	1	1	1	1	1	1		
34	2684 2625 01 17	Sub Assy. Drive Shaft (Spacio)	1	1	1	1	1	1	1	1	1	1	1	1	1	1		
18	2651 3340 31 29	Taper Roller Bearing (30x72x20.75)	1	1	1	1	1	1	1	1	1	1	1	1	1	1		
36	2684 2630 79 01	Counter Shaft	1	1	1	1	1	1	1	1	1	1	1	1	1	1		
37	2519 2630 86 01	Spacer (Countershaft)	1	1	1	1	1	1	1	1	1	1	1	1	1	1		
--	2684 2630 54 19	Constant Mesh Gear	1	1	1	1	1	1	1	1	1	1	1	1	1	1		
38	2684 2630 54 20	Third Gear, Counter Shaft	1	1	1	1	1	1	1	1	1	1	1	1	1	1		
39	1455 060380 3	Ext. Circlip 38x1.75 N	1	1	1	1	1	1	1	1	1	1	1	1	1	1		
40	2684 2630 54 16	O.D. Gear (Counter Shaft)	1	1	1	1	1	1	1	1	1	1	1	1	1	1		
41	2519 2630 31 04	Taper Roller Bearing	2	2	2	2	2	2	2	2	2	2	2	2	2	2		
42	2519 2630 83 02	Shim (Counter Shaft)	AR	AR	AR	AR	AR	AR	AR	AR	AR	AR	AR	AR	AR	AR		For Selection
42	2519 2630 83 03	Shim (Counter Shaft)	AR	AR	AR	AR	AR	AR	AR	AR	AR	AR	AR	AR	AR	AR		For Selection
42	2519 2630 83 04	Shim (Counter Shaft)	AR	AR	AR	AR	AR	AR	AR	AR	AR	AR	AR	AR	AR	AR		For Selection
42	2519 2630 83 05	Shim (Counter Shaft)	AR	AR	AR	AR	AR	AR	AR	AR	AR	AR	AR	AR	AR	AR		For Selection
42	2519 2630 83 06	Shim (Counter Shaft)	AR	AR	AR	AR	AR	AR	AR	AR	AR	AR	AR	AR	AR	AR		For Selection

TABLE 26.2

GEAR AND SHAFTS

GROUP 26

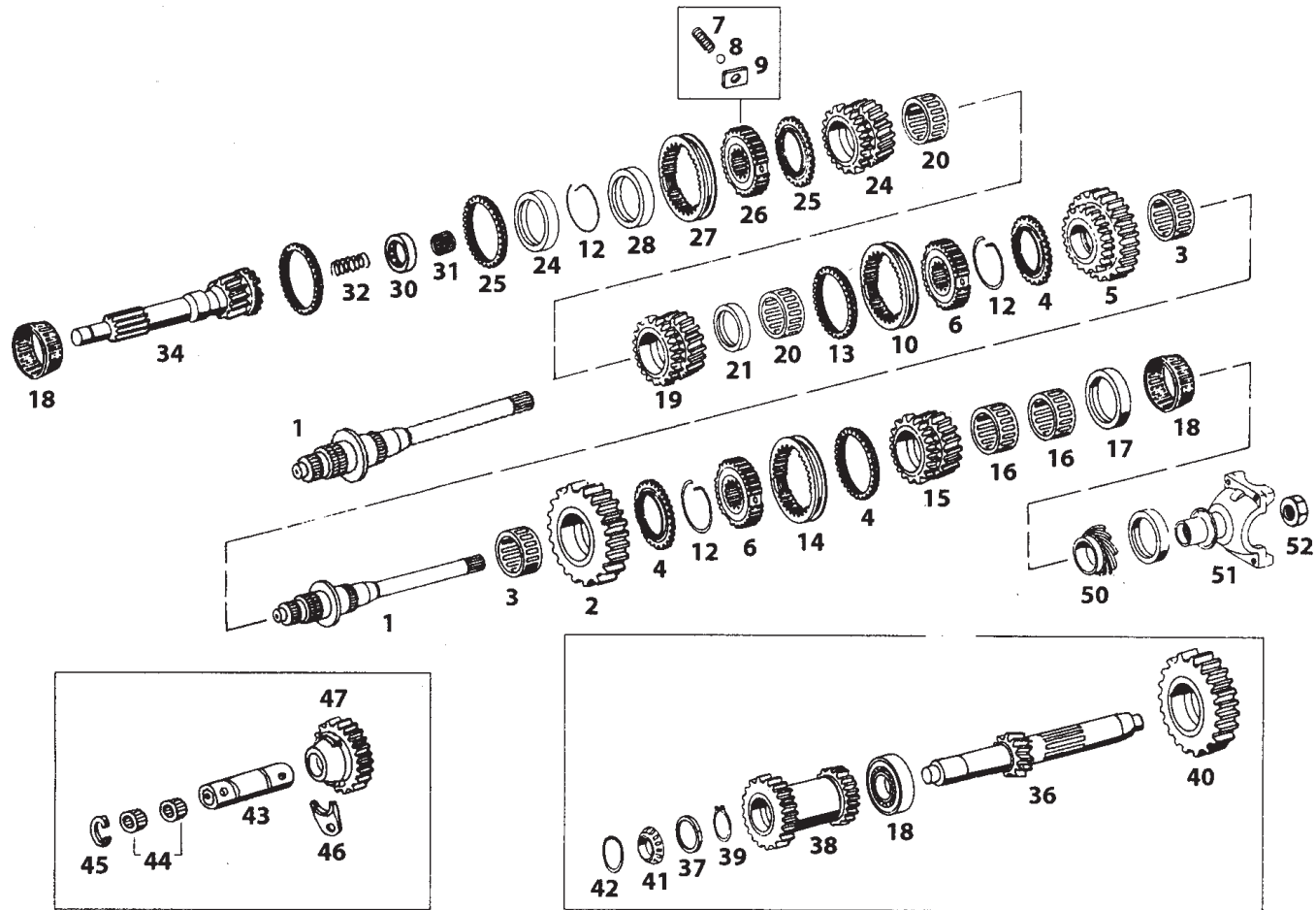


TABLE 26.2

GEAR AND SHAFTS

GROUP 26

FIG. NO.	PART NUMBER	DESCRIPTION	SINGLE CAB							CREW CAB							R/L	REMARKS
			4 x 2				4 x 4			4 x 2				4 x 4				
			AC HD 1	AC HD 2	AC HD 3	HD 4	HD 5	AC HD 6	AC HD 7	AC HD 8	HD 9	AC HD 10	AC HD 11	AC HD 12	AC HD 13	HD 14		
43	2684 2635 79 01	Reverse Idler Shaft	1	1	1	1	1	1	1	1	1	1	1	1	1			
44	2574 2830 31 03	Roller Cage	2	2	2	2	2	2	2	2	2	2	2	2	2			
45	2684 2635 43 01	Snap Ring Reverse Idler Gear	2	2	2	2	2	2	2	2	2	2	2	2	2			
46	2684 2635 82 02	Retainer Plate	1	1	1	1	1	1	1	1	1	1	1	1	1			
47	2684 2635 54 01	Reverse Idler Gear	1	1	1	1	1	1	1	1	1	1	1	1	1			
50	2684 2620 01 13	Assy. Gear (Speedometre Drive)	1	1	1	1			1	1	1	1						
51	2684 2620 01 20	Assy. End Yoke	1	1	1	1			1	1	1	1						
52	2663 3535 65 01	Nut (Pinion)	1	1	1	1			1	1	1	1						

TABLE 26.3

GEAR SHIFTING ARRANGEMENT (G-76)

GROUP 26

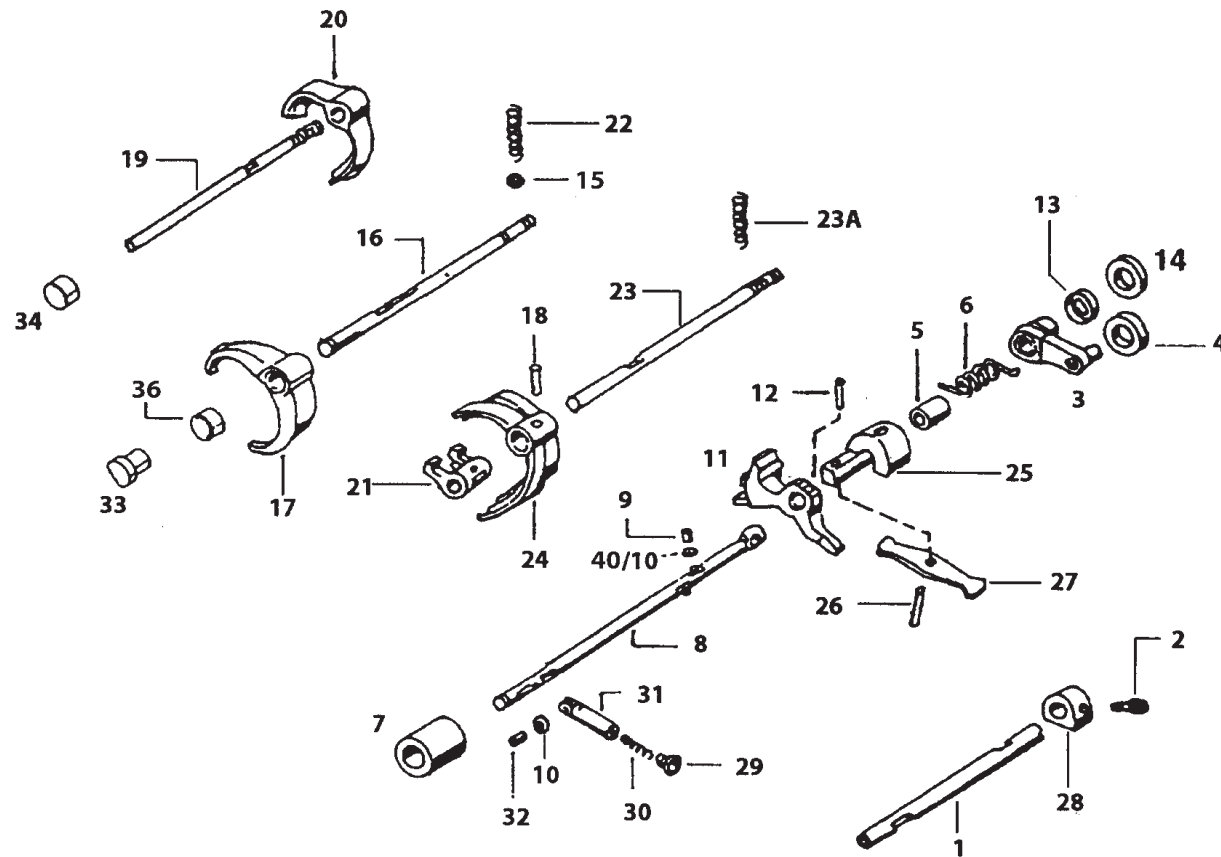


TABLE 26.3

GEAR SHIFTING ARRANGEMENT (G-76)

GROUP 26

FIG. NO.	PART NUMBER	DESCRIPTION	SINGLE CAB						CREW CAB						R/L	REMARKS		
			4 x 2				4 x 4		4 x 2				4 x 4					
			AC HD 1	AC HD 2	AC HD 3	HD 4	HD 5	AC HD 6	AC HD 7	AC HD 8	HD 9	AC HD 10	AC HD 11	AC HD 12			AC HD 13	HD 14
		GEAR SHIFTING ARRANGEMENT (G - 76)																
1	2684 2670 79 03	Shifter Shaft (Rev./OD)	1	1	1	1					1	1	1	1				
1	2684 2670 79 17	Shifter Shaft (Rev./OD)						1	1	1					1	1	1	
2	2684 2610 65 02	Hexagon Fit Bolt	1	1	1	1	1	1	1	1	1	1	1	1	1	1	1	
3	2684 2651 01 01	Assy. Selector Lever	1	1	1	1	1	1	1	1	1	1	1	1	1	1	1	
4	2684 2651 34 01	Roller, Selector Lever	1	1	1	1	1	1	1	1	1	1	1	1	1	1	1	
5	2684 2651 86 02	Tubular Spacer	1	1	1	1	1	1	1	1	1	1	1	1	1	1	1	
6	2684 2651 87 14	Torsion Spring	1	1	1	1	1	1	1	1	1	1	1	1	1	1	1	
7	2684 2610 31 01	Linear Bearing	1	1	1	1	1	1	1	1	1	1	1	1	1	1	1	
8	2684 2670 79 20	Selector Shifter Shaft	1	1	1	1					1	1	1	1				
8	2684 2670 79 21	Selector Shifter Shaft (4x4)						1	1	1					1	1	1	
9	2684 2670 67 01	Pin, Selector & Shifter Shaft	2	2	2	2	2	2	2	2	2	2	2	2	2	2	2	
10	2684 2651 34 08	Roller (Selector & Shifting Shaft)	4	4	4	4	4	4	4	4	4	4	4	4	4	4	4	
11	2684 2651 51 06	Selector and Shifter Finger	2	2	2	2	2	2	2	2	2	2	2	2	2	2	2	
12	2684 2651 67 04	Spiral Pin (6x28)	1	1	1	1	1	1	1	1	1	1	1	1	1	1	1	
13	2684 2670 86 01	Spacer (Oil Seal, Sel. & Shifter Shaft)	1	1	1	1	1	1	1	1	1	1	1	1	1	1	1	
14	2684 2670 78 07	Double Lip Oil Seal	1	1	1	1	1	1	1	1	1	1	1	1	1	1	1	
15	1595 010080 7	Ball 5 Dia. Grade 20	1	1	1	1	1	1	1	1	1	1	1	1	1	1	1	
16	2684 2670 79 10	Shifter Shaft (3/4 Speed)	1	1	1	1					1	1	1	1				
16	2684 2670 79 16	Shifter Shaft (3/4 Speed)						1	1	1					1	1	1	

TABLE 26.3

GEAR SHIFTING ARRANGEMENT (G-76)

GROUP 26

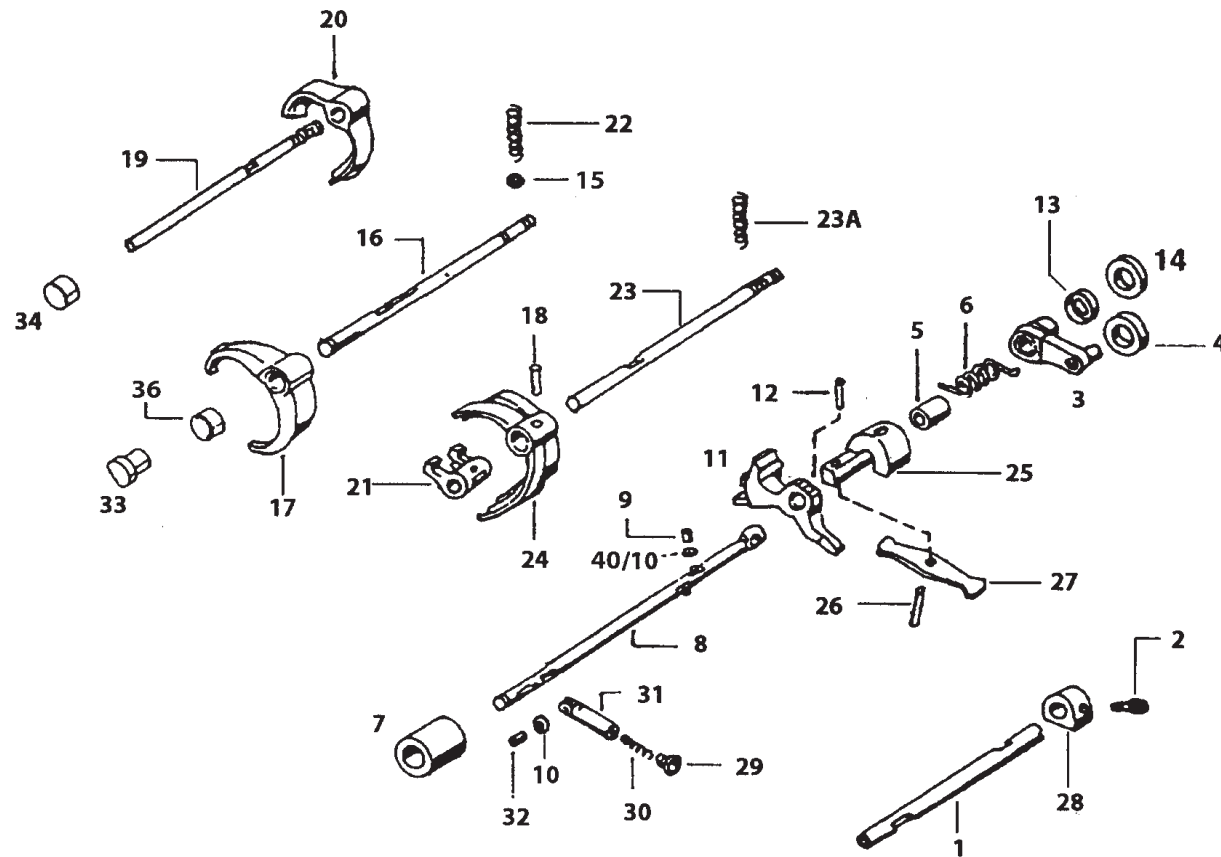


TABLE 26.3

GEAR SHIFTING ARRANGEMENT (G-76)

GROUP 26

FIG. NO.	PART NUMBER	DESCRIPTION	SINGLE CAB						CREW CAB						R/L	REMARKS		
			4 x 2				4 x 4		4 x 2				4 x 4					
			AC HD 1	AC HD 2	AC HD 3	HD 4	HD 5	AC HD 6	AC HD 7	AC HD 8	HD 9	AC HD 10	AC HD 11	AC HD 12			AC HD 13	HD 14
17	2684 2651 38 02	Shifter Fork, 3rd/4th	1	1	1	1				1	1	1	1					
18	2684 2651 67 04	Spiral Pin (6x28)	1	1	1	1	1	1	1	1	1	1	1	1	1	1		
40	2684 2651 30 02	Roller (Inter Lock Device)	1	1	1	1	1	1	1	1	1	1	1	1	1	1		
19	2684 2670 79 01	Shifter Shaft, 1st/2nd	1	1	1	1	1	1	1	1	1	1	1	1	1	1		
20	2684 2651 38 01	Shifter Fork,1st/2nd	1	1	1	1	1	1	1	1	1	1	1	1	1	1		
21	2684 2651 37 02	Shifter Dog (1st/2nd)	1	1	1	1	1	1	1	1	1	1	1	1	1	1		
22	2684 2651 87 02	Detent Spring (1/2 & 3/4 Shifter Shaft)	1	1	1	1	1	1	1	1	1	1	1	1	1	1		
23	2684 2670 79 03	Shifter Shaft, Rev/O.D.	1	1	1	1	1	1	1	1	1	1	1	1	1	1		
24	2684 2651 38 03	Shifter Fork, Rev./OD	1	1	1	1	1	1	1	1	1	1	1	1	1	1		
18	2684 2651 67 04	Spiral Pin (6x24)	1	1	1	1	1	1	1	1	1	1	1	1	1	1		
25	2684 2651 99 06	Bearing Block (Swing Lever)	1	1	1	1	1	1	1	1	1	1	1	1	1	1		
26	2684 2651 67 03	Pin, Swing Lever	1	1	1	1	1	1	1	1	1	1	1	1	1	1		
—	2684 2651 01 14	Assy. Inhibiter	1	1	1	1	1	1	1	1	1	1	1	1	1	1		
27	2684 2651 82 03	Swing Lever	1	1	1	1	1	1	1	1	1	1	1	1	1	1		
28	2684 2651 99 01	Locating Piece (Rev. Shifter Shaft)	1	1	1	1	1	1	1	1	1	1	1	1	1	1		
29	2684 2651 67 02	Plug	1	1	1	1	1	1	1	1	1	1	1	1	1	1		
30	2684 2651 87 17	Detent Spring, Shifter Shaft, Central	1	1	1	1	1	1	1	1	1	1	1	1	1	1		
31	2684 2651 34 14	Detent	1	1	1	1	1	1	1	1	1	1	1	1	1	1		
33	2519 2620 67 01	Plug (Speedo Shaft)	1	1	1	1	1	1	1	1	1	1	1	1	1	1		
—	2684 2651 34 08	Roller (Selector & Shifting Shaft)	1	1	1	1	1	1	1	1	1	1	1	1	1	1		

TABLE 26.3

GEAR SHIFTING ARRANGEMENT (G-76)

GROUP 26

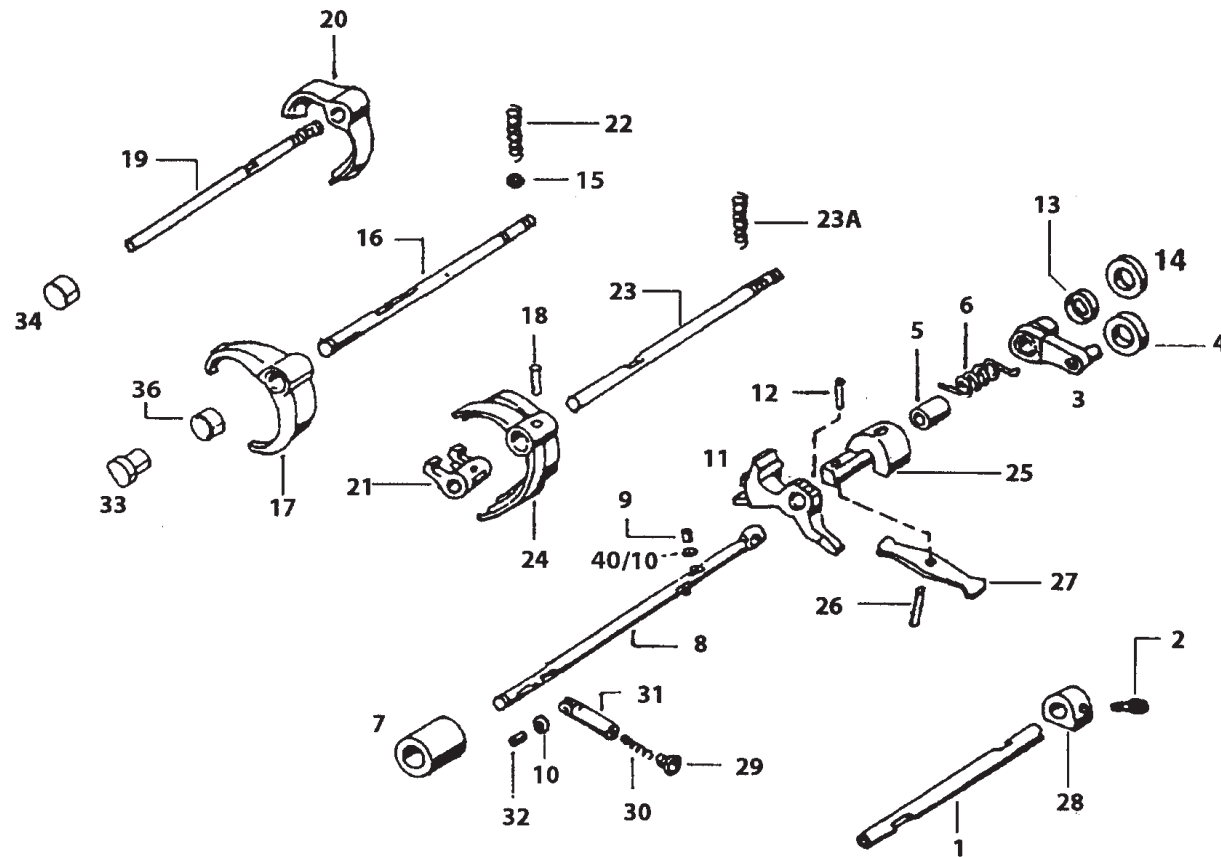


TABLE 26.3

GEAR SHIFTING ARRANGEMENT (G-76)

GROUP 26

FIG. NO.	PART NUMBER	DESCRIPTION	SINGLE CAB						CREW CAB						R/L	REMARKS	
			4 x 2				4 x 4		4 x 2				4 x 4				
			AC HD 1	AC HD 2	AC HD 3	HD 4	HD 5	AC HD 6	AC HD 7	AC HD 8	HD 9	AC HD 10	AC HD 11	AC HD 12			AC HD 13
—	2684 2651 65 01	Threaded Plug (Central Detent)	1	1	1	1	1	1	1	1	1	1	1	1	1		
—	2684 2610 82 01	Sealing Cup	1	1	1	1	1	1	1	1	1	1	1	1	1		
36	2549 1410 82 04	Core Plug (25 Dia.)	1	1	1	1	1	1	1	1	1	1	1	1	1		
34	2684 2610 82 04	Cap (Shifter Shaft)	6	6	6	6	6	6	6	6	6	6	6	6	6		
32	2684 2651 30 03	Roller Central Detent	1	1	1	1	1	1	1	1	1	1	1	1	1		

TABLE 26.4

ADAPTOR HOUSING

GROUP 26

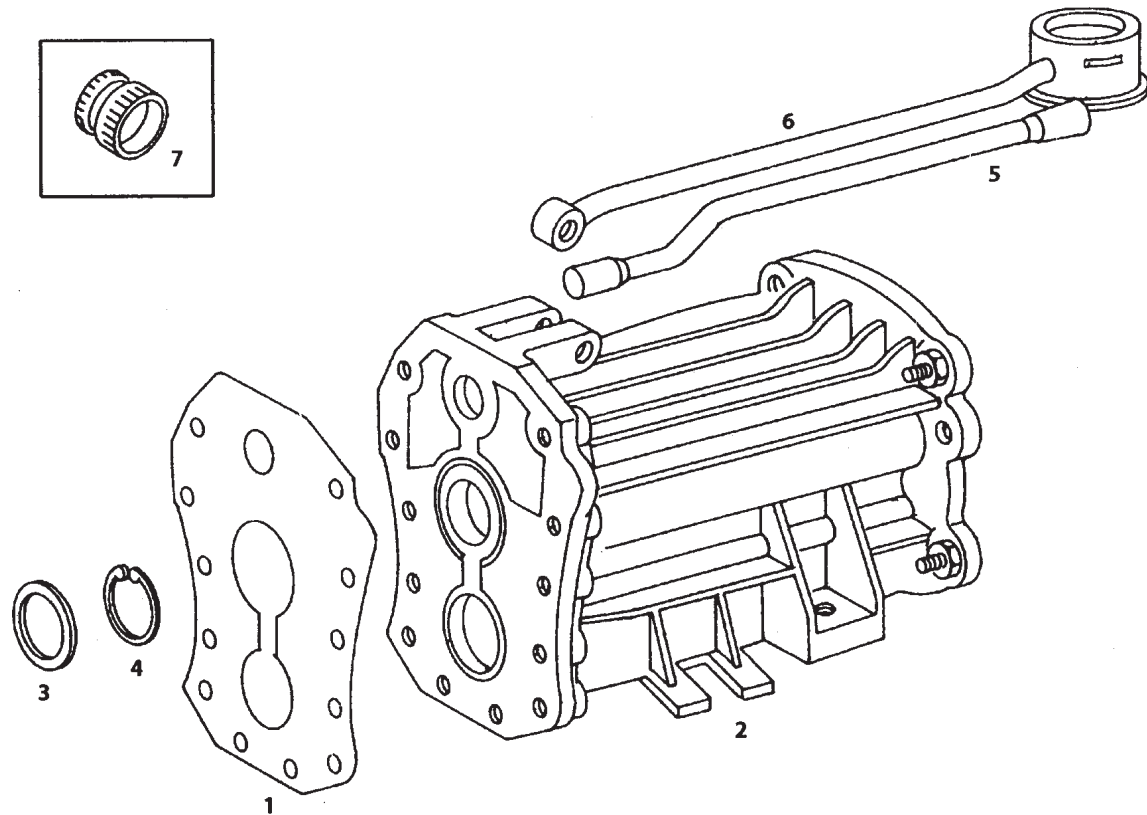


TABLE 26.4

ADAPTOR HOUSING

GROUP 26

FIG. NO.	PART NUMBER	DESCRIPTION	SINGLE CAB						CREW CAB						R/L	REMARKS			
			4 x 2			4 x 4			4 x 2			4 x 4							
			AC HD 1	AC HD 2	AC HD 3	HD 4	HD 5	AC HD 6	AC HD 7	AC HD 8	HD 9	AC HD 10	AC HD 11	AC HD 12			AC HD 13	HD 14	
		ADAPTOR HOUSING																	
1	2684 2620 53 02	Gasket, (Between Rear Cover And Adaptor Housing)						1	1	1							1	1	1
2	2684 2620 38 16	Adaptor Housing 4x4						1	1	1							1	1	1
3	2684 2620 86 05	Spacer (Oil Seal)						1	1	1							1	1	1
4	1455 060300 5	Ext. Circlip 30X1.5N						1	1	1							1	1	1
5	2684 2670 01 73	Assy Shift Link 4x4						1	1	1							1	1	1
6	2684 2671 38 07	Extention Arm 4x4						1	1	1							1	1	1
7	2684 2671 63 02	Coller Bush (Extention Arm)						1	1	1							1	1	1

TABLE 28.1

TRANSFER CASE

GROUP 28

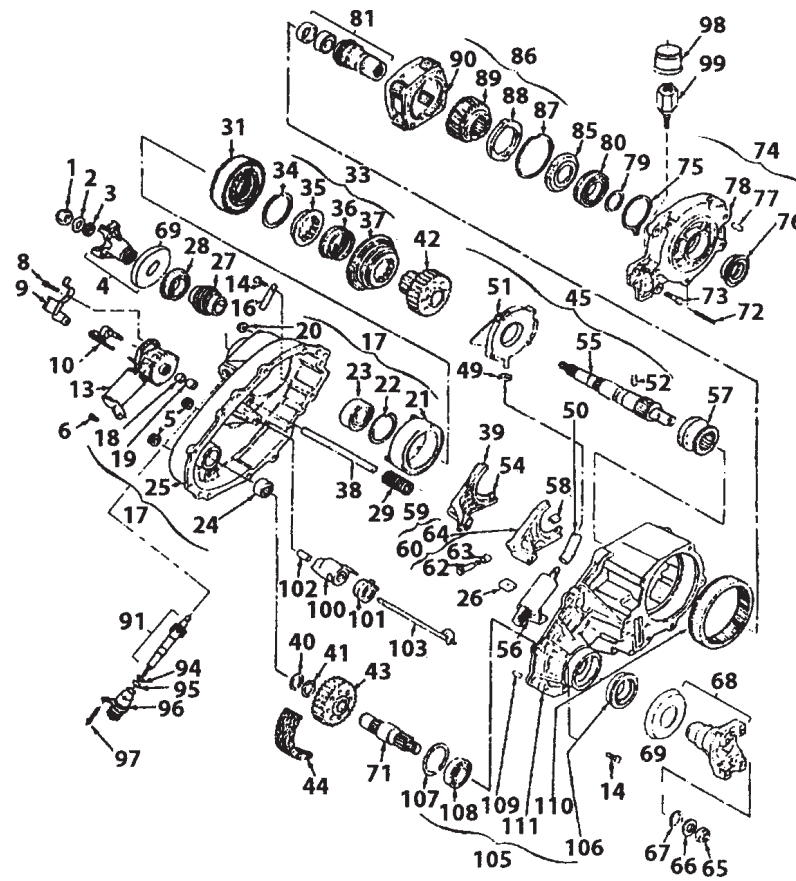
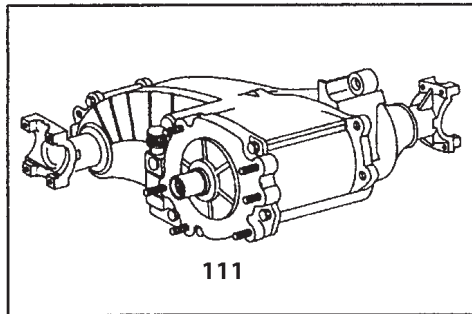


TABLE 28.1

TRANSFER CASE

GROUP 28

FIG. NO.	PART NUMBER	DESCRIPTION	SINGLE CAB							CREW CAB							R/L	REMARKS	
			4 x 2				4 x 4			4 x 2				4 x 4					
			AC HD 1	AC HD 2	AC HD 3	HD 4	HD 5	AC HD 6	AC HD 7	AC HD 8	HD 9	AC HD 10	AC HD 11	AC HD 12	AC HD 13	HD 14			
		TRANSFER CASE																	
111	2687 2800 02 29	Divgi Warner Transfer Case (Elect. Shift)					1	1	1					1	1	1			
1	2687 2835 65 01	Nut					1	1	1					1	1	1			
2	2687 2835 92 01	Washer					1	1	1					1	1	1			
3	2687 2835 78 01	Seal , Oil					1	1	1					1	1	1			
4	2687 2835 01 02	Yoke Assy Single Carden					1	1	1					1	1	1			
5	2687 2870 72 01	Plug, Pipe					2	2	2					2	2	2			
6	2687 2870 32 01	Bolt, Hex. Head					1	1	1					1	1	1			
8	2687 2870 32 02	Bolt, Hex. Head					3	3	3					3	3	3			
9	2687 2870 33 01	Bracket, Sensor and Harness					1	1	1					1	1	1			
10	2687 2870 01 01	Sensor Assy					1	1	1					1	1	1			
13	2687 2870 01 02	Motor Assy					1	1	1					1	1	1			
--	2687 2800 82 04	Protective Cover					1	1	1					1	1	1			
14	2687 2815 32 01	Bolt, Hex. Head					9	9	9					9	9	9			
17	2687 2815 01 01	Assy Cover					1	1	1					1	1	1			
18	2687 2815 78 01	Seal, Oil					1	1	1					1	1	1			
19	2687 2815 34 01	Bearing Sleeve					1	1	1					1	1	1			
20	2687 2815 65 01	Nut, Hex.					3	3	3					3	3	3			
21	2687 2815 01 02	Coil Assy, Clutch					1	1	1					1	1	1			
23	2687 2815 31 01	Bearing Annular					1	1	1					1	1	1			

TABLE 28.1

TRANSFER CASE

GROUP 28

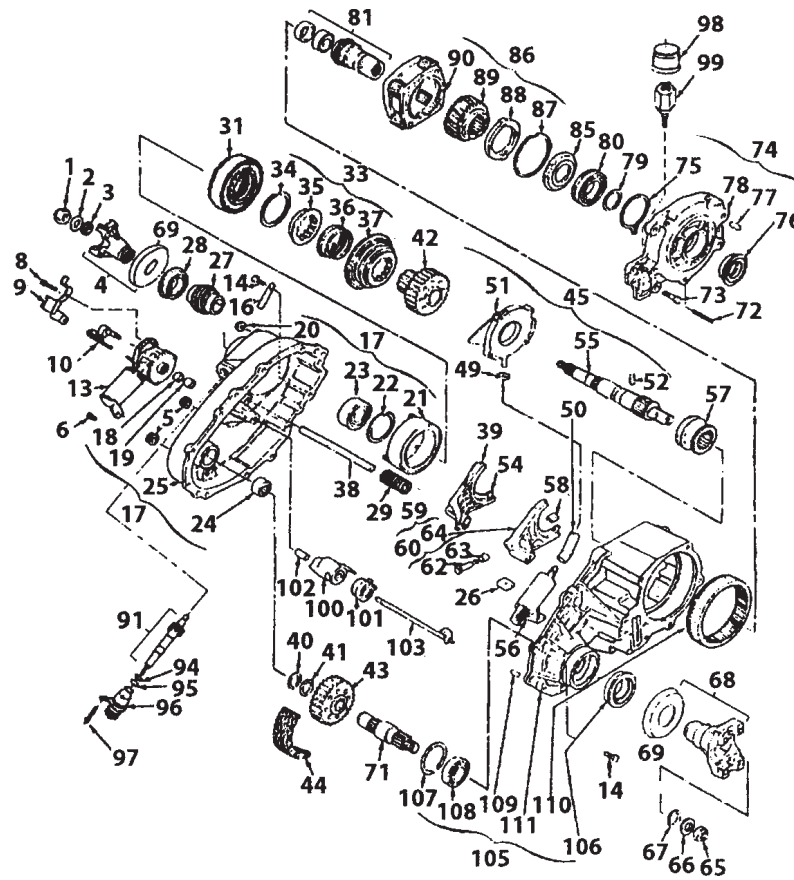
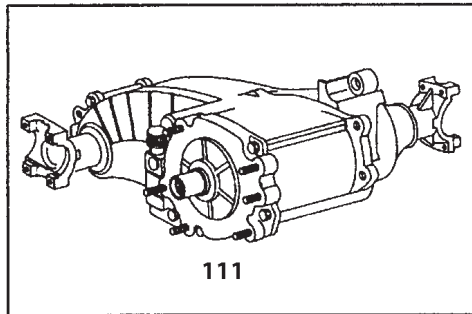


TABLE 28.1

TRANSFER CASE

GROUP 28

FIG. NO.	PART NUMBER	DESCRIPTION	SINGLE CAB							CREW CAB							R/L	REMARKS
			4 x 2				4 x 4			4 x 2				4 x 4				
			AC HD 1	AC HD 2	AC HD 3	HD 4	HD 5	AC HD 6	AC HD 7	AC HD 8	HD 9	AC HD 10	AC HD 11	AC HD 12	AC HD 13	HD 14		
24	2687 2815 31 02	Bearing Needle					1	1	1					1	1	1		
25	2687 2815 38 01	Cover, Transfer Case					1	1	1					1	1	1		
26	2687 2815 99 01	Magnet					1	1	1					1	1	1		
27	2687 2820 54 01	Gear Speedo 8T					1	1	1					1	1	1		
28	2687 2820 78 01	Seal, Oil					1	1	1					1	1	1		
29	2687 2840 87 01	Spring Return					1	1	1					1	1	1		
31	2687 2825 37 01	Housing Clutch					1	1	1					1	1	1		
33	2687 2825 01 01	Lockup Assy, 2W - 4W					1	1	1					1	1	1		
34	2687 2825 43 01	Ring Snap					1	1	1					1	1	1		
35	2687 2825 55 01	Hub Lockup					1	1	1					1	1	1		
36	2687 2825 87 01	Spring, Sleeve Return					1	1	1					1	1	1		
37	2687 2825 51 01	Collar, Lockup					1	1	1					1	1	1		
38	2687 2840 79 01	Shaft, Rail					1	1	1					1	1	1		
39	2687 2840 46 01	Fork, Lockup					1	1	1					1	1	1		
40	2687 2825 43 02	Ring Snap					1	1	1					1	1	1		
41	2687 2825 86 01	Spacer					1	1	1					1	1	1		
42	2687 2825 89 01	Sprocket, Drive					1	1	1					1	1	1		
43	2687 2825 89 02	Sprocket, Driven					1	1	1					1	1	1		
44	2687 2825 46 01	Chain, Drive					1	1	1					1	1	1		
45	2687 2825 01 02	Shaft and Pump Assy					1	1	1					1	1	1		

TABLE 28.1

TRANSFER CASE

GROUP 28

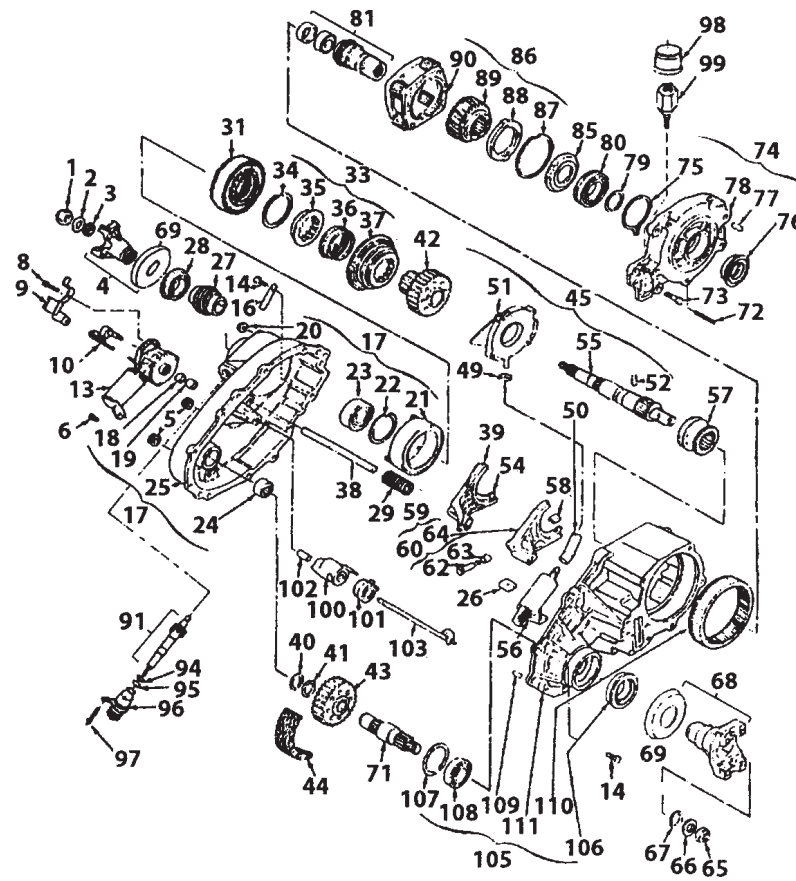
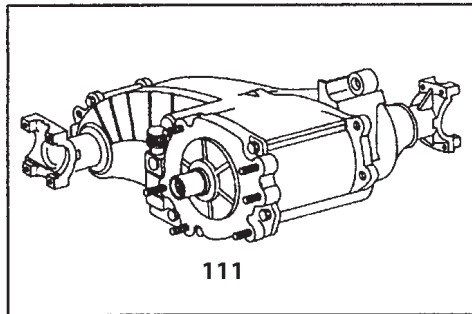


TABLE 28.1
TRANSFER CASE
GROUP 28

FIG. NO.	PART NUMBER	DESCRIPTION	SINGLE CAB							CREW CAB							R/L	REMARKS
			4 x 2				4 x 4			4 x 2				4 x 4				
			AC HD 1	AC HD 2	AC HD 3	HD 4	HD 5	AC HD 6	AC HD 7	AC HD 8	HD 9	AC HD 10	AC HD 11	AC HD 12	AC HD 13	HD 14		
49	2687 2825 42 01	Clamp, Hose					1	1	1					1	1	1		
50	2687 2825 46 02	Coupling, Hose					1	1	1					1	1	1		
51	2687 2825 99 01	Gerotor Pump					1	1	1					1	1	1		
54	2687 2840 34 01	Facing Lock up fork					1	1	1					1	1	1		
55	'268728257901	Shaft Output					1	1	1					1	1	1		
56	2687 2825 82 01	Stainer, Oil					1	1	1					1	1	1		
57	2687 2825 55 02	Hub, Reduction					1	1	1					1	1	1		
58	2687 2840 34 02	Facing, Reduction Fork					2	2	2					2	2	2		
59	2687 2840 01 01	Fork Assy , Reduction Shift					1	1	1					1	1	1		
65	2687 2835 65 01	Nut					1	1	1					1	1	1		
66	2687 2835 92 01	Washer					1	1	1					1	1	1		
67	2687 2835 78 01	Seal , Oil					1	1	1					1	1	1		
68	2687 2835 01 01	Yoke Assy Double Carden					1	1	1					1	1	1		
69	2687 2835 82 01	Deflector, Dust					1	1	1					1	1	1		
71	2687 2825 79 02	Shaft, Front Output					1	1	1					1	1	1		
72	2687 2820 88 01	Stud					5	5	5					5	5	5		
73	2687 2815 32 01	Bolt, Hex. Head					6	6	6					6	6	6		
74	2687 2820 01 01	Adaptor Assy , Front					1	1	1					1	1	1		
75	2687 2820 43 01	Ring, Snap					1	1	1					1	1	1		
76	2687 2820 78 01	Seal, Oil					1	1	1					1	1	1		

TABLE 28.1

TRANSFER CASE

GROUP 28

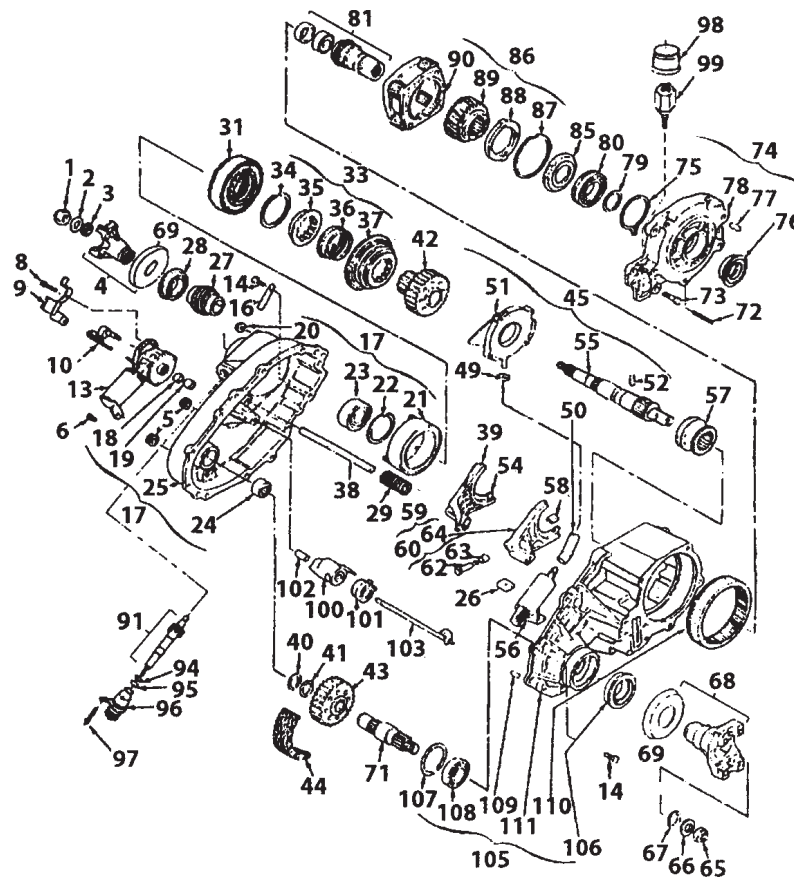
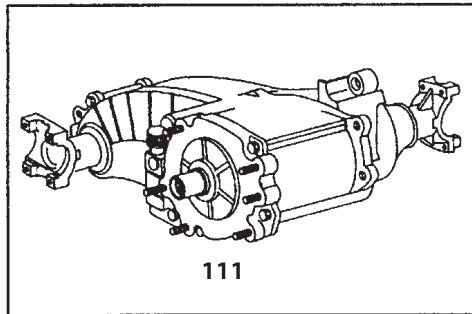


TABLE 28.1
TRANSFER CASE
GROUP 28

FIG. NO.	PART NUMBER	DESCRIPTION	SINGLE CAB							CREW CAB							R/L	REMARKS
			4 x 2				4 x 4			4 x 2				4 x 4				
			AC HD 1	AC HD 2	AC HD 3	HD 4	HD 5	AC HD 6	AC HD 7	AC HD 8	HD 9	AC HD 10	AC HD 11	AC HD 12	AC HD 13	HD 14		
77	2687 2820 67 01	Pin, Spirol					1	1	1					1	1	1		
78	2687 2820 47 01	Adaptor, Front					1	1	1					1	1	1		
78	2687 2815 99 03	Adaptor, Selection					1	1	1					1	1	1		
79	2687 2820 43 02	Ring, Snap					1	1	1					1	1	1		
80	2687 2820 31 01	Bearing, Annular					1	1	1					1	1	1		
81	2687 2820 01 02	Shaft Assy, Input					1	1	1					1	1	1		
85	2687 2820 86 01	Washer, Thrust					1	1	1					1	1	1		
87	2687 2820 43 03	Snap Ring					1	1	1					1	1	1		
88	2687 2820 86 02	Plate, Thrust					1	1	1					1	1	1		
89	2687 2820 54 02	Gear, Sun					1	1	1					1	1	1		
90	2687 2820 01 04	Carrier Assy , Planet					1	1	1					1	1	1		
91	2687 2820 01 05	Assy Speedo Gear and Shaft					1	1	1					1	1	1		
94	2687 2820 78 02	Seal, Speedo					1	1	1					1	1	1		
95	2687 2820 77 01	O Ring					1	1	1					1	1	1		
96	2687 2820 38 01	Body, Speedo					1	1	1					1	1	1		
97	2687 2820 32 01	Bolt					1	1	1					1	1	1		
98	2687 2815 99 02	Breather Assy					1	1	1					1	1	1		
99	2687 2815 99 03	Adaptor, Breather					1	1	1					1	1	1		
100	2687 2840 52 01	Cam, Electric Shift					1	1	1					1	1	1		
101	2687 2840 87 02	Spring, Torsion					1	1	1					1	1	1		

TABLE 28.1

TRANSFER CASE

GROUP 28

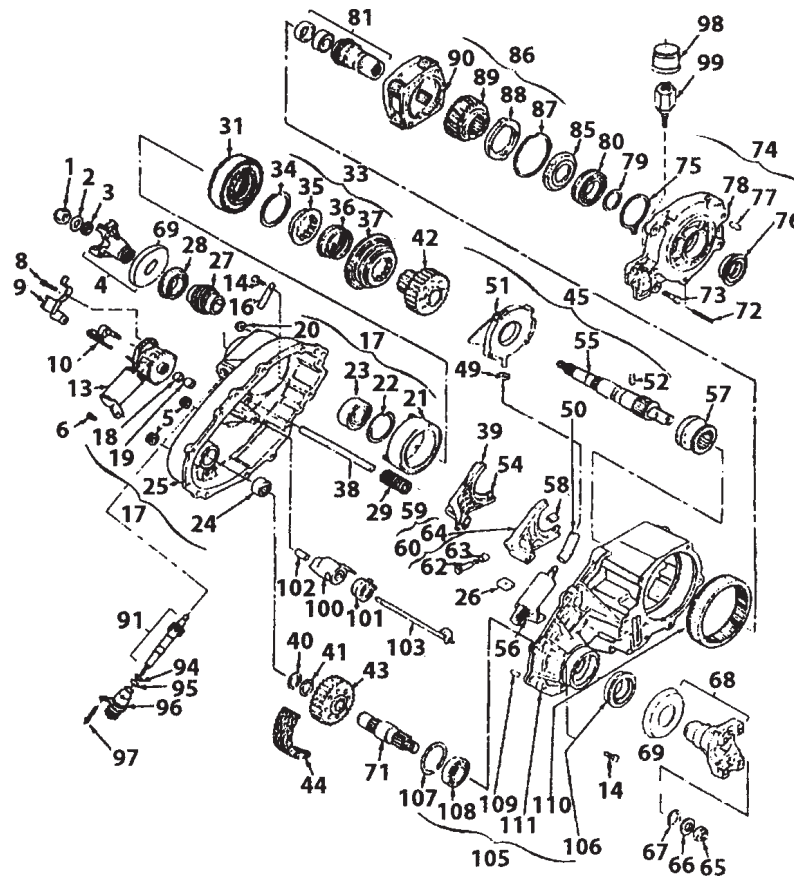
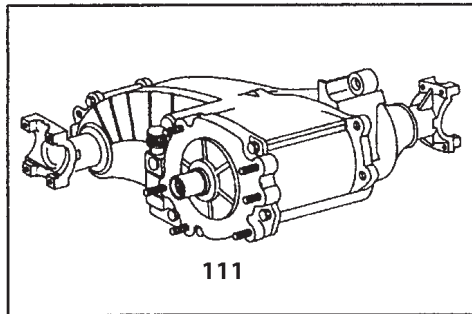


TABLE 28.1

TRANSFER CASE

GROUP 28

FIG. NO.	PART NUMBER	DESCRIPTION	SINGLE CAB						CREW CAB						R/L	REMARKS		
			4 x 2				4 x 4		4 x 2				4 x 4					
			AC HD 1	AC HD 2	AC HD 3	HD 4	HD 5	AC HD 6	AC HD 7	AC HD 8	HD 9	AC HD 10	AC HD 11	AC HD 12			AC HD 13	HD 14
102	2687 2840 86 01	Spacer					1	1	1					1	1	1		
103	2687 2840 79 02	Shaft, Shift					1	1	1					1	1	1		
105	2687 2815 01 03	Case Assy, Transfer					1	1	1					1	1	1		
106	2687 2820 78 01	Seal, Oil					1	1	1					1	1	1		
107	2687 2815 43 02	Ring, Snap					1	1	1					1	1	1		
108	2687 2815 31 01	Bearing Annular					1	1	1					1	1	1		
109	2687 2815 67 01	Pin, Dowel					2	2	2					2	2	2		
110	2687 2815 54 01	Gear, Ring					1	1	1					1	1	1		
--	2687 2815 43 01	Clip Connector					1	1	1					1	1	1		
--	'268728159903	Adaptor, Selection					1	1	1					1	1	1		
--	2704 5420 99 24	ECU, transfer case					1	1	1					1	1	1		

TABLE 29.1

CLUTCH CONTROLS

GROUP 29

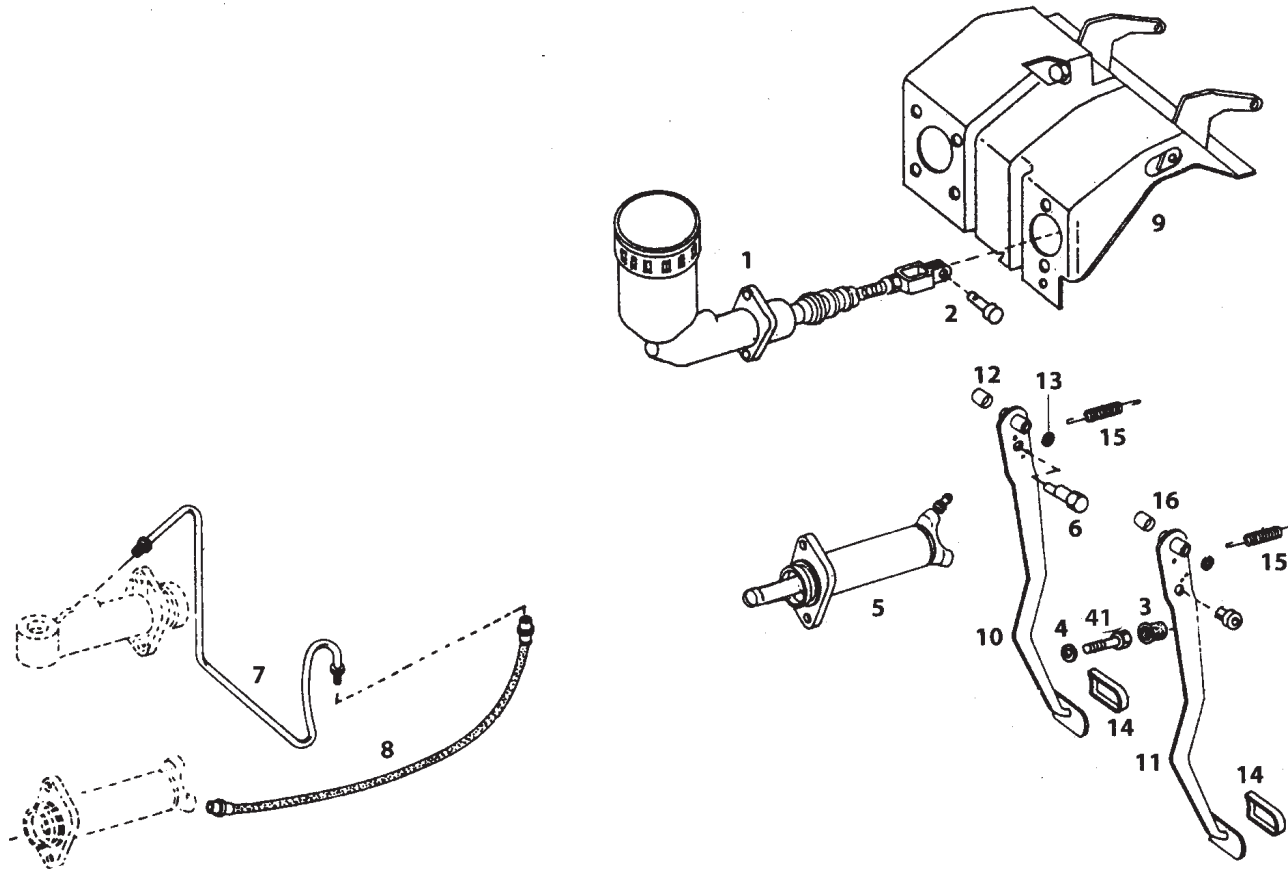


TABLE 29.1

CLUTCH CONTROLS

GROUP 29

FIG. NO.	PART NUMBER	DESCRIPTION	SINGLE CAB							CREW CAB							R/L	REMARKS
			4 x 2				4 x 4			4 x 2				4 x 4				
			AC HD 1	AC HD 2	AC HD 3	HD 4	HD 5	AC HD 6	AC HD 7	AC HD 8	HD 9	AC HD 10	AC HD 11	AC HD 12	AC HD 13	HD 14		
		CLUTCH CONTROLS																
1	2654 2910 01 94	Assy. Clutch Master Cylinder (BI)	1	1	1	1	1	1	1	1	1	1	1	1	1	1		Optional
1	2651 2910 01 72	Assy. Clutch Master Cylinder (KBX)	1	1	1	1	1	1	1	1	1	1	1	1	1	1		Optional
2	2573 2920 99 01	Clevis Pin	1	1	1	1	1	1	1	1	1	1	1	1	1	1		
3	2654 2910 77 02	Rubber Cap (for Pedal Lever Stopper)	1	1	1	1	1	1	1	1	1	1	1	1	1	1		
4	2654 2910 77 03	Rubber Spacer	1	1	1	1	1	1	1	1	1	1	1	1	1	1		
5	2654 2910 01 63	Assy. Slave Cylinder (BI)	1	1	1	1	1	1	1	1	1	1	1	1	1	1		Optional
5	2654 2910 01 95	Assy. Slave Cylinder (KBX)	1	1	1	1	1	1	1	1	1	1	1	1	1	1		Optional
6	2651 2910 67 01	Adjusting Accentric Pin	1	1	1	1	1	1	1	1	1	1	1	1	1	1		
7	2653 2910 01 01	Assy. Pipe					1		1					1	1	1	R	
7	265429100193	Assy. Pipe		1	1	1				1	1		1				R	
7	2654 2910 01 97	Assy. Pipe	1		1	1	1	1	1	1	1		1	1		1	L	
8	2699 2910 01 73	Assy. Hose 3.2 Dia.	1	1	1	1	1	1	1	1	1	1	1	1				
9	2653 2910 01 04	Assy. Control Mounting Bracket (Brake and Clutch)													1			
9	2653 2910 01 20	Assy.Control Mtg.With Brake And Clutch	1	1	1	1				1	1		1					
9	2653 2910 01 17	Assy.Control Mtg.With Brake And Clutch			1					1	1	1						
9	2653 2910 01 13	Assy.Control Mtg.With Brake And Clutch					1	1	1					1		1		
9	2653 2910 01 07	Assy.Control Mtg.With Brake And Clutch					1		1					1				
10	2654 2911 01 25	Assy. Brake Pedal Lever		1	1	1	1		1	1	1		1	1	1	1	R	
10	2654 2911 01 31	Assy. Brake Pedal Lever					1	1	1					1		1	L	

TABLE 29.1

CLUTCH CONTROLS

GROUP 29

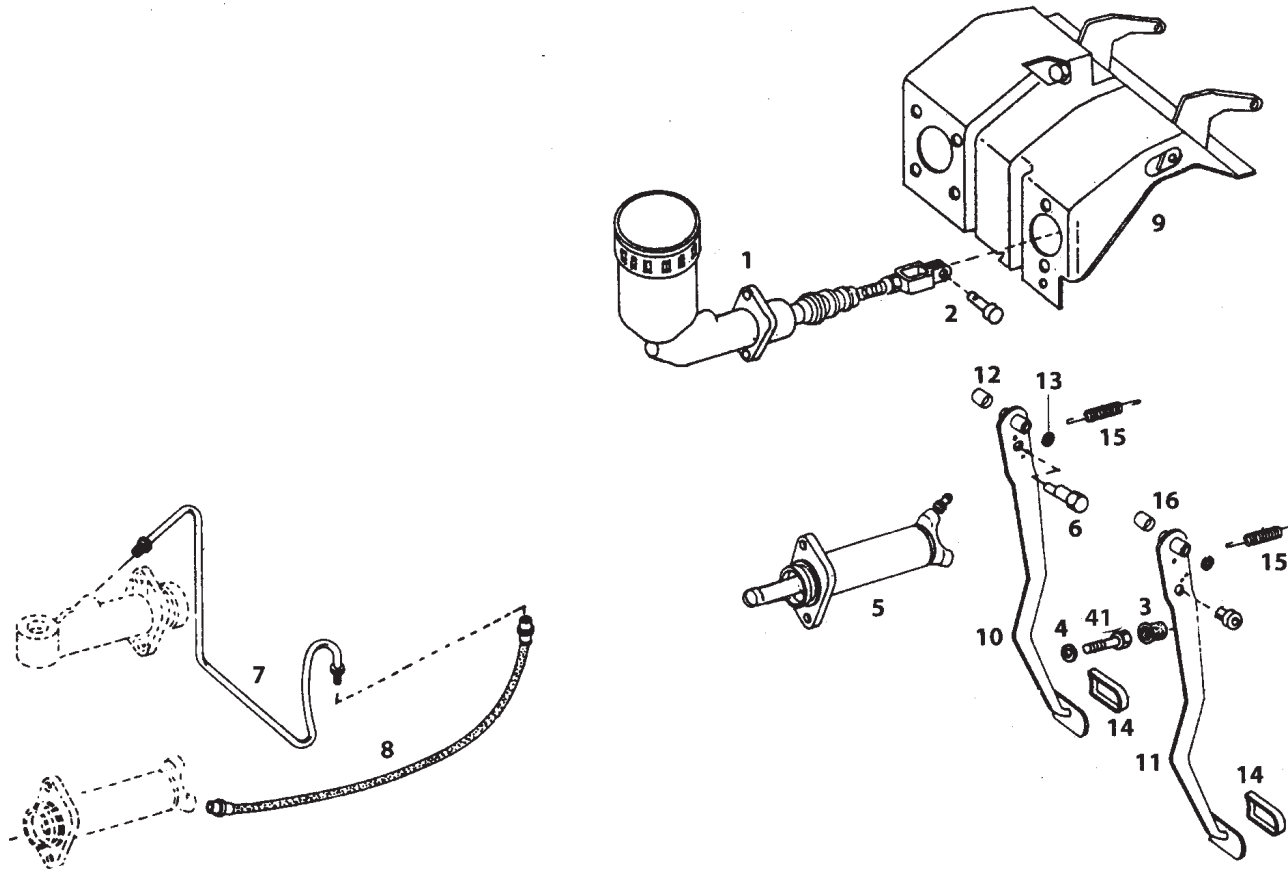


TABLE 29.1

CLUTCH CONTROLS

GROUP 29

FIG. NO.	PART NUMBER	DESCRIPTION	SINGLE CAB						CREW CAB						R/L	REMARKS		
			4 x 2				4 x 4		4 x 2			4 x 4						
			AC HD 1	AC HD 2	AC HD 3	HD 4	HD 5	AC HD 6	AC HD 7	AC HD 8	HD 9	AC HD 10	AC HD 11	AC HD 12			AC HD 13	HD 14
10	2654 2911 01 32	Assy. Brake Pedal Lever	1		1	1				1	1	1					L	
11	2653 2910 01 05	Assy. Clutch Pedal Lever Comp.						1		1			1	1	1		R	
11	2654 2910 01 03	Assy. Clutch Pedal Lever Comp.		1	1	1				1	1	1					R	
11	2653 2910 01 06	Assy. Clutch Pedal Lever Comp.						1	1	1			1			1	L	
11	2654 2911 01 30	Assy. Clutch Pedal Lever Comp.	1		1	1				1	1	1					L	
12	2651 2910 34 01	Sintered Bush	2	2	2	2	2	2	2	2	2	2	2	2	2	2		
13	2651 2910 86 02	Spacer	2	2	2	2	2	2	2	2	2	2	2	2	2	2		
14	2658 2910 77 04	Rubber Cover (Brake & Clutch Pedal)	2	2	2	2	2	2	2	2	2	2	2	2	2	2		
15	2658 2930 87 01	Return Spring (Pedal Lever)	2	2	2	2	2	2	2	2	2	2	2	2	2	2		
16	2651 2910 63 07	Bush	1	1	1	1	1	1	1	1	1	1	1	1	1	1		
41	1132 391064 4	Stopper Bolt	1	1	1	1	1	1	1	1	1	1	1	1	1	1		

TABLE 29.2

REPAIR KITS - CLUTCH MASTER CYLINDER (CMC) AND CLUTCH SLAVE CYLINDER (CSC) (BRAKES INDIA)

GROUP 29

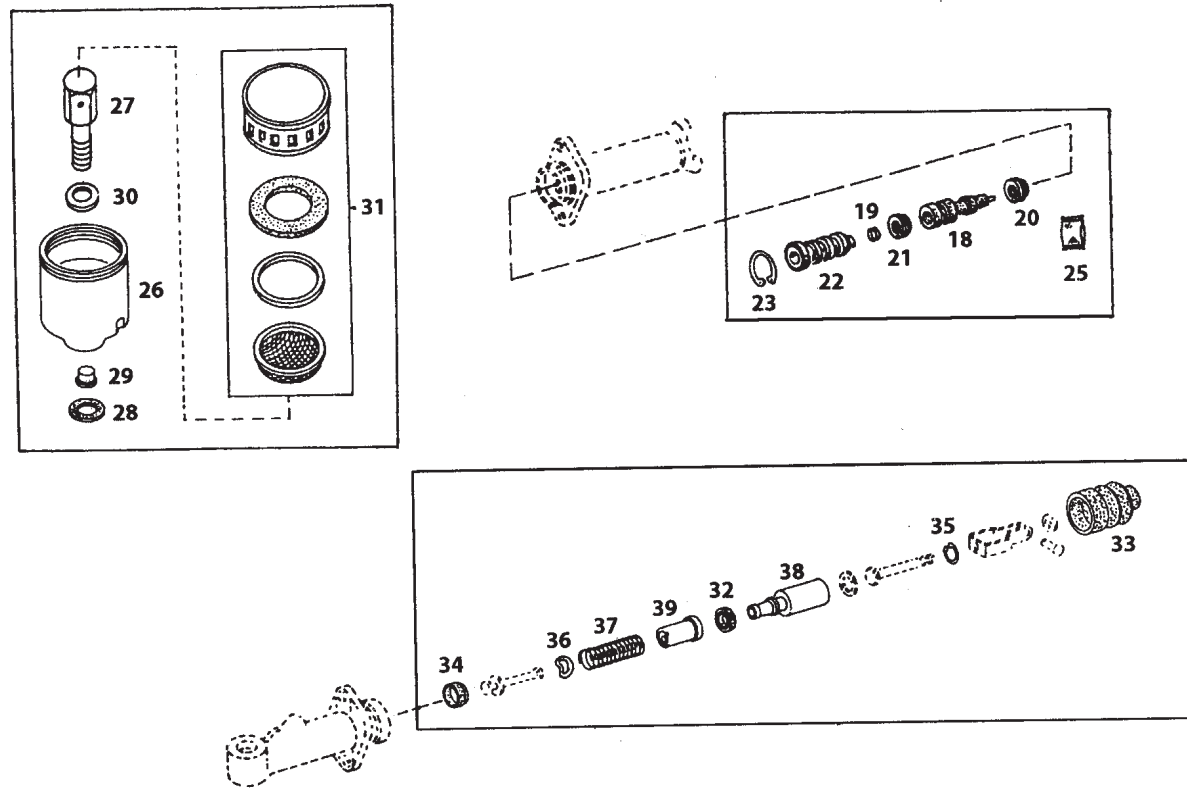


TABLE 29.2
REPAIR KITS - CLUTCH MASTER CYLINDER (CMC) AND CLUTCH SLAVE CYLINDER (CSC) (BRAKES INDIA)
GROUP 29

FIG. NO.	PART NUMBER	DESCRIPTION	SINGLE CAB						CREW CAB						R/L	REMARKS		
			4 x 2				4 x 4		4 x 2				4 x 4					
			AC HD 1	AC HD 2	AC HD 3	HD 4	HD 5	AC HD 6	AC HD 7	AC HD 8	HD 9	AC HD 10	AC HD 11	AC HD 12			AC HD 13	HD 14
		REPAIR KITS - CMC & CSC (BRAKES INDIA)																
19	2654 2910 01 56	Repair Kit (Minor) for CSC (BI) (23.81 mm Dia) Consisting of :	1	1	1	1	1	1	1	1	1	1	1	1	1	1		
20		Clip	1	1	1	1	1	1	1	1	1	1	1	1	1	1		
21		Piston Seal	1	1	1	1	1	1	1	1	1	1	1	1	1	1		
22		Seal	1	1	1	1	1	1	1	1	1	1	1	1	1	1		
23		Rubber Bellow	1	1	1	1	1	1	1	1	1	1	1	1	1	1		
25		Circlip	1	1	1	1	1	1	1	1	1	1	1	1	1	1		
		Grease Tube	1	1	1	1	1	1	1	1	1	1	1	1	1	1		
18	2654 2910 01 57	Repair Kit (Major) for CSC (BI) (23.81 mm Dia) Consisting of :	1	1	1	1	1	1	1	1	1	1	1	1	1	1		
19		Piston	1	1	1	1	1	1	1	1	1	1	1	1	1	1		
20		Clip	1	1	1	1	1	1	1	1	1	1	1	1	1	1		
21		Piston Seal	1	1	1	1	1	1	1	1	1	1	1	1	1	1		
22		Seal	1	1	1	1	1	1	1	1	1	1	1	1	1	1		
23		Rubber Bellow	1	1	1	1	1	1	1	1	1	1	1	1	1	1		
25		Circlip	1	1	1	1	1	1	1	1	1	1	1	1	1	1		
		Grease Tube	1	1	1	1	1	1	1	1	1	1	1	1	1	1		
26	2651 2910 01 44	Assy. Fluid Resv. for CMC (BI) (19.05 mm Dia) Consisting of :	1	1	1	1	1	1	1	1	1	1	1	1	1	1		
27		Brake Fluid Container	1	1	1	1	1	1	1	1	1	1	1	1	1	1		
28		Banjo	1	1	1	1	1	1	1	1	1	1	1	1	1	1		
		Rubber Washer	1	1	1	1	1	1	1	1	1	1	1	1	1	1		

TABLE 29.2

REPAIR KITS - CLUTCH MASTER CYLINDER (CMC) AND CLUTCH SLAVE CYLINDER (CSC) (BRAKES INDIA)

GROUP 29

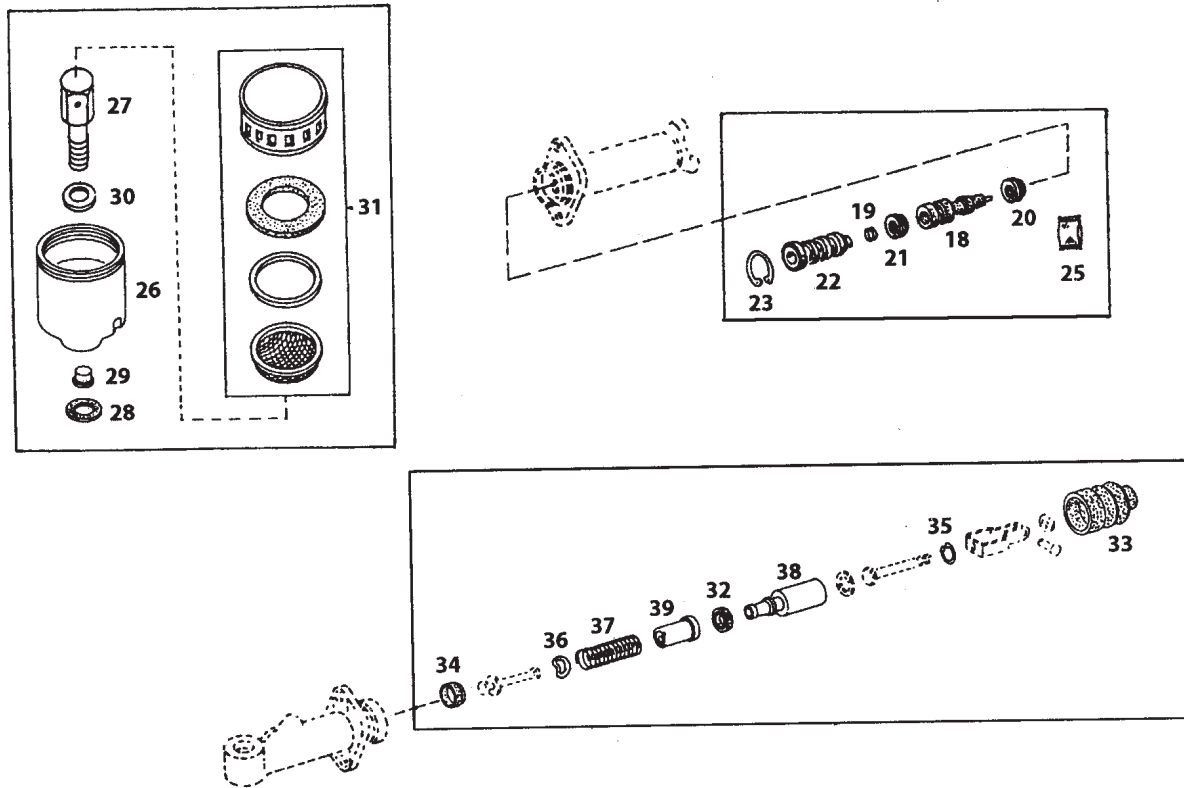


TABLE 29.2

REPAIR KITS - CLUTCH MASTER CYLINDER (CMC) AND CLUTCH SLAVE CYLINDER (CSC) (BRAKES INDIA)

GROUP 29

FIG. NO.	PART NUMBER	DESCRIPTION	SINGLE CAB							CREW CAB							R/L	REMARKS
			4 x 2				4 x 4			4 x 2				4 x 4				
			AC HD 1	AC HD 2	AC HD 3	HD 4	HD 5	AC HD 6	AC HD 7	AC HD 8	HD 9	AC HD 10	AC HD 11	AC HD 12	AC HD 13	HD 14		
29	2651 2910 01 48	Sleeve	1	1	1	1	1	1	1	1	1	1	1	1	1	1		
30		Washer	1	1	1	1	1	1	1	1	1	1	1	1	1	1		
31		Sub Assy. Filler Cap	1	1	1	1	1	1	1	1	1	1	1	1	1	1		
		Repair Kit (Minor) for CMC (BI) (19.05 mm Dia) Consisting of :	1	1	1	1	1	1	1	1	1	1	1	1	1	1		
32		Seal	1	1	1	1	1	1	1	1	1	1	1	1	1	1		
33		Rubber Bellow	1	1	1	1	1	1	1	1	1	1	1	1	1	1		
34		Seal	1	1	1	1	1	1	1	1	1	1	1	1	1	1		
35		Circlip	1	1	1	1	1	1	1	1	1	1	1	1	1	1		
36		Spring Washer	1	1	1	1	1	1	1	1	1	1	1	1	1	1		
37		Spring	1	1	1	1	1	1	1	1	1	1	1	1	1	1		
		Repair Kit (Major) for CMC (BI) (19.05 mm Dia) Consisting of :	1	1	1	1	1	1	1	1	1	1	1	1	1	1		
38		Piston	1	1	1	1	1	1	1	1	1	1	1	1	1	1		
39		Valve Spacer	1	1	1	1	1	1	1	1	1	1	1	1	1	1		
24		Assy. Fluid Reservoir	1	1	1	1	1	1	1	1	1	1	1	1	1	1		
	Repair Kit (Minor), Clutch Master Cylinder	1	1	1	1	1	1	1	1	1	1	1	1	1	1			

TABLE 29.3

REPAIR KITS - CLUTCH MASTER CYLINDER (CMC) AND CLUTCH SLAVE CYLINDER (CSC) (KBX)

GROUP 29

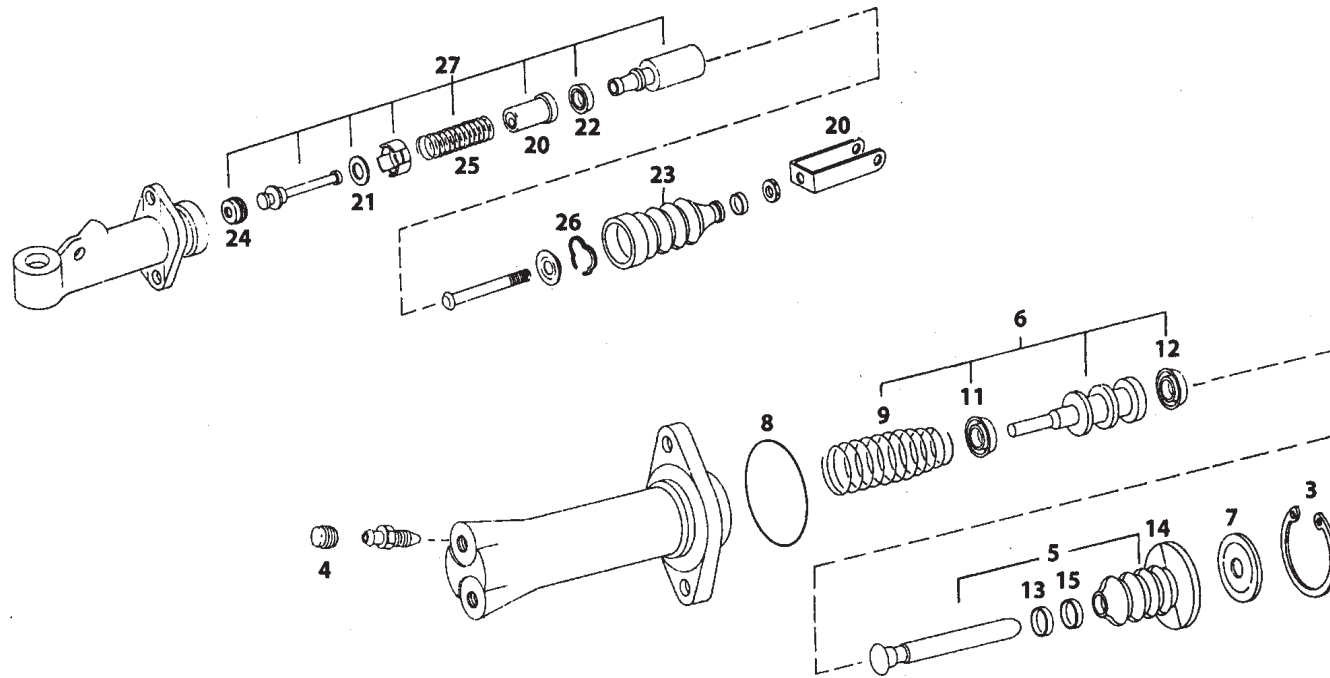


TABLE 29.3

REPAIR KITS - CLUTCH MASTER CYLINDER (CMC) AND CLUTCH SLAVE CYLINDER (CSC) (KBX)

GROUP 29

FIG. NO.	PART NUMBER	DESCRIPTION	SINGLE CAB						CREW CAB						R/L	REMARKS		
			4 x 2				4 x 4		4 x 2				4 x 4					
			AC HD 1	AC HD 2	AC HD 3	HD 4	HD 5	AC HD 6	AC HD 7	AC HD 8	HD 9	AC HD 10	AC HD 11	AC HD 12			AC HD 13	HD 14
		REPAIR KITS - CMC & CSC (KBX)																
8	2654 2920 01 05	Repair Kit (Minor) for CSC (KBX) (23.81 mm Dia) Consisting of :	1	1	1	1	1	1	1	1	1	1	1	1	1	1		
14		O Ring	1	1	1	1	1	1	1	1	1	1	1	1	1	1		
11		Boot	1	1	1	1	1	1	1	1	1	1	1	1	1	1		
12		Primary Seal	1	1	1	1	1	1	1	1	1	1	1	1	1	1		
		Secondary Seal																
3	2654 2920 01 06	Repair Kit (Major) for CSC (KBX) (23.81 mm Dia) Consisting of :	1	1	1	1	1	1	1	1	1	1	1	1	1	1		
4		Circlip	1	1	1	1	1	1	1	1	1	1	1	1	1	1		
6		Cap, Bleeder Screw	1	1	1	1	1	1	1	1	1	1	1	1	1	1		
13		Piston Complete	1	1	1	1	1	1	1	1	1	1	1	1	1	1		
7		Boot Clip	1	1	1	1	1	1	1	1	1	1	1	1	1	1		
8		Piston Stop Ring	1	1	1	1	1	1	1	1	1	1	1	1	1	1		
14		O Ring	1	1	1	1	1	1	1	1	1	1	1	1	1	1		
9		Boot	1	1	1	1	1	1	1	1	1	1	1	1	1	1		
		Spring	1	1	1	1	1	1	1	1	1	1	1	1	1	1		
20	2654 2910 01 03	Repair Kit (Minor) for CMC (KBX) (19.05 mm Dia) Consisting of :	1	1	1	1	1	1	1	1	1	1	1	1	1	1		
21		Spring Retainer	1	1	1	1	1	1	1	1	1	1	1	1	1	1		
22		Cup Washer	1	1	1	1	1	1	1	1	1	1	1	1	1	1		
23		Secondary Seal	1	1	1	1	1	1	1	1	1	1	1	1	1	1		
		Boot	1	1	1	1	1	1	1	1	1	1	1	1	1	1		

TABLE 29.3

REPAIR KITS - CLUTCH MASTER CYLINDER (CMC) AND CLUTCH SLAVE CYLINDER (CSC) (KBX)

GROUP 29

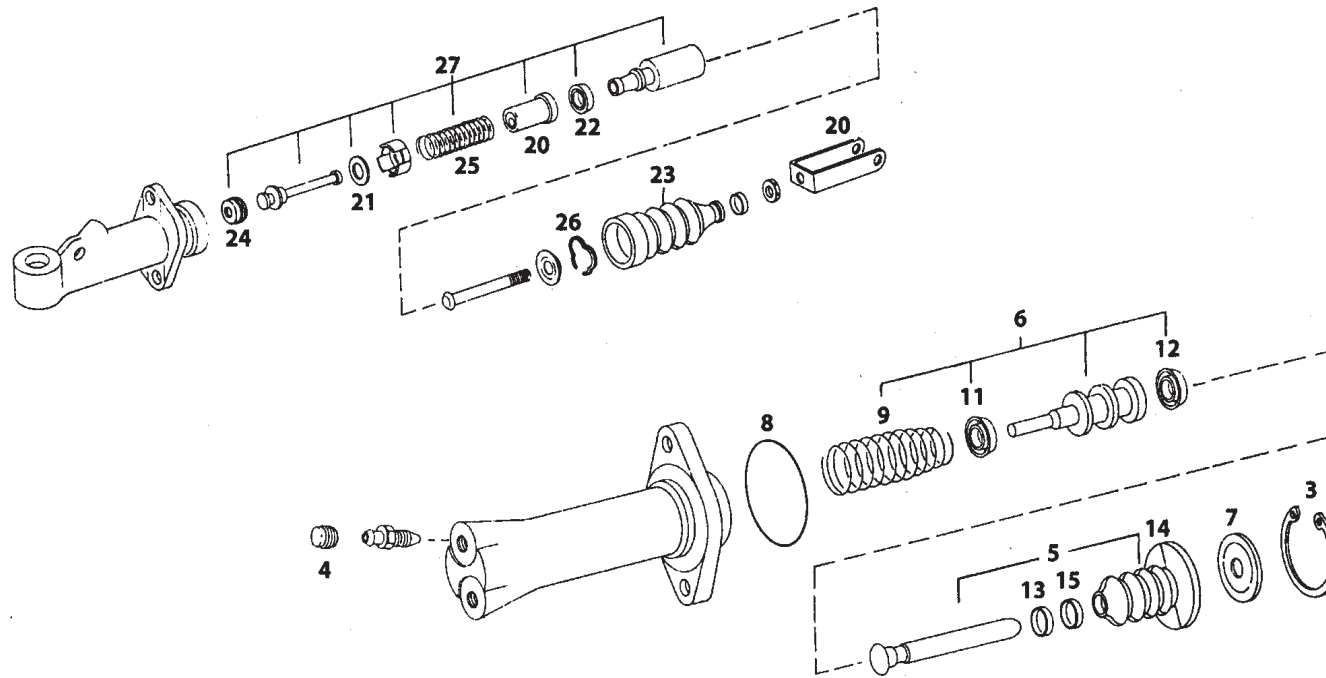


TABLE 29.3

REPAIR KITS - CLUTCH MASTER CYLINDER (CMC) AND CLUTCH SLAVE CYLINDER (CSC) (KBX)

GROUP 29

FIG. NO.	PART NUMBER	DESCRIPTION	SINGLE CAB						CREW CAB						R/L	REMARKS
			4 x 2			4 x 4			4 x 2			4 x 4				
			AC HD 1	AC HD 2	AC HD 3	HD 4	HD 5	AC HD 6	AC HD 7	AC HD 8	HD 9	AC HD 10	AC HD 11	AC HD 12		
24	2654 2910 01 04	Seal, Inlet Valve	1	1	1	1	1	1	1	1	1	1	1	1	1	
25		Spring	1	1	1	1	1	1	1	1	1	1	1	1	1	
26		Piston Stopper	1	1	1	1	1	1	1	1	1	1	1	1	1	
		Grease Pack	1	1	1	1	1	1	1	1	1	1	1	1	1	
		Repair Kit (Major) for CMC (KBX) (19.05 mm Dia)	1	1	1	1	1	1	1	1	1	1	1	1	1	
		Consisting of :														
27		Assy. Piston	1	1	1	1	1	1	1	1	1	1	1	1	1	
23		Boot	1	1	1	1	1	1	1	1	1	1	1	1	1	
26	Piston Stopper	1	1	1	1	1	1	1	1	1	1	1	1	1		

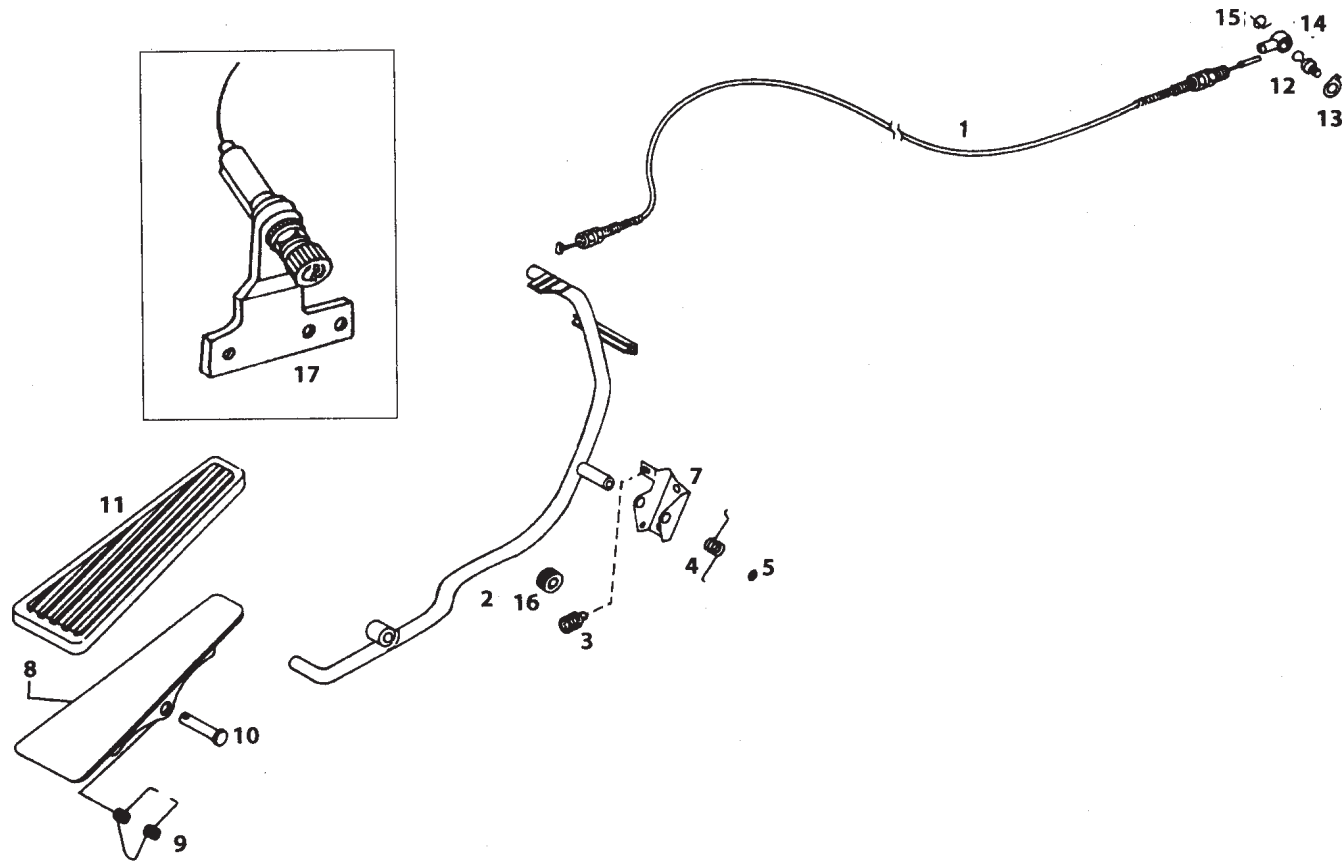


TABLE 30.1

ACCELERATOR PEDAL

GROUP 30

FIG. NO.	PART NUMBER	DESCRIPTION	SINGLE CAB							CREW CAB							R/L	REMARKS	
			4 x 2				4 x 4			4 x 2				4 x 4					
			AC HD 1	AC HD 2	AC HD 3	HD 4	HD 5	AC HD 6	AC HD 7	AC HD 8	HD 9	AC HD 10	AC HD 11	AC HD 12	AC HD 13	HD 14			
		ACCELERATOR PEDAL																	
1	2659 3010 01 26	Assy. Accelerator Cable			1													R	Euro II
1	2654 3010 01 36	Assy. Accelerator Cable				1	1					1		1		1		R	Euro III
1	2659 3010 01 26	Assy. Accelerator Cable		1		1				1	1	1		1	1			R	Euro II
1	2654 3010 01 35	Assy. Accelerator Cable			1	1	1			1	1	1		1		1		L	Euro III
1	2659 3010 01 29	Assy. Accelerator Cable	1				1	1		1				1				L	Euro II
1	2659 3010 01 29	Assy. Accelerator Cable										1						L	Euro III
2	2697 3010 01 09	Assy. Accelerator Rod		1	1	1	1			1	1	1		1	1	1	1	R	
2	2701 3010 01 02	Assy. Accelerator Rod	1		1	1	1	1	1	1	1	1	1		1		1	L	
3	2654 3010 77 01	Rubber Stopper	1	1	1	1	1	1	1	1	1	1	1	1	1	1	1		
4	2654 3010 87 06	Spring (for Acc. Rod)	1	1	1	1	1	1	1	1	1	1	1	1	1	1	1		
5	2654 3010 86 01	Spacer	1	1	1	1	1	1	1	1	1	1	1	1	1	1	1		
7	2658 3010 82 11	Bracket (Acc. Pedal Mtg.)		1	1	1	1			1	1	1		1	1	1	1	R	
7	2658 3010 82 07	Bracket (Acc. Pedal Mtg.)	1		1	1	1	1	1	1	1	1		1		1		L	
8	2697 3010 01 06	Assy. Pedal Plate		1	1	1	1			1	1	1		1	1	1	1	R	
8	2701 3010 01 03	Assy. Pedal Plate	1		1	1	1	1	1	1	1	1		1		1		L	
9	2654 3010 87 02	Spring	1	1	1	1	1	1	1	1	1	1	1	1	1	1	1		
10	2654 3010 99 02	Pin	1	1	1	1	1	1	1	1	1	1	1	1	1	1	1		
11	2654 3010 77 02	Rubber Cover	1	1	1	1	1	1	1	1	1	1	1	1	1	1	1		
12	1727 160100 0	Ball Pin C10	1	1	1	1	1	1	1	1	1	1	1	1	1	1	1		

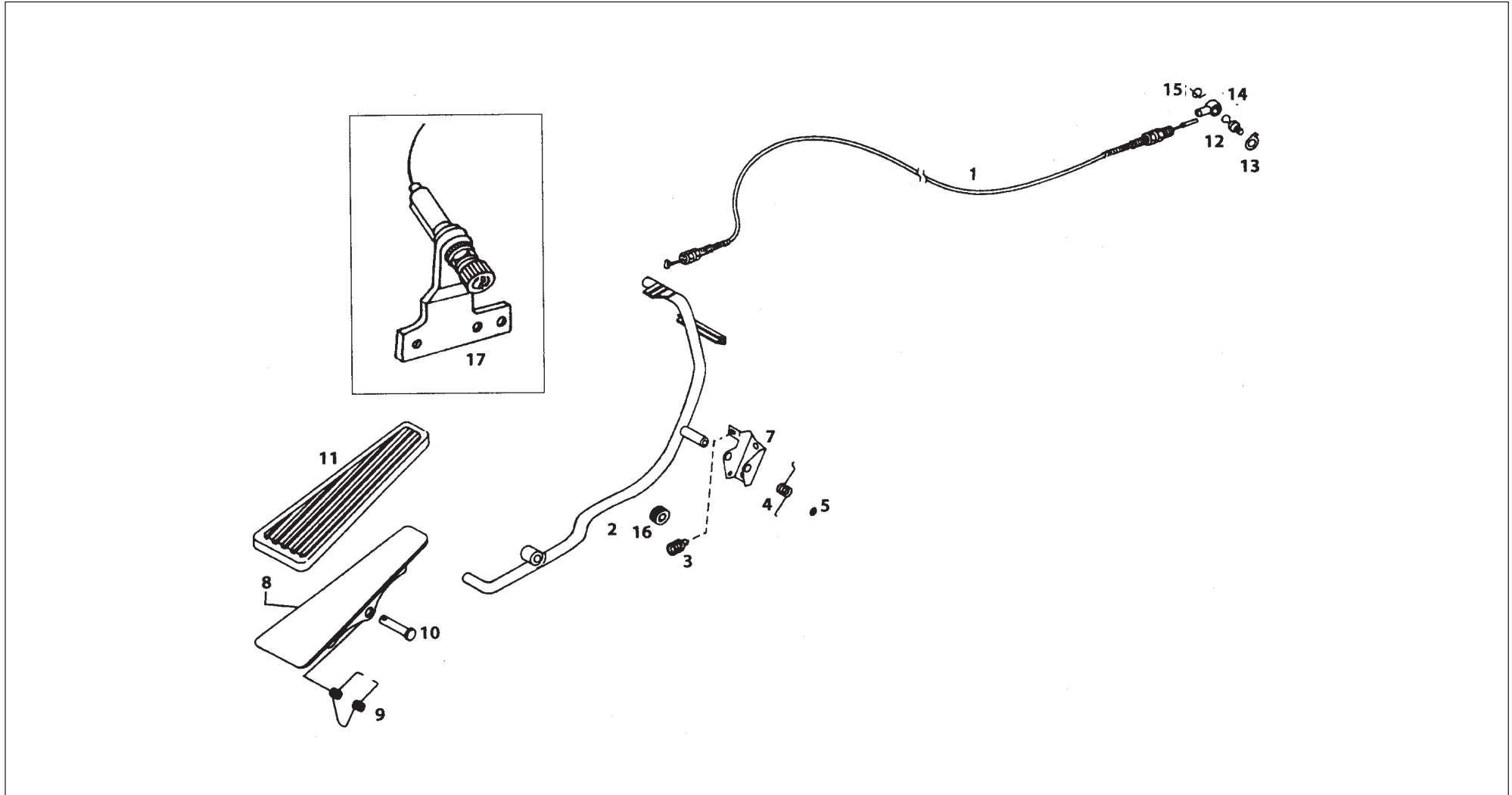


TABLE 30.1

ACCELERATOR PEDAL

GROUP 30

FIG. NO.	PART NUMBER	DESCRIPTION	SINGLE CAB						CREW CAB						R/L	REMARKS	
			4 x 2				4 x 4		4 x 2				4 x 4				
			AC HD 1	AC HD 2	AC HD 3	HD 4	HD 5	AC HD 6	AC HD 7	AC HD 8	HD 9	AC HD 10	AC HD 11	AC HD 12			AC HD 13
13	2659 3010 82 01	Tab Washer	1	1	1	1	1	1	1	1	1	1	1	1	1		
14	1727 120100 1	Ball End Assy. B 10	1	1	1	1	1	1	1	1	1	1	1	1	1		
15	1445 060100 5	Locking Ring 10	1	1	1	1	1	1	1	1	1	1	1	1	1		
16	2654 3010 77 04	Rubber Grommet	1	1	1	1	1	1	1	1	1	1	1	1	1		
17	2658 3010 01 30	Assy. Idling Adjusting Cable with Bracket		1	1	1	1		1	1	1		1	1	1	R	
17	2658 3010 01 29	Assy. Idling Adjusting Cable with Bracket	1		1	1	1	1	1	1	1		1		1	L	

TABLE 31.1

FRAME (SINGLE CAB, 4 x 2 AND 4 x 4)

GROUP 31

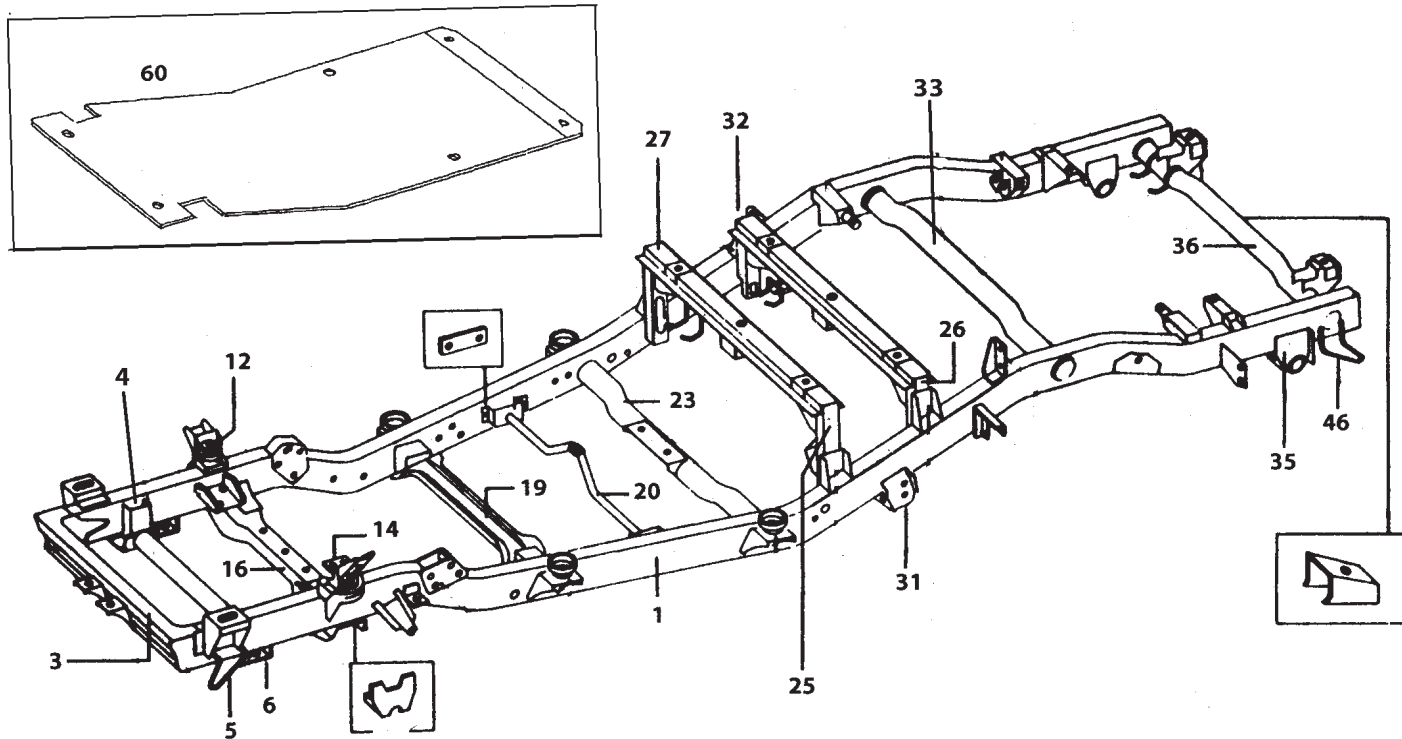


TABLE 31.1

FRAME (SINGLE CAB, 4 x 2 AND 4 x 4)

GROUP 31

FIG. NO.	PART NUMBER	DESCRIPTION	SINGLE CAB						CREW CAB						R/L	REMARKS	
			4 x 2				4 x 4		4 x 2			4 x 4					
			AC HD 1	AC HD 2	AC HD 3	HD 4	HD 5	AC HD 6	AC HD 7	AC HD 8	HD 9	AC HD 10	AC HD 11	AC HD 12			AC HD 13
		FRAME (SINGLE CAB, 4 X 2 AND 4 X 4)															
1	2654 3100 01 46	Assy. Frame 4 X 2 with RUPD (31 WB)	1	1	1	1											
1	2654 3100 01 53	Assy. Frame 4 X 2 w/o RUPD (28 WB)			1	1											
1	2653 3100 01 05	Assy. Frame 4 X 4 with RUPD (28 WB)					1	1	1								
3	2698 3120 01 10	Assy. Front Cross Member	1	1	1	1	1	1	1								
4	2660 3210 01 14	Assy. Cross Member, Front Susp.	1	1	1	1	1	1	1								
5	2660 3140 99 01	Towing Hook (Front)	1	1	1	1	1	1	1								
6	2660 3280 01 03	Assy. Bracket LH (Anti - Roll Bar)	1	1	1	1	1	1	1								
6	2660 3280 01 04	Assy. Bracket RH (Anti - Roll Bar)	1	1	1	1	1	1	1								
12	2699 3210 01 59	Assy. Bracket LH (Upper Wishbone Mtg., Frt Susp.)	1	1	1	1	1	1	1								
12	2699 3210 01 60	Assy. Bracket RH (Upper Wishbone Mtg., Frt Susp.)	1	1	1	1	1	1	1								
	2699 3210 01 53	Assy. Bracket LH (Lower Wishbone Mtg., Frt Susp.)	1	1	1	1	1	1	1								
	2699 3210 01 54	Assy. Bracket RH (Lower Wishbone Mtg., Frt Susp.)	1	1	1	1	1	1	1								
14	2653 3170 01 04	Assy. Fuel Filter Mtg. Bracket	1	1	1	1	1	1	1								
16	2660 3210 01 03	Assy. Cross Member, Front	1	1	1	1	1	1	1								
19	2699 3120 82 80	Cross Member, Engine Mtg. Rear	1	1	1	1	1	1	1								
20	2654 3121 01 14	Assy. Tube (for Gear Box Extension Mtg.)	1	1	1	1											
23	2653 3120 01 33	Assy. Centre Bearing Cross Member	1	1	1	1	1	1	1								
																	For Frames 2654 3100 01 46 and 2653 3100 01 05

TABLE 31.1

FRAME (SINGLE CAB, 4 x 2 AND 4 x 4)

GROUP 31

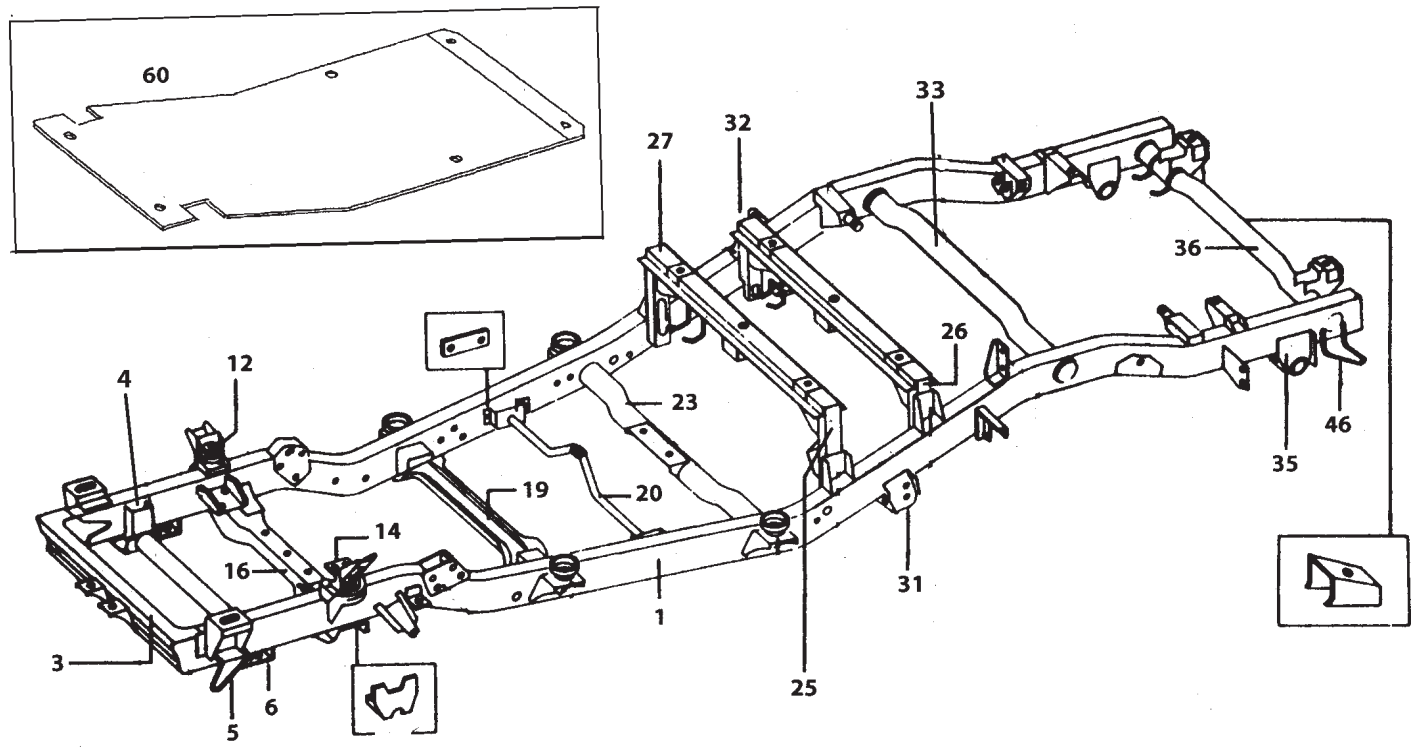


TABLE 31.1

FRAME (SINGLE CAB, 4 x 2 AND 4 x 4)

GROUP 31

FIG. NO.	PART NUMBER	DESCRIPTION	SINGLE CAB						CREW CAB						R/L	REMARKS			
			4 x 2				4 x 4		4 x 2			4 x 4							
			AC HD 1	AC HD 2	AC HD 3	HD 4	HD 5	AC HD 6	AC HD 7	AC HD 8	HD 9	AC HD 10	AC HD 11	AC HD 12			AC HD 13	HD 14	
--	2654 3170 01 04	Assy. Cross Runner (For Fixing Lamps)			1	1				1				1					
23	2653 3120 01 35	Assy. Centre Bearing Cross Member			1	1													For Frame 2654 3100 01 53
25	2653 3120 01 45	Assy. Fuel Tank Support (Front) LH	1	1	1	1	1	1	1										
26	2653 3120 01 44	Assy. Fuel Tank Support (Rear) LH	1	1	1	1	1	1	1										
27	2653 3120 01 42	Assy. Cross Runner (Front) (Load Body Mtg.)	1	1	1	1	1	1	1										
31	2654 3240 01 13	Assy. Spring Hanger Bracket Front (Rear, Spring)	2	2	2	2	1	1	1										
32	2653 3120 01 41	Assy. Cross Runner (Rear) (Load Body Mtg.)	1	1	1	1	1	1	1										
33	2653 3120 01 46	Assy Cross Member Tube	1	1	1	1	1	1	1										
35	2654 3240 01 08	Assy. Spring Hanger Bracket Rear (Rear Spring)	2	2	2	2	1	1	1										
36	2653 3120 01 43	Assy. End Cross Member	1	1	1	1	1	1	1										
46	2653 3120 01 38	Assy. Bracket, LH Side (for Towing Hook Rear & RUPD)	1	1	1	1	1	1	1										For Frames 2654 3100 01 46 and 2653 3100 01 05
46	2660 3140 01 01	Assy. Bracket, Towing Hook Rear			1	1													For Frame 2654 3100 01 53
--	2653 3120 01 37	Assy. Rear Underrun Protection Device (RUPD)	1	1	1	1	1	1	1										For Frames 2654 3100 01 46 and 2653 3100 01 05
60	2653 3170 01 03	Assy. Noise Shield	1	1	1	1	1	1	1	1	1	1	1	1	1	1	1		
	2653 3100 82 01	Front Skirt	1	1	1	1	1	1	1	1	1	1	1	1	1	1			Refer Table 81.2

TABLE 31.2

FRAME (CREW CAB, 4 x 2 AND 4 x 4)

GROUP 31

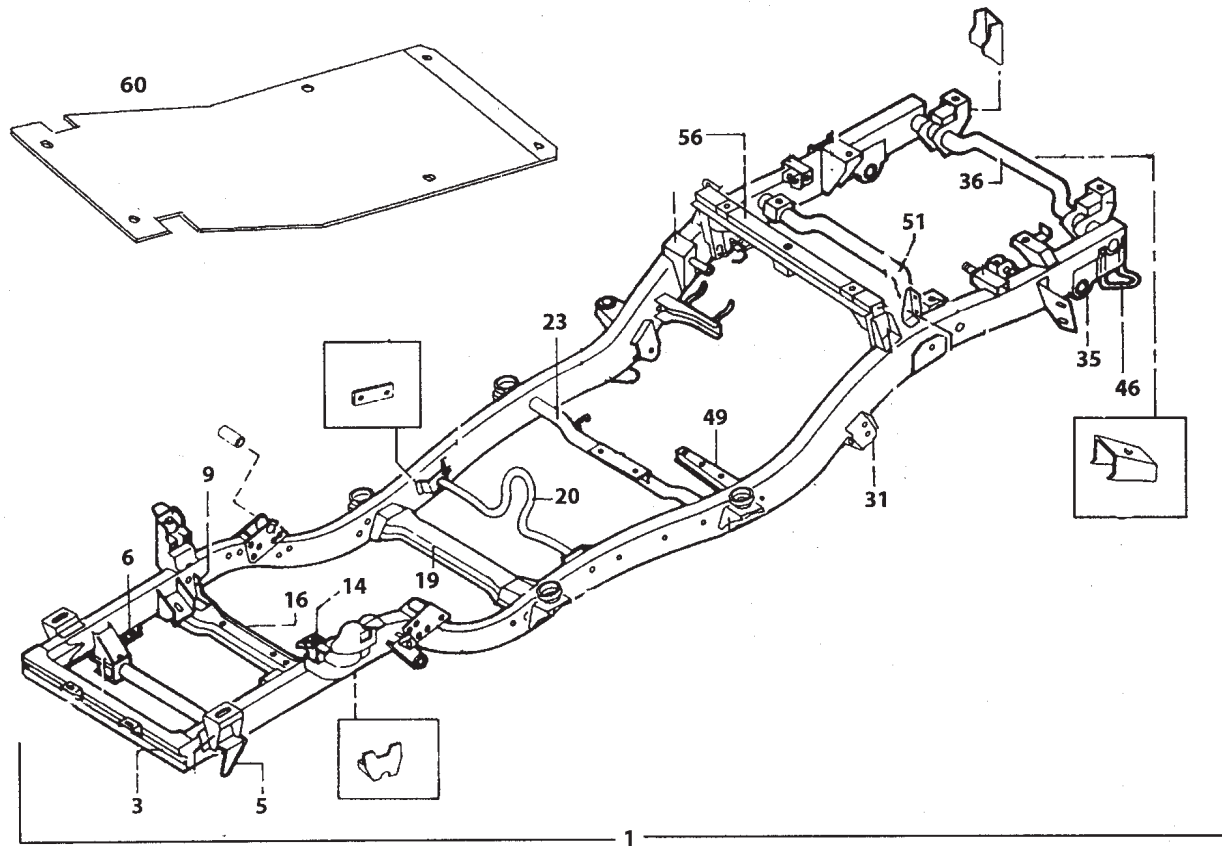


TABLE 31.2

FRAME (CREW CAB, 4 x 2 AND 4 x 4)

GROUP 31

FIG. NO.	PART NUMBER	DESCRIPTION	SINGLE CAB							CREW CAB							R/L	REMARKS		
			4 x 2				4 x 4			4 x 2				4 x 4						
			AC HD 1	AC HD 2	AC HD 3	HD 4	HD 5	AC HD 6	AC HD 7	AC HD 8	HD 9	AC HD 10	AC HD 11	AC HD 12	AC HD 13	HD 14				
		FRAME (CREW CAB, 4 X 2 AND 4 X 4)																		
1	2701 3100 01 28	Assy. Frame 4 X 2 with RUPD (31 WB)								1	1	1	1							31 WB
1	2721 3100 01 04	Assy. Frame 4 X 4 with RUPD (31 WB)													1	1	1			31 WB
3	2698 3120 01 10	Assy. Front Cross Member								1	1	1	1	1	1	1				
4	2660 3210 01 14	Assy. Cross Member, Front Susp.								1	1	1	1	1	1	1				
5	2660 3140 99 01	Towing Hook (Front)								1	1	1	1	1	1	1				
6	2660 3280 01 03	Assy. Bracket LH (Anti - Roll Bar)								1	1	1	1	1	1	1				
6	2660 3280 01 04	Assy. Bracket RH (Anti - Roll Bar)								1	1	1	1	1	1	1				
9	2699 3210 01 59	Assy. Bracket LH (Upper Wishbone Mtg., Frt Susp.)								1	1	1	1	1	1	1				
9	2699 3210 01 60	Assy. Bracket RH (Upper Wishbone Mtg., Frt Susp.)								1	1	1	1	1	1	1				
	2699 3210 01 53	Assy. Bracket LH (Lower Wishbone Mtg., Frt Susp.)								1	1	1	1	1	1	1				
	2699 3210 01 54	Assy. Bracket RH (Lower Wishbone Mtg., Frt Susp.)								1	1	1	1	1	1	1				
14	2653 3170 01 04	Assy. Fuel Filter Mtg. Bracket								1	1	1	1	1	1	1				
16	2660 3210 01 03	Assy. Cross Member, Front								1	1	1	1	1	1	1				
19	2699 3120 82 80	Cross Member, Engine Mtg. Rear								1	1	1	1	1	1	1				
20	2654 3121 01 14	Assy. Tube (for Gear Box Extension Mtg.)								1	1	1	1							
23	2653 3120 01 35	Assy. Centre Bearing Cross Member								1	1	1	1	1	1	1				
31	2654 3240 01 13	Assy. Spring Hanger Bracket Front (Rear, Spring)								2	2	2	2	2	2	2				
35	2654 3240 01 08	Assy. Spring Hanger Bracket Rear (Rear Spring)								2	2	2	2	2	2	2				
36	2653 3120 01 43	Assy. End Cross Member								1	1	1	1	1	1	1				

TABLE 31.2

FRAME (CREW CAB, 4 x 2 AND 4 x 4)

GROUP 31

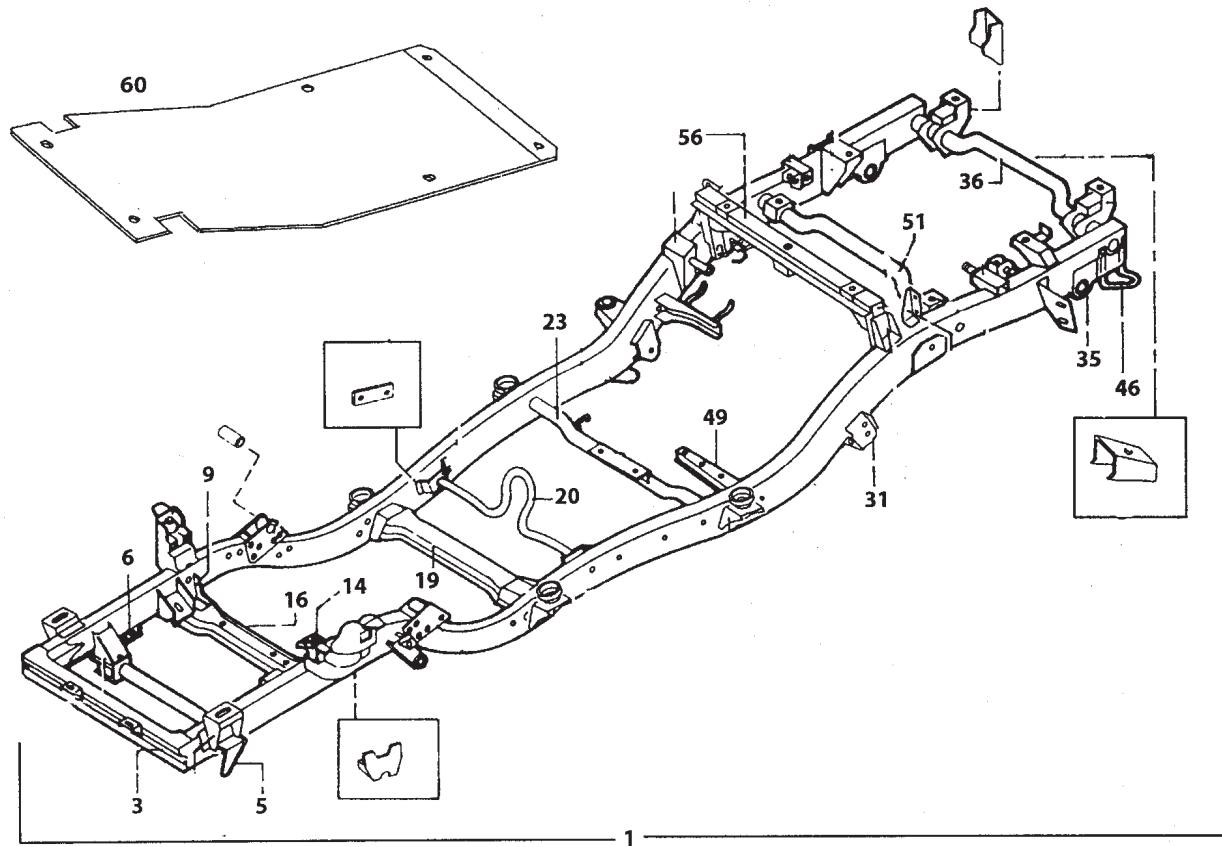


TABLE 31.2

FRAME (CREW CAB, 4 x 2 AND 4 x 4)

GROUP 31

FIG. NO.	PART NUMBER	DESCRIPTION	SINGLE CAB						CREW CAB						R/L	REMARKS	
			4 x 2				4 x 4		4 x 2				4 x 4				
			AC HD 1	AC HD 2	AC HD 3	HD 4	HD 5	AC HD 6	AC HD 7	AC HD 8	HD 9	AC HD 10	AC HD 11	AC HD 12			AC HD 13
46	2653 3120 01 38	Assy. Bracket, Towing Hook Rear & RUPD							1	1	1	1	1	1	1		Refer Table 81.2
49	2721 4710 01 03	Assy. Bracket (Fuel Tank Mtg. Front)							1	1	1	1	1	1	1		
51	2721 3120 01 02	Assy Cross Member Tube (Fuel Tank Mtg. Rear)							1	1	1	1	1	1	1		
56	2721 3120 01 08	Assy. Cross Runner (Load Body Mtg.)							1	1	1	1	1	1	1		
	2653 3120 01 37	Assy. Rear Underrun Protection Device (RUPD)							1	1	1	1	1	1	1		
60	2653 3170 01 03	Assy. Noise Shield	1	1	1	1	1	1	1	1	1	1	1	1	1		
-	2653 3100 82 01	Front Skirt	1	1	1	1	1	1	1	1	1	1	1	1	1		
--	2654 3170 01 04	Assy. Cross Runner (For Fixing Lamps)			1	1			1				1				

TABLE 32.1

FRONT SUSPENSION

GROUP 32

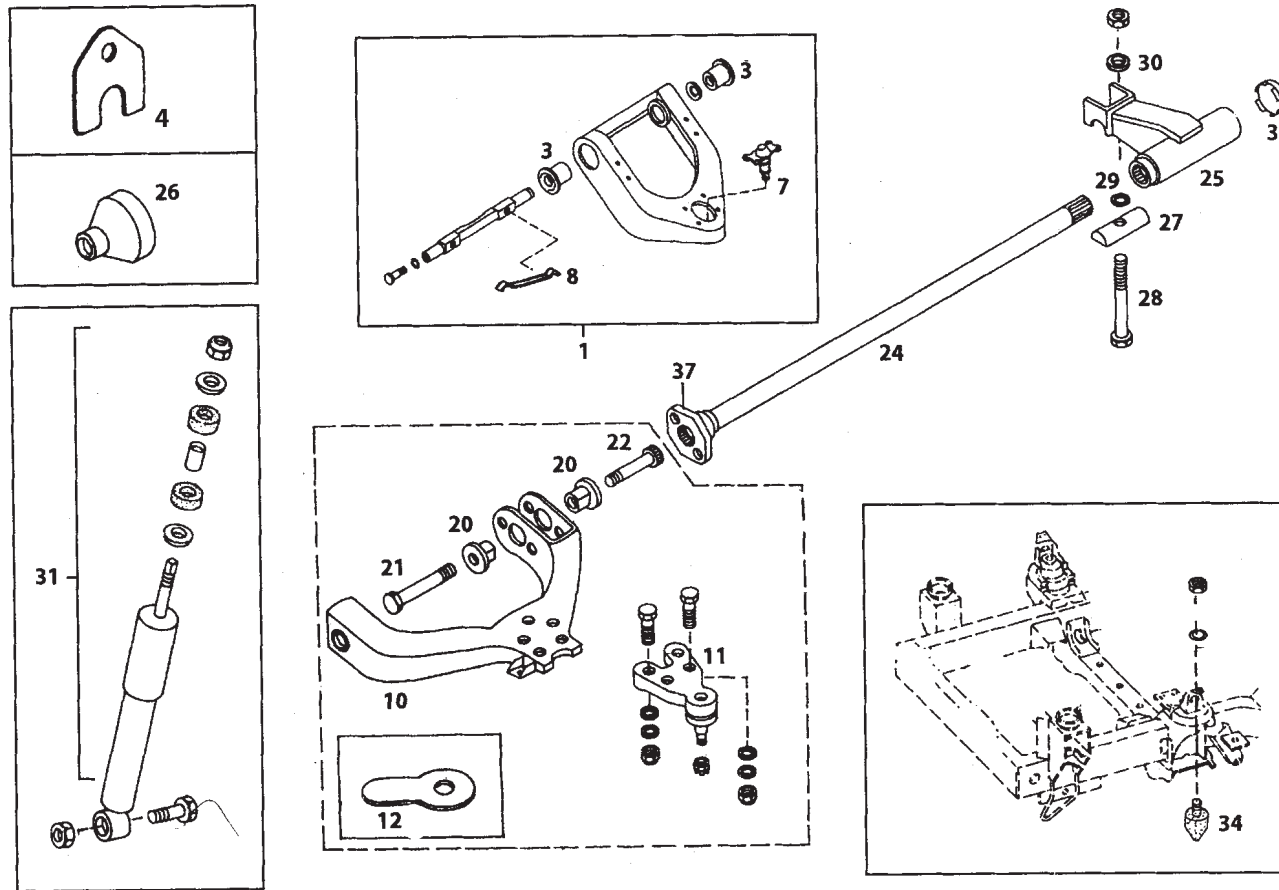


TABLE 32.1

FRONT SUSPENSION

GROUP 32

FIG. NO.	PART NUMBER	DESCRIPTION	SINGLE CAB						CREW CAB						R/L	REMARKS	
			4 x 2				4 x 4		4 x 2				4 x 4				
			AC HD 1	AC HD 2	AC HD 3	HD 4	HD 5	AC HD 6	AC HD 7	AC HD 8	HD 9	AC HD 10	AC HD 11	AC HD 12			AC HD 13
		FRONT SUSPENSION															
1	2699 3210 01 42	Assy. Upper Wishbone Complete LH	1	1	1	1	1	1	1	1	1	1	1	1	1		
1	2699 3210 01 43	Assy. Upper Wishbone Complete RH	1	1	1	1	1	1	1	1	1	1	1	1	1		
3	2699 3210 01 84	Assy. Pivot Bush (Upper Wishbone)	2	2	2	2	2	2	2	2	2	2	2	2	2		
4	2699 3210 83 09	Shim (Castor Adjustment)	AR	AR	AR	AR	AR	AR	AR	AR	AR	AR	AR	AR	AR		
7	2659 3210 01 15	Assy. Ball Joint Top Wishbone	1	1	1	1	1	1	1	1	1	1	1	1	1		
8	2699 3210 83 06	Shim 2.00 Thk.	AR	AR	AR	AR	AR	AR	AR	AR	AR	AR	AR	AR	AR	For Selection	
8	2699 3210 83 07	Shim 3.15 Thk.	AR	AR	AR	AR	AR	AR	AR	AR	AR	AR	AR	AR	AR	For Selection	
8	2699 3210 83 08	Shim 4.00 Thk.	AR	AR	AR	AR	AR	AR	AR	AR	AR	AR	AR	AR	AR	For Selection	
10	2699 3210 01 88	Sub Assy. Lower Wishbone RH	1	1	1	1	1	1	1	1	1	1	1	1	1		
10	2699 3210 01 89	Sub Assy. Lower Wishbone LH	1	1	1	1	1	1	1	1	1	1	1	1	1		
11	2699 3210 01 50	Assy. Lower Ball Joint	1	1	1	1	1	1	1	1	1	1	1	1	1		
12	2704 3210 83 01	Shim 1.6 Thk.	AR	AR	AR	AR	AR	AR	AR	AR	AR	AR	AR	AR	AR	For Selection	
12	2704 3210 83 02	Shim 2.5 Thk.	AR	AR	AR	AR	AR	AR	AR	AR	AR	AR	AR	AR	AR	For Selection	
12	2704 3210 83 03	Shim 3.15 Thk.	AR	AR	AR	AR	AR	AR	AR	AR	AR	AR	AR	AR	AR	For Selection	
20	2658 3210 01 34	Assy. Pivot Bush (Frt. Susp. Lower Link)	4	4	4	4	4	4	4	4	4	4	4	4	4		
21	2699 3210 32 03	Mounting Pin (Lower Wishbone Front)	2	2	2	2	2	2	2	2	2	2	2	2	2		
22	2699 3210 32 02	Mounting Pin (Lower Wishbone Rear)	2	2	2	2	2	2	2	2	2	2	2	2	2		
24	2699 3210 79 07	Torsion Bar RH (28 Dia)	1	1	1	1	1	1	1	1	1	1	1	1	1		
24	2699 3210 79 08	Torsion Bar LH (28 Dia)	1	1	1	1	1	1	1	1	1	1	1	1	1		

TABLE 32.1

FRONT SUSPENSION

GROUP 32

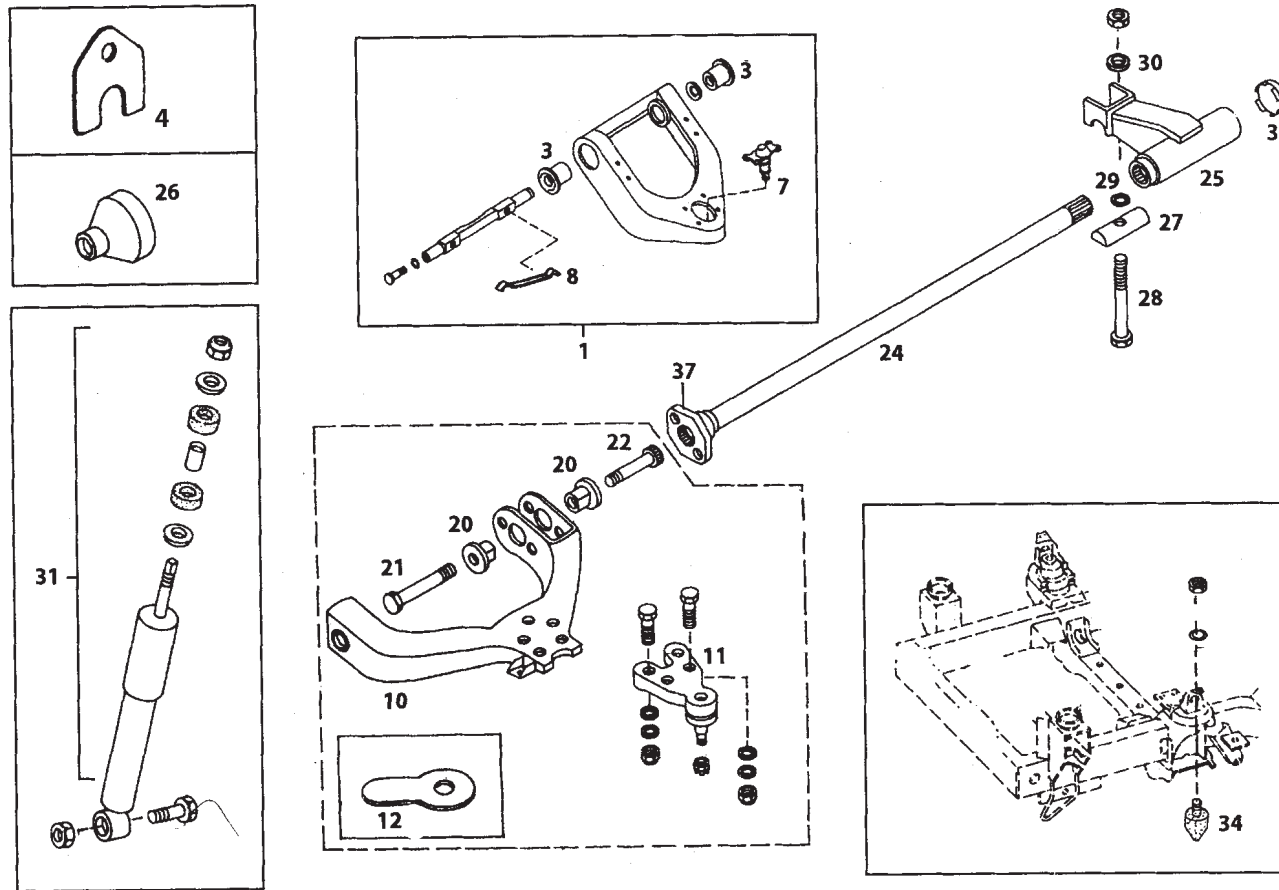


TABLE 32.1

FRONT SUSPENSION

GROUP 32

FIG. NO.	PART NUMBER	DESCRIPTION	SINGLE CAB						CREW CAB						R/L	REMARKS	
			4 x 2				4 x 4		4 x 2				4 x 4				
			AC HD 1	AC HD 2	AC HD 3	HD 4	HD 5	AC HD 6	AC HD 7	AC HD 8	HD 9	AC HD 10	AC HD 11	AC HD 12			AC HD 13
25	2699 3210 01 78	Assy. Lever RH (Torsion Bar Frt. Susp.)	1	1	1	1	1	1	1	1	1	1	1	1	1		
25	2699 3210 01 79	Assy. Lever LH (Torsion Bar Frt. Susp.)	1	1	1	1	1	1	1	1	1	1	1	1	1		
26	2699 3210 75 01	Rubber Cap (Torsion Bar)	4	4	4	4	4	4	4	4	4	4	4	4	4		
27	2699 3210 92 01	Spacer (Torsion Bar)	2	2	2	2	2	2	2	2	2	2	2	2	2		
28	2699 3210 32 01	Anchor Bolt (Torsion Bar)	2	2	2	2	2	2	2	2	2	2	2	2	2		
29	2704 3210 92 01	Washer	4	4	4	4	4	4	4	4	4	4	4	4	4		
30	2699 3210 92 04	Spherical Washer (Frt. Susp.T/bar)	2	2	2	2	2	2	2	2	2	2	2	2	2		
31	2699 3230 01 05	Assy. Front Shock Absorber	2	2	2	2	2	2	2	2	2	2	2	2	2		
34	2654 3211 01 28	Assy. Rubber Stopper (Bump)	2	2	2	2	2	2	2	2	2	2	2	2	2		
37	2699 3210 51 02	Mounting Bracket (Torsion Bar)	1	1	1	1	1	1	1	1	1	1	1	1	1		
38	2699 3210 82 34	Cover (Torsion Bar)	2	2	2	2	2	2	2	2	2	2	2	2	2		

TABLE 32.2

FRONT ANTI-ROLL BAR

GROUP 32

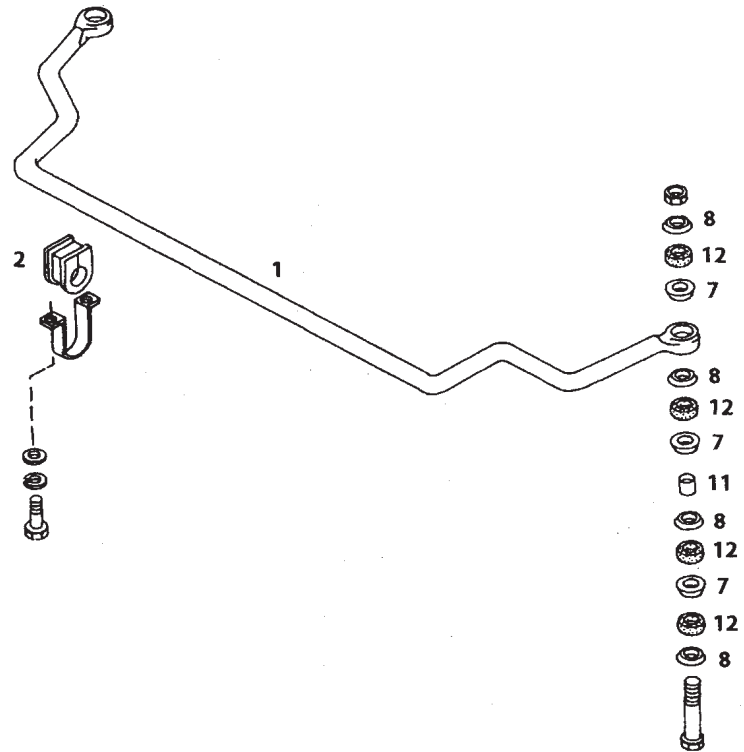
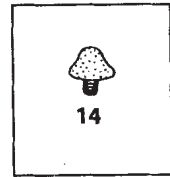


TABLE 32.2

FRONT ANTI-ROLL BAR

GROUP 32

FIG. NO.	PART NUMBER	DESCRIPTION	SINGLE CAB						CREW CAB						R/L	REMARKS	
			4 x 2				4 x 4		4 x 2				4 x 4				
			AC HD 1	AC HD 2	AC HD 3	HD 4	HD 5	AC HD 6	AC HD 7	AC HD 8	HD 9	AC HD 10	AC HD 11	AC HD 12			AC HD 13
--	2699 3280 01 06	FRONT ANTI-ROLL BAR Assy. Front Anti-Roll Bar Complete	1	1	1	1	1	1	1	1	1	1	1	1	1		
1	2699 3280 79 04	Front Anti-Roll Bar	1	1	1	1	1	1	1	1	1	1	1	1	1		
2	2699 3280 77 01	Bearing Block (Anti-Roll Bar)	2	2	2	2	2	2	2	2	2	2	2	2	2		
7	2696 3280 82 04	Cup (Front Anti-Roll Bar)	6	6	6	6	6	6	6	6	6	6	6	6	6		
8	2696 3280 82 05	Cup (Front Anti-Roll Bar)	4	4	4	4	4	4	4	4	4	4	4	4	4		
11	2699 3280 01 03	Assy. Sleever (Front Anti-Roll Bar)	2	2	2	2	2	2	2	2	2	2	2	2	2		
12	2696 3280 75 02	Rubber Bush (Front Anti-Roll Bar)	8	8	8	8	8	8	8	8	8	8	8	8	8		
14	2699 3210 77 01	Rebound Stop	2	2	2	2	2	2	2	2	2	2	2	2	2		

TABLE 32.3

REAR SPRING

GROUP 32

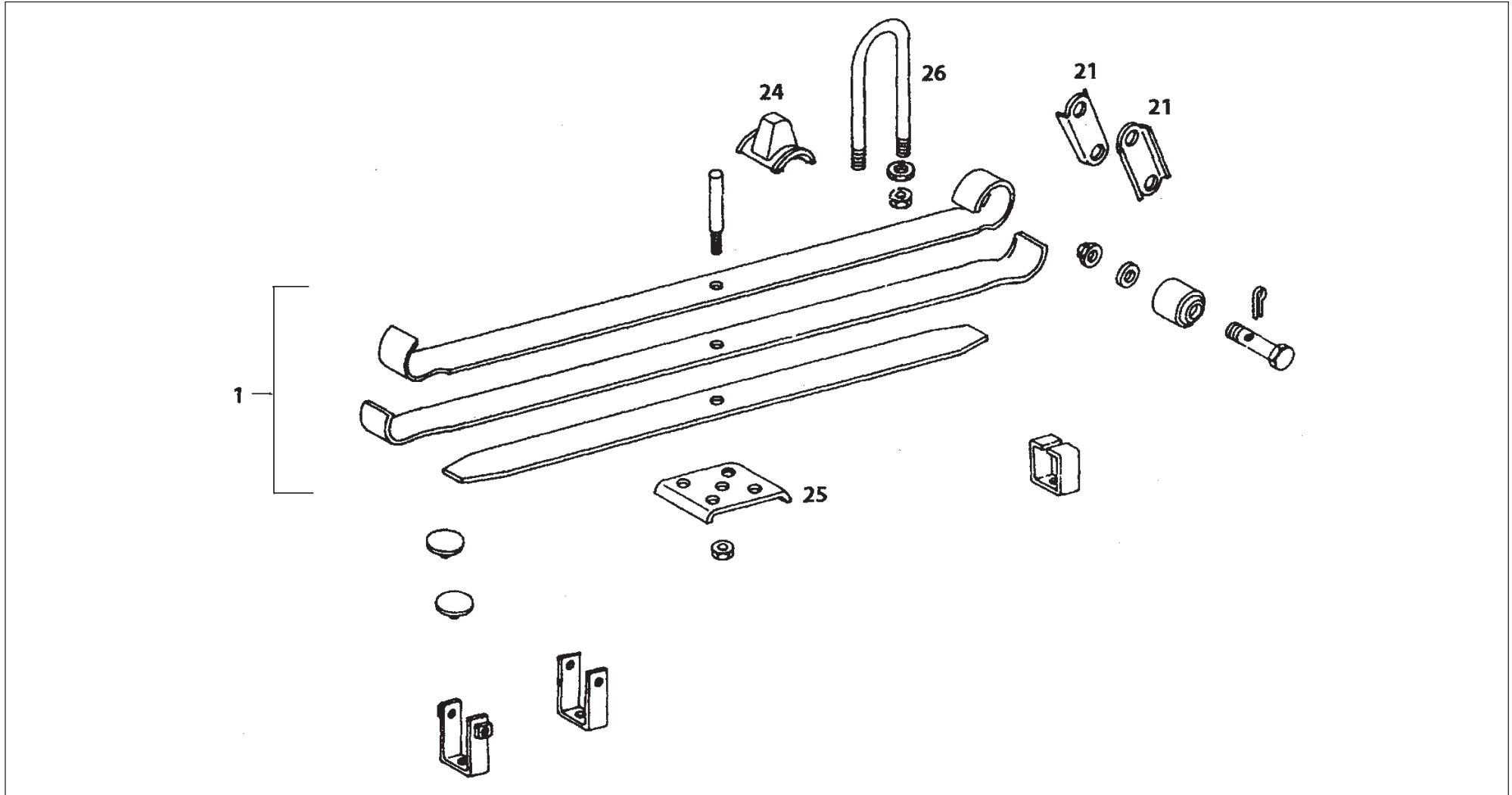


TABLE 32.3

REAR SPRING

GROUP 32

FIG. NO.	PART NUMBER	DESCRIPTION	SINGLE CAB							CREW CAB							R/L	REMARKS	
			4 x 2				4 x 4			4 x 2				4 x 4					
			AC HD 1	AC HD 2	AC HD 3	HD 4	HD 5	AC HD 6	AC HD 7	AC HD 8	HD 9	AC HD 10	AC HD 11	AC HD 12	AC HD 13	HD 14			
		REAR SPRING																	
1	2654 3240 01 45	Assy. Rear Spring	1	1	1	1	1	1	1	1	1	1	1	1	1	1	1		
21	2654 3240 01 16	Assy. Shackle (Rear Spring)	4	4	4	4	4	4	4	4	4	4	4	4	4	4	4		
24	2654 3250 01 01	Assy. Rear Axle Stopper	2	2	2	2	2	2	2	2	2	2	2	2	2	2	2		
25	2698 3240 01 43	Assy. Guide Plate LH	1	1	1	1	1	1	1	1	1	1	1	1	1	1	1		
25	2698 3240 01 44	Assy. Guide Plate RH	1	1	1	1	1	1	1	1	1	1	1	1	1	1	1		
26	2654 3250 42 05	"U" Clamp (Rear Spring)	4	4	4	4	4	4	4	4	4	4	4	4	4	4	4		

TABLE 32.4

REAR SHOCK ABSORBER

GROUP 32

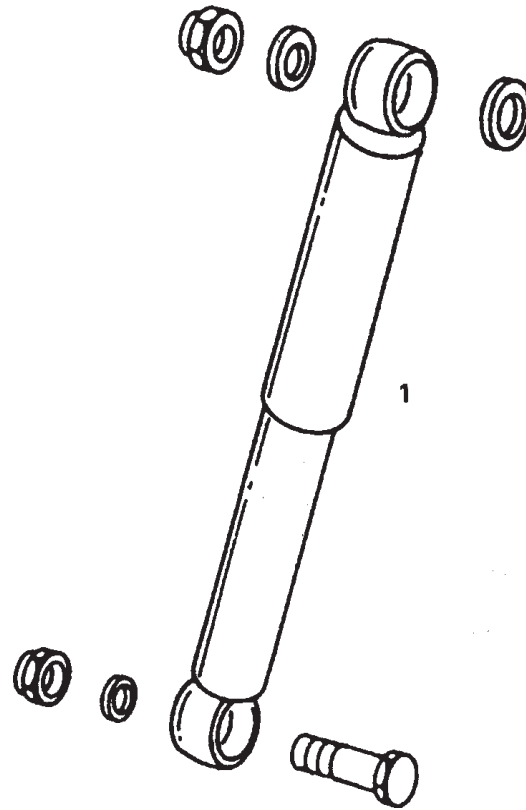


TABLE 32.4

REAR SHOCK ABSORBER

GROUP 32

FIG. NO.	PART NUMBER	DESCRIPTION	SINGLE CAB						CREW CAB						R/L	REMARKS	
			4 x 2				4 x 4		4 x 2				4 x 4				
			AC HD 1	AC HD 2	AC HD 3	HD 4	HD 5	AC HD 6	AC HD 7	AC HD 8	HD 9	AC HD 10	AC HD 11	AC HD 12			AC HD 13
1	2698 3260 01 18	REAR SHOCK ABSORBER Assy. Rear Shock Absorber	2	2	2	2	2	2	2	2	2	2	2	2	2		

TABLE 33.1

FRONT AXLE (4 x 2)

GROUP 33

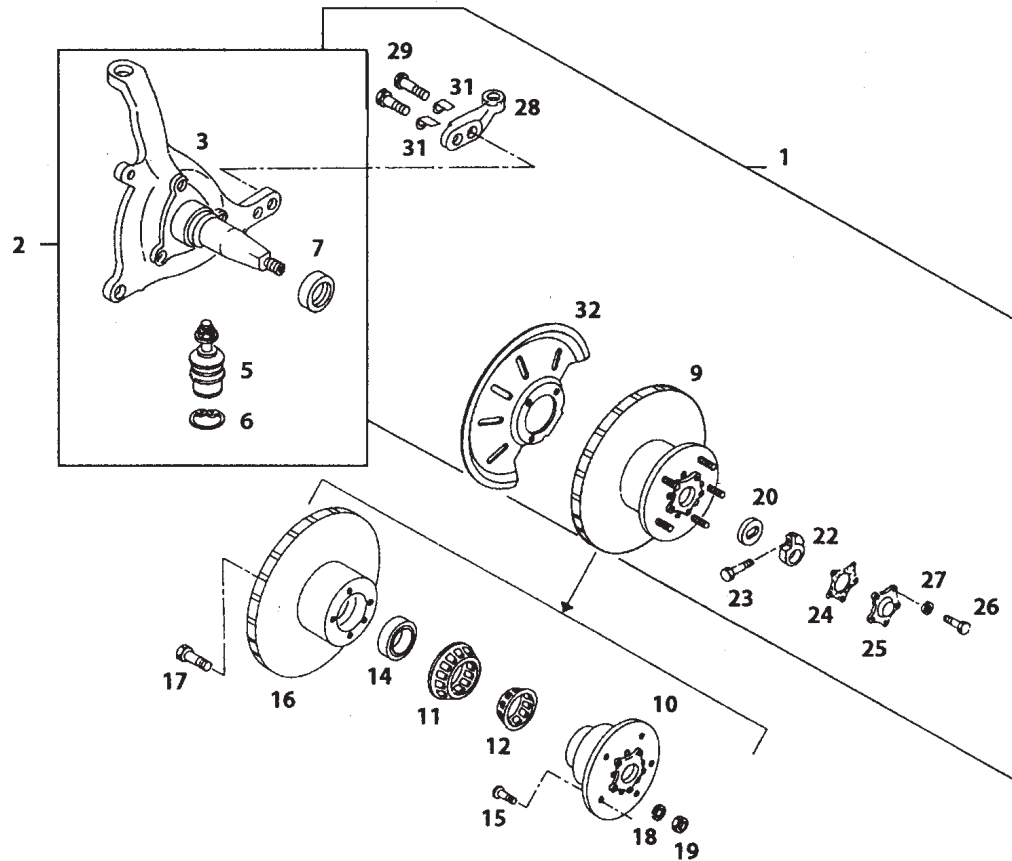


TABLE 33.1

FRONT AXLE (4 x 2)

GROUP 33

FIG. NO.	PART NUMBER	DESCRIPTION	SINGLE CAB							CREW CAB							R/L	REMARKS	
			4 x 2				4 x 4			4 x 2				4 x 4					
			AC HD 1	AC HD 2	AC HD 3	HD 4	HD 5	AC HD 6	AC HD 7	AC HD 8	HD 9	AC HD 10	AC HD 11	AC HD 12	AC HD 13	HD 14			
		FRONT AXLE (4 x 2)																	
1	2699 3300 01 01	Assy Front Axle RH	1	1	1	1						1	1	1	1				
1	2699 3300 01 02	Assy Front Axle LH	1	1	1	1						1	1	1	1				
2	2699 3320 01 01	Stub Axle With Seal Race - RH	1	1	1	1						1	1	1	1				
2	2699 3320 01 02	Stub Axle With Seal Race - LH	1	1	1	1						1	1	1	1				
3	2699 3320 51 01	Stub Axle - RH	1	1	1	1						1	1	1	1				
3	2699 3320 51 02	Stub Axle - LH	1	1	1	1						1	1	1	1				
5	2654 3320 01 04	Assy. Ball Joint Std	2	2	2	2						2	2	2	2				
6	1455 060550 4	Ext. Ciclip	2	2	2	2						2	2	2	2				
7	2654 3340 86 01	Seal Race	2	2	2	2						2	2	2	2				
9	2654 3340 01 02	Assy Hub With Brake Disc (Front)	2	2	2	2						2	2	2	2				
10	2654 3340 37 02	Hub (Front)	2	2	2	2						2	2	2	2				
11	2654 3340 31 04	Taper roller Bearing Inner	2	2	2	2						2	2	2	2				
12	2654 3340 31 03	Taper roller Bearing outer	2	2	2	2						2	2	2	2				
14	2654 3340 78 01	Oil Seal	2	2	2	2						2	2	2	2				
15	2654 4010 67 02	Wheel Mounting Bolt	10	10	10	10						10	10	10	10				
16	2654 4210 37 04	Brake Disc (Ventilated)	2	2	2	2						2	2	2	2				
17	2654 4280 32 01	Bolt (Brake Disc)	10	10	10	10						10	10	10	10				
18	1252 069805 0	Spring Washer B10	10	10	10	10						10	10	10	10				
19	1205 229601 1	Hex Nut M10	10	10	10	10						10	10	10	10				

TABLE 33.1

FRONT AXLE (4 x 2)

GROUP 33

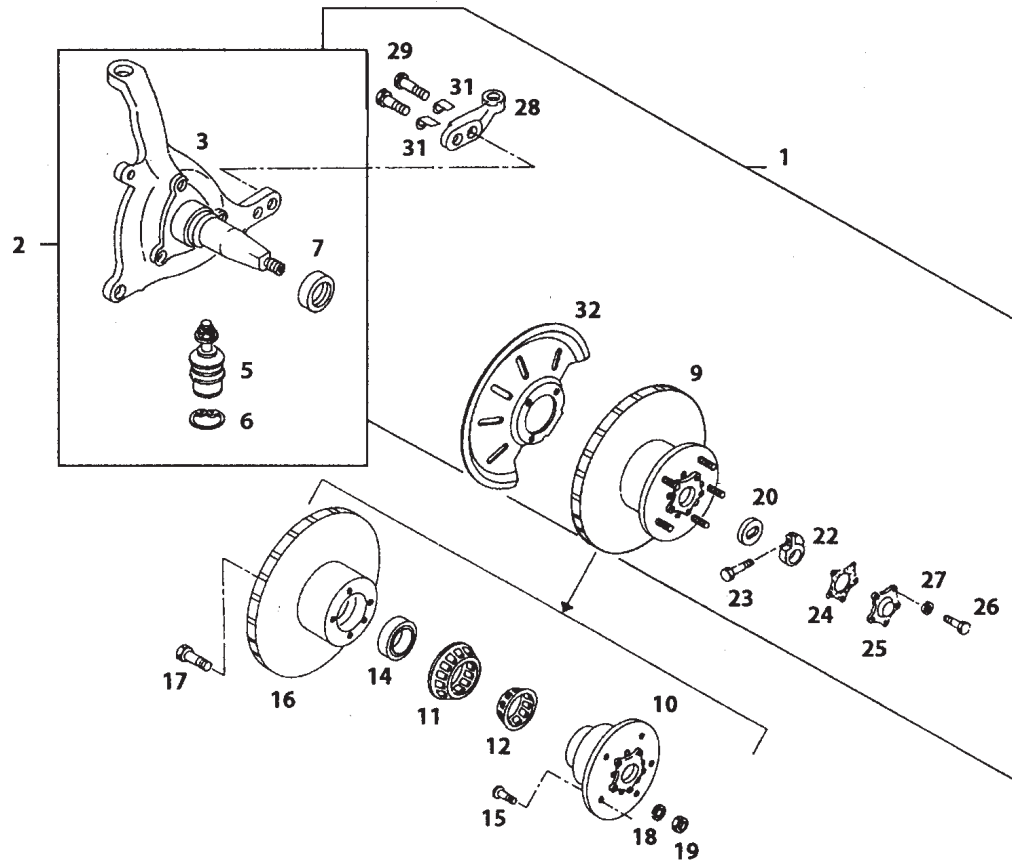


TABLE 33.1

FRONT AXLE (4 x 2)

GROUP 33

FIG. NO.	PART NUMBER	DESCRIPTION	SINGLE CAB				CREW CAB						R/L	REMARKS				
			4 x 2		4 x 4		4 x 2		4 x 4									
			AC HD 1	AC HD 2	AC HD 3	HD 4	HD 5	AC HD 6	AC HD 7	AC HD 8	HD 9	AC HD 10			AC HD 11	AC HD 12	AC HD 13	HD 14
20	2654 3340 92 01	Thrust Washer	2	2	2	2				2	2	2	2					
22	2654 3320 51 07	Split Nut	2	2	2	2				2	2	2	2					
23	1141 140820 7	Cap Screw M8x20	2	2	2	2				2	2	2	2					
24	2654 3340 77 01	Gasket	2	2	2	2				2	2	2	2					
25	2654 3340 82 02	Hub Cover	2	2	2	2				2	2	2	2					
26	1141 140612 3	Cap Screw M6x12	10	10	10	10				10	10	10	10					
27	1252 129802 1	Spring Washer 6	10	10	10	10				10	10	10	10					
28	2699 3380 51 04	Tie Rod Arm - LH	1	1	1	1				1	1	1	1					
28	2699 3380 51 03	Tie Rod Arm - RH	1	1	1	1				1	1	1	1					
29	2654 3380 32 09	Bolt (Steering Arm Mounting)	4	4	4	4				4	4	4	4					
31	1258 060130 6	Tab Washer 13	4	4	4	4				4	4	4	4					
32	2654 3320 82 02	Dust Shield	2	2	2	2				2	2	2	2					

TABLE 33.2

FRONT AXLE (4 x 4)

GROUP 33

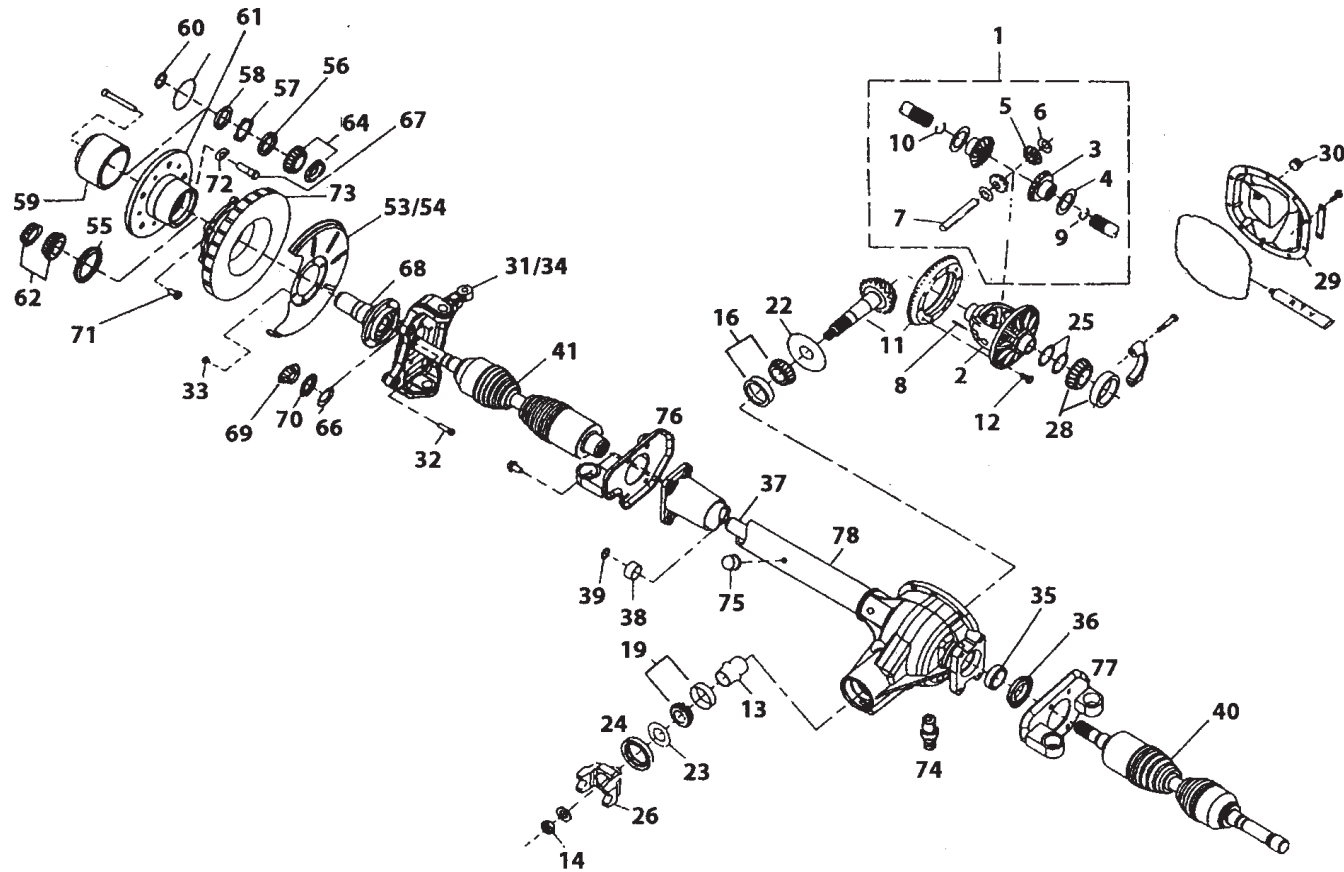


TABLE 33.2

FRONT AXLE (4 x 4)

GROUP 33

FIG. NO.	PART NUMBER	DESCRIPTION	SINGLE CAB				CREW CAB				R/L	REMARKS							
			4 x 2		4 x 4		4 x 2		4 x 4										
			AC HD 1	AC HD 2	AC HD 3	HD 4	HD 5	AC HD 6	AC HD 7	AC HD 8			HD 9	AC HD 10	AC HD 11	AC HD 12	AC HD 13	HD 14	
		FRONT AXLE (4 x 4)																	
--	2667 3305 01 65	Assy. Front Live Axle W/O Hub-4,88 (STD)					1	1	1					1	1	1			
1	2667 3350 01 01	Kit For Differential Case					1	1	1					1	1	1			
2	2667 3350 51 01	Differential Case Assy					1	1	1					1	1	1			
3	2667 3350 54 01	Differential Side Gear					2	2	2					2	2	2			
4	2667 3350 92 01	Thrust Washer - Differential Side Gear					2	2	2					2	2	2			
5	2667 3350 54 02	Differential Pinion Mate Gear					2	2	2					2	2	2			
6	2667 3350 92 02	Thrust Washer					2	2	2					2	2	2			
7	2667 3350 79 01	Differential Shaft STD					1	1	1					1	1	1			
8	2663 3530 51 05	Pin Role					1	1	1					1	1	1			
9	2667 3350 43 01	Ring Snap RH C.V. Shaft to Side Gear					1	1	1					1	1	1			
10	2667 3350 43 02	Ring Snap LH C.V. Shaft to Side Gear					1	1	1					1	1	1			
11	2667 3355 01 14	Ring Gear Pinion Kit (gear Ratio 4.88 (39/8)					1	1	1					1	1	1			
12	2667 3355 80 01	Ring Gear Screw					10	10	10					10	10	10			
13	2667 3355 86 01	Collapsible Spacer					2	2	2					2	2	2			
14	2663 3535 65 02	Nut Pinion					1	1	1					1	1	1			
16	2667 3355 01 03	Assy Bearing (Pinion Inner)					1	1	1					1	1	1			
19	2667 3355 01 04	Pinion Outer Bearing Cup /cone					1	1	1					1	1	1			
22	2667 3335 82 01	Inner Slinger Pinion Oil					1	1	1					1	1	1			
23	2667 3335 82 02	Outer Slinger Pinion Oil					1	1	1					1	1	1			

TABLE 33.2

FRONT AXLE (4 x 4)

GROUP 33

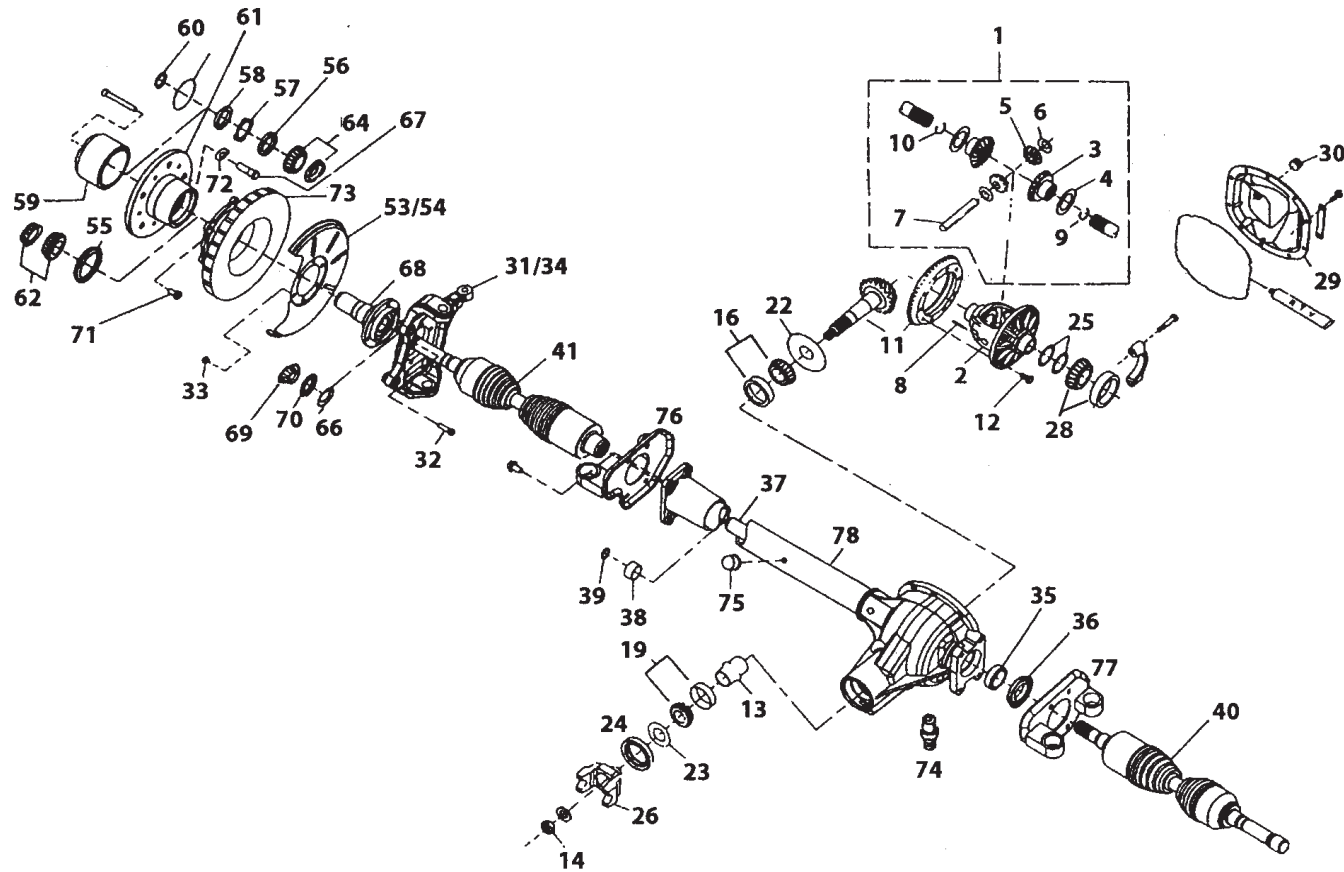


TABLE 33.2

FRONT AXLE (4 x 4)

GROUP 33

FIG. NO.	PART NUMBER	DESCRIPTION	SINGLE CAB						CREW CAB						R/L	REMARKS		
			4 x 2			4 x 4			4 x 2			4 x 4						
			AC HD 1	AC HD 2	AC HD 3	HD 4	HD 5	AC HD 6	AC HD 7	AC HD 8	HD 9	AC HD 10	AC HD 11	AC HD 12			AC HD 13	HD 14
24	2663 3530 77 11	Oil Seal					1	1	1					1	1	1		
25	2667 3350 83 01	Shim Adj.					1	1	1					1	1	1		
26	2667 3335 01 01	Assy End Yoke (This Includes Sl.no 52 and 53)					1	1	1					1	1	1		
28	2667 3350 01 02	Differential Bearing Cup / Cone					2	2	2					2	2	2		
29	2667 3310 82 01	Cover Carrier Fin					1	1	1					1	1	1		
30	2667 3310 72 01	Filler Plug					1	1	1					1	1	1		
31	2667 3385 37 01	Knuckle Steering LH					1	1	1					1	1	1		
32	2667 3385 80 01	Bolt Hex					12	12	12					12	12	12		
33	2667 3385 65 01	Nut Lock					12	12	12					12	12	12		
34	2667 3385 37 02	Knuckle Steering RH					1	1	1					1	1	1		
35	2667 3375 31 07	Bearing Assy w/o Race					1	1	1					1	1	1		
36	2667 3375 78 04	Oil Seal					2	2	2					2	2	2		
37	2667 3375 79 02	Axle Shaft Fin					1	1	1					1	1	1		
38	2667 3375 31 06	Bearing Assy w/o Race					1	1	1					1	1	1		
39	2667 3375 43 06	Ring Snap					1	1	1					1	1	1		
40	2667 3375 01 06	Shaft And Joint Assy RH					1	1	1					1	1	1		
41	2667 3375 01 07	Shaft And Joint Asembly					1	1	1					1	1	1		
--	2667 3375 01 01	Kit for RZEPPA Boot Kit, Consisting of:-					1	1	1					1	1	1		
		Boot					1	1	1					1	1	1		
		65 Gms Grease Packet					1	1	1					1	1	1		

TABLE 33.2

FRONT AXLE (4 x 4)

GROUP 33

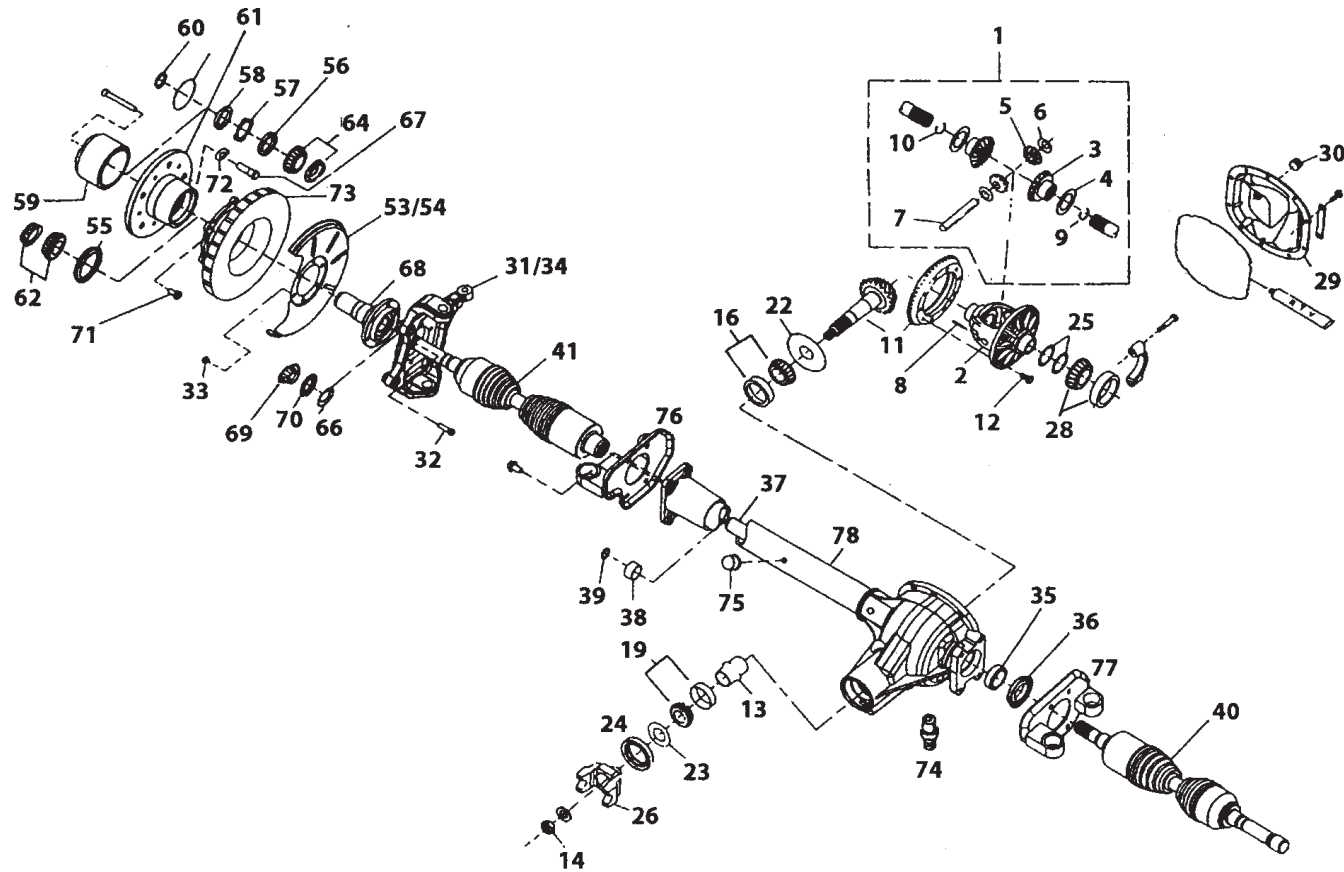


TABLE 33.2

FRONT AXLE (4 x 4)

GROUP 33

FIG. NO.	PART NUMBER	DESCRIPTION	SINGLE CAB						CREW CAB						R/L	REMARKS		
			4 x 2				4 x 4		4 x 2				4 x 4					
			AC HD 1	AC HD 2	AC HD 3	HD 4	HD 5	AC HD 6	AC HD 7	AC HD 8	HD 9	AC HD 10	AC HD 11	AC HD 12			AC HD 13	HD 14
		155 Gms Grease Packet					1	1	1					1	1	1		
		Clamp					1	1	1					1	1	1		
		Clamp					1	1	1					1	1	1		
		Snap Ring					1	1	1					1	1	1		
		Snap Ring					1	1	1					1	1	1		
		Snap Ring					1	1	1					1	1	1		
	2667 3375 01 02	Kit For Doj End Joint Boot					1	1	1					1	1	1		
		Boot					1	1	1					1	1	1		
		110 Gms Grease Packet					1	1	1					1	1	1		
		155 Gms Grease Packet					1	1	1					1	1	1		
		Clamp					1	1	1					1	1	1		
		Clamp					1	1	1					1	1	1		
		Snap Ring					1	1	1					1	1	1		
		Snap Ring					1	1	1					1	1	1		
		Snap Ring					1	1	1					1	1	1		
53	2667 3375 82 01	Shield Brake Dust RH					1	1	1					1	1	1		
54	2667 3375 82 02	Shield Brake Dust LH					1	1	1					1	1	1		
55	2667 3375 78 01	Oil Seal (For Hub)					2	2	2					2	2	2		
56	2667 3375 01 08	Nut and Pin Assy Bearing					2	2	2					2	2	2		
57	2667 3375 65 02	Lock Bearing Adj. Ring					2	2	2					2	2	2		

TABLE 33.2

FRONT AXLE (4 x 4)

GROUP 33

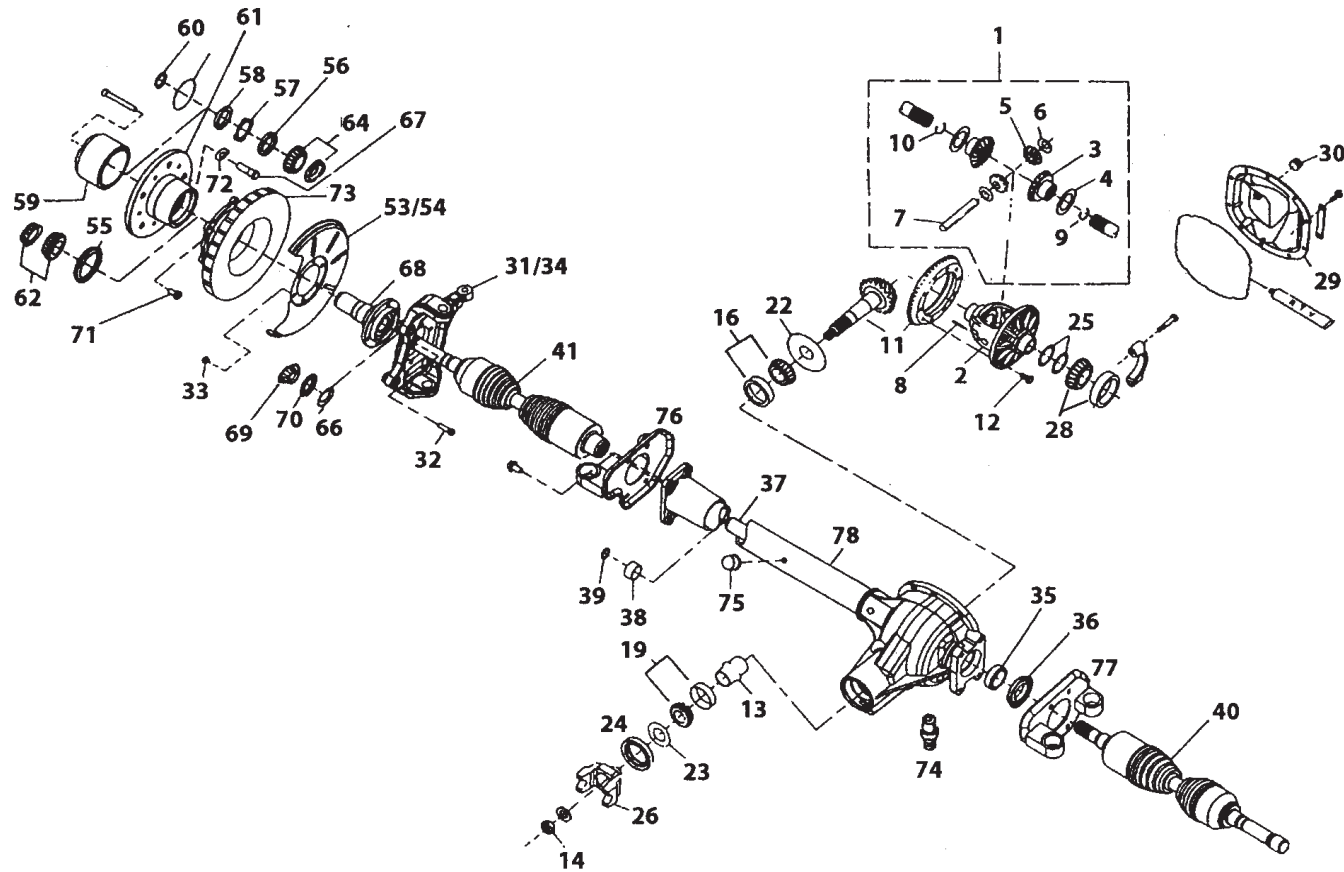


TABLE 33.2

FRONT AXLE (4 x 4)

GROUP 33

FIG. NO.	PART NUMBER	DESCRIPTION	SINGLE CAB						CREW CAB						R/L	REMARKS		
			4 x 2			4 x 4			4 x 2			4 x 4						
			AC HD 1	AC HD 2	AC HD 3	HD 4	HD 5	AC HD 6	AC HD 7	AC HD 8	HD 9	AC HD 10	AC HD 11	AC HD 12			AC HD 13	HD 14
58	2667 3375 65 01	Nut Spindle					2	2	2					2	2	2		
59	2667 3375 01 11	Hub Lock Assy.					2	2	2					2	2	2		
60	2667 3375 43 05	Snap Ring.....					2	2	2					2	2	2		
61	2667 3375 51 01	Hub Wheel Fin					2	2	2					2	2	2		
62	2667 3375 01 03	Assy Bearing (Wheel Hub Inner)					2	2	2					2	2	2		
64	2667 3375 01 04	Bearing (wheel Hub Outer)					2	2	2					2	2	2		
66	2667 3375 78 02	Oil Seal (In Spindle)					2	2	2					2	2	2		
67	2667 3375 32 01	Wheel Bolt					10	10	10					10	10	10		
68	2667 3375 79 01	Spindle Wheel Bearing					2	2	2					2	2	2		
69	2667 3375 31 05	Bearing Assy w/o Race (On Spindle)					2	2	2					2	2	2		
70	2667 3375 78 03	Oil Seal (In Spindle)					2	2	2					2	2	2		
71	2667 3375 80 01	Hex Screw					10	10	10					10	10	10		
72	2667 3375 61 01	Lock Washer					10	10	10					10	10	10		
73	2699 4210 37 06	Disc Brake (Ventilated)					2	2	2					2	2	2		
74	2667 3310 72 02	Drain Plug					1	1	1					1	1	1		
75	2667 3375 99 04	Breather					1	1	1					1	1	1		
76	2667 3315 01 09	Mounting Bracket					1	1	1					1	1	1		
77	2667 3315 01 10	Mounting Bracket LH					1	1	1					1	1	1		
78	2667 3305 01 63	Axle Housing Assy					1	1	1					1	1	1		

TABLE 33.3

HUB LOCK ASSY.

GROUP 33

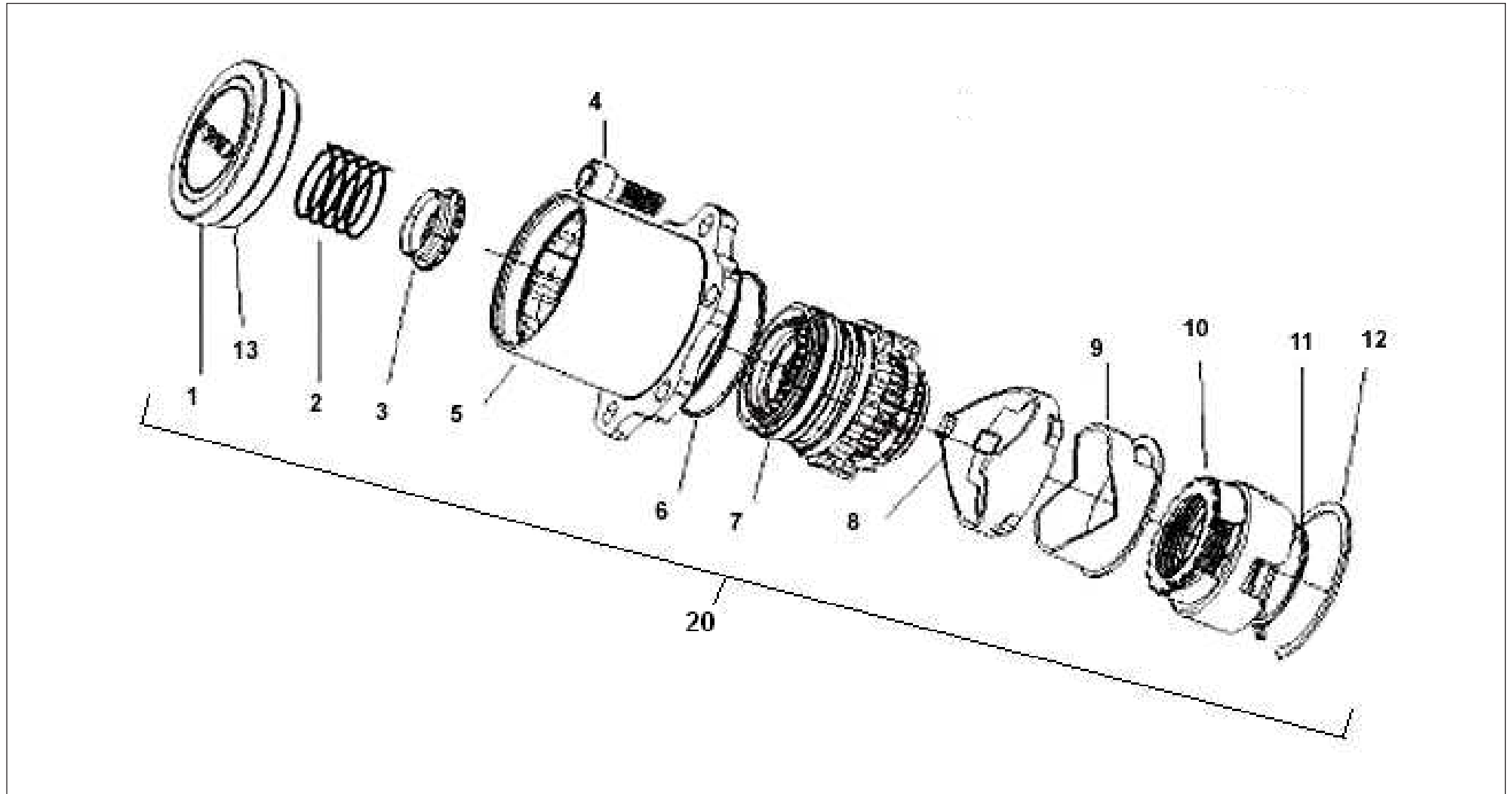


TABLE 33.3

HUB LOCK ASSY.

GROUP 33

FIG. NO.	PART NUMBER	DESCRIPTION	SINGLE CAB						CREW CAB						R/L	REMARKS		
			4 x 2				4 x 4		4 x 2				4 x 4					
			AC HD 1	AC HD 2	AC HD 3	HD 4	HD 5	AC HD 6	AC HD 7	AC HD 8	HD 9	AC HD 10	AC HD 11	AC HD 12			AC HD 13	HD 14
20	2667 3375 01 17	HUB LOCK ASSY. Service Kit Hub Lock Assy, Consisting of :					1	1	1					1	1	1		
1		End Cap With Decal plate					1	1	1					1	1	1		
2		Spring Bearing Race					1	1	1					1	1	1		
3		Assy. Bearing					1	1	1					1	1	1		
4		Bolt (M10x1.5x25 mm)					6	6	6					6	6	6		
5		Outer Clutch Housing					1	1	1					1	1	1		
6		O' Ring					1	1	1					1	1	1		
7		Assy. Cam And Follower					1	1	1					1	1	1		
8		Cage Outer					1	1	1					1	1	1		
9		Cage Inner					1	1	1					1	1	1		
10		Assy. Drag Sleeve					1	1	1					1	1	1		
11		Ring Retaining					1	1	1					1	1	1		
12		Ring Retaining					1	1	1					1	1	1		
13		O' Ring Cover					1	1	1					1	1	1		

TABLE 35.1

REAR AXLE

GROUP 35

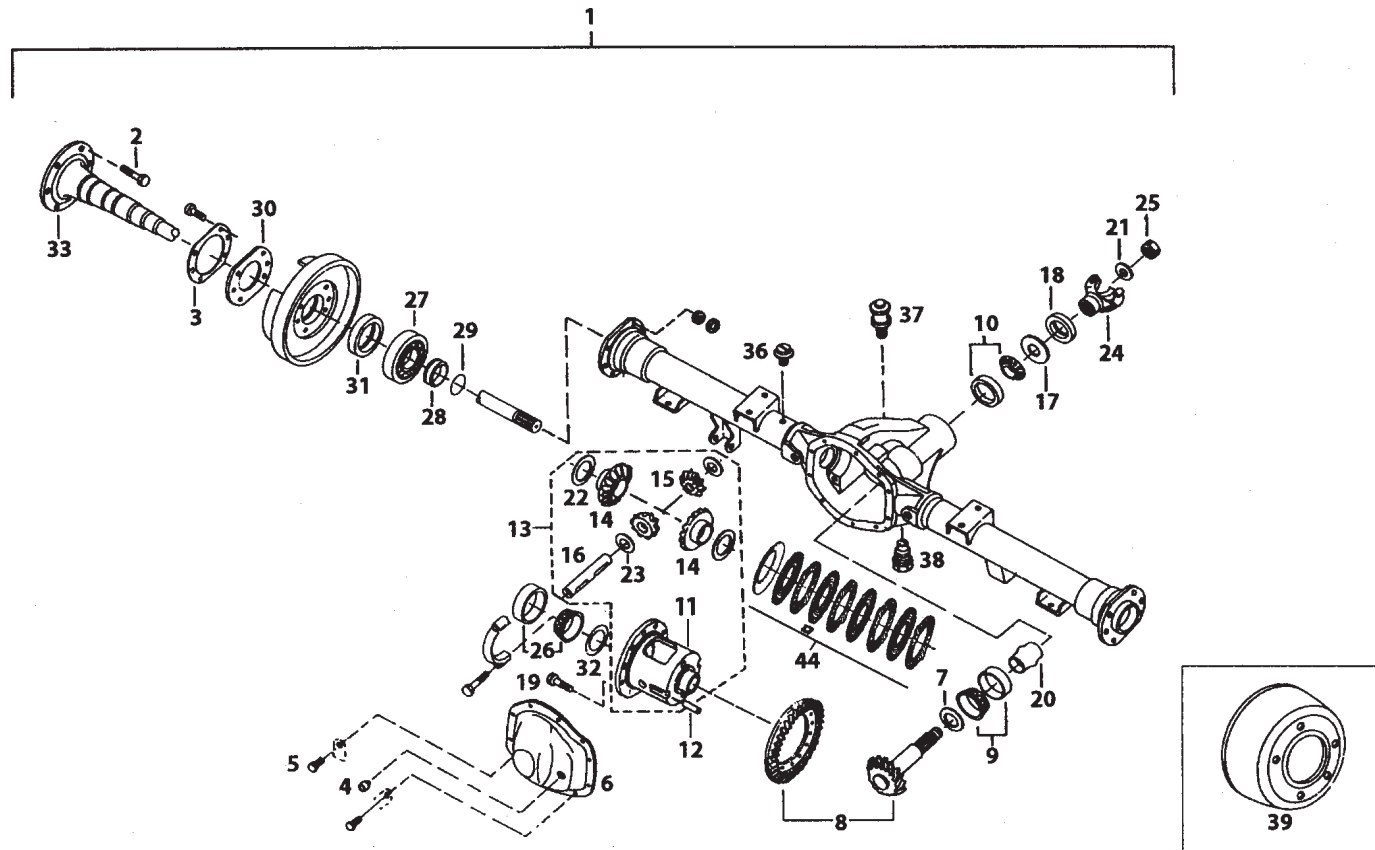


TABLE 35.1
REAR AXLE
GROUP 35

FIG. NO.	PART NUMBER	DESCRIPTION	SINGLE CAB							CREW CAB							R/L	REMARKS	
			4 x 2				4 x 4			4 x 2				4 x 4					
			AC HD 1	AC HD 2	AC HD 3	HD 4	HD 5	AC HD 6	AC HD 7	AC HD 8	HD 9	AC HD 10	AC HD 11	AC HD 12	AC HD 13	HD 14			
		REAR AXLE																	
--	2663 3500 02 09	Assy. Dana Rear Axle complete 44/9 W/o sh abs	1	1	1	1	1	1	1	1	1	1	1	1	1	1			With Remote Breather
--	2663 3500 01 55	Assy. Dana Rear Axle complete 41/9 W/o sh abs															1		
1	2663 3510 01 57	Assy. Dana Rear Axle Housing With Tube	1	1	1	1	1	1	1	1	1	1	1	1	1	1			
2	2663 3510 32 02	Bolt Wheel RH	10	10	10	10	10	10	10	10	10	10	10	10	10	10			
3	2663 3510 32 03	Retainer Bolt - 46912	2	2	2	2	2	2	2	2	2	2	2	2	2	2			
4	2663 3510 72 02	Filler Plug	1	1	1	1	1	1	1	1	1	1	1	1	1	1			
5	2663 3510 80 01	Screw Flanged Head 34279	10	10	10	10	10	10	10	10	10	10	10	10	10	10			
6	2663 3510 82 03	Cover Carrier	1	1	1	1	1	1	1	1	1	1	1	1	1	1			
7	2663 3510 83 01	Shim Adj.	AR	AR	AR	AR	AR	AR	AR	AR	AR	AR	AR	AR	AR	AR			
8	2663 3530 01 39	Gear Hypoid Drive Finish / Pinion Set 44/9	1	1	1	1	1	1	1	1	1	1	1	1	1	1			
8	2663 3530 01 34	Gear Hypoid Drive Finish / Pinion Set 41/9															1		
9	2663 3530 31 04	Pinion Inner Bearing	1	1	1	1	1	1	1	1	1	1	1	1	1	1			
10	2663 3530 31 05	Bearing Cup / Cone Roller - 550213 / 5501	1	1	1	1	1	1	1	1	1	1	1	1	1	1			
11	2663 3530 51 04	Standard Differential Case	1	1	1	1	1	1	1	1	1	1	1	1	1	1			
12	2663 3530 51 05	Pin Role	1	1	1	1	1	1	1	1	1	1	1	1	1	1			
13	2663 3530 01 33	Assy Case Diff.	1	1	1	1	1	1	1	1	1	1	1	1	1	1			
16	2663 3530 54 27	Shaft Diff. STD - 17878	1	1	1	1	1	1	1	1	1	1	1	1	1	1			
17	2663 3530 77 10	Slinger - Pinion Oil Seal (Outer) - 13575	1	1	1	1	1	1	1	1	1	1	1	1	1	1			
18	2663 3530 77 11	Pinion Oil Seal	1	1	1	1	1	1	1	1	1	1	1	1	1	1			

TABLE 35.1

REAR AXLE

GROUP 35

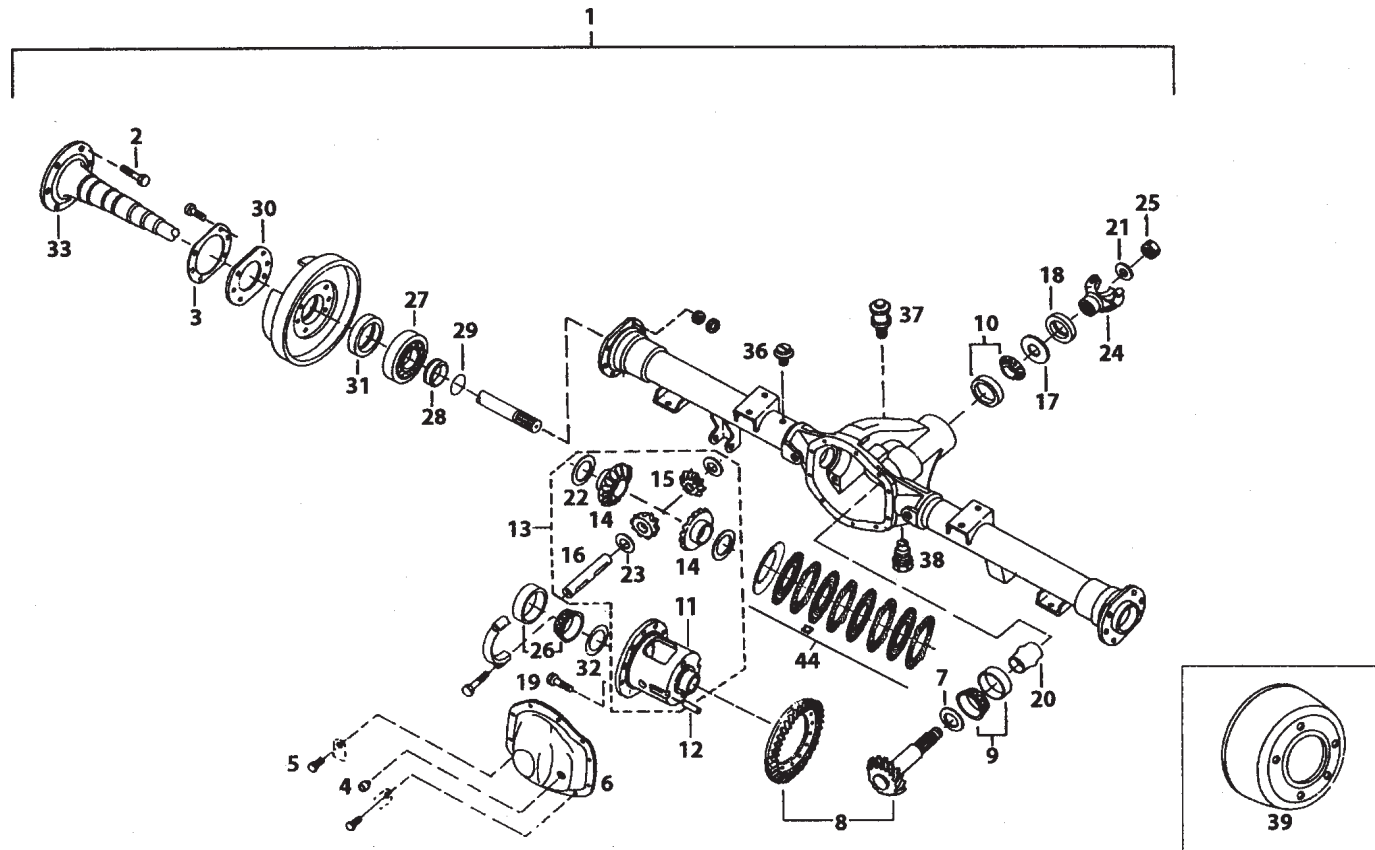


TABLE 35.1
REAR AXLE
GROUP 35

FIG. NO.	PART NUMBER	DESCRIPTION	SINGLE CAB							CREW CAB							R/L	REMARKS
			4 x 2				4 x 4			4 x 2				4 x 4				
			AC HD 1	AC HD 2	AC HD 3	HD 4	HD 5	AC HD 6	AC HD 7	AC HD 8	HD 9	AC HD 10	AC HD 11	AC HD 12	AC HD 13	HD 14		
19	2663 3530 80 01	Screw Hex. - 41221	10	10	10	10	10	10	10	10	10	10	10	10	10	10		
20	2663 3530 86 01	Collapsable Spacer	1	1	1	1	1	1	1	1	1	1	1	1	1	1		
21	2663 3530 86 09	Washer Flat - 30186	1	1	1	1	1	1	1	1	1	1	1	1	1	1		
22	2663 3531 92 75	Thrust Washer - Side Gear	2	2	2	2	2	2	2	2	2	2	2	2	2	2		
23	2663 3531 92 76	Thrust Washer Diff. Pinion - 13338 3	2	2	2	2	2	2	2	2	2	2	2	2	2	2		
24	2663 3535 50 03	Assy End Yoke	1	1	1	1	1	1	1	1	1	1	1	1	1	1		
25	2663 3535 65 02	Nut Pinion	1	1	1	1	1	1	1	1	1	1	1	1	1	1		
26	2663 3570 31 06	Bearing Cup/cone (Diff Case)	2	2	2	2	2	2	2	2	2	2	2	2	2	2		
27	2663 3570 31 07	Bearing Assy Taper Roller - 565904	2	2	2	2	2	2	2	2	2	2	2	2	2	2		
28	2663 3570 31 08	Retainer Wheel Brg	2	2	2	2	2	2	2	2	2	2	2	2	2	2		
29	2663 3570 43 02	Snap Ring (Axle Shaft)	2	2	2	2	2	2	2	2	2	2	2	2	2	2		
30	2663 3570 77 08	Retainer Oil Seal - 46975	2	2	2	2	2	2	2	2	2	2	2	2	2	2		
31	2663 3570 77 09	Seal Oil - Axle Shaft	2	2	2	2	2	2	2	2	2	2	2	2	2	2		
33	2663 3570 79 02	Shaft Axle Flange	2	2	2	2	2	2	2	2	2	2	2	2	2	2		
36	2574 3315 01 02	Breather	1	1	1	1	1	1	1	1	1	1	1	1	1	1		
37	2667 3310 72 01	Filler Plug	1	1	1	1	1	1	1	1	1	1	1	1	1	1		
38	2667 3310 72 02	Drain Plug	1	1	1	1	1	1	1	1	1	1	1	1	1	1		
39	2699 4230 37 04	Brake Drum	2	2	2	2	2	2	2	2	2	2	2	2	2	2		
-	2654 4280 01 28	Assy. Hose (For Remote Breather)			1				1	1				1				

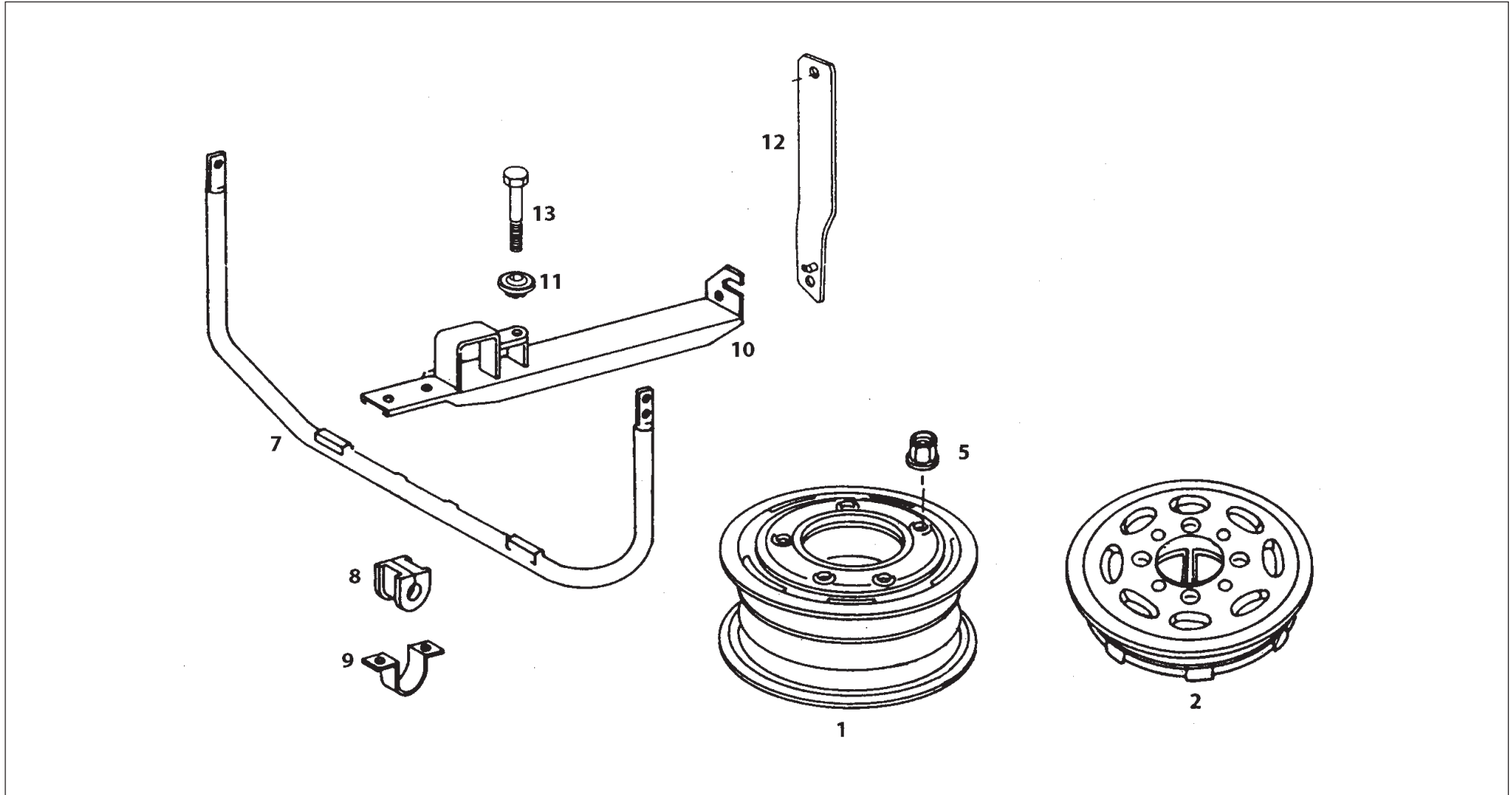


TABLE 40.1

WHEEL RIM AND SPARE WHEEL CARRIER

GROUP 40

FIG. NO.	PART NUMBER	DESCRIPTION	SINGLE CAB						CREW CAB						R/L	REMARKS		
			4 x 2			4 x 4			4 x 2			4 x 4						
			AC HD 1	AC HD 2	AC HD 3	HD 4	HD 5	AC HD 6	AC HD 7	AC HD 8	HD 9	AC HD 10	AC HD 11	AC HD 12			AC HD 13	HD 14
		WHEEL RIM AND SPARE WHEEL CARRIER																
1	2654 4010 01 49	Assy. Wheel Rim 5.5 J x 16 (Silver)	5							5			5					
1	2698 4010 01 20	Assy. Wheel Rim 5.5 J x 16		5	5	5	5			5	5	5		5	5	5	5	
2	2653 4010 01 10	Assy. Wheel Rim Cover		4	4	4	4			4	4	4		4	4	4	4	
2	2827 4010 01 02	Assy. Wheel Rim Cover								1	1	1	1	1	1	1	1	R
5	2654 4010 65 01	Wheel Nut	20	20	20	20	20	20	20	20	20	20	20	20	20	20	20	
7	2653 4030 01 07	Assy. Tube (for Spare Wheel Carrier)	1	1	1	1	1	1	1	1	1	1	1	1	1	1	1	
8	2654 3280 77 06	Rubber Bush (Front Arb Top) (With Slit)	1	1	1	1	1	1	1	1	1	1	1	1	1	1	1	
9	2654 4030 82 45	Clamp	1	1	1	1	1	1	1	1	1	1	1	1	1	1	1	
10	2653 4030 01 08	Assy Support (Spare Wheel Mtg.)	1	1	1	1	1	1	1	1	1	1	1	1	1	1	1	
11	2654 4030 63 01	Plastic Bush (For Spare Wheel Carrier)	1	1	1	1	1	1	1	1	1	1	1	1	1	1	1	
12	2653 4030 01 06	Assy Clamp	1	1	1	1	1	1	1	1	1	1	1	1	1	1	1	
13	2651 4270 67 07	Pin	1	1	1	1	1	1	1	1	1	1	1	1	1	1	1	

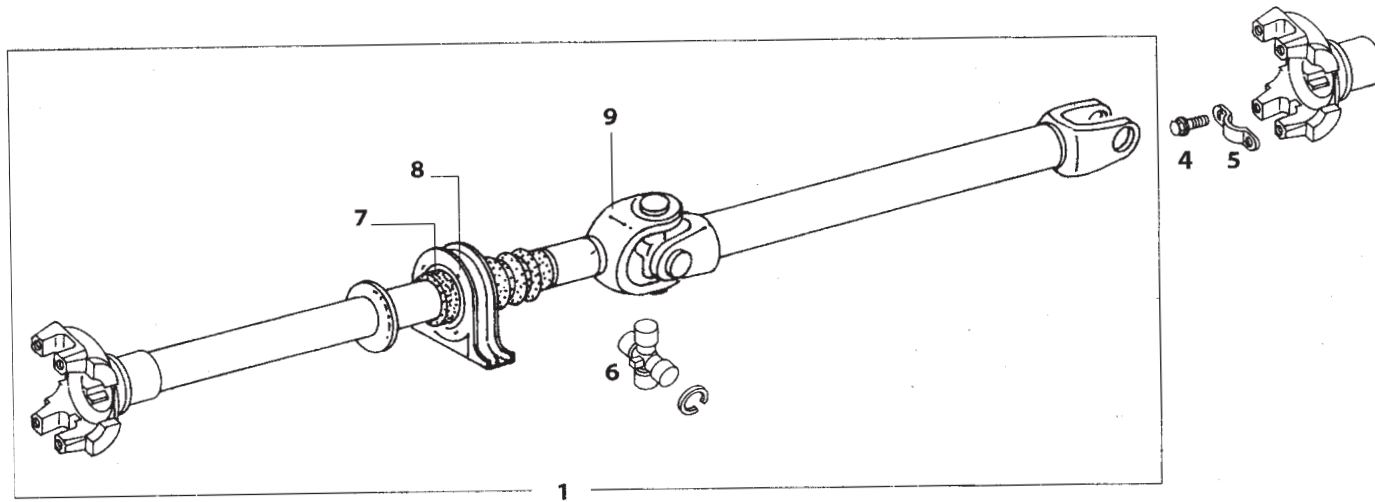


TABLE 41.1

PROPELLER SHAFT (4 x 2)

GROUP 41

FIG. NO.	PART NUMBER	DESCRIPTION	SINGLE CAB				CREW CAB				R/L	REMARKS					
			4 x 2		4 x 4		4 x 2		4 x 4								
			AC HD 1	AC HD 2	AC HD 3	HD 4	HD 5	AC HD 6	AC HD 7	AC HD 8			HD 9	AC HD 10	AC HD 11	AC HD 12	AC HD 13
		PROPELLER SHAFT (4 x 2)															
1	2826 4100 01 02	Assy. Propeller Shaft (Monotron) 28 WB, 4 X 2	1	1	1	1											
1	2721 4100 01 03	Assy. Propeller Shaft (Monotron) 31 WB, 4 X 2			1	1				1	1	1	1				
	2654 4110 01 04	Bearing Strap & Bolt Kit Consists of :	2	2	2	2				2	2	2	2				
5		Bearing Strap	4	4	4	4				4	4	4	4				
4		Cap Screw	8	8	8	8				8	8	8	8				
6	2698 4110 01 01	Assy UJ Kit	2	2	2	2				2	2	2	2				
7	2698 4111 77 01	Center Bearing Rubber	1	1	1	1				1	1	1	1				
8	2698 4222 82 03	Center Bearing Bracket	1	1	1	1				1	1	1	1				
9	2698 4111 01 18	Slip Yoke	1	1	1	1				1	1	1	1				
---	265441100112	U J Cross Kit	1	1	1	1				1	1	1	1				
---	265441100113	Slip Yoke kit	1	1	1	1				1	1	1	1				

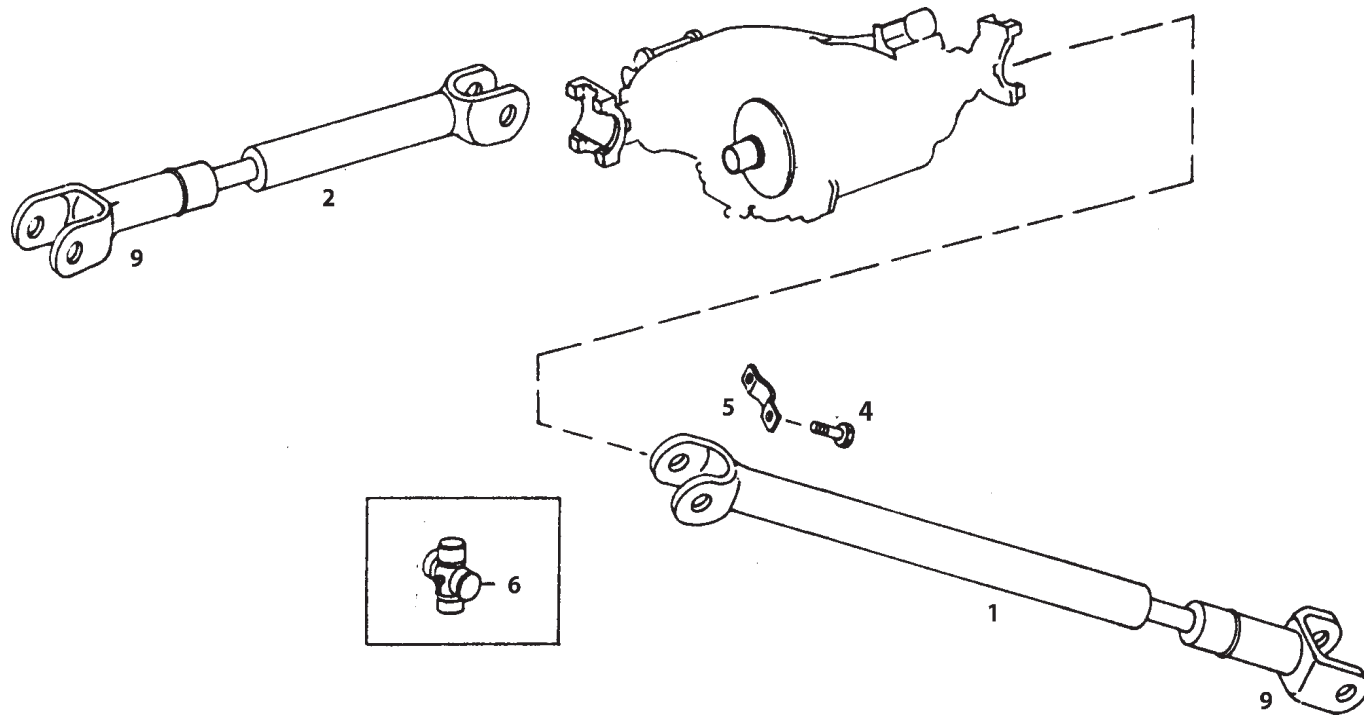


TABLE 41.2

PROPELLER SHAFT (4 x 4)

GROUP 41

FIG. NO.	PART NUMBER	DESCRIPTION	SINGLE CAB						CREW CAB						R/L	REMARKS	
			4 x 2				4 x 4		4 x 2				4 x 4				
			AC HD 1	AC HD 2	AC HD 3	HD 4	HD 5	AC HD 6	AC HD 7	AC HD 8	HD 9	AC HD 10	AC HD 11	AC HD 12			AC HD 13
		PROPELLER SHAFT (4 x 4)															
1	2653 4100 01 01	Assy. Propeller Shaft (Monotron) 28 WB					1	1	1								
1	2721 4100 01 01	Assy. Propeller Shaft (Monotron) 31 WB										1	1	1			
2	2660 4111 01 01	Assy. Propeller Shaft (Transfer Case To Front Axle)					1	1	1			1	1	1			
	2654 4110 01 04	Bearing Strap & Bolt Kit Consists of :					4	4	4			4	4	4			
5		Bearing Strap					8	8	8			8	8	8			
4		Cap Screw					16	16	16			16	16	16			
6	2698 4110 01 01	Assy UJ Kit					4	4	4			4	4	4			
9	2698 4111 01 18	Slip Yoke					2	2	2			2	2	2			

TABLE 42.1

FRONT WHEEL (DISC) BRAKE (BRAKES INDIA)

GROUP 42

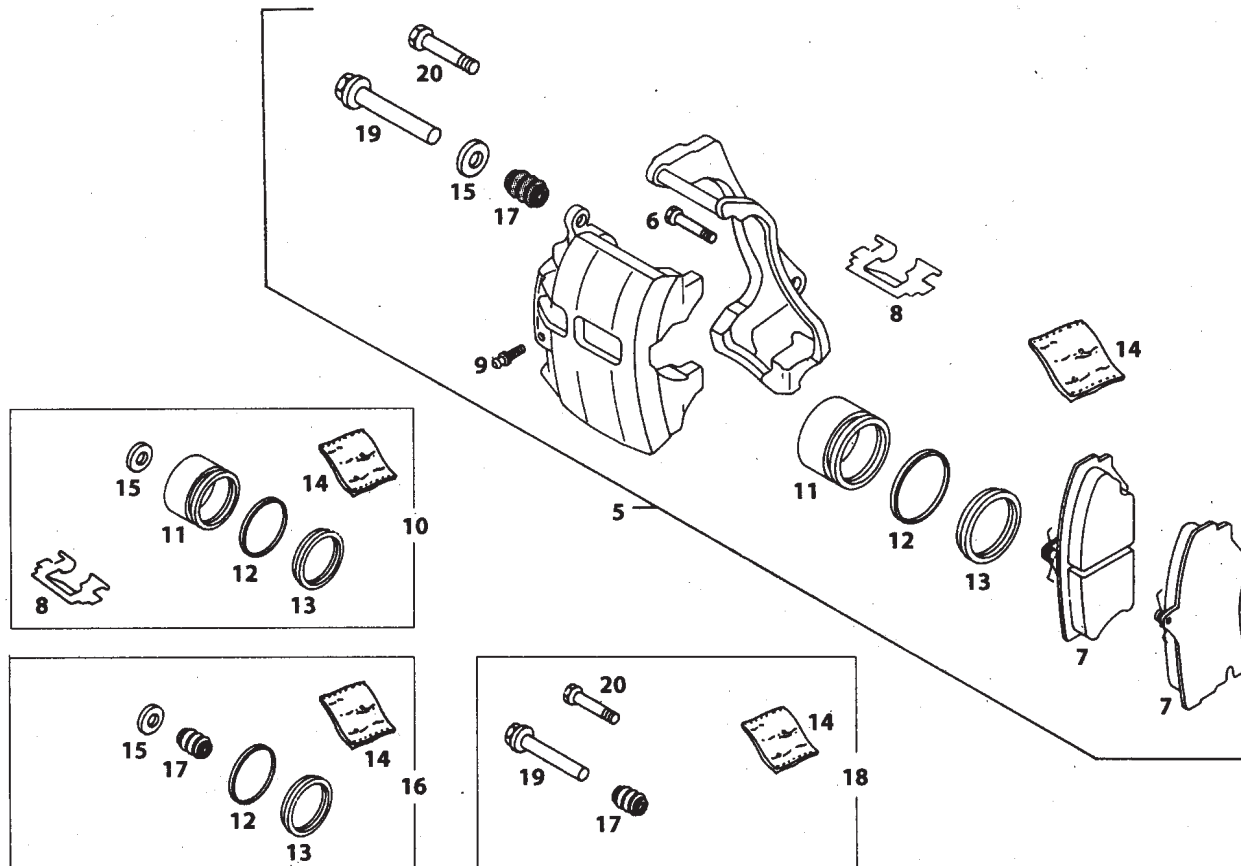


TABLE 42.1

FRONT WHEEL (DISC) BRAKE (BRAKES INDIA)

GROUP 42

FIG. NO.	PART NUMBER	DESCRIPTION	SINGLE CAB						CREW CAB						R/L	REMARKS		
			4 x 2				4 x 4		4 x 2				4 x 4					
			AC HD 1	AC HD 2	AC HD 3	HD 4	HD 5	AC HD 6	AC HD 7	AC HD 8	HD 9	AC HD 10	AC HD 11	AC HD 12			AC HD 13	HD 14
		FRONT WHEEL (DISC) BRAKE (BRAKES INDIA)																
5	2654 4210 01 70	Assy. Caliper Brake RH	1	1	1	1	1	1	1	1	1	1	1	1	1	1		
5	2654 4210 01 62	Assy. Caliper Brake LH	1	1	1	1	1	1	1	1	1	1	1	1	1	1		
6	1132 409612 6	Hex. Screw M 12x1.25x32	4	4	4	4	4	4	4	4	4	4	4	4	4	4		
7	2654 4210 01 11	Assy. Pad	4	4	4	4	4	4	4	4	4	4	4	4	4	4		
8	2654 4210 82 02	Clip	4	4	4	4	4	4	4	4	4	4	4	4	4	4		
9	2651 2910 80 01	Bleeder Screw	2	2	2	2	2	2	2	2	2	2	2	2	2	2		
		REPAIR KITS																
10	2654 4210 01 08	Kit Caliper (with Piston) Consisting of :	1	1	1	1	1	1	1	1	1	1	1	1	1	1		
11		Piston	1	1	1	1	1	1	1	1	1	1	1	1	1	1		
12		Sealing Ring	1	1	1	1	1	1	1	1	1	1	1	1	1	1		
13		Boot (Piston)	1	1	1	1	1	1	1	1	1	1	1	1	1	1		
14		Grease Sachet	1	1	1	1	1	1	1	1	1	1	1	1	1	1		
8		Clip	2	2	2	2	2	2	2	2	2	2	2	2	2	2		
15		Gasket	2	2	2	2	2	2	2	2	2	2	2	2	2	2		
16	2654 4210 01 09	Kit Caliper w/o Piston Consisting of :	1	1	1	1	1	1	1	1	1	1	1	1	1	1		
12		Sealing Ring	1	1	1	1	1	1	1	1	1	1	1	1	1	1		
13		Boot (Piston)	1	1	1	1	1	1	1	1	1	1	1	1	1	1		
17		Boot (Sliding Pin)	2	2	2	2	2	2	2	2	2	2	2	2	2	2		
14		Grease Sachet	1	1	1	1	1	1	1	1	1	1	1	1	1	1		

TABLE 42.1

FRONT WHEEL (DISC) BRAKE (BRAKES INDIA)

GROUP 42

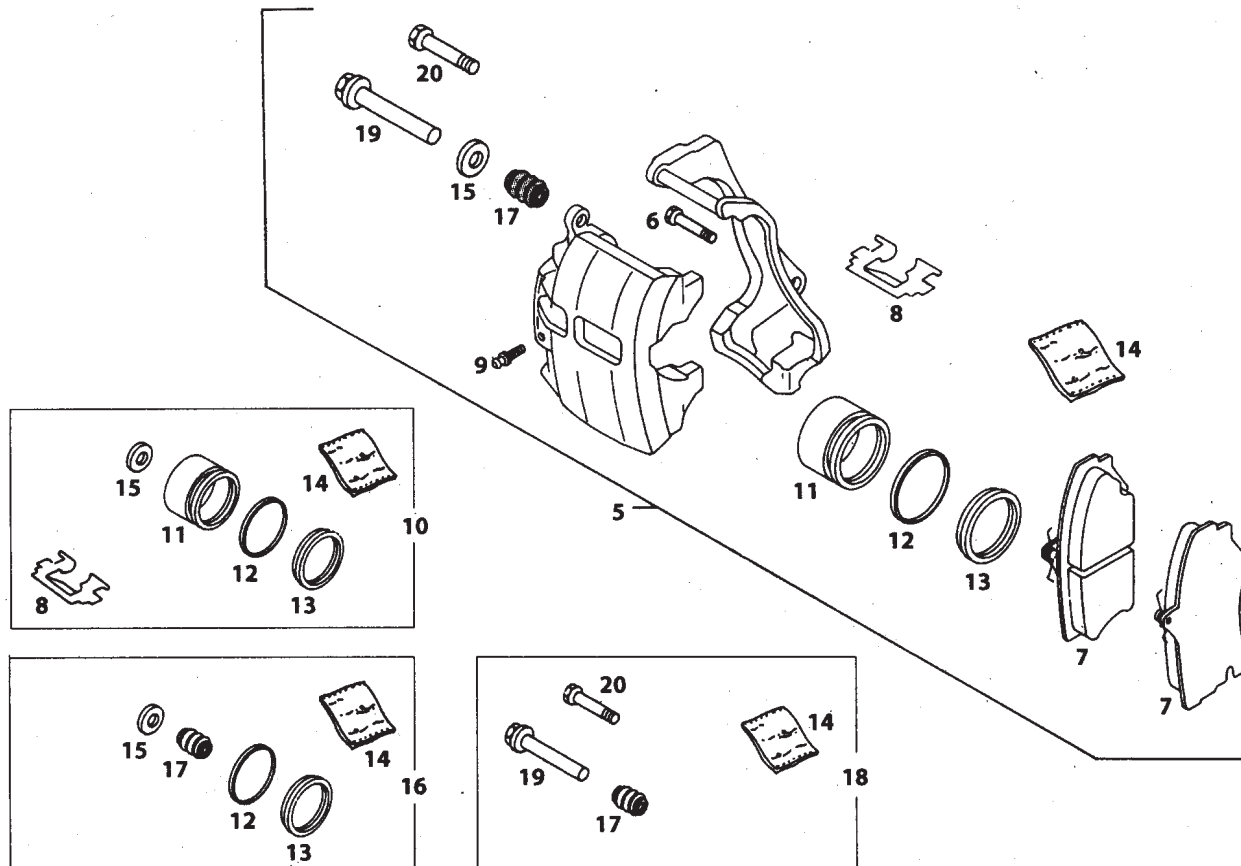


TABLE 42.1

FRONT WHEEL (DISC) BRAKE (BRAKES INDIA)

GROUP 42

FIG. NO.	PART NUMBER	DESCRIPTION	SINGLE CAB						CREW CAB						R/L	REMARKS
			4 x 2				4 x 4		4 x 2				4 x 4			
			AC HD 1	AC HD 2	AC HD 3	HD 4	HD 5	AC HD 6	AC HD 7	AC HD 8	HD 9	AC HD 10	AC HD 11	AC HD 12		
15	2654 4210 01 10	Gasket	2	2	2	2	2	2	2	2	2	2	2	2	2	
18		Kit Sliding Pin Consisting of :	1	1	1	1	1	1	1	1	1	1	1	1	1	
19		Sliding Pin	2	2	2	2	2	2	2	2	2	2	2	2	2	
17		Boot (Sliding Pin)	2	2	2	2	2	2	2	2	2	2	2	2	2	
20		Bolt (Sliding Pin)	2	2	2	2	2	2	2	2	2	2	2	2	2	
14		Grease Sachet	1	1	1	1	1	1	1	1	1	1	1	1	1	

TABLE 42.2

REAR WHEEL BRAKE (BRAKES INDIA)

GROUP 42

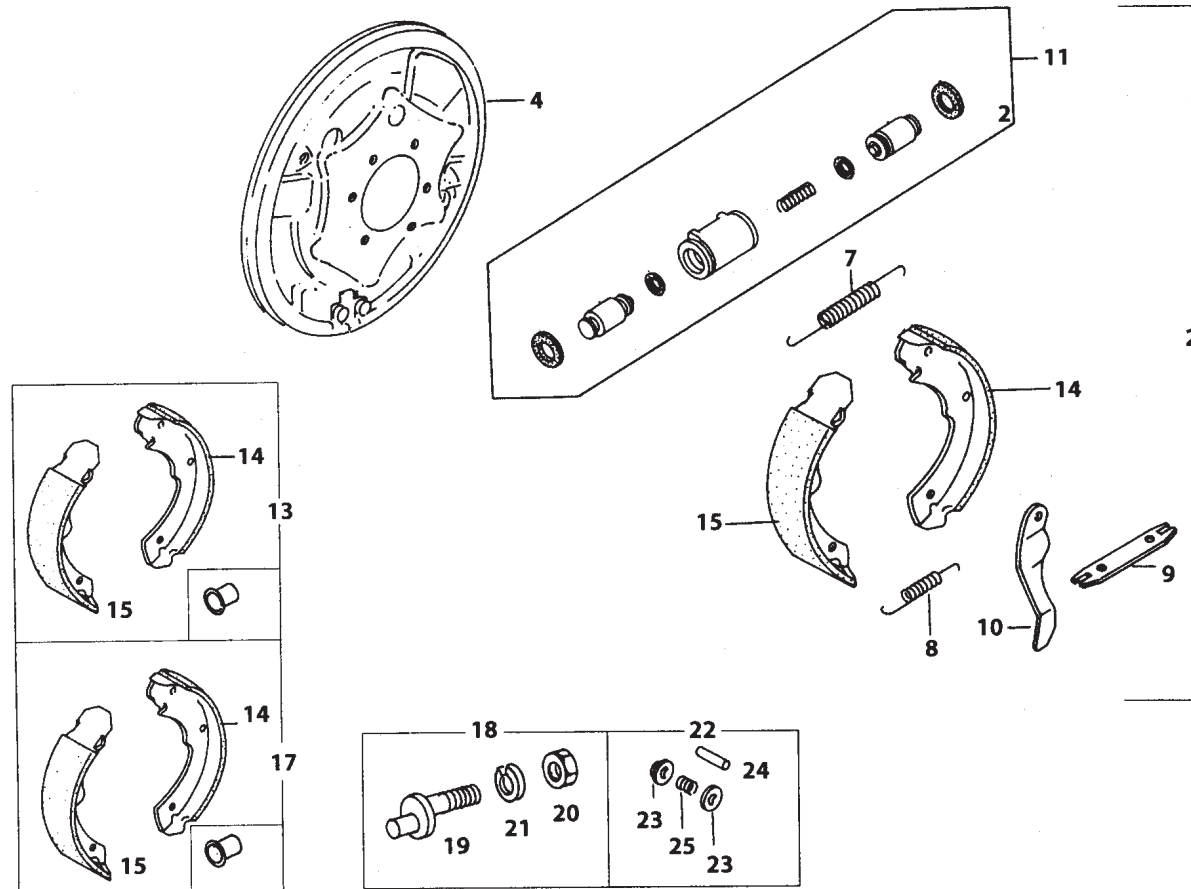


TABLE 42.2

REAR WHEEL BRAKE (BRAKES INDIA)

GROUP 42

FIG. NO.	PART NUMBER	DESCRIPTION	SINGLE CAB						CREW CAB						R/L	REMARKS
			4 x 2				4 x 4		4 x 2			4 x 4				
			AC HD 1	AC HD 2	AC HD 3	HD 4	HD 5	AC HD 6	AC HD 7	AC HD 8	HD 9	AC HD 10	AC HD 11	AC HD 12		
REAR WHEEL BRAKE (BRAKES INDIA)																
2	2699 4230 01 03	Assy. Rear Brake LH (Non Asbestos)	1	1	1	1	1	1	1	1	1	1	1	1	1	
2	2699 4230 01 04	Assy. Rear Brake RH (Non Asbestos)	1	1	1	1	1	1	1	1	1	1	1	1	1	
4	2654 4230 82 01	Anchor Plate LH	1	1	1	1	1	1	1	1	1	1	1	1	1	
4	2654 4230 82 02	Anchor Plate RH	1	1	1	1	1	1	1	1	1	1	1	1	1	
7	2654 4230 87 01	Spring Cylinder End	2	2	2	2	2	2	2	2	2	2	2	2	2	
8	2654 4230 87 02	Spring Abutment End	2	2	2	2	2	2	2	2	2	2	2	2	2	
9	2654 4230 01 14	Assy. Strut	2	2	2	2	2	2	2	2	2	2	2	2	2	
10	2654 4230 01 15	Assy. Lever Hand Brake LH	1	1	1	1	1	1	1	1	1	1	1	1	1	
10	2654 4230 01 16	Assy. Lever Hand Brake RH	1	1	1	1	1	1	1	1	1	1	1	1	1	
11	2654 4230 01 19	Assy. Wheel Cylinder (22.22 mm Dia.)	2	2	2	2	2	2	2	2	2	2	2	2	2	
	2699 4230 37 02	Brake Drum Rear														
REPAIR KITS																
13	8854 4201 02 07	Kit Lining Set (STD) Non Asbestos Consisting of :	1	1	1	1	1	1	1	1	1	1	1	1	1	
14		Lining (Leading)	2	2	2	2	2	2	2	2	2	2	2	2	2	
15		Lining (Trailing)	2	2	2	2	2	2	2	2	2	2	2	2	2	
17	8854 4202 02 07	Kit Lining Set (R/S I) Non Asbestos Consisting of :	1	1	1	1	1	1	1	1	1	1	1	1	1	
14		Lining (Leading)	2	2	2	2	2	2	2	2	2	2	2	2	2	
15		Lining (Trailing)	2	2	2	2	2	2	2	2	2	2	2	2	2	
17	8854 4203 02 07	Kit Lining Set (R/S II) Non Asbestos Consisting of :	1	1	1	1	1	1	1	1	1	1	1	1	1	

TABLE 42.2

REAR WHEEL BRAKE (BRAKES INDIA)

GROUP 42

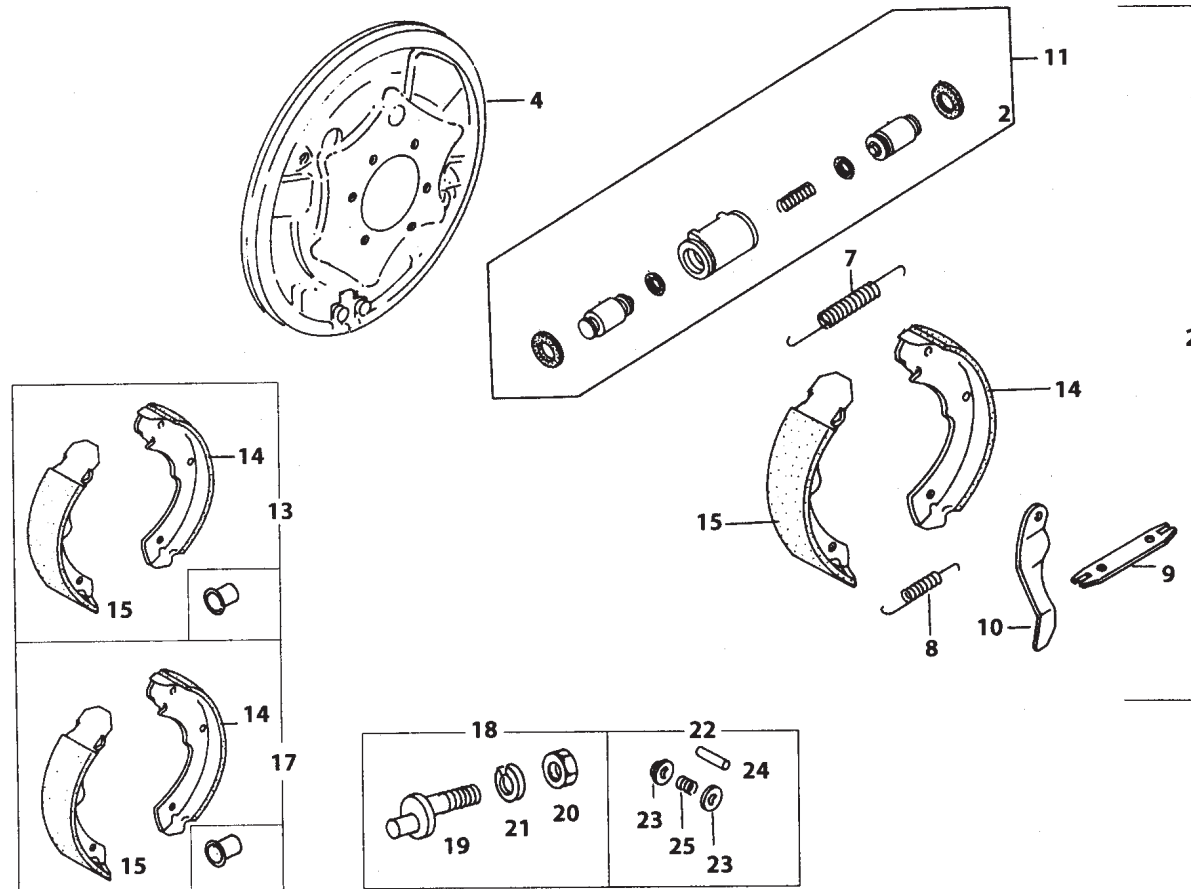


TABLE 42.2

REAR WHEEL BRAKE (BRAKES INDIA)

GROUP 42

FIG. NO.	PART NUMBER	DESCRIPTION	SINGLE CAB						CREW CAB						R/L	REMARKS	
			4 x 2				4 x 4		4 x 2			4 x 4					
			AC HD 1	AC HD 2	AC HD 3	HD 4	HD 5	AC HD 6	AC HD 7	AC HD 8	HD 9	AC HD 10	AC HD 11	AC HD 12			AC HD 13
14		Lining (Leading)	2	2	2	2	2	2	2	2	2	2	2	2	2		
15		Lining (Trailing)	2	2	2	2	2	2	2	2	2	2	2	2	2		
18	2654 4230 01 12	Kit (Cam Adjuster) Consisting of :	1	1	1	1	1	1	1	1	1	1	1	1	1		
19		Cam	1	1	1	1	1	1	1	1	1	1	1	1	1		
20		Nut	1	1	1	1	1	1	1	1	1	1	1	1	1		
21		Spring Washer	1	1	1	1	1	1	1	1	1	1	1	1	1		
22	2654 4230 01 13	Kit Shoe Hold - Down Consisting of :	1	1	1	1	1	1	1	1	1	1	1	1	1		
23		Cap Washer	4	4	4	4	4	4	4	4	4	4	4	4	4		
24		Pin	2	2	2	2	2	2	2	2	2	2	2	2	2		
25		Spring	2	2	2	2	2	2	2	2	2	2	2	2	2		
	2654 4230 01 17	Minor Repair Kit (Wheel Cyl.) Consists of :	1	1	1	1	1	1	1	1	1	1	1	1	1		
		Seal	2	2	2	2	2	2	2	2	2	2	2	2	2		
		Dust Cover	2	2	2	2	2	2	2	2	2	2	2	2	2		
		Grease Tube	1	1	1	1	1	1	1	1	1	1	1	1	1		

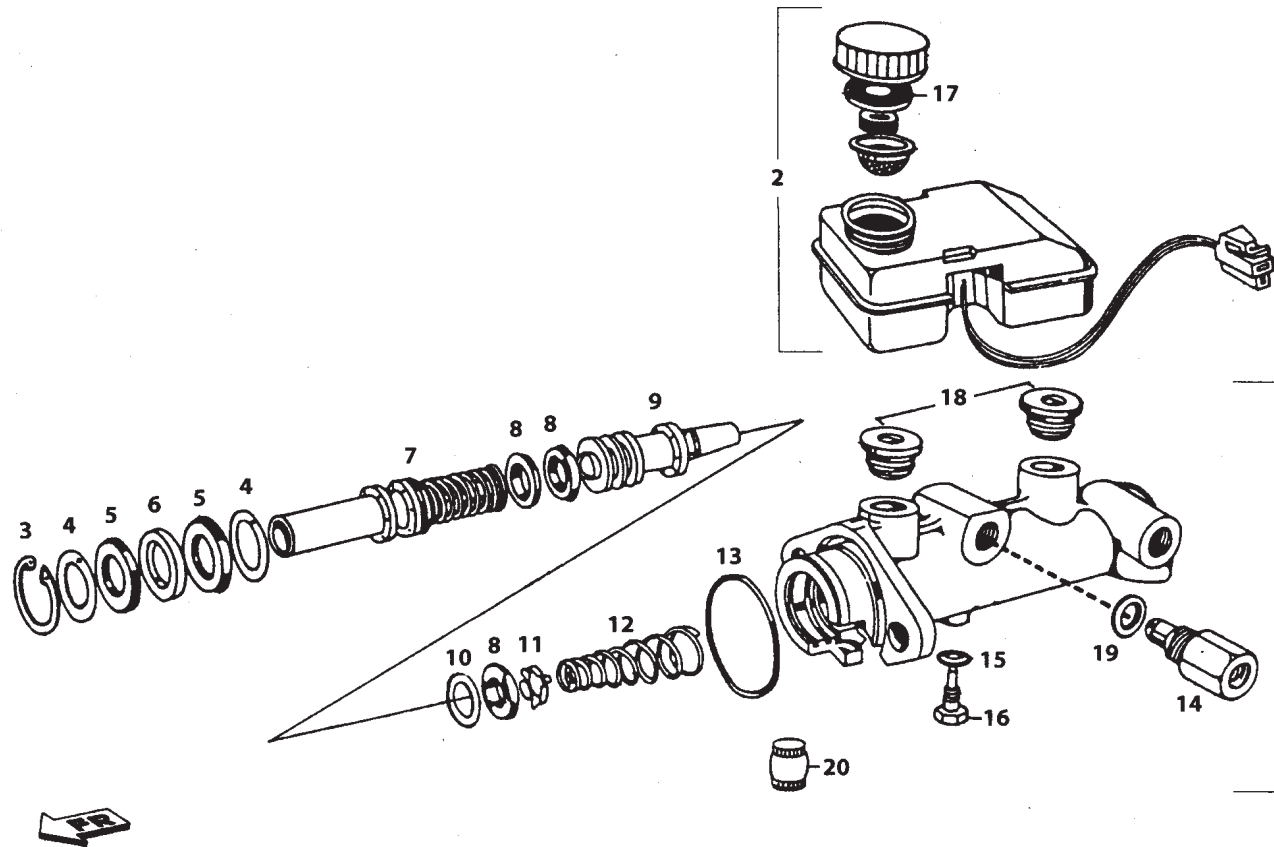


TABLE 42.3

TANDEM MASTER CYLINDER (BRAKES INDIA)

GROUP 42

FIG. NO.	PART NUMBER	DESCRIPTION	SINGLE CAB							CREW CAB							R/L	REMARKS	
			4 x 2				4 x 4			4 x 2				4 x 4					
			AC HD 1	AC HD 2	AC HD 3	HD 4	HD 5	AC HD 6	AC HD 7	AC HD 8	HD 9	AC HD 10	AC HD 11	AC HD 12	AC HD 13	HD 14			
		TANDEM MASTER CYLINDER (BRAKES INDIA)																	
1	2698 4310 01 04	Assy. Tandem Master Cylinder (BI) (Cast Iron)	1	1	1	1	1	1	1	1	1	1	1	1	1	1	1		Upto Jan 06
1	2698 4310 01 10	Assy. Tandem Master Cylinder (BI) (Aluminium)	1	1	1	1	1	1	1	1	1	1	1	1	1	1	1		From Jan 06
2	2654 4310 01 19	Assy. Brake Fluid Container (BI)	1	1	1	1	1	1	1	1	1	1	1	1	1	1	1		From Jan.06
		REPAIR KITS																	
-	2654 4310 01 32	Repair Kit (Major (for Aluminium TML) Consisting of :																	
-	2654 4310 01 08	Repair Kit (Major) (for Cast Iron TMC) Consisting of :	1	1	1	1	1	1	1	1	1	1	1	1	1	1	1		
3		Circlip	1	1	1	1	1	1	1	1	1	1	1	1	1	1	1		
4		Bearing Ring	2	2	2	2	2	2	2	2	2	2	2	2	2	2	2		
5		Primary Back Seal	2	2	2	2	2	2	2	2	2	2	2	2	2	2	2		
7		Primary Plunger	1	1	1	1	1	1	1	1	1	1	1	1	1	1	1		
8		Recuperating Seal	3	3	3	3	3	3	3	3	3	3	3	3	3	3	3		
9		Secondary Piston	1	1	1	1	1	1	1	1	1	1	1	1	1	1	1		
10		Shim	1	1	1	1	1	1	1	1	1	1	1	1	1	1	1		
11		Spring Retainer	1	1	1	1	1	1	1	1	1	1	1	1	1	1	1		
12		Secondary Spring	1	1	1	1	1	1	1	1	1	1	1	1	1	1	1		
13		'O' Ring	1	1	1	1	1	1	1	1	1	1	1	1	1	1	1		
14		Assy. Residual Pressure Valve	1	1	1	1	1	1	1	1	1	1	1	1	1	1	1		
15		Gasket	1	1	1	1	1	1	1	1	1	1	1	1	1	1	1		
16		Stop Screw	1	1	1	1	1	1	1	1	1	1	1	1	1	1	1		

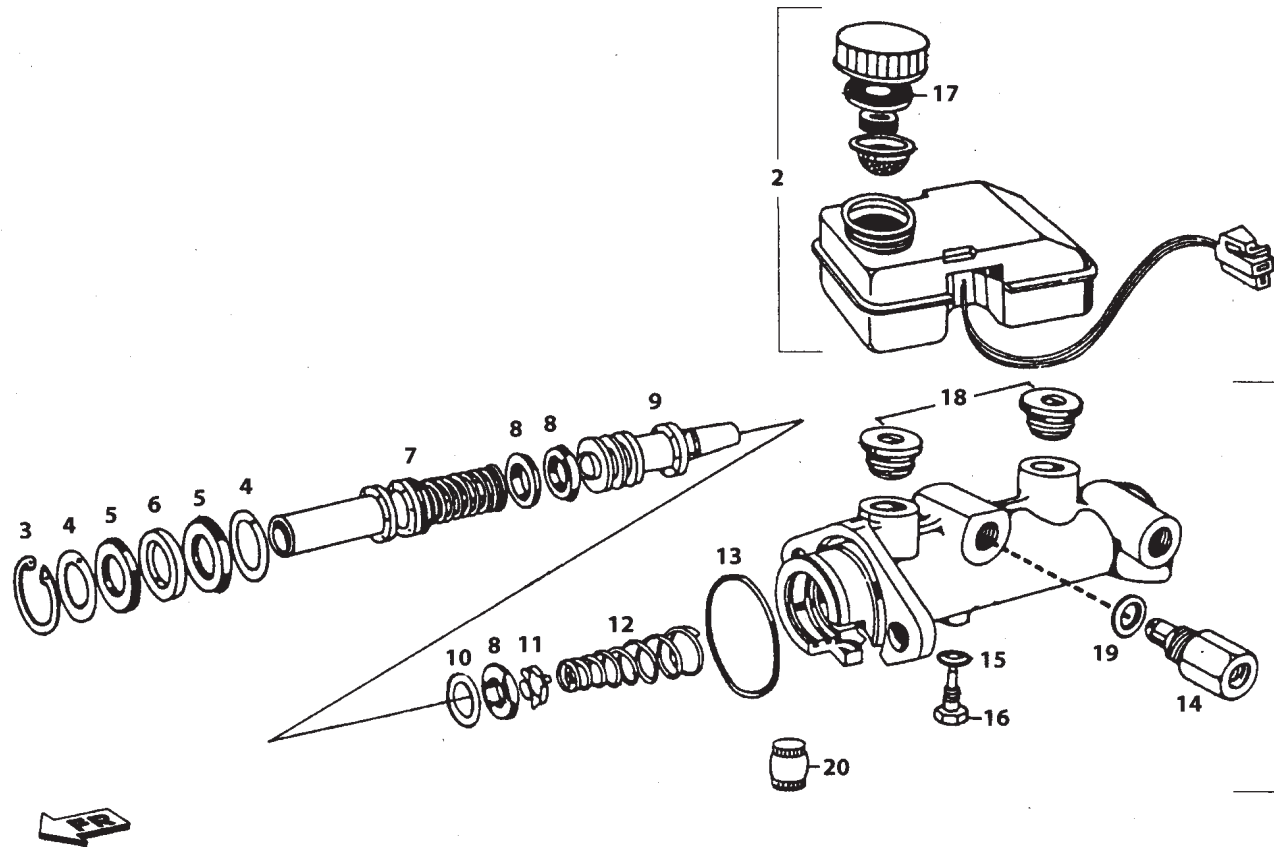


TABLE 42.3

TANDEM MASTER CYLINDER (BRAKES INDIA)

GROUP 42

FIG. NO.	PART NUMBER	DESCRIPTION	SINGLE CAB						CREW CAB						R/L	REMARKS	
			4 x 2				4 x 4		4 x 2				4 x 4				
			AC HD 1	AC HD 2	AC HD 3	HD 4	HD 5	AC HD 6	AC HD 7	AC HD 8	HD 9	AC HD 10	AC HD 11	AC HD 12			AC HD 13
17		Rubber Washer	1	1	1	1	1	1	1	1	1	1	1	1	1		
18		Seal	2	2	2	2	2	2	2	2	2	2	2	2	2		
19		Gasket	1	1	1	1	1	1	1	1	1	1	1	1	1		
20		Grease Tube	1	1	1	1	1	1	1	1	1	1	1	1	1		
-	2654 4310 01 33	Repair Kit (Minor) (for Aluminium TML) Consisting of :															
-	2654 4310 01 09	Repair Kit (Minor) (for Cast Iron TMC) Consisting of :	1	1	1	1	1	1	1	1	1	1	1	1	1		
3		Circlip	1	1	1	1	1	1	1	1	1	1	1	1	1		
5		Primary Back Seal	2	2	2	2	2	2	2	2	2	2	2	2	2		
6		Spacer Ring	1	1	1	1	1	1	1	1	1	1	1	1	1		
7		Primary Plunger Assy.	1	1	1	1	1	1	1	1	1	1	1	1	1		
8		Recuperating Seal	3	3	3	3	3	3	3	3	3	3	3	3	3		
10		Shim	1	1	1	1	1	1	1	1	1	1	1	1	1		
13		'O' Ring	1	1	1	1	1	1	1	1	1	1	1	1	1		
14		Assy. Residual Pressure Valve	1	1	1	1	1	1	1	1	1	1	1	1	1		
18		Seal	2	2	2	2	2	2	2	2	2	2	2	2	2		
19		Gasket	1	1	1	1	1	1	1	1	1	1	1	1	1		
20		Grease Tube	1	1	1	1	1	1	1	1	1	1	1	1	1		

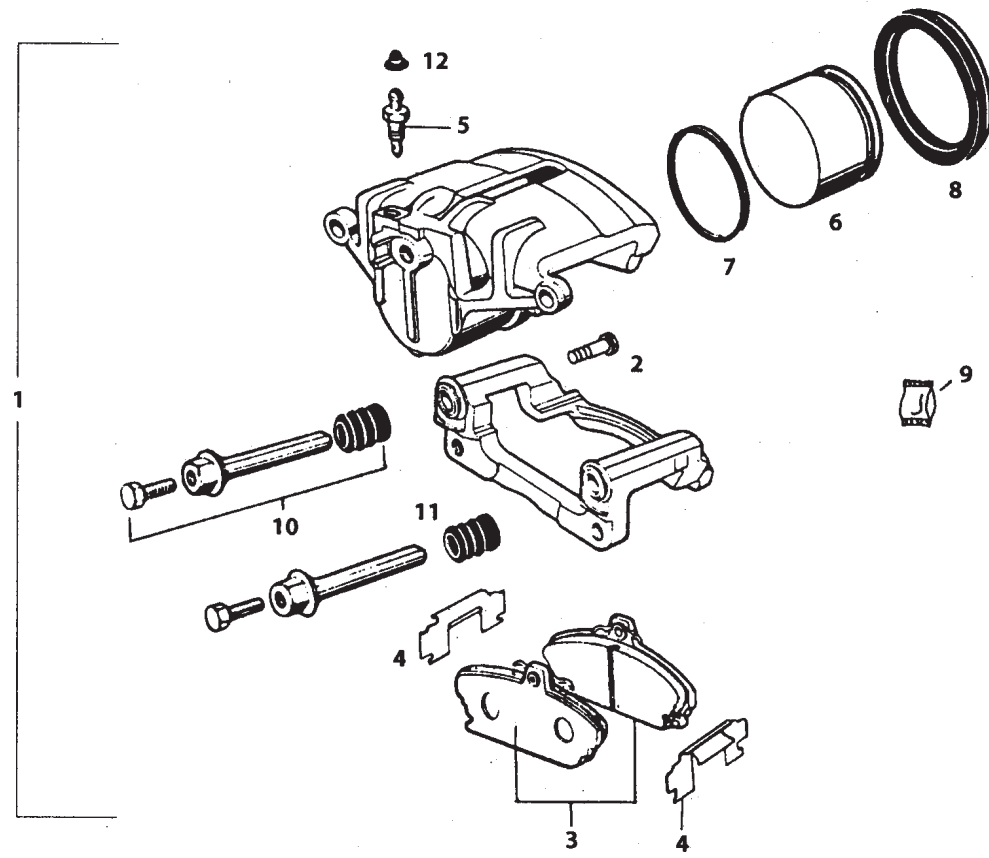


TABLE 42.4

FRONT WHEEL DISC BRAKE (KBX)

GROUP 42

FIG. NO.	PART NUMBER	DESCRIPTION	SINGLE CAB						CREW CAB						R/L	REMARKS		
			4 x 2				4 x 4		4 x 2				4 x 4					
			AC HD 1	AC HD 2	AC HD 3	HD 4	HD 5	AC HD 6	AC HD 7	AC HD 8	HD 9	AC HD 10	AC HD 11	AC HD 12			AC HD 13	HD 14
		FRONT WHEEL DISC BRAKE (KBX)																
1	2654 4210 01 37	Assy. Caliper Brake LH	1	1	1	1	1	1	1	1	1	1	1	1	1			
1	2654 4210 01 38	Assy. Caliper Brake RH	1	1	1	1	1	1	1	1	1	1	1	1	1			
2	1132 409612 6	Hex. Screw M 12x1.25x32 (for Caliper Brake)	4	4	4	4	4	4	4	4	4	4	4	4	4			
3	2654 4210 01 35	Kit Pad (Consisting of 4 Pads)	1	1	1	1	1	1	1	1	1	1	1	1	1			
4	2654 4210 87 04	Pad Spring	4	4	4	4	4	4	4	4	4	4	4	4	4			
5	2654 4210 80 02	Bleeder	2	2	2	2	2	2	2	2	2	2	2	2	2			
10	2654 4210 01 36	Kit Sliding Pin	4	4	4	4	4	4	4	4	4	4	4	4	4			
		REPAIR KITS																
	2654 4210 01 33	Major Kit Caliper Consisting of :	1	1	1	1	1	1	1	1	1	1	1	1	1			
6		Piston	1	1	1	1	1	1	1	1	1	1	1	1	1			
7		Seal (Piston)	1	1	1	1	1	1	1	1	1	1	1	1	1			
8		Boot (Piston)	1	1	1	1	1	1	1	1	1	1	1	1	1			
9		Grease Pack	1	1	1	1	1	1	1	1	1	1	1	1	1			
11		Boot (Pin)	2	2	2	2	2	2	2	2	2	2	2	2	2			
	2654 4210 01 34	Minor Kit Caliper Consisting of :	1	1	1	1	1	1	1	1	1	1	1	1	1			
7		Seal	1	1	1	1	1	1	1	1	1	1	1	1	1			
8		Boot (Piston)	1	1	1	1	1	1	1	1	1	1	1	1	1			
9		Grease Pack	1	1	1	1	1	1	1	1	1	1	1	1	1			
11		Boot (Pin)	2	2	2	2	2	2	2	2	2	2	2	2	2			

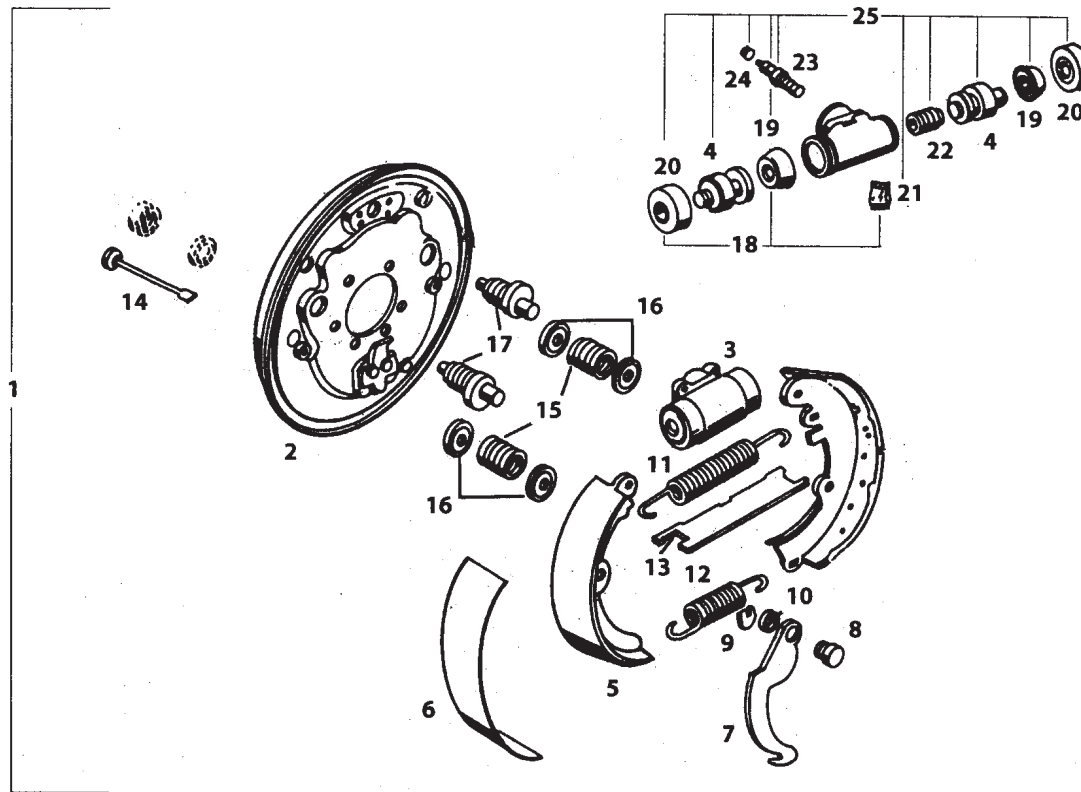


TABLE 42.5

REAR WHEEL BRAKE (KBX)

GROUP 42

FIG. NO.	PART NUMBER	DESCRIPTION	SINGLE CAB							CREW CAB							R/L	REMARKS	
			4 x 2				4 x 4			4 x 2				4 x 4					
			AC HD 1	AC HD 2	AC HD 3	HD 4	HD 5	AC HD 6	AC HD 7	AC HD 8	HD 9	AC HD 10	AC HD 11	AC HD 12	AC HD 13	HD 14			
		REAR WHEEL BRAKE (KBX)																	
1	2699 4230 01 05	Assy. Rear Brake LH (Non Asbestos)	1	1	1	1	1	1	1	1	1	1	1	1	1	1	1		
1	2699 4230 01 06	Assy. Rear Brake RH (Non Asbestos)	1	1	1	1	1	1	1	1	1	1	1	1	1	1	1		
2	2654 4230 01 45	Back Plate Complete LH	1	1	1	1	1	1	1	1	1	1	1	1	1	1	1		
2	2654 4230 01 46	Back Plate Complete RH	1	1	1	1	1	1	1	1	1	1	1	1	1	1	1		
3	2654 4230 01 47	Assy. Wheel Cylinder (22.22 Dia.)	2	2	2	2	2	2	2	2	2	2	2	2	2	2	2		
4	2654 4230 66 02	Piston, Wheel Cylinder	4	4	4	4	4	4	4	4	4	4	4	4	4	4	4		
5	2654 4230 01 51	Lined Shoe Kit	1	1	1	1	1	1	1	1	1	1	1	1	1	1	1		
7	2654 4230 60 01	Hand Brake Lever LH	1	1	1	1	1	1	1	1	1	1	1	1	1	1	1		
7	2654 4230 60 01	Hand Brake Lever RH	1	1	1	1	1	1	1	1	1	1	1	1	1	1	1		
8	2654 4230 67 02	Pin Hand Brake Lever	2	2	2	2	2	2	2	2	2	2	2	2	2	2	2		
9	2654 4230 43 02	'U' Clip	2	2	2	2	2	2	2	2	2	2	2	2	2	2	2		
10	2654 4230 92 04	Washer Cup	2	2	2	2	2	2	2	2	2	2	2	2	2	2	2		
11	2654 4230 87 05	Shoe Return Spring	2	2	2	2	2	2	2	2	2	2	2	2	2	2	2		
12	2654 4230 87 06	Shoe Return Spring (Fixed Point)	2	2	2	2	2	2	2	2	2	2	2	2	2	2	2		
13	2654 4230 71 01	Strut	2	2	2	2	2	2	2	2	2	2	2	2	2	2	2		
14	2654 4230 67 03	Shoe Set Pin	4	4	4	4	4	4	4	4	4	4	4	4	4	4	4		
15	2654 4230 87 07	Spring Shoe Hold Down	4	4	4	4	4	4	4	4	4	4	4	4	4	4	4		
16	2654 4230 99 03	Cup, Shoe Hold Down	8	8	8	8	8	8	8	8	8	8	8	8	8	8	8		
17	2654 4230 32 02	Cam Shoe Adjuster	4	4	4	4	4	4	4	4	4	4	4	4	4	4	4		

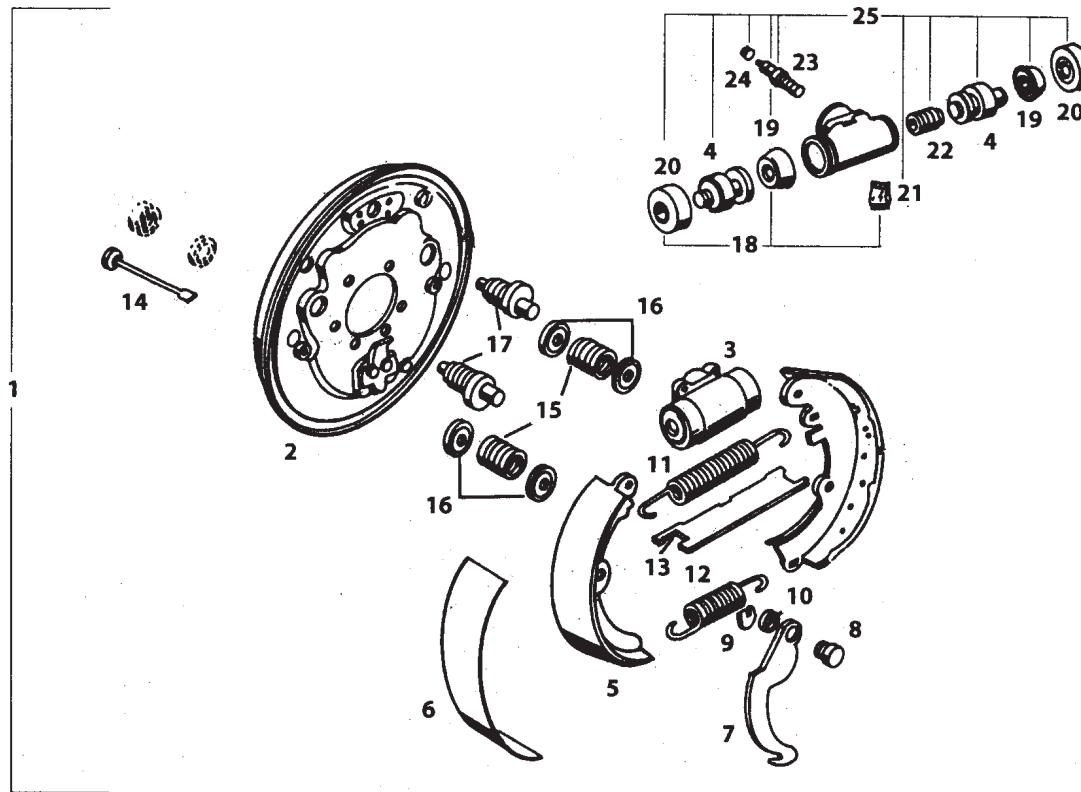


TABLE 42.5

REAR WHEEL BRAKE (KBX)

GROUP 42

FIG. NO.	PART NUMBER	DESCRIPTION	SINGLE CAB						CREW CAB						R/L	REMARKS	
			4 x 2				4 x 4		4 x 2			4 x 4					
			AC HD 1	AC HD 2	AC HD 3	HD 4	HD 5	AC HD 6	AC HD 7	AC HD 8	HD 9	AC HD 10	AC HD 11	AC HD 12			AC HD 13
	2699 4230 37 02	Brake Drum Rear	2	2	2	2	2	2	2	2	2	2	2	2	2		
		REPAIR KITS															
18	2654 4230 01 58	Minor Kit Wheel Cylinder Consisting of :	1	1	1	1	1	1	1	1	1	1	1	1	1		
19		Cup	2	2	2	2	2	2	2	2	2	2	2	2	2		
20		Boot	2	2	2	2	2	2	2	2	2	2	2	2	2		
21		Grease Pack	1	1	1	1	1	1	1	1	1	1	1	1	1		
25	2654 4230 01 50	Major Kit Wheel Cylinder Consisting of :	1	1	1	1	1	1	1	1	1	1	1	1	1		
4		Piston Wheel Cylinder	2	2	2	2	2	2	2	2	2	2	2	2	2		
19		Cup	2	2	2	2	2	2	2	2	2	2	2	2	2		
20		Boot	2	2	2	2	2	2	2	2	2	2	2	2	2		
21		Grease Pack	1	1	1	1	1	1	1	1	1	1	1	1	1		
22		Spring Wheel Cylinder	1	1	1	1	1	1	1	1	1	1	1	1	1		
23		Bleeder Screw	1	1	1	1	1	1	1	1	1	1	1	1	1		
24		Cap (Bleeder Screw)	1	1	1	1	1	1	1	1	1	1	1	1	1		
6	8854 4201 02 07	Kit Lining Set (STD) Non Asbestos Consisting of :	1	1	1	1	1	1	1	1	1	1	1	1	1		
		Lining (Leading)	2	2	2	2	2	2	2	2	2	2	2	2	2		
		Lining (Trailing)	2	2	2	2	2	2	2	2	2	2	2	2	2		
6	8854 4202 02 07	Kit Lining Set (R/S I) Non Asbestos Consisting of :	1	1	1	1	1	1	1	1	1	1	1	1	1		
		Lining (Leading)	2	2	2	2	2	2	2	2	2	2	2	2	2		
		Lining (Trailing)	2	2	2	2	2	2	2	2	2	2	2	2	2		

TABLE 42.5

REAR WHEEL BRAKE (KBX)

GROUP 42

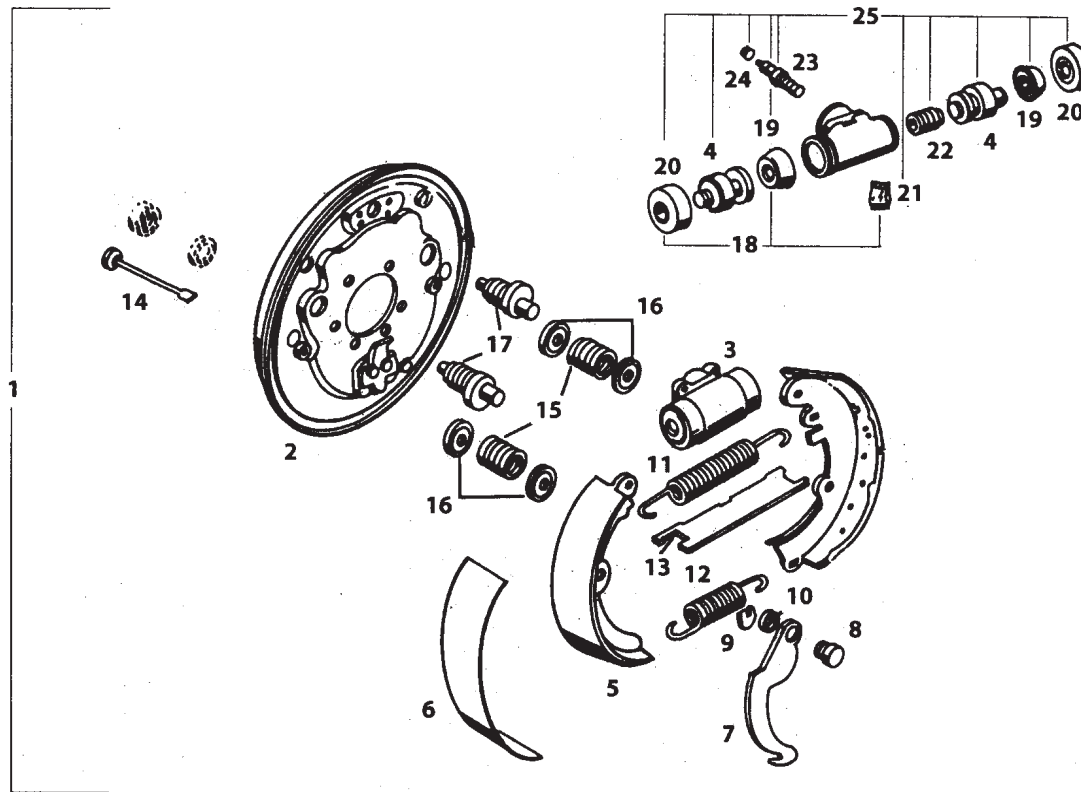


TABLE 42.5

REAR WHEEL BRAKE (KBX)

GROUP 42

FIG. NO.	PART NUMBER	DESCRIPTION	SINGLE CAB						CREW CAB						R/L	REMARKS	
			4 x 2				4 x 4		4 x 2				4 x 4				
			AC HD 1	AC HD 2	AC HD 3	HD 4	HD 5	AC HD 6	AC HD 7	AC HD 8	HD 9	AC HD 10	AC HD 11	AC HD 12			AC HD 13
6	8854 4203 02 07	Kit Lining Set (R/S II) Non Asbestos Consisting of :	1	1	1	1	1	1	1	1	1	1	1	1	1		
		Lining (Leading)	2	2	2	2	2	2	2	2	2	2	2	2	2		
		Lining (Trailing)	2	2	2	2	2	2	2	2	2	2	2	2	2		

TABLE 42.6

TANDEM MASTER CYLINDER (KBX)

GROUP 42

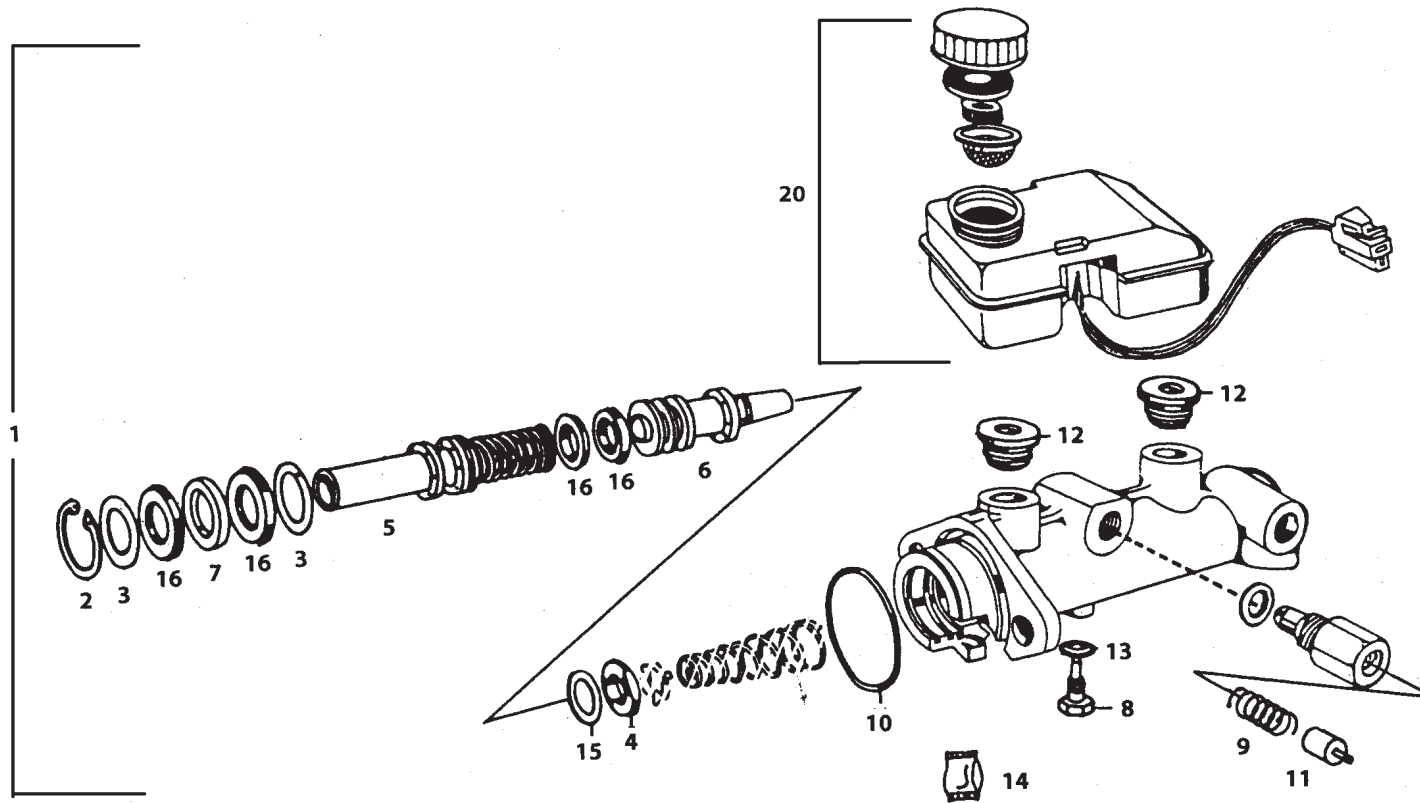


TABLE 42.6

TANDEM MASTER CYLINDER (KBX)

GROUP 42

FIG. NO.	PART NUMBER	DESCRIPTION	SINGLE CAB							CREW CAB							R/L	REMARKS
			4 x 2				4 x 4			4 x 2				4 x 4				
			AC HD 1	AC HD 2	AC HD 3	HD 4	HD 5	AC HD 6	AC HD 7	AC HD 8	HD 9	AC HD 10	AC HD 11	AC HD 12	AC HD 13	HD 14		
1	2698 4310 01 07	TANDEM MASTER CYLINDER (KBX) Assy. Tandem Master Cylinder (KBX) (Aluminium)	1	1	1	1	1	1	1	1	1	1	1	1	1	1		
		REPAIR KITS																
	2654 4210 01 78	Major Repair Kit Consisting of :	1	1	1	1	1	1	1	1	1	1	1	1	1	1		
2		Circlip	1	1	1	1	1	1	1	1	1	1	1	1	1			
3		Gasket	2	2	2	2	2	2	2	2	2	2	2	2	2			
4		Primary Seal	2	2	2	2	2	2	2	2	2	2	2	2	2			
5		Primary Piston	1	1	1	1	1	1	1	1	1	1	1	1	1			
6		Secondary Piston	1	1	1	1	1	1	1	1	1	1	1	1	1			
7		Spacer	1	1	1	1	1	1	1	1	1	1	1	1	1			
8		Secondary Piston Stopper	1	1	1	1	1	1	1	1	1	1	1	1	1			
9		Spring Residual Valve	1	1	1	1	1	1	1	1	1	1	1	1	1			
10		'O' Ring	1	1	1	1	1	1	1	1	1	1	1	1	1			
11		Residual Valve	1	1	1	1	1	1	1	1	1	1	1	1	1			
12		Grommet	2	2	2	2	2	2	2	2	2	2	2	2	2			
13		Gasket	1	1	1	1	1	1	1	1	1	1	1	1	1			
14		Grease Pack	1	1	1	1	1	1	1	1	1	1	1	1	1			
	2654 4210 01 79	Minor Repair Kit Consisting of :	1	1	1	1	1	1	1	1	1	1	1	1	1			
2		Circlip	1	1	1	1	1	1	1	1	1	1	1	1	1			
4		Primary Seal	2	2	2	2	2	2	2	2	2	2	2	2	2			

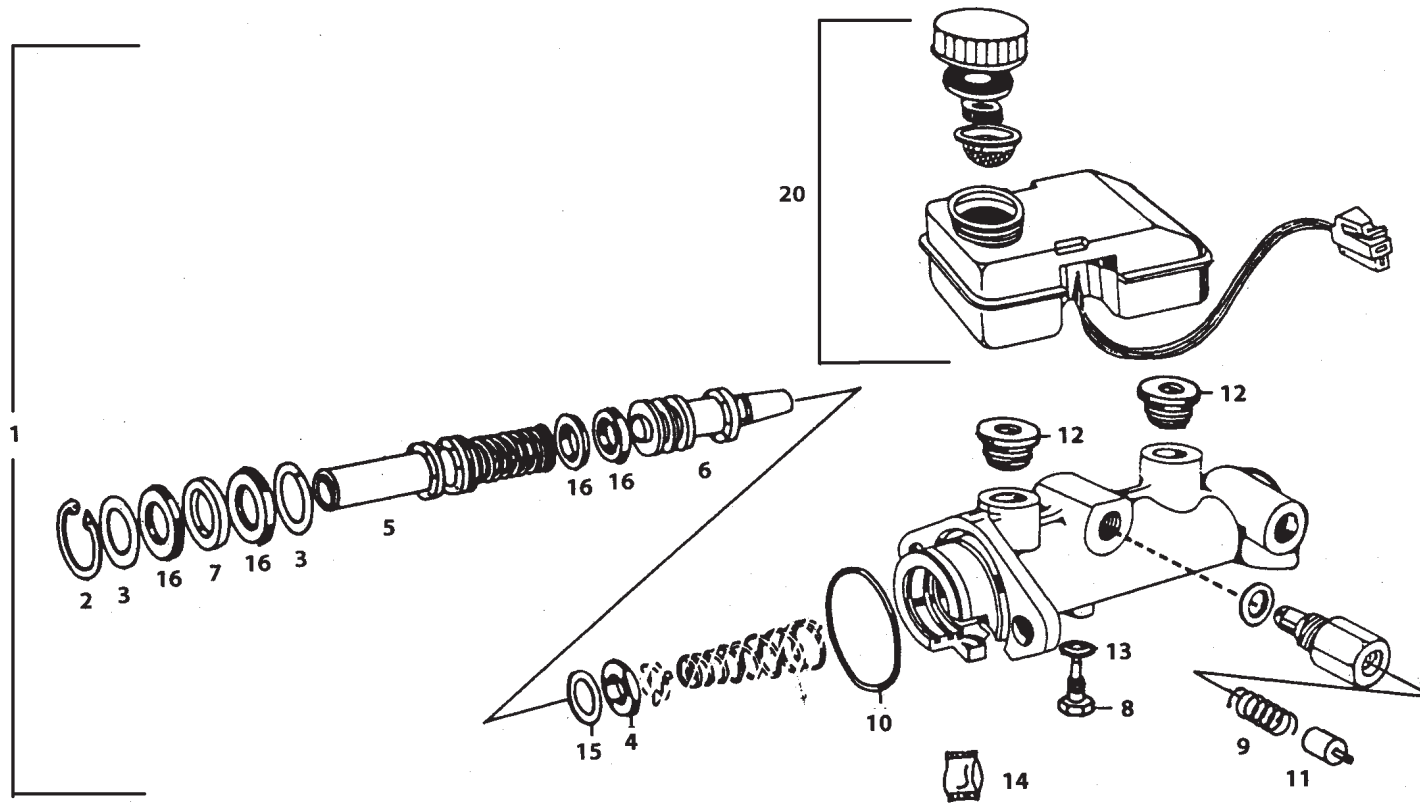


TABLE 42.6

TANDEM MASTER CYLINDER (KBX)

GROUP 42

FIG. NO.	PART NUMBER	DESCRIPTION	SINGLE CAB						CREW CAB						R/L	REMARKS	
			4 x 2				4 x 4		4 x 2				4 x 4				
			AC HD 1	AC HD 2	AC HD 3	HD 4	HD 5	AC HD 6	AC HD 7	AC HD 8	HD 9	AC HD 10	AC HD 11	AC HD 12			AC HD 13
15		Cup Spacer	2	2	2	2	2	2	2	2	2	2	2	2	2		
16		Piston Seal	4	4	4	4	4	4	4	4	4	4	4	4	4		
7		Spacer	1	1	1	1	1	1	1	1	1	1	1	1	1		
10		'O' Ring	1	1	1	1	1	1	1	1	1	1	1	1	1		
13		Gasket	1	1	1	1	1	1	1	1	1	1	1	1	1		
14		Grease Pack	1	1	1	1	1	1	1	1	1	1	1	1	1		
20	2654 4310 01 26	Assy.Brake Fluid Container (KBX)	1	1	1	1	1	1	1	1	1	1	1	1	1		For Veh Upto Jan 06

TABLE 42.7

VACUUM BOOSTER

GROUP 42

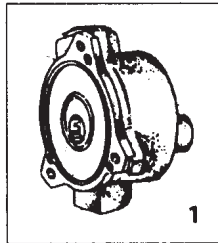


TABLE 42.7

VACUUM BOOSTER

GROUP 42

FIG. NO.	PART NUMBER	DESCRIPTION	SINGLE CAB							CREW CAB							R/L	REMARKS		
			4 x 2				4 x 4			4 x 2				4 x 4						
			AC HD 1	AC HD 2	AC HD 3	HD 4	HD 5	AC HD 6	AC HD 7	AC HD 8	HD 9	AC HD 10	AC HD 11	AC HD 12	AC HD 13	HD 14				
		VACUUM BOOSTER																		
1	2654 1540 01 26	Assy. Vacuum Pump (On Alternator)	1	1	1	1	1	1	1	1	1	1	1	1	1	1	1			
2	2699 4350 01 01	Assy. Vacuum Booster (10 " Dia.)	1	1	1	1	1	1	1	1	1	1	1	1	1	1	1			
		REPAIR KITS																		
	2699 4350 01 06	Repair Kit (Major) Consisting of :	1	1	1	1	1	1	1	1	1	1	1	1	1	1	1			
17		Non - Return Valve Assy.	1	1	1	1	1	1	1	1	1	1	1	1	1	1	1			
18		Rubber Grommet	1	1	1	1	1	1	1	1	1	1	1	1	1	1	1			
19		Sealing Ring	1	1	1	1	1	1	1	1	1	1	1	1	1	1	1			
20		Operating Rod Assy.	1	1	1	1	1	1	1	1	1	1	1	1	1	1	1			
14		Lip Seal	1	1	1	1	1	1	1	1	1	1	1	1	1	1	1			
21		Gaiter	1	1	1	1	1	1	1	1	1	1	1	1	1	1	1			
	2699 4350 01 07	Repair Kit (Minor) Consisting of :	1	1	1	1	1	1	1	1	1	1	1	1	1	1	1			
22		Filter	1	1	1	1	1	1	1	1	1	1	1	1	1	1	1			
23		Filter	1	1	1	1	1	1	1	1	1	1	1	1	1	1	1			
21		Gaiter	1	1	1	1	1	1	1	1	1	1	1	1	1	1	1			

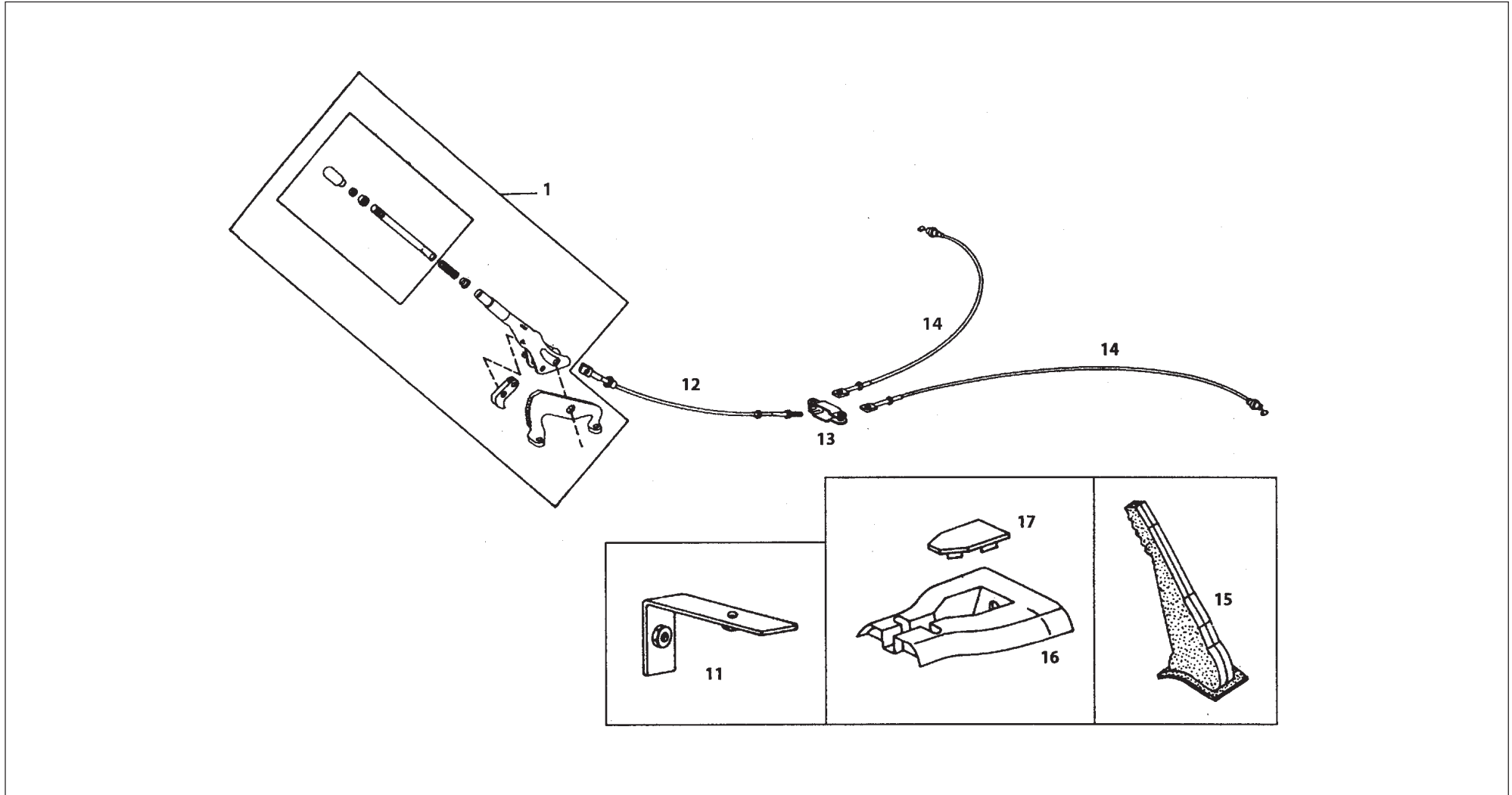


TABLE 42.8

PARKING BRAKE (CONSOLE MOUNTED)

GROUP 42

FIG. NO.	PART NUMBER	DESCRIPTION	SINGLE CAB						CREW CAB						R/L	REMARKS		
			4 x 2			4 x 4			4 x 2			4 x 4						
			AC HD 1	AC HD 2	AC HD 3	HD 4	HD 5	AC HD 6	AC HD 7	AC HD 8	HD 9	AC HD 10	AC HD 11	AC HD 12			AC HD 13	HD 14
		PARKING BRAKE (CONSOLE MOUNTED)																
1	2699 4270 01 10	Assy. Parking Brake Lever Complete	1	1	1	1	1	1	1	1	1	1	1	1	1			
11	2658 4270 01 47	Assy. Bracket	1	1	1	1	1	1	1	1	1	1	1	1	1			
12	2658 4270 01 37	Assy. Parking Brake Cable, Front	1	1	1	1	1	1	1	1	1	1	1	1	1			
13	2658 4270 82 02	Link	1	1	1	1	1	1	1	1	1	1	1	1	1			
14	2654 4270 01 87	Assy. Parking Brake Cable, Rear LH	1	1	1	1	1	1	1									28 WB
14	2654 4270 01 86	Assy. Parking Brake Cable, Rear RH	1	1	1	1	1	1	1									28 WB
14	2701 4270 01 21	Assy. Parking Brake Cable, Rear LH / RH			2	2				2	2	2	2	2	2			31 WB
15	2658 6890 01 14	Assy. Cover (Dark Grey)	1	1	1	1	1	1	1	1	1	1	1	1	1			
16	2658 6890 63 26	Cover, Hand Brake Cable	1	1	1	1	1	1	1	1	1	1	1	1	1			
17	2658 6890 63 29	Lid	1	1	1	1	1	1	1	1	1	1	1	1	1			

TABLE 42.9

HYDRAULIC BRAKE LINES RHD

GROUP 42

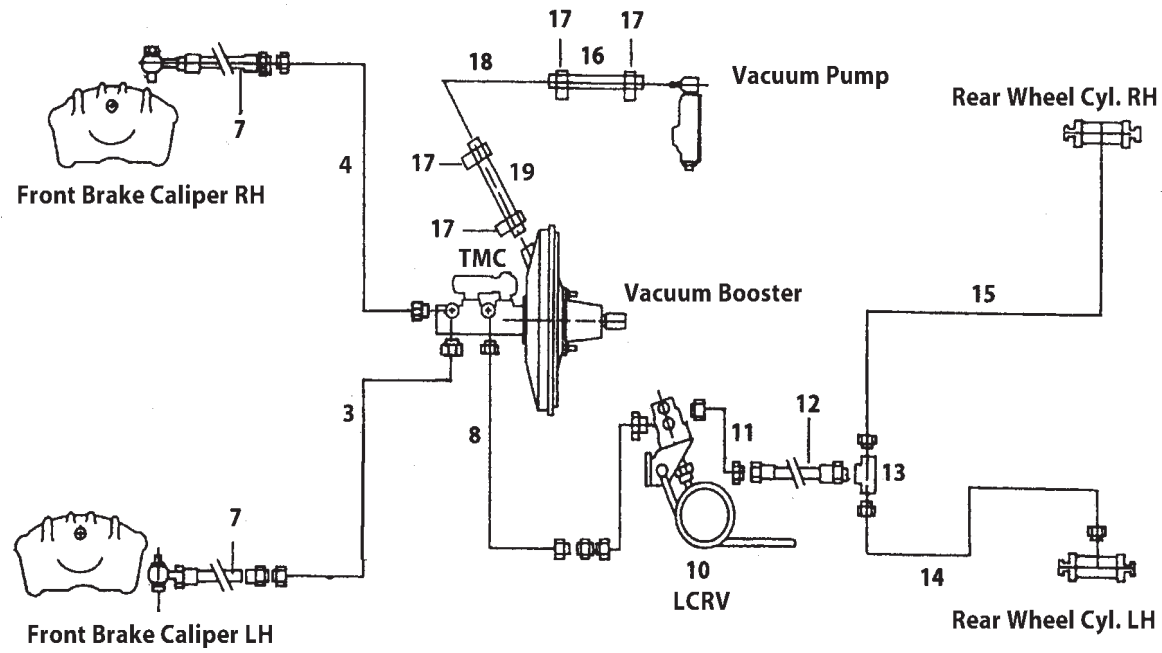


TABLE 42.9

HYDRAULIC BRAKE LINES RHD

GROUP 42

FIG. NO.	PART NUMBER	DESCRIPTION	SINGLE CAB						CREW CAB						R/L	REMARKS		
			4 x 2				4 x 4		4 x 2				4 x 4					
			AC HD 1	AC HD 2	AC HD 3	HD 4	HD 5	AC HD 6	AC HD 7	AC HD 8	HD 9	AC HD 10	AC HD 11	AC HD 12			AC HD 13	HD 14
		HYDRAULIC BRAKE LINES RHD																
		TANDEM MASTER CYLINDER TO FRONT BRAKE CALIPERS																
3	2721 4280 01 34	Assy Tube LH, Front		1	1	1	1			1	1	1			1	1	1	R
4	2721 4280 01 33	Assy Tube RH, Front		1	1	1	1			1	1	1			1	1	1	R
7	2704 4280 01 16	Assy Front Brake Hose	2	2	2	2	2	2	2	2	2	2	2	2	2	2	2	
		TANDEM MASTER CYLINDER TO TO REAR WHEEL CYLINDER																
8	2653 4280 01 32	Assy Tube		1	1	1	1			1	1	1						R
8	2721 4280 01 35	Assy Tube												1	1	1		R
9	2721 4280 01 36	Assy Tube								1	1		1	1	1	1		R
10	2654 4240 01 03	Load Concious Regulating Valve (LCRV)		1	1	1	1	1	1	1	1	1	1	1	1	1	1	
11	2721 4280 01 14	Assy Tube								1	1	1	1	1	1	1		
12	2654 4280 01 28	Assy Hose	1	1	1	1	1	1	1	1	1	1	1	1	1	1	1	
13	2651 4280 68 03	3 Way Union	1	1	1	1	1	1	1	1	1	1	1	1	1	1	1	
14	2654 4280 01 82	Assy Tube, Rear Wheel Cyl. LH	1	1	1	1	1	1	1									
14	2698 4280 01 51	Assy Tube, Rear Wheel Cyl. LH								1	1	1	1	1	1	1		
15	2698 4280 01 50	Assy Tube, Rear Wheel Cyl. RH	1	1	1	1	1	1	1									
15	2698 4280 01 50	Assy Tube, Rear Wheel Cyl. RH								1	1		1	1	1	1		
		VACUUM PUMP (ON ALTERNATOR) TO VACUUM BOOSTER																
16	2651 4350 58 02	Hose		1	1	1	1			1	1	1		1	1	1	1	R
17	1428 050020 9	Hose Clamp 20		4	4	4	4			4	4	4		4	4	4	4	

TABLE 42.9

HYDRAULIC BRAKE LINES RHD

GROUP 42

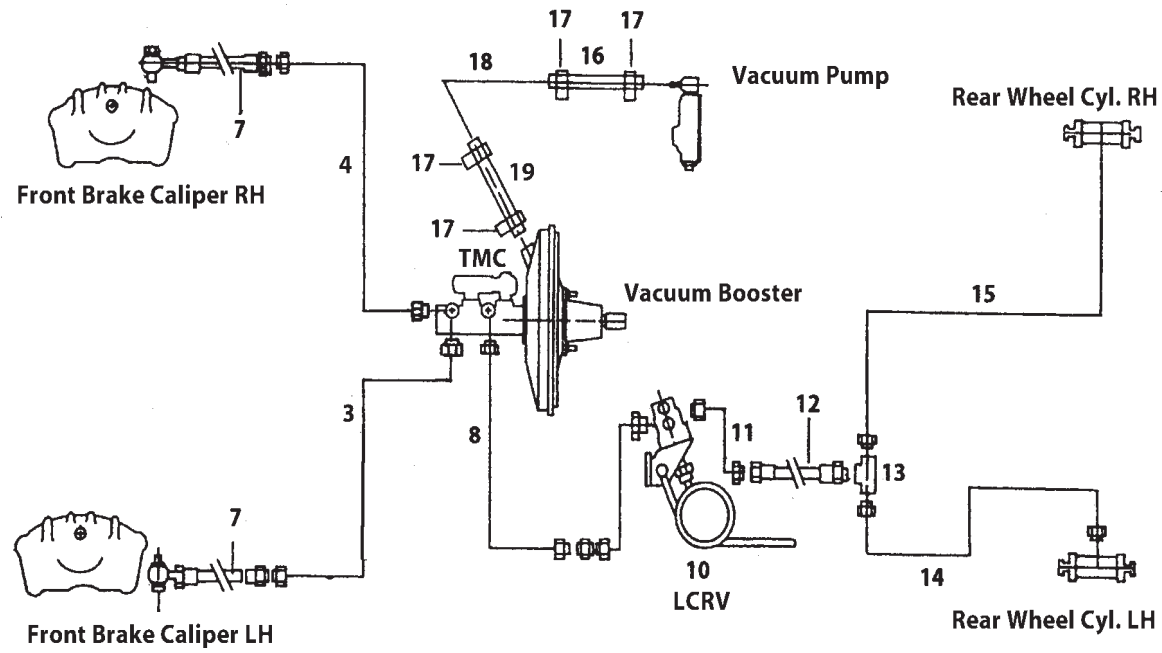


TABLE 42.9

HYDRAULIC BRAKE LINES RHD

GROUP 42

FIG. NO.	PART NUMBER	DESCRIPTION	SINGLE CAB					CREW CAB					R/L	REMARKS				
			4 x 2			4 x 4		4 x 2			4 x 4							
			AC HD 1	AC HD 2	AC HD 3	HD 4	HD 5	AC HD 6	AC HD 7	AC HD 8	HD 9	AC HD 10			AC HD 11	AC HD 12	AC HD 13	HD 14
18	2654 4280 01 01	Tube 12 mm OD		1	1	1	1		1	1	1		1	1	1	1	R	
19	2651 4350 58 04	Hose		1	1	1	1		1	1	1		1	1	1	1	R	

TABLE 42.10

HYDRAULIC BRAKE LINES LHD

GROUP 42

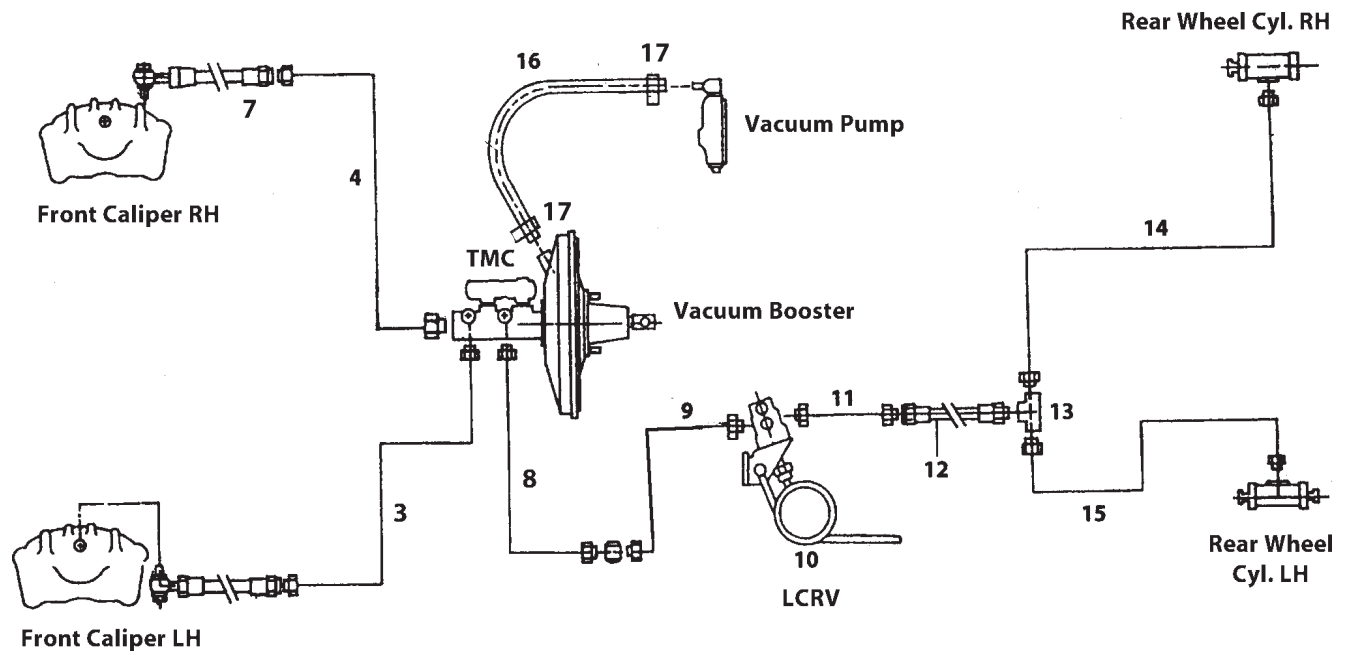


TABLE 42.10

HYDRAULIC BRAKE LINES LHD

GROUP 42

FIG. NO.	PART NUMBER	DESCRIPTION	SINGLE CAB						CREW CAB						R/L	REMARKS	
			4 x 2			4 x 4			4 x 2			4 x 4					
			AC HD 1	AC HD 2	AC HD 3	HD 4	HD 5	AC HD 6	AC HD 7	AC HD 8	HD 9	AC HD 10	AC HD 11	AC HD 12			AC HD 13
		HYDRAULIC BRAKE LINES LHD															
		TANDEM MASTER CYLINDER TO FRONT BRAKE CALIPERS															
3	2653 4280 01 30	Assy Tube LH, Front	1		1	1	1	1	1	1	1		1		1		L
4	2653 4280 01 29	Assy Tube RH, Front	1		1	1	1	1	1	1	1		1		1		L
7	2704 4280 01 16	Assy Front Brake Hose	2	2	2	2	2	2	2	2	2	2	2	2	2	2	
		TANDEM MASTER CYLINDER TO REAR WHEEL CYLINDER															
8	2653 4280 01 31	Assy Tube	1		1	1	1	1	1								L
8	2721 4280 01 12	Assy Tube							1	1	1		1		1		L
9	2654 4281 01 20	Assy Tube	1		1	1	1	1	1								L
10	2654 4240 01 03	Load Concious Regulating Valve (LCRV)	1	1	1	1	1	1	1	1	1	1	1	1	1	1	
11	2721 4280 01 14	Assy Tube							1	1	1	1	1	1	1	1	
12	2654 4280 01 28	Assy Hose	1	1	1	1	1	1	1	1	1	1	1	1	1	1	
13	2651 4280 68 03	3 Way Union	1	1	1	1	1	1	1	1	1	1	1	1	1	1	
14	2654 4280 01 82	Assy Tube, Rear Wheel Cyl. LH	1	1	1	1	1	1	1								
14	2698 4280 01 51	Assy Tube, Rear Wheel Cyl. LH							1	1	1	1	1	1	1	1	
15	2698 4280 01 50	Assy Tube, Rear Wheel Cyl. RH	1	1	1	1	1	1	1								
15	2698 4280 01 50	Assy Tube, Rear Wheel Cyl. RH							1	1	1	1	1	1	1	1	
		VACUUM PUMP (ON ALTERNATOR) TO VACUUM BOOSTER															
16	2651 4350 58 01	Hose	1		1	1	1	1	1	1		1					L
17	1428 050020 9	Hose Clamp 20	2		2	2	2	2	2	2		2					

TABLE 46.1

STEERING LINKAGES

GROUP 46

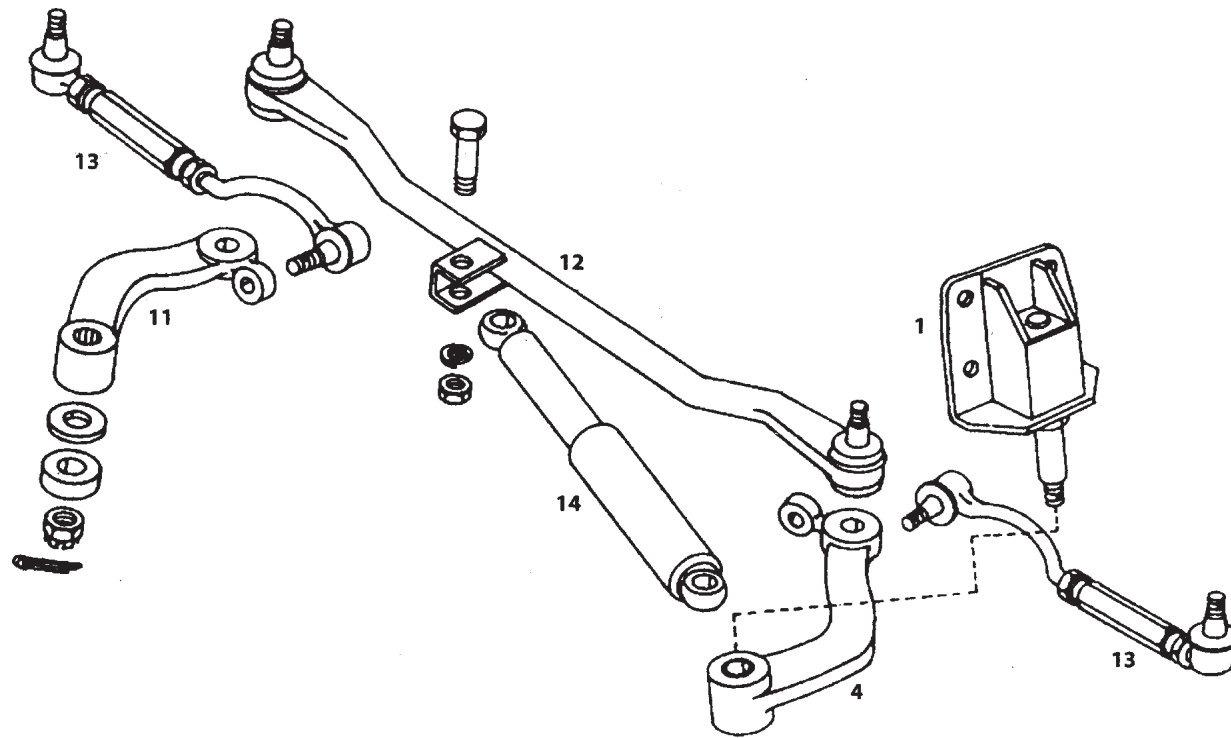


TABLE 46.1
STEERING LINKAGES
GROUP 46

FIG. NO.	PART NUMBER	DESCRIPTION	SINGLE CAB				CREW CAB				R/L	REMARKS							
			4 x 2		4 x 4		4 x 2		4 x 4										
			AC HD 1	AC HD 2	AC HD 3	HD 4	HD 5	AC HD 6	AC HD 7	AC HD 8			HD 9	AC HD 10	AC HD 11	AC HD 12	AC HD 13	HD 14	
		STEERING LINKAGES																	
1	2699 4630 01 19	Assy. Idler Arm Bracket RHD		1	1	1	1			1	1	1		1	1	1	1	R	
1	2699 4630 01 20	Assy. Idler Arm Bracket LHD	1		1	1	1	1	1	1	1	1		1		1		L	
4	2699 4630 01 23	Assy. Idler Arm with Bush RHD		1	1	1	1			1	1	1		1	1	1	1	R	
4	2699 4630 01 24	Assy. Idler Arm with Bush LHD	1		1	1	1	1	1	1	1	1		1		1		L	
	2654 4630 34 15	Bush (Idler Arm)	1	1	1	1	1	1	1	1	1	1	1	1	1	1	1		
	2699 4630 92 10	Thrust Washer (Idler Arm)	1	1	1	1	1	1	1	1	1	1	1	1	1	1	1		
	2654 4630 92 01	Thrust Washer (Idler Arm)	1	1	1	1	1	1	1	1	1	1	1	1	1	1	1		
	2654 4630 92 02	Washer (Idler Arm)	1	1	1	1	1	1	1	1	1	1	1	1	1	1	1		
	1706 160221 6	Oil Seal	2	2	2	2	2	2	2	2	2	2	2	2	2	2	2		
11	2699 4630 60 01	Pitman Arm RHD		1	1	1	1			1	1	1		1	1	1	1	R	
11	2699 4630 60 02	Pitman Arm LHD	1		1	1	1	1	1	1	1	1		1		1		L	
12	2704 4660 01 05	Assy. Centre Link	1	1	1	1	1	1	1	1	1	1	1	1	1	1	1		Optional
12	2704 4660 01 06	Assy. Centre Link	1	1	1	1	1	1	1	1	1	1	1	1	1	1	1		Optional
13	2699 4660 01 13	Assy. Tie Rod RH	1	1	1	1	1	1	1	1	1	1	1	1	1	1	1		Optional
13	2699 4660 01 22	Assy. Tie Rod RH	1	1	1	1	1	1	1	1	1	1	1	1	1	1	1		Optional
13	2699 4660 01 21	Assy. Tie Rod LH	1	1	1	1	1	1	1	1	1	1	1	1	1	1	1		Optional
13	2699 4660 01 14	Assy. Tie Rod LH	1	1	1	1	1	1	1	1	1	1	1	1	1	1	1		Optional
14	2704 4660 01 07	Steering Damper	1	1	1	1	1	1	1	1	1	1	1	1	1	1	1		

TABLE 46.2

STEERING WHEEL AND MOUNTING

GROUP 46

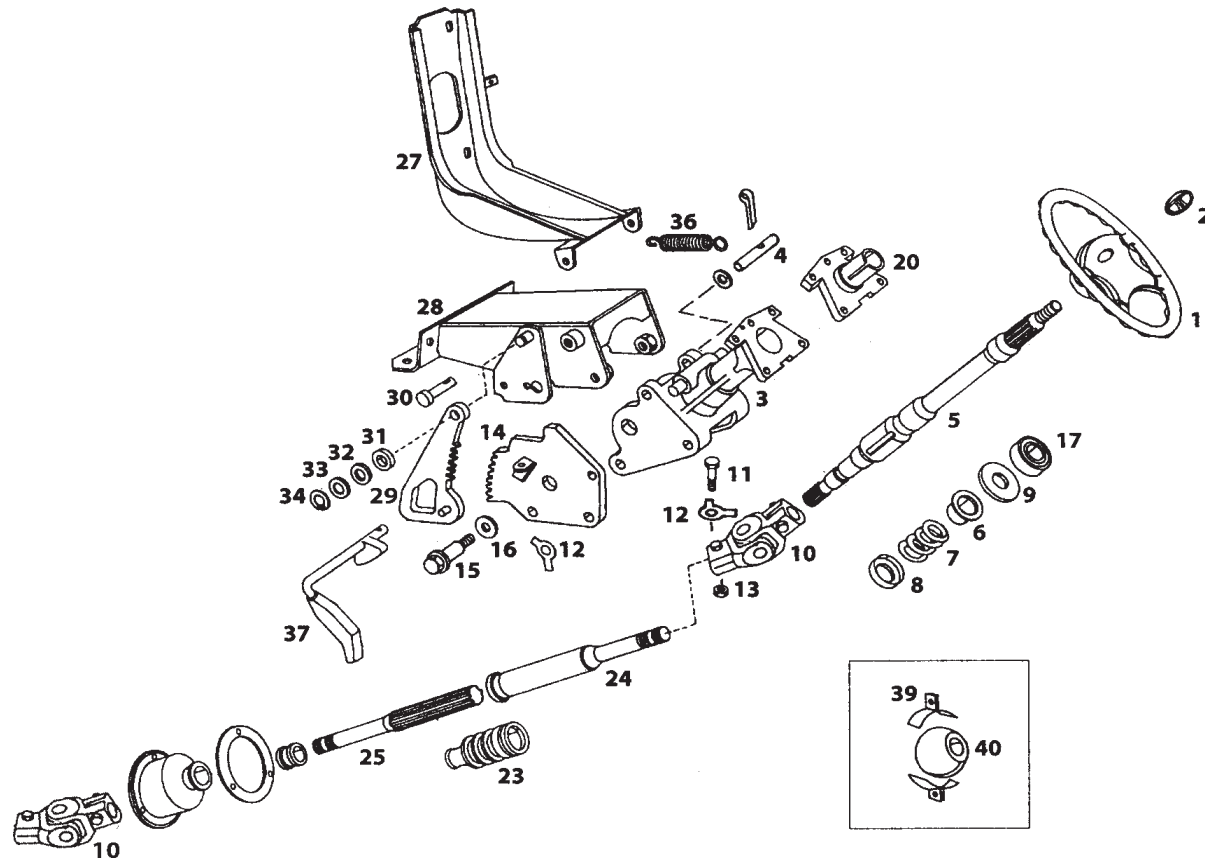


TABLE 46.2
STEERING WHEEL AND MOUNTING
GROUP 46

FIG. NO.	PART NUMBER	DESCRIPTION	SINGLE CAB						CREW CAB						R/L	REMARKS		
			4 x 2				4 x 4		4 x 2				4 x 4					
			AC HD 1	AC HD 2	AC HD 3	HD 4	HD 5	AC HD 6	AC HD 7	AC HD 8	HD 9	AC HD 10	AC HD 11	AC HD 12			AC HD 13	HD 14
		STEERING WHEEL AND MOUNTING																
1	2698 4640 01 08	Assy. Steering Wheel (380 mm Dia.)	1	1	1	1	1	1	1	1	1	1	1	1	1	1		
2	2654 4640 63 12	T' Emblem	1	1	1	1	1	1	1	1	1	1	1	1	1	1		
3	2654 4610 01 01	Assy. Tilting Steering Column	1	1	1	1	1	1	1	1	1	1	1	1	1	1		
4	2654 4620 67 06	Pin (Return Spring)	2	2	2	2	2	2	2	2	2	2	2	2	2	2		
5	2658 4620 01 47	Assy. Steering Spindle Top	1	1	1	1	1	1	1	1	1	1	1	1	1	1		
6	2654 4620 99 15	Spring Seat	1	1	1	1	1	1	1	1	1	1	1	1	1	1		
7	2654 4620 87 11	Compression Spring	1	1	1	1	1	1	1	1	1	1	1	1	1	1		
9	1458 060420 1	Internal Circlip 42 X 1.75	1	1	1	1	1	1	1	1	1	1	1	1	1	1		
8	2654 4620 82 78	Spring Seat Cup	1	1	1	1	1	1	1	1	1	1	1	1	1	1		
10	2651 4660 01 02	Assy. Universal Joint	2	2	2	2	2	2	2	2	2	2	2	2	2	2		
11	2654 4660 32 01	Bolt	2	2	2	2	2	2	2	2	2	2	2	2	2	2		
12	1258 060084 9	Tab Washer 8.4	2	2	2	2	2	2	2	2	2	2	2	2	2	2		
13	1214 050080 0	Nyloc Nut M8	2	2	2	2	2	2	2	2	2	2	2	2	2	2		
14	2654 4620 01 62	Assy. Ratchet	1	1	1	1	1	1	1	1	1	1	1	1	1	1		
15	2654 4620 01 37	Bolt with Nylon Insert	2	2	2	2	2	2	2	2	2	2	2	2	2	2		
16	2654 4620 92 02	Washer	4	4	4	4	4	4	4	4	4	4	4	4	4	4		
17	2640 4620 31 02	SRDG Bearing	1	1	1	1	1	1	1	1	1	1	1	1	1	1		
20	2658 4620 35 04	Boss (for Combi Switch Mounting)	1	1	1	1	1	1	1	1	1	1	1	1	1	1		
23	2658 4620 63 06	Rubber Bellow	1	1	1	1	1	1	1	1	1	1	1	1	1	1		

TABLE 46.2

STEERING WHEEL AND MOUNTING

GROUP 46

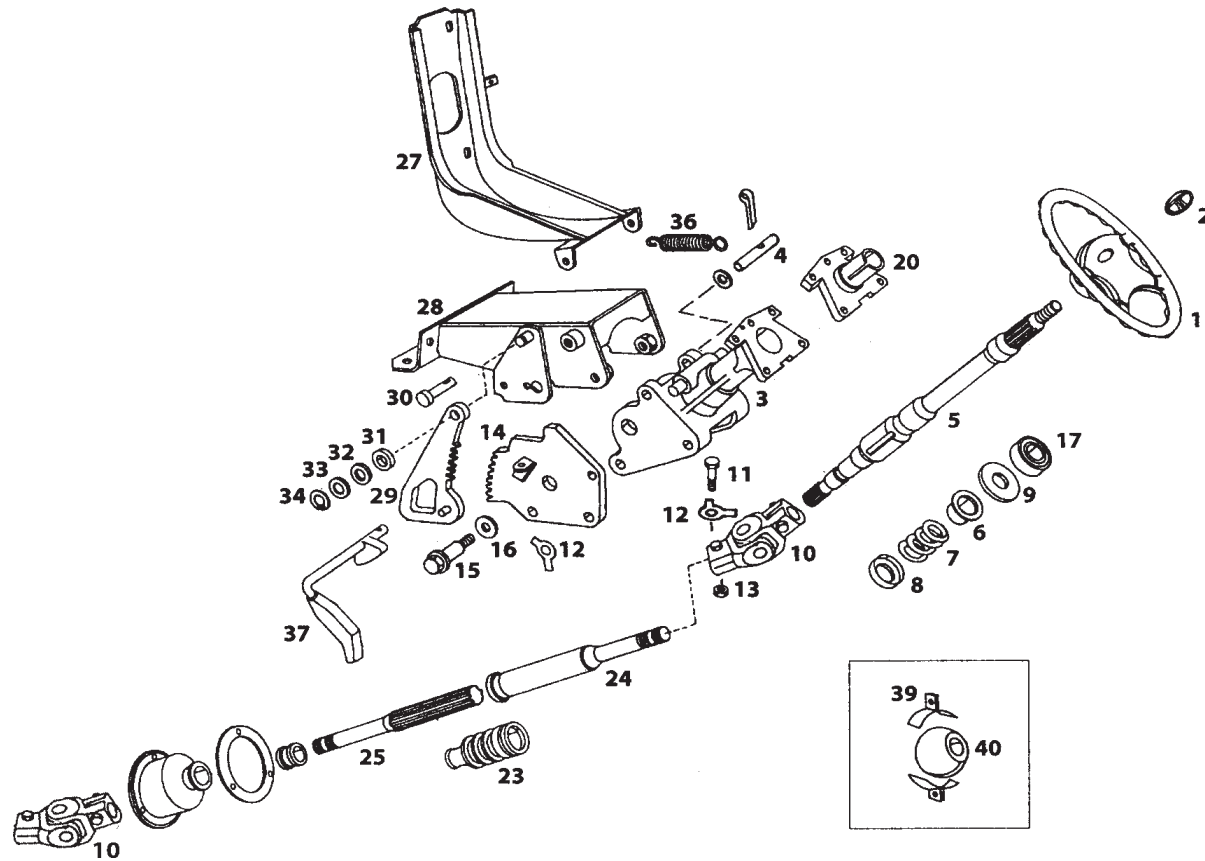


TABLE 46.2
STEERING WHEEL AND MOUNTING
GROUP 46

FIG. NO.	PART NUMBER	DESCRIPTION	SINGLE CAB						CREW CAB						R/L	REMARKS	
			4 x 2			4 x 4			4 x 2			4 x 4					
			AC HD 1	AC HD 2	AC HD 3	HD 4	HD 5	AC HD 6	AC HD 7	AC HD 8	HD 9	AC HD 10	AC HD 11	AC HD 12			AC HD 13
24	2654 4620 01 84	Assy. Steering Spindle Sleeve (Middle)	1	1	1	1	1	1	1	1	1	1	1	1	1		
25	2654 4620 79 41	Steering Spindle Bottom	1	1	1	1	1	1	1	1	1	1	1	1	1		
27	2654 4620 01 98	Assy. Stay Bracket RHD		1	1	1	1		1	1	1		1	1	1	R	
27	2654 4620 01 99	Assy. Stay Bracket LHD	1		1	1	1	1	1	1	1		1		1	L	
28	2659 4620 01 24	Assy. Bracket, Steering Column Mounting	1	1	1	1	1	1	1	1	1	1	1	1	1		
29	2654 4621 01 07	Sub Assy. Pawl with Boss	1	1	1	1	1	1	1	1	1	1	1	1	1		
30	2654 4620 67 04	Pin	1	1	1	1	1	1	1	1	1	1	1	1	1		
31	1415 070160 1	Disc Spring B 16	1	1	1	1	1	1	1	1	1	1	1	1	1		
32	1246 050084 1	Bright Washer 8.4	AR	AR	AR	AR	AR	AR	AR	AR	AR	AR	AR	AR	AR		
33	2654 4620 92 03	Washer (1.25 mm Thk)	AR	AR	AR	AR	AR	AR	AR	AR	AR	AR	AR	AR	AR		
34	1455 080070 6	Circlip E 7.0 X 0.9	1	1	1	1	1	1	1	1	1	1	1	1	1		
-	2654 4620 63 15	Bush (Cam Pivot)	1	1	1	1	1	1	1	1	1	1	1	1	1		
36	2654 4620 87 04	Tension Spring	3	3	3	3	3	3	3	3	3	3	3	3	3		
37	2654 4620 01 91	Assy. Handle	1	1	1	1	1	1	1	1	1	1	1	1	1		
39	2660 4620 82 04	Bracket, Spherical Support (Steering Spindle)	1	1	1	1	1	1	1	1	1	1	1	1	1		
40	2660 4620 31 02	Sphrical Support, Steering Spindle	1	1	1	1	1	1	1	1	1	1	1	1	1		
--	2704 4620 32 02	Hex Bolt M12X140	3	3	3	3	3	3	3	3	3	3	3	3	3		

TABLE 46.3

POWER STEERING AGGREGATES

GROUP 46

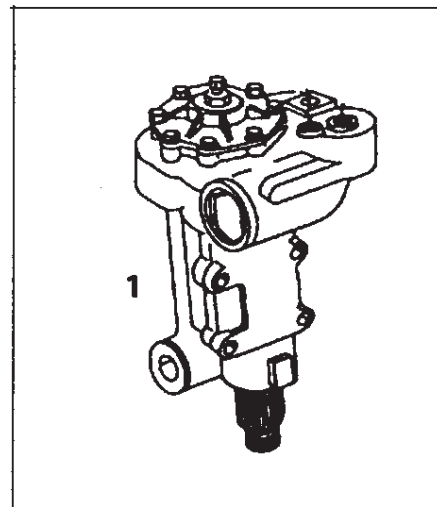
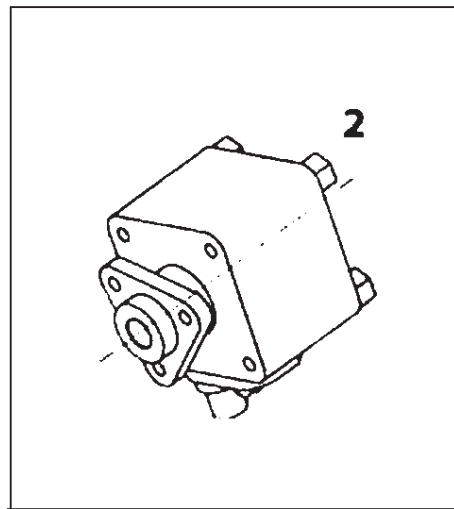
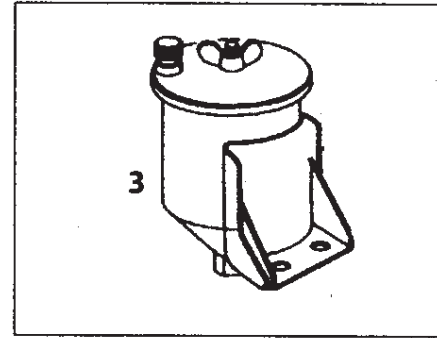
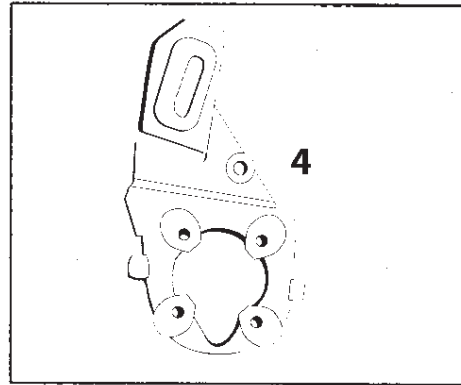


TABLE 46.3

POWER STEERING AGGREGATES

GROUP 46

FIG. NO.	PART NUMBER	DESCRIPTION	SINGLE CAB						CREW CAB						R/L	REMARKS	
			4 x 2				4 x 4		4 x 2				4 x 4				
			AC HD 1	AC HD 2	AC HD 3	HD 4	HD 5	AC HD 6	AC HD 7	AC HD 8	HD 9	AC HD 10	AC HD 11	AC HD 12			AC HD 13
		POWER STEERING AGGREGATES															
1	2659 4620 01 69	Assy. Power Steering Gearbox (ZF) RHD	1	1	1	1	1	1	1	1	1	1	1	1	1	1	R
1	2659 4620 01 68	Assy. Power Steering Gearbox (ZF) LHD	1	1	1	1	1	1	1	1	1	1	1	1	1	1	L
2	2699 4660 02 43	Assy. Power Steering Pump (ZF)	1	1	1	1	1	1	1	1	1	1	1	1	1	1	
3	2699 4660 01 81	Assy. Power Steering Tank (ZF)	1	1	1	1	1	1	1	1	1	1	1	1	1	1	
4	2547 2311 37 13	Bracket, Alternator & ZF Power Steering Pump Mounting	1	1	1	1	1	1	1	1	1	1	1	1	1	1	

TABLE 46.4

POWER STEERING PIPE LINES RHD

GROUP 46

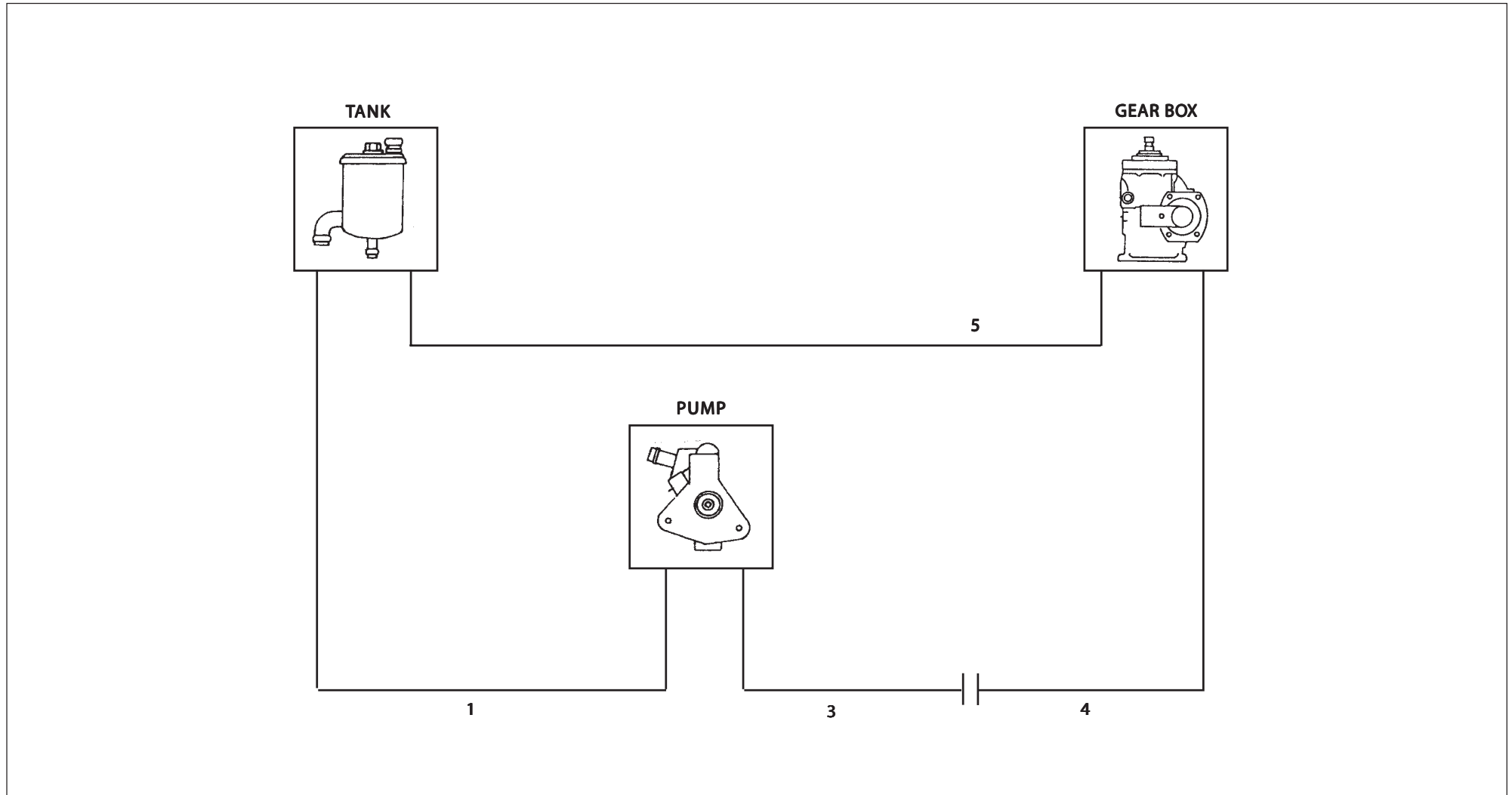


TABLE 46.4

POWER STEERING PIPE LINES RHD

GROUP 46

FIG. NO.	PART NUMBER	DESCRIPTION	SINGLE CAB				CREW CAB						R/L	REMARKS					
			4 x 2		4 x 4		4 x 2			4 x 4									
			AC HD 1	AC HD 2	AC HD 3	HD 4	HD 5	AC HD 6	AC HD 7	AC HD 8	HD 9	AC HD 10			AC HD 11	AC HD 12	AC HD 13	HD 14	
		POWER STEERING PIPE LINES RHD																	
		TANK TO PUMP																	
1	2721 4680 01 13	Assy. Hose (Tank to Pump)		1	1	1	1			1	1	1		1	1	1	1	R	
		PUMP TO GEARBOX																	
3	2721 4680 01 14	Assy. Hose (Pump to Gearbox) 1st Pipe		1	1	1	1			1	1	1		1	1	1	1	R	
4	2721 4680 01 15	Assy. Hose (Pump to Gearbox) 2nd Pipe		1	1	1	1			1	1	1		1	1	1	1	R	
		GEARBOX TO TANK																	
5	2721 4680 01 16	Assy. Hose (Gearbox to Tank)		1	1	1	1			1	1	1		1	1	1	1	R	

TABLE 46.5

POWER STEERING PIPE LINES LHD

GROUP 46

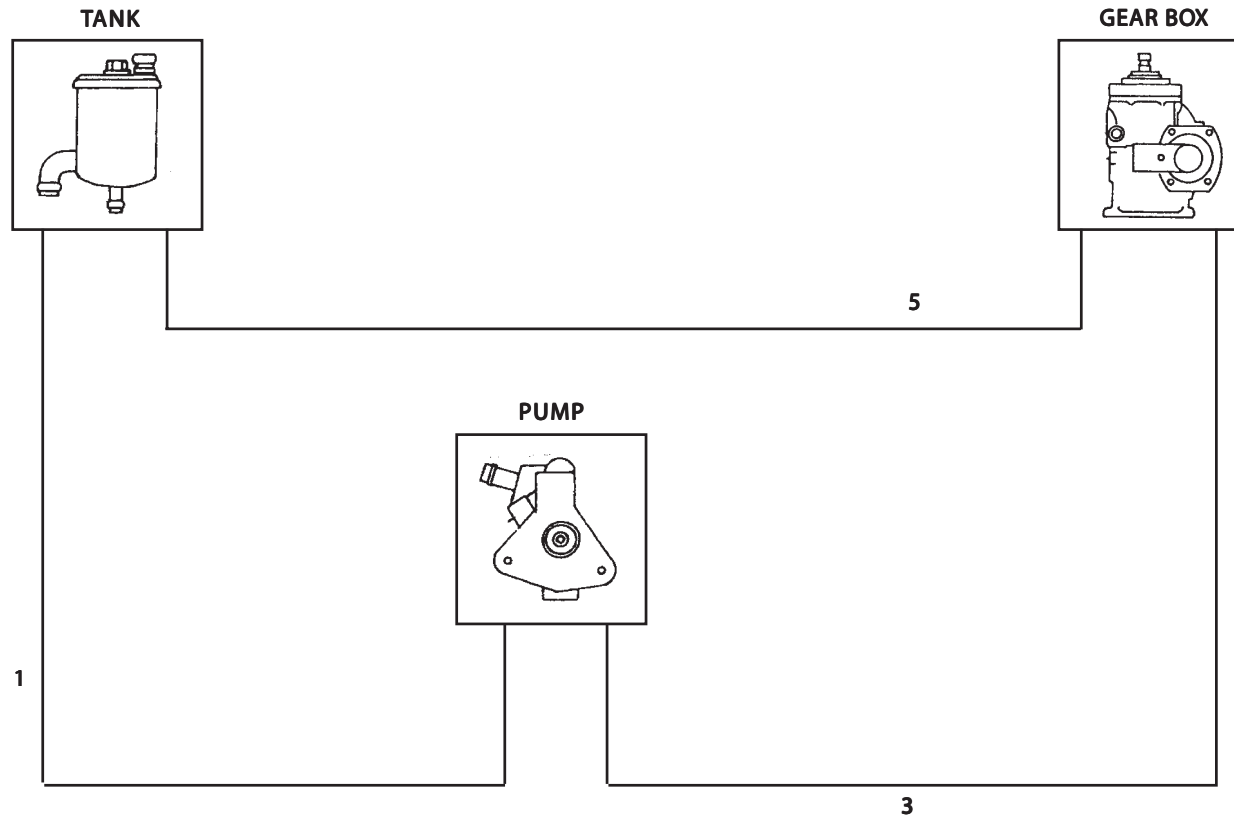


TABLE 46.5

POWER STEERING PIPE LINES LHD

GROUP 46

FIG. NO.	PART NUMBER	DESCRIPTION	SINGLE CAB				CREW CAB						R/L	REMARKS			
			4 x 2		4 x 4		4 x 2			4 x 4							
			AC HD 1	AC HD 2	AC HD 3	HD 4	HD 5	AC HD 6	AC HD 7	AC HD 8	HD 9	AC HD 10			AC HD 11	AC HD 12	AC HD 13
		POWER STEERING PIPE LINES LHD															
		TANK TO PUMP															
1	2653 4680 01 01	Assy.Hose (Tank to Pump)	1		1	1	1	1	1	1	1		1		1		L
		PUMP TO GEARBOX															
3	2653 4680 01 02	Assy.Hose (Pump to Gearbox)	1		1	1	1	1	1	1	1		1		1		L
		GEARBOX TO TANK															
5	2704 4680 01 06	Assy.Hose (Gearbox to Tank)	1		1	1	1	1	1	1	1		1		1		L

TABLE 47.1

FUEL SYSTEM

GROUP 47

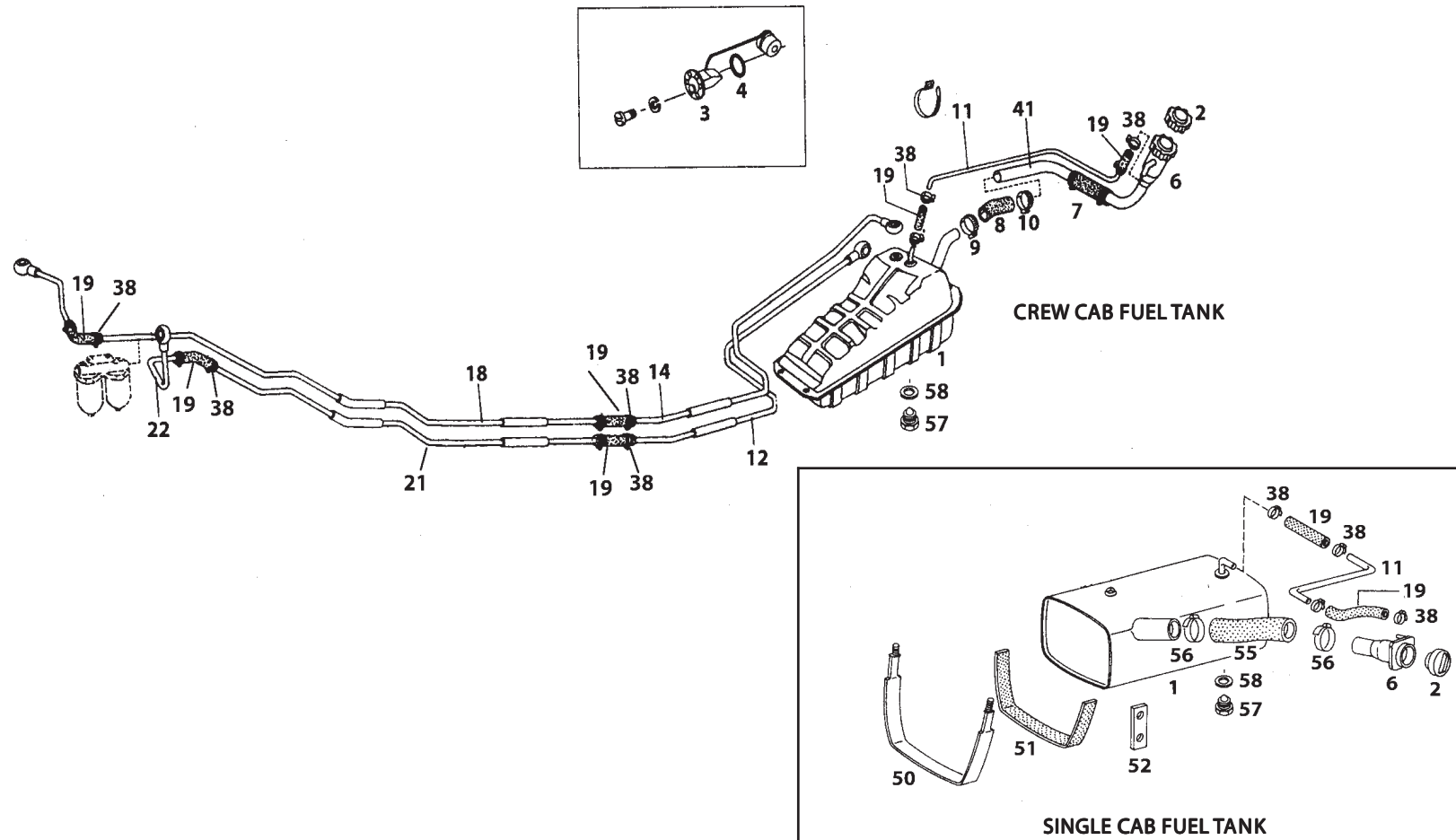


TABLE 47.1
FUEL SYSTEM
GROUP 47

FIG. NO.	PART NUMBER	DESCRIPTION	SINGLE CAB							CREW CAB							R/L	REMARKS
			4 x 2				4 x 4			4 x 2				4 x 4				
			AC HD 1	AC HD 2	AC HD 3	HD 4	HD 5	AC HD 6	AC HD 7	AC HD 8	HD 9	AC HD 10	AC HD 11	AC HD 12	AC HD 13	HD 14		
		FUEL SYSTEM																
1	2654 4710 01 87	Assy. Fuel Tank Complete	1	1		1	1	1	1									
1	2701 4710 01 36	Assy. Fuel Tank Complete								1	1	1	1	1	1	1		
1	2654 4710 01 87	Assy. Fuel Tank Complete				1												28 WB
1	2701 4710 01 36	Assy. Fuel Tank Complete				1												31 WB
2	2820 4710 01 01	Assy. Fuel Tank Cap (Plastic)		1	1	1	1	1	1	1	1	1	1	1	1	1		
2	2698 4710 01 20	Assy. Fuel Tank Cap (Metallic)	1	1	1	1	1	1	1	1	1	1	1	1	1			
	2654 4710 01 56	Assy. Suction Tube with Screen Filter	1	1	1	1	1	1	1									} For Assy. Fuel Tank 2654 4910 01 87
	2658 4710 01 09	Assy. Suction Tube with Screen Filter				1				1	1	1	1	1	1		} For Assy. Fuel Tank 2701 4910 01 36	
3	2654 5420 99 85	Tank Unit (for Fuel Tank)	1	1	1	1	1	1	1									} For Assy. Fuel Tank 2654 4910 01 87
3	2658 5420 99 06	Tank Unit (for Fuel Tank)				1				1	1	1	1	1	1			} For Assy. Fuel Tank 2701 4910 01 36
4	1705 050130 2	'O' Ring 40.9x2.65	1	1	1	1	1	1	1	1	1	1	1	1	1			
6	2654 4710 01 89	Assy. Filler Neck Top with Bracket (for Plastic Cap)		1	1	1	1	1	1									Optional
6	2654 4710 01 80	Assy. Filler Neck Top with Bracket (for Metallic Cap)	1	1	1	1	1	1	1									Optional
6	2701 4710 01 42	Assy. Filler Neck Top with Bracket (for Plastic Cap)								1	1	1	1	1	1	1		
7	2701 4710 77 07	Rubber Hose (Fuel Filling)				1				1	1	1	1	1	1			

TABLE 47.1

FUEL SYSTEM

GROUP 47

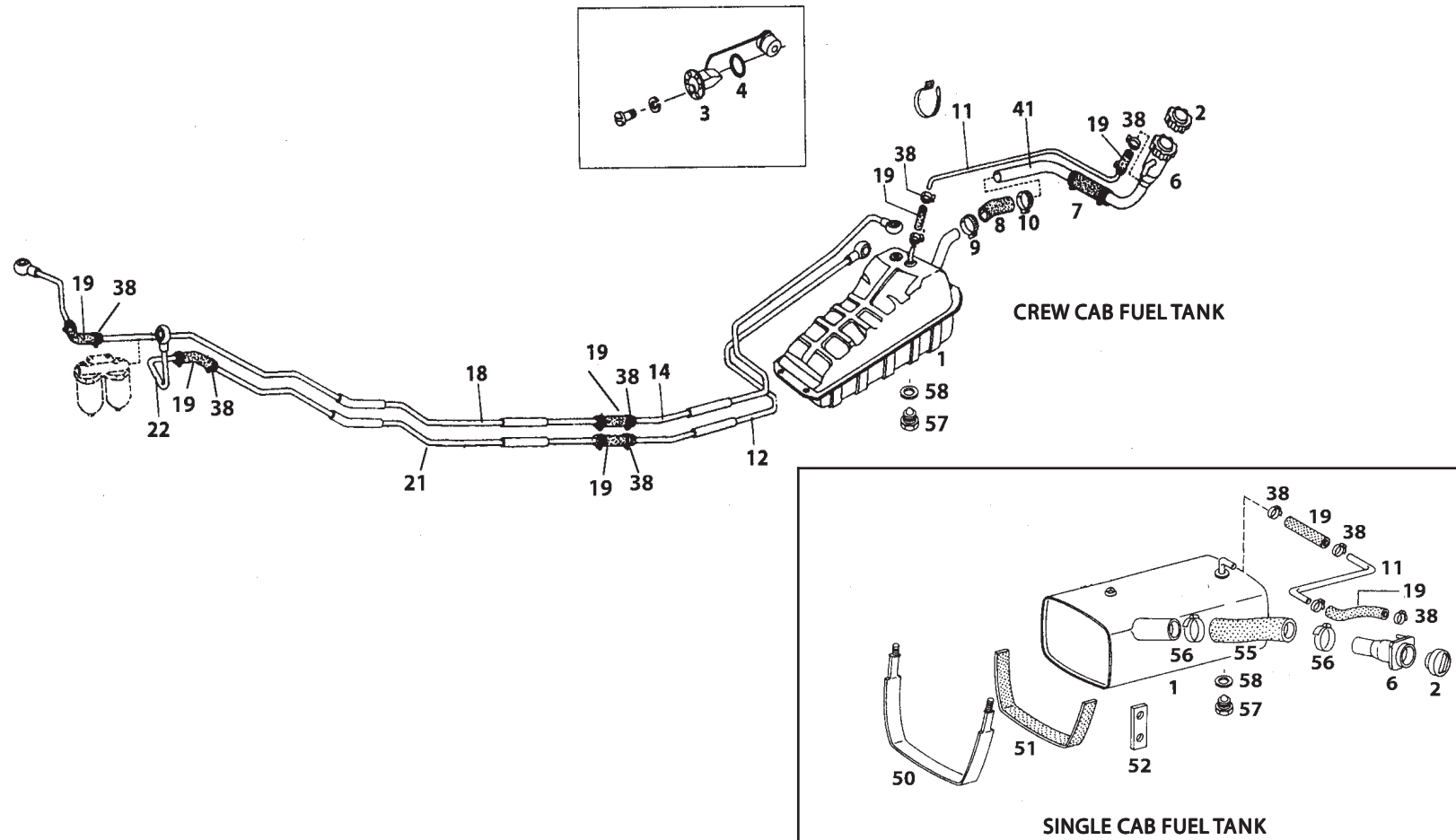


TABLE 47.1
FUEL SYSTEM
GROUP 47

FIG. NO.	PART NUMBER	DESCRIPTION	SINGLE CAB							CREW CAB							R/L	REMARKS
			4 x 2				4 x 4			4 x 2				4 x 4				
			AC HD 1	AC HD 2	AC HD 3	HD 4	HD 5	AC HD 6	AC HD 7	AC HD 8	HD 9	AC HD 10	AC HD 11	AC HD 12	AC HD 13	HD 14		
8	2701 4710 77 08	Rubber Hose (Fuel Filling)			1					1	1	1	1	1	1	1		
9	2701 4710 82 26	Clamp (Fuel Filling Pipe)			1					1	1	1	1	1	1	1		
10	1428 050060 8	Hose Clamp 60	4	4	4	4	4	4	4	4	4		4	4	4	4		
11	2654 4710 01 76	Assy. Breather Tube	1	1	1	1	1	1	1									
11	2721 4760 01 03	Assy. Breather Tube			1					1	1	1	1	1	1	1		
19	312 476 00 26	Rubber Hose	2	2	2	2	2	2	2	2	2	2	2	2	2	2		
38	1428 050016 1	Hose Clip 16	4	4	4	4	4	4	4	4	4	4	4	4	4	4		
41	2701 4710 01 31	Assy. Pipe (Fuel Filling)			1					1	1	1	1	1	1	1		
	2701 4710 82 31	Bracket			1					1	1	1	1	1	1	1		
		SUPPLY LINE																
12	2653 4760 01 01	Assy. Suction Line (Tank to Hose), 1st Pipe		1	1	1	1	1	1								28 WB	
12	2658 4760 01 04	Assy. Suction Line (Tank to Hose), 1st Pipe										1					31 WB	
12	2721 4760 01 01	Assy. Suction Line (Tank to Hose), 1st Pipe			1					1	1		1	1	1	1	31 WB	
12	2701 4760 69 01	Assy. Suction Line (Tank to Hose), 1st Pipe				1											31 WB	
12	2654 4760 01 22	Assy. Suction Line (Tank to Hose), 1st Pipe	1														28 WB	
19	312 476 00 26	Rubber Hose	1	1	1	1	1	1	1	1	1	1	1	1	1	1		
38	1427 020170 0	Hose Clip 17	2	2	2	2	2	2	2	2	2	2	2	2	2	2		
21	2653 4760 69 01	Suction Tube, 2nd Pipe		1	1	1	1	1	1								28 WB	
21	2653 4760 69 01	Suction Tube, 2nd Pipe								1	1		1	1	1	1	31 WB	
21	2701 4760 69 01	Suction Tube, 2nd Pipe										1					31 WB	

TABLE 47.1

FUEL SYSTEM

GROUP 47

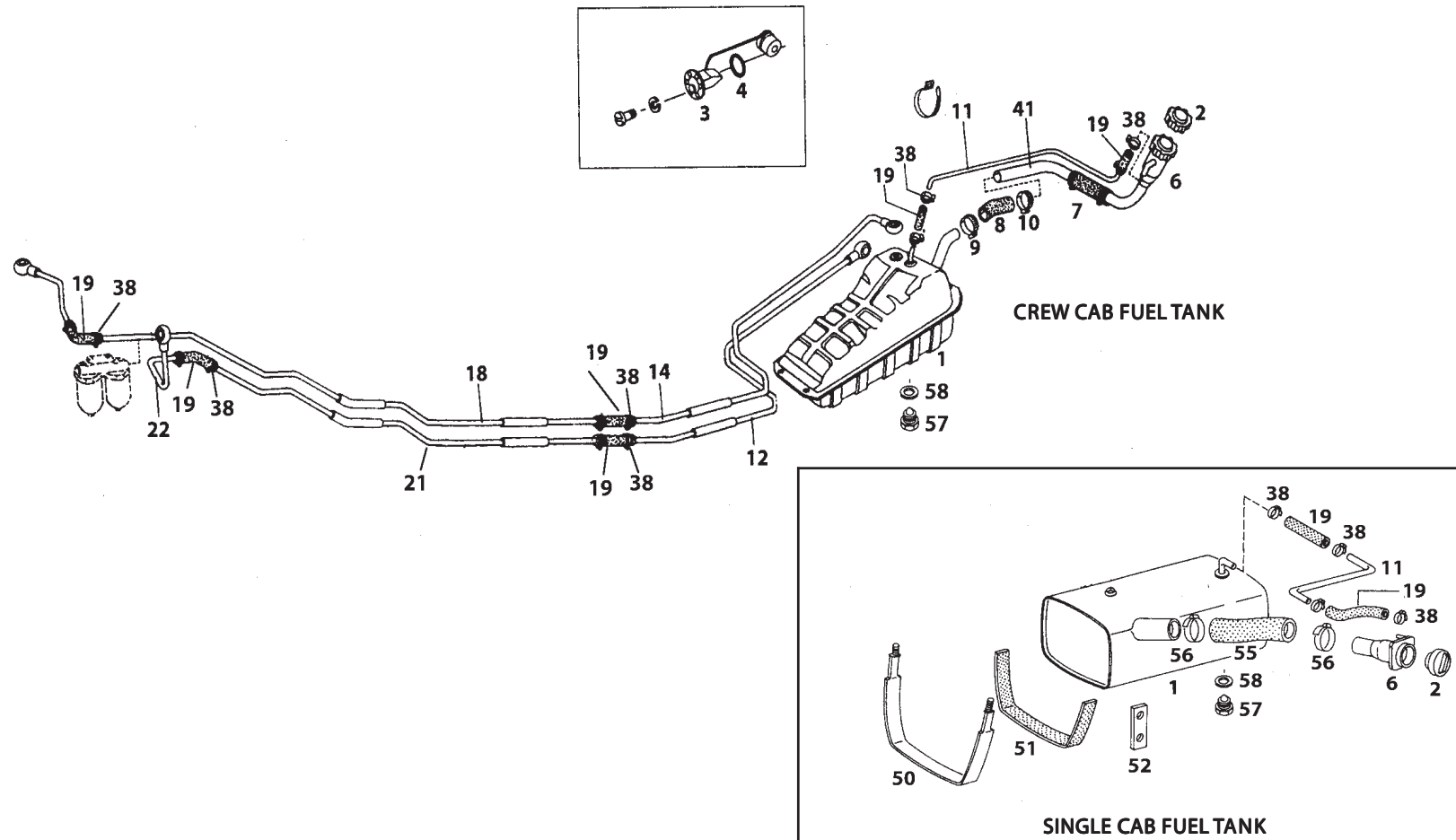


TABLE 47.1

FUEL SYSTEM

GROUP 47

FIG. NO.	PART NUMBER	DESCRIPTION	SINGLE CAB								CREW CAB						R/L	REMARKS	
			4 x 2				4 x 4				4 x 2			4 x 4					
			AC HD 1	AC HD 2	AC HD 3	HD 4	HD 5	AC HD 6	AC HD 7	AC HD 8	HD 9	AC HD 10	AC HD 11	AC HD 12	AC HD 13	HD 14			
21	2653 4760 69 01	Suction Tube, 2nd Pipe	1																28 WB
21	2653 4760 69 01	Suction Tube, 2nd Pipe				1													31 WB
19	312 476 00 26	Rubber Hose	1	1	1	1	1	1	1	1	1	1	1	1	1				
38	1428 050016 1	Hose Clip 16	2	2	2	2	2	2	2	2	2	2	2	2	2				
22	2654 4760 01 01	Assy. Suction Pipe (Hose to Filter), 3rd Pipe		1	1	1	1	1	1			1							28 WB
22	2659 4760 01 26	Assy. Suction Pipe (Hose to Filter), 3rd Pipe			1					1	1		1	1	1				31 WB
22	2654 4760 01 01	Assy. Suction Pipe (Hose to Filter), 3rd Pipe	1			1													31 WB
RETURN LINE																			
19	312 476 00 26	Rubber Hose	1	1	1	1	1	1	1	1	1	1	1	1	1				
38	1428 050016 1	Hose Clip 16	2	2	2	2	2	2	2	2	2	2	2	2	2				
18	2653 4760 69 02	Return Line, 1st Pipe	1	1	1	1	1	1	1	1		1	1	1	1				
18	2701 4760 69 02	Return Line, 1st Pipe			1							1							31 WB
19	312 476 00 26	Rubber Hose	1	1	1	1	1	1	1	1	1	1	1	1	1				
38	1428 050016 1	Hose Clip 16	2	2	2	2	2	2	2	2	2	2	2	2	2				
14	2653 4760 01 02	Assy. Return Tube (Hose to Tank)		1	1	1	1	1	1										28 WB
14	2658 4760 01 03	Assy. Return Tube (Hose to Tank)										1							31 WB
14	2721 4760 01 02	Assy. Return Tube (Hose to Tank)			1					1	1		1	1	1				31 WB
14	2701 4760 69 02	Assy. Return Tube (Hose to Tank)				1													31 WB
14	2654 4760 01 21	Assy. Return Tube (Hose to Tank)	1																28 WB
50	2654 4750 01 11	Assy. Strap	2	2	2	2	2	2	2										

TABLE 47.1

FUEL SYSTEM

GROUP 47

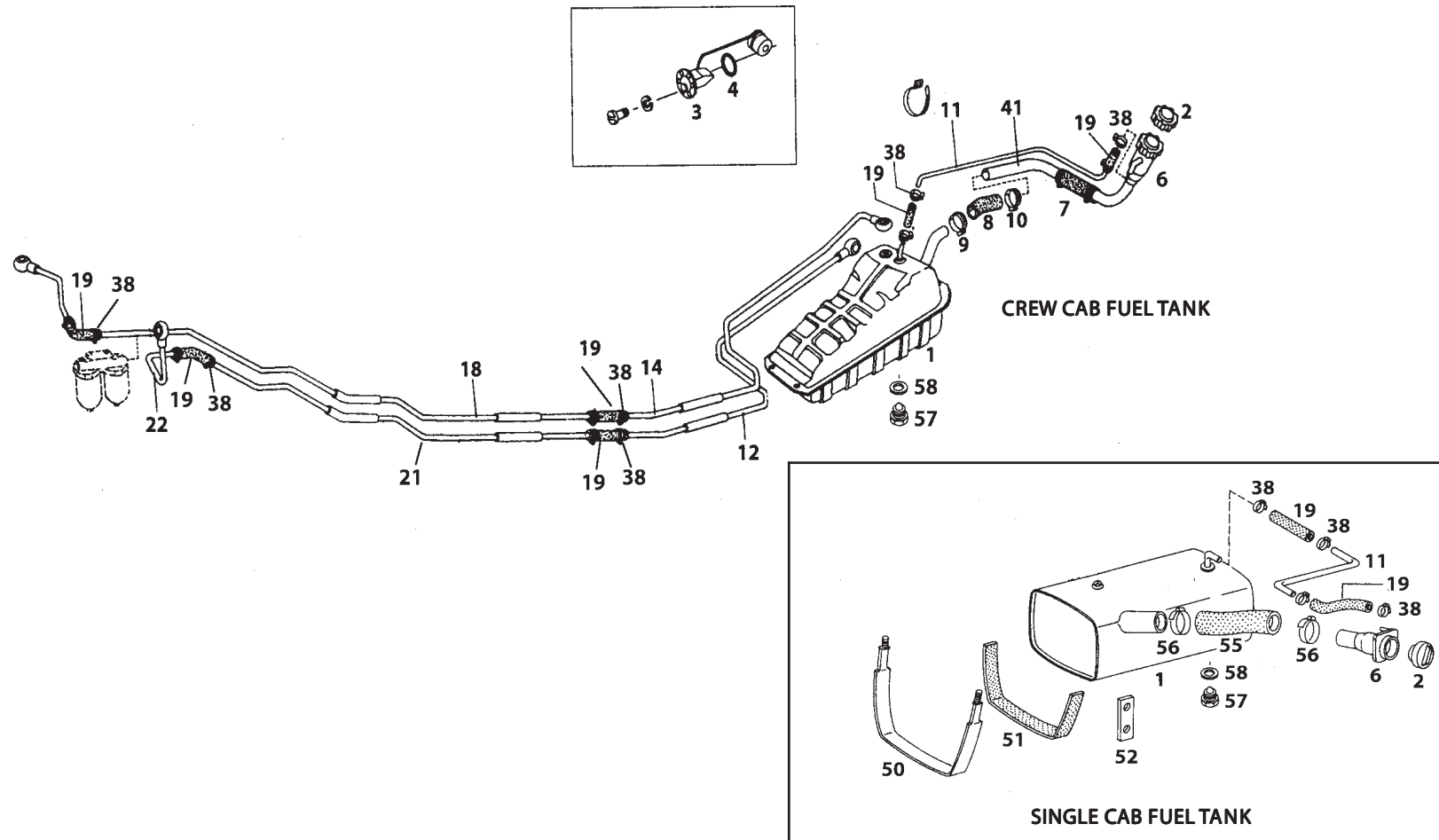


TABLE 47.1

FUEL SYSTEM

GROUP 47

FIG. NO.	PART NUMBER	DESCRIPTION	SINGLE CAB						CREW CAB						R/L	REMARKS	
			4 x 2				4 x 4		4 x 2				4 x 4				
			AC HD 1	AC HD 2	AC HD 3	HD 4	HD 5	AC HD 6	AC HD 7	AC HD 8	HD 9	AC HD 10	AC HD 11	AC HD 12			AC HD 13
51	2654 4750 77 10	Rubber Packing	2	2	2	2	2	2									
52	2654 4750 77 06	Rubber Packing	4	4	4	4	4	4									
55	2654 4710 77 23	Hose (Fuel Filling)	1	1	1	1	1	1									
56	1428 050060 8	Hose Clamp 60	2	2	2	2	2	2									
57	1608 100180 8	Sealing Plug AM 18 x 1.5	1	1	1	1	1	1	1	1	1	1	1	1	1		
58	1622 071028 2	Sealing Washer 18 x 22	1	1	1	1	1	1	1	1	1	1	1	1	1		

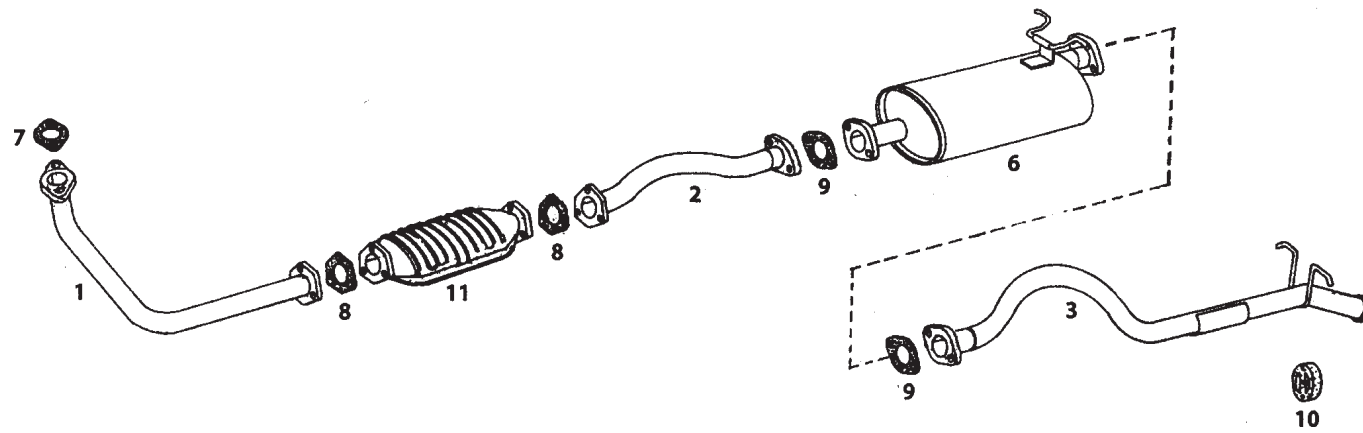


TABLE 49.1
EXHAUST SYSTEM
GROUP 49

FIG. NO.	PART NUMBER	DESCRIPTION	SINGLE CAB							CREW CAB							R/L	REMARKS	
			4 x 2				4 x 4			4 x 2				4 x 4					
			AC HD 1	AC HD 2	AC HD 3	HD 4	HD 5	AC HD 6	AC HD 7	AC HD 8	HD 9	AC HD 10	AC HD 11	AC HD 12	AC HD 13	HD 14			
		EXHAUST SYSTEM																	
1	2660 4920 01 28	Assy. Exhaust Pipe, Front (1st Pipe)	1	1	1	1	1	1	1	1	1	1	1	1	1	1			Euro II
1	2721 4920 01 24	Assy. Exhaust Pipe, Front (1st Pipe)			1	1	1		1	1	1		1	1		1			Euro III
2	2653 4920 01 15	Assy. Exhaust Pipe, Middle (2nd Pipe)	1	1		1	1	1	1										Euro II, 28 WB
2	2721 4920 01 05	Assy. Exhaust Pipe, Middle (2nd Pipe)			1					1	1	1	1	1	1				Euro II, 31 WB
2	2653 4920 01 27	Assy. Exhaust Pipe, Middle (2nd Pipe)			1	1	1		1										Euro III, 28 WB
2	2721 4920 01 25	Assy. Exhaust Pipe, Middle (2nd Pipe)				1				1	1		1	1		1			Euro III, 31 WB
6	2698 4910 01 05	Assy. Silencer	1	1	1	1	1	1	1	1	1	1	1	1	1	1	1	1	
3	2653 4920 01 14	Assy. Exhaust Pipe, Rear		1		1													Euro II
3	2721 4920 01 27	Assy. Exhaust Pipe, Rear	1		1		1	1	1	1	1	1		1	1				Euro II
3	2721 4920 01 29	Assy. Exhaust Pipe, Rear			1	1	1		1	1	1		1	1		1			Euro III
7	2654 4910 53 01	Gasket (Turbo Manifold)	1	1	1	1	1	1	1	1	1	1	1	1	1	1	1	1	
8	2658 4920 53 07	Gasket (Catalytic Converter)	2	2	2	2	2	2	2	2	2	2		2	2				Euro II
8	2699 4920 01 79	Gasket (Catalytic Converter)			2	2	2		2	2	2		2	2		2			Euro III
9	2654 4920 53 01	Gasket	2	2	2	2	2	2	2	2	2	2	2	2	2	2	2	2	
10	2698 4920 77 02	Rubber Hanger	6	6	6	6	6	6	6	6	6	6	6	6	6	6	6	6	
11	2547 4910 01 09	Assy. Catalytic Converter	1	1	1	1	1	1	1	1	1	1		1	1				Euro II
11	2547 4910 01 22	Assy. Catalytic Converter			1	1	1		1	1	1		1	1		1			Euro III
	2704 4910 01 05	Assy. Pre Silencer							1	1									Euro II

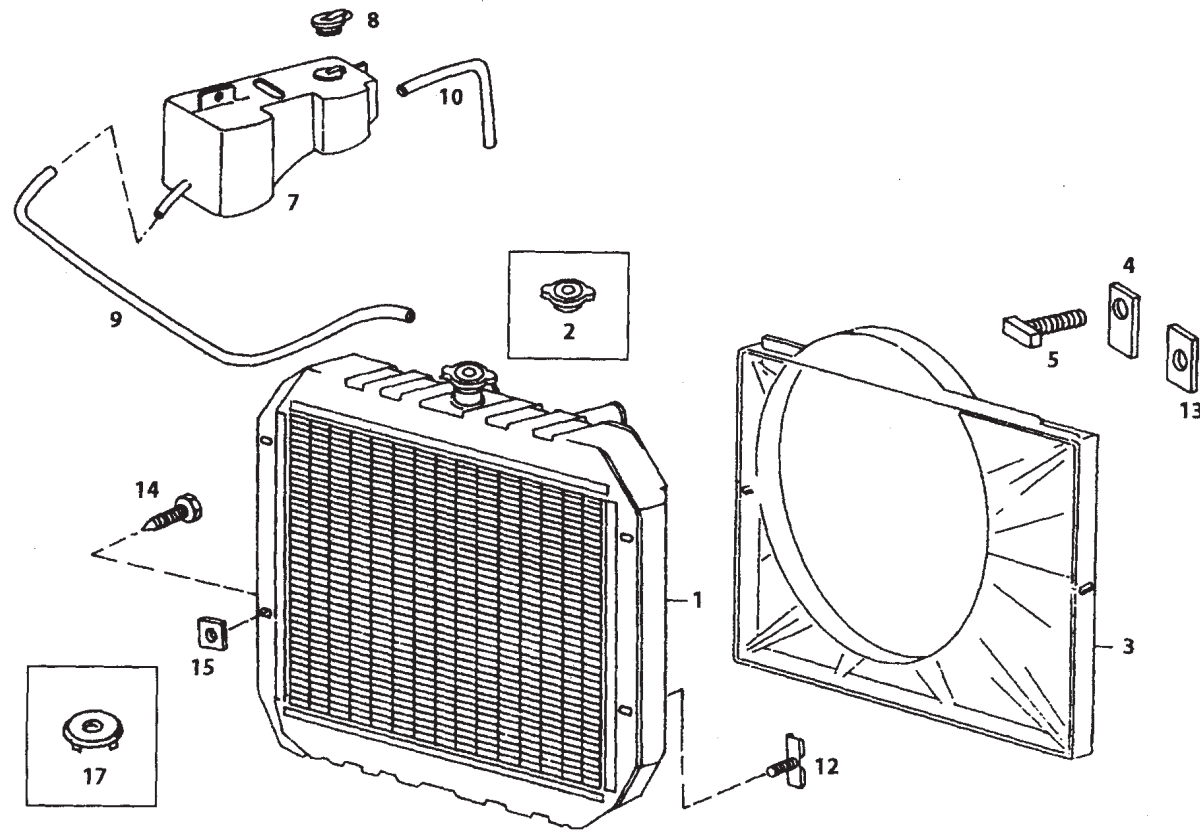


TABLE 50.1
RADIATOR
GROUP 50

FIG. NO.	PART NUMBER	DESCRIPTION	SINGLE CAB				CREW CAB				R/L	REMARKS								
			4 x 2		4 x 4		4 x 2		4 x 4											
			AC HD 1	AC HD 2	AC HD 3	HD 4	HD 5	AC HD 6	AC HD 7	AC HD 8			HD 9	AC HD 10	AC HD 11	AC HD 12	AC HD 13	HD 14		
		RADIATOR																		
1	2547 5010 02 56	Assy Radiator	1	1	1	1	1	1	1	1	1	1	1	1	1	1	1			
1	2547 5010 01 95	Assy Radiator				1														Euro III
2	2547 5010 99 24	Pressure Cap	1	1	1	1	1	1	1	1	1	1	1	1	1	1	1			
2	2547 5010 01 11	Pressure Cap				1														Euro III
3	2547 5050 01 21	Assy Fan Shroud				1	1											1		Euro III
3	2547 5050 01 63	Assy Fan Shroud	1	1	1	1	1	1	1	1	1	1	1	1	1	1	1			
4	2547 5010 42 04	Clamp.	2	2	2	2	2	2	2	2	2	2	2	2	2	2	2			
5	2547 5010 32 01	T-bolt	2	2	2	2	2	2	2	2	2	2	2	2	2	2	2			
7	2547 5010 63 08	Auxilliary Water Tank	1	1	1	1	1	1	1	1	1	1	1	1	1	1	1			
8	2547 5010 63 05	Cap (Aux Water Tank)	1	1	1	1	1	1	1	1	1	1	1	1	1	1	1			
9	2547 5010 69 23	Pipe (Auxilliary Tank To Rad)(1540 Mm)	1	1	1	1	1	1	1	1	1	1	1	1	1	1	1			
10	2547 5010 69 05	Pipe (650 Mm)	1	1	1	1	1	1	1	1	1	1	1	1	1	1	1			
12	2547 5010 99 23	Drain Cock	1	1	1	1	1	1	1	1	1	1	1	1	1	1	1			
13	2547 5050 92 01	Washer (For Fan Shroud)	5	5	5	5	5	5	5	5	5	5	5	5	5	5	5			
14	2547 5010 80 01	Pointed Screw (Cage Nut)	4	4	4	4	4	4	4	4	4	4	4	4	4	4	4			
15	2654 9900 65 02	Rectangular Nut M8	4	4	4	4	4	4	4	4	4	4	4	4	4	4	4			
17	2547 5010 63 15	Button Platform	1	1	1	1	1	1	1	1	1	1	1	1	1	1	1			

TABLE 54.1

ELECTRICAL EQUIPMENT

GROUP 54

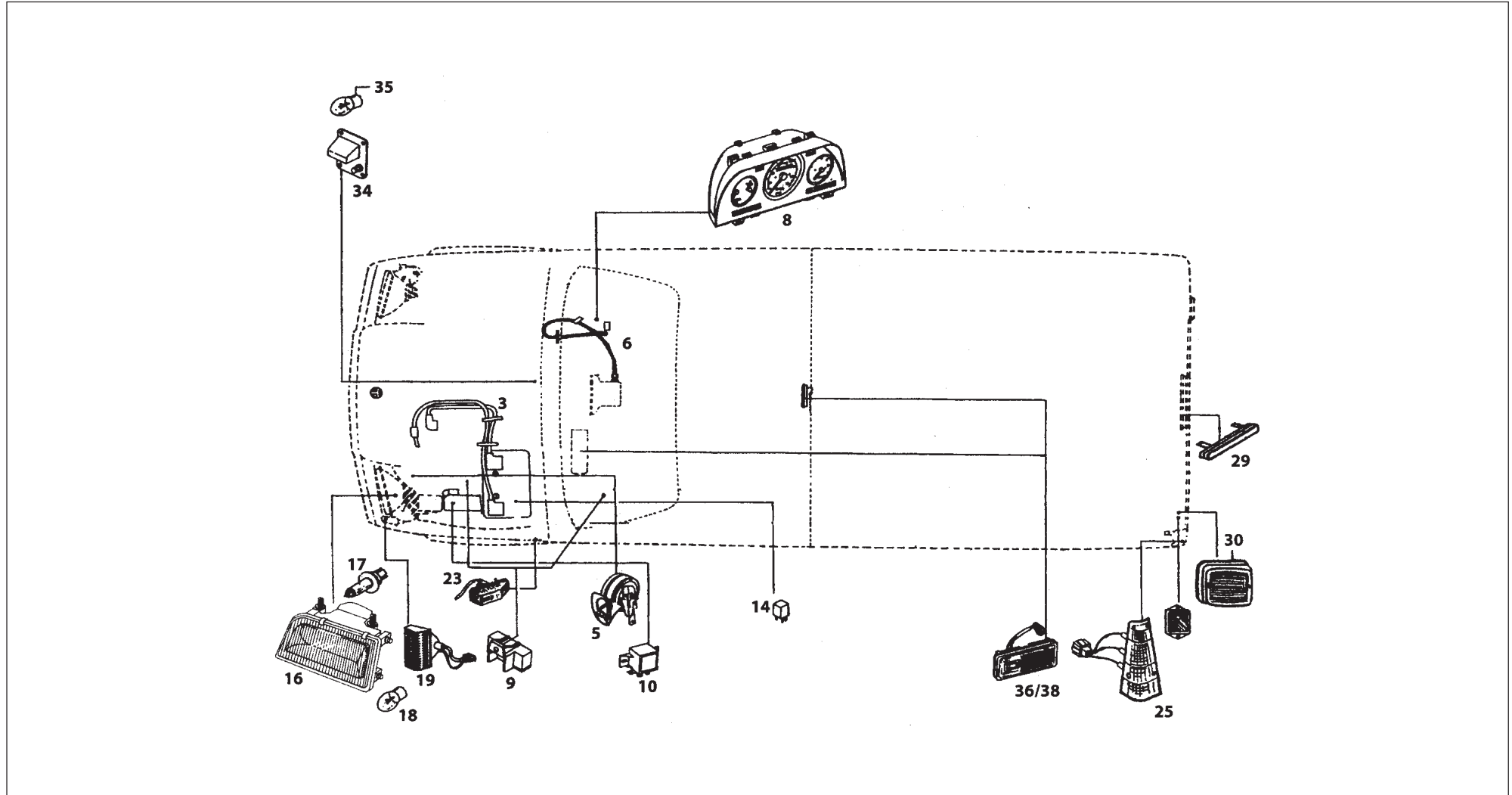


TABLE 54.1
ELECTRICAL EQUIPMENT
GROUP 54

FIG. NO.	PART NUMBER	DESCRIPTION	SINGLE CAB							CREW CAB							R/L	REMARKS
			4 x 2				4 x 4			4 x 2				4 x 4				
			AC HD 1	AC HD 2	AC HD 3	HD 4	HD 5	AC HD 6	AC HD 7	AC HD 8	HD 9	AC HD 10	AC HD 11	AC HD 12	AC HD 13	HD 14		
		ELECTRICAL EQUIPMENT																
3	2654 5410 01 24	Assy. Battery Cable +Ve & -Ve RHD		1	1	1	1			1	1	1		1	1	1	1	R
3	2830 5410 01 02	Assy. Battery Cable +Ve & -Ve LHD	1		1	1	1	1	1	1	1	1		1		1		L
5	2654 5420 99 88	Horn, Clear High Tone 'E' Mark 12V	1	1	1	1	1	1	1	1	1	1	1	1	1	1		
5	2654 5420 99 89	Horn, Clear Low Tone 'E' Mark 12V	1	1	1	1	1	1	1	1	1	1	1	1	1	1		
6	2654 5420 99 87	Speedocable, 3.2 mm Dia 1100 mm Long		1	1	1					1	1		1				R
6	2653 5420 99 08	Speedocable, 3.2 mm Dia 2350 mm Long						1	1	1				1			1	L
6	2698 5420 99 35	Speedocable, 3.2 mm Dia 1900 mm Long						1		1				1	1	1		R
6	2698 5420 99 35	Speedocable, 3.2 mm Dia 1900 mm Long	1		1	1					1	1	1					L
8	2826 5420 01 04	Assy. Instrument Cluster with Trip Odometer 1:1.0625		1	1	1					1	1						
8	2653 5420 01 10	Assy. Instrument Cluster with Trip Odometer 1:1.0625						1		1				1	1	1		
8	2826 5420 01 05	Assy. Instrument Cluster with Trip Odometer 1:1.7				1						1		1				
8	2653 5420 01 11	Assy. Instrument Cluster with Trip Odometer 1:1.7						1					1			1		
8	2826 5420 01 08	Assy. Instrument Cluster with Trip Odometer 1:1.1	1						1			1						
9	2659 5420 49 03	Glow Plug Timer	1	1	1	1	1	1	1	1	1	1	1		1			Euro II
9	2702 5420 99 31	Glow Plug Timer			1	1	1			1	1	1		1		1		Euro III
10	2654 5420 49 14	Accessories Relay with Resistor 12V	2	2	2	2	2	2	2	2	2	2	2	2	2	2	2	
14	2654 5420 49 13	Relay with Resistor 12V	9	9	9	7	7	9	9	9	7	9	9	9	9	7		
	2698 5450 63 03	Dummy Piano Switch Cover	1	1	1	3	3	3	3	3	3	3	3	3	3	3		
16	2659 5441 01 61	Assy. Head Lamp w/ 'E' Mark Bulb, 12V 'E' Cert. RH - RHD		1	1	1	1			1	1	1		1	1	1	1	R
16	2659 5441 01 62	Assy. Head Lamp w/ 'E' Mark Bulb, 12V 'E' Cert. LH - RHD		1	1	1	1			1	1	1		1	1	1	1	R
16	2659 5441 01 63	Assy. Head Lamp w/ 'E' Mark Bulb, 12V 'E' Cert. RH - LHD	1		1	1	1	1	1	1	1	1		1		1		L

TABLE 54.1

ELECTRICAL EQUIPMENT

GROUP 54

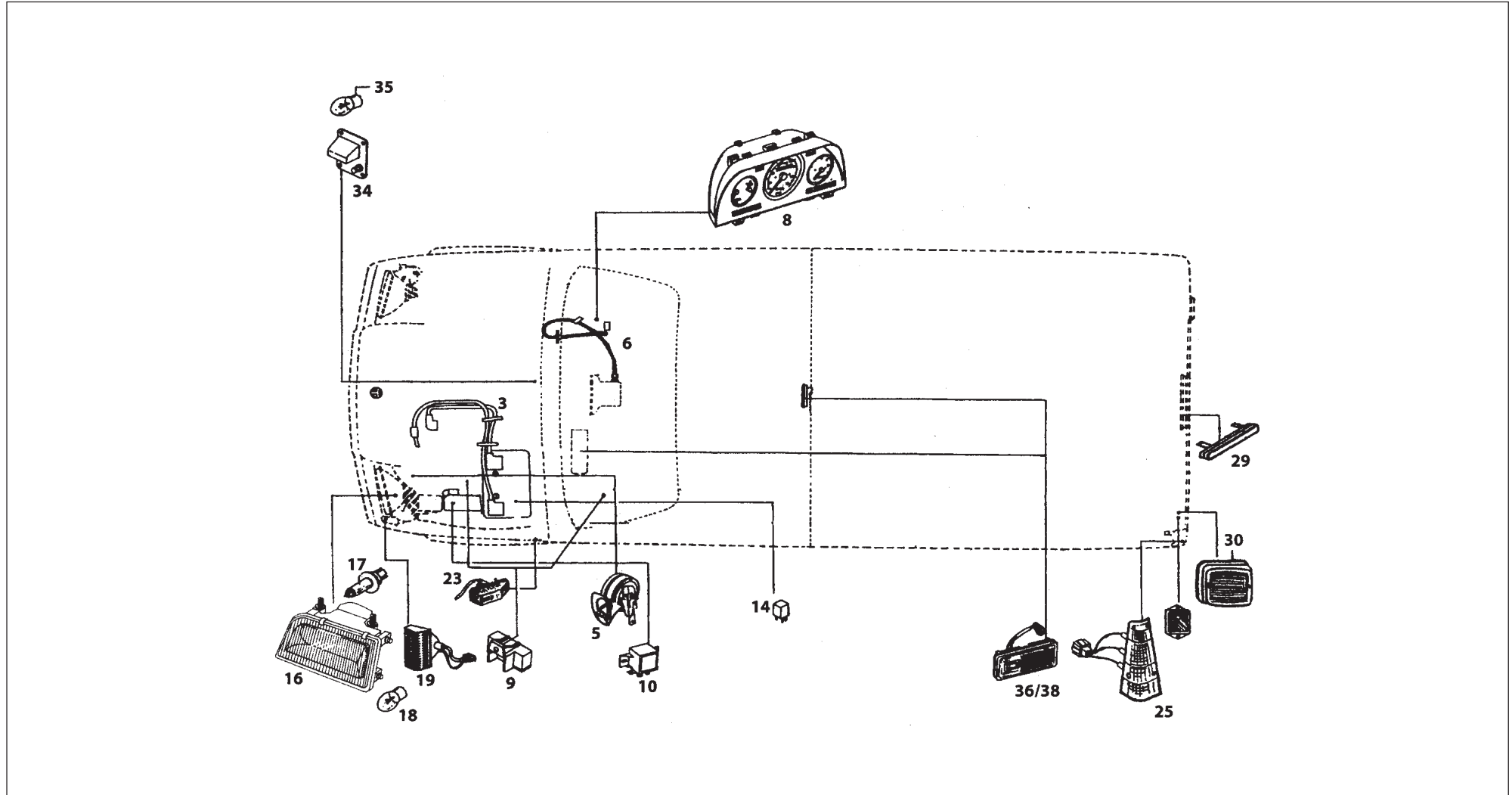


TABLE 54.1

ELECTRICAL EQUIPMENT

GROUP 54

FIG. NO.	PART NUMBER	DESCRIPTION	SINGLE CAB							CREW CAB							R/L	REMARKS
			4 x 2				4 x 4			4 x 2				4 x 4				
			AC HD 1	AC HD 2	AC HD 3	HD 4	HD 5	AC HD 6	AC HD 7	AC HD 8	HD 9	AC HD 10	AC HD 11	AC HD 12	AC HD 13	HD 14		
16	2659 5441 01 64	Assy. Head Lamp w/ 'E' Mark Bulb, 12V 'E' Cert. LH - LHD	1		1	1	1	1	1	1	1	1	1	1	1	L	Optional Optional	
17	6212 060101 1	Halogen Bulb, Head Lamp 60/55 W 12V 'E' Cert.	2	2	2	2	2	2	2	2	2	2	2	2	2			
18	6212 060111 9	Parking Bulb, Head Lamp 14W 12V 'E' Cert.	2	2	2	2	2	2	2	2	2	2	2	2	2			
19	2659 5441 01 35	Assy. Blinker Lamp w/ 'E' Mark Bulb, 12V 'E' Cert. LH	1	1	1	1	1	1	1	1	1	1	1	1	1			
19	2659 5441 01 36	Assy. Blinker Lamp w/ 'E' Mark Bulb, 12V 'E' Cert. RH	1	1	1	1	1	1	1	1	1	1	1	1	1			
19	2659 5441 01 40	Assy. Blinker Lamp w/ 'E' Mark Bulb, 12V 'E' Cert. RH	1	1	1	1	1	1	1	1	1	1	1	1	1			
	2654 5440 99 12	Bulb, Blinker 21W 12V 'E' Cert.	2	2	2	2	2	2	2	2	2	2	2	2	2			
23	2654 5442 01 40	Assy. Side Indicator Lamp LH (MSSL Conn.)	1	1	1	1	1	1	1	1	1	1	1	1	1			
23	2654 5442 01 41	Assy. Side Indicator Lamp RH (MSSL Conn.)	1	1	1	1	1	1	1	1	1	1	1	1	1			
	2654 5440 99 16	Bulb, Side Indicator Lamp 12V 5W W10/5 'E' Cert.	2	2	2	2	2	2	2	2	2	2	2	2	2			
25	2654 5442 01 10	Assy. Tail Lamp LH (MSSL Conn.)	1	1	1	1	1	1	1	1	1	1	1	1	1			
25	2574 5441 01 80	Assy. Tail Lamp LH (MSSL Conn.)			1	1			1				1					
25	2654 5442 01 11	Assy. Tail Lamp RH (MSSL Conn.)	1	1	1	1	1	1	1	1	1	1	1	1	1			
25	2574 5441 01 78	Assy. Tail Lamp RH (MSSL Conn.)			1	1			1				1					
	6212 060121 6	Bulb 12V 21W BA 15 S	6	6	6	6	6	6	6	6	6	6	6	6	6			
	2654 5440 99 14	Bulb 12V 10W BA 15 S	2	2	2	2	2	2	2	2	2	2	2	2	2			
29	2654 5441 01 03	Registration Plate Lamp 12V	1	1	1	1	1	1	1	1	1	1	1	1	1			
	2654 5440 99 14	Bulb 12V 10W BA 15 S	2	2	2	2	2	2	2	2	2	2	2	2	2			
30	2654 5443 01 43	Assy. Fog Lamp (Rear) 12V	1	1	1	1	1	1	1	1	1	1	1	1	1			
	6212 060121 6	Lamp, 12V 21W BA 15 S	1	1	1	1	1	1	1	1	1	1	1	1	1			
34	2699 5440 01 40	Assy. Engine Lamp	1	1	1	1	1	1	1	1	1	1	1	1	1			

TABLE 54.1

ELECTRICAL EQUIPMENT

GROUP 54

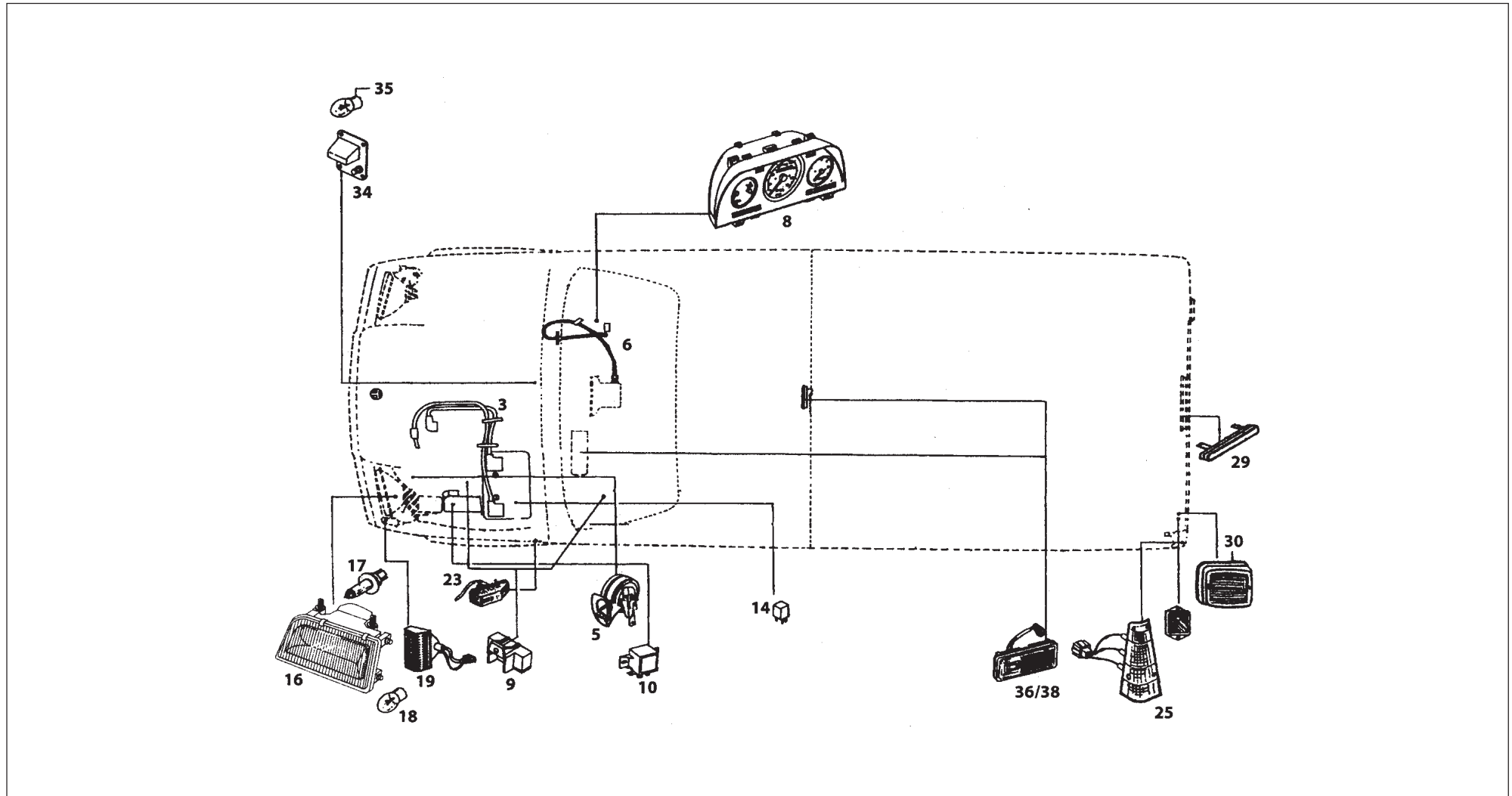


TABLE 54.1

ELECTRICAL EQUIPMENT

GROUP 54

FIG. NO.	PART NUMBER	DESCRIPTION	SINGLE CAB						CREW CAB						R/L	REMARKS	
			4 x 2			4 x 4			4 x 2			4 x 4					
			AC HD 1	AC HD 2	AC HD 3	HD 4	HD 5	AC HD 6	AC HD 7	AC HD 8	HD 9	AC HD 10	AC HD 11	AC HD 12			AC HD 13
35	6212060121 6	Lamp, 12V 21W BA 15 S	1	1	1	1	1	1	1	1	1	1	1	1	1		
36	2654 5442 01 96	Assy. Roof Lamp w/ 'E' Mark Bulb	1	1	1	1	1	1									
36	2659 5440 01 81	Assy. Roof Lamp w/o Conn. w/ 'E' Mark Bulb							1	1	1	1	1	1	1		
36	2699 5440 99 29	Roof Lamp							1	1	1	1	1	1	1		
	6212 051510 7	Bulb, 12V 10W															
38	2654 5442 01 81	Assy. Reading Lamp w/ 'E' Mark Bulb	1	1	1	1	1	1	1	1	1	1	1	1	1		
	6212 051510 7	Bulb, 12V 10W															
	2654 5442 01 91	Assy. Trailor Lamp	1	1	1	1	1	1	1	1	1	1	1	1	1		
	2826 5450 01 05	Assy Bonnet Switch Holder	1	1	1	1			1	1	1			1			
	2842 5450 99 17	Hood (Bonnet) Switch	1	1	1	1			1	1	1			1			

TABLE 54.2

ELECTRICAL EQUIPMENT

GROUP 54

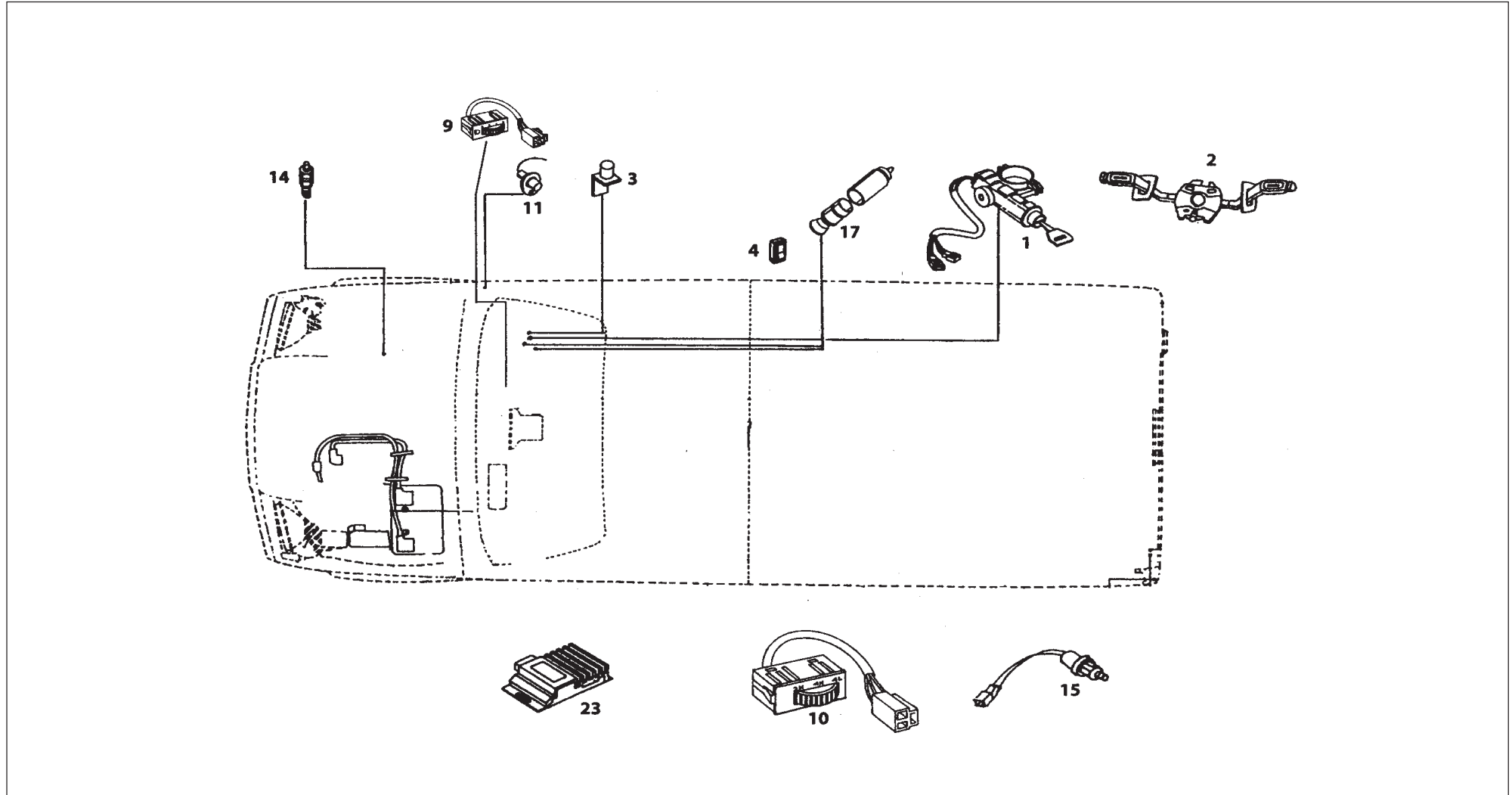


TABLE 54.2

ELECTRICAL EQUIPMENT

GROUP 54

FIG. NO.	PART NUMBER	DESCRIPTION	SINGLE CAB							CREW CAB							R/L	REMARKS
			4 x 2				4 x 4			4 x 2				4 x 4				
			AC HD 1	AC HD 2	AC HD 3	HD 4	HD 5	AC HD 6	AC HD 7	AC HD 8	HD 9	AC HD 10	AC HD 11	AC HD 12	AC HD 13	HD 14		
ELECTRICAL EQUIPMENT																		
1	2698 5450 01 34	Assy. Steering Lock Cum Ignition Switch	1	1	1	1	1	1	1	1	1	1	1	1	1		Optional	
1	2826 5450 01 03	Assy. Steering Lock Cum Ignition Switch	1	1	1	1	1	1	1	1	1	1	1	1	1		Optional	
2	2826 5450 01 04	Assy. Steering Combi Switch RHD		1	1	1	1		1	1	1		1	1	1	R		
2	2830 5450 01 01	Assy. Steering Combi Switch LHD	1		1	1	1	1	1	1	1		1		1	L		
3	2658 5450 01 65	Assy. Flasher with Bracket 12V	1	1	1	1	1	1	1	1	1	1	1	1	1			
4	2654 5451 01 69	Piano Key Switch, Fog Lamp	1	1	1	1	1	1	1	1	1	1	1	1	1		Optional	
4	2698 5450 01 45	Piano Key Switch, Fog Lamp	1	1	1	1	1	1	1	1	1	1	1	1	1		Optional	
4	2659 5450 69 07	Piano Key Switch, Demisting	1	1	1	1	1	1	1	1	1	1	1	1	1			
9	2698 5450 01 13	Assy. Head Lamp Levelling Switch (Vertical)	1	1	1	1				1	1	1	1					
9	2659 5450 01 48	Assy. Head Lamp Levelling Switch (Horizontal)					1	1	1				1	1	1			
10	2659 5450 01 49	Assy. Transfer Case Selection Switch					1	1	1				1	1	1			
11	2823 5450 99 14	Assy. Door Switch	2	2	2	2	2	2	2	4	4	4	4	4	4			
14	2698 5450 01 28	Assy. Stop Light Switch	1	1	1	1	1	1	1	1	1	1	1	1	1			
14	2702 5450 99 30	Assy. Stop Light Switch	1	1	1	1	1	1	1	1	1	1	1	1	1			
14	2702 5450 99 34	Assy. Stop Light Switch	1	1	1	1	1	1	1	1	1	1	1	1	1			
14	2702 5450 99 55	Assy. Stop Light Switch	1	1	1	1	1	1	1	1	1	1	1	1	1			
15	2698 5450 01 40	Assy. Reversre Light Switch	1	1	1	1	1	1	1	1	1	1	1	1	1			

TABLE 54.2

ELECTRICAL EQUIPMENT

GROUP 54

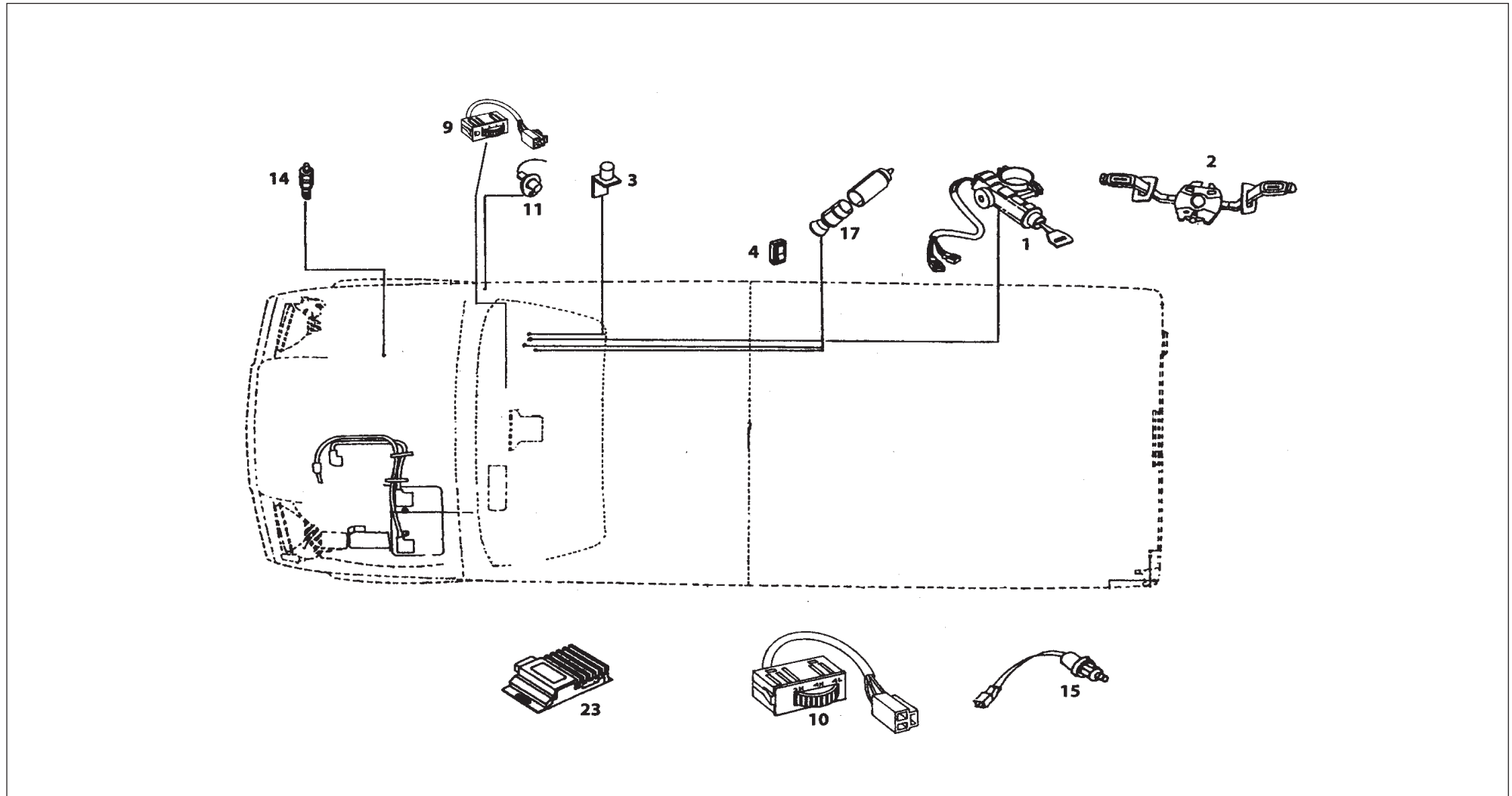


TABLE 54.2

ELECTRICAL EQUIPMENT

GROUP 54

FIG. NO.	PART NUMBER	DESCRIPTION	SINGLE CAB						CREW CAB						R/L	REMARKS	
			4 x 2			4 x 4			4 x 2			4 x 4					
			AC HD 1	AC HD 2	AC HD 3	HD 4	HD 5	AC HD 6	AC HD 7	AC HD 8	HD 9	AC HD 10	AC HD 11	AC HD 12			AC HD 13
17	2699 5420 99 97	Cigarette Lighter	1	1	1	1	1	1	1	1	1	1	1	1	1		
23	2704 5420 99 24	Electronic Control Unit (Transfer Case)					1	1	1				1	1	1		

TABLE 54.3

ELECTRICAL EQUIPMENT

GROUP 54

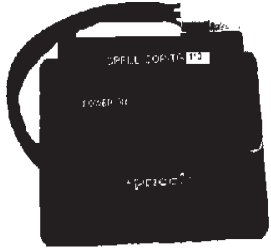
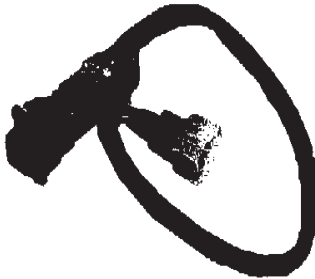
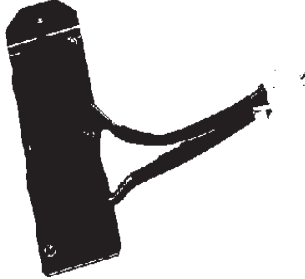



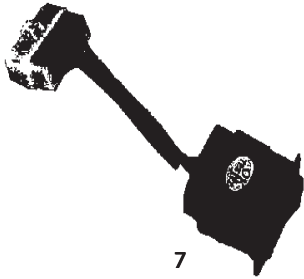
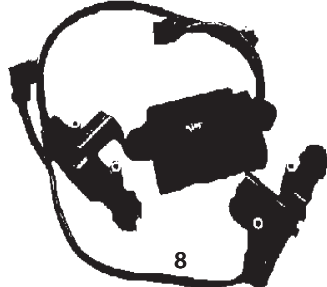

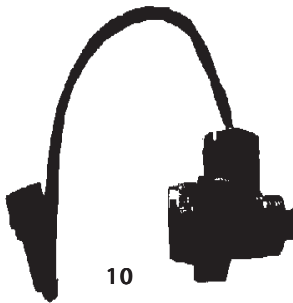
 <p>1</p>	 <p>2</p>	 <p>3</p>	 <p>4</p>	 <p>5</p>
 <p>6</p>	 <p>7</p>	 <p>8</p>	 <p>9</p>	 <p>10</p>

TABLE 54.3

ELECTRICAL EQUIPMENT

GROUP 54

FIG. NO.	PART NUMBER	DESCRIPTION	SINGLE CAB							CREW CAB							R/L	REMARKS		
			4 x 2				4 x 4			4 x 2				4 x 4						
			AC HD 1	AC HD 2	AC HD 3	HD 4	HD 5	AC HD 6	AC HD 7	AC HD 8	HD 9	AC HD 10	AC HD 11	AC HD 12	AC HD 13	HD 14				
		ELECTRICAL EQUIPMENT																		
1	2653 5420 01 14	Electronic Control Unit (1:1.1 Ratio)	1						1											
2	2658 5450 01 42	Assy. A/C Switch	1	1	1							1	1	1	1					
3	2698 5420 01 85	Assy. Beeper, Seat Belt & Door Ajar	1	1	1	1	1	1	1	1	1	1	1	1	1	1				
4	2699 5451 99 66	Hand Brake Switch	1	1	1	1	1	1	1	1	1	1	1	1	1	1				
5	2654 5470 01 55	Assy. Blower Switch (MSSL Conn)	1	1	1	1	1	1	1	1	1	1	1	1	1	1				
6	2698 5470 99 08	Low Speed Resistor (Fusible)							1											
7	2830 5450 99 01	Hazard Warning Switch	1	1	1	1	1	1	1	1	1	1	1	1	1					
8	2826 5490 01 01	Kit, Immobiliser	1	1	1	1	1	1												Upto Feb. 06
8	2826 5490 01 02	Kit, Immobiliser	1	1	1	1	1	1												Eff. from Ch. No. MAT 374582269 0 4491
8	2830 5490 01 01	Kit, Immobiliser									1	1	1	1	1	1				Upto Feb. 06
8	2830 5490 01 04	Kit Immobiliser									1	1	1	1	1	1				Eff. from Ch. No. MAT 374582269 0 4491
	2654 5450 99 13	Low Oil Pressure Switch	1	1	1	1	1	1	1	1	1	1	1	1	1					
	2632 5420 99 03	Temperature Transducer	1	1	1	1	1	1	1	1	1	1	1	1	1					
	2702 5420 99 32	Temperature Sensor				1	1	1			1	1	1							Euro III
	2699 5420 99 08	Wiper Controller 12V	1	1	1	1	1	1	1	1	1	1	1	1	1					

TABLE 54.3

ELECTRICAL EQUIPMENT

GROUP 54

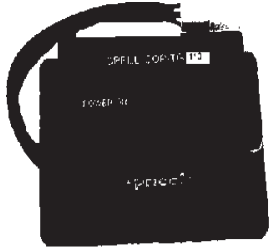
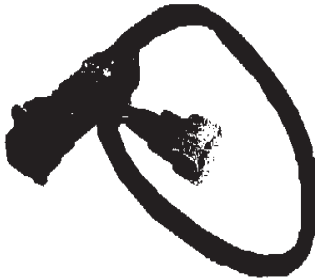
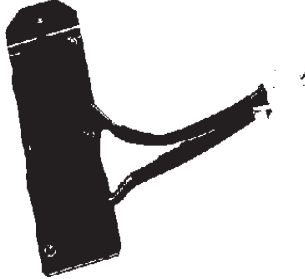



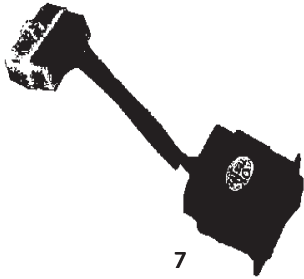
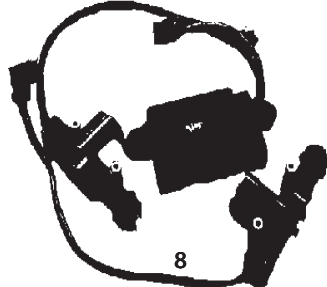

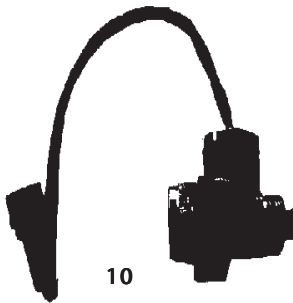
 <p>1</p>	 <p>2</p>	 <p>3</p>	 <p>4</p>	 <p>5</p>
 <p>6</p>	 <p>7</p>	 <p>8</p>	 <p>9</p>	 <p>10</p>

TABLE 54.3

ELECTRICAL EQUIPMENT

GROUP 54

FIG. NO.	PART NUMBER	DESCRIPTION	SINGLE CAB						CREW CAB						R/L	REMARKS	
			4 x 2				4 x 4		4 x 2				4 x 4				
			AC HD 1	AC HD 2	AC HD 3	HD 4	HD 5	AC HD 6	AC HD 7	AC HD 8	HD 9	AC HD 10	AC HD 11	AC HD 12			AC HD 13
	2704 5420 99 25	Cold Advance Timer	1	1	1	1	1	1	1	1	1		1	1			
	2702 5420 99 60	Chime Unit	1	1	1	1	1	1	1	1	1	1	1	1	1		
	2702 5422 99 06	EGR Controller			1	1	1		1	1	1		1	1		1	
9	2699 5421 01 99	Assy. Magnetic Reed Switch (JIS)	1									1					
10	2699 5420 01 98	Assy. Magnetic Reed Switch (DIN)						1									
--	2826 5490 33 01	Immobiliser Bracket	1	1	1	1	1	1	1	1	1	1	1	1	1		

TABLE 54.4

WIRING HARNESS

GROUP 54

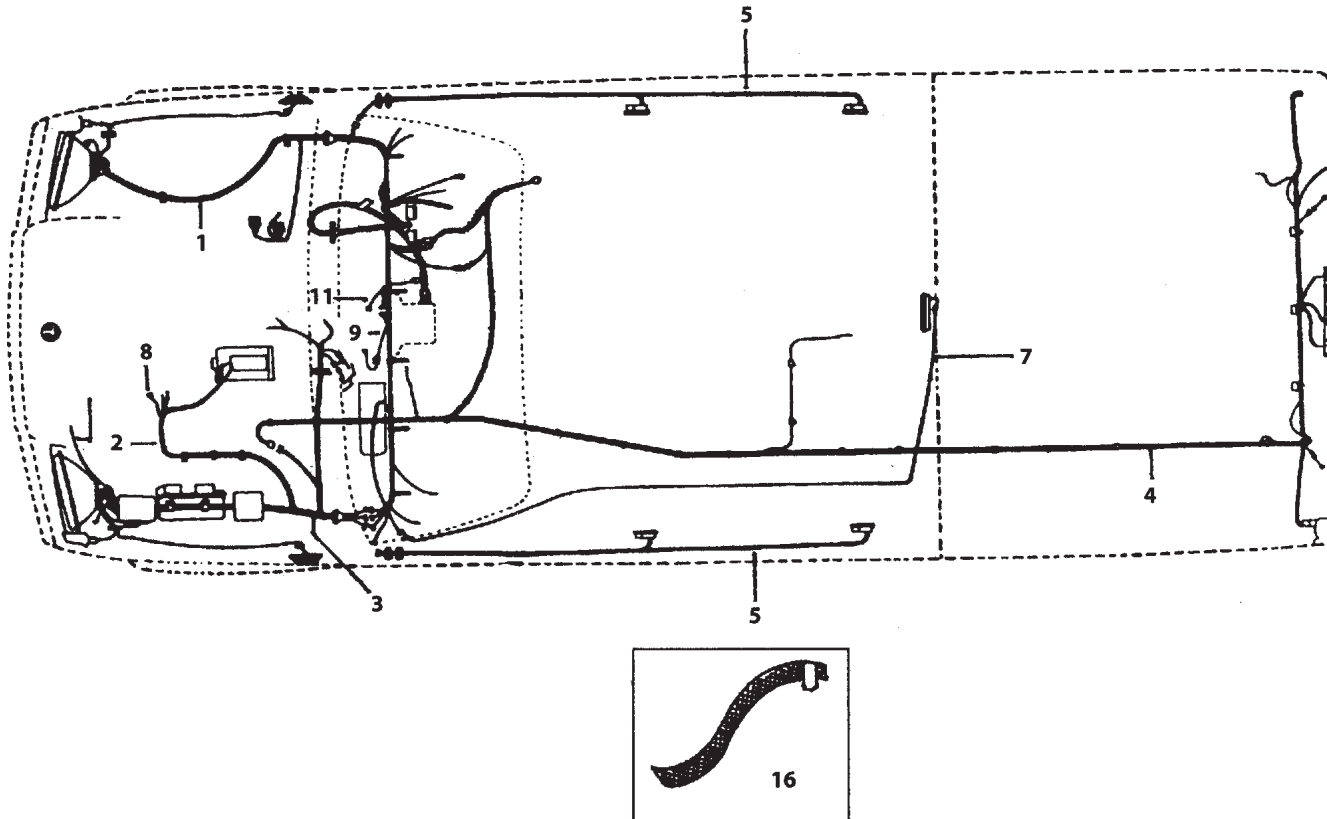


TABLE 54.4

WIRING HARNESS

GROUP 54

FIG. NO.	PART NUMBER	DESCRIPTION	SINGLE CAB							CREW CAB							R/L	REMARKS	
			4 x 2				4 x 4			4 x 2				4 x 4					
			AC HD 1	AC HD 2	AC HD 3	HD 4	HD 5	AC HD 6	AC HD 7	AC HD 8	HD 9	AC HD 10	AC HD 11	AC HD 12	AC HD 13	HD 14			
		WIRING HARNESS																	
1	2830 5460 01 01	Wiring Harness, Cabin	1							1								L	Euro II
1	2830 5460 01 01	Wiring Harness, Cabin										1						L	Euro III
1	2830 5460 01 16	Wiring Harness, Cabin		1	1	1				1	1							R	Euro II
1	2653 5460 01 65	Wiring Harness, Cabin						1		1				1			1	L	Euro III, Upto June 06
1	2653 5460 01 73	Wiring Harness, Cabin						1		1				1			1	L	Euro III Eff. from Ch.No. MAT 374 582 69L 04491
1	2653 5460 01 66	Wiring Harness, Cabin						1						1				R	Euro III
1	2653 5460 01 69	Wiring Harness, Cabin								1				1	1			R	Euro II
1	2721 5460 01 37	Wiring Harness, Cabin						1	1					1				L	Euro II
1	2826 5460 01 21	Wiring Harness, Cabin				1	1			1	1							L	Euro III, Upto June 06
1	2826 5460 01 56	Wiring Harness, Cabin				1	1			1	1							L	Euro III Eff. from Ch.No. MAT 374 582 69L 04491
1	2826 5460 01 22	Wiring Harness, Cabin					1			1	1		1					R	Euro III
2	2826 5460 01 06	Wiring Harness, Engine	1	1	1	1	1	1	1	1	1	1		1	1				
3	2830 5460 01 09	Wiring Harness, Front	1	1	1	1				1	1								Euro II
3	2830 5460 01 15	Wiring Harness, Front										1							Euro III

TABLE 54.4

WIRING HARNESS

GROUP 54

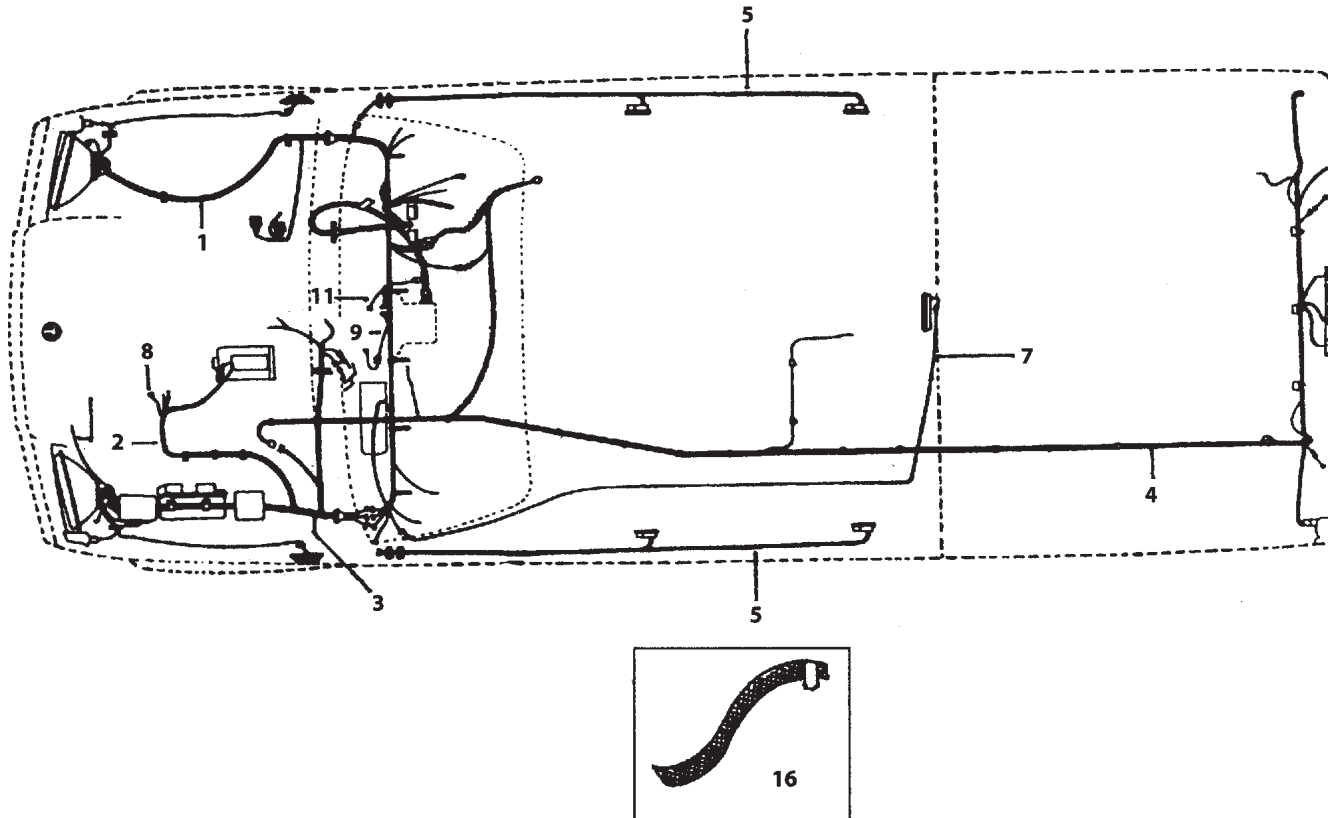


TABLE 54.4
WIRING HARNESS
GROUP 54

FIG. NO.	PART NUMBER	DESCRIPTION	SINGLE CAB							CREW CAB							R/L	REMARKS
			4 x 2				4 x 4			4 x 2				4 x 4				
			AC HD 1	AC HD 2	AC HD 3	HD 4	HD 5	AC HD 6	AC HD 7	AC HD 8	HD 9	AC HD 10	AC HD 11	AC HD 12	AC HD 13	HD 14		
3	2721 5460 01 40	Wiring Harness, Front					1		1					1		1		Euro III, Upto June 06
3	2653 5460 01 70	Wiring Harness, Front					1		1					1		1		Euro III Eff. from Ch.No. MAT 374 582 69L 04491
3	2721 5460 01 39	Wiring Harness, Front					1	1	1					1	1			Euro II
3	2830 5460 01 10	Wiring Harness, Front				1				1	1		1					Euro III, Upto June 06
3	2826 5460 01 44	Wiring Harness, Front				1				1	1		1					Euro III Eff. from Ch.No. MAT 374 582 69L 04491
4	2701 5460 01 51	Wiring Harness, Tail	1	1	1	1	1	1	1	1	1	1	1	1	1	1		
5	2826 5460 01 50	Wiring Harness, Co-Driver Side Rear Door								1	1	1	1	1	1	1		
5	2826 5460 01 48	Wiring Harness, Driver Side Door	1	1	1	1	1	1	1	1	1	1	1	1	1	1		
5	2826 5460 01 49	Wiring Harness, Co - Driver Door	1	1	1	1	1	1	1	1	1	1	1	1	1	1		
5	2826 5460 01 51	Wiring Harness, Rear Door Co-Driver Side								1	1	1	1	1	1	1		
7	2653 5460 01 55	Wiring Harness, Roof, Heating & Demisting		1	1	1				1							R	Optional, Euro II
7	2653 5460 01 62	Wiring Harness, Roof, Heating & Demisting		1	1	1				1							R	Optional, Euro II
7	2701 5460 01 93	Wiring Harness, Roof								1	1	1	1			1		Euro II & Euro III
7	2653 5460 01 49	Wiring Harness, Roof, Double Lamp & Stop Lamp								1	1			1	1		R	Optional, Euro II
7	2701 5461 01 01	Wiring Harness, Roof, Double Lamp & Stop Lamp								1	1			1	1		R	Optional, Euro II
9	2701 5460 01 52	Wiring Harness, Blower 3 Pole	1	1	1	1	1	1	1	1	1	1	1	1	1	1		

TABLE 54.4

WIRING HARNESS

GROUP 54

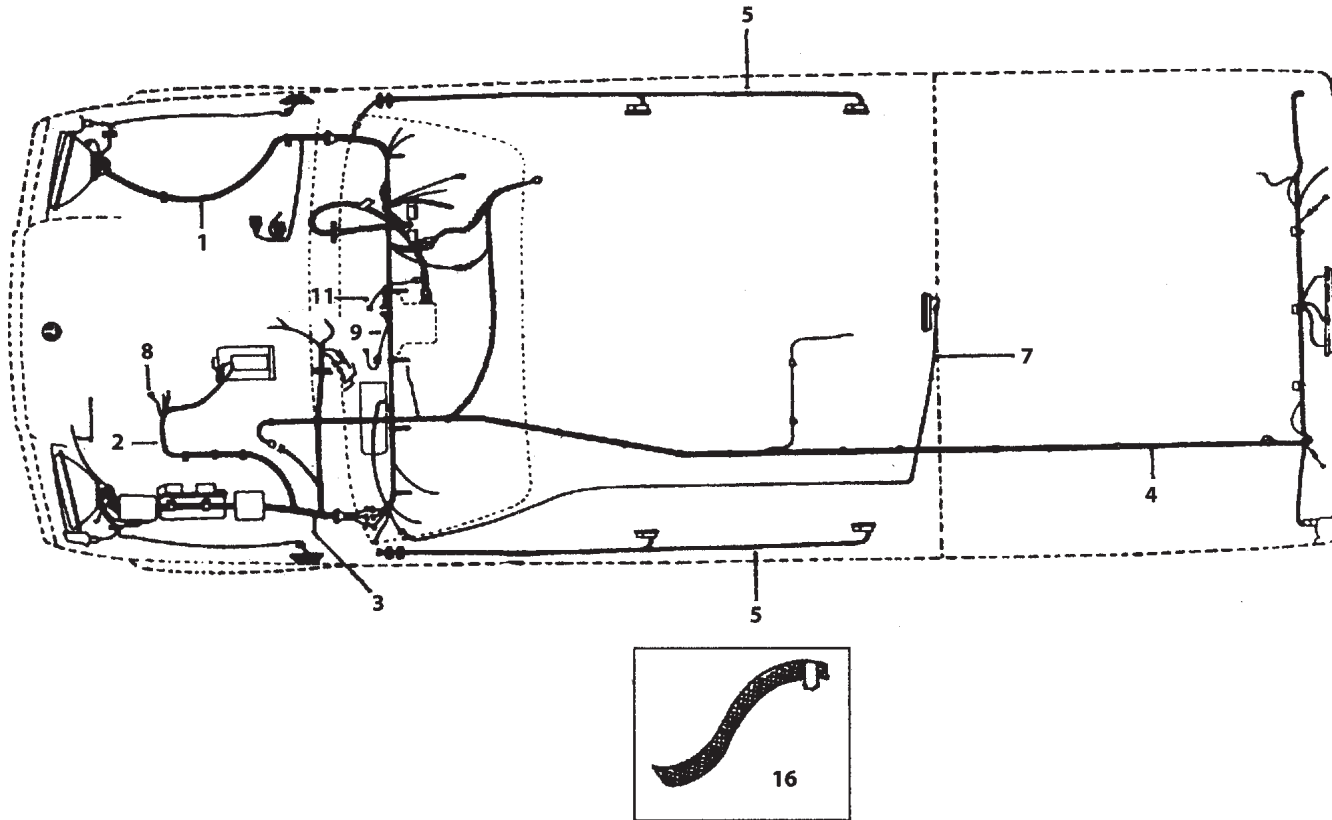
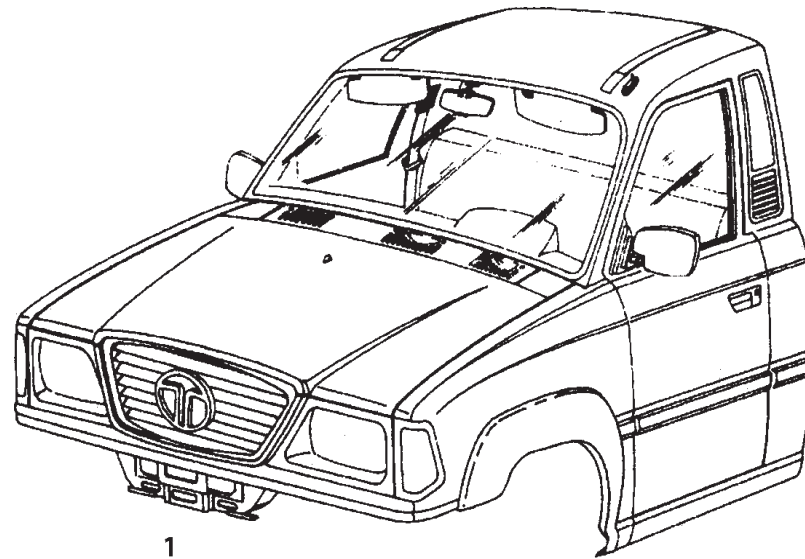


TABLE 54.4

WIRING HARNESS

GROUP 54

FIG. NO.	PART NUMBER	DESCRIPTION	SINGLE CAB							CREW CAB							R/L	REMARKS	
			4 x 2				4 x 4			4 x 2				4 x 4					
			AC HD 1	AC HD 2	AC HD 3	HD 4	HD 5	AC HD 6	AC HD 7	AC HD 8	HD 9	AC HD 10	AC HD 11	AC HD 12	AC HD 13	HD 14			
9	2701 5460 01 53	Wiring Harness, Blower 4 Pole				1	1							1			1		
11	2654 5461 01 17	Wiring Harness, Control Housing, A/C & Heating	1	1	1		1	1	1	1	1	1	1	1	1	1	1		Optional, Euro II & Euro III
11	2654 5462 01 48	Wiring Harness, Control Housing, A/C & Heating	1	1	1		1	1	1	1	1	1	1	1	1	1	1		Optional, Euro II & Euro III
11	2658 5462 01 44	Wiring Harness, Control Housing, A/C & Heating			1	1	1					1							Euro II & Euro III
--	2701 5460 01 54	Wiring Harness, Belt	1	1	1	1	1	1	1	1	1	1	1	1	1	1	1		
--	2701 5460 01 49	Wiring Harness, Pig Tail, Earth	1	1	1	1	1	1	1	1	1	1	1				1		
--	2653 5460 01 72	Wiring Harness, Electronic Control Unit (ECU) (Transfer Case)					1	1	1					1	1	1			
--	2704 5460 01 09	Wiring Harness, Transfer Case					1	1	1					1	1	1		Optional	
--	2704 5460 01 20	Wiring Harness, Transfer Case					1	1	1					1	1	1		Optional	
16	2698 5410 99 01	Earth Strap	1	1	1	1	1	1	1	1	1	1	1	1	1	1	1		



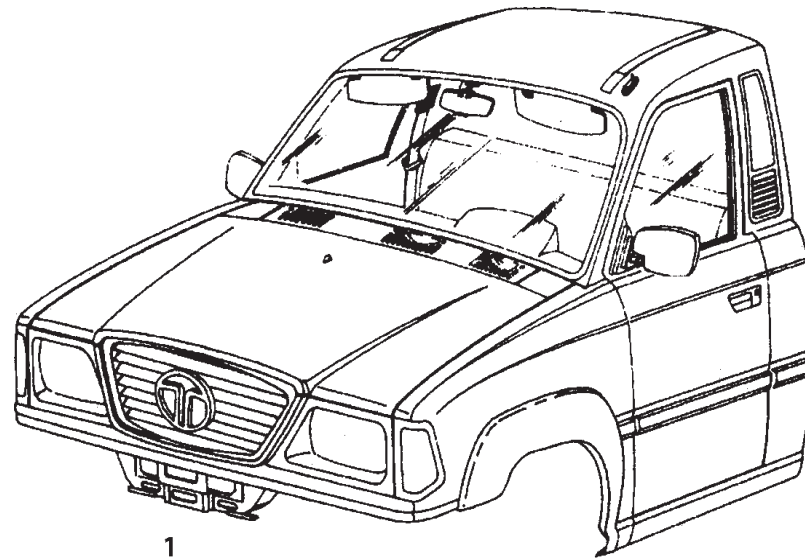
1

TABLE 60.1

ASSY. SINGLE CAB COMPLETE

GROUP 60

FIG. NO.	PART NUMBER	DESCRIPTION	SINGLE CAB						CREW CAB						R/L	REMARKS		
			4 x 2				4 x 4		4 x 2			4 x 4						
			AC HD 1	AC HD 2	AC HD 3	HD 4	HD 5	AC HD 6	AC HD 7	AC HD 8	HD 9	AC HD 10	AC HD 11	AC HD 12			AC HD 13	HD 14
		ASSY. SINGLE CAB COMPLETE																
1	2832 6000 01 64DP	Assy Cab Complete LHD, Passion Red	1														L	
1	2832 6000 01 64D7	Assy Cab Complete LHD, Silver Mist	1														L	
1	2832 6000 01 64D5	Assy Cab Complete LHD, Timber Green	1														L	
1	2832 6000 01 64BG	Assy Cab Complete LHD, Mica Burning Red	1														L	
1	2832 6000 01 64BF	Assy Cab Complete LHD, Artic White	1														L	
1	2832 6000 01 64BM	Assy Cab Complete LHD, Fiji Blu	1														L	
1	2832 6000 01 46BF	Assy Cab Complete RHD, Artic White		1													R	
1	2832 6000 01 46BG	Assy Cab Complete RHD, Mica Burning Red		1													R	
1	2832 6000 01 46BM	Assy Cab Complete RHD, Fiji Blue		1													R	
1	2832 6000 01 46D3	Assy Cab Complete RHD, Artic Silver		1													R	
1	2832 6000 01 46D5	Assy Cab Complete RHD, Timber Green		1													R	
1	2832 6000 01 46D7	Assy Cab Complete RHD, Silver Mist		1													R	
1	2832 6000 01 01BF	Assy Cab Complete RHD, Artic White			1												R	
1	2832 6000 01 06D3	Assy Cab Complete LHD, Artic Silver			1												L	
1	2832 6000 01 21BF	Assy Cab Complete RHD, Artic White					1										R	
1	2832 6000 01 21BG	Assy Cab Complete RHD, Mica Burning Red					1										R	
1	2832 6000 01 21BM	Assy Cab Complete RHD, Fiji Blu					1										R	
1	2832 6000 01 21BN	Assy Cab Complete RHD, Ruby Red					1										R	
1	2832 6000 01 21D3	Assy Cab Complete RHD, Artic Silver					1										R	



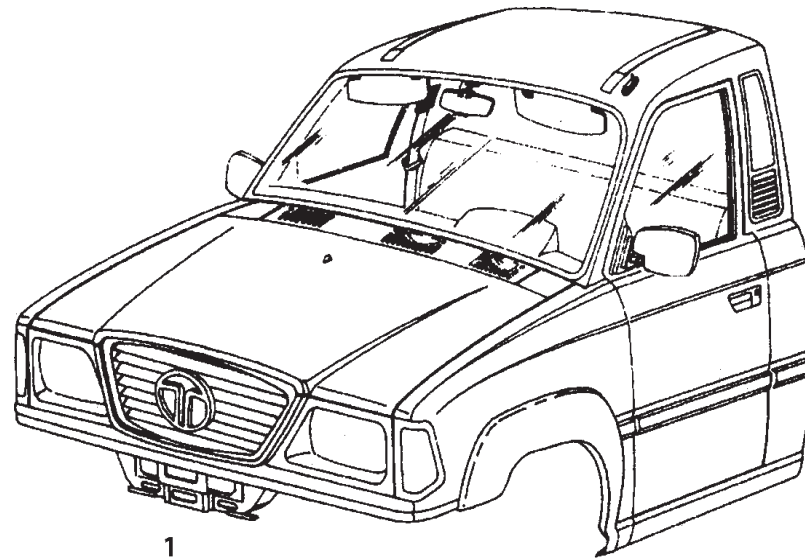
1

TABLE 60.1

ASSY. SINGLE CAB COMPLETE

GROUP 60

FIG. NO.	PART NUMBER	DESCRIPTION	SINGLE CAB							CREW CAB							R/L	REMARKS	
			4 x 2				4 x 4			4 x 2				4 x 4					
			AC HD 1	AC HD 2	AC HD 3	HD 4	HD 5	AC HD 6	AC HD 7	AC HD 8	HD 9	AC HD 10	AC HD 11	AC HD 12	AC HD 13	HD 14			
1	2832 6000 01 21D5	Assy Cab Complete RHD, Timber Green				1												R	
1	2832 6000 01 21D7	Assy Cab Complete RHD, Silver Mist				1												R	
1	2832 6000 01 26BF	Assy Cab Complete LHD, Artic White				1												L	
1	2832 6000 01 26BM	Assy Cab Complete LHD, Fiji Blue				1												L	
1	2832 6000 01 26BN	Assy Cab Complete LHD, Ruby Red				1												L	
1	2832 6000 01 26BP	Assy Cab Complete LHD, Metallic Silver				1												L	
1	2832 6000 01 26D3	Assy Cab Complete LHD, Artic Silver				1												L	
1	2832 6000 01 26D5	Assy Cab Complete LHD, Timber Green				1												L	
1	2832 6000 01 26D7	Assy Cab Complete LHD, Silver Mist				1												L	
1	2832 6000 01 71D3	Assy Cab Complete Uk 4X4, Artic Silver							1									R	
1	2832 6000 01 71DP	Assy Cab Complete Uk 4X4, Passion Red							1									R	
1	2832 6000 01 35BF	Assy.Cab Complete LHD, Artic White							1									L	
1	2832 6000 01 35BM	Assy.Cab Complete LHD, Fiji Blue							1									L	
1	2832 6000 01 35BN	Assy.Cab Complete LHD, Ruby Red							1									L	
1	2832 6000 01 35BP	Assy.Cab Complete LHD, Metallic Silver							1									L	
1	2832 6000 01 35D3	Assy.Cab Complete LHD, Artic Silver							1									L	
1	2832 6000 01 35D5	Assy.Cab Complete LHD, Timber Green							1									L	
1	2832 6000 01 35D7	Assy.Cab Complete LHD, Silver Mist							1									L	
1	2832 6000 01 35DP	Assy.Cab Complete LHD, Passion Red							1									L	
1	2832 6000 01 15BF	Assy.Cab Complete LHD(4X4,AC,HD,SASO), Artic White								1								L	



1

TABLE 60.1

ASSY. SINGLE CAB COMPLETE

GROUP 60

FIG. NO.	PART NUMBER	DESCRIPTION	SINGLE CAB					CREW CAB						R/L	REMARKS		
			4 x 2			4 x 4		4 x 2			4 x 4						
			AC HD 1	AC HD 2	AC HD 3	HD 4	HD 5	AC HD 6	AC HD 7	AC HD 8	HD 9	AC HD 10	AC HD 11			AC HD 12	AC HD 13
1	2832 6000 01 15BM	Assy.Cab Complete LHD(4X4,AC,HD,SASO), Fiji Blue					1									L	
1	2832 6000 01 15D3	Assy.Cab Complete LHD(4X4,AC,HD,SASO), Artic Silver					1									L	
1	2832 6000 01 15D5	Assy.Cab Complete LHD(4X4,AC,HD,SASO), Timber Green					1									L	
1	2832 6000 01 15DP	Assy.Cab Complete LHD(4X4,AC,HD,SASO), Passion Red					1									L	
1	2832 6000 01 16BF	Assy Cab Complete RHD, Artic White						1								R	
1	2832 6000 01 11BF	Assy Cab Complete LHD, Artic White						1								L	
1	2832 6000 01 11D7	Assy Cab Complete LHD, Silver Mist						1								L	
1	2832 6000 01 11DP	Assy Cab Complete LHD, Passion Red						1								L	

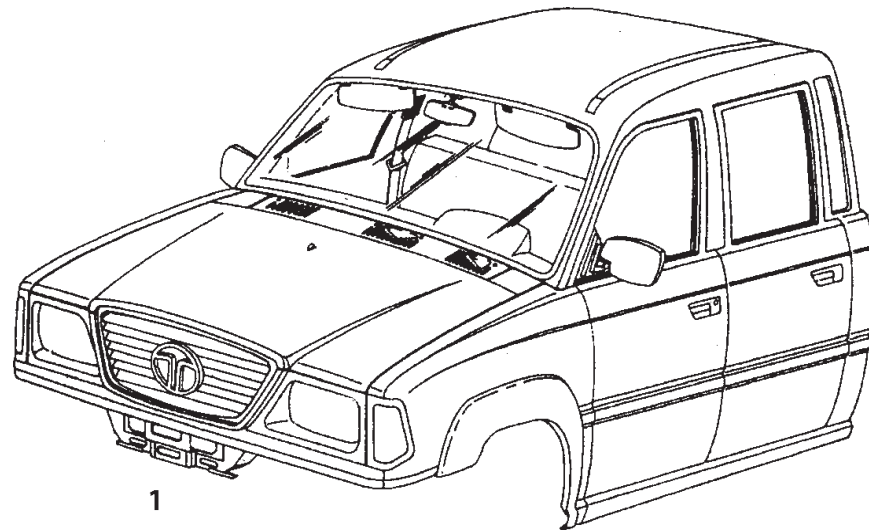
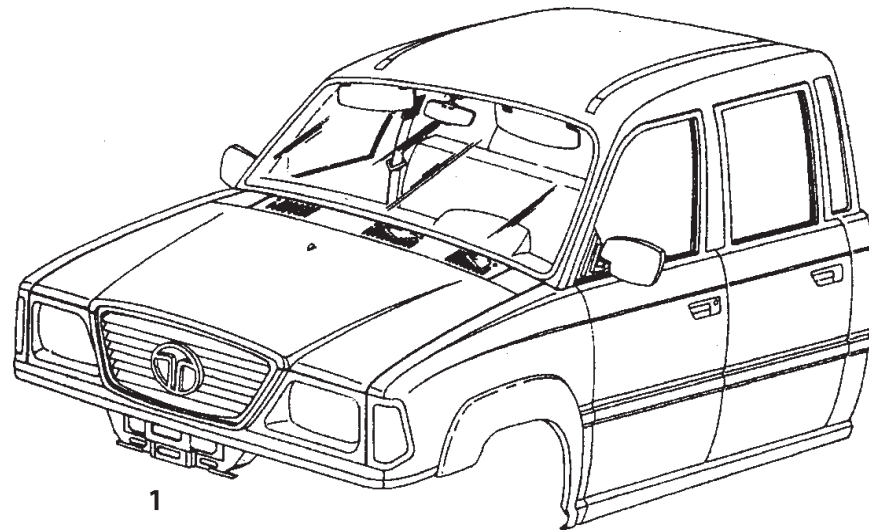


TABLE 60.2

ASSY. CAB COMPLETE (CREW CAB)

GROUP 60

FIG. NO.	PART NUMBER	DESCRIPTION	SINGLE CAB						CREW CAB						R/L	REMARKS	
			4 x 2				4 x 4		4 x 2			4 x 4					
			AC HD 1	AC HD 2	AC HD 3	HD 4	HD 5	AC HD 6	AC HD 7	AC HD 8	HD 9	AC HD 10	AC HD 11	AC HD 12			AC HD 13
		ASSY. CAB COMPLETE (CREW CAB)															
1	2833 6000 01 84BF	Assy Cab Complete RHD, Artic White									1						R
1	2833 6000 01 84BG	Assy Cab Complete RHD, Burning Red									1						R
1	2833 6000 01 84BM	Assy Cab Complete RHD, Fiji Blue									1						R
1	2833 6000 01 84D3	Assy Cab Complete RHD, Artic Silver									1						R
1	2833 6000 01 84D5	Assy Cab Complete RHD, Timber Green									1						R
1	2833 6000 01 84D7	Assy Cab Complete RHD, Silver Mist									1						R
1	2833 6000 01 84DP	Assy Cab Complete RHD, Passion Red									1						R
1	2833 6000 01 81BF	Assy Cab Complete LHD, Artic White									1						L
1	2833 6000 01 81BG	Assy Cab Complete LHD, Burning Red									1						L
1	2833 6000 01 81BM	Assy Cab Complete LHD, Fiji Blue									1						L
1	2833 6000 01 81BN	Assy Cab Complete LHD, Ruby Red									1						L
1	2833 6000 01 81D3	Assy Cab Complete LHD, Artic Silver									1						L
1	2833 6000 01 81D5	Assy Cab Complete LHD, Timber Green									1						L
1	2833 6000 01 81D7	Assy Cab Complete LHD, Silver Mist									1						L
1	2833 6000 01 81DP	Assy Cab Complete LHD, Passion Red									1						L
1	2833 6000 01 81DU	Assy Cab Complete LHD, Quartz Black									1						L
1	2833 6000 01 36BF	Assy Cab Complete RHD, Artic White														1	R
1	2833 6000 01 36BG	Assy Cab Complete RHD, Burning Red														1	R
1	2833 6000 01 36BM	Assy Cab Complete RHD, Fiji Blue														1	R



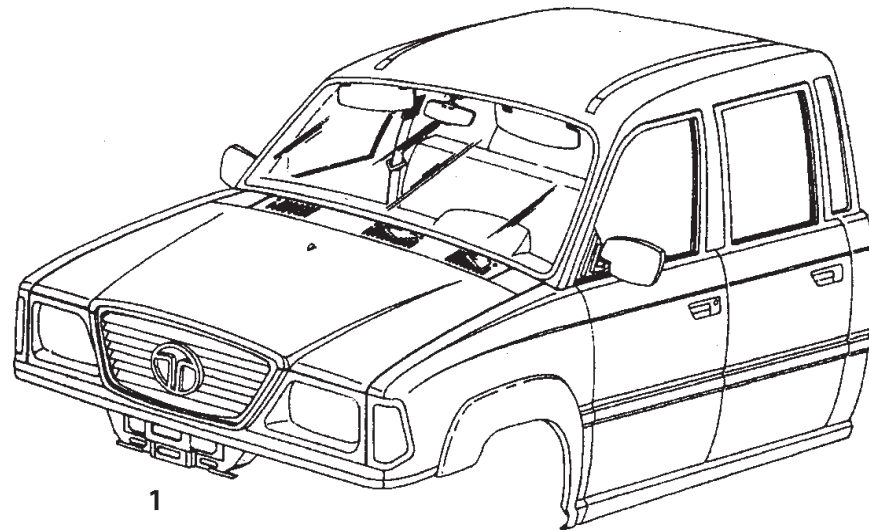
1

TABLE 60.2

ASSY.CAB COMPLETE (CREW CAB)

GROUP 60

FIG. NO.	PART NUMBER	DESCRIPTION	SINGLE CAB						CREW CAB						R/L	REMARKS	
			4 x 2				4 x 4		4 x 2			4 x 4					
			AC HD 1	AC HD 2	AC HD 3	HD 4	HD 5	AC HD 6	AC HD 7	AC HD 8	HD 9	AC HD 10	AC HD 11	AC HD 12			AC HD 13
1	2833 6000 01 36BN	Assy Cab Complete RHD, Ruby Red								1							R
1	2833 6000 01 36D3	Assy Cab Complete RHD, Artic Silver								1							R
1	2833 6000 01 36D5	Assy Cab Complete RHD, Timber Green								1							R
1	2833 6000 01 36D7	Assy Cab Complete RHD, Silver Mist								1							R
1	2833 6000 01 36DP	Assy Cab Complete RHD, Passion Red								1							R
1	2833 6000 01 31BF	Assy Cab Complete LHD, Artic White								1							L
1	2833 6000 01 31BM	Assy Cab Complete LHD, Fiji Blue								1							L
1	2833 6000 01 31D3	Assy Cab Complete LHD, Artic Silver								1							L
1	2833 6000 01 31D5	Assy Cab Complete LHD, Timber Green								1							L
1	2833 6000 01 31D7	Assy Cab Complete LHD, Silver Mist								1							L
1	2833 6000 01 31DP	Assy Cab Complete LHD, Passion Red								1							L
1	2833 6000 01 14BF	Assy.Cab Complete LHD, Artic White									1						L
1	2833 6000 01 14BG	Assy.Cab Complete LHD, Burning Red									1						L
1	2833 6000 01 14BM	Assy.Cab Complete LHD, Fiji Blue									1						L
1	2833 6000 01 14BN	Assy.Cab Complete LHD, Ruby Red									1						L
1	2833 6000 01 14D3	Assy.Cab Complete LHD, Artic Silver									1						L
1	2833 6000 01 14D5	Assy.Cab Complete LHD, Timber Green									1						L
1	2833 6000 01 14D7	Assy.Cab Complete LHD, Silver Mist									1						L
1	2833 6000 01 14DP	Assy.Cab Complete LHD, Passion Red									1						L
	2833 6001 Z1 17BM	Assy.Cab Complete RHD, Fiji Blue													1		R



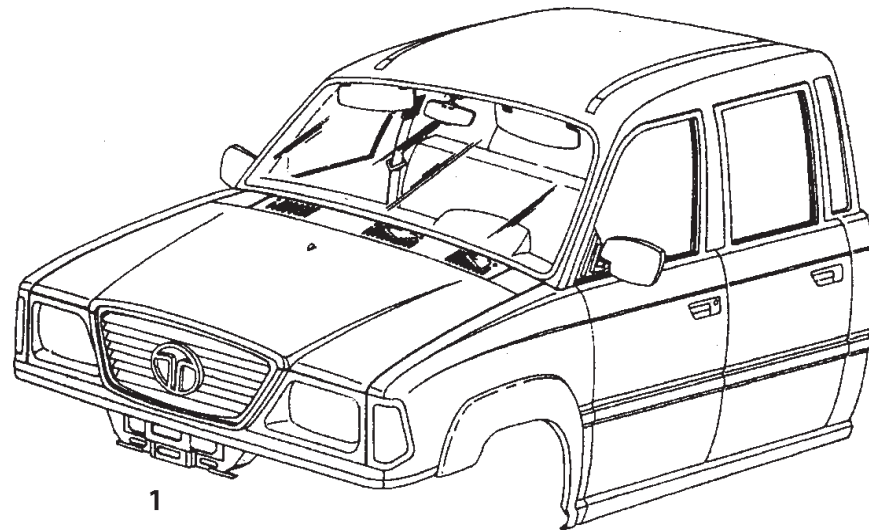
1

TABLE 60.2

ASSY.CAB COMPLETE (CREW CAB)

GROUP 60

FIG. NO.	PART NUMBER	DESCRIPTION	SINGLE CAB						CREW CAB						R/L	REMARKS
			4 x 2				4 x 4		4 x 2			4 x 4				
			AC HD 1	AC HD 2	AC HD 3	HD 4	HD 5	AC HD 6	AC HD 7	AC HD 8	HD 9	AC HD 10	AC HD 11	AC HD 12		
1	2833 6000 01 53BF	Assy Cab Complete RHD, Artic White										1			R	
1	2833 6000 01 53BG	Assy Cab Complete RHD, Burning Red										1			R	
1	2833 6000 01 53BM	Assy Cab Complete RHD, Fiji Blue										1			R	
1	2833 6000 01 53BN	Assy Cab Complete RHD, Ruby Red										1			R	
1	2833 6000 01 53D3	Assy Cab Complete RHD, Artic Silver										1			R	
1	2833 6000 01 53D5	Assy Cab Complete RHD, Timber Green										1			R	
1	2833 6000 01 53D7	Assy Cab Complete RHD, Silver Mist										1			R	
1	2833 6000 01 53DP	Assy Cab Complete RHD, Passion Red										1			R	
1	2833 6000 01 49BF	Assy Cab Complete LHD, Artic White										1			L	
1	2833 6000 01 49BG	Assy Cab Complete LHD, Burning Red										1			L	
1	2833 6000 01 49BM	Assy Cab Complete LHD, Fiji Blue										1			L	
1	2833 6000 01 49BP	Assy Cab Complete LHD, Metallic Silver										1			L	
1	2833 6000 01 49D3	Assy Cab Complete LHD, Artic Silver										1			L	
1	2833 6000 01 49D5	Assy Cab Complete LHD, Timber Green										1			L	
1	2833 6000 01 49D7	Assy Cab Complete LHD, Silver Mist										1			L	
1	2833 6000 01 49DP	Assy Cab Complete LHD, Passion Red										1			L	
1	2833 6000 01 49DU	Assy Cab Complete LHD, Quartz Black										1			L	
1	2833 6000 01 53BF	Assy Cab Complete RHD, Artic White											1		R	
1	2833 6000 01 01BF	Assy Cab Complete LHD, Artic White												1	L	
1	2833 6000 01 01BG	Assy Cab Complete LHD, Burning Red												1	L	



1

TABLE 60.2

ASSY. CAB COMPLETE (CREW CAB)

GROUP 60

FIG. NO.	PART NUMBER	DESCRIPTION	SINGLE CAB				CREW CAB						R/L	REMARKS			
			4 x 2		4 x 4		4 x 2			4 x 4							
			AC HD 1	AC HD 2	AC HD 3	HD 4	HD 5	AC HD 6	AC HD 7	AC HD 8	HD 9	AC HD 10			AC HD 11	AC HD 12	AC HD 13
1	2833 6000 01 01BM	Assy Cab Complete LHD, Fiji Blue													1	L	
1	2833 6000 01 01BP	Assy Cab Complete LHD, Metallic Silver													1	L	
1	2833 6000 01 01D3	Assy Cab Complete LHD, Artic Silver													1	L	
1	2833 6000 01 01D5	Assy Cab Complete LHD, Timber Green													1	L	
1	2833 6000 01 01D7	Assy Cab Complete LHD, Silver Mist													1	L	
1	2833 6000 01 16BM	Assy. Cab Complete RHD Fiji Blue													1	R	UK
1	2833 6000 01 16BF	Assy. Cab Complete RHD Artic White													1	R	UK

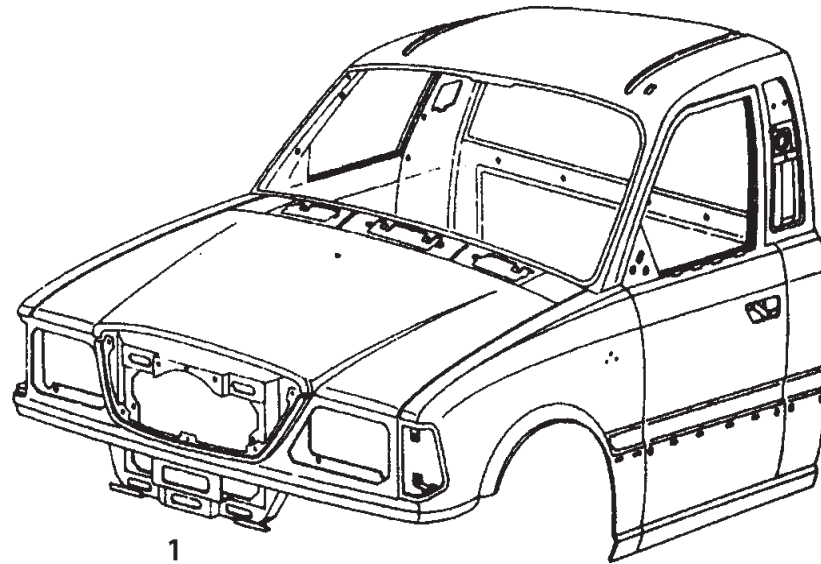


TABLE 60.3

ASSY. BODY SHELL COMPLETE (SINGLE CAB)

GROUP 60

FIG. NO.	PART NUMBER	DESCRIPTION	SINGLE CAB						CREW CAB						R/L	REMARKS	
			4 x 2			4 x 4			4 x 2			4 x 4					
			AC HD 1	AC HD 2	AC HD 3	HD 4	HD 5	AC HD 6	AC HD 7	AC HD 8	HD 9	AC HD 10	AC HD 11	AC HD 12			AC HD 13
		ASSY. BODY SHELL COMPLETE (SINGLE CAB)															
1	2832 6000 01 07BF	Assy Body Shell Complete Painted, Artic White	1		1												L
1	2832 6000 01 07BG	Assy Body Shell Complete Painted, Mica Burning Red	1		1												L
1	2832 6000 01 07BM	Assy Body Shell Complete Painted, Fiji Blue	1		1												L
1	2832 6000 01 07D3	Assy Body Shell Complete Painted, Artic Silver	1		1												L
1	2832 6000 01 07D5	Assy Body Shell Complete Painted, Timber Green	1		1												L
1	2832 6000 01 07D7	Assy Body Shell Complete Painted, Silver Mist	1		1												L
1	2832 6000 01 07DP	Assy Body Shell Complete Painted, Passion Red	1		1												L
1	2832 6000 01 47BF	Assy Body Shell Complete Painted, Artic White		1													R
1	2832 6000 01 47BG	Assy Body Shell Complete Painted, Mica Burning Red		1													R
1	2832 6000 01 47BM	Assy Body Shell Complete Painted, Fiji Blue		1													R
1	2832 6000 01 47D3	Assy Body Shell Complete Painted, Artic Silver		1													R
1	2832 6000 01 47D5	Assy Body Shell Complete Painted, Timber Green		1													R
1	2832 6000 01 47D7	Assy Body Shell Complete Painted, Silver Mist		1													R
1	2832 6000 01 02D7	Assy Body Shell Complete Painted, Silver Mist			1												R
1	2832 6000 01 27BF	Assy Body Shell Complete Painted, Artic White				1											L
1	2832 6000 01 27BM	Assy Body Shell Complete Painted, Fiji Blue				1											L
1	2832 6000 01 27BN	Assy Body Shell Complete Painted, Ruby Red				1											L
1	2832 6000 01 27BP	Assy Body Shell Complete Painted, Metallic Silver				1											L
1	2832 6000 01 27D3	Assy Body Shell Complete Painted, Artic Silver				1											L

TABLE 60.3

ASSY. BODY SHELL COMPLETE (SINGLE CAB)

GROUP 60

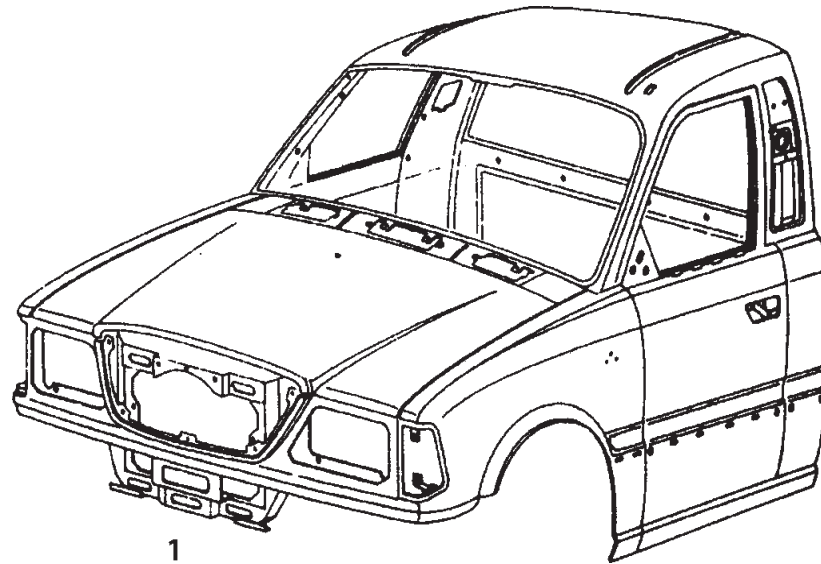


TABLE 60.3

ASSY. BODY SHELL COMPLETE (SINGLE CAB)

GROUP 60

FIG. NO.	PART NUMBER	DESCRIPTION	SINGLE CAB						CREW CAB						R/L	REMARKS		
			4 x 2			4 x 4			4 x 2			4 x 4						
			AC HD 1	AC HD 2	AC HD 3	HD 4	HD 5	AC HD 6	AC HD 7	AC HD 8	HD 9	AC HD 10	AC HD 11	AC HD 12			AC HD 13	HD 14
1	2832 6000 01 27D5	Assy Body Shell Complete Painted, Timber Green				1											L	
1	2832 6000 01 27D7	Assy Body Shell Complete Painted, Silver Mist				1											L	
1	2832 6000 01 27DP	Assy Body Shell Complete Painted, Passion Red				1											L	
1	2832 6000 01 22BF	Assy Body Shell Complete Painted, Artic White				1											R	
1	2832 6000 01 22BG	Assy Body Shell Complete Painted, Mica Burning Red				1											R	
1	2832 6000 01 22BM	Assy Body Shell Complete Painted, Fiji Blue				1											R	
1	2832 6000 01 22BN	Assy Body Shell Complete Painted, Ruby Red				1											R	
1	2832 6000 01 22D3	Assy Body Shell Complete Painted, Artic Silver				1											R	
1	2832 6000 01 22D5	Assy Body Shell Complete Painted, Timber Green				1											R	
1	2832 6000 01 22D7	Assy Body Shell Complete Painted, Silver Mist				1											R	
1	2832 6000 01 22DP	Assy Body Shell Complete Painted, Passion Red				1											R	
1	2832 6000 01 36BF	Assy Body Shell Complete Painted, Artic White														1	L	
1	2832 6000 01 36BM	Assy Body Shell Complete Painted, Fiji Blue														1	L	
1	2832 6000 01 36BN	Assy Body Shell Complete Painted, Ruby Red														1	L	
1	2832 6000 01 36D3	Assy Body Shell Complete Painted, Artic Silver														1	L	
1	2832 6000 01 36D5	Assy Body Shell Complete Painted, Timber Green														1	L	
1	2832 6000 01 36D7	Assy Body Shell Complete Painted, Silver Mist														1	L	
1	2832 6000 01 36DP	Assy Body Shell Complete Painted, Passion Red														1	L	
1	2832 6000 01 32BF	Assy Body Shell Complete Painted, Artic White														1	R	
1	2832 6000 01 32BG	Assy Body Shell Complete Painted, Mica Burning Red														1	R	

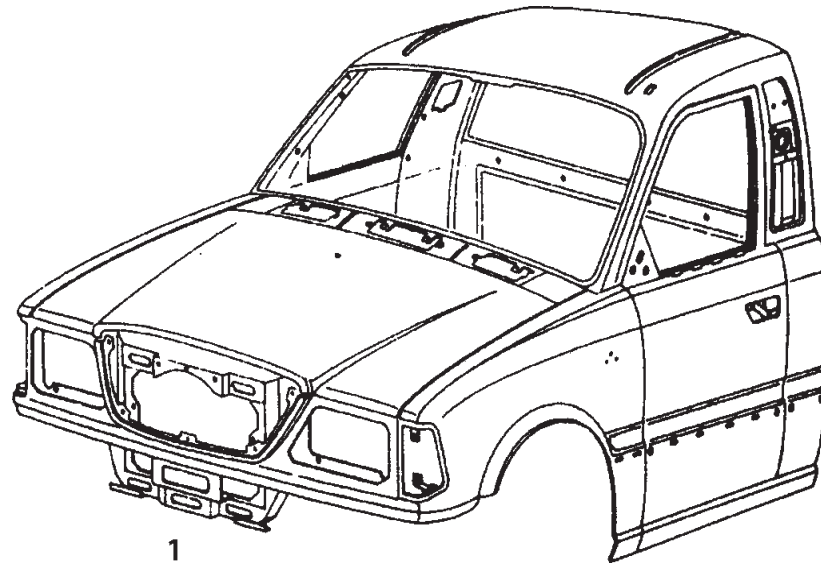


TABLE 60.3

ASSY. BODY SHELL COMPLETE (SINGLE CAB)

GROUP 60

FIG. NO.	PART NUMBER	DESCRIPTION	SINGLE CAB						CREW CAB						R/L	REMARKS	
			4 x 2				4 x 4		4 x 2			4 x 4					
			AC HD 1	AC HD 2	AC HD 3	HD 4	HD 5	AC HD 6	AC HD 7	AC HD 8	HD 9	AC HD 10	AC HD 11	AC HD 12			AC HD 13
1	2832 6000 01 32BM	Assy Body Shell Complete Painted, Fiji Blue					1										R
1	2832 6000 01 32BN	Assy Body Shell Complete Painted, Ruby Red					1										R
1	2832 6000 01 32D3	Assy Body Shell Complete Painted, Artic Silver					1										R
1	2832 6000 01 32D5	Assy Body Shell Complete Painted, Timber Green					1										R
1	2832 6000 01 32D7	Assy Body Shell Complete Painted, Silver Mist					1										R
1	2832 6000 01 32DP	Assy Body Shell Complete Painted, Passion Red					1										R
1	2832 6000 01 12BF	Assy Body Shell Complete Painted, Artic White														1	L
1	2832 6000 01 12BM	Assy Body Shell Complete Painted, Fiji Blue														1	L
1	2832 6000 01 12D3	Assy Body Shell Complete Painted, Artic Silver														1	L
1	2832 6000 01 12D5	Assy Body Shell Complete Painted, Timber Green														1	L
1	2832 6000 01 12D7	Assy Body Shell Complete Painted, Silver Mist														1	L
1	2832 6000 01 12DP	Assy Body Shell Complete Painted, Passion Red														1	L
1	2832 6000 01 17BF	Assy Body Shell Complete Painted, Artic White														1	R
1	2832 6000 01 17BG	Assy Body Shell Complete Painted, Mica Burning Red														1	R
1	2832 6000 01 17BM	Assy Body Shell Complete Painted, Fiji Blue														1	R
1	2832 6000 01 17D3	Assy Body Shell Complete Painted, Artic Silver														1	R
1	2832 6000 01 17D5	Assy Body Shell Complete Painted, Timber Green														1	R
1	2832 6000 01 17D7	Assy Body Shell Complete Painted, Silver Mist														1	R
1	2832 6000 01 17DP	Assy Body Shell Complete Painted, Passion Red														1	R

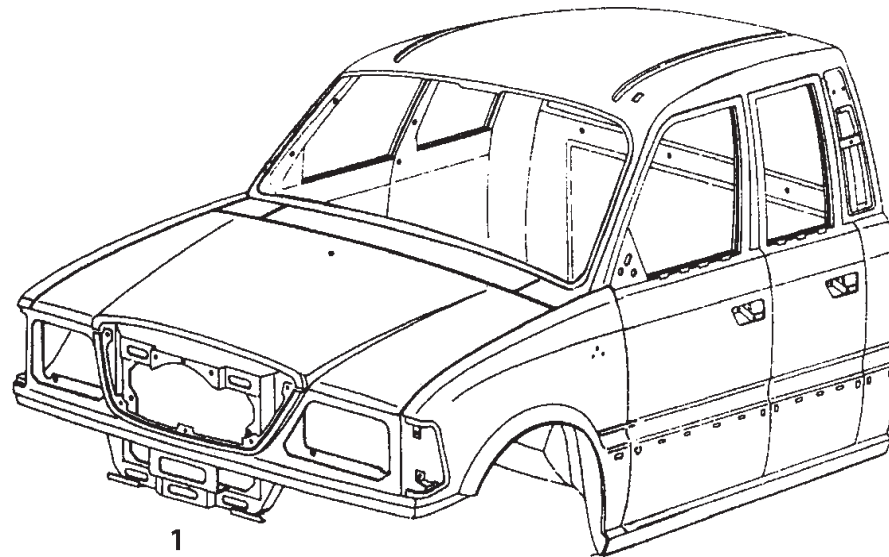


TABLE 60.4

ASSY. BODY SHELL COMPLETE (CREW CAB)

GROUP 60

FIG. NO.	PART NUMBER	DESCRIPTION	SINGLE CAB						CREW CAB						R/L	REMARKS		
			4 x 2				4 x 4		4 x 2			4 x 4						
			AC HD 1	AC HD 2	AC HD 3	HD 4	HD 5	AC HD 6	AC HD 7	AC HD 8	HD 9	AC HD 10	AC HD 11	AC HD 12			AC HD 13	HD 14
		ASSY. BODY SHELL COMPLETE (CREW CAB)																
1	2833 6000 01 82BF	Assy Body Shell Complete Painted, Artic White								1			1					L
1	2833 6000 01 82BG	Assy Body Shell Complete Painted, Mica Burning Red								1			1					L
1	2833 6000 01 82BM	Assy Body Shell Complete Painted, Fiji Blue								1			1					L
1	2833 6000 01 82BN	Assy Body Shell Complete Painted, Ruby Red								1			1					L
1	2833 6000 01 82D3	Assy Body Shell Complete Painted, Artic Silver								1			1					L
1	2833 6000 01 82D5	Assy Body Shell Complete Painted, Timber Green								1			1					L
1	2833 6000 01 82D7	Assy Body Shell Complete Painted, Silver Mist								1			1					L
1	2833 6000 01 82DP	Assy Body Shell Complete Painted, Passion Red								1			1					L
1	2833 6000 01 82DU	Assy Body Shell Complete Painted, Quartz Black								1			1					L
1	2833 6000 01 32BF	Assy Body Shell Complete Painted, Artic White									1							L
1	2833 6000 01 32BM	Assy Body Shell Complete Painted, Fiji Blue									1							L
1	2833 6000 01 32D3	Assy Body Shell Complete Painted, Artic Silver									1							L
1	2833 6000 01 32D5	Assy Body Shell Complete Painted, Timber Green									1							L
1	2833 6000 01 32D7	Assy Body Shell Complete Painted, Silver Mist									1							L
1	2833 6000 01 32DP	Assy Body Shell Complete Painted, Passion Red									1							L
1	2833 6000 01 37BF	Assy Body Shell Complete Painted, Artic White									1							R
1	2833 6000 01 37BG	Assy Body Shell Complete Painted, Mica Burning Red									1							R
1	2833 6000 01 37BM	Assy Body Shell Complete Painted, Fiji Blue									1							R
1	2833 6000 01 37BN	Assy Body Shell Complete Painted, Ruby Red									1							R

TABLE 60.4

ASSY. BODY SHELL COMPLETE (CREW CAB)

GROUP 60

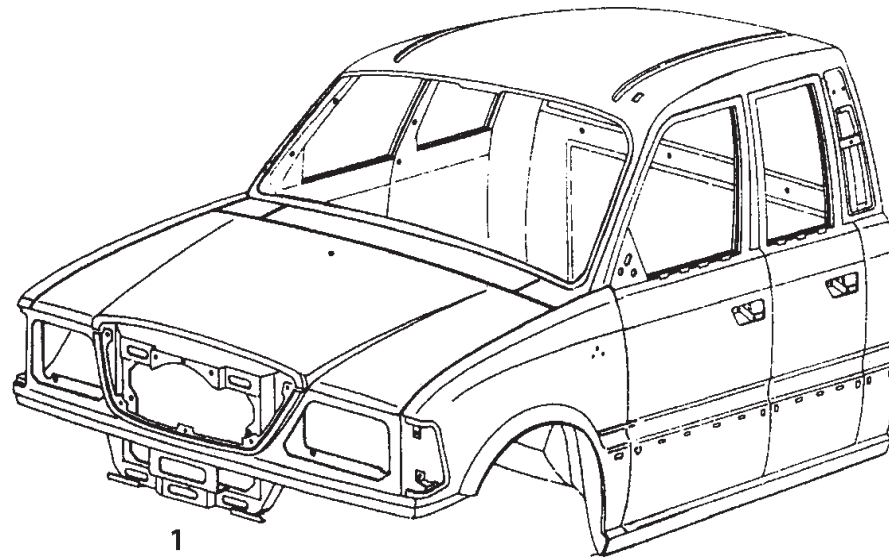


TABLE 60.4

ASSY. BODY SHELL COMPLETE (CREW CAB)

GROUP 60

FIG. NO.	PART NUMBER	DESCRIPTION	SINGLE CAB					CREW CAB					R/L	REMARKS		
			4 x 2				4 x 4	4 x 2			4 x 4					
			AC HD 1	AC HD 2	AC HD 3	HD 4	HD 5	AC HD 6	AC HD 7	AC HD 8	HD 9	AC HD 10			AC HD 11	AC HD 12
1	2833 6000 01 37D3	Assy Body Shell Complete Painted, Artic Silver								1						R
1	2833 6000 01 37D5	Assy Body Shell Complete Painted, Timber Green								1						R
1	2833 6000 01 37D7	Assy Body Shell Complete Painted, Silver Mist								1						R
1	2833 6000 01 37DP	Assy Body Shell Complete Painted, Passion Red								1						R
1	2833 6000 01 82BF	Assy Body Shell Complete Painted, Artic White									1					L
1	2833 6000 01 82BG	Assy Body Shell Complete Painted, Mica Burning Red									1					L
1	2833 6000 01 82BM	Assy Body Shell Complete Painted, Fiji Blue									1					L
1	2833 6000 01 82BN	Assy Body Shell Complete Painted, Ruby Red									1					L
1	2833 6000 01 82D3	Assy Body Shell Complete Painted, Artic Silver									1					L
1	2833 6000 01 82D5	Assy Body Shell Complete Painted, Timber Green									1					L
1	2833 6000 01 82D7	Assy Body Shell Complete Painted, Silver Mist									1					L
1	2833 6000 01 82DP	Assy Body Shell Complete Painted, Passion Red									1					L
1	2833 6000 01 82DU	Assy Body Shell Complete Painted, Quartz Black									1					L
1	2833 6000 Z1 85BM	Assy Body Shell Complete Painted, Fiji Blue							1			1				R
1	2833 6000 01 50BF	Assy Body Shell Complete Painted, Artic White											1			L
1	2833 6000 01 50BG	Assy Body Shell Complete Painted, Mica Burning Red											1			L
1	2833 6000 01 50BM	Assy Body Shell Complete Painted, Fiji Blue											1			L
1	2833 6000 01 50BP	Assy Body Shell Complete Painted, Metallic Silver											1			L
1	2833 6000 01 50D3	Assy Body Shell Complete Painted, Artic Silver											1			L
1	2833 6000 01 50D5	Assy Body Shell Complete Painted, Timber Green											1			L

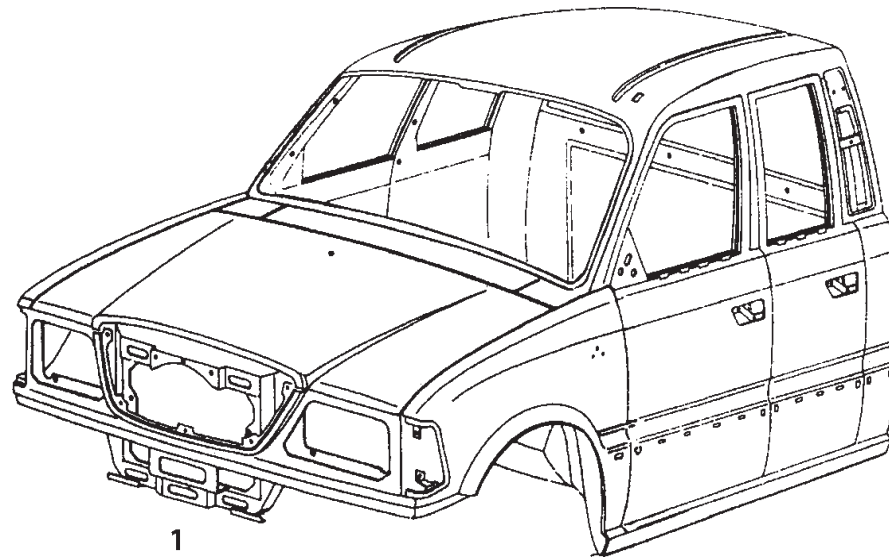


TABLE 60.4

ASSY. BODY SHELL COMPLETE (CREW CAB)

GROUP 60

FIG. NO.	PART NUMBER	DESCRIPTION	SINGLE CAB				CREW CAB						R/L	REMARKS		
			4 x 2		4 x 4		4 x 2			4 x 4						
			AC HD 1	AC HD 2	AC HD 3	HD 4	HD 5	AC HD 6	AC HD 7	AC HD 8	HD 9	AC HD 10			AC HD 11	AC HD 12
1	2833 6000 01 50D7	Assy Body Shell Complete Painted, Silver Mist										1			L	
1	2833 6000 01 50DP	Assy Body Shell Complete Painted, Passion Red										1			L	
1	2833 6000 01 50DU	Assy Body Shell Complete Painted, Quartz Black										1			L	
1	2833 6000 01 54BF	Assy Body Shell Complete Painted, Artic White										1			R	
1	2833 6000 01 54BG	Assy Body Shell Complete Painted, Mica Burning Red										1			R	
1	2833 6000 01 54BM	Assy Body Shell Complete Painted, Fiji Blue										1			R	
1	2833 6000 01 54BN	Assy Body Shell Complete Painted, Ruby Red										1			R	
1	2833 6000 01 54D3	Assy Body Shell Complete Painted, Artic Silver										1			R	
1	2833 6000 01 54D5	Assy Body Shell Complete Painted, Timber Green										1			R	
1	2833 6000 01 54D7	Assy Body Shell Complete Painted, Silver Mist										1			R	
1	2833 6000 01 54DP	Assy Body Shell Complete Painted, Passion Red										1			R	
1	2833 6000 01 54BF	Assy Body Shell Complete Painted, Artic White											1		R	
1	2833 6000 01 02BF	Assy Body Shell Complete Painted, Artic White												1	L	
1	2833 6000 01 02BG	Assy Body Shell Complete Painted, Mica Burning Red												1	L	
1	2833 6000 01 02BM	Assy Body Shell Complete Painted, Fiji Blue												1	L	
1	2833 6000 01 02BP	Assy Body Shell Complete Painted, Metallic Silver												1	L	
1	2833 6000 01 02D3	Assy Body Shell Complete Painted, Artic Silver												1	L	
1	2833 6000 01 02D5	Assy Body Shell Complete Painted, Timber Green												1	L	
1	2833 6000 01 02D7	Assy Body Shell Complete Painted, Silver Mist												1	L	
	2833 6000 01 12BM	Assy. Body Shell Complete Painted Figi Blue												1	R	UK
	2833 6000 01 17BF	Assy. Body Shell Complete Painted Artic White												1	R	UK

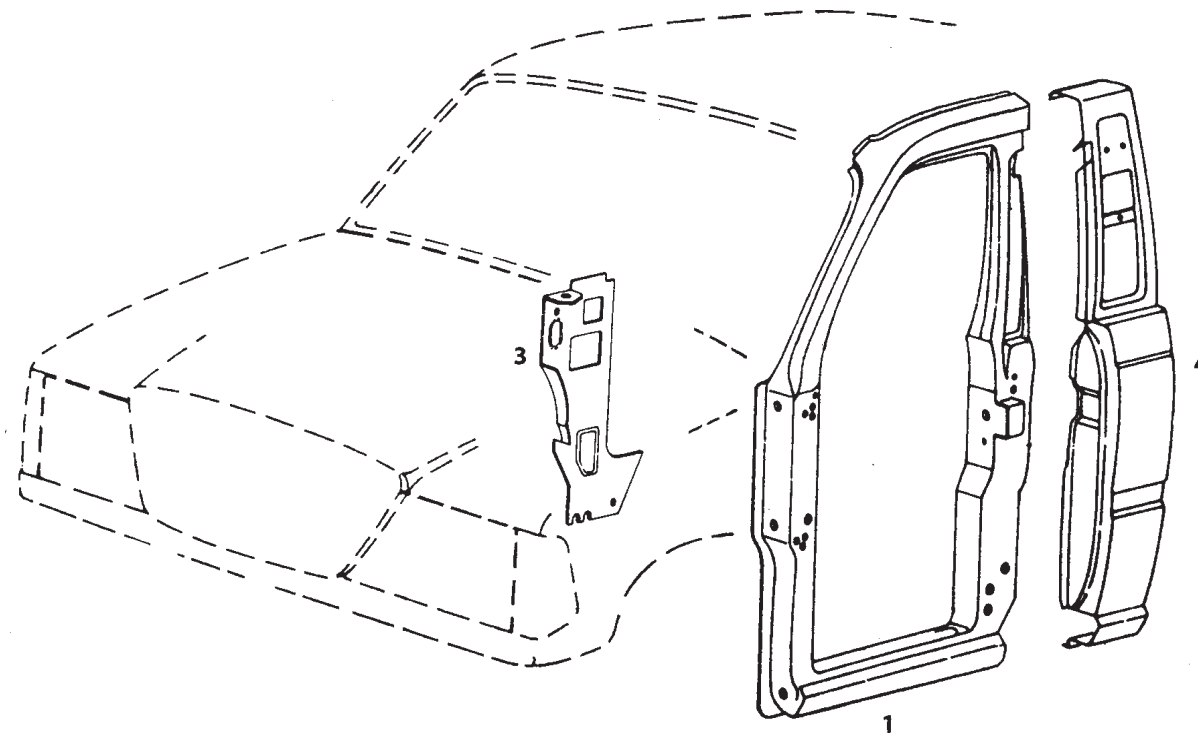


TABLE 60.5

SHEET METAL PARTS (SINGLE CAB)

GROUP 60

FIG. NO.	PART NUMBER	DESCRIPTION	SINGLE CAB				CREW CAB				R/L	REMARKS					
			4 x 2		4 x 4		4 x 2		4 x 4								
			AC HD 1	AC HD 2	AC HD 3	HD 4	HD 5	AC HD 6	AC HD 7	AC HD 8			HD 9	AC HD 10	AC HD 11	AC HD 12	AC HD 13
		SHEET METAL PARTS (SINGLE CAB)															
1	2654 6310 82 57	Door Post Frame LH		1	1	1	1			1							R
1	2654 6310 82 60	Door Post Frame LH	1		1	1	1	1		1							L
1	2654 6310 82 58	Door Post Frame RH		1	1	1	1			1							R
1	2654 6310 82 59	Door Post Frame RH	1		1	1	1	1	1	1							L
3	2654 6360 82 04	Panel Post Side LH	1	1	1	1	1	1	1	1							
3	2654 6360 82 05	Panel Post Side RH	1	1	1	1	1	1	1	1							
4	2654 6370 82 15	Panel Outer Corner LH (R/W Side)	1	1	1	1	1	1	1	1							
4	2654 6370 82 16	Panel Outer Corner RH (R/W Side)	1	1	1	1	1	1	1	1							

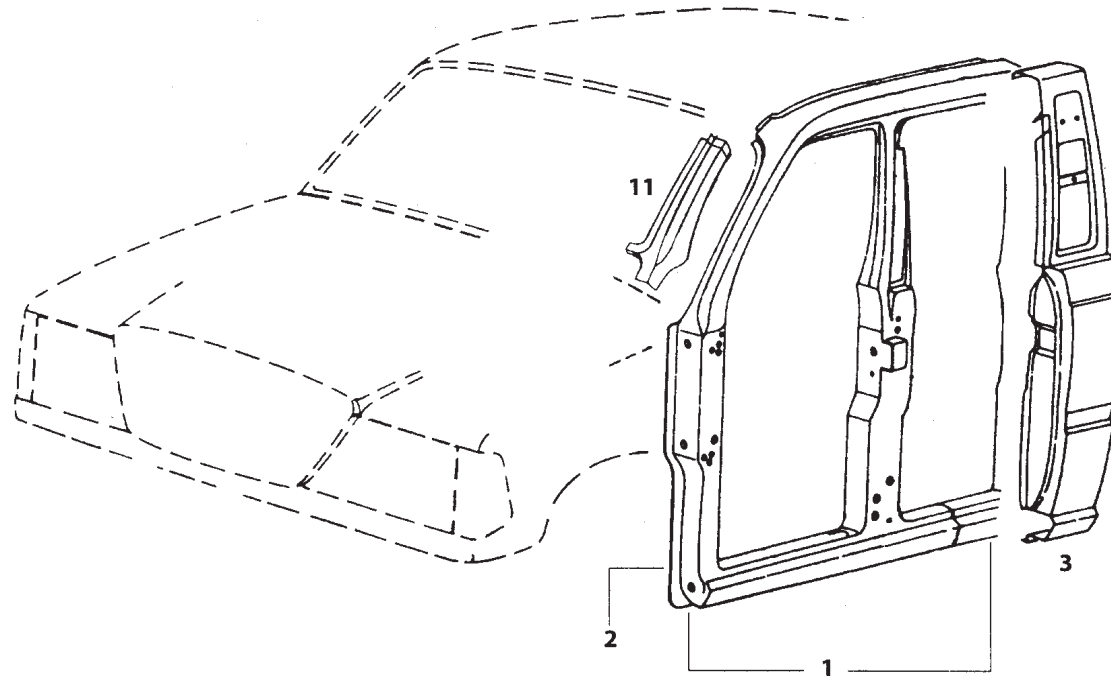


TABLE 60.6

SHEET METAL PARTS (CREW CAB)

GROUP 60

FIG. NO.	PART NUMBER	DESCRIPTION	SINGLE CAB				CREW CAB				R/L	REMARKS						
			4 x 2		4 x 4		4 x 2		4 x 4									
			AC HD 1	AC HD 2	AC HD 3	HD 4	HD 5	AC HD 6	AC HD 7	AC HD 8			HD 9	AC HD 10	AC HD 11	AC HD 12	AC HD 13	HD 14
		SHEET METAL PARTS (CREW CAB)																
1	2701 6300 01 05	Assy. Side Wall LH, RHD								1	1		1	1	1			R
1	2701 6300 01 06	Assy. Side Wall RH, RHD								1	1		1	1	1			R
1	2701 6300 01 07	Assy. Side Wall LH, LHD								1	1	1		1		1		L
1	2701 6300 01 08	Assy. Side Wall RH, LHD								1	1	1		1		1		L
2	2658 6310 82 54	Door Post Frame LH								1	1			1	1			
2	2658 6310 82 55	Door Post Frame RH								1	1			1	1			
2	2658 6310 C2 54	Door Post Frame LH											1					
2	2658 6310 C2 55	Door Post Frame RH											1					
2	2658 6310 82 60	Door Post Frame LH										1		1		1		L
2	2658 6310 82 61	Door Post Frame RH										1		1		1		L
3	2701 6310 82 15	Door Post Frame Rear LH								1	1	1		1	1	1		
3	2701 6310 82 16	Door Post Frame Rear RH								1	1	1		1	1	1		
3	2701 6310 C2 15	Door Post Frame Rear LH											1					
3	2701 6310 C2 16	Door Post Frame Rear RH											1					
11	2654 6360 82 17	Panel Side W/s Inner LH								1	1	1	1	1	1	1		
11	2654 6360 82 18	Panel Side W/s Inner RH								1	1	1	1	1	1	1		

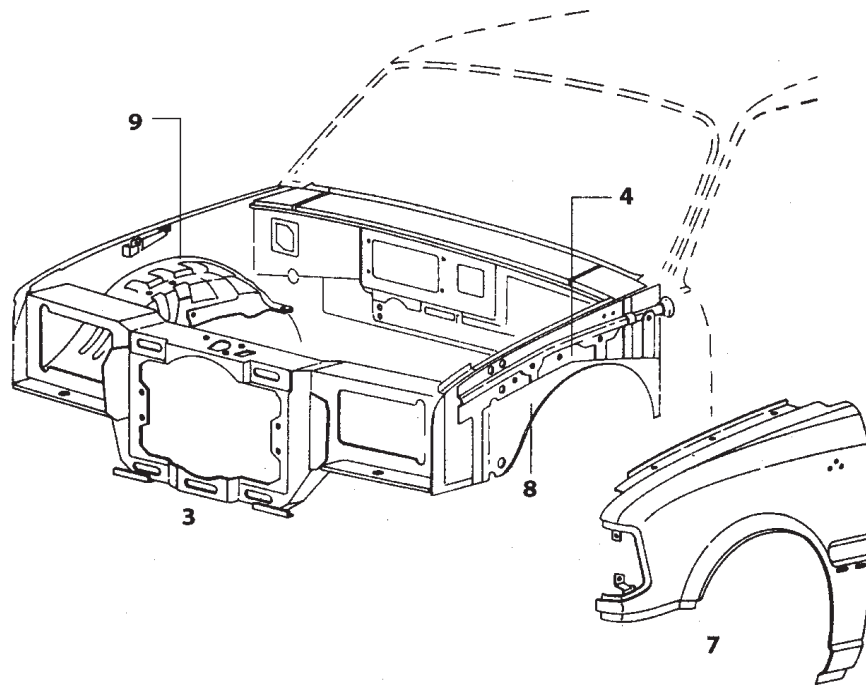


TABLE 60.7

SHEET METAL PARTS (SINGLE CAB)

GROUP 60

FIG. NO.	PART NUMBER	DESCRIPTION	SINGLE CAB						CREW CAB						R/L	REMARKS	
			4 x 2			4 x 4			4 x 2			4 x 4					
			AC HD 1	AC HD 2	AC HD 3	HD 4	HD 5	AC HD 6	AC HD 7	AC HD 8	HD 9	AC HD 10	AC HD 11	AC HD 12			AC HD 13
		SHEET METAL PARTS (SINGLE CAB)															
3	2658 6010 01 44	Assy. Tie Member Complete	1	1	1	1	1	1	1								
4	2659 6060 01 19	Assy. Panel Inner Side Bonnet LH		1	1	1	1		1								R
4	2659 6060 01 12	Assy. Panel Inner Side Bonnet RH		1	1	1	1		1								R
4	2658 6060 01 18	Assy. Panel Inner Side Bonnet LH	1		1	1	1	1	1								L
4	2658 6060 01 05	Assy. Panel Inner Side Bonnet RH	1		1	1	1	1	1								L
7	2659 8810 01 09	Assy. Bonnet Side LH	1	1	1	1	1	1	1								
7	2659 8810 01 10	Assy. Bonnet Side RH	1	1	1	1	1	1	1								
8	2654 8810 01 03	Assy. Reinforcement LH (Side Bonnet)	1	1	1	1	1	1	1								
8	2654 8810 01 04	Assy. Reinforcement RH (Side Bonnet)	1	1	1	1	1	1	1								
9	2659 6060 01 09	Assy. Mudguard Front LH	1	1	1	1	1	1	1								
9	2654 6060 01 32	Assy. Mudguard Front RH	1		1	1	1	1	1								L
9	2659 6060 01 13	Assy. Mudguard Front RH		1	1	1	1		1								R

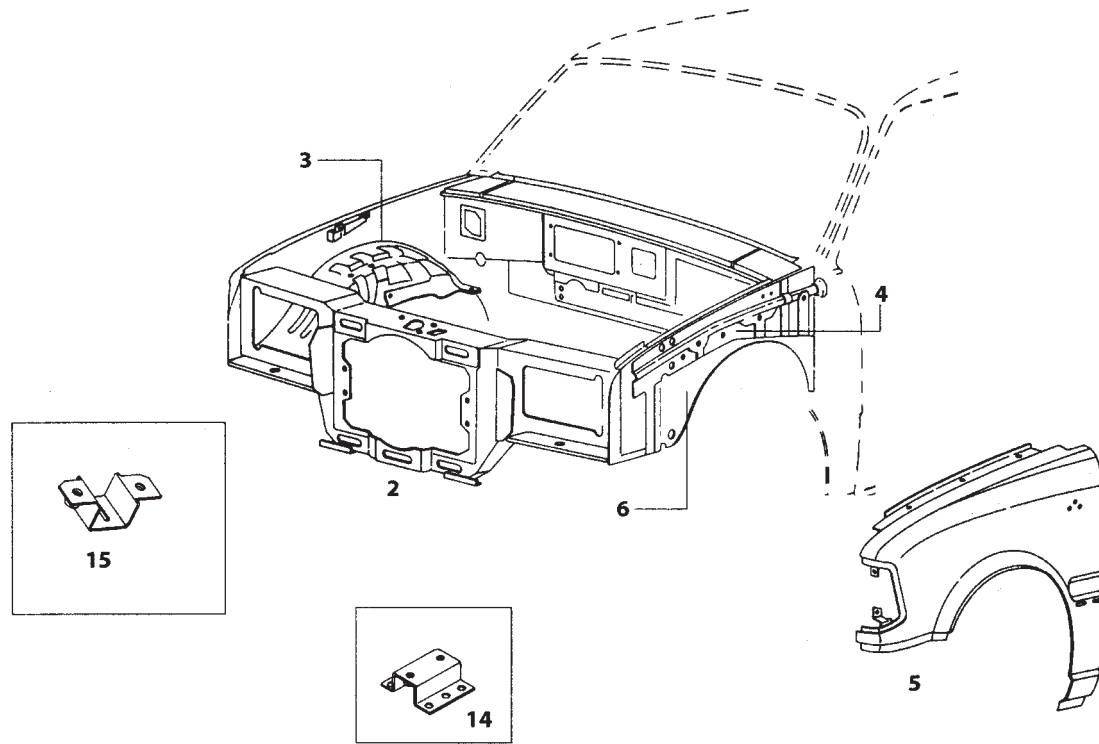


TABLE 60.8

SHEET METAL PARTS (CREW CAB)

GROUP 60

FIG. NO.	PART NUMBER	DESCRIPTION	SINGLE CAB				CREW CAB						R/L	REMARKS			
			4 x 2		4 x 4		4 x 2			4 x 4							
			AC HD 1	AC HD 2	AC HD 3	HD 4	HD 5	AC HD 6	AC HD 7	AC HD 8	HD 9	AC HD 10			AC HD 11	AC HD 12	AC HD 13
		SHEET METAL PARTS (CREW CAB)															
2	2658 6010 01 44	Assy.Tie Member Complete							1	1	1	1	1	1	1		
3	2659 6060 01 09	Assy.Mudguard Front LH							1	1	1	1	1	1	1		
3	2659 6060 01 13	Assy.Mudguard Front RH							1	1		1	1	1		R	
3	2654 6060 01 32	Assy.Mudguard Front RH							1	1	1		1		1	L	
4	2659 6060 01 19	Panel Inner Side Bonnet LH							1	1		1	1	1		R	
4	2658 6060 01 18	Panel Inner Side Bonnet LH							1	1	1		1		1	L	
	2659 6060 01 12	Panel Inner Side Bonnet RH							1	1		1	1	1		R	
	2658 6060 01 05	Panel Inner Side Bonnet RH							1	1	1		1		1	L	
5	2659 8810 01 09	Assy.Bonnet Side LH							1	1	1		1	1	1		
(5)	2659 8810 01 10	Assy.Bonnet Side RH							1	1	1		1	1	1		
	2659 8810 Z1 09	Assy.Bonnet Side LH										1					
	2659 8810 Z1 10	Assy.Bonnet Side RH										1					
6	2654 8810 01 11	Assy.Reinforcement LH							1	1	1	1	1	1	1		
(6)	2654 8810 01 12	Assy.Reinforcement RH							1	1	1	1	1	1	1		
14	2658 5470 01 12	Assy.Blocon Unit Mounting Bracket							1	1		1	1	1			
15	2658 6010 01 34	Assy.Bracket Head Lamp Mtg.							4	4	4	4	4	4	4		

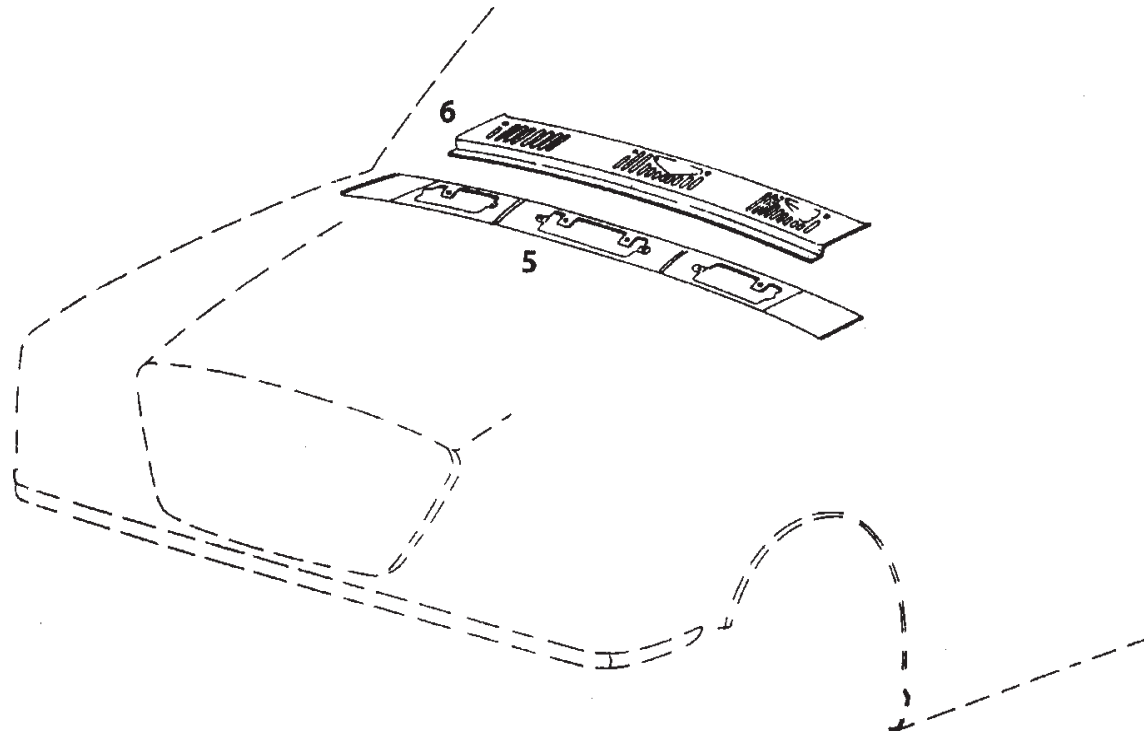


TABLE 60.9

SHEET METAL PARTS

GROUP 60

FIG. NO.	PART NUMBER	DESCRIPTION	SINGLE CAB							CREW CAB							R/L	REMARKS
			4 x 2				4 x 4			4 x 2				4 x 4				
			AC HD 1	AC HD 2	AC HD 3	HD 4	HD 5	AC HD 6	AC HD 7	AC HD 8	HD 9	AC HD 10	AC HD 11	AC HD 12	AC HD 13	HD 14		
		SHEET METAL PARTS																
5	2654 6250 82 01	Panel W/S Outer Bottom	1	1	1	1	1	1	1	1	1	1	1	1	1			
6	2654 8110 82 01	Cover Panel (Panel Outer W/S Bottom)		1	1	1	1		1	1	1		1	1	1		R	
6	2654 8110 82 05	Cover Panel (Panel Outer W/S Bottom)	1		1	1	1	1	1	1	1	1		1		1	L	

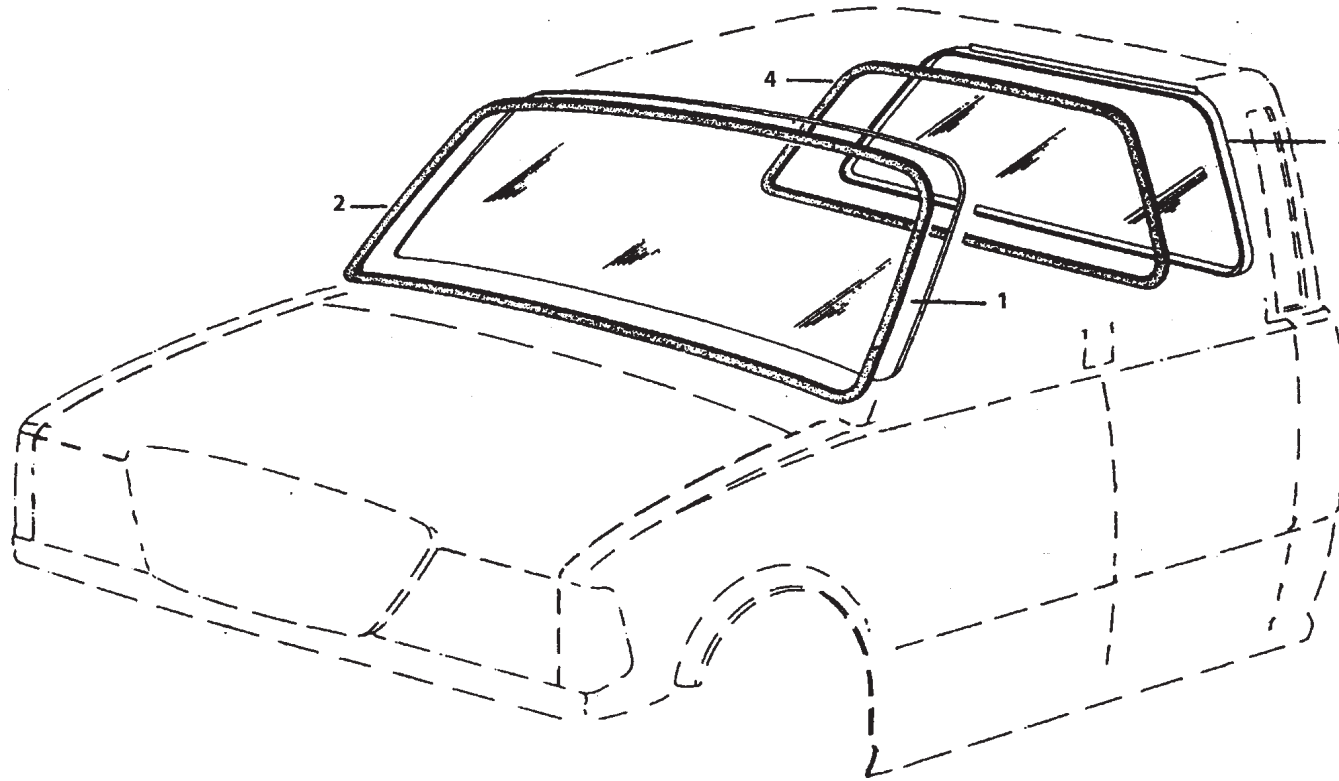


TABLE 67.1

WIND SHIELD GLASS

GROUP 67

FIG. NO.	PART NUMBER	DESCRIPTION	SINGLE CAB						CREW CAB						R/L	REMARKS		
			4 x 2				4 x 4		4 x 2				4 x 4					
			AC HD 1	AC HD 2	AC HD 3	HD 4	HD 5	AC HD 6	AC HD 7	AC HD 8	HD 9	AC HD 10	AC HD 11	AC HD 12			AC HD 13	HD 14
		WIND SHIELD GLASS																
1	2658 6710 23 15	Wind Shield Glass	1	1	1	1	1	1	1	1	1	1	1	1	1			
2	2654 6710 63 01	Rubber Mould (Wind Screen Glass)	1	1	1	1	1	1	1	1	1	1	1	1	1			
3	2654 6780 23 06	Fixed Glass (Rear Window)	1	1	1	1	1	1	1	1	1	1	1	1	1			
4	2654 6710 63 03	Rubber Mould (Rear Window)	1	1	1	1	1	1	1	1	1	1	1	1	1			

TABLE 68.1

DASH BOARD

GROUP 68

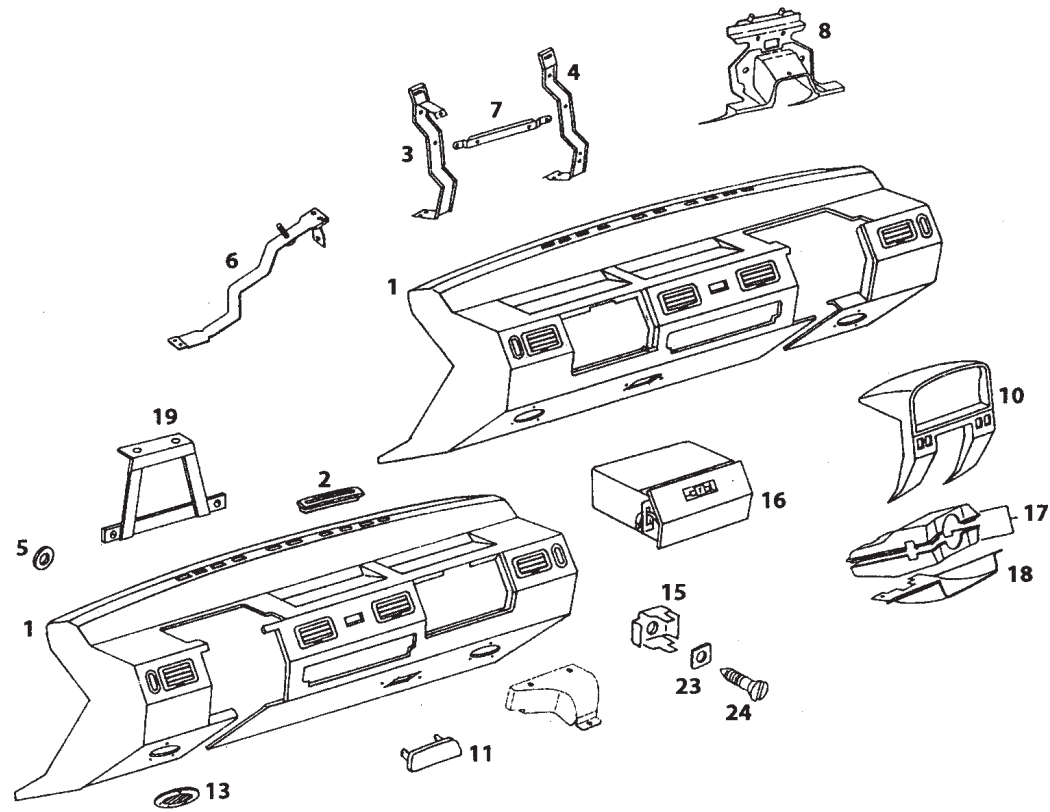


TABLE 68.1
DASH BOARD
GROUP 68

FIG. NO.	PART NUMBER	DESCRIPTION	SINGLE CAB							CREW CAB							R/L	REMARKS		
			4 x 2				4 x 4			4 x 2				4 x 4						
			AC HD 1	AC HD 2	AC HD 3	HD 4	HD 5	AC HD 6	AC HD 7	AC HD 8	HD 9	AC HD 10	AC HD 11	AC HD 12	AC HD 13	HD 14				
		DASH BOARD																		
1	265968906369	Dash Board LHD Dark Gray (Soft Feel)	1	1	1	1						1	1	1						L
1	265968906368	Dash Board RHD Dark Gray (Soft Feel)	1	1	1	1						1	1	1						R
1	266068906322	Dash Board LHD Dark Gray (Soft Feel)	1	1	1				1	1	1			1	1	1	1			L
1	266068906323	Dash Board RHD Dark Gray (Soft Feel)	1	1	1		1	1	1	1		1		1	1	1	1			R
2	265468906345	Garnish For middle Defrost	2	2	2	2	2	2	2	2	2	2	2	2	2	2	2	2	2	
3	265468900176	Assy Stiffner (Dash Board)	2	2	2	2	2	2	2	2	2	2	2	2	2	2	2	2	2	
4	265468900172	Assy Mounting Bracket (Glove Box Side)	1	1	1	1	1	1	1	1	1	1	1	1	1	1	1	1	1	
5	265468906341	Rubber Spacer.	1	1	1	1	1	1	1	1	1	1	1	1	1	1	1	1	1	
6	265468900170	Assy Mounting Bracket (Driver Side)	1	1	1	1	1	1	1	1	1	1	1	1	1	1	1	1	1	
7	265468900164	Assy Support (Glove Box)	1	1	1	1	1	1	1	1	1	1	1	1	1	1	1	1	1	
8	265468900169	Assy Reinforcement-for Plastic Dashboard	1	1	1	1	1	1	1	1	1	1	1	1	1	1	1	1	1	
--	265454200113	Assy Cluster Mounting Bracket Upper	1	1	1	1	1	1	1	1	1	1	1	1	1	1	1	1	1	
10	265468910151	Assy Instrument Shroud Dark Grey (Soft Feel)	1	1	1	1	1	1	1	1	1	1	1	1	1	1	1	1	1	
11	265468906380	Screw Cap- LH (Dark Grey)	1	1	1	1	1	1	1	1	1	1	1	1	1	1	1	1	1	
11	265468906381	Screw Cap- RH (Dark Grey)	1	1	1	1	1	1	1	1	1	1	1	1	1	1	1	1	1	
13	265468906316	Cover Speaker Apparture (Dash Board)	2	2	2	2	2	2	2	2	2	2	2	2	2	2	2	2	2	
15	265468908222	Retainer	4	4	4	4	4	4	4	4	4	4	4	4	4	4	4	4	4	
16	265468910149	Assy Glove Box Complete Dark Grey(Soft Feel)	1	1	1	1	1	1	1	1	1	1	1	1	1	1	1	1	1	
17	283268900105	Nacelle Set Dark Grey	1	1	1	1	1	1	1	1	1	1	1	1	1	1	1	1	1	

TABLE 68.1

DASH BOARD

GROUP 68

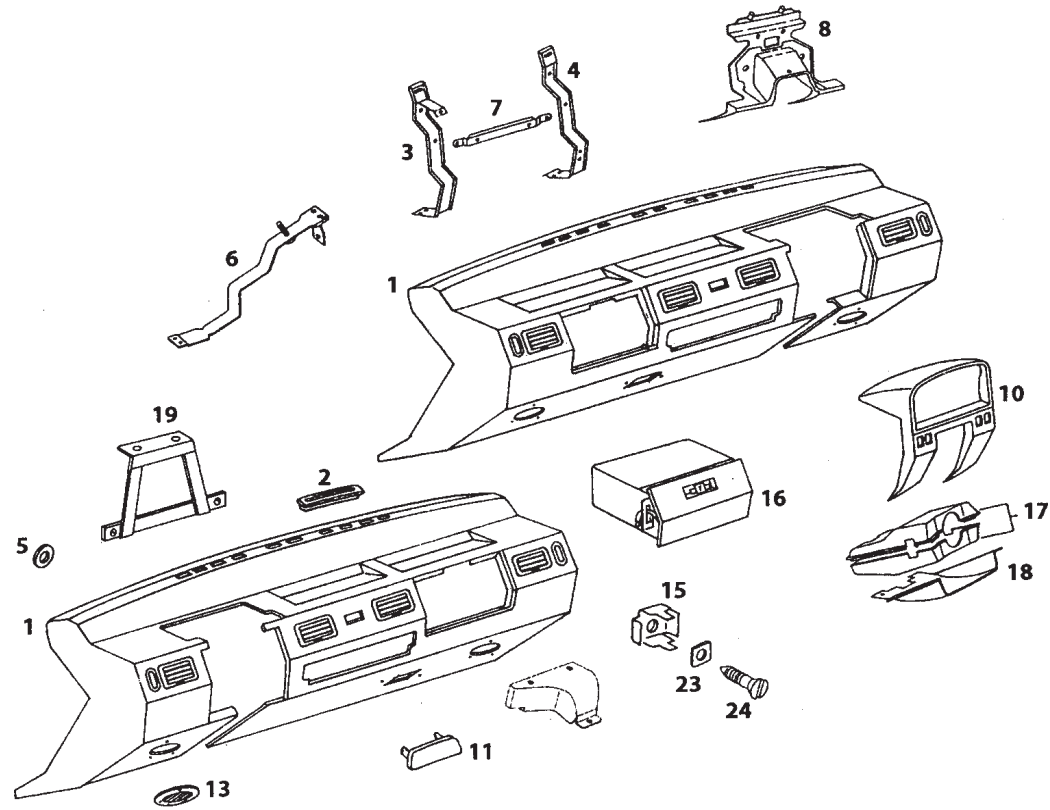


TABLE 68.1

DASH BOARD

GROUP 68

FIG. NO.	PART NUMBER	DESCRIPTION	SINGLE CAB						CREW CAB						R/L	REMARKS	
			4 x 2			4 x 4			4 x 2			4 x 4					
			AC HD 1	AC HD 2	AC HD 3	HD 4	HD 5	AC HD 6	AC HD 7	AC HD 8	HD 9	AC HD 10	AC HD 11	AC HD 12			AC HD 13
18	2659 6890 63 55	Nacelle Bottom Dark Gray	1	1	1	1	1	1	1	1	1	1	1	1	1		
19	2654 6891 01 29	Assy Mounting Bracket Centre (Dash Board)	1	1	1	1	1	1	1	1	1	1	1	1	1		
--	2654 6890 63 21	Foam Packing (Reinf. Plastic Dash Board)	1	1	1	1	1	1	1	1	1	1	1	1	1		
23	2654 9900 65 01	Square Nut	1	1	1	1	1	1	1	1	1	1	1	1	1		
24	2654 6890 65 01	Rd CSK Scr M6 X 22	2	2	2	2	2	2	2	2	2	2	2	2	2		
25	2659 8111 63 59	Cover LH (Light Gray)	1														

TABLE 68.2

CONSOLE

GROUP 68

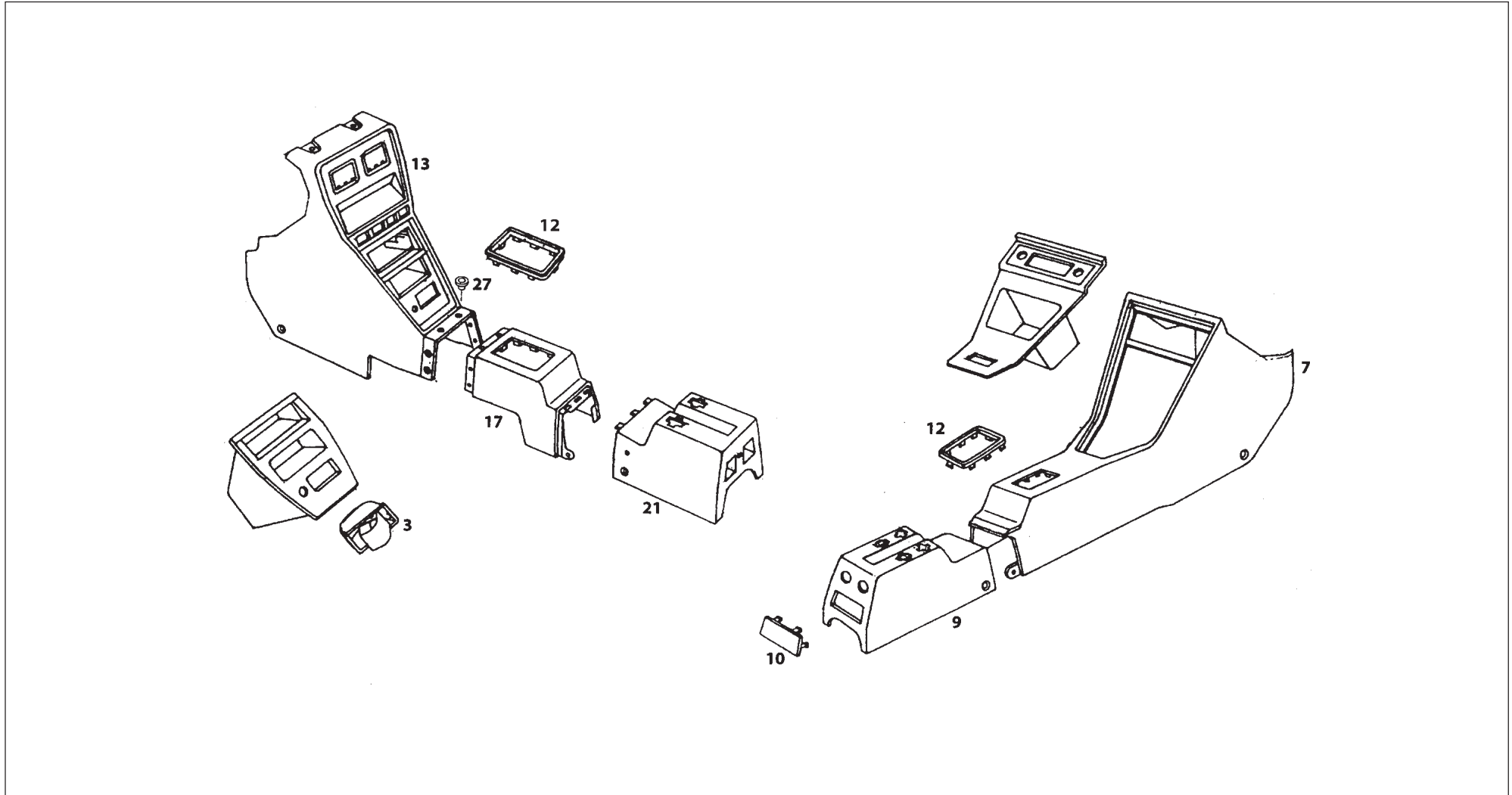


TABLE 68.2

CONSOLE

GROUP 68

FIG. NO.	PART NUMBER	DESCRIPTION	SINGLE CAB				CREW CAB				R/L	REMARKS							
			4 x 2		4 x 4		4 x 2		4 x 4										
			AC HD 1	AC HD 2	AC HD 3	HD 4	HD 5	AC HD 6	AC HD 7	AC HD 8			HD 9	AC HD 10	AC HD 11	AC HD 12	AC HD 13	HD 14	
		CONSOLE																	
3	2654 6890 01 03	Assy Ash Tray (Black)	1	1	1	1			1	1	1	1	1	1	1	1			
7	2658 6890 63 62	Body Front-Dark Gray (Soft Feel)	1	1	1	1					1	1	1	1					
9	2658 6890 63 63	Body Rear-Dark Gray (Soft Feel)	1	1	1	1					1	1	1	1					
10	2658 6890 63 64	Rear Cover -Dark Gray (Soft Feel)	1	1	1	1					1	1	1	1					
12	2832 6890 63 01	Base Plate (Gear Shift Lever)	1	1	1	1	1	1	1	1	1	1	1	1	1	1	1		
13	2660 6890 63 20	Console Front LHD Dark Gray Soft Feel						1	1						1	1	1	L	
13	2660 6890 63 19	Console Front RHD Dark Gray Soft Feel					1	1	1						1	1	1	R	
17	2660 6890 63 21	Console Middle Dark Gray Soft Feel					1	1	1						1	1	1		
21	2653 6890 63 07	Console Body Rear Dark Gray Soft Feel					1	1	1						1	1	1		
25	2654 6890 63 73	Snap Cover Auto Winding Switch	2	2	2	2					2	2	2	2					
25	2658 6890 63 46	Snap Cover Auto Winding Switch					2	2	2						2	2	2		
--	2658 6890 01 14	Assy Cover Black (H/B)	1	1	1	1	1	1	1	1	1	1	1	1	1	1	1		

TABLE 70.1

ASSY. LOAD BODY (SINGLE CAB)

GROUP 70

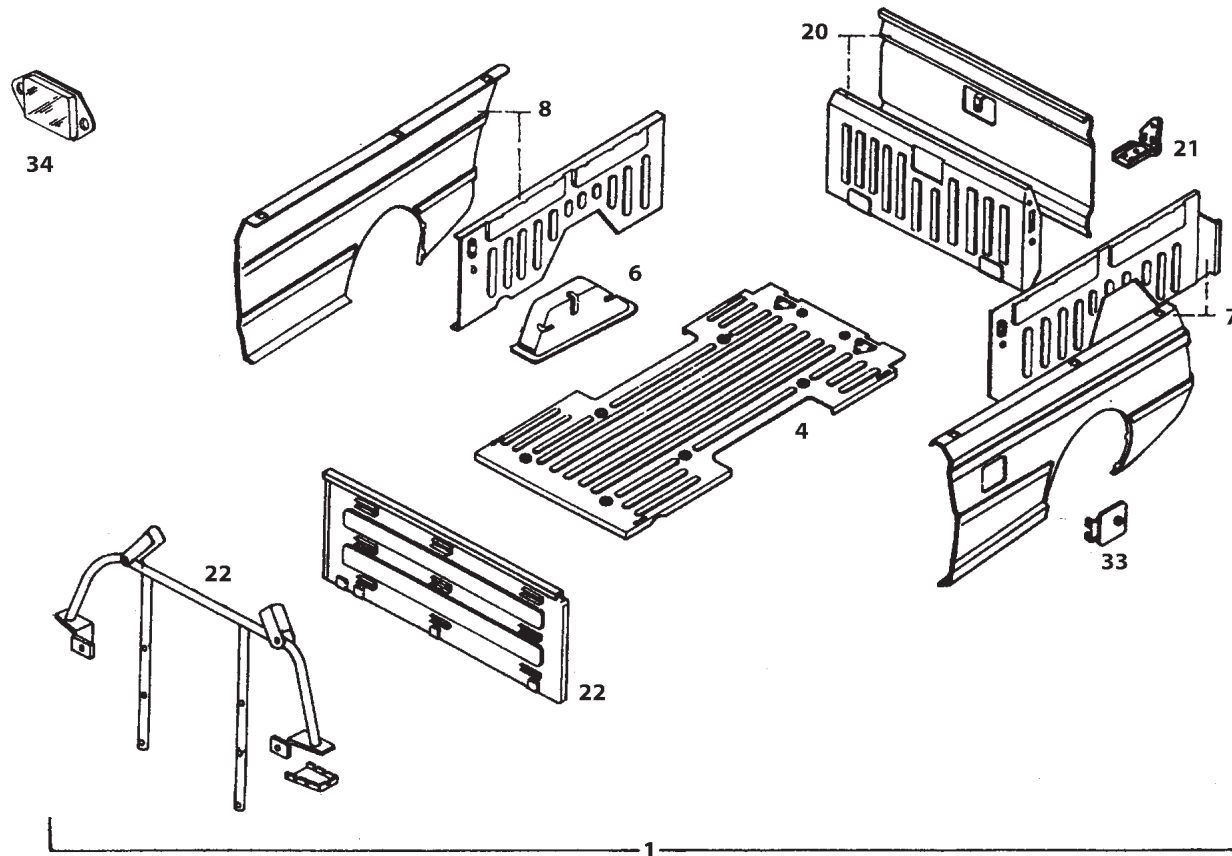


TABLE 70.1

ASSY. LOAD BODY (SINGLE CAB)

GROUP 70

FIG. NO.	PART NUMBER	DESCRIPTION	SINGLE CAB						CREW CAB						R/L	REMARKS	
			4 x 2			4 x 4			4 x 2			4 x 4					
			AC HD 1	AC HD 2	AC HD 3	HD 4	HD 5	AC HD 6	AC HD 7	AC HD 8	HD 9	AC HD 10	AC HD 11	AC HD 12			AC HD 13
		ASSY. LOAD BODY (SINGLE CAB)															
--	2653 7000 01 25BF	Assy. Load Body Complete With Fitments RHD, Artic White		1		1	1			1							R
--	2653 7000 01 25BG	Assy. Load Body Complete With Fitments RHD, Mica Burning Red		1		1	1			1							R
--	2653 7000 01 25BM	Assy. Load Body Complete With Fitments RHD Fiji Blue		1		1	1			1							R
--	2653 7000 01 25BN	Assy. Load Body Complete With Fitments RHD, Ruby Red		1		1	1			1							R
--	2653 7000 01 25D3	Assy. Load Body Complete With Fitments RHD, Artic silver		1		1	1			1							R
--	2653 7000 01 25D5	Assy. Load Body Complete With Fitments RHD, Timber green		1		1	1			1							R
--	2653 7000 01 25D7	Assy. Load Body Complete With Fitments RHD, Silver Mist		1		1	1			1							R
--	2653 7000 01 25DP	Assy. Load Body Complete With Fitments RHD, Passion red		1		1	1			1							R
1	2653 7000 01 26BF	Assy. Load Body Complete Painted RHD, Artic White		1		1	1			1							R
1	2653 7000 01 26BG	Assy. Load Body Complete Painted RHD, Mica burning Red		1		1	1			1							R
1	2653 7000 01 26BM	Assy. Load Body Complete Painted RHD, Fiji Blue		1		1	1			1							R
1	2653 7000 01 26BN	Assy. Load Body Complete Painted RHD, Ruby Red		1		1	1			1							R
1	2653 7000 01 26D3	Assy. Load Body Complete Painted RHD, Artic silver		1		1	1			1							R
1	2653 7000 01 26D5	Assy. Load Body Complete Painted RHD, Timber green		1		1	1			1							R
1	2653 7000 01 26D7	Assy. Load Body Complete Painted RHD, Silver Mist		1		1	1			1							R
1	2653 7000 01 26DP	Assy. Load Body Complete Painted RHD, Passion red		1		1	1			1							R
--	2653 7000 01 21BF	Assy. Load Body Complete With Fitments LHD, Artic White	1		1	1	1	1	1								L
--	2653 7000 01 21BG	Assy. Load Body Complete With Fitments LHD, Mica Burning Red	1		1	1	1	1	1								L

TABLE 70.1

ASSY. LOAD BODY (SINGLE CAB)

GROUP 70

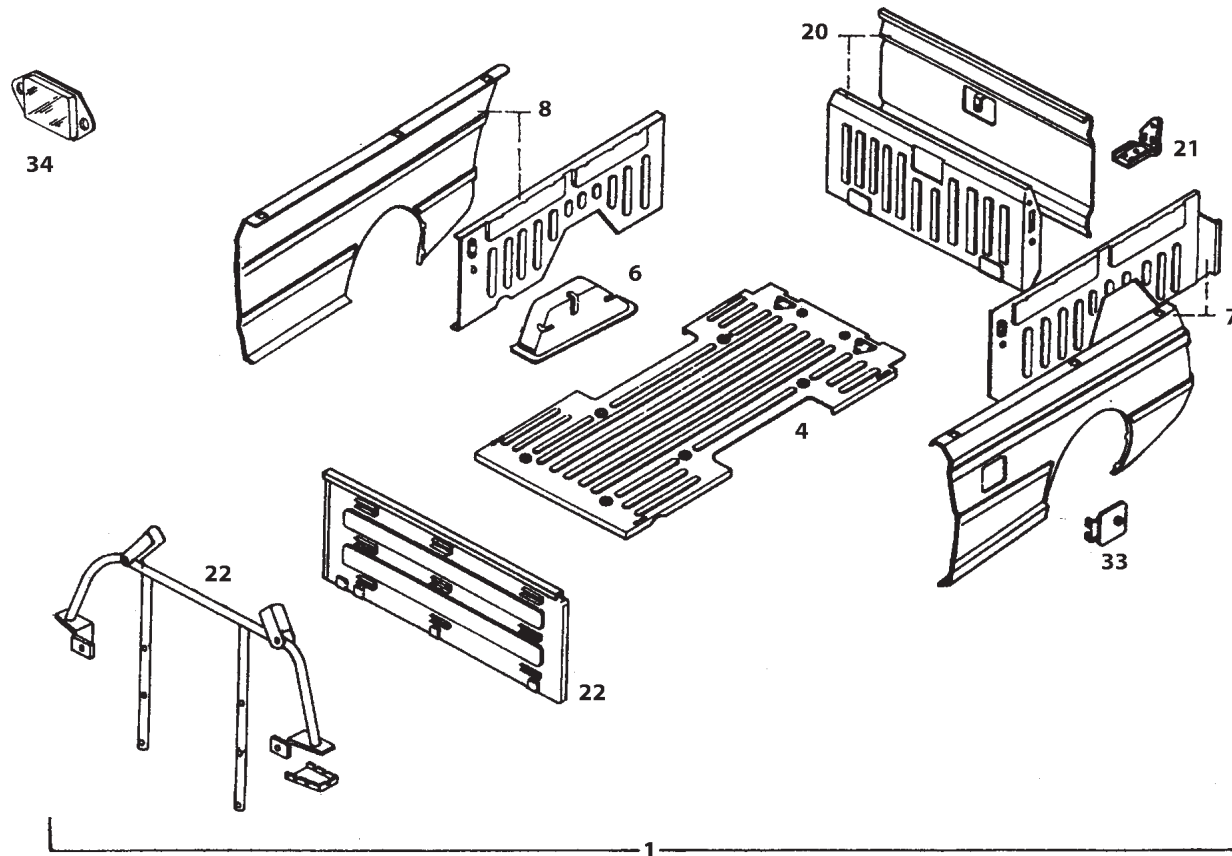


TABLE 70.1

ASSY. LOAD BODY (SINGLE CAB)

GROUP 70

FIG. NO.	PART NUMBER	DESCRIPTION	SINGLE CAB						CREW CAB						R/L	REMARKS		
			4 x 2				4 x 4		4 x 2			4 x 4						
			AC HD 1	AC HD 2	AC HD 3	HD 4	HD 5	AC HD 6	AC HD 7	AC HD 8	HD 9	AC HD 10	AC HD 11	AC HD 12			AC HD 13	HD 14
--	2653 7000 01 21BM	Assy. Load Body Complete With Fitments LHD, Fiji Blue	1		1	1	1	1	1								L	
--	2653 7000 01 21BN	Assy. Load Body Complete With Fitments LHD, Ruby Red	1		1	1	1	1	1								L	
--	2653 7000 01 21BP	Assy. Load Body Complete With Fitments LHD, Metallic Silver	1		1	1	1	1	1								L	
--	2653 7000 01 21D3	Assy. Load Body Complete With Fitments LHD, Artic silver	1		1	1	1	1	1								L	
--	2653 7000 01 21D5	Assy. Load Body Complete With Fitments LHD, Timber green	1		1	1	1	1	1								L	
--	2653 7000 01 21D7	Assy. Load Body Complete With Fitments LHD, Silver Mist	1		1	1	1	1	1								L	
--	2653 7000 01 21DP	Assy. Load Body Complete With Fitments LHD, Passion red	1		1	1	1	1	1								L	
1	2653 7000 01 22BF	Assy. Load Body Complete Painted LHD, Artic White	1		1	1	1	1	1								L	
1	2653 7000 01 22BG	Assy. Load Body Complete Painted LHD, Mica burning Red	1		1	1	1	1	1								L	
1	2653 7000 01 22BM	Assy. Load Body Complete Painted LHD, Fiji Blue	1		1	1	1	1	1								L	
1	2653 7000 01 22BN	Assy. Load Body Complete Painted LHD, Ruby Red	1		1	1	1	1	1								L	
1	2653 7000 01 22BP	Assy. Load Body Complete Painted LHD, Metallic Silver	1		1	1	1	1	1								L	
1	2653 7000 01 22D3	Assy. Load Body Complete Painted LHD, Artic silver	1		1	1	1	1	1								L	
1	2653 7000 01 22D5	Assy. Load Body Complete Painted LHD, Timber green	1		1	1	1	1	1								L	
1	2653 7000 01 22D7	Assy. Load Body Complete Painted LHD, Silver Mist	1		1	1	1	1	1								L	
1	2653 7000 01 22DP	Assy. Load Body Complete Painted LHD, Passion red	1		1	1	1	1	1								L	
4	2654 7010 82 08	Floor Panel	1	1	1	1	1	1	1									
6	2654 7010 82 09	Wheel Arch Panel	2	2	2	2	2	2	2									
7	2653 7030 01 01	Assy. Side Wall LH	1	1	1	1	1	1	1									
8	2653 7030 01 02	Assy. Side Wall RH	1	1	1	1	1	1	1									
20	2654 7040 01 30	Assy. Tail Gate Shell	1	1	1	1	1	1	1									

TABLE 70.1

ASSY. LOAD BODY (SINGLE CAB)

GROUP 70

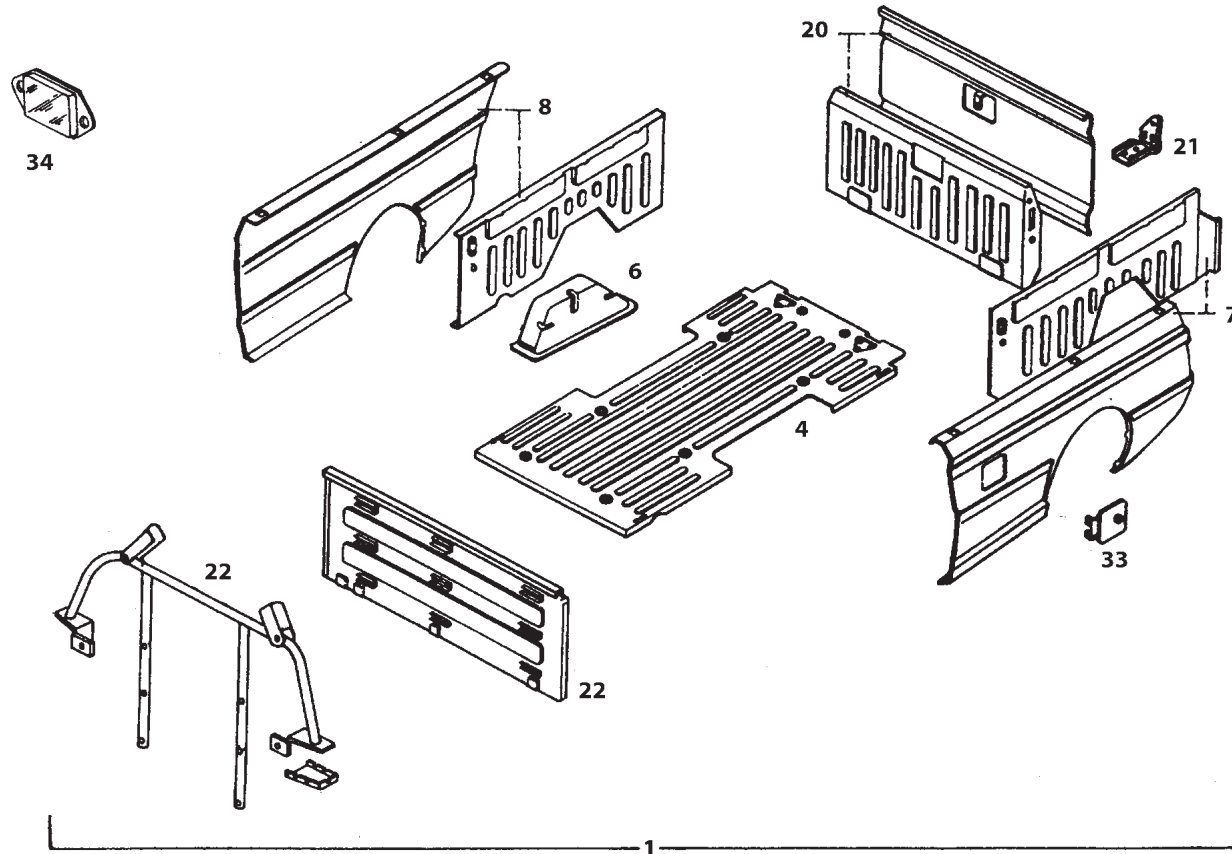


TABLE 70.1

ASSY. LOAD BODY (SINGLE CAB)

GROUP 70

FIG. NO.	PART NUMBER	DESCRIPTION	SINGLE CAB						CREW CAB						R/L	REMARKS		
			4 x 2				4 x 4		4 x 2			4 x 4						
			AC HD 1	AC HD 2	AC HD 3	HD 4	HD 5	AC HD 6	AC HD 7	AC HD 8	HD 9	AC HD 10	AC HD 11	AC HD 12			AC HD 13	HD 14
21	2654 7040 01 23	Assy. Hinge	2	2	2	2	2	2	2									
22	2832 7030 01 01	Assy. Load Guard	1	1	1	1	1	1	1									
33	2659 6010 01 77	Assy Lid	1	1	1	1	1	1	1									
---	2653 7000 63 01	Liner Inner LH (Rear Wheel Arch)	1	1	1	1	1	1	1									
---	2653 7000 63 02	Liner Inner RH (Rear Wheel Arch)	1	1	1	1	1	1	1									
---	2653 7000 63 03	Mudflap rear with 'T'	2	2	2	2	2	2	2									Optional
---	2653 7000 63 18	Mudflap rear with 'T'	2	2	2	2	2	2	2									Optional
---	2654 7000 63 05	Mudguard Liner LH	1	1	1	1	1	1	1									
---	2654 7000 63 15	Mudguard Liner RH	1	1	1	1	1	1	1									
34	2659 5440 99 01	Reflex Reflector	2	2	2	2	2	2	2									

TABLE 70.2

ASSY. LOAD BODY (CREW CAB)

GROUP 70

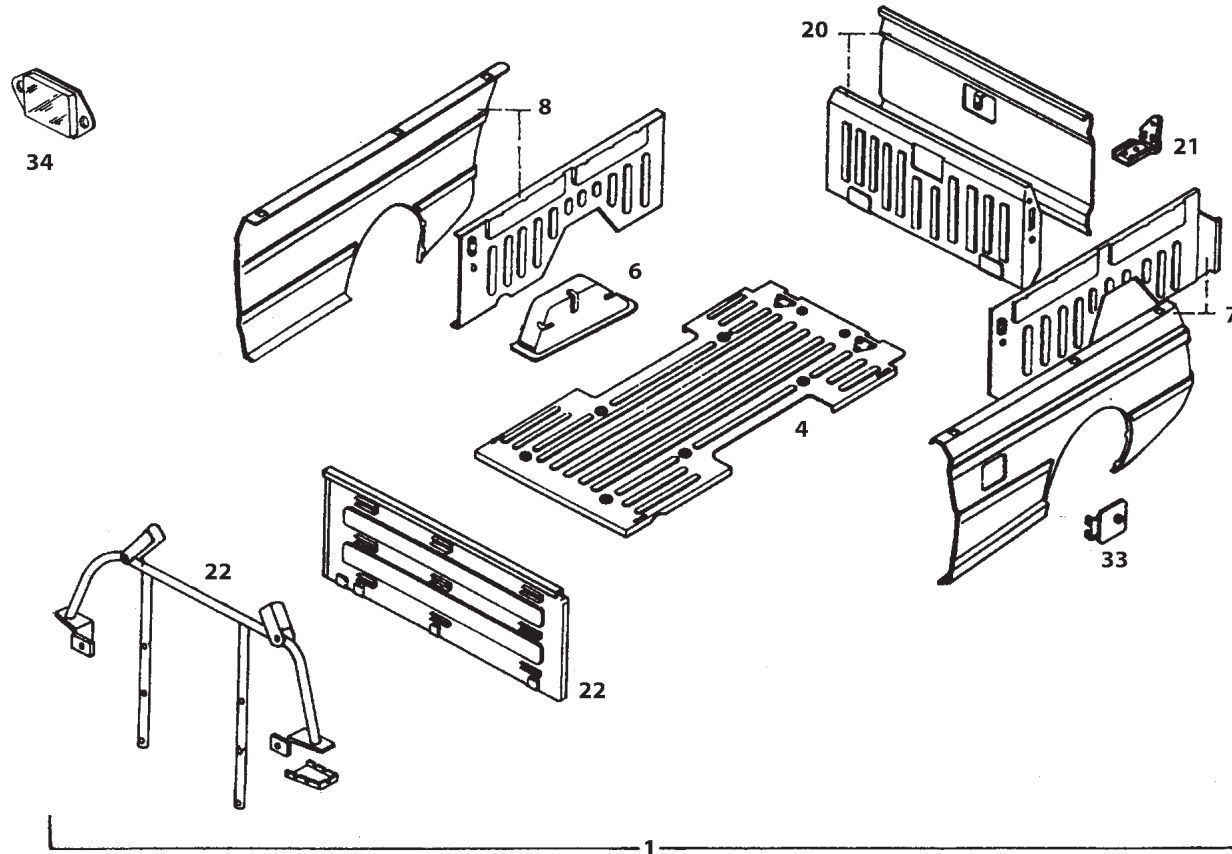


TABLE 70.2
ASSY. LOAD BODY (CREW CAB)
GROUP 70

FIG. NO.	PART NUMBER	DESCRIPTION	SINGLE CAB				CREW CAB				R/L	REMARKS						
			4 x 2		4 x 4		4 x 2		4 x 4									
			AC HD 1	AC HD 2	AC HD 3	HD 4	HD 5	AC HD 6	AC HD 7	AC HD 8			HD 9	AC HD 10	AC HD 11	AC HD 12	AC HD 13	HD 14
		ASSY. LOAD BODY (CREW CAB)																
--	2721 7000 01 19BF	Assy Load Body Complete With Fitments LHD, Artic White								1	1	1		1	1	1		L
--	2721 7000 01 19BG	Assy Load Body Complete With Fitments LHD, Mica Burning Red								1	1	1		1	1	1		L
--	2721 7000 01 19BM	Assy Load Body Complete With Fitments LHD, Fiji Blue								1	1	1		1	1	1		L
--	2721 7000 01 19BN	Assy Load Body Complete With Fitments LHD, Ruby Red								1	1	1		1	1	1		L
--	2721 7000 01 19D3	Assy Load Body Complete With Fitments LHD, Artic Silver								1	1	1		1	1	1		L
--	2721 7000 01 19D5	Assy Load Body Complete With Fitments LHD, Timber Green								1	1	1		1	1	1		L
--	2721 7000 01 19DP	Assy Load Body Complete With Fitments LHD, Passion Red								1	1	1		1	1	1		L
--	2721 7000 01 19BP	Assy Load Body Complete With Fitments LHD, Metallic Silver								1	1	1		1	1	1		L
--	2721 7000 01 19D7	Assy Load Body Complete With Fitments LHD, Silver Mist								1	1	1		1	1	1		L
--	2721 7000 01 19DU	Assy Load Body Complete With Fitments LHD, Quartz black								1	1	1		1	1	1		L
--	2721 7000 01 20BF	Assy Load Body Complete With Fitments RHD, Artic White								1	1		1	1		1		R
--	2721 7000 01 20BG	Assy Load Body Complete With Fitments RHD, Mica Burning Red								1	1		1	1		1		R
--	2721 7000 01 20BM	Assy Load Body Complete With Fitments RHD, Fiji Blue								1	1		1	1		1		R
--	2721 7000 01 20BN	Assy Load Body Complete With Fitments RHD, Ruby Red								1	1		1	1		1		R
--	2721 7000 01 20D3	Assy Load Body Complete With Fitments RHD, Artic Silver								1	1		1	1		1		R
--	2721 7000 01 20D5	Assy Load Body Complete With Fitments RHD, Timber Green								1	1		1	1		1		R
--	2721 7000 01 20DP	Assy Load Body Complete With Fitments RHD, Passion Red								1	1		1	1		1		R

TABLE 70.2

ASSY. LOAD BODY (CREW CAB)

GROUP 70

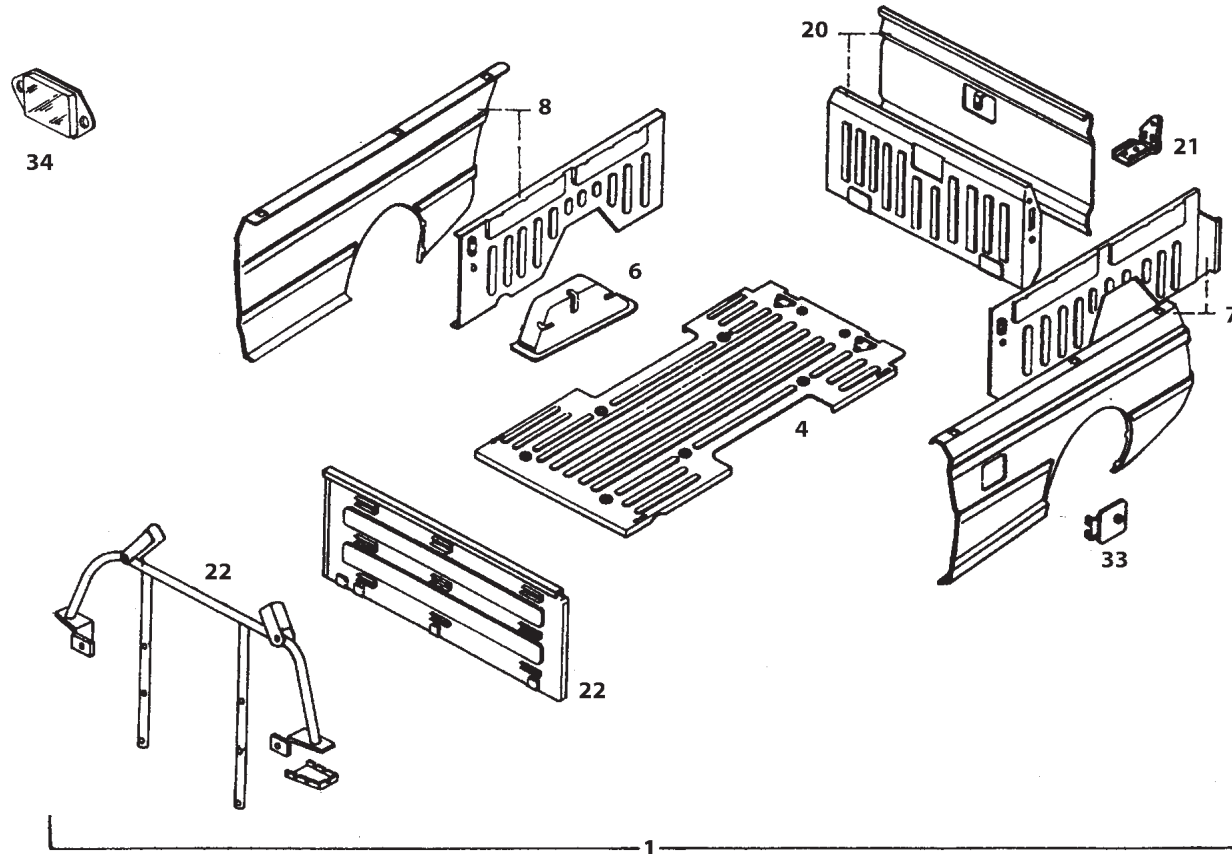


TABLE 70.2
ASSY. LOAD BODY (CREW CAB)
GROUP 70

FIG. NO.	PART NUMBER	DESCRIPTION	SINGLE CAB						CREW CAB						R/L	REMARKS	
			4 x 2				4 x 4		4 x 2			4 x 4					
			AC HD 1	AC HD 2	AC HD 3	HD 4	HD 5	AC HD 6	AC HD 7	AC HD 8	HD 9	AC HD 10	AC HD 11	AC HD 12			AC HD 13
--	2721 7000 01 21BF	Assy Load Body Complete With Fitments RHD, Artic White													1	R	
--	2721 7000 01 21BG	Assy Load Body Complete With Fitments RHD, Mica Burning Red													1	R	
--	2721 7000 01 21BM	Assy Load Body Complete With Fitments RHD, Fiji Blue													1	R	
--	2721 7000 01 21BN	Assy Load Body Complete With Fitments RHD, Ruby Red													1	R	
--	2721 7000 01 21C3	Assy Load Body Complete With Fitments RHD, Mica Black													1	R	
--	2721 7000 01 21D3	Assy Load Body Complete With Fitments RHD, Artic Silver													1	R	
--	2721 7000 01 21D5	Assy Load Body Complete With Fitments RHD, Timber Green													1	R	
--	2721 7000 01 21D7	Assy Load Body Complete With Fitments RHD, Silver Mist													1	R	
--	2721 7000 01 21DU	Assy Load Body Complete With Fitments RHD, Quartz black													1	R	
1	2721 7000 01 18BF	Assy Load Body Painted Without Fitments RHD, Artic White									1			1	1	R	
1	2721 7000 01 18BG	Assy Load Body Painted Without Fitments RHD, Mica Burning Red									1			1	1	R	
1	2721 7000 01 18BM	Assy Load Body Painted Without Fitments RHD, Fiji Blue									1			1	1	R	
1	2721 7000 01 18BN	Assy Load Body Painted Without Fitments RHD, Ruby Red									1			1	1	R	
1	2721 7000 01 18C3	Assy Load Body Painted Without Fitments RHD, Mica Black									1			1	1	R	
1	2721 7000 01 18D3	Assy Load Body Painted Without Fitments RHD, Artic Silver									1			1	1	R	
1	2721 7000 01 18D5	Assy Load Body Painted Without Fitments RHD, Timber Green									1			1	1	R	
1	2721 7000 01 18D7	Assy Load Body Painted Without Fitments RHD, Silver Mist									1			1	1	R	
1	2721 7000 01 18DU	Assy Load Body Painted Without Fitments RHD, Quartz black									1			1	1	R	

TABLE 70.2

ASSY. LOAD BODY (CREW CAB)

GROUP 70

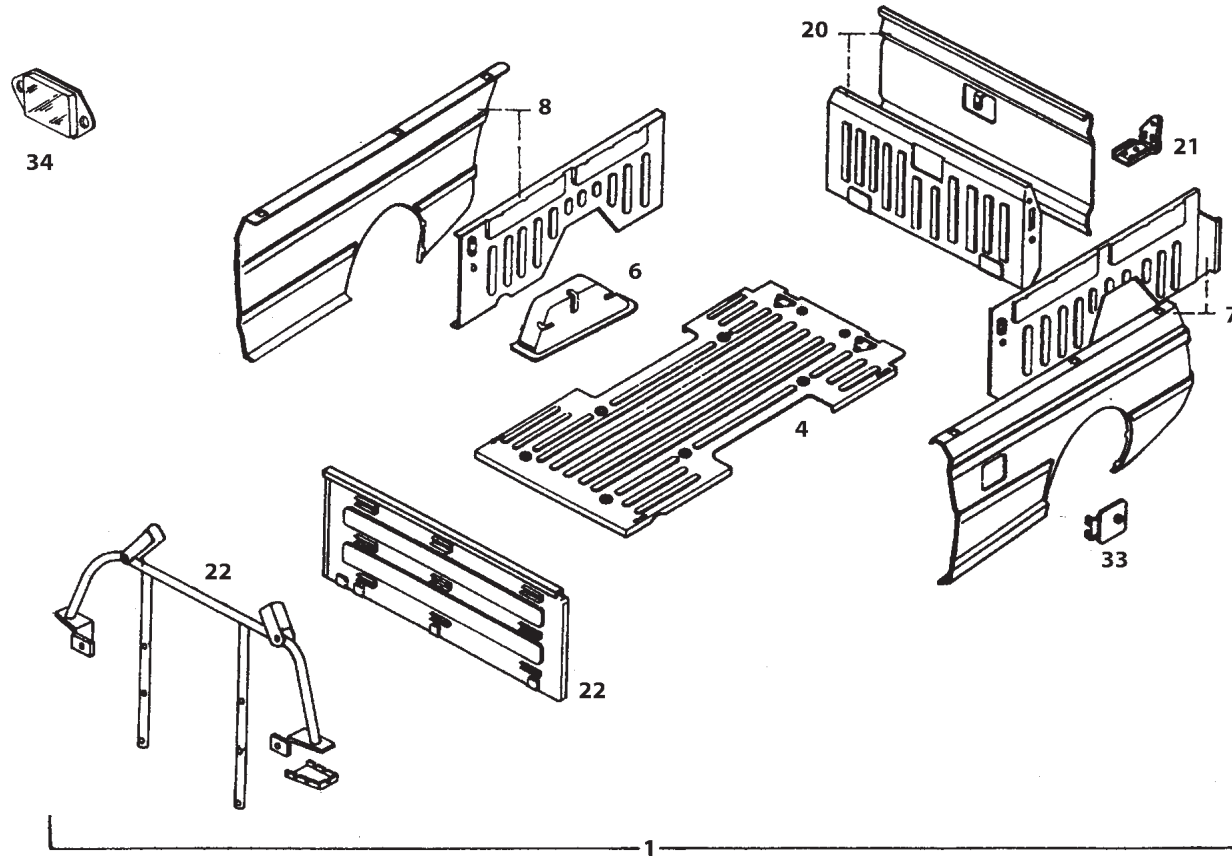


TABLE 70.2

ASSY. LOAD BODY (CREW CAB)

GROUP 70

FIG. NO.	PART NUMBER	DESCRIPTION	SINGLE CAB				CREW CAB				R/L	REMARKS				
			4 x 2		4 x 4		4 x 2		4 x 4							
			AC HD 1	AC HD 2	AC HD 3	HD 4	HD 5	AC HD 6	AC HD 7	AC HD 8			HD 9	AC HD 10	AC HD 11	AC HD 12
1	2721 7000 01 18DP	Assy Load Body Painted Without Fitments RHD, Passion Red						1	1		1	1	1	1	R	
1	2721 7000 01 15BF	Assy Load Body Painted Without Fitments LHD, Artic White						1	1	1		1	1	1	L	
1	2721 7000 01 15BG	Assy Load Body Painted Without Fitments LHD, Mica Burning Red						1	1	1		1	1	1	L	
1	2721 7000 01 15BM	Assy Load Body Painted Without Fitments LHD, Fiji Blue						1	1	1		1	1	1	L	
1	2721 7000 01 15BN	Assy Load Body Painted Without Fitments LHD, Ruby Red						1	1	1		1	1	1	L	
1	2721 7000 01 15D3	Assy Load Body Painted Without Fitments LHD, Artic Silver						1	1	1		1	1	1	L	
1	2721 7000 01 15D5	Assy Load Body Painted Without Fitments LHD, Timber Green						1	1	1		1	1	1	L	
1	2721 7000 01 15DP	Assy Load Body Painted Without Fitments LHD, Passion Red						1	1	1		1	1	1	L	
1	2721 7000 01 15BP	Assy Load Body Painted Without Fitments LHD, Metallic Silver						1	1	1		1	1	1	L	
1	2721 7000 01 15D7	Assy Load Body Painted Without Fitments LHD, Silver Mist						1	1	1		1	1	1	L	
1	2721 7000 01 15DU	Assy Load Body Painted Without Fitments LHD, Quartz black						1	1	1		1	1	1	L	
4	2701 7010 82 17	Floor Panel						1	1	1	1	1	1	1		
6	2654 7010 82 09	Wheel Arch Panel						2	2	2	2	2	2	2		
7	2721 7030 01 03	Assy Side Wall LH						1	1	1	1	1	1	1		
8	2721 7030 01 04	Assy Side Wall RH						1	1	1	1	1	1	1		
20	2654 7040 01 30	Assy Shell (Tail Gate)						1	1	1	1	1	1	1		
21	2654 7040 01 23	Assy Hinge						2	2	2	2	2	2	2		
22	2832 7030 01 01	Assy Load Guard Complete (Tubular)						1	1	1	1	1	1	1		
33	2659 6010 01 77	Assy Lid						1	1	1	1	1	1	1		

TABLE 70.2

ASSY. LOAD BODY (CREW CAB)

GROUP 70

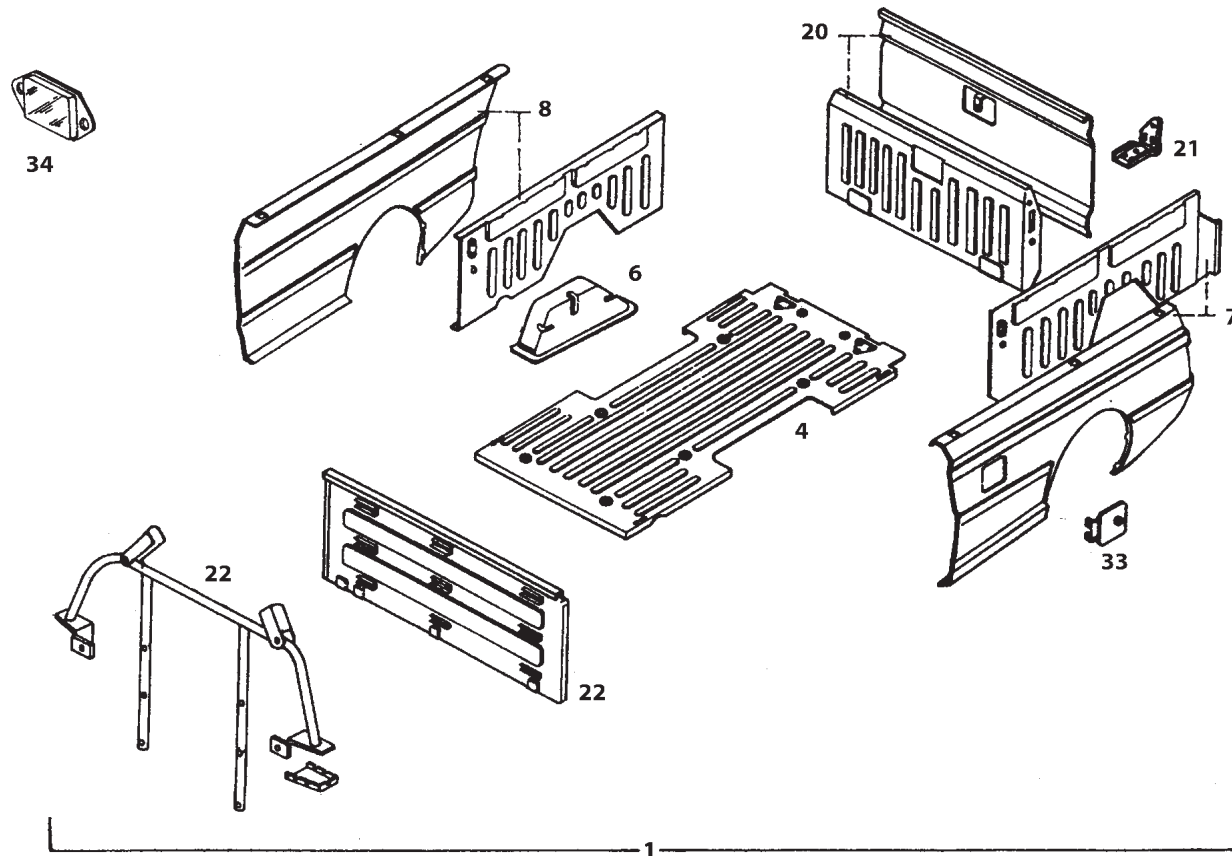


TABLE 70.2

ASSY. LOAD BODY (CREW CAB)

GROUP 70

FIG. NO.	PART NUMBER	DESCRIPTION	SINGLE CAB				CREW CAB						R/L	REMARKS			
			4 x 2		4 x 4		4 x 2			4 x 4							
			AC HD 1	AC HD 2	AC HD 3	HD 4	HD 5	AC HD 6	AC HD 7	AC HD 8	HD 9	AC HD 10			AC HD 11	AC HD 12	AC HD 13
--	2654 7030 34 01	Bush							4	4	4	4	4	4	4		
--	2654 7080 01 09	Assy Bolt With Nylon Insert							6	6	6	6	6	6	6		
--	2654 7080 92 03	Washer							6	6	6	6	6	6	6		
--	2653 7000 63 01	Liner Inner LH (Rear Wheel Arch)							1	1	1	1	1	1	1		
--	2653 7000 63 02	Liner Inner RH (Rear Wheel Arch)							1	1	1	1	1	1	1		
--	2653 7000 63 03	Mudflap rear with 'T'							2	2	2	2	2	2	2		Optional
--	2653 7000 63 18	Mudflap rear with 'T'							2	2	2	2	2	2	2		Optional
--	2654 7000 63 05	Mudguard Liner LH							1	1	1	1	1	1	1		
--	2654 7000 63 15	Mudguard Liner RH							1	1	1	1	1	1	1		
34	2659 5440 99 01	Reflex Reflector							2	2	2	2	2	2	2		

TABLE 70.3

TAIL GATE LOCKING SYSTEM

GROUP 70

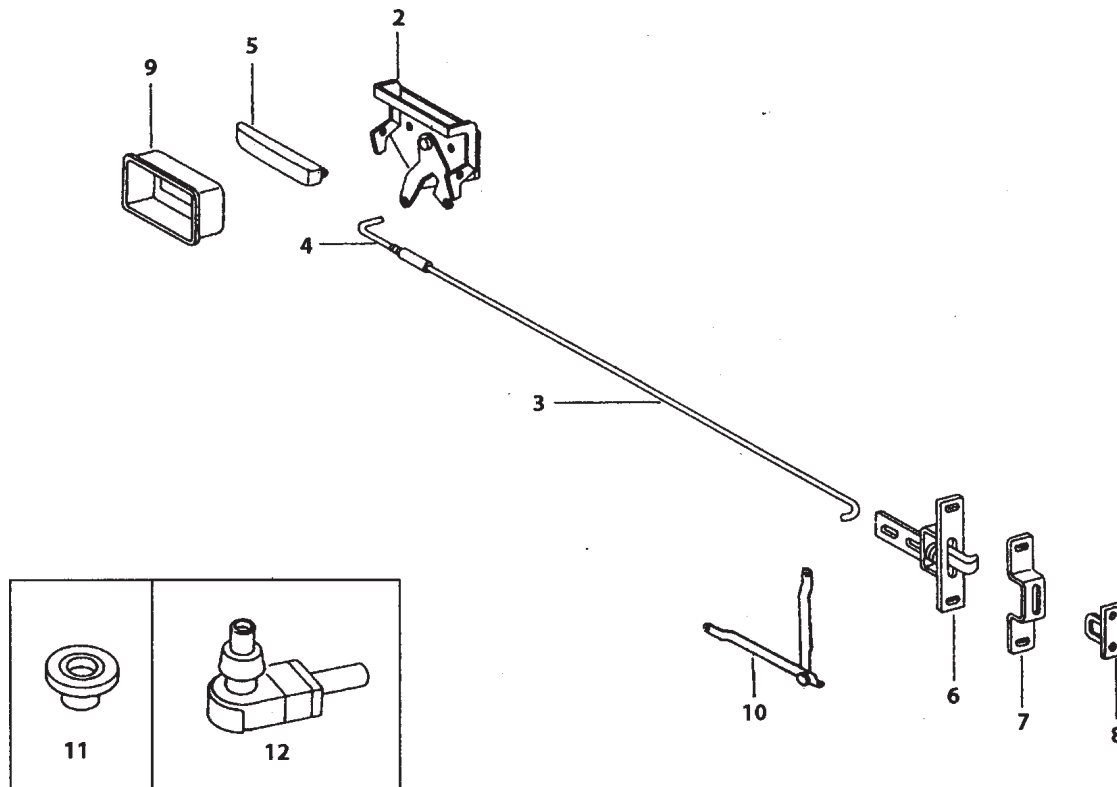


TABLE 70.3

TAIL GATE LOCKING SYSTEM

GROUP 70

FIG. NO.	PART NUMBER	DESCRIPTION	SINGLE CAB						CREW CAB						R/L	REMARKS		
			4 x 2			4 x 4			4 x 2			4 x 4						
			AC HD 1	AC HD 2	AC HD 3	HD 4	HD 5	AC HD 6	AC HD 7	AC HD 8	HD 9	AC HD 10	AC HD 11	AC HD 12			AC HD 13	HD 14
		TAIL GATE LOCKING SYSTEM																
2	2654 7040 01 48	Assy Centre Latch (without Handle) T/g	1	1	1	1	1	1	1	1	1	1	1	1	1			
3	2654 7040 01 24	Assy Pull Rod	2	2	2	2	2	2	2	2	2	2	2	2	2			
4	2654 7040 60 02	Pull Rod Hook	2	2	2	2	2	2	2	2	2	2	2	2	2			
5	2654 7040 56 02	Handle (Tail Gate Centre Latch)	1	1	1	1	1	1	1	1	1	1	1	1	1			
6	2654 7040 01 18	Assy Plunger Complete	2	2	2	2	2	2	2	2	2	2	2	2	2			
7	2654 7040 82 21	Striking Strap	2	2	2	2	2	2	2	2	2	2	2	2	2			
8	2654 7040 01 22	Assy Striker	2	2	2	2	2	2	2	2	2	2	2	2	2			
9	2654 7040 63 03	Cover (Tail Gate Centre Latch)	1	1	1	1	1	1	1	1	1	1	1	1	1			
10	2654 7040 01 33	Assy Rope RH	1	1	1	1	1	1	1	1	1	1	1	1	1			
10	2654 7040 01 25	Assy Rope LH	1	1	1	1	1	1	1	1	1	1	1	1	1			
11	2654 7040 86 03	Spacer Outer	2	2	2	2	2	2	2	2	2	2	2	2	2			
12	2654 7230 63 03	Nylon Clip (Lock Links)	2	2	2	2	2	2	2	2	2	2	2	2	2			

TABLE 72.1

DOOR

GROUP 72

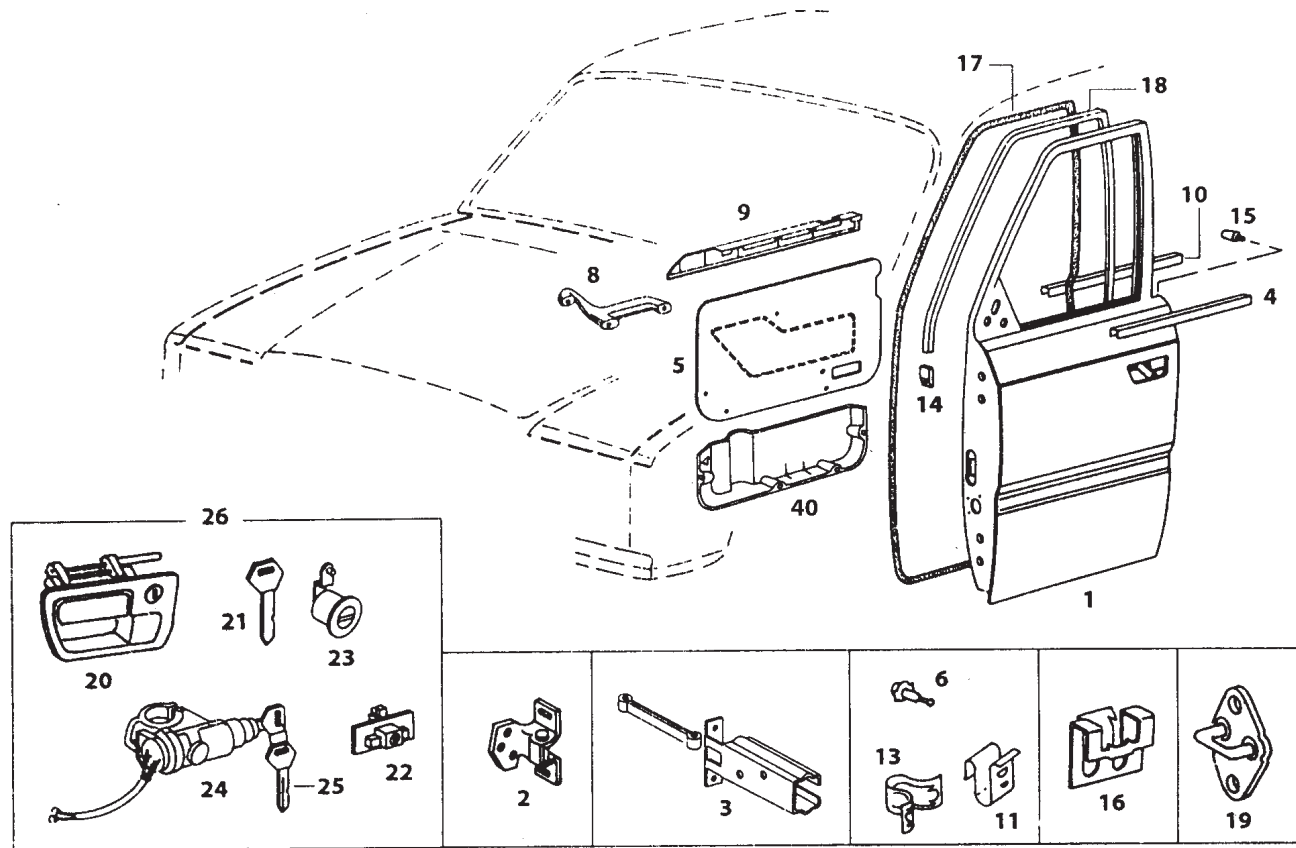


TABLE 72.1

DOOR

GROUP 72

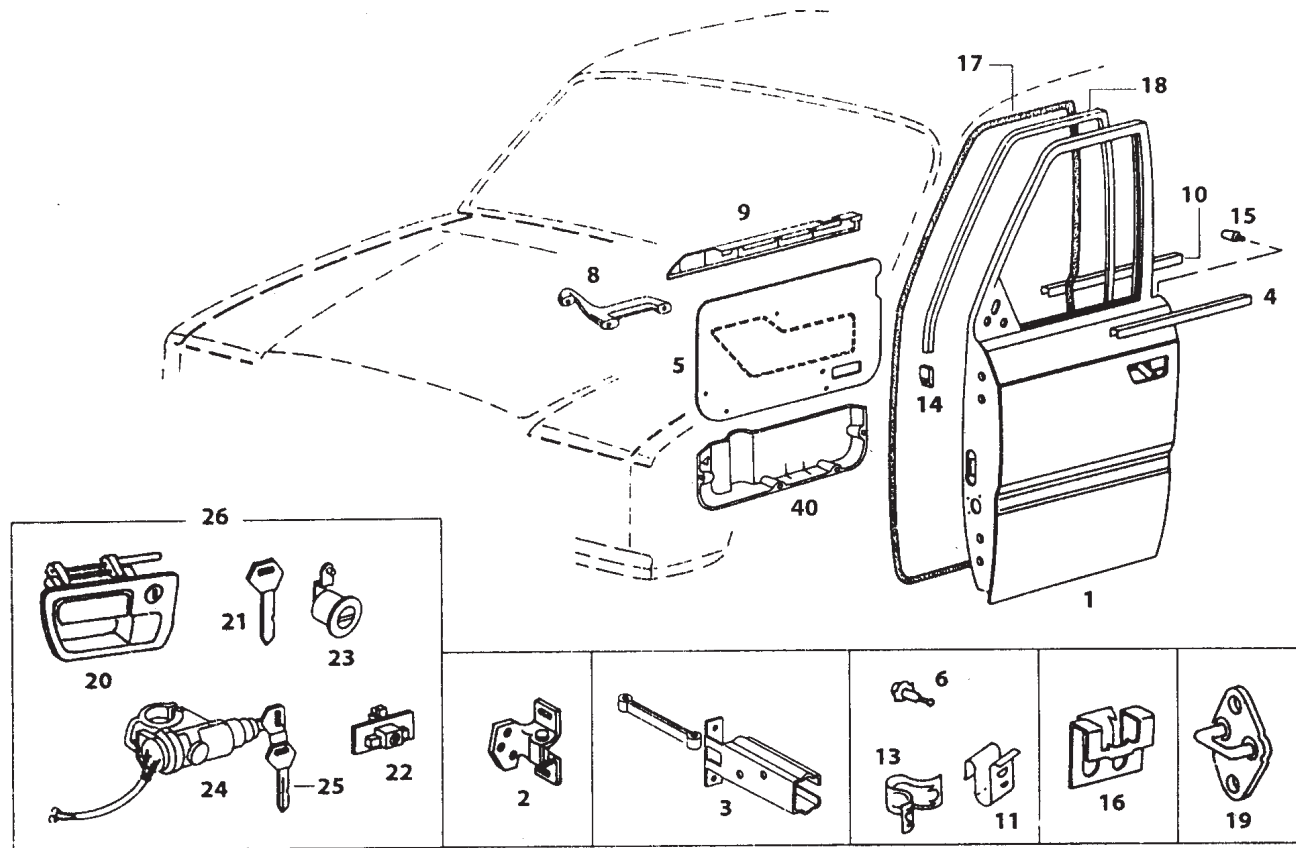


TABLE 72.1
DOOR
GROUP 72

FIG. NO.	PART NUMBER	DESCRIPTION	SINGLE CAB														R/L	REMARKS
			4 x 2					4 x 4				CREW CAB						
			AC HD 1	AC HD 2	AC HD 3	HD 4	HD 5	AC HD 6	AC HD 7	AC HD 8	HD 9	AC HD 10	AC HD 11	AC HD 12	AC HD 13	HD 14		
15	2654 8110 01 86	Assy. Door Stopper	2	2	2	2	2	2	2	2	2	2	2	2	2	2		
16	2654 7250 82 01	Clip (Weather Strip Outer)	10	10	10	10	10	10	10	10	10	10	10	10	10	10		
17	2654 8110 01 70	Door Sealing Inner Front LH (On Cab)	1	1	1	1	1	1	1	1	1	1	1	1	1	1		
(17)	2654 8110 01 71	Door Sealing Inner Front RH (On Cab)	1	1	1	1	1	1	1	1	1	1	1	1	1	1		
18	2658 7230 25 02	Door Sealing Outer Front LH (On Door)	1	1	1	1	1	1	1	1	1	1	1	1	1	1		
18	2658 7230 25 03	Door Sealing Outer Front RH (On Door)	1	1	1	1	1	1	1	1	1	1	1	1	1	1		
19	2658 7230 01 82	Assy. Door Striker	2	2	2	2	2	2	2	4	4	4	4	4	4	4		
40	2678 7270 63 01	Magzine Pocket LH	1	1	1	1	1	1	1	1	1	1	1	1	1	1		Optional
40	2832 7270 63 01	Magzine Pocket LH, Black	1	1	1	1	1	1	1	1	1	1	1	1	1	1		Optional
40	2678 7270 63 02	Magzine Pocket RH	1	1	1	1	1	1	1	1	1	1	1	1	1	1		Optional
40	2832 7270 63 02	Magzine Pocket RH, Black	1	1	1	1	1	1	1	1	1	1	1	1	1	1		Optional
26	2654 7231 01 18	Assy. Door Lock Set with Steering Lock Consisting of :	1	1	1	1	1	1	1	1	1	1	1	1	1	1		
20		Assy. Outer Door Handle LH	1	1	1	1	1	1	1	1	1	1	1	1	1	1		Also Serviced Loose
(20)		Assy. Outer Door Handle RH	1	1	1	1	1	1	1	1	1	1	1	1	1	1		Also Serviced Loose
21		Blank Key	1	1	1	1	1	1	1	1	1	1	1	1	1	1		Also Serviced Loose
22		Assy. Glove Box Lock	1	1	1	1	1	1	1	1	1	1	1	1	1	1		Also Serviced Loose
23		Fuel Lid Lock Assy.	1	1	1	1	1	1	1	1	1	1	1	1	1	1		Also Serviced Loose
24		Ignition Cum Steering Lock (Switch Auto)	1	1	1	1	1	1	1	1	1	1	1	1	1	1		Also Serviced Loose
25		Assy. Key	13	13	13	13	13	13	13	13	13	13	13	13	13	13		

TABLE 72.2

DOOR (LOCKING SYSTEM)

GROUP 72

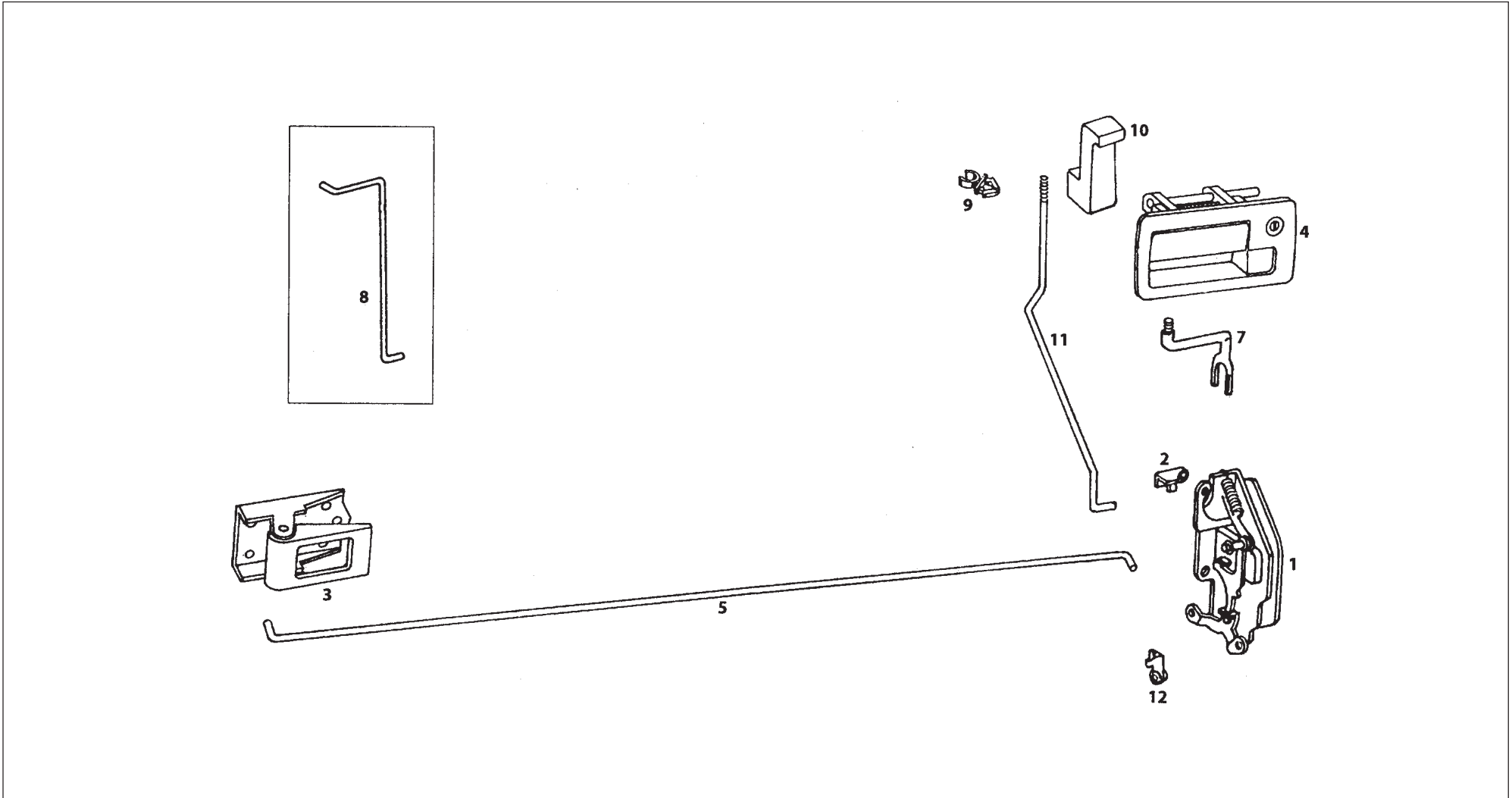


TABLE 72.2

DOOR (LOCKING SYSTEM)

GROUP 72

FIG. NO.	PART NUMBER	DESCRIPTION	SINGLE CAB							CREW CAB							R/L	REMARKS	
			4 x 2				4 x 4			4 x 2				4 x 4					
			AC HD 1	AC HD 2	AC HD 3	HD 4	HD 5	AC HD 6	AC HD 7	AC HD 8	HD 9	AC HD 10	AC HD 11	AC HD 12	AC HD 13	HD 14			
		DOOR (LOCKING SYSTEM)																	
1	2658 7230 01 08	Assy. Door Lock Complete LH	1	1	1	1	1	1	1	1	1	1	1	1	1	1			
(1)	2658 7230 01 07	Assy. Door Lock Complete RH	1	1	1	1	1	1	1	1	1	1	1	1	1	1			
2	2654 7230 63 13	Snap Connector	6	6	6	6	6	6	6	6	6	6	6	6	6	6			
(3)	2698 7230 01 49	Assy. Inner Handle	2	2	2	2	2	2	2	2	2	2	2	2	2	2			
4	2654 7230 01 24	Assy. Outer Door Handle LH	1	1	1	1	1	1	1	1	1	1	1	1	1	1			
(4)	2654 7230 01 25	Assy. Outer Door Handle RH	1	1	1	1	1	1	1	1	1	1	1	1	1	1			
5	2658 7230 60 01	Link (Inner Handle)	2	2	2	2	2	2	2	2	2	2	2	2	2	2			
7	2654 7230 60 05	Link (Door Lock Handle Outer)	2	2	2	2	2	2	2	2	2	2	2	2	2	2			Optional
8	2654 7230 60 06	Link RH	1	1	1	1	1	1	1	1	1	1	1	1	1	1			Optional
10	2658 7231 01 07	Assy. Pop Up Knob	2	2	2	2	2	2	2	2	2	2	2	2	2	2			
11	2832 7230 01 01	Link Pop Up Knob LH	1	1	1	1	1	1	1	1	1	1	1	1	1	1			
(11)	2832 7230 01 02	Link Pop Up Knob RH	1	1	1	1	1	1	1	1	1	1	1	1	1	1			
12	2654 7230 63 23	Snap Connector LH	1	1	1	1	1	1	1	1	1	1	1	1	1	1			

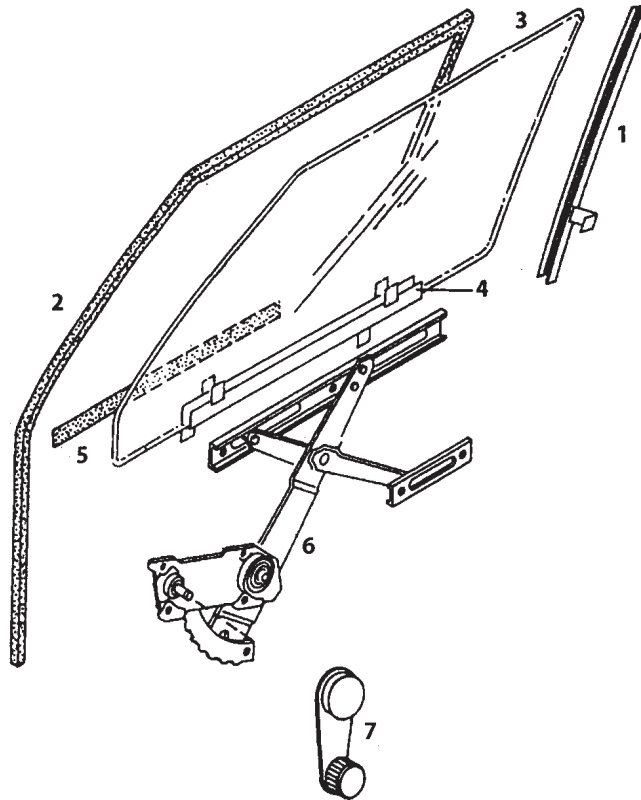


TABLE 72.3

DOOR GLASS AND WINDOW REGULATOR

GROUP 72

FIG. NO.	PART NUMBER	DESCRIPTION	SINGLE CAB						CREW CAB						R/L	REMARKS		
			4 x 2				4 x 4		4 x 2				4 x 4					
			AC HD 1	AC HD 2	AC HD 3	HD 4	HD 5	AC HD 6	AC HD 7	AC HD 8	HD 9	AC HD 10	AC HD 11	AC HD 12			AC HD 13	HD 14
		DOOR GLASS AND WINDOW REGULATOR																
1	2654 7220 01 14	Assy. Guide Channel LH (Door Glass)	1	1	1	1	1	1	1	1	1	1	1	1	1			
(1)	2654 7220 01 15	Assy. Guide Channel RH (Door Glass)	1	1	1	1	1	1	1	1	1	1	1	1	1			
2	2654 7250 25 01	Velvet Channel	2	2	2	2	2	2	2	2	2	2	2	2	2			
3	2654 7250 23 07	Regulating Glass Front Door LH	1	1	1	1	1	1	1	1	1	1	1	1	1			
(3)	2654 7250 23 08	Regulating Glass Front Door RH	1	1	1	1	1	1	1	1	1	1	1	1	1			
4	2654 7250 01 15	Assy. Door Glass Holder LH	1	1	1	1	1	1	1	1	1	1	1	1	1			
(4)	2654 7250 01 16	Assy. Door Glass Holder RH	1	1	1	1	1	1	1	1	1	1	1	1	1			
5	2654 7250 63 12	Beading (Door Glass Holder)	2	2	2	2	2	2	2	2	2	2	2	2	2			
6	2654 7250 01 28	Assy. Winding Regulator LH	1	1	1	1	1	1	1	1	1	1	1	1	1			
6	2654 7250 01 27	Assy. Winding Regulator RH	1	1	1	1	1	1	1	1	1	1	1	1	1			
7	2832 7230 01 05	Assy. Handle (for Window Winding) Black	2	2	2	2	2	2	2	2	2	2	2	2	2			

TABLE 73.1

REAR DOOR (CREW CAB)

GROUP 73

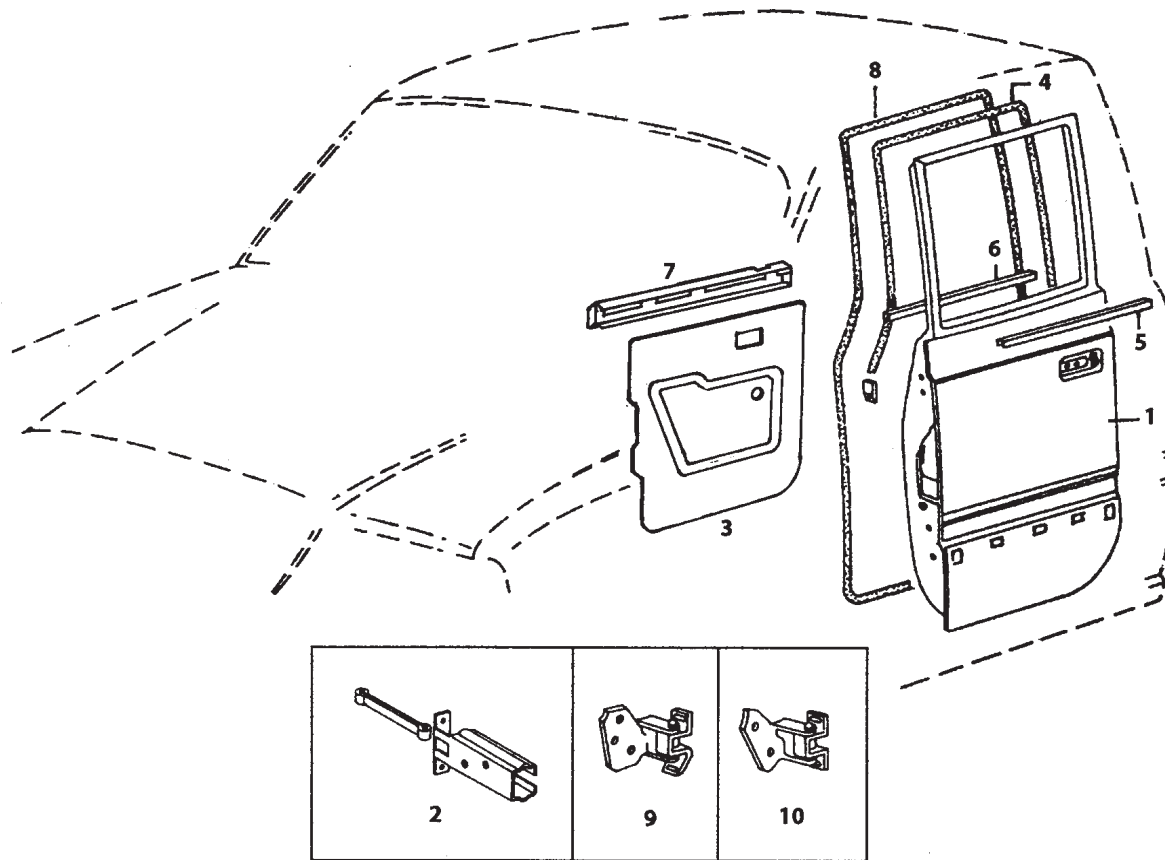


TABLE 73.1

REAR DOOR (CREW CAB)

GROUP 73

FIG. NO.	PART NUMBER	DESCRIPTION	SINGLE CAB				CREW CAB				R/L	REMARKS						
			4 x 2		4 x 4		4 x 2		4 x 4									
			AC HD 1	AC HD 2	AC HD 3	HD 4	HD 5	AC HD 6	AC HD 7	AC HD 8			HD 9	AC HD 10	AC HD 11	AC HD 12	AC HD 13	HD 14
		REAR DOOR (CREW CAB)																
1	2701 7320 01 01	Assy. Door Shell LH								1	1	1	1	1	1	1		
1	2701 7320 01 02	Assy. Door Shell RH								1	1	1	1	1	1	1		
2	2701 7330 01 10	Assy. Door Check Rear								1	1	1	1	1	1	1		
3	2833 7370 01 01	Assy. Padding Rear Door LH								1	1	1	1	1	1	1		
3	2833 7370 01 02	Assy. Padding Rear Door RH								1	1	1	1	1	1	1		
4	2701 7330 01 01	Assy. Outer Sealing LH (Rear Door)								1	1	1	1	1	1	1		
4	2701 7330 01 02	Assy. Outer Sealing RH (Rear Door)								1	1	1	1	1	1	1		
5	2701 7350 01 09	Assy. Weather Strip Outer LH (Rear Door)								1	1	1	1	1	1	1		
5	2701 7350 01 10	Assy. Weather Strip Outer RH (Rear Door)								1	1	1	1	1	1	1		
6	2701 7350 01 07	Assy. Weather Strip LH (Rear Door) Inner								1	1	1	1	1	1	1		
6	2701 7350 01 08	Assy. Weather Strip RH (Rear Door) Inner								1	1	1	1	1	1	1		
7	2701 7370 63 06	Cover Padding RH (Darker Gray)								1	1	1	1	1	1	1		
7	2701 7370 63 05	Cover Padding LH (Darker Gray)								1	1	1	1	1	1	1		
8	2701 8110 01 08	Assy. Inner Sealing (Rear Door)								2	2	2	2	2	2	2		L
8	2833 8110 01 18	Assy. Inner Sealing (Rear Door)								2	2	2	2	2	2	2		R
8	2833 8110 01 19	Assy. Inner Sealing (Rear Door) RH								2	2	2	2	2	2	2		R
9	2658 7330 01 91	Assy. Door Hinge Bottom LH								1	1	1	1	1	1	1		
9	2658 7330 01 92	Assy. Door Hinge Bottom RH								1	1	1	1	1	1	1		
10	2658 7330 01 87	Assy. Door Hinge Top LH								1	1	1	1	1	1	1		
10	2658 7330 01 88	Assy. Door Hinge Top RH								1	1	1	1	1	1	1		
-	2701 7330 01 07	Assy. Door Check Rear								2	2	2	2	2	2	2		

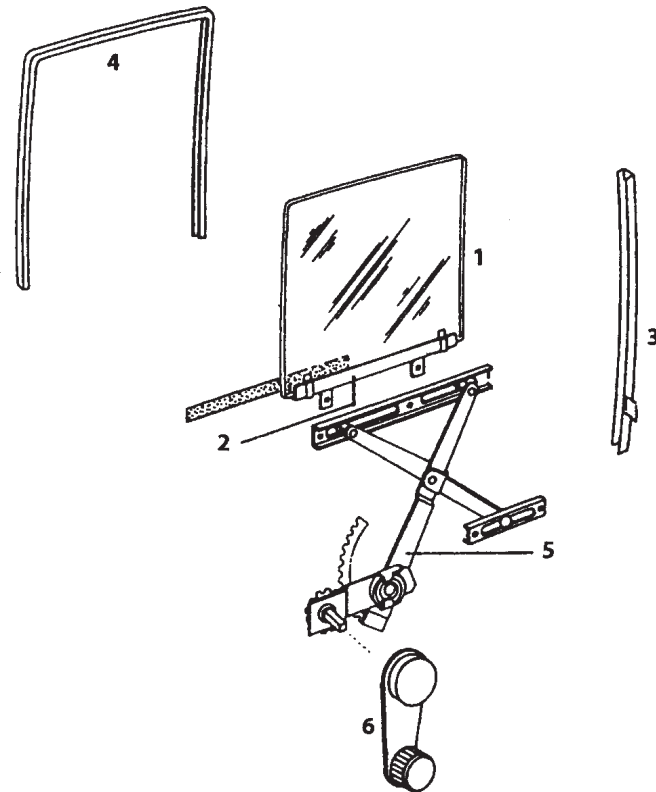


TABLE 73.2

REAR DOOR GLASS AND WINDOW REGULATOR

GROUP 73

FIG. NO.	PART NUMBER	DESCRIPTION	SINGLE CAB				CREW CAB				R/L	REMARKS						
			4 x 2		4 x 4		4 x 2		4 x 4									
			AC HD 1	AC HD 2	AC HD 3	HD 4	HD 5	AC HD 6	AC HD 7	AC HD 8			HD 9	AC HD 10	AC HD 11	AC HD 12	AC HD 13	HD 14
		REAR DOOR GLASS AND WINDOW REGULATOR																
1	2701 7350 23 03	Regulating Glass Tinted- Rear Door LH								1	1	1	1	1	1	1		
1	2701 7350 23 04	Regulating Glass Tinted- Rear Door RH								1	1	1	1	1	1	1		
2	2658 7350 01 31	Assy. Door Glass Holder LH								1	1	1	1	1	1	1		
2	2658 7350 01 32	Assy. Door Glass Holder RH								1	1	1	1	1	1	1		
3	2701 7320 01 09	Assy. Guide Channel LH								1	1	1	1	1	1	1		
3	2701 7320 01 10	Assy. Guide Channel RH								1	1	1	1	1	1	1		
4	2701 7350 25 03	Velvet Channel								2	2	2	2	2	2	2		
5	2658 7350 01 53	Assy. Window Regulator LH (Manual)								1	1	1	1	1	1	1		
5	2658 7350 01 54	Assy. Window Regulator RH (Manual)								1	1	1	1	1	1	1		
6	2832 7230 01 05	Handle Window Regulator Black								1	1	1	1	1	1	1		

TABLE 73.3

REAR DOOR LOCKING SYSTEM

GROUP 73

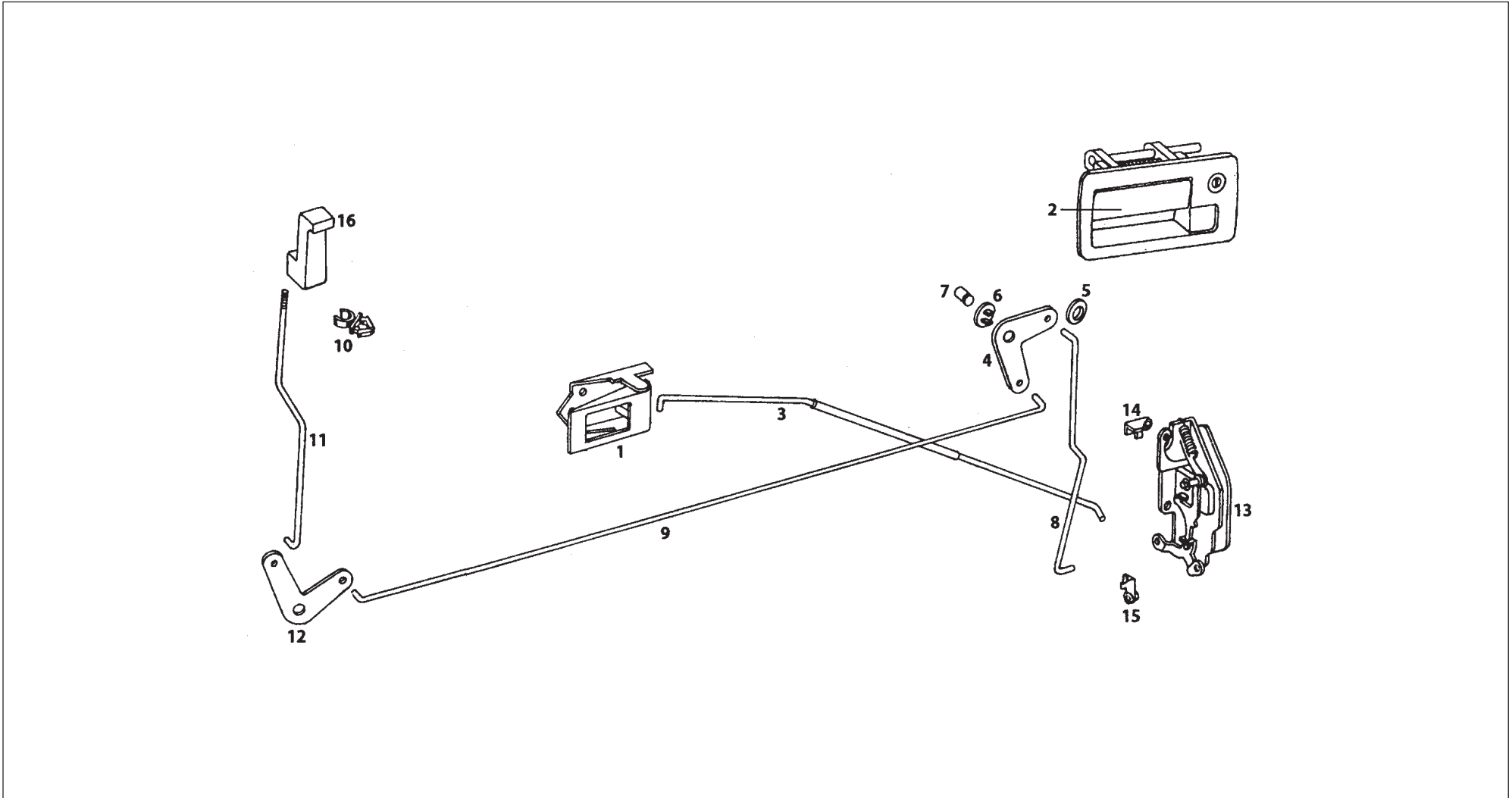


TABLE 73.3

REAR DOOR LOCKING SYSTEM

GROUP 73

FIG. NO.	PART NUMBER	DESCRIPTION	SINGLE CAB				CREW CAB				R/L	REMARKS						
			4 x 2		4 x 4		4 x 2		4 x 4									
			AC HD 1	AC HD 2	AC HD 3	HD 4	HD 5	AC HD 6	AC HD 7	AC HD 8			HD 9	AC HD 10	AC HD 11	AC HD 12	AC HD 13	HD 14
		REAR DOOR LOCKING SYSTEM																
2	2701 7330 01 18	Assy.Outer Handle Door LH (Rear Door)								1	1	1	1	1	1	1		
2	2701 7330 01 19	Assy.Outer Door Handle RH (Rear Door)								1	1	1	1	1	1	1		
3	2701 7330 60 03	Pull Rod LH (Inner Handle)								1	1	1	1	1	1	1		
3	2701 7330 60 04	Pull Rod RH (Inner Handle)								1	1	1	1	1	1	1		
4	2658 7330 60 02	Bell Crank								2	2	2	2	2	2	2		
5	2658 7330 63 02	Bush (Bell Crank Pop Up Knob)								4	4	4	4	4	4	4		
6	2658 7330 63 03	Button (Bell Crank Pop Up Knob)								4	4	4	4	4	4	4		
7	2658 7330 63 01	Pin [bell Crank Pop Up Knob]								4	4	4	4	4	4	4		
8	2833 7330 01 01	Assy.Link LH (Bell Crank)								1	1	1	1	1	1	1		
8	2833 7330 01 02	Assy.Link LH (Bell Crank)								1	1	1	1	1	1	1		
9	2701 7330 60 05	Pull Rod LH (Pop-Up Knob)								1	1	1	1	1	1	1		
9	2701 7330 60 06	Pull Rod RH (Pop-up Knob)								1	1	1	1	1	1	1		
10	2658 7330 63 04	Holder (Pop-up Knob)								2	2	2	2	2	2	2		
11	2701 7330 60 09	Link (Pop-up Knob)								2	2	2	2	2	2	2		
12	2658 7330 60 02	Bell Crank Front (Pop Up Knob)								2	2	2	2	2	2	2		
13	2654 7231 01 20	Assy.Door Lock Compt LH								1	1	1	1	1	1	1		
13	2654 7231 01 19	Assy.Door Lock Compt RH								1	1	1	1	1	1	1		
14	2654 7230 63 23	Snap Connector LH								3	3	3	3	3	3	3		

TABLE 73.3

REAR DOOR LOCKING SYSTEM

GROUP 73

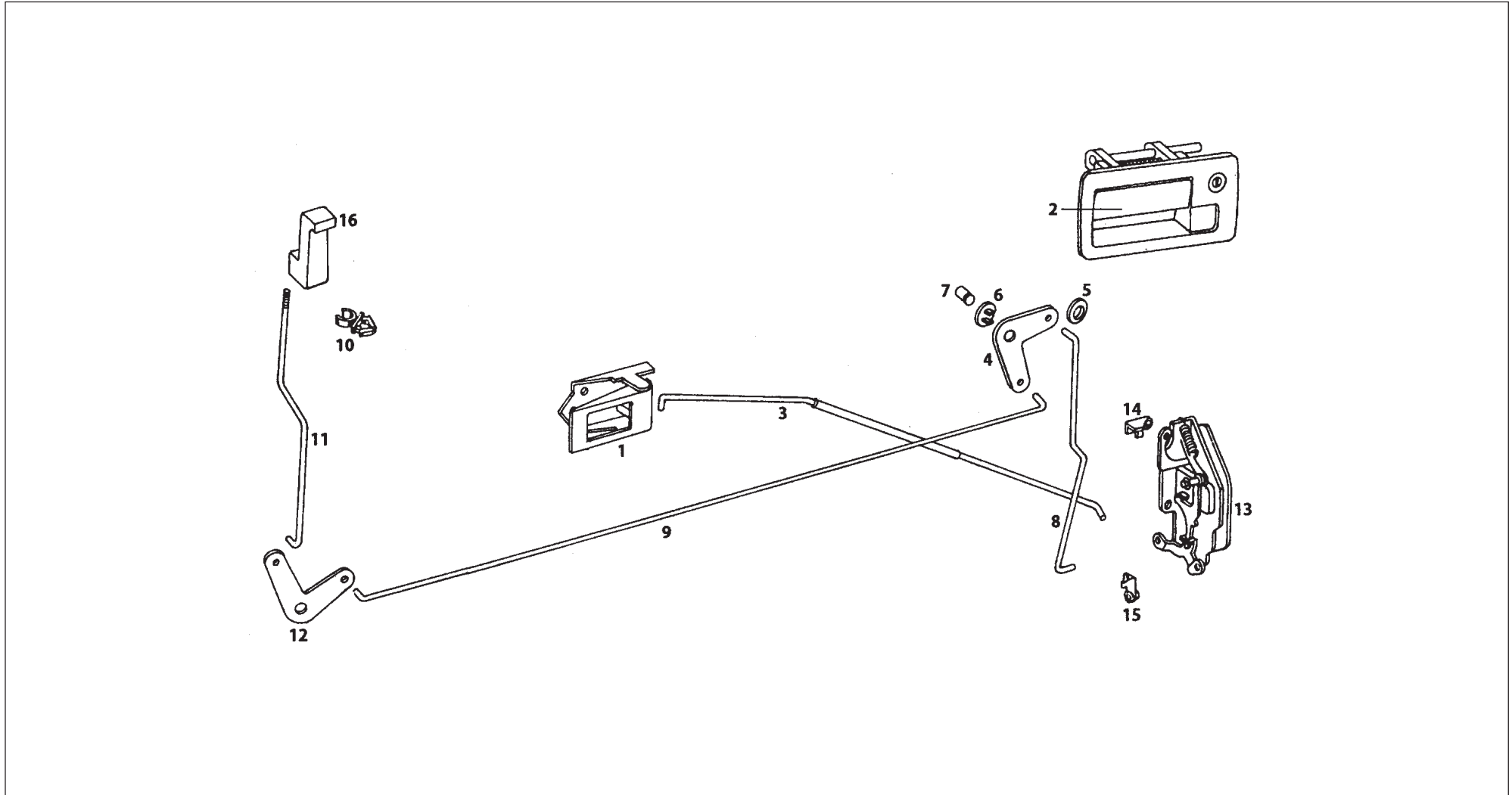


TABLE 73.3

REAR DOOR LOCKING SYSTEM

GROUP 73

FIG. NO.	PART NUMBER	DESCRIPTION	SINGLE CAB						CREW CAB						R/L	REMARKS	
			4 x 2				4 x 4		4 x 2				4 x 4				
			AC HD 1	AC HD 2	AC HD 3	HD 4	HD 5	AC HD 6	AC HD 7	AC HD 8	HD 9	AC HD 10	AC HD 11	AC HD 12			AC HD 13
15	2654 7230 63 13	Snap Connector RH							14	14	14	14	14	14	14		
16	2658 7230 01 16	Assy. Pop-up Knob Darker Gray							2	2	2	2	2	2	2		

TABLE 81.1

INTERNAL AND EXTERNAL FITMENTS

GROUP 81

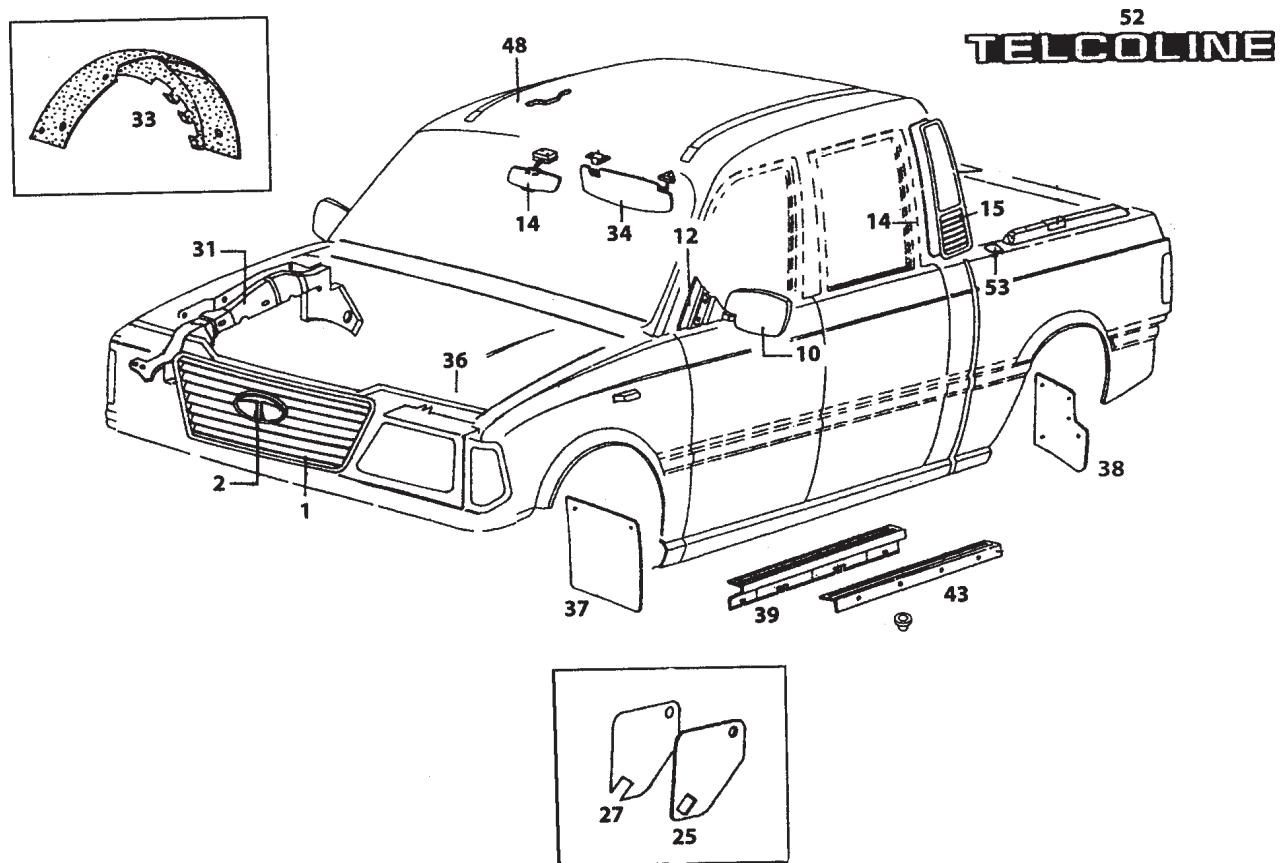


TABLE 81.1
INTERNAL AND EXTERNAL FITMENTS
GROUP 81

FIG. NO.	PART NUMBER	DESCRIPTION	SINGLE CAB							CREW CAB							R/L	REMARKS
			4 x 2				4 x 4			4 x 2				4 x 4				
			AC HD 1	AC HD 2	AC HD 3	HD 4	HD 5	AC HD 6	AC HD 7	AC HD 8	HD 9	AC HD 10	AC HD 11	AC HD 12	AC HD 13	HD 14		
		INTERNAL AND EXTERNAL FITMENTS																
1	2654 8880 63 02	Front Grill	1	1	1	1	1	1	1	1	1	1	1	1	1	1		
2	2698 8880 01 07	Assy T Emblem	1	1	1	1	1	1	1	1	1	1	1	1	1	1		
10	2832 8110 01 05	.Assy.External RVM LH RHD (Spherical)		1	1	1	1		1	1	1	1	1				R	
10	2832 8110 01 04	Assy External Rear View Mirror RH RHD (Plain)			1	1	1		1	1	1	1	1				R	
10	2832 8110 01 06	Assy External Rear View mirror LH LHD (Plain)	1		1	1	1	1	1	1	1		1		1		L	
10	2832 8110 01 07	Assy External Rear View Mirror RH LHD (Spherical)	1		1	1	1	1	1	1	1		1		1		L	
10	2659 8110 01 66	Assy.R.V.Mirror Outside LH (Convex)													1			
10	2659 8110 01 67	Assy.R.V.Mirror Outside RH (Flat)												1				
12	2658 8111 01 09	Assy Cover Inner LH (Dark Gray) out Side Rear View Mirror	1	1	1	1	1	1	1	1	1	1	1		1			
12	2658 8111 01 10	Assy Cover Inner RH (Dark Gray) Out Side Rear View Mirror	1	1	1	1	1	1	1	1	1	1	1		1			
--	2832 8110 86 01	Spacer(Rear View Mirror)	3	3	3	3	3	3	3	3	3	3	3		3			
14	2658 8111 01 11	Assy Internal Rear View Mirror (Grey)	1	1	1	1	1	1	1	1	1	1	1	1	1			
15	2654 8110 01 03	Assy Plastic Grill Outer (Rear) LH	1	1	1	1	1	1	1									
15	2654 8110 01 04	Assy Plastic Grill Outer (Rear) RH	1	1	1	1	1	1	1									
15	2701 8110 01 02	Assy Plastic Grill Outer (Rear) LH								1	1	1	1	1	1			
15	2701 8110 01 03	Assy Plastic Grill Outer (Rear) RH								1	1	1	1	1	1			
25	2654 8110 01 75	Assy Cover (Support Panel) LH LHD	1		1	1	1	1	1	1	1		1		1		L	
25	2654 8110 01 34	Assy Cover (Support Panel) RH LHD	1		1	1	1	1	1	1	1		1		1		L	
27	2654 8110 01 72	Assy Cover (Support Panel) RH RHD		1	1	1	1		1	1	1		1	1	1		R	

TABLE 81.1

INTERNAL AND EXTERNAL FITMENTS

GROUP 81

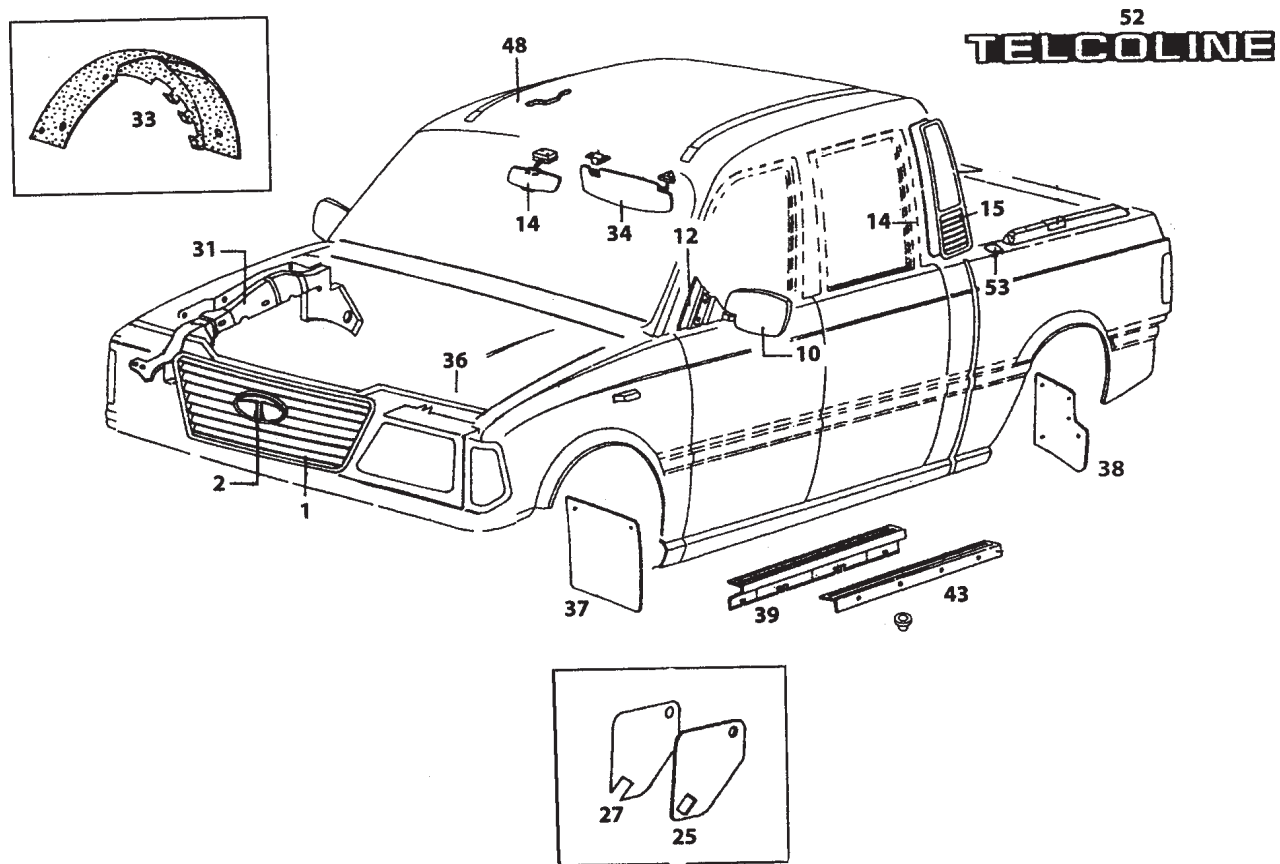


TABLE 81.1

INTERNAL AND EXTERNAL FITMENTS

GROUP 81

FIG. NO.	PART NUMBER	DESCRIPTION	SINGLE CAB							CREW CAB							R/L	REMARKS
			4 x 2				4 x 4			4 x 2				4 x 4				
			AC HD 1	AC HD 2	AC HD 3	HD 4	HD 5	AC HD 6	AC HD 7	AC HD 8	HD 9	AC HD 10	AC HD 11	AC HD 12	AC HD 13	HD 14		
27	2654 8110 01 83	Assy. Cover (Support Panel)							1	1	1		1	1	1		R	
27	2654 8110 77 02	Sealing Cover (Support Panel) LH LHD	1	1	1	1	1	1	1	1	1	1	1	1	1	1	L	
31	2660 8110 63 07	Mudguard Liner Inner LH Front Wheel Arch	1		1	1	1	1	1	1	1	1		1		1	L	
31	2653 8110 63 09	Mudguard Liner Inner RH Front Wheel Arch	1		1	1	1	1	1	1	1	1		1		1	L	
31	2660 8110 63 03	Mudguard Liner Inner LH Front Wheel Arch		1	1	1	1		1	1	1		1	1	1		R	
31	2660 8110 63 04	Mudguard Liner Inner RH Front Wheel Arch		1	1	1	1		1	1	1		1	1	1		R	
33	2659 8110 63 15	Mudguard Liner LH (Front Outer)	1	1	1	1	1	1	1	1	1	1	1	1	1			
33	2659 8110 63 16	Mudguard Liner RH (Front Outer)	1	1	1	1	1	1	1	1	1	1	1	1	1			
34	2654 8111 01 05	Assy Sunvisor LH LHD Light Grey	1				1	1	1	1	1	1		1		1	L	
34	2654 8111 01 06	Assy Sunvisor RH LHD Light Grey	1				1	1	1	1	1	1		1		1	L	
34	2654 8111 01 07	Assy Sunvisor LH RHD Light Grey		1	1	1	1		1	1	1		1	1	1	1	R	
34	2654 8111 01 08	Assy Sunvisor RH RHD Light Grey		1	1	1	1		1	1	1		1	1	1	1	R	
37	2660 8110 63 08	Mud Flap Front LH	1	1	1	1	1	1	1	1	1	1	1	1	1			Optional
37	2660 8110 63 14	Mud Flap Front LH	1	1	1	1	1	1	1	1	1	1	1	1	1			Optional
37	2660 8110 63 09	Mud Flap Front RH	1	1	1	1	1	1	1	1	1	1	1	1	1			Optional
37	2660 8110 63 15	Mud Flap Front RH	1	1	1	1	1	1	1	1	1	1	1	1	1			Optional
38	2653 7000 63 03	Mud Flap Rear	2	2	2	2	2	2	2	2	2	2	2	2	2			
39	2654 8110 63 58	Side Beading Carpet (Black)	2	2	2	2	2	2	2	2	2	2	2	2	2			
43	2833 8110 63 01	Cover Sill Front (Black)	2	2	2	2	2	2	2	2	2	2	2	2	2			
48	2678 6950 01 01	Assy Grab Handle (Collapsible)	1	1	1	1	1	1	1	1	1	3	3	3	3			Optional

TABLE 81.1

INTERNAL AND EXTERNAL FITMENTS

GROUP 81

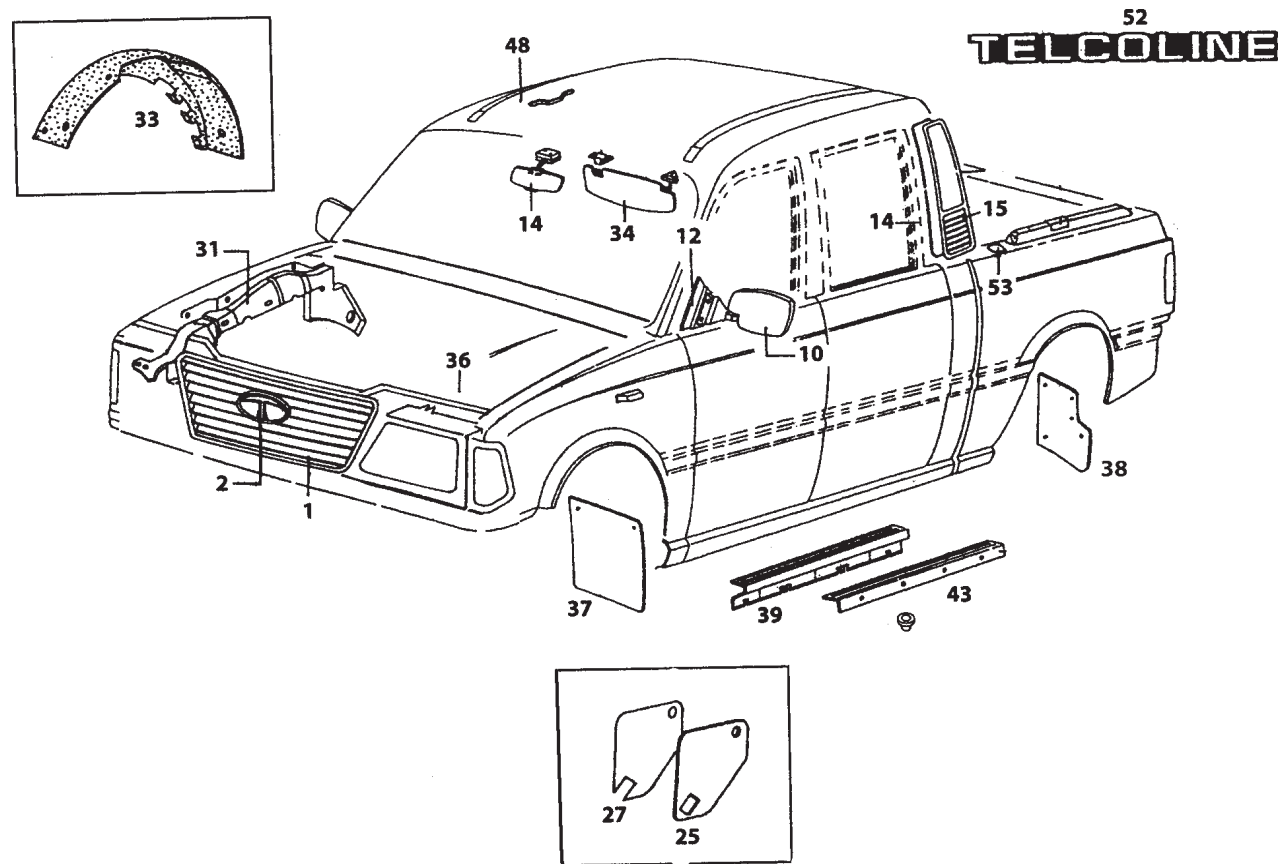


TABLE 81.1

INTERNAL AND EXTERNAL FITMENTS

GROUP 81

FIG. NO.	PART NUMBER	DESCRIPTION	SINGLE CAB						CREW CAB						R/L	REMARKS	
			4 x 2			4 x 4			4 x 2			4 x 4					
			AC HD 1	AC HD 2	AC HD 3	HD 4	HD 5	AC HD 6	AC HD 7	AC HD 8	HD 9	AC HD 10	AC HD 11	AC HD 12			AC HD 13
48	2678 6950 01 02	Assy Grab Handle (Collapsible)	1	1	1	1	1	1	1	1	1	3	3	3	3	3	Optional
48	2678 6950 63 11	Grab Handle								3	3	3					
52	2654 7000 01 86	Assy Telcoline Mascot	1	1	1	1	1	1	1	1	1	1	1	1	1		
--	2698 8190 01 02	Assy Door Clip	8	8	8	8	8	8	8	8	8	8	8	8	8		

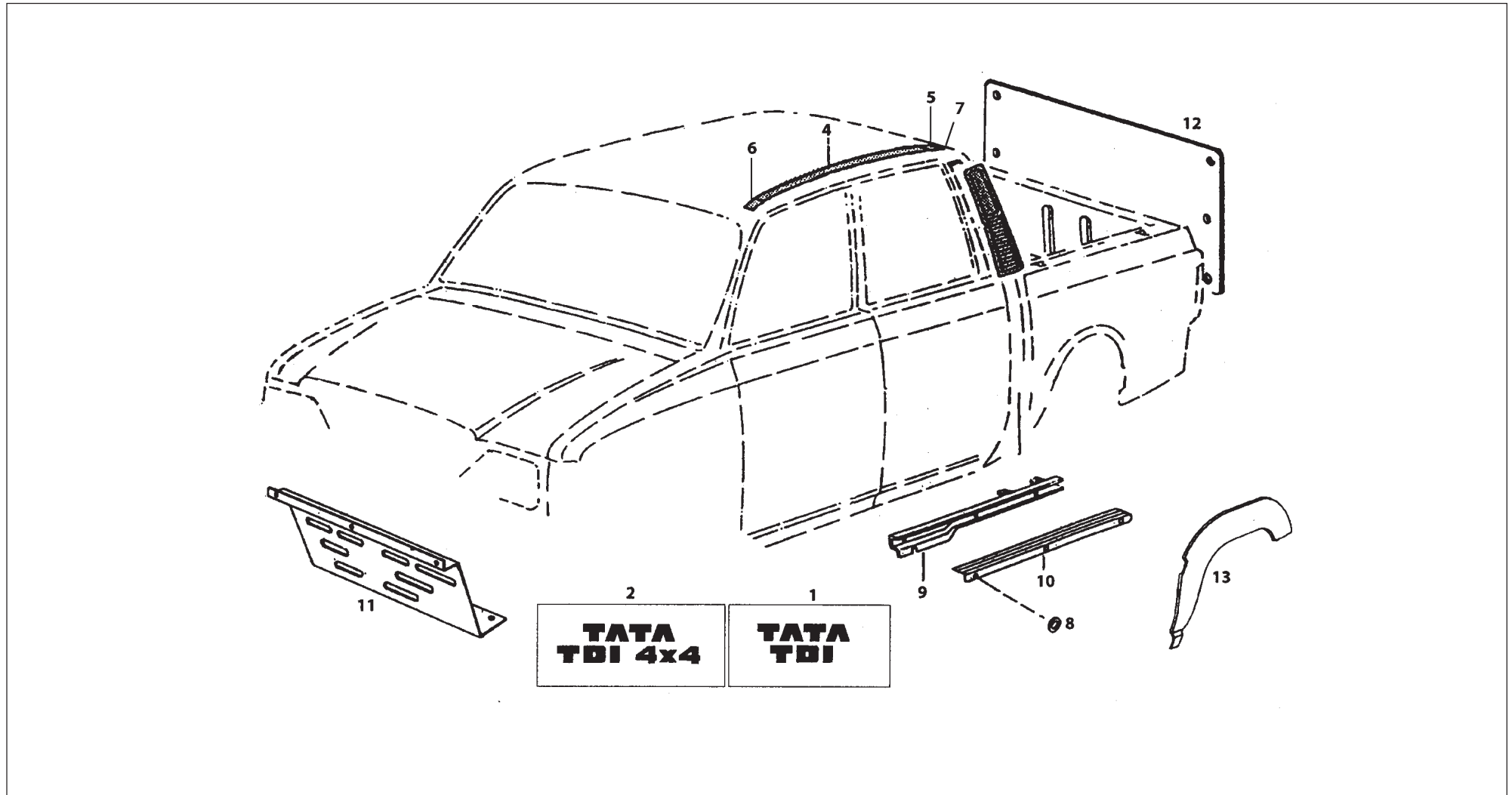


TABLE 81.2
INTERNAL AND EXTERNAL FITMENTS
GROUP 81

FIG. NO.	PART NUMBER	DESCRIPTION	SINGLE CAB						CREW CAB						R/L	REMARKS		
			4 x 2			4 x 4			4 x 2			4 x 4						
			AC HD 1	AC HD 2	AC HD 3	HD 4	HD 5	AC HD 6	AC HD 7	AC HD 8	HD 9	AC HD 10	AC HD 11	AC HD 12			AC HD 13	HD 14
		INTERNAL AND EXTERNAL FITMENTS																
1	2659 8180 01 12	Assy Tata TDI Mascot	2	2	2	2	2		2	2	2	2						
2	2653 8180 01 02	Assy TATA TDI 4x4 Mascot			2	2	2	2	2					2	2	2		
2	2660 8180 01 02	Assy TATA TDI 4x4 Mascot			2	2	2	2	2					2	2	2		
4	2654 8110 63 80	Roof Beading LH	1	1	1	1	1	1	1									
4	2654 8110 63 81	Roof Beading RH	1	1	1	1	1	1	1									
4	2001 8110 01 28	Assy. Roof Beading								2	2	2	2	2	2			
5	2701 8110 63 10	Roof Beading Front																2
--	2001 8110 01 28	Assy Roof Beading Rear																2
6	2654 8110 63 82	End Cap LH Front (Roof Beading)	1	1	1	1	1	1	1	1	1	1	1	1	1	1	1	1
6	2654 8110 63 83	End Cap RH Front (Roof Beading)	1	1	1	1	1	1	1	1	1	1	1	1	1	1	1	1
7	2654 8110 63 61	End Cap Rear LH (Roof Beading)								1	1	1	1	1	1	1	1	1
7	2654 8110 63 62	End Cap Rear RH (Roof Beading)								1	1	1	1	1	1	1	1	1
	2701 8110 63 08	End Cap Rear LH (Roof Beading)																1
	2701 8110 63 09	End Cap Rear RH (Roof Beading)																1
8	2651 8880 63 07	Rubber Washer	2	2	2	2	2	2	2	2	2	2	2	2	2	2	2	2
9	2658 6920 63 16	Side Beading Carpet (Rear) LH(Black)								1	1	1	1	1	1	1	1	1
9	2658 6920 63 17	Side Beading Carpet (Rear) RH(Black)								1	1	1	1	1	1	1	1	1
10	2833 8110 63 02	Cover Sill Rear Black								1	1	1	1	1	1	1	1	1
11	2653 3100 82 01	Front Skirt	1	1	1	1	1	1	1	1	1	1	1	1	1	1	1	1

TABLE 81.2

INTERNAL AND EXTERNAL FITMENTS

GROUP 81

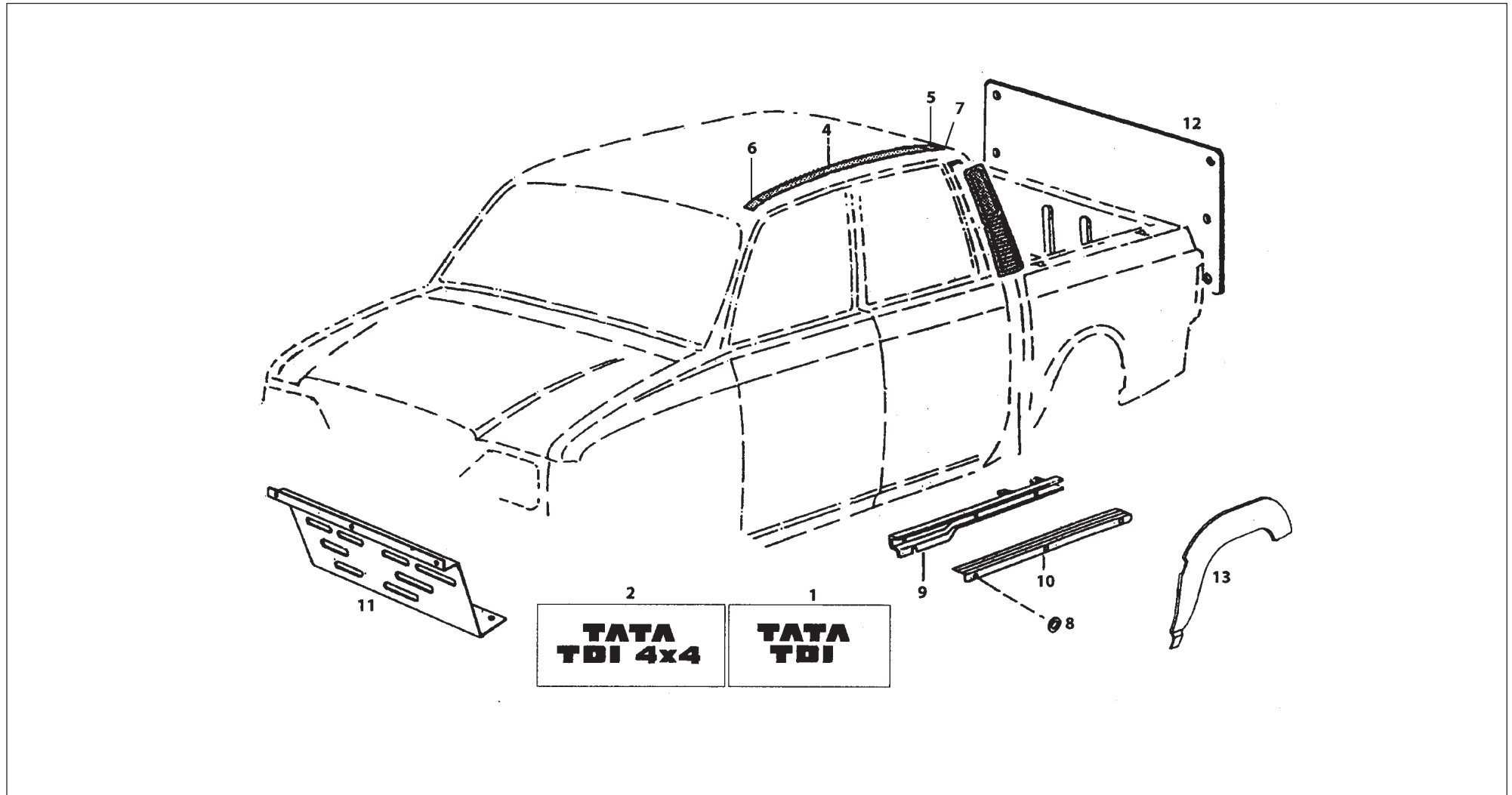


TABLE 81.2

INTERNAL AND EXTERNAL FITMENTS

GROUP 81

FIG. NO.	PART NUMBER	DESCRIPTION	SINGLE CAB						CREW CAB						R/L	REMARKS
			4 x 2			4 x 4			4 x 2			4 x 4				
			AC HD 1	AC HD 2	AC HD 3	HD 4	HD 5	AC HD 6	AC HD 7	AC HD 8	HD 9	AC HD 10	AC HD 11	AC HD 12		
12	2701 6950 01 12	Assy.Rear Wall Padding (Gray)							1	1	1	1	1	1		
12	2832 6950 63 03	Assy.Rear Wall Padding (Gray)	1	1	1	1	1	1	1							
13	2653 8110 63 07	Fender Extension Front LH - Grey	1	1	1	1	1	1	1	1	1	1	1	1	1	
13	2653 8110 63 08	Fender Extension Front RH - Grey	1	1	1	1	1	1	1	1	1	1	1	1	1	
--	2659 8111 63 52	Fender Extension Beading (Front)	2	2	2	2	2	2	2	2	2	2	2	2	2	
--	2653 7000 63 14	Fender Extension LH (Rear) - Grey	1	1	1	1	1	1	1	1	1		1	1		
--	2653 7000 63 15	Fender Extension RH(Rear) - Grey	1	1	1	1	1	1	1	1	1		1	1		
--	2701 8190 63 02	Roof Carrier Bracket Rear LH														1
--	2701 8190 63 03	Roof Carrier Bracket Rear RH														1
--	2701 8190 63 04	Roof Carrier Bracket Front LH														1
--	2701 8190 63 05	Roof Carrier Bracket Front RH														1
--	2701 8190 69 01	Tube(Roof Carrier)														2
--	2659 8190 82 01	Plate Washer														8
--	2659 8190 63 06	Cap(Roof Carrier Bracket)														8
--	2699 6910 01 02	Assy Cabin Air Extractor Valve	2	2	2	2	2	2	2	2	2	2	2	2	2	
--	2832 8110 63 15	Foot Step Strip	2	2	2	2	2	2	2	2	2	2	2	2	2	

TABLE 81.3

INTERNAL AND EXTERNAL FITMENTS

GROUP 81

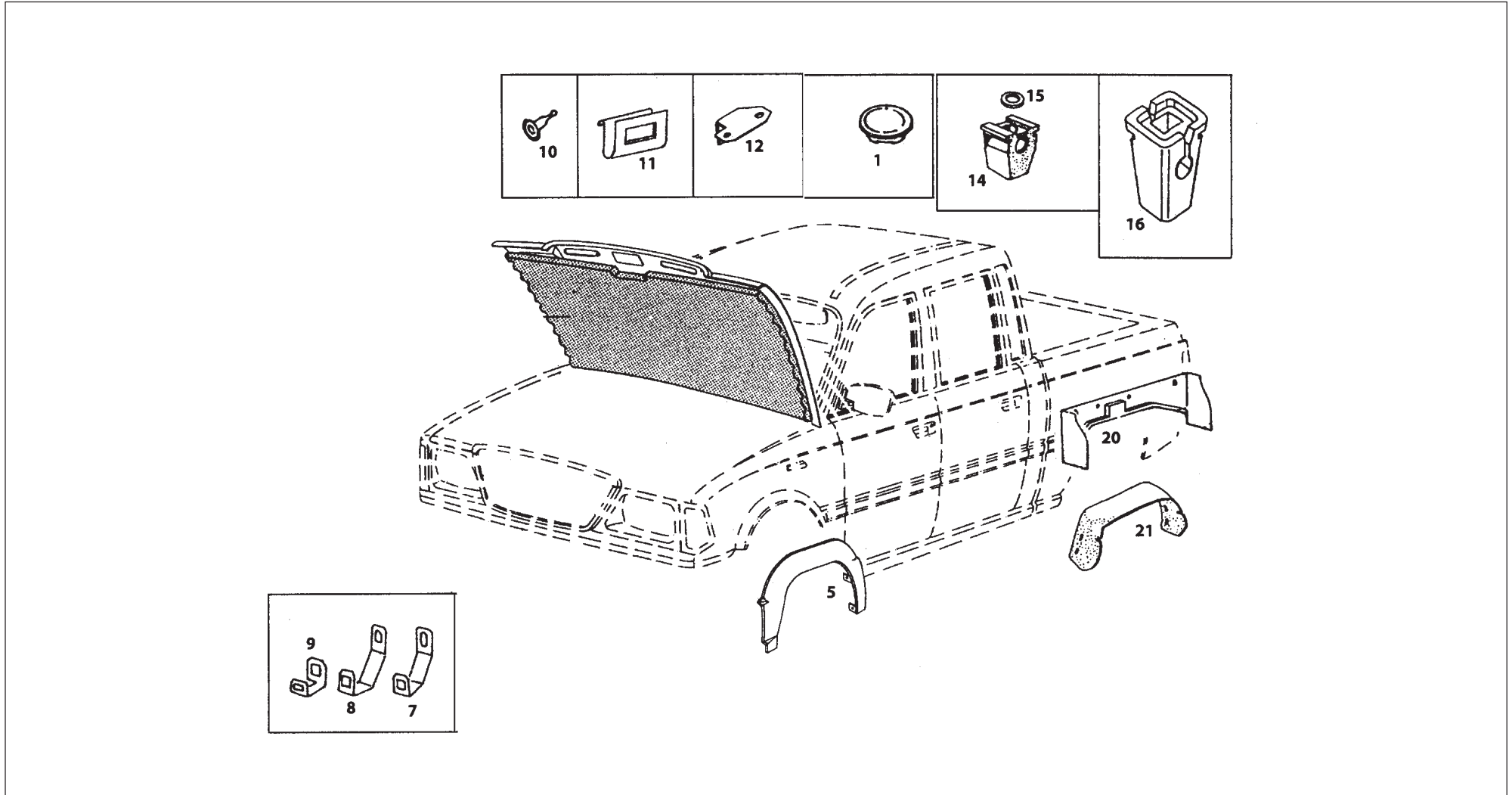


TABLE 81.3
INTERNAL AND EXTERNAL FITMENTS
GROUP 81

FIG. NO.	PART NUMBER	DESCRIPTION	SINGLE CAB							CREW CAB							R/L	REMARKS	
			4 x 2				4 x 4			4 x 2				4 x 4					
			AC HD 1	AC HD 2	AC HD 3	HD 4	HD 5	AC HD 6	AC HD 7	AC HD 8	HD 9	AC HD 10	AC HD 11	AC HD 12	AC HD 13	HD 14			
		INTERNAL AND EXTERNAL FITMENTS																	
1	2654 8190 63 02	Button (Cross Member)	6	6	6	6	6	6	6	6	6	6	6	6	6	6			
5	2653 8110 63 07	Tender Extension Front LH - Gray	1	1	1	1	1	1	1	1	1	1	1	1	1	1			
5	2653 8110 63 08	Tender Extension Front RH - Gray	1	1	1	1	1	1	1	1	1	1	1	1	1	1			
7	2660 8110 82 01	Bracket Front LH (Front Fender Extension)	1	1	1	1	1	1	1	1	1	1	1	1	1	1			
8	2660 8110 82 02	Bracket Front RH (Front Fender Extension)	1	1	1	1	1	1	1	1	1	1	1	1	1	1			
9	2660 8110 82 03	Bracket Centre (Front Fender Ext.)	1	1	1	1	1	1	1	1	1	1	1	1	1	1			
--	2660 8110 82 04	Rear Bracket (Front Fender Ext.)	1	1	1	1	1	1	1	1	1	1	1	1	1	1			
10	2698 8190 01 01	Assy Clip (Large)	8	8	8	8	8	8	8	8	8	8	8	8	8	8			
11	2660 8110 82 05	Rear Bottom Bracket LH (Front Fender Ext.)	1	1	1	1	1	1	1	1	1	1	1	1	1	1			
12	2660 8110 82 06	Rear Bottom Bracket RH (Front Fender Ext.)	1	1	1	1	1	1	1	1	1	1	1	1	1	1			
10	2654 8110 75 03	Screw Grommet	6	6	6	6	6	6	6	6	6	6	6	6	6	6			
15	2654 8110 92 01	Washer	4	4	4	4	4	4	4	4	4	4	4	4	4	4			
16	2659 8860 63 22	Screw Grommet	6	6	6	6	6	6	6	6	6	6	6	6	6	6			
20	2653 7000 63 01	Liner Inner LH (Rear Wheel Arch)	1	1	1	1	1	1	1	1	1	1	1	1	1	1			
20	2653 7000 63 02	Liner Inner RH (Rear Wheel Arch)	1	1	1	1	1	1	1	1	1	1	1	1	1	1			
21	2659 8110 63 15	Mudguard Liner LH (Front Outer)	1	1	1	1	1	1	1	1	1	1	1	1	1	1			
21	2659 8110 63 16	Mudguard Liner RH (Front Outer)	1	1	1	1	1	1	1	1	1	1	1	1	1	1			
22	2833 8110 01 18	Assy Sealing Inner LH (Front Door)	1	1	1	1	1	1	1	1	1	1		1					Optional
22	2833 8110 01 23	Assy Sealing Inner LH (Front Door)	1	1	1	1	1	1	1	1	1	1		1					Optional

TABLE 81.3

INTERNAL AND EXTERNAL FITMENTS

GROUP 81

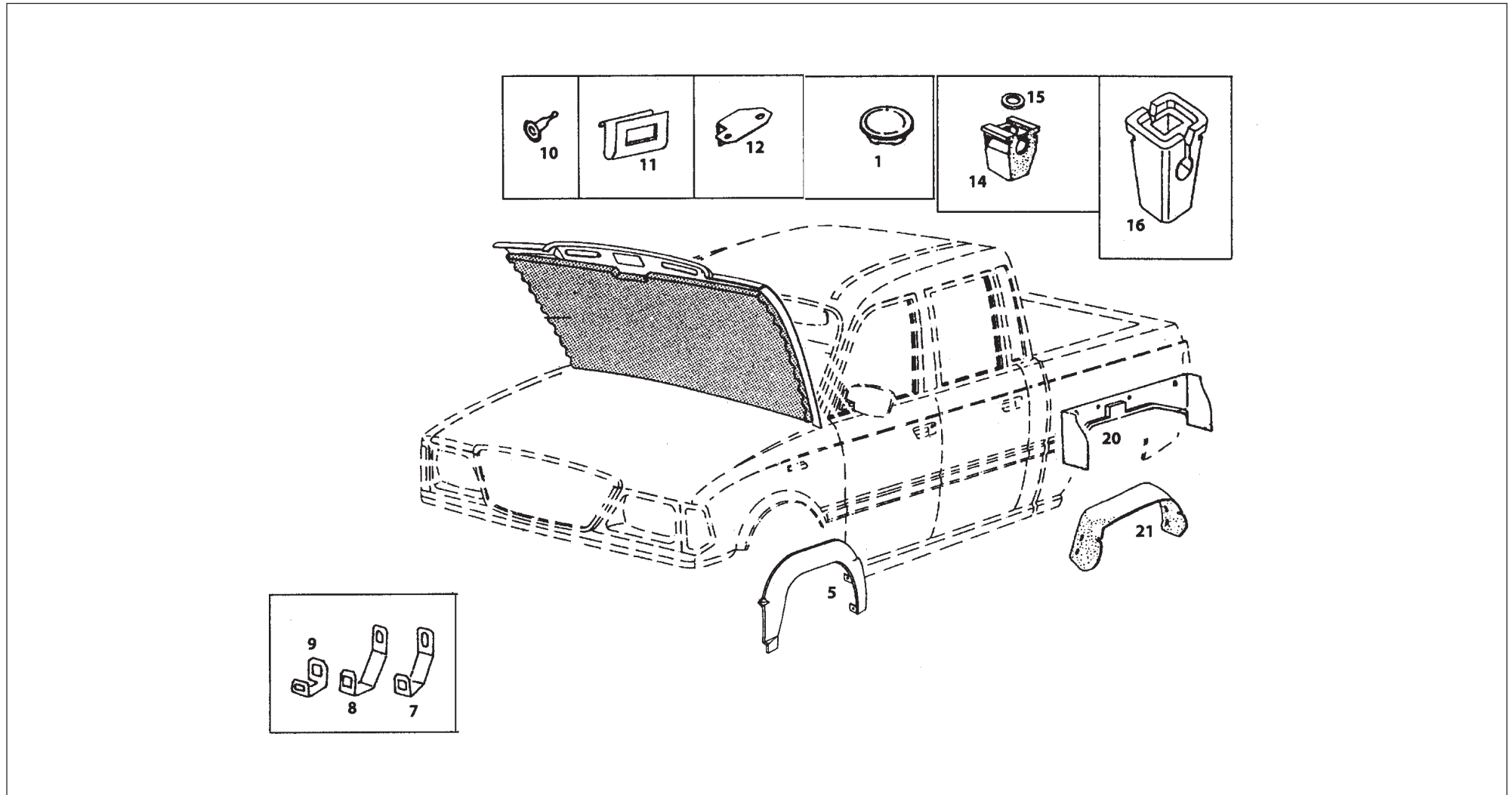


TABLE 81.3
INTERNAL AND EXTERNAL FITMENTS
GROUP 81

FIG. NO.	PART NUMBER	DESCRIPTION	SINGLE CAB						CREW CAB						R/L	REMARKS	
			4 x 2			4 x 4			4 x 2			4 x 4					
			AC HD 1	AC HD 2	AC HD 3	HD 4	HD 5	AC HD 6	AC HD 7	AC HD 8	HD 9	AC HD 10	AC HD 11	AC HD 12			AC HD 13
22	2833 8110 01 19	Assy Sealing Inner RH (Front Door)	1	1	1	1	1	1	1	1	1		1				Optional
22	2833 8110 01 24	Assy Sealing Inner RH (Front Door)	1	1	1	1	1	1	1	1	1		1				Optional
22	2833 8110 01 08	Assy Sealing Inner LH (For Front Door)							1	1		1	1	1	1		
22	2833 8110 01 09	Assy Sealing Inner RH (For Front Door)							1	1		1	1	1	1		
23	2833 8110 01 20	Assy Sealing Inner RH (For Rear Door)							1	1	1		1				Optional
23	2833 8110 01 25	Assy Sealing Inner RH (For Rear Door)							1	1	1		1				Optional
23	2833 8110 01 21	Assy Sealing Inner LH (For Rear Door)							1	1	1		1				Optional
23	2833 8110 01 26	Assy Sealing Inner LH (For Rear Door)							1	1	1		1				Optional
23	2833 8110 01 10	Assy. Sealing Inner Door LH (Rear Door)														1	UK
23	2833 8110 01 11	Assy. Sealing Inner Door RH (Rear Door)														1	UK
24	2833 8110 01 31	Assy. Foot Step (Safary Type)										2					
	2833 8110 63 23	Foot Step Strip							2				2	2			

TABLE 82.1

WIND SHIELD WIPING SYSTEM

GROUP 82

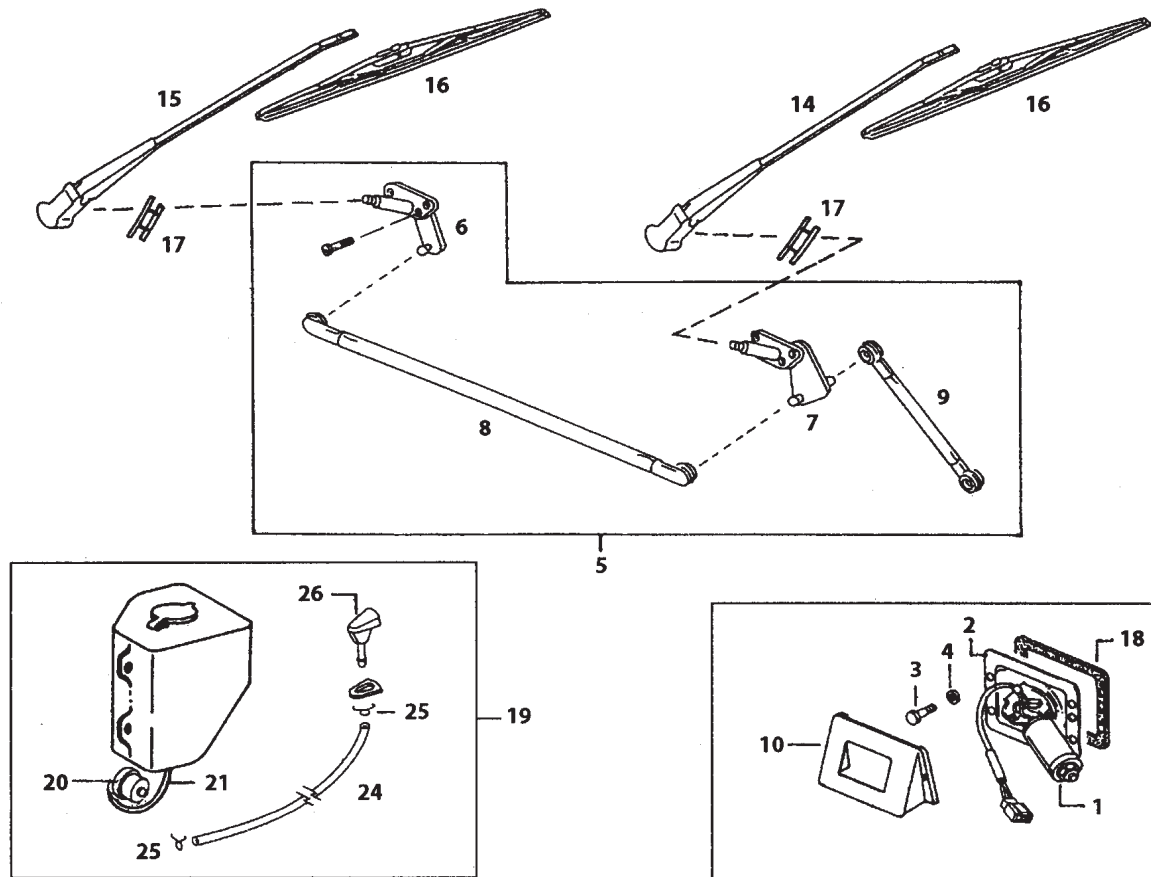


TABLE 82.1
WIND SHIELD WIPING SYSTEM
GROUP 82

FIG. NO.	PART NUMBER	DESCRIPTION	SINGLE CAB						CREW CAB						R/L	REMARKS	
			4 x 2				4 x 4		4 x 2				4 x 4				
			AC HD 1	AC HD 2	AC HD 3	HD 4	HD 5	AC HD 6	AC HD 7	AC HD 8	HD 9	AC HD 10	AC HD 11	AC HD 12			AC HD 13
		WIND SHIELD WIPING SYSTEM															
1	2654 8240 01 65	Assy. Wiper Motor with R/S I & Therm C/o	1	1	1	1	1	1	1	1	1	1	1	1	1	1	R
1	2654 8240 01 80	Assy. Wiper Motor with R/S I & Therm C/o	1	1	1	1	1	1	1	1	1	1	1	1	1	1	L
2	2654 8240 01 27	Assy. Bracket (Wiper Motor Mtg.)	1	1	1	1	1	1	1	1	1	1	1	1	1	1	R
2	2654 8240 01 45	Assy. Bracket (Wiper Motor Mtg.)	1	1	1	1	1	1	1	1	1	1	1	1	1	1	L
5	2654 8240 01 76	Assy. Wiper Kit Consisting of :	1	1	1	1	1	1	1	1	1	1	1	1	1	1	
6		Assy. Wheel Box	1	1	1	1	1	1	1	1	1	1	1	1	1	1	
7		Assy. Wheel Box	1	1	1	1	1	1	1	1	1	1	1	1	1	1	
8		Assy. Link Rod (I)	1	1	1	1	1	1	1	1	1	1	1	1	1	1	
9		Assy. Link Rod (II)	1	1	1	1	1	1	1	1	1	1	1	1	1	1	
10	2654 8240 63 02	Cover (Wiper Motor)	1	1	1	1	1	1	1	1	1	1	1	1	1	1	R
10	2654 8240 63 04	Cover (Wiper Motor)	1	1	1	1	1	1	1	1	1	1	1	1	1	1	L
14	2654 8241 01 26	Assy. Wiper Arm LH	1	1	1	1	1	1	1	1	1	1	1	1	1	1	R
15	2654 8241 01 38	Assy. Wiper Arm With Spoiler RH	1	1	1	1	1	1	1	1	1	1	1	1	1	1	R
14	2654 8241 01 32	Assy. Wiper Arm LH	1	1	1	1	1	1	1	1	1	1	1	1	1	1	L
15	2654 8240 99 33	Assy. Wiper Arm With Spoiler RH	1	1	1	1	1	1	1	1	1	1	1	1	1	1	L
16	2654 8241 01 38	Assy. Wiper Blade	2	2	2	2	2	2	2	2	2	2	2	2	2	2	
18	2654 8240 75 03	Gasket (For Wiper motor Bracket)	1	1	1	1	1	1	1	1	1	1	1	1	1	1	L
18	2654 8240 75 01	Gasket (For Wiper motor Bracket)	1	1	1	1	1	1	1	1	1	1	1	1	1	1	R

TABLE 82.1

WIND SHIELD WIPING SYSTEM

GROUP 82

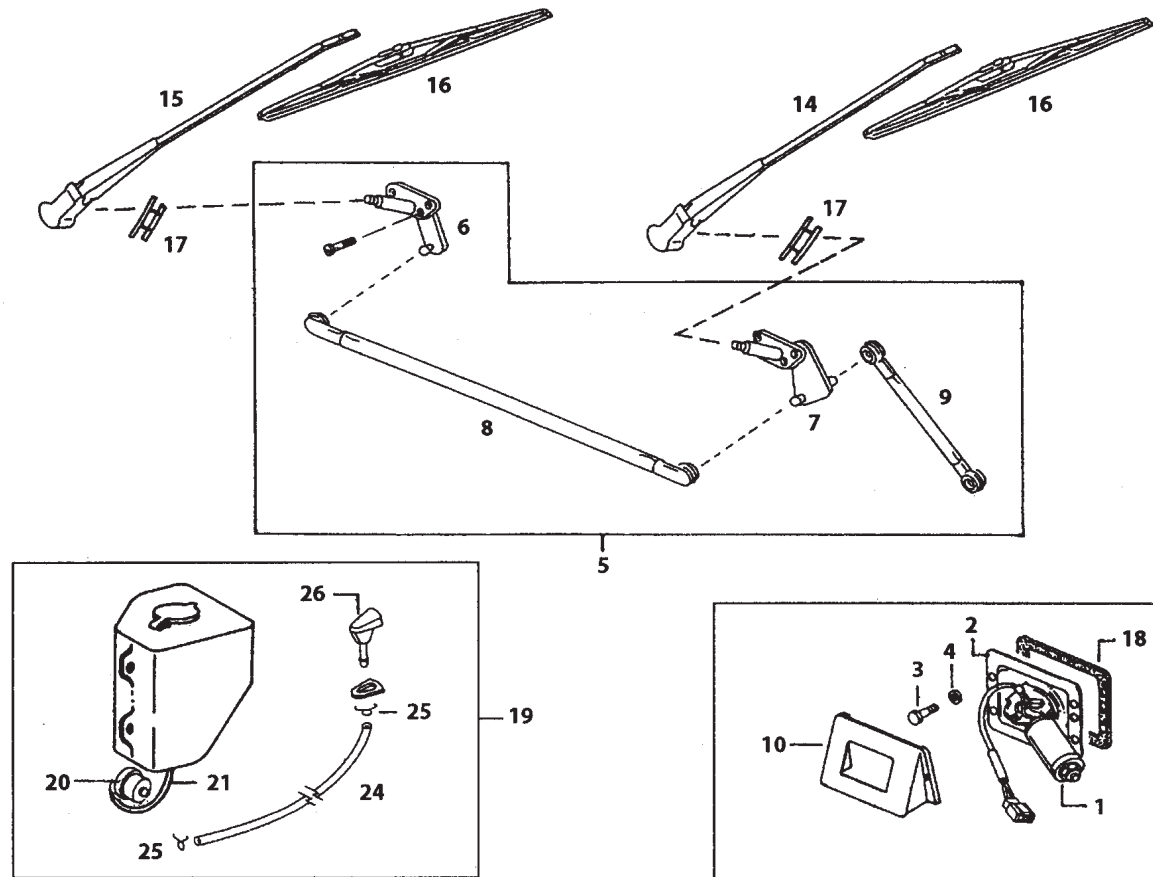


TABLE 82.1

WIND SHIELD WIPING SYSTEM

GROUP 82

FIG. NO.	PART NUMBER	DESCRIPTION	SINGLE CAB						CREW CAB						R/L	REMARKS	
			4 x 2			4 x 4			4 x 2			4 x 4					
			AC HD 1	AC HD 2	AC HD 3	HD 4	HD 5	AC HD 6	AC HD 7	AC HD 8	HD 9	AC HD 10	AC HD 11	AC HD 12			AC HD 13
19	2659 8240 01 46	Kit Elec.W/S Washer Consisting of :	1	1	1	1	1	1	1	1	1	1	1	1	1		
20		Pump Assy. with Motor and Tank	1	1	1	1	1	1	1	1	1	1	1	1	1		
21		Tube Tank to Pump Inlet	1	1	1	1	1	1	1	1	1	1	1	1	1		
-		Assy. Bracket	1	1	1	1	1	1	1	1	1	1	1	1	1		
-		M 5x20 Slotted Ch. Screw	2	2	2	2	2	2	2	2	2	2	2	2	2		
24		Tube (2000 mm)	1	1	1	1	1	1	1	1	1	1	1	1	1		
25		Omega Clip	4	4	4	4	4	4	4	4	4	4	4	4	4		
26		Assy. Nozzle	1	1	1	1	1	1	1	1	1	1	1	1	1		

TABLE 83.1

HEATING AND DEMISTING

GROUP 83

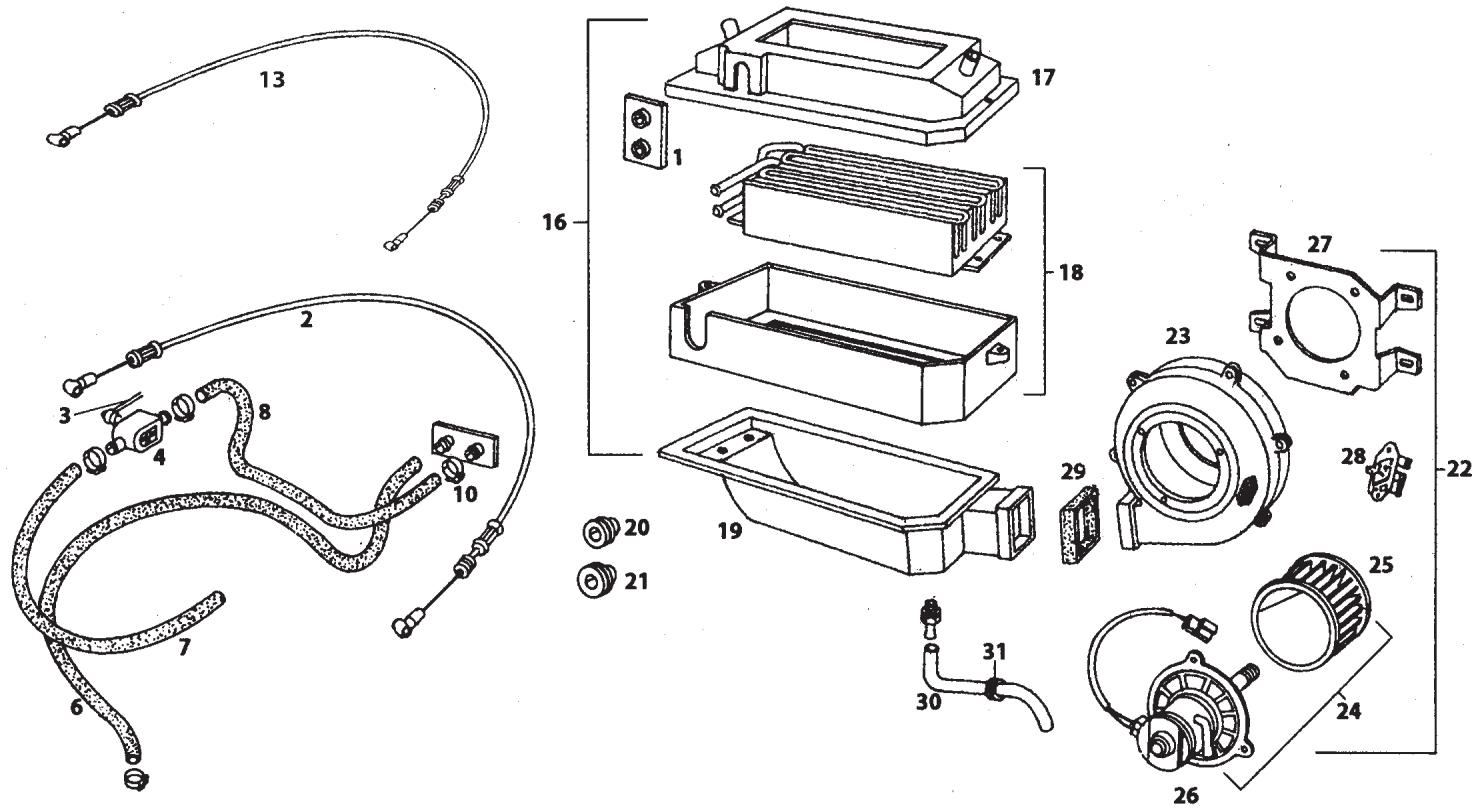


TABLE 83.1

HEATING AND DEMISTING

GROUP 83

FIG. NO.	PART NUMBER	DESCRIPTION	SINGLE CAB						CREW CAB						R/L	REMARKS	
			4 x 2			4 x 4			4 x 2			4 x 4					
			AC HD 1	AC HD 2	AC HD 3	HD 4	HD 5	AC HD 6	AC HD 7	AC HD 8	HD 9	AC HD 10	AC HD 11	AC HD 12			AC HD 13
		HEATING AND DEMISTING															
1	2654 8330 63 17	Cover (For Heater Cut Out)				1	1					1					1
2	2659 8330 01 64	Assy Push Pull Cable - Red				1	1					1					1
3	2654 8350 01 09	Assy Lever (N/D Type Water Valve)				1	1					1					1
4	2654 8350 01 08	Assy Water Valve-(5113600605)				1	1					1					1
6	2659 8350 58 09	Rubber Hose (Heater Outlet-Eng)				1	1					1					1
7	2654 8350 58 13	Rubber Hose (water Valve To Thermostat)				1	1					1					1
-	2654 8350 58 03	Rubber Tube (17 ID X 360)				1	1					1					1
-	2654 8350 58 14	Hose (For Water Valve To Heater)				1											
10	2654 8330 01 77	Hose Clamp-25				6	6					6					6
-	2659 8311 01 65	Assy Fresh Air Valve LHD(without Cable)				1	1					1					1
16	2659 8311 01 24	Assy Fresh Air Valve RHD(without Cable)				1											
13	2659 8330 01 11	Assy Push Pull Cable				1	1					1					1
---	2654 8310 63 19	Retainer (Ventilation Cable)				1	1					1					1
---	2658 8350 01 01	Kit Sub Heater (Aluminium Heater Coil)LHD				1	1					1					1
---	2658 8350 01 09	Kit Sub Heater (Aluminium Heater Coil) RHD				1											
16	2659 8350 01 13	Assy Heater Unit (Aluminium) Subros LHD				1	1					1					1
16	2659 8350 01 12	Assy Heater Unit (Aluminium) Subros RHD				1											
17	2654 8311 01 19	Assy Adaptor				1	1					1					1
18	2659 8350 01 15	Assy Coil Housing with Aluminium Heater				1	1					1					1

TABLE 83.1

HEATING AND DEMISTING

GROUP 83

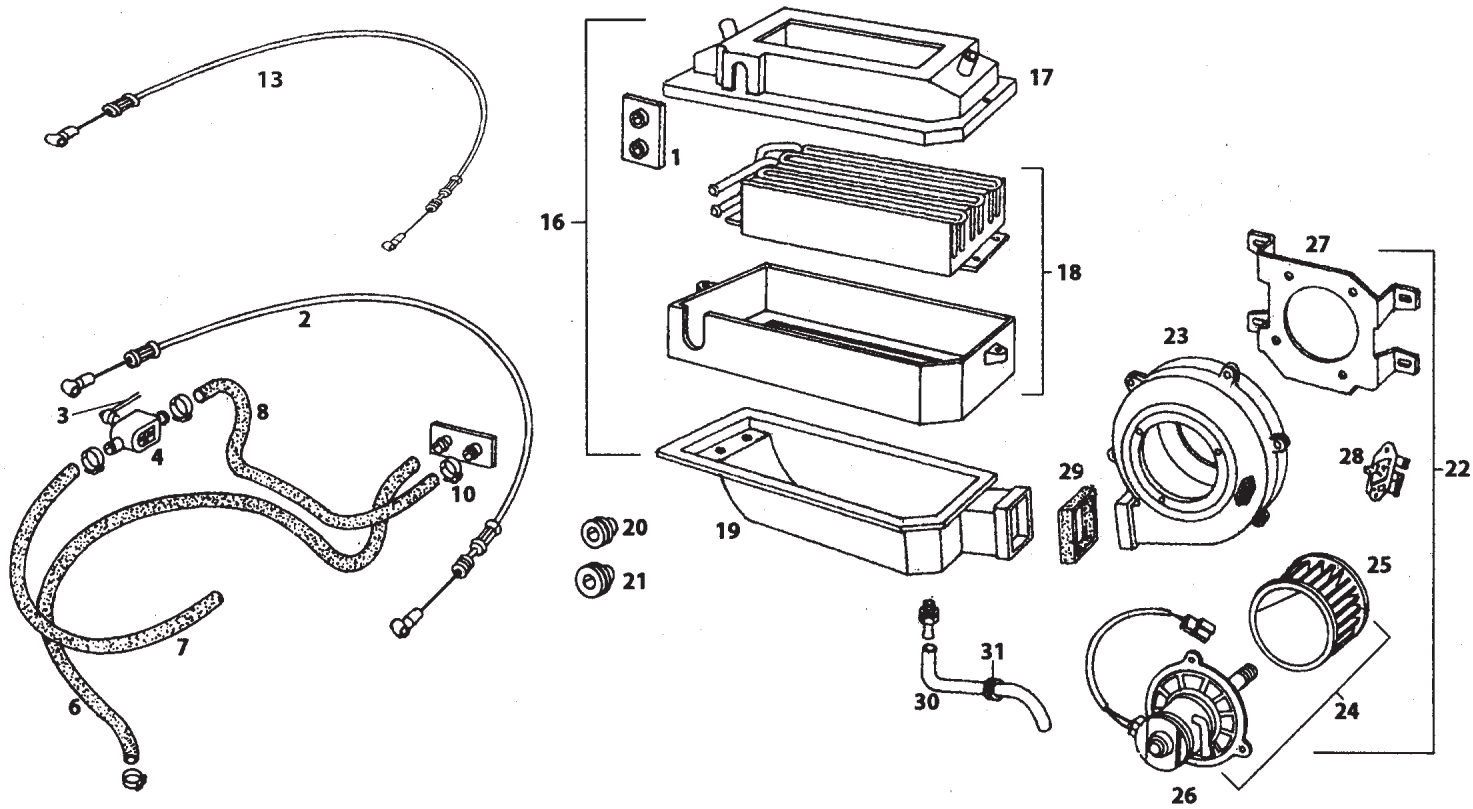


TABLE 83.1
HEATING AND DEMISTING
GROUP 83

FIG. NO.	PART NUMBER	DESCRIPTION	SINGLE CAB						CREW CAB						R/L	REMARKS	
			4 x 2			4 x 4			4 x 2			4 x 4					
			AC HD 1	AC HD 2	AC HD 3	HD 4	HD 5	AC HD 6	AC HD 7	AC HD 8	HD 9	AC HD 10	AC HD 11	AC HD 12			AC HD 13
19	2659 8312 01 92	Assy Air Duct -LHD (M/s Subros)				1	1								1	L	
19	2659 8312 01 90	Assy Air Duct -RHD (M/s Subros)				1										R	
20	2659 8311 63 18	Grommet.				1	1			1					1		
21	2659 8311 63 17	Grommet				1	1			1					1		
22	2658 8340 01 40	Assy Blower Complete (4 Pole Resistor).				1	1			1					1		
22	2658 8340 01 38	Assy Blower Complete (4 Pole Resistor)				1											
23	2651 8310 01 61	Assy Blower Housing - LHD				1	1			1					1	L	
23	2659 8311 01 60	Assy Blower Housing - RHD				1										R	
24	2654 5470 99 04	Fan Blower LHD-(Subros)				1	1			1					1	L	
24	2658 5470 99 11	Fan Blower RHD-(Sb 116221-0280)				1										R	
25	2658 5470 99 10	Blower Motor-(Sb-162500-557)				1	1			1					1		
27	2659 8313 01 62	Assy Bracket Blower Mounting-LHD				1	1			1					1	L	
27	2659 8313 01 61	Assy Bracket Blower Mounting-RHD				1										R	
28	2658 5470 99 01	Blower Resistor (Sb 146810)				1	1			1					1		
29	2659 8311 63 51	Pipe Grommet (Coil Housing)				1	1			1					1		
30	2659 8311 63 92	Drain Hose With Grommet				1	1			1					1		
31	2659 8310 63 50	Grommet (For Drain Tube)(Subros).				1	1			1					1		
-	2658 5461 01 93	Assy A/c Cable Set				1	1			1					1		
-	2658 5461 01 91	Assy A/c Cable Set (iv) Mssl-RHD Subros				1										R	

TABLE 83.2

AC + HEATING AND DEMISTING SYSTEM

GROUP 83

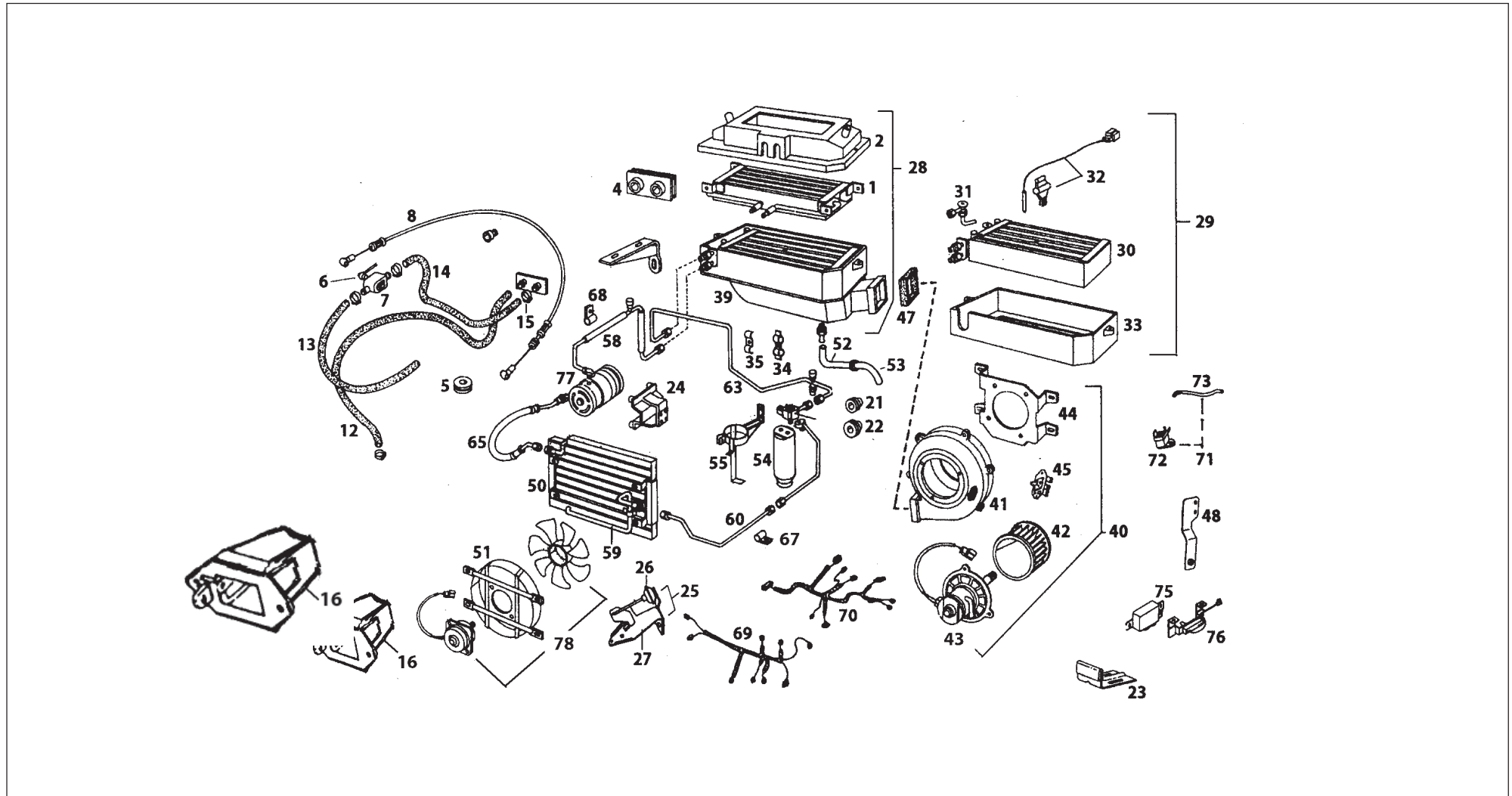


TABLE 83.2

AC + HEATING AND DEMISTING SYSTEM

GROUP 83

FIG. NO.	PART NUMBER	DESCRIPTION	SINGLE CAB					CREW CAB					R/L	REMARKS			
			4 x 2			4 x 4		4 x 2			4 x 4						
			AC HD 1	AC HD 2	AC HD 3	HD 4	HD 5	AC HD 6	AC HD 7	AC HD 8	HD 9	AC HD 10			AC HD 11	AC HD 12	AC HD 13
		AC + HEATING AND DEMISTING SYSTEM															
1	2833 8350 01 01	Assy Heater Coil	1	1	1					1	1				1		1
1	2654 8340 01 08	Assy Heater Coil (Teksons)										1			1		
2	2654 8311 01 08	Assy Adaptor (Suitable For Heater)	1	1	1					1	1				1		1
2	2659 8313 01 53	Assy Adaptor (Suitable For Heater)	1									1			1		
4	2654 8330 63 17	Cover (For Heater Cut Out)	1	1	1					1	1	1	1	1	1	1	
5	2654 8350 75 02	Rubber Grommet	1	1	1					1	1	1	1	1	1	1	
6	2654 8350 01 09	Assy Lever (n/d Type Water Valve)	1	1	1					1	1	1	1	1	1	1	
7	2654 8350 01 08	Assy Water Valve-(5113600605)	1	1	1					1	1	1	1	1	1	1	
8	2659 8330 01 80	Assy Push Pull Cable - White	1	1	1					1	1	1	1	1	1	1	
8	2659 8330 01 81	Assy Push Pull Cable (Aepl) White	1	1	1					1	1	1	1	1	1	1	
-	2659 8330 01 80	Assy Push Pull Cable.	1	1	1					1	1	1	1	1	1	1	
12	2654 8350 58 05	Rubber Hose (17 Id X L 950)	1	1	1					1	1	1	1	1	1	1	
13	2654 8350 58 13	Rubber Hose (water Valve To Thermostat)			1	1				1	1			1		1	R
13	2654 8350 58 08	Rubber Hose (Thermostat to Water Valve)	1	1	1					1	1	1	1	1	1	1	L
14	2654 8350 58 14	Hose (For Water Valve To Heater)	1	1	1					1	1			1		1	
14	2659 8350 58 05	Rubber Hose-(Water Valve To Htr Inlet)										1		1			L
--	2654 8350 58 05	Hose (17 ID Length = 1085)	1							1		1		1			L
15	2654 8330 01 77	Hose Clamp-25	6	6	6					6	6	6	6	6	6	6	
16	2659 8311 01 24	Assy Fresh Air Valve RHD(without Cable)		1	1					1	1			1		1	R

TABLE 83.2

AC + HEATING AND DEMISTING SYSTEM

GROUP 83

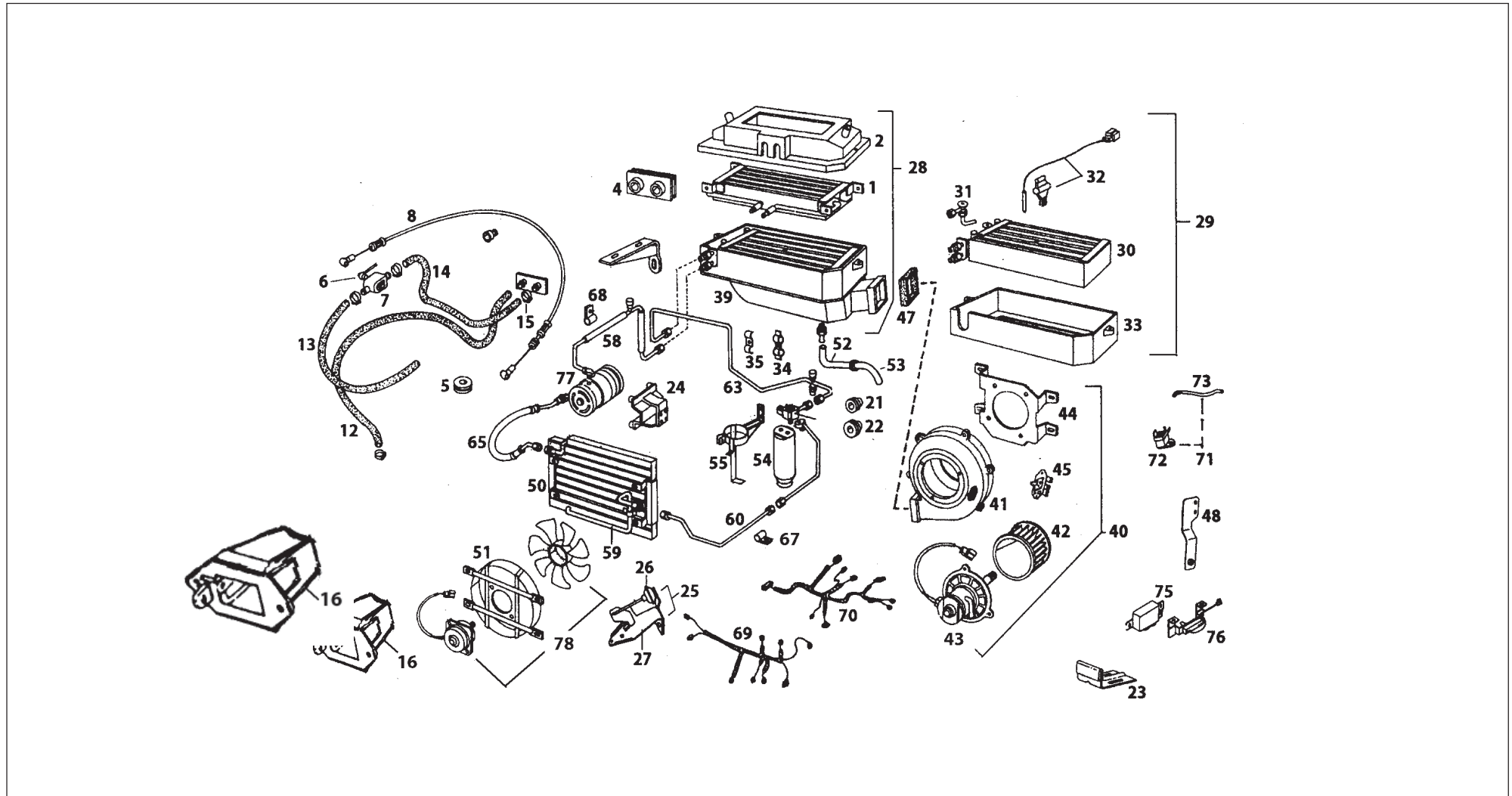


TABLE 83.2
AC + HEATING AND DEMISTING SYSTEM
GROUP 83

FIG. NO.	PART NUMBER	DESCRIPTION	SINGLE CAB						CREW CAB						R/L	REMARKS			
			4 x 2			4 x 4			4 x 2			4 x 4							
			AC HD 1	AC HD 2	AC HD 3	HD 4	HD 5	AC HD 6	AC HD 7	AC HD 8	HD 9	AC HD 10	AC HD 11	AC HD 12			AC HD 13	HD 14	
16	2659 8311 01 65	Assy Fresh Air Valve LHD(without Cable)	1	1	1			1	1	1			1		1			L	
-	000 997 34 81	Rubber Grommet..	1	1	1			1	1	1			1	1	1	1			
-	2651 8340 63 01	Grommet (For Ac Hoses)	1	1	1			1	1	1			1	1	1	1			
-	2658 5460 75 12	Rubber Grommet	1	1	1			1	1	1			1	1	1	1			
21	2659 8311 63 95	Grommet (Discharge Line)	1	1	1			1	1	1			1	1	1	1			
22	2659 8311 63 96	Grommet (Liquid Line)	1	1	1			1	1	1			1	1	1	1			
23	2654 8311 01 24	Assy Bracket AC Unit Support On Cross Member	1	1	1			1	1	1			1	1	1	1			
24	2547 2312 01 55	Assy Bracket (Subros)	1	1	1			1	1	1			1	1	1	1			
25	2547 2312 01 28	Assy FICD-complete (Subros)	1	1	1			1	1	1			1	1	1	1			
26	2547 2312 99 10	Actuator (FICD)-(Subros)	1	1	1			1	1	1			1	1	1	1			
27	2547 2312 33 01	Actuator Bracket (Subros)	1	1	1			1	1	1			1	1	1	1			
28	2654 8311 01 73	Assy Ac+Heater Unit		1	1			1	1				1		1			R	
28	2654 8311 01 80	Assy Ac+Heater Unit (Subros)	1	1	1			1	1	1			1		1			L	
29	2654 8312 01 75	Assy Coil Housing Complete		1	1			1	1				1		1			R	
29	2654 8312 01 82	Assy Coil Housing Complete	1	1	1			1	1	1			1		1			L	
30	2654 8312 01 76	Assy Evaporator - HFC-134a (Subros)	1	1	1			1	1	1			1	1	1	1			
31	2659 8312 01 69	Assy Thermo Expan Valve (HFC-134a)-Subros	1	1	1			1	1	1			1	1	1	1			
32	2658 5470 60 01	Thermister Assy(SB 077500-0710)	1	1	1			1	1	1			1	1	1	1			
33	2659 8311 01 57	Assy Coil Housing (AC)(FRP)-RHD (Sub)	1	1	1			1	1	1			1	1	1	1			
34	2659 8311 63 51	Pipe Grommet (Coil Housing)	1	1	1			1	1	1			1	1	1	1			

TABLE 83.2

AC + HEATING AND DEMISTING SYSTEM

GROUP 83

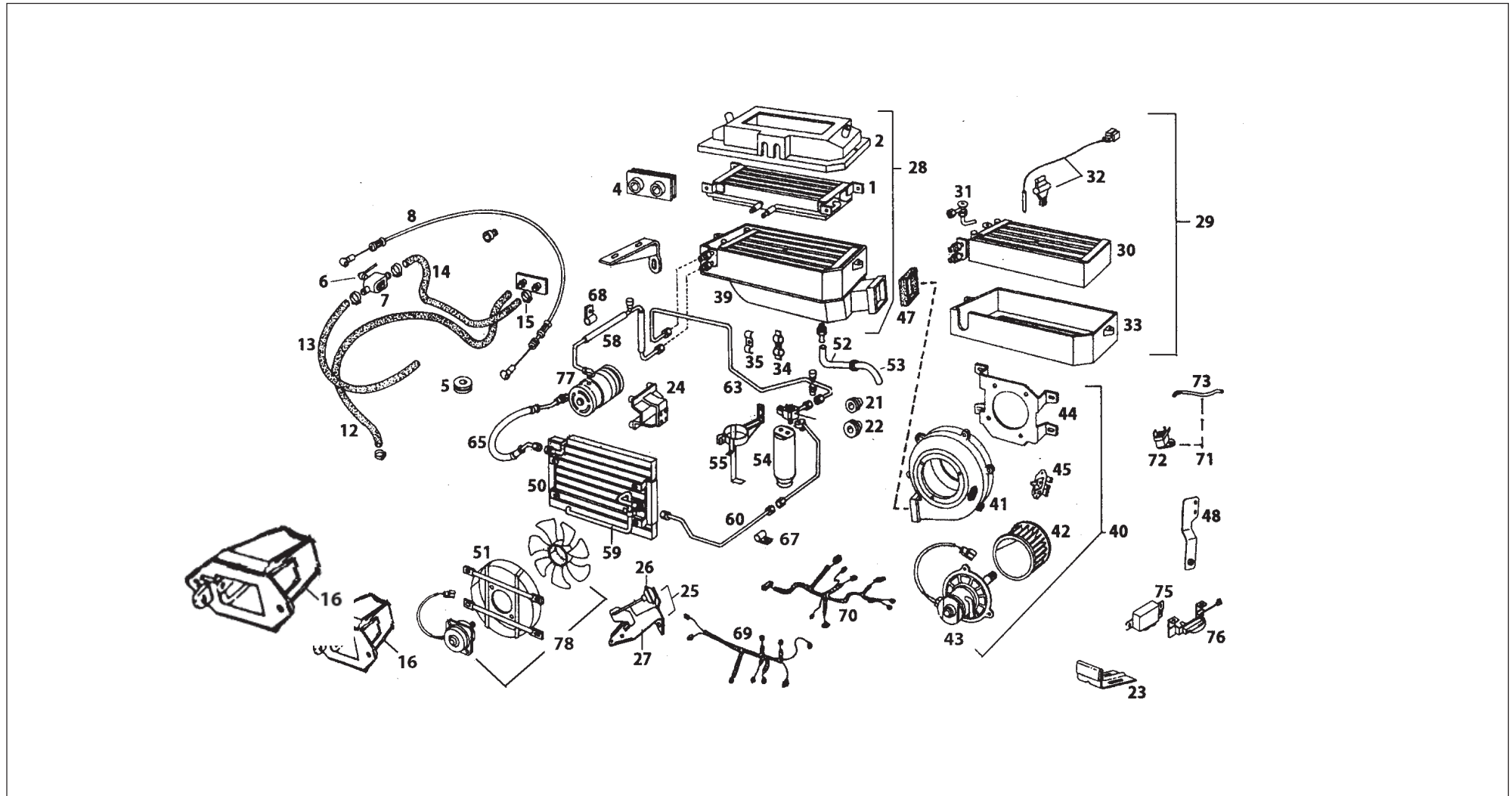


TABLE 83.2
AC + HEATING AND DEMISTING SYSTEM
GROUP 83

FIG. NO.	PART NUMBER	DESCRIPTION	SINGLE CAB						CREW CAB						R/L	REMARKS		
			4 x 2			4 x 4			4 x 2			4 x 4						
			AC HD 1	AC HD 2	AC HD 3	HD 4	HD 5	AC HD 6	AC HD 7	AC HD 8	HD 9	AC HD 10	AC HD 11	AC HD 12			AC HD 13	HD 14
35	2659 8310 82 62	Clamp (Evp Pipes)(Subros)	1	1	1			1	1	1			1	1	1	1		
-	2659 8311 01 07	Assy Air Duct-RHD			1	1				1	1			1		1		R
39	2659 8312 01 90	Assy Air Duct -RHD (M/s Subros)			1	1				1	1			1		1		R
39	2659 8312 01 92	Assy Air Duct -LHD (M/s Subros)	1	1	1			1	1	1			1		1			L
40	2658 8340 01 37	Assy Blower Complete (3 Pole Resistor) (Sub)-RHD			1	1				1	1			1		1		R
40	2658 8340 01 39	Assy Blower Complete (3 Pole Resistor) (Sub)-LHD	1	1	1			1	1	1			1		1			L
41	2659 8311 01 60	Assy Blower Housing - RHD			1	1				1	1			1		1		R
41	2651 8310 01 61	Assy Blower Housing - LHD	1	1	1			1	1	1			1		1			L
42	2658 5470 99 11	Fan Blower RHD-(Sb 116221-0280)			1	1				1	1			1		1		R
42	2654 5470 99 04	Fan Blower LHD-(Subros)	1	1	1			1	1	1			1		1			L
43	2658 5470 99 10	Blower Motor-(Sb-162500-557)	1	1	1			1	1	1			1	1	1	1		
44	2659 8313 01 61	Assy Bracket Blower Mounting-RHD			1	1				1	1			1		1		R
44	2659 8313 01 62	Assy Bracket Blower Mounting-LHD	1	1	1			1	1	1			1		1			L
45	2654 5470 99 06	Resistor With 3-pole Conn (M/s Subros)	1	1	1			1	1	1			1	1	1	1		
46	2658 5461 01 91	Assy A/c Cable Set (iv) MSSL-RHD Subros			1	1				1	1			1		1		R
46	2658 5461 01 93	Assy A/c Cable Set (iv) MSSL-LHD Subros	1	1	1			1	1	1			1		1			L
47	2654 8311 63 25	Sealing Gasket (Blower To Duct)	1	1	1			1	1	1			1	1	1	1		
48	2659 8312 01 59	Assy Bracket(Coil Housing To Duct Rear) LH RHD			1	1				1	1			1		1		R
48	2659 8312 01 62	Assy Bracket(Coil Housing To Duct Rear) RH LHD	1	1	1			1	1	1			1		1			L
-	2659 8310 82 84	Stay Bracket	1	1	1			1	1	1			1	1	1	1		

TABLE 83.2

AC + HEATING AND DEMISTING SYSTEM

GROUP 83

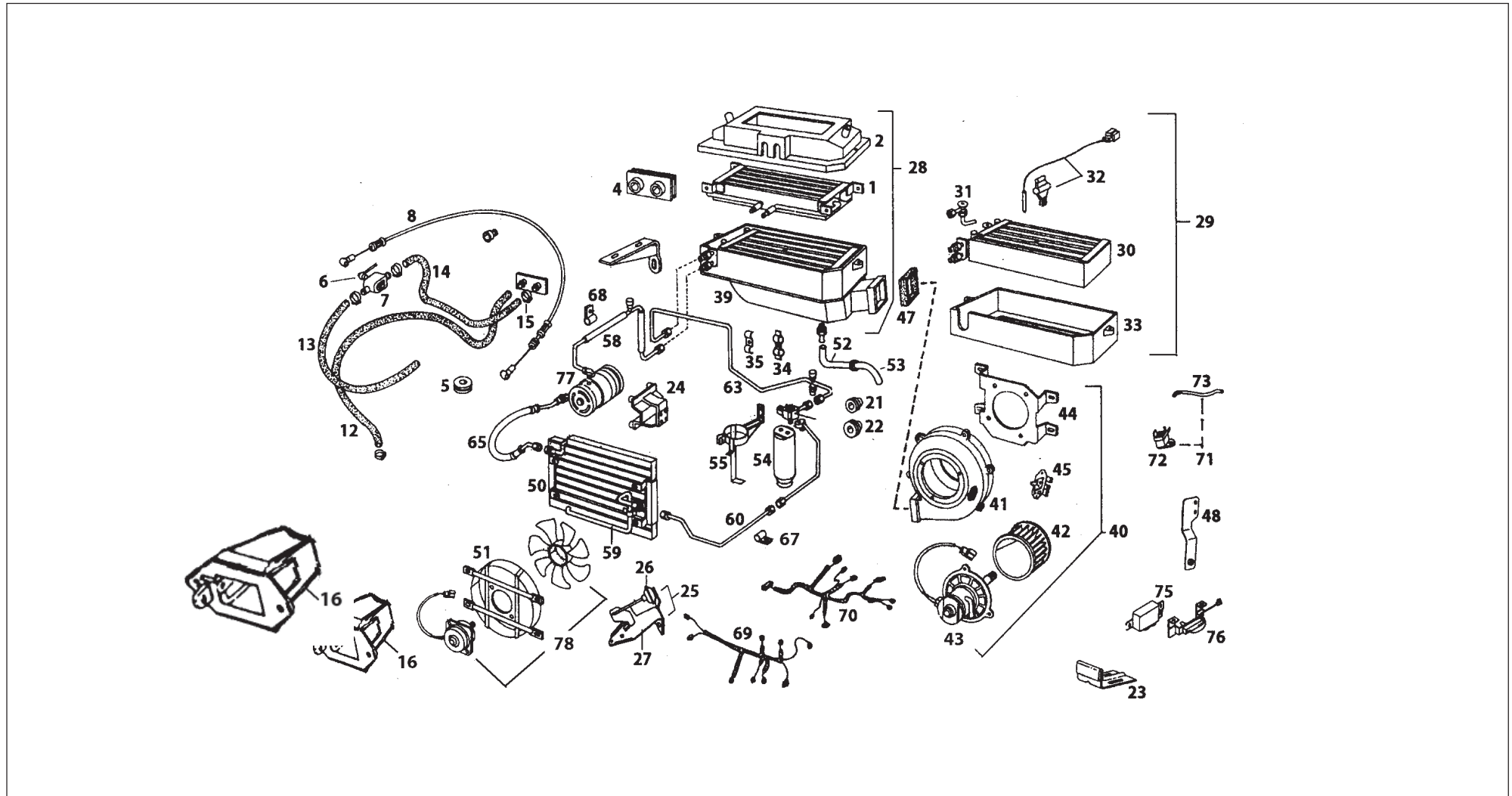


TABLE 83.2
AC + HEATING AND DEMISTING SYSTEM
GROUP 83

FIG. NO.	PART NUMBER	DESCRIPTION	SINGLE CAB							CREW CAB							R/L	REMARKS
			4 x 2				4 x 4			4 x 2				4 x 4				
			AC HD 1	AC HD 2	AC HD 3	HD 4	HD 5	AC HD 6	AC HD 7	AC HD 8	HD 9	AC HD 10	AC HD 11	AC HD 12	AC HD 13	HD 14		
50	2659 8340 01 39	Assy AC Condenser (HFC-134)-Subros			1						1		1	1	1	1		
50	2654 8311 01 69	Assy AC Condenser	1	1	1					1	1							
51	2659 8311 01 72	Assy Bracket-RH (For Indrad Fan On Subros)	1	1	1					1	1	1		1	1	1	1	
51	2659 8311 01 71	Assy Bracket-LH (For Indrad Fan On Subros)	1	1	1					1	1	1		1	1	1	1	
52	2659 8311 63 92	Drain Hose With Grommet	1	1	1					1	1	1		1	1	1	1	
53	2659 8310 63 50	Grommet (For Drain Tube)(Subros).	1	1	1					1	1	1		1	1	1	1	
54	2659 8312 01 70	Assy Tank R/drier HFC-134 (Subros)	1	1	1					1	1	1		1	1	1	1	
55	2659 8310 01 44	Assy Bracket(For Receiver Drier Mounting)(Subros)			1	1				1	1			1		1		R
55	2659 8340 01 14	Assy Bracket (For Receiver Drier Mounting)(Subros)	1	1	1					1	1	1		1		1		L
56	2659 8311 63 49	Grommet (Fire Wall To Ac Liq Pipe)(Subros)	1	1	1					1	1	1		1	1	1	1	
57	2659 8311 63 50	Grommet (Fire Wall To Ac Suc Pipe)(Subros)	1	1	1					1	1	1		1	1	1	1	
58	2654 8312 01 70	Assy Hose Suction			1	1				1	1			1		1		R
58	2659 8341 01 09	Assy Hose Suction (Subros).			1	1				1	1							L
58	2659 8341 01 23	Assy Hose Suction (Subros).	1									1		1				L
59	2659 8340 01 80	Assy Tube Liquid (Cond Outlet)-134a			1	1				1	1			1		1		R
59	2659 8341 01 04	Assy Tube Liquid (Cond Outlet)-134a	1	1	1					1	1	1		1		1		L
60	2659 8340 01 81	Assy Tube Liquid(Rd Inlet)- 134a			1	1				1	1			1		1		R
60	2659 8341 01 07	Assy Tube Liquid(Rd Inlet)- 134a	1	1	1					1	1	1		1		1		L
63	2659 8341 01 24	Assy Tube Lq (Rd Outlet-RHD)134a-(Subros).			1	1				1	1			1		1		R
63	2659 8341 01 05	Assy Tube Lq (Rd Outlet-LHD)134a-(Subros).	1	1	1					1	1	1		1		1		L

TABLE 83.2

AC + HEATING AND DEMISTING SYSTEM

GROUP 83

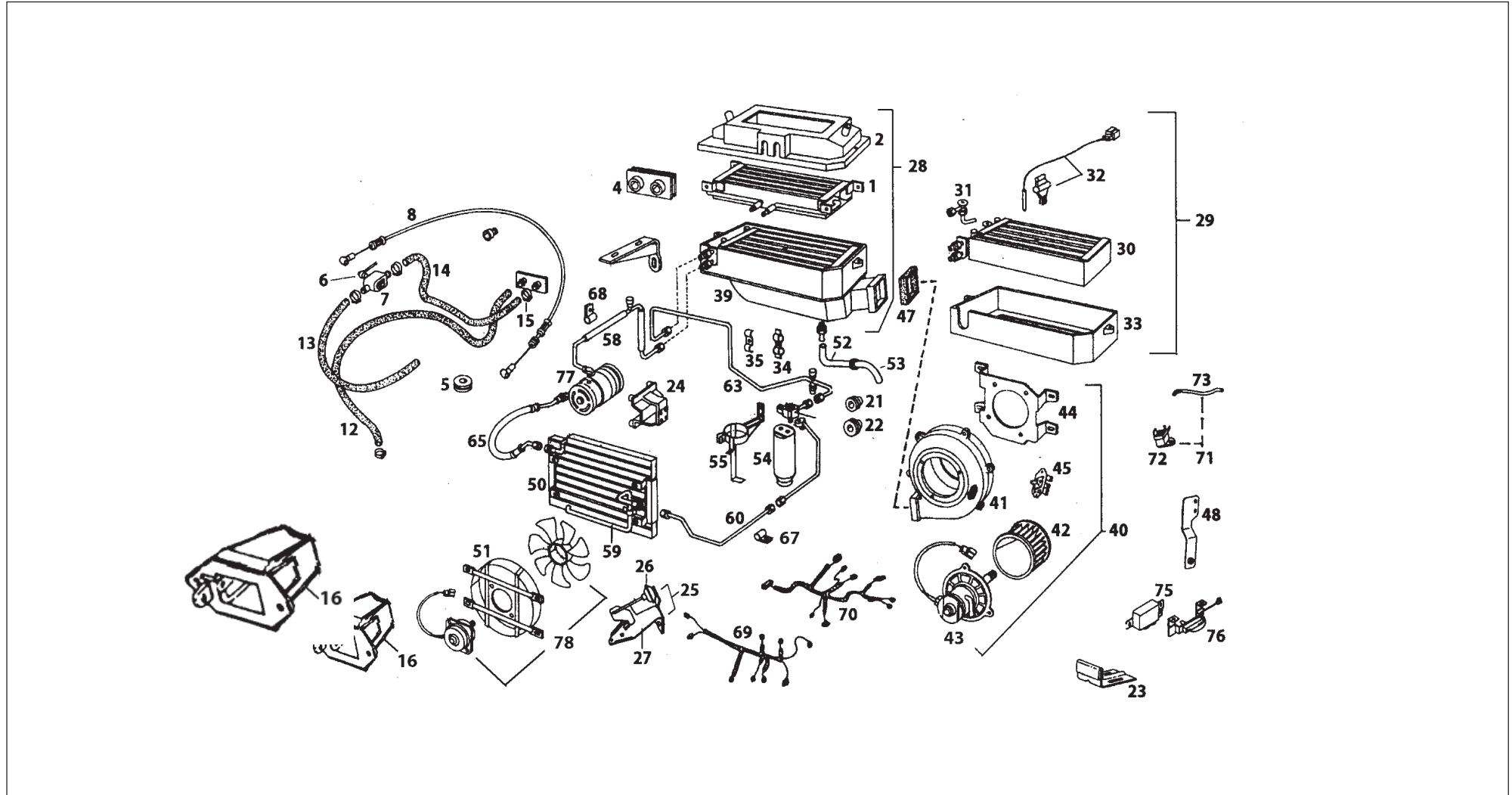


TABLE 83.2

AC + HEATING AND DEMISTING SYSTEM

GROUP 83

FIG. NO.	PART NUMBER	DESCRIPTION	SINGLE CAB						CREW CAB						R/L	REMARKS		
			4 x 2			4 x 4			4 x 2			4 x 4						
			AC HD 1	AC HD 2	AC HD 3	HD 4	HD 5	AC HD 6	AC HD 7	AC HD 8	HD 9	AC HD 10	AC HD 11	AC HD 12			AC HD 13	HD 14
-	2659 8310 82 99	Clamp (Rd Outlet) Subros	1	1	1			1	1	1			1	1	1	1		
-	2659 8310 82 97	Clamp (Rd Outlet) Subros	1	1	1			1	1	1			1		1			
65	2654 8311 01 71	Assy Hose Discharge		1	1			1	1				1		1			R
65	2659 8341 01 03	Assy Hose Discharge- 134a	1	1	1			1	1	1			1		1			L
-	2659 8341 01 08	Assy Tube Liquid (Condensor Coil Inlet)LHD	1	1	1			1	1	1			1		1			L
67	2699 8310 82 04	Clamp Tube Liquid	1	1	1			1	1	1			1	1	1	1		
68	2659 8310 82 60	Clamp (Hose Suction) (Subros)	1	1	1			1	1	1			1	1	1	1		
69	2658 5461 01 36	Assy A/c Cable Set-I	1	1	1			1	1	1			1	1	1	1		
70	2654 5461 01 57	Assy A/c Cable Set-II	1	1	1			1	1	1			1	1	1	1		
71	2659 8310 01 45	Assy Vacuum Solenoid Valve	1	1	1			1	1	1			1	1	1	1		
72	2658 5470 49 02	Vacuum Solenoid Valve With Mounting Bracket	1	1	1			1	1	1			1	1	1	1		
73	2659 8310 58 08	Vacuum Hose	1	1	1			1	1	1			1	1	1	1		
-	2659 8310 42 01	Clamp (Vacuum Hose)	4	4	4			4	4	4			4	4	4	4		
75	2654 5470 01 29	Assy Thermoamp W/pot and Mounting Bracket (M/Subros)	1	1	1			1	1	1			1	1	1	1		
76	2654 8330 01 96	Assy Potentiometer - Subros	1	1	1			1	1	1			1	1	1	1		
77	2547 2312 02 50	Assy. A/c Compressor {10S11} (Subros)	1	1	1			1	1	1			1	1	1	1		
78	2659 5470 01 42	Assy.Cond.Fan Unit [Larger]-120W-Indrad	1	1	1			1	1	1			1	1	1	1		
---	2547 2312 02 52	Bracket-Ac Compressor Mtg.	1	1	1			1	1	1			1	1	1	1		

TABLE 83.3

VENTILATION AND CONTROL

GROUP 83

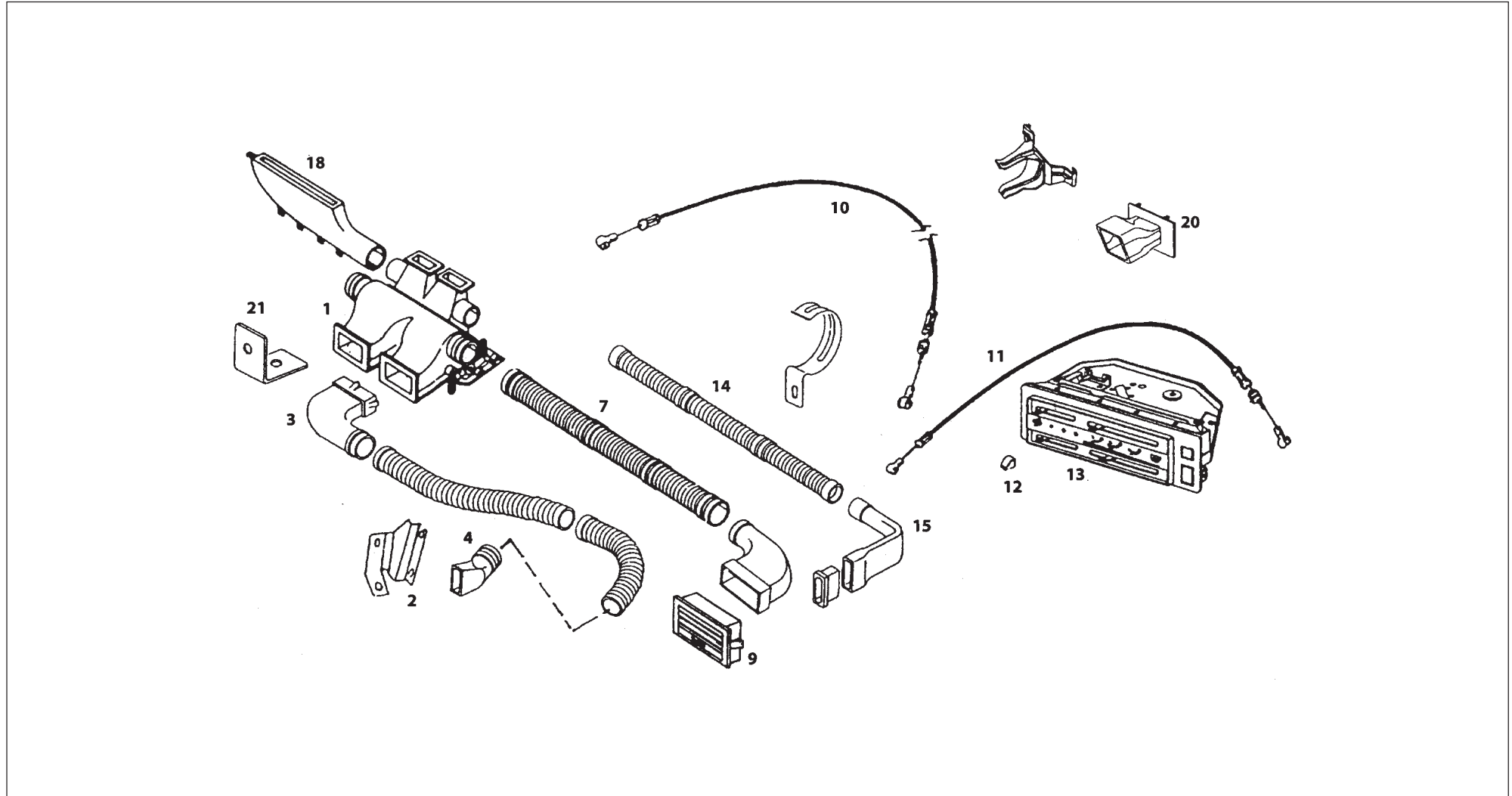


TABLE 83.3

VENTILATION AND CONTROL

GROUP 83

FIG. NO.	PART NUMBER	DESCRIPTION	SINGLE CAB							CREW CAB							R/L	REMARKS	
			4 x 2				4 x 4			4 x 2				4 x 4					
			AC HD 1	AC HD 2	AC HD 3	HD 4	HD 5	AC HD 6	AC HD 7	AC HD 8	HD 9	AC HD 10	AC HD 11	AC HD 12	AC HD 13	HD 14			
		VENTILATION AND CONTROL																	
1	2654 8311 01 27	Assy Plenum Chamber-(5p)	1	1	1	1	1	1	1	1	1	1	1	1	1				
1	2654 8311 01 09	Assy Plenum Chamber-(5p) LHD				1	1					1						L	
2	2654 8310 33 07	Mounting Bracket Plenum Chamber LH	1	1	1	1	1	1	1	1	1	1	1	1	1				
2	2654 8310 33 08	Mounting Bracket Plenum Chamber RH	1	1	1	1	1	1	1	1	1	1	1	1	1				
3	2654 8310 63 88	Leg Vent Nozzle -RH	1	1	1	1	1	1	1	1	1	1	1	1	1			R	
3	2654 8310 63 89	Leg Vent Nozzle -LH	8	8	8	8	8	8	8	8	8	8	8	8	8			R	
4	2654 8310 63 50	Diffuser (Leg Room Ventilation)	2	2	2	2	2	2	2	2	2	2	2	2	2				
7	2654 8310 63 34	Hose (Ventilation)	2	2	2	2	2	2	2	2	2	2	2	2	2			R	
9	2654 8330 01 90	Assy Ventilation Nozzle	4	4	4	4	4	2	2	4	4	4	4	2	2	4			
10	2659 8330 01 61	Assy Push Pull Cable.	1	1	1	1	1	1	1	1	1	1	1	1	1			R	
10	2659 8330 01 73	Assy Push Pull Cable Sky Blue LHD	1	1	1	1	1				1	1	1					L	
10	2659 8330 01 69	Assy Push Pull Cable. Pink							1	1				1	1	1		R	Optional
10	2659 8330 01 80	Assy Push Pull Cable Red							1	1				1	1	1		R	Optional
10	2659 8330 01 81	Assy Push Pull Cable White							1	1				1	1	1		R	Optional
11	2659 8330 01 11	Assy Push Pull Cable Green, Fresh Air Valve	1	1	1				1	1	1		1	1	1				
12	2659 8330 63 38	Control Knob	4	4	4	4	4	4	4	4	4	4	4	4	4				
13	2654 6891 01 46	Assy Control Bracket Complete (AC+ Heating)	1	1	1						1		1					L	
13	2659 6890 01 51	Assy Control Bracket Complete (AC+ Heating)	1	1	1				1	1	1		1	1	1			R	
13	2659 6890 01 50	Assy Control Bracket Complete Heating.	1	1	1	1	1	1	1	1	1	1		1	1	1			

TABLE 83.3

VENTILATION AND CONTROL

GROUP 83

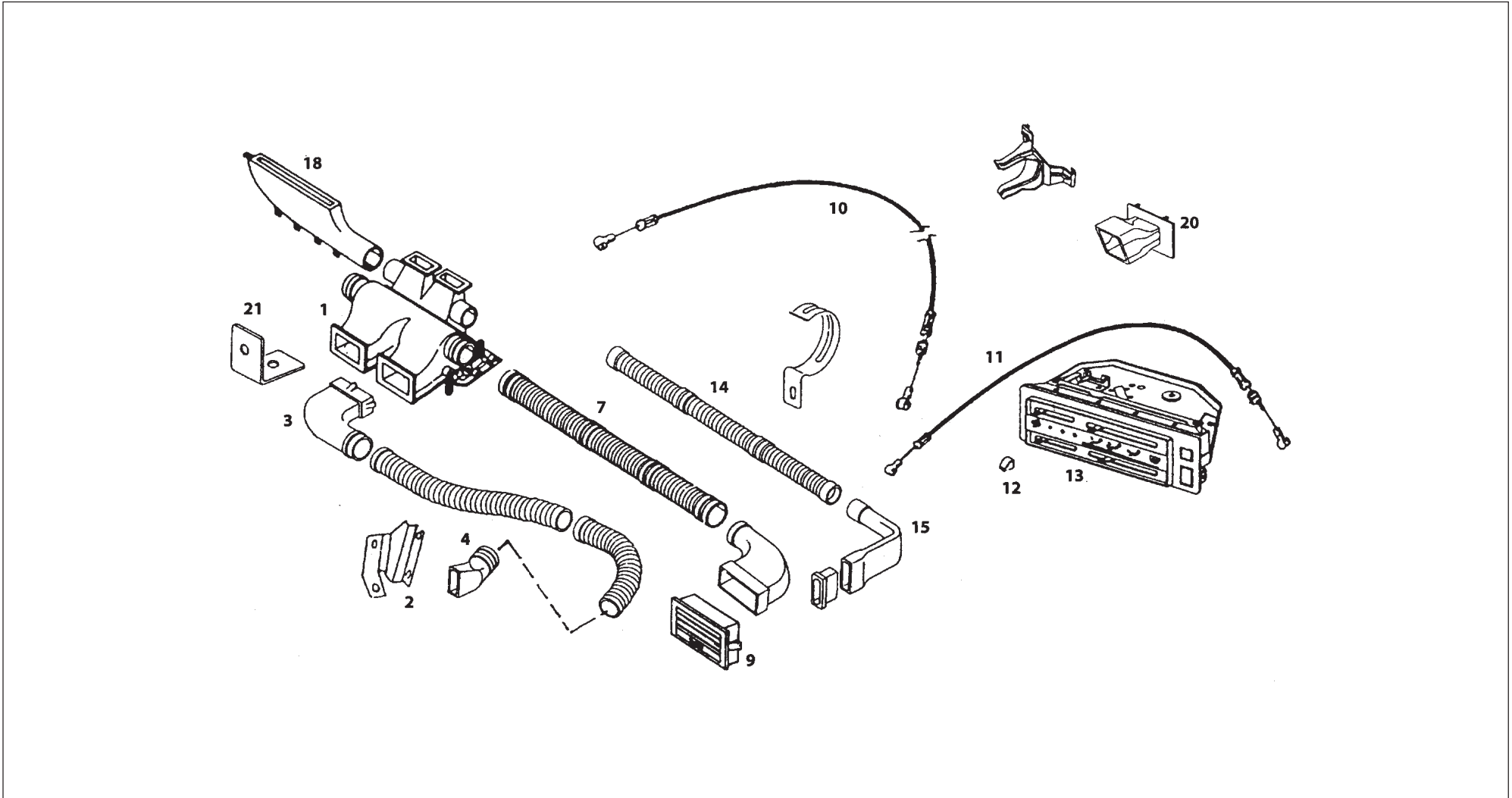


TABLE 83.3

VENTILATION AND CONTROL

GROUP 83

FIG. NO.	PART NUMBER	DESCRIPTION	SINGLE CAB						CREW CAB						R/L	REMARKS	
			4 x 2				4 x 4		4 x 2				4 x 4				
			AC HD 1	AC HD 2	AC HD 3	HD 4	HD 5	AC HD 6	AC HD 7	AC HD 8	HD 9	AC HD 10	AC HD 11	AC HD 12			AC HD 13
14	2659 8311 63 84	Hose Window Demist	2	2	2	2	2	2	2	2	2	2	2	2	2		
15	2654 8311 63 26	Duct For Window Demist	2	2	2	2	2	2	2	2	2	2	2	2	2		
18	2654 8370 01 07	Assy Defrost Nozzle LH	1	1	1	1	1	1	1	1	1	1	1	1	1		
18	2654 8370 01 08	Assy Defrost Nozzle RH	1	1	1	1	1	1	1	1	1	1	1	1	1		
20	2659 8311 63 98	Connector RH (Plenum Chamber To Vent)	1	1	1	1	1	1	1	1	1	1	1	1	1		
20	2659 8312 63 08	Connector LH (Plenum Chamber To Vent)	1	1	1	1	1	1	1	1	1	1	1	1	1		
21	2654 8310 82 21	Clip (Leg Vent Mounting To Assy Plenum)	4	4	4	4	4	4	4	4	4	4	4	4	4		

TABLE 88.1

BONNET

GROUP 88

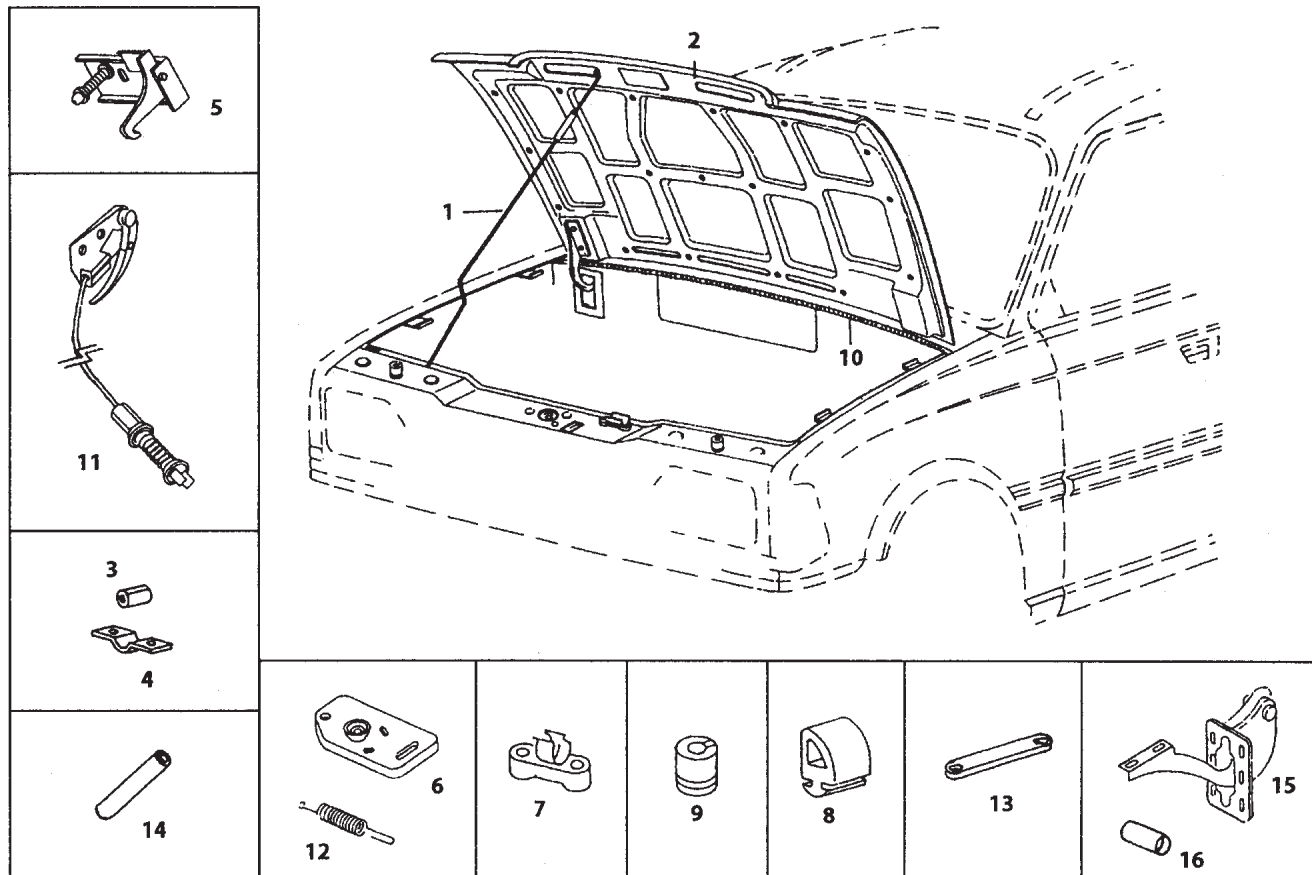


TABLE 88.1
BONNET
GROUP 88

FIG. NO.	PART NUMBER	DESCRIPTION	SINGLE CAB												R/L	REMARKS			
			4 x 2					4 x 4		CREW CAB									
			AC HD 1	AC HD 2	AC HD 3	HD 4	HD 5	AC HD 6	AC HD 7	AC HD 8	HD 9	AC HD 10	AC HD 11	AC HD 12			AC HD 13	HD 14	
		BONNET																	
1	2832 8870 01 01	Stay Rod (Bonnet)	1	1	1	1	1	1	1	1	1	1	1	1	1	1			
2	2658 8870 01 01	Assy. Centre Bonnet	1	1	1	1	1	1	1	1	1	1	1	1	1	1			
3	2654 8870 34 01	Bush (Stay Rod)	1	1	1	1	1	1	1	1	1	1	1	1	1	1			
4	2654 8870 82 20	Bracket Bonnet Stay Rod	1	1	1	1	1	1	1	1	1	1	1	1	1	1			
5	2654 8870 01 33	Assy. Bonnet Lock (Bonnet Side)	1	1	1	1	1	1	1	1	1	1	1	1	1	1			Optional
5	2654 8870 01 43	Assy. Bonnet Lock	1	1	1	1	1	1	1	1	1	1	1	1	1	1			Optional
6	2654 8870 01 29	Assy. Bracket Bottom Bonnet Lock	1	1	1	1	1	1	1	1	1	1	1	1	1	1			
7	2654 8870 42 02	Clamp Bonnet Stay Rod	1	1	1	1	1	1	1	1	1	1	1	1	1	1			
8	2654 8870 63 11	Rubber Buffer	2	2	2	2	2	2	2	2	2	2	2	2	2	2			
9	2654 8870 63 10	Rubber Buffer	2	2	2	2	2	2	2	2	2	2	2	2	2	2			
10	2654 8870 63 04	Sealing Bonnet (W/S Side)	1	1	1	1	1	1	1	1	1	1	1	1	1	1			
11	2654 8870 01 50	Assy. Release Cable Complete	1	1	1	1	1	1	1	1	1	1	1	1	1	1			Optional
11	2654 8870 01 47	Assy. Release Cable Complete	1	1	1	1	1	1	1	1	1	1	1	1	1	1			Optional
12	2654 8870 87 02	Tension Spring (Bonnet Lock Return)	1	1	1	1	1	1	1	1	1	1	1	1	1	1			
13	2654 8870 82 36	Link Bonnet Lock	1	1	1	1	1	1	1	1	1	1	1	1	1	1			
14	2654 8870 69 01	Tube (Stay Rod)	1	1	1	1	1	1	1	1	1	1	1	1	1	1			
15	2654 8870 01 01	Assy. Bonnet Hinge LH	1	1	1	1	1	1	1	1	1	1	1	1	1	1			
(15)	2654 8870 01 02	Assy. Bonnet Hinge RH	1	1	1	1	1	1	1	1	1	1	1	1	1	1			
16	2654 8870 34 02	Bush (Bonnet Hinge)	4	4	4	4	4	4	4	4	4	4	4	4	4	4			

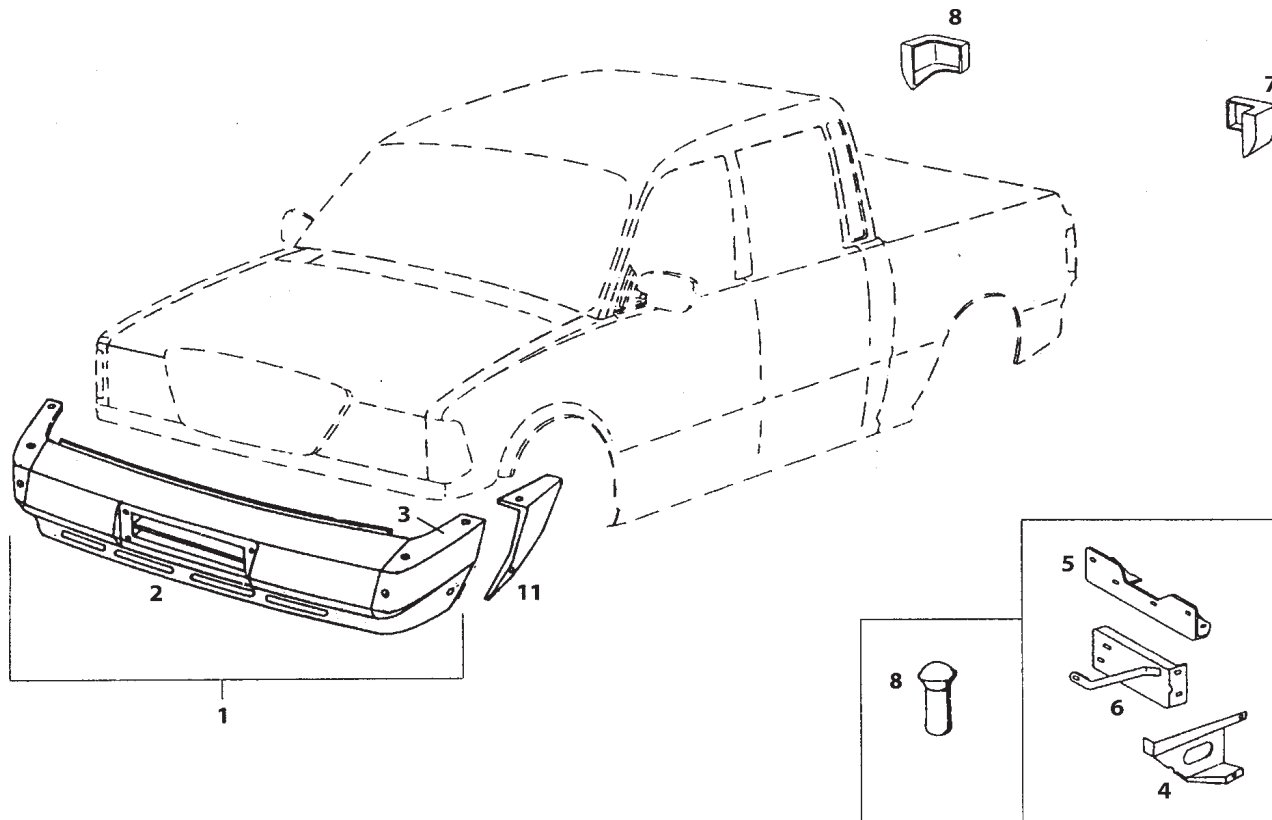


TABLE 89.1

BODY MOUNTING

GROUP 89

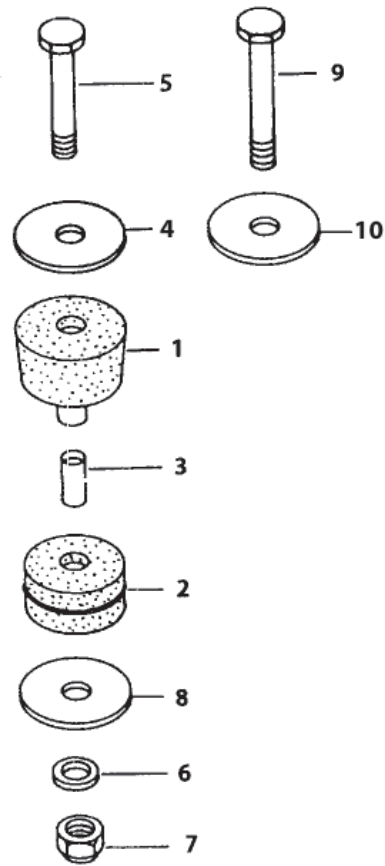


TABLE 89.1

BODY MOUNTING

GROUP 89

FIG. NO.	PART NUMBER	DESCRIPTION	SINGLE CAB						CREW CAB						R/L	REMARKS		
			4 x 2			4 x 4			4 x 2			4 x 4						
			AC HD 1	AC HD 2	AC HD 3	HD 4	HD 5	AC HD 6	AC HD 7	AC HD 8	HD 9	AC HD 10	AC HD 11	AC HD 12			AC HD 13	HD 14
--	2832 8910 01 02	BODY MOUNTING Kit for Rubber Mounting (Consists of 1+2+3)	1	1	1	1	1	1	1	1	1	1	1	1	1			
1		Assy. Rubber Mounting (Top)	6	6	6	6	8	8	8	6	6	6	6	8	8	8		
2		Rubber Mounting (Bottom)	6	6	6	6	8	8	8	6	6	6	6	8	8	8		
3		Spacer Tube	6	6	6	6	8	8	8	6	6	6	6	8	8	8		
4	2654 7080 92 03	Washer Top	6	6	6	6	8	8	8	6	6	6	6	8	8	8		
6	1246 050130 8	Bright Washer 13	6	6	6	6	8	8	8	6	6	6	6	8	8	8		
7	1214 050120 2	Nylon Nut M 12	6	6	6	6	8	8	8	6	6	6	6	8	8	8		
8	2654 8910 92 01	Washer	6	6	6	6	8	8	8	6	6	6	6	8	8	8		
5	1106 389606 5	Hex. Bolt M 12x95	2	2	2	2	2	2	2	2	2	2	2	2	2	2		
9	1106 389632 4	Hex. Bolt M 12x125	4	4	4	4	6	6	6	4	4	4	4	6	6	6		
10	2654 8910 92 01	Washer	10	10	10	10	12	12	12	10	10	10	10	12	12	12		

TABLE 91.1

SEATS AND SEAT BELTS

GROUP 91

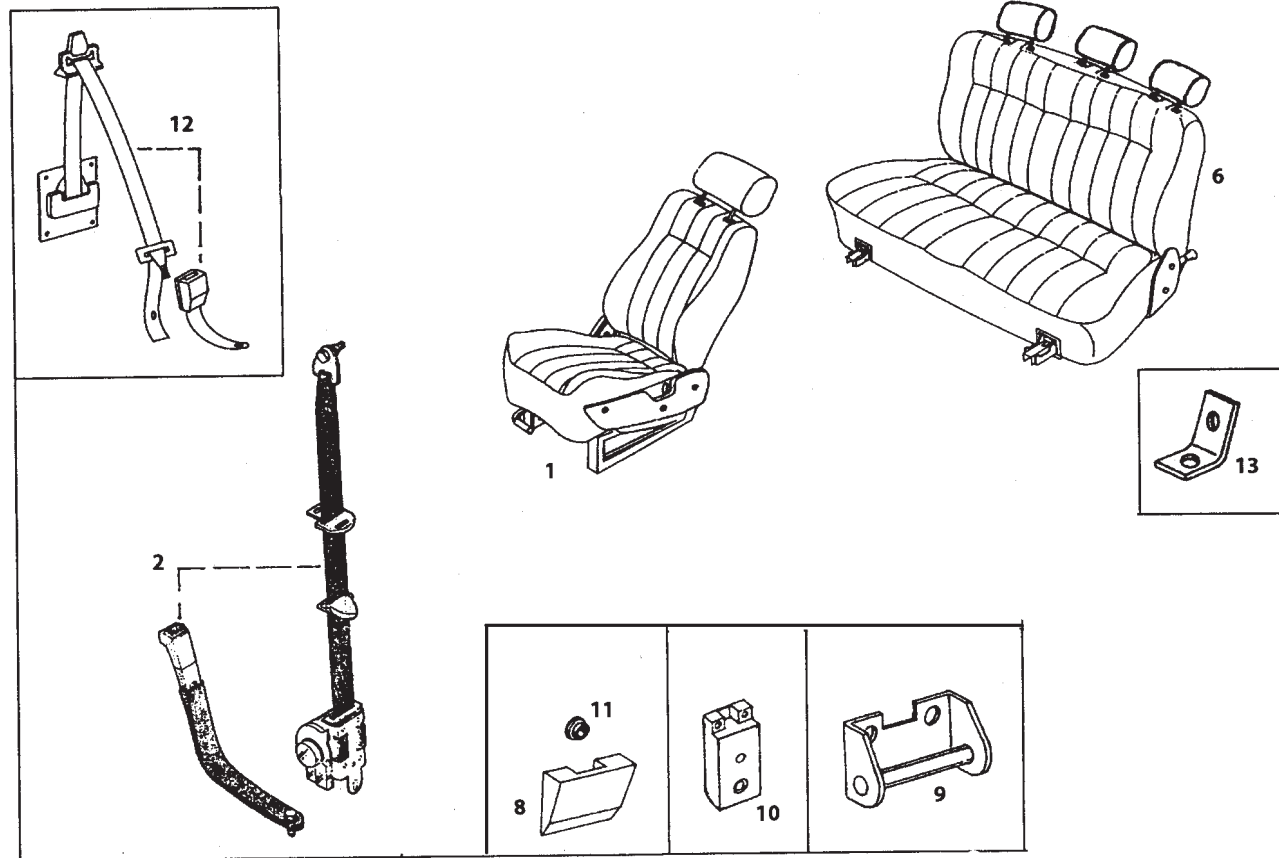


TABLE 91.1

SEATS AND SEAT BELTS

GROUP 91

FIG. NO.	PART NUMBER	DESCRIPTION	SINGLE CAB						CREW CAB						R/L	REMARKS
			4 x 2				4 x 4		4 x 2			4 x 4				
			AC HD 1	AC HD 2	AC HD 3	HD 4	HD 5	AC HD 6	AC HD 7	AC HD 8	HD 9	AC HD 10	AC HD 11	AC HD 12		
SEATS AND SEAT BELTS																
1	2701 9100 01 37	Assy Front Seat Complete LH	1	1	1	1	1	1	1	1	1	1	1	1	1	
1	2701 9100 01 48	Assy Front Seat Complete RH		1	1	1	1			1	1	1	1			
1	2721 9100 01 05	Assy Front Seat Complete RH					1	1	1				1	1	1	
2	2659 9150 01 31	Assy Seat Belt Complete	1	1	1	1	1	1		1	1	1	1	1	1	
6	2701 9300 01 17	Assy. Rear seat							1	1	1	1	1	1	1	
8	2654 9150 63 03	Cover (Dark Grey) Seat Belt Mtg. Bracket	2	2	2	2	2	2	2	2	2	2	2	2	2	
9	2658 9150 01 03	Assy Bracket	2	2	2	2	2	2	2	2	2	2	2	2	2	
10	2654 8111 63 09	Cover (For ELR Cover)Dark Grey	2	2	2	2	2	2					2	2	2	
10	2701 8110 63 12	Cover (For ELR Cover)Dark Grey								2	2	2	2			
11	2654 9150 34 01	Bush	2	2	2	2	2	2	2	2	2	2	2	2	2	
12	2701 9350 01 16	Assy Seat Belt Kit Complete.(Rear seat)							2	2	2	2	2	2	2	
13	2659 9150 01 07	Assy Bracket Bottom (Seat Belt)	2	2	2	2	2	2					2	2	2	