

# VW Golf III & Vento 1992 to 1996 wiring diagrams

## Key to circuits

***Diagram 1*** Information for wiring diagrams

***Diagram 2*** Typical starting and charging

***Diagram 3*** Typical warning lights and gauges

***Diagram 4*** Typical interior and exterior lighting

***Diagram 5*** Typical exterior lighting continued

***Diagram 6*** Typical exterior lighting and heated rear window

***Diagram 7*** Typical front and rear wash/wipe

***Diagram 8*** Typical radio/cassette and central locking

***Diagram 9*** Typical electric mirrors and sunroof

***Diagram 10*** Electric window

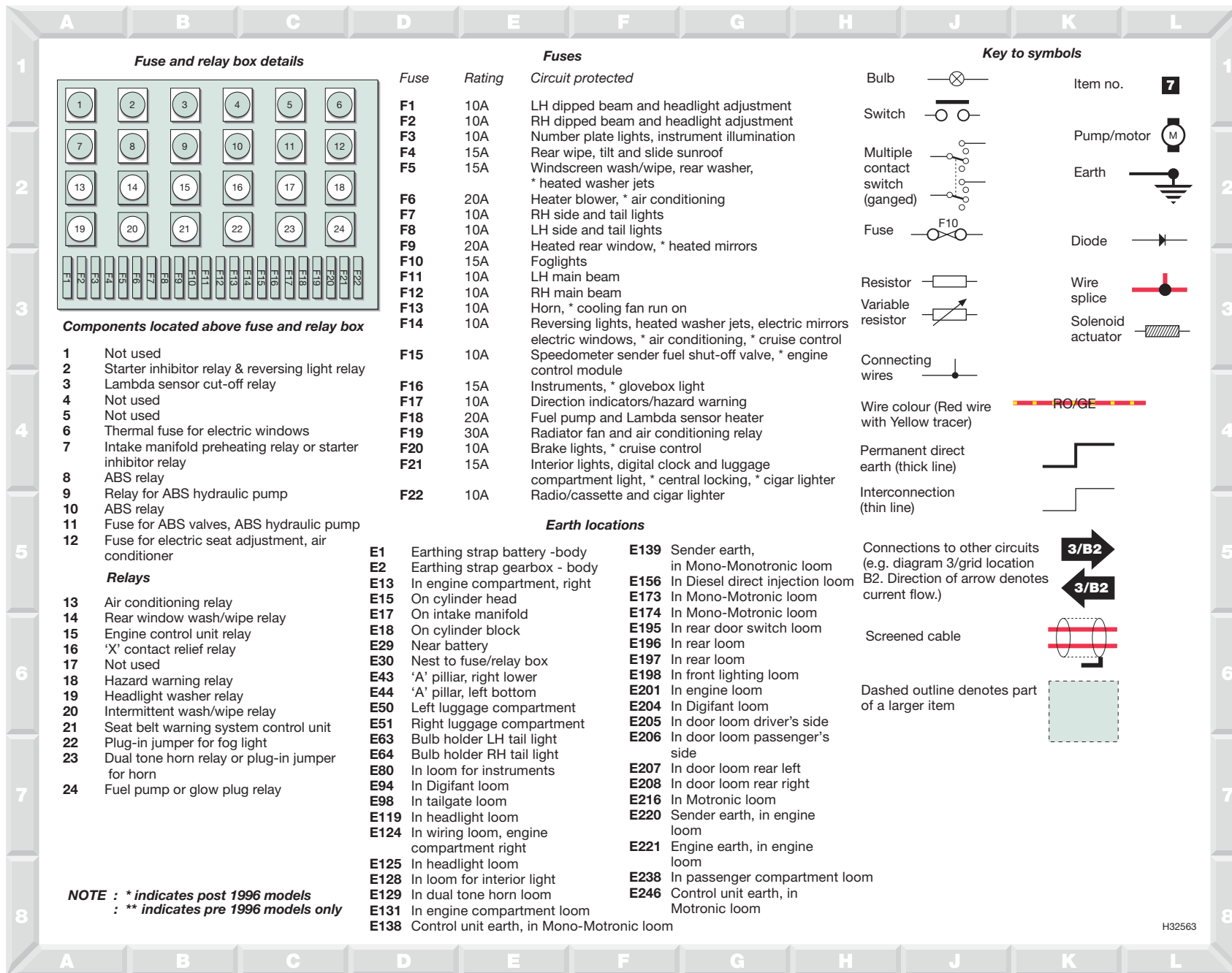
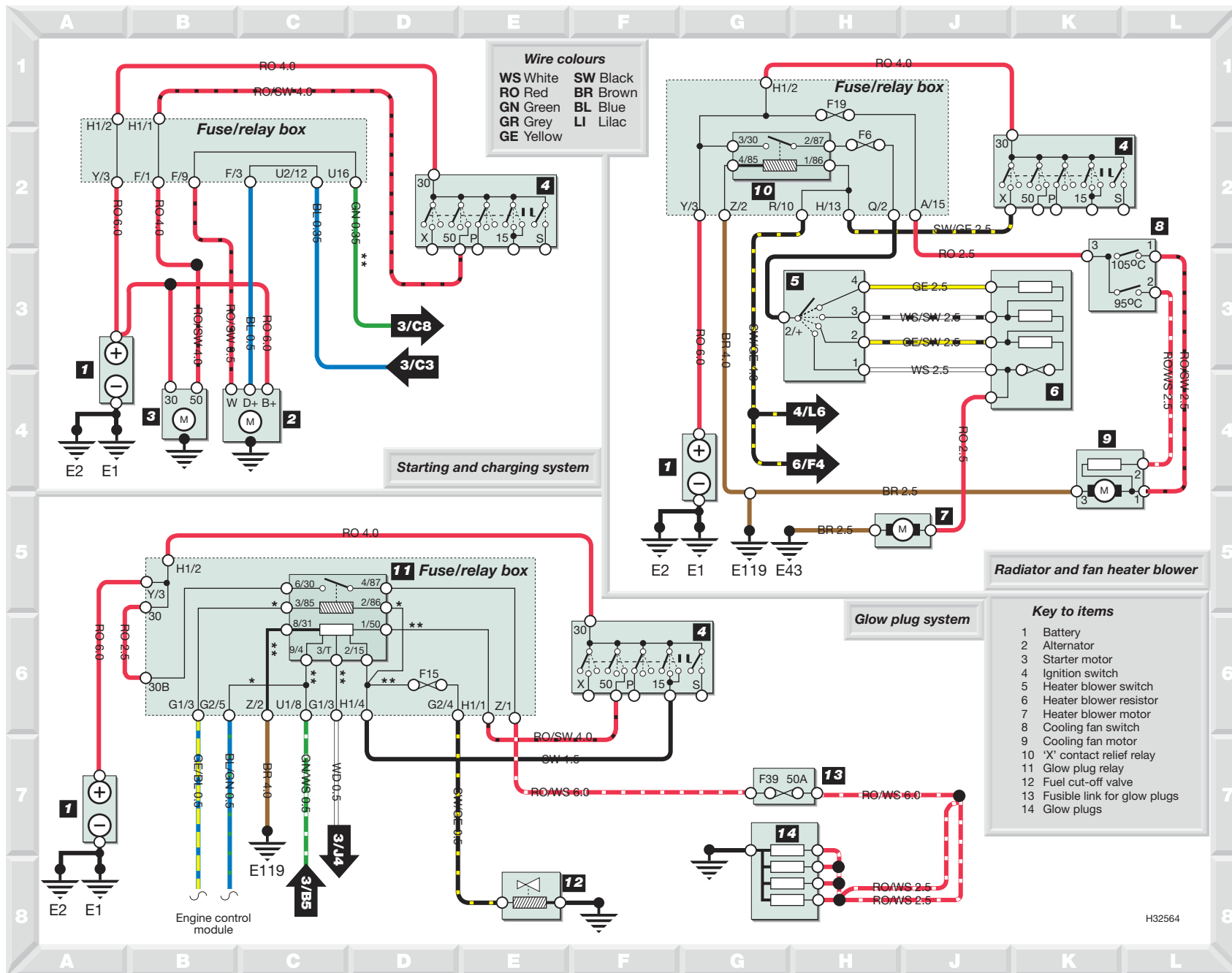


Diagram 1 : Information for wiring diagrams



H32564

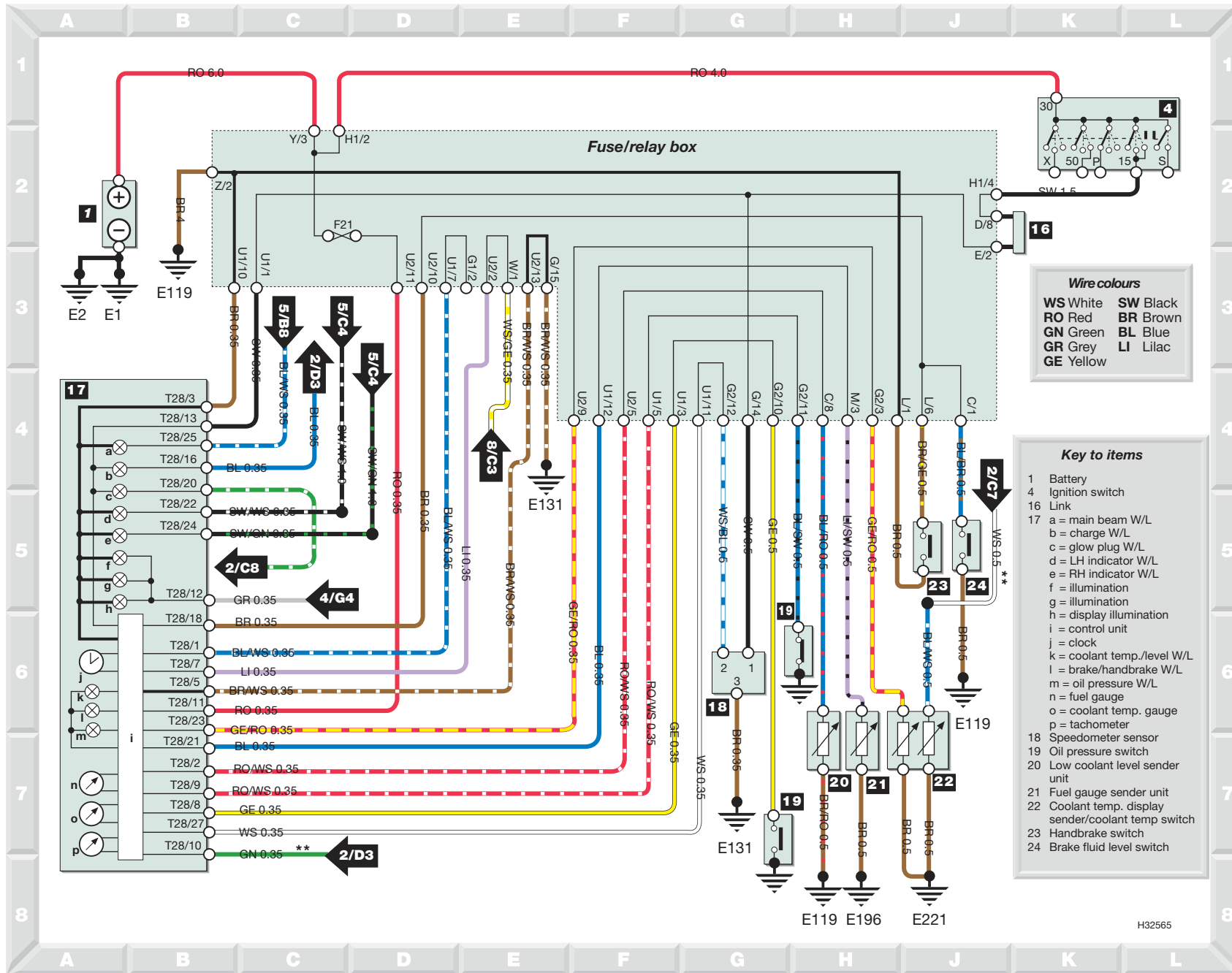


Diagram 3 : Typical warning lights and gauges

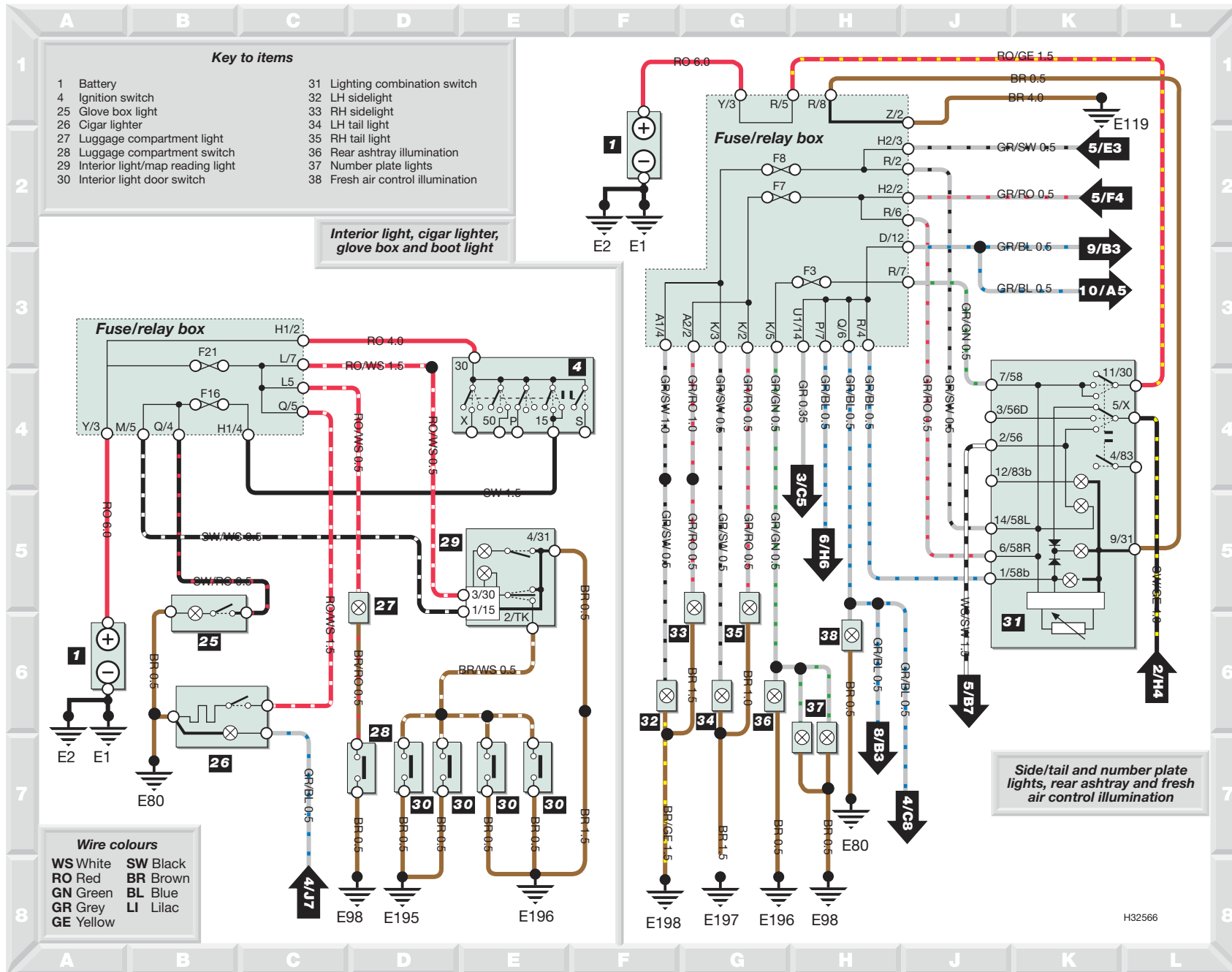


Diagram 4 : Typical interior and exterior lighting

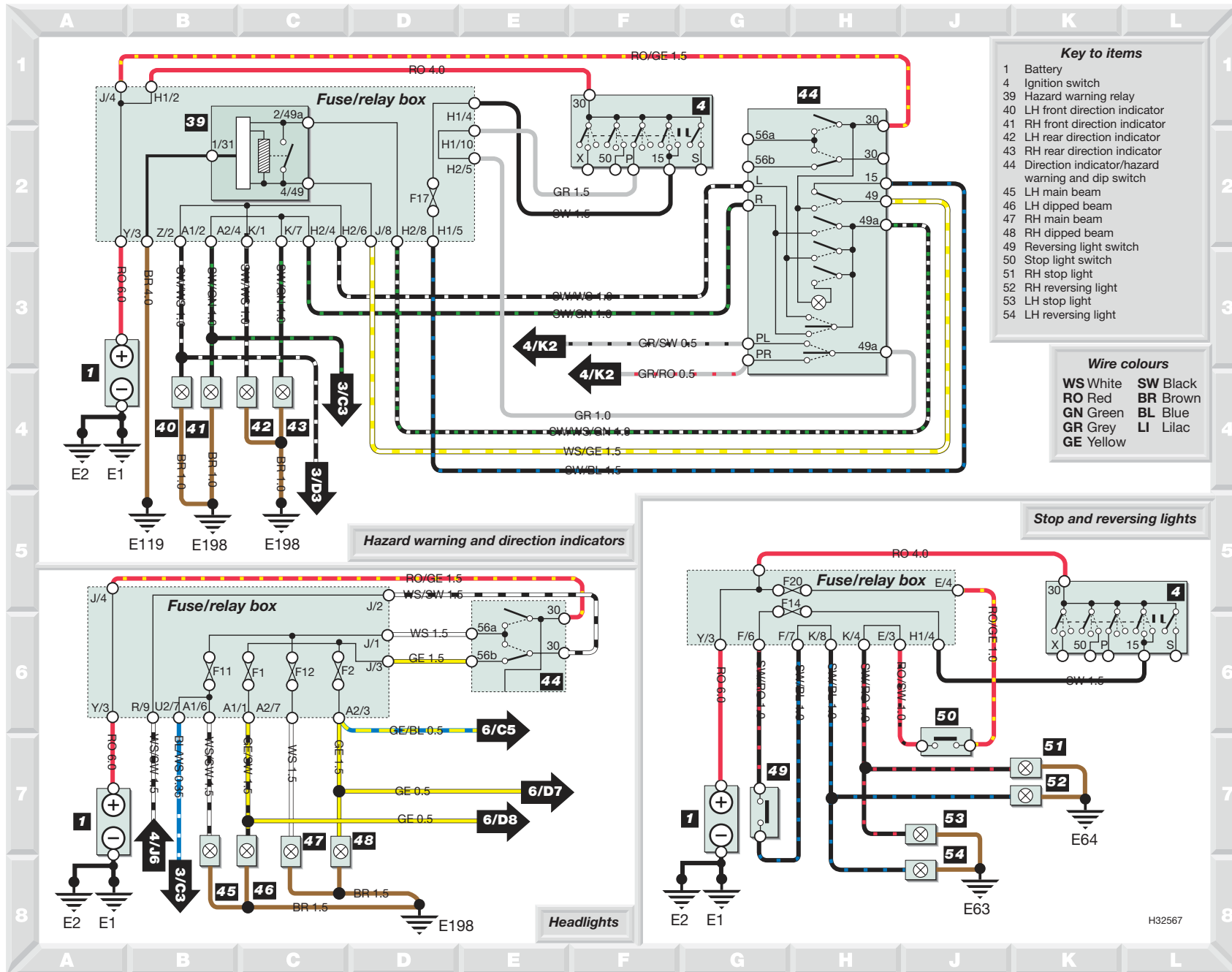


Diagram 5 : Typical exterior lighting continued

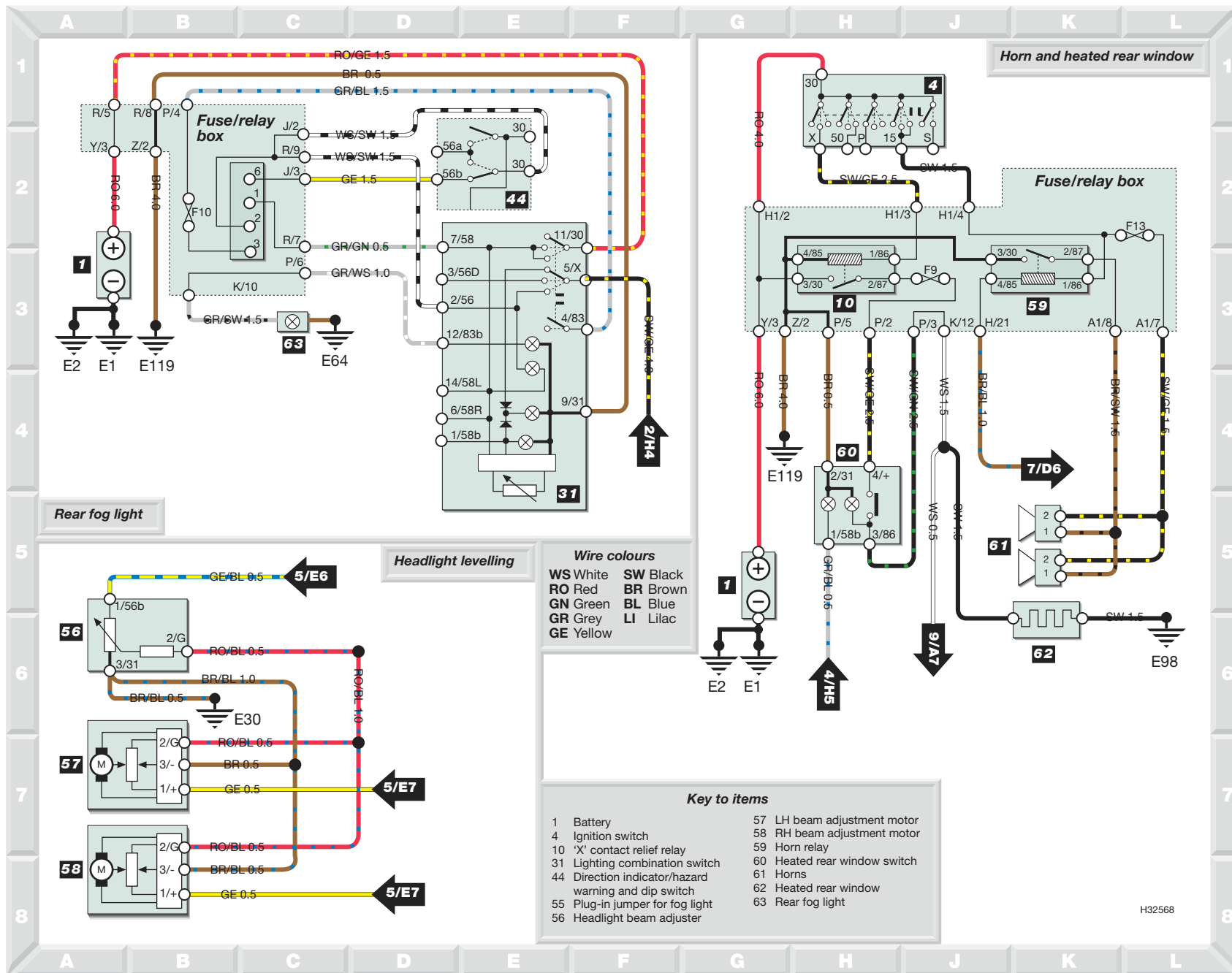


Diagram 6 : Typical exterior lighting and heated rear window

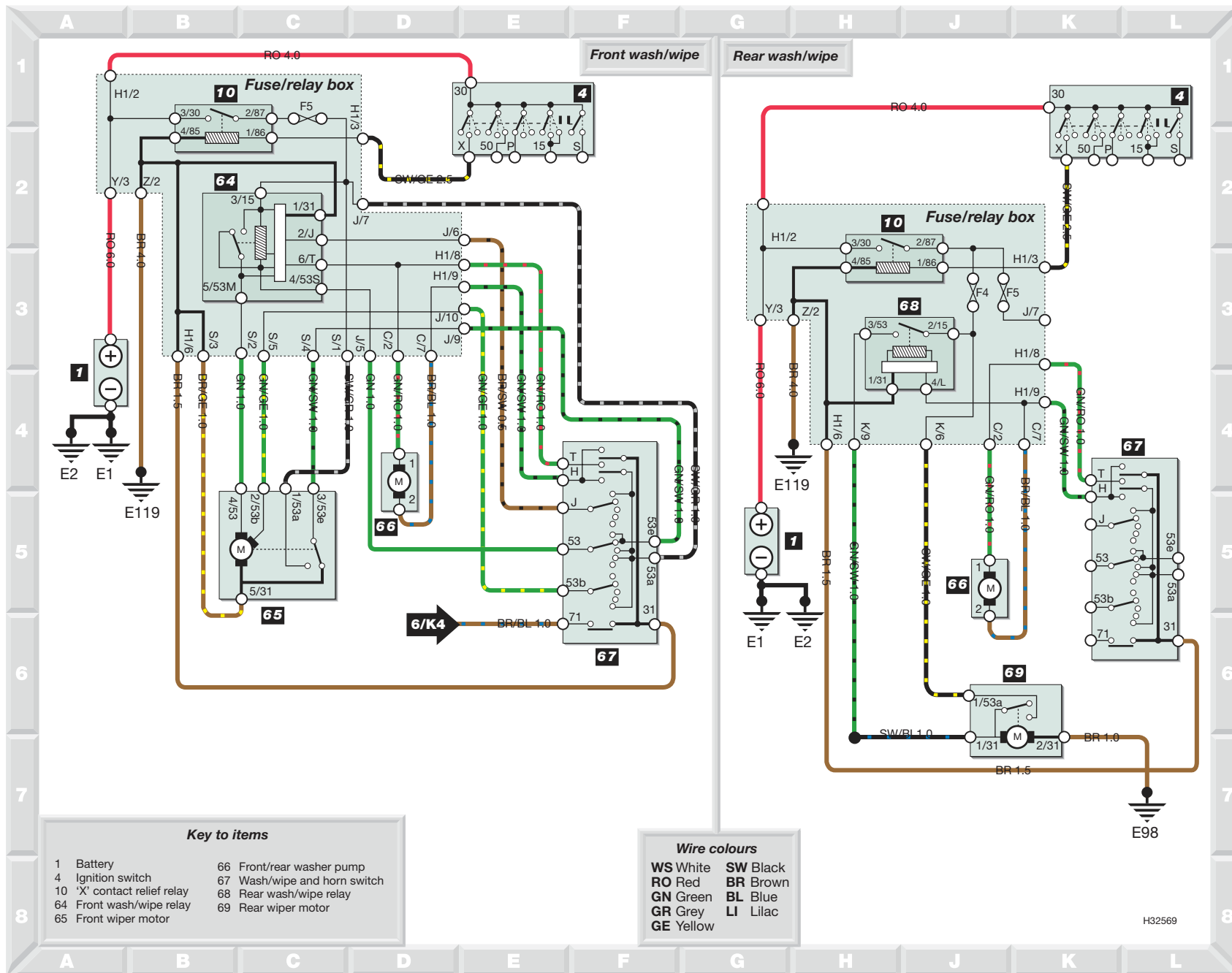


Diagram 7 : Typical front and rear wash/wipe



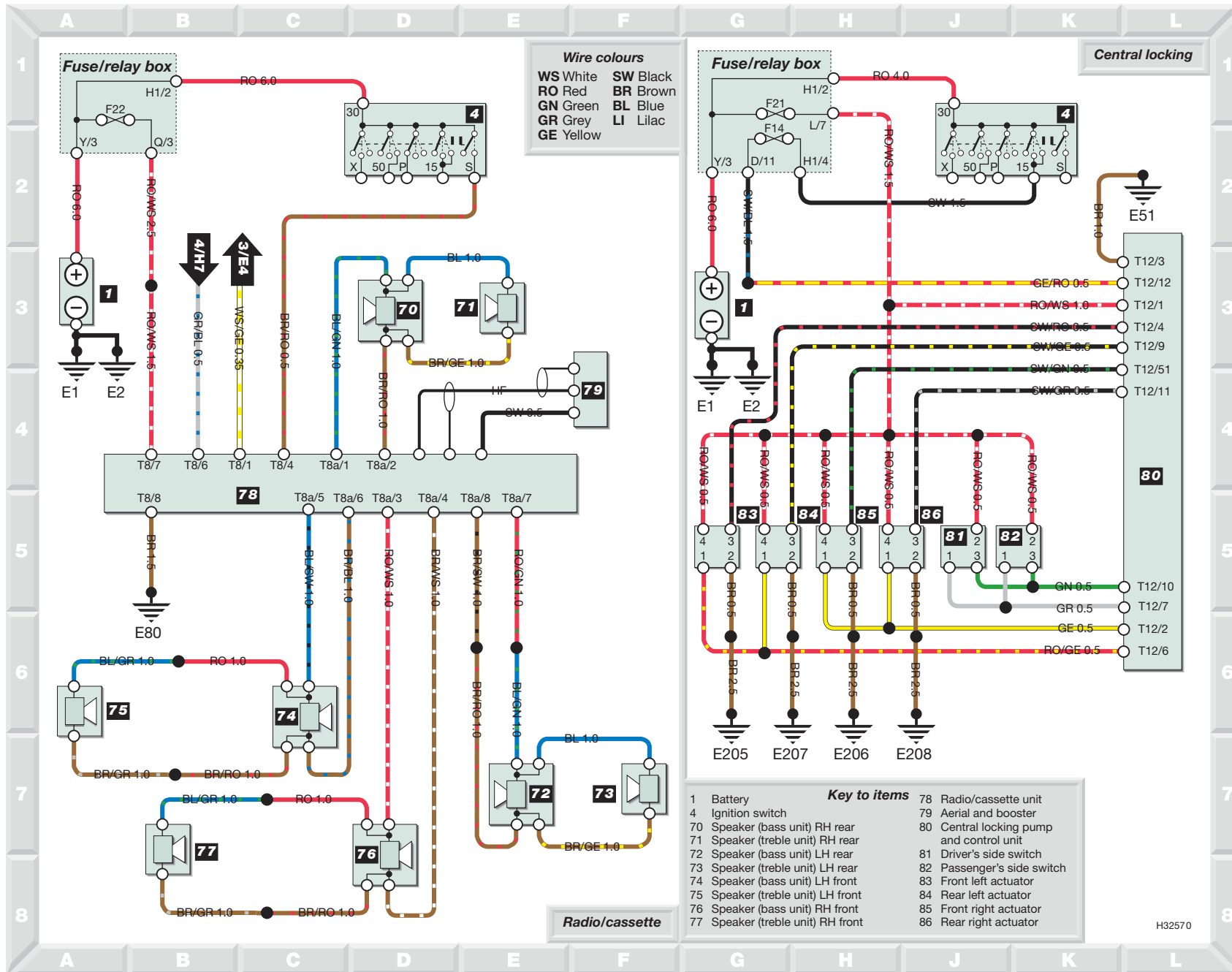


Diagram 8 : Typical radio/cassette and central locking

H32570

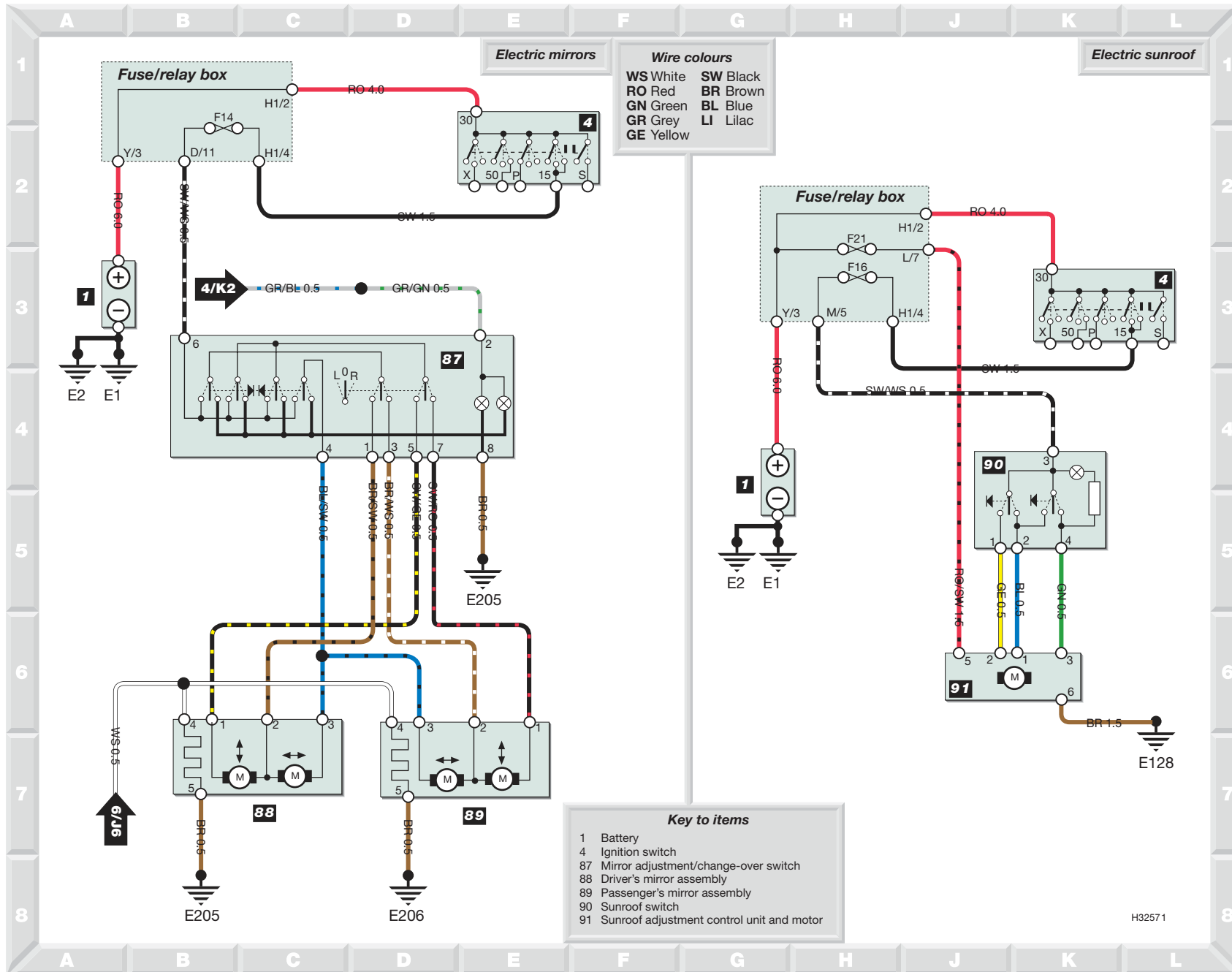


Diagram 9 : Typical electric mirrors and sunroof

H32571

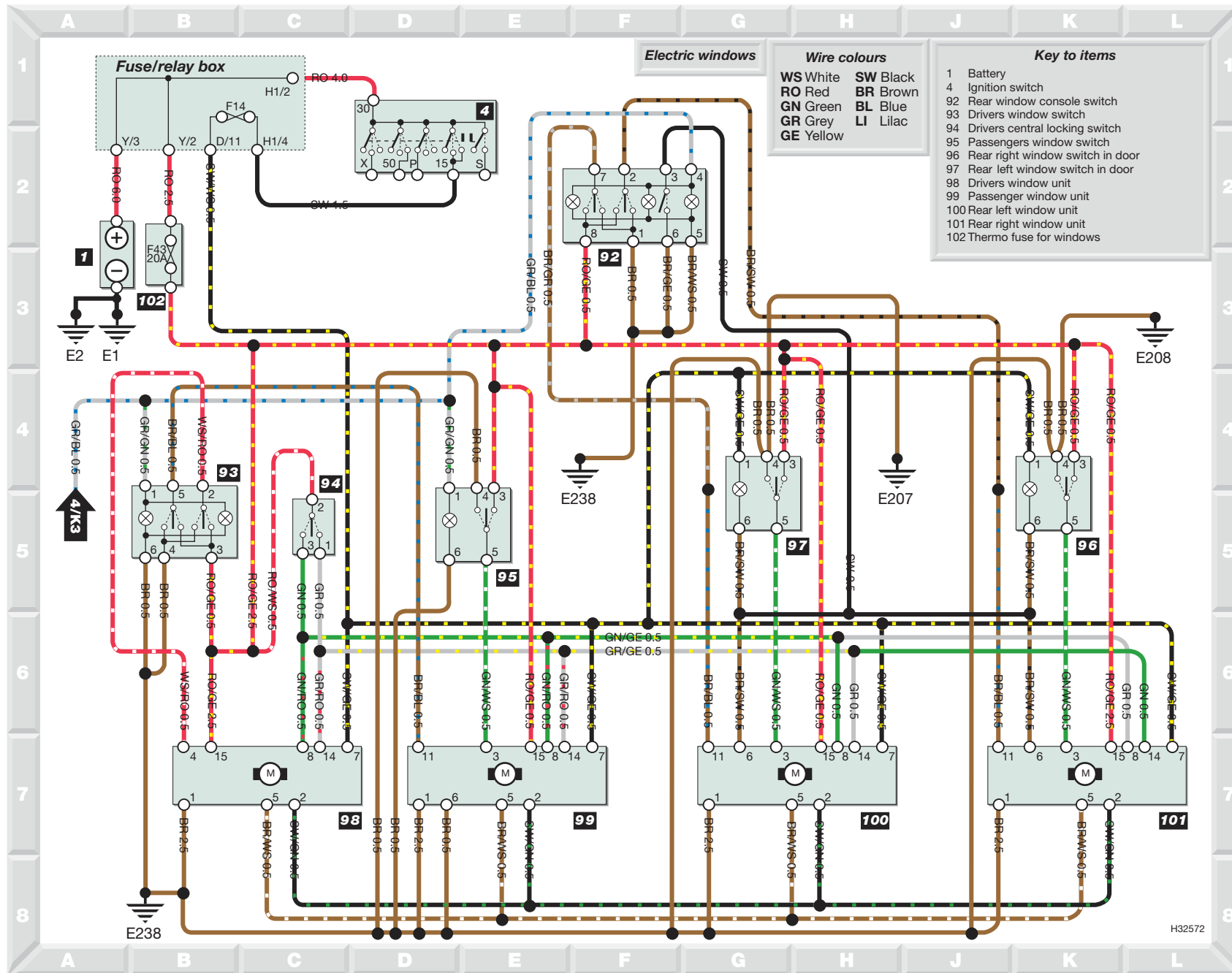


Diagram 10 : Electric window

H32572