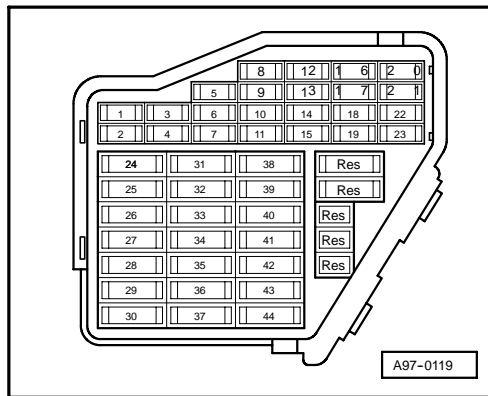


1.9 litre turbo-diesel engine (81 kW, 4-cylinder), engine codes AFN

Model year 1998

Fuse box

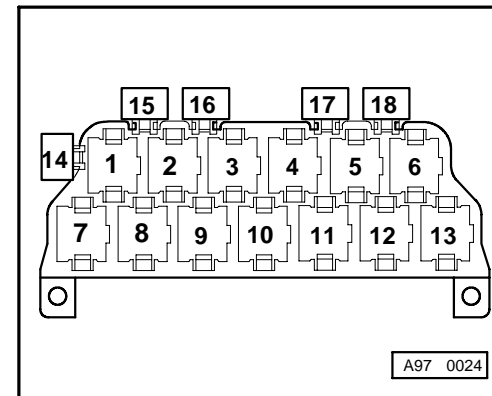


Fuse colours:

- 30 A - green
- 25 A - white
- 20 A - yellow
- 15 A - blue
- 10 A - red
- 5 A - beige

From fuse number 23 upwards the fuses in the fuse box are designated as 223 etc. in the Current Flow Diagram.

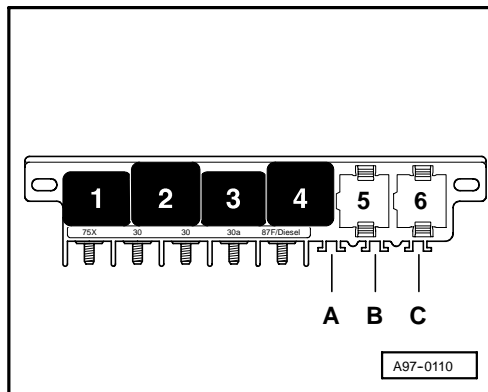
13-point relay carrier



Position of relays:

- 4** - Starter inhibitor and reversing light relay (J226)

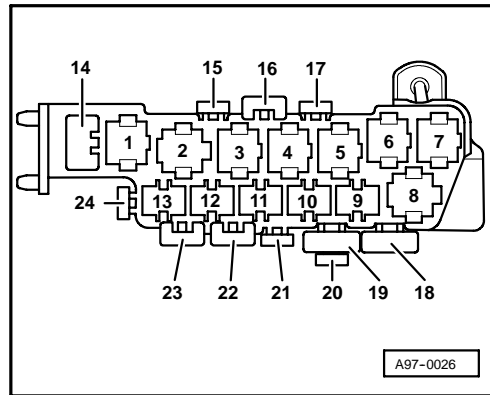
Micro-central electrics



Position of relays:

- 4** - Relay for glow plugs (J52)

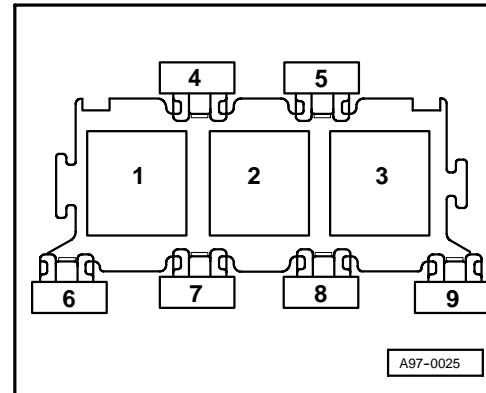
8-point relay carrier



Position of relays:

- 1** - Radiator fan run-on relay (J138)
- 3** - Radiator fan relay (J26)
- 20** - Radiator fan fuse (S42)
- 21** - Radiator fan control unit fuse (S142)

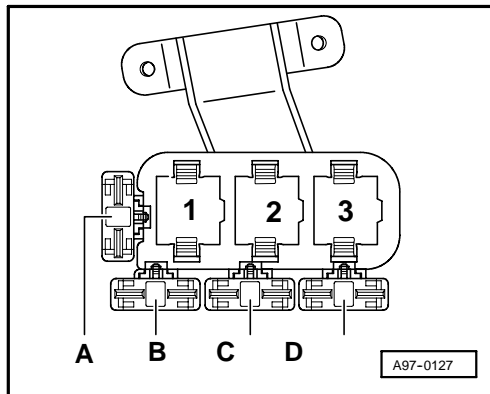
3-point relay carrier in electronics box, plenum chamber



Position of relays:

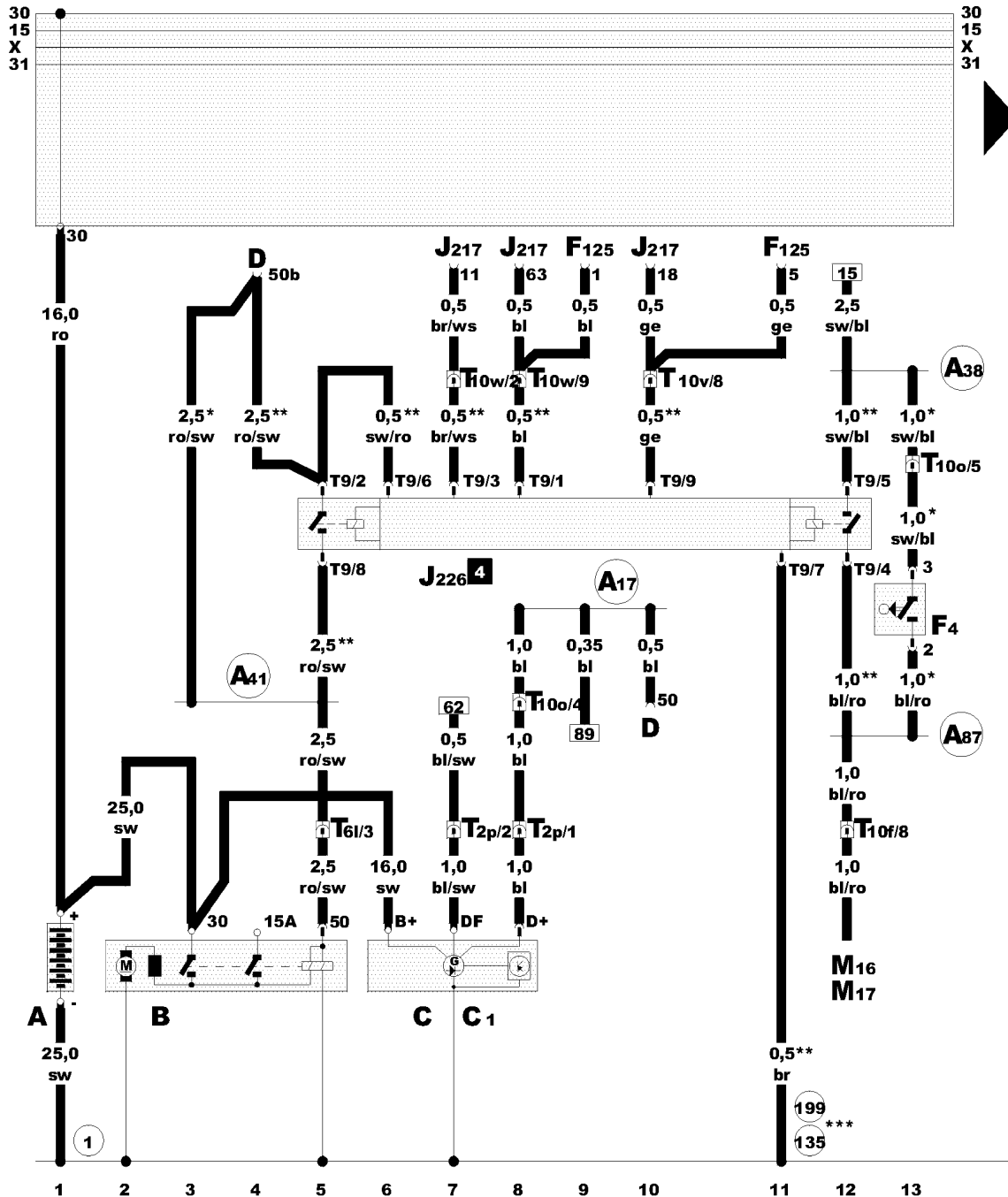
- 3** - Diesel direct injection system relay (J322)
- 5** - Engine control unit fuse (S102)
- 9** - Fuse for glow plugs - engine (S39)

Relay carrier, driver's side, behind dash panel at central carrier



Position of relays:

- 1** - Low heat output relay (J359)
- 3** - High heat output relay (J360)
- C** - Additional heater fuse 2 (S143)
- D** - Additional heater fuse (S109)



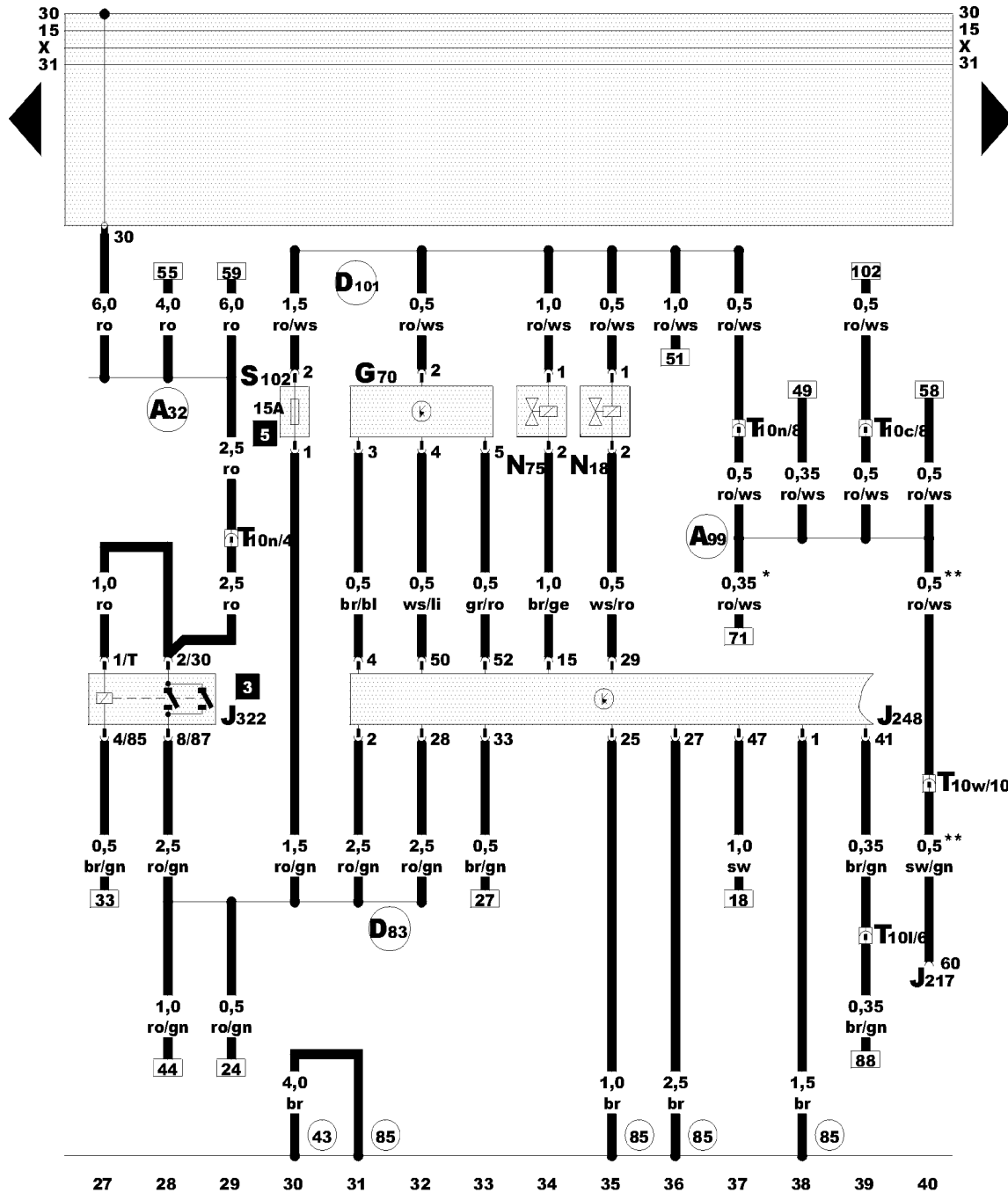
Battery, starter, alternator, starter inhibitor and reversing light relay

- A - Battery
- B - Starter
- C - Alternator
- C1 - Voltage regulator
- D - Ignition/starter switch
- F4 - Reversing light switch
- F125 - Multi-function switch
- J217 - Automatic gearbox control unit
- J226 - Starter inhibitor and reversing light relay
- M16 - Reversing light bulb, left
- M17 - Reversing light bulb, right
- T2p - 2-pin connector, blue, in engine compartment, right
- T6l - 6-pin connector, red, connector point, electronics box, plenum chamber
- T9 - 9-pin connector, brown, at starter inhibitor relay
- T10f - 10-pin connector, brown, connector point, A pillar, left
- T10o - 10-pin connector, brown, connector point, electronics box, plenum chamber
- T10v - 10-pin connector, brown, connector point, A pillar, right
- T10w - 10-pin connector, blue, connector point, A pillar, right

- (1) - Earth strap, battery - body
- (135) - Earth connection -2-, in dash panel wiring harness
- (199) - Earth connection -3-, in dash panel wiring harness
- (A17) - Connection (61), in dash panel wiring harness
- (A38) - Positive (+) connection -2- (15a), in dash panel wiring harness
- (A41) - Positive (+) connection (50), in dash panel wiring harness
- (A87) - Connection (RF (reversing light)), in dash panel wiring harness

ws = white
 sw = black
 ro = red
 br = brown
 gn = green
 bl = blue
 gr = grey
 li = purple
 ge = yellow

- * - Models with manual gearbox
- ** - Models with automatic gearbox
- *** - Both possible



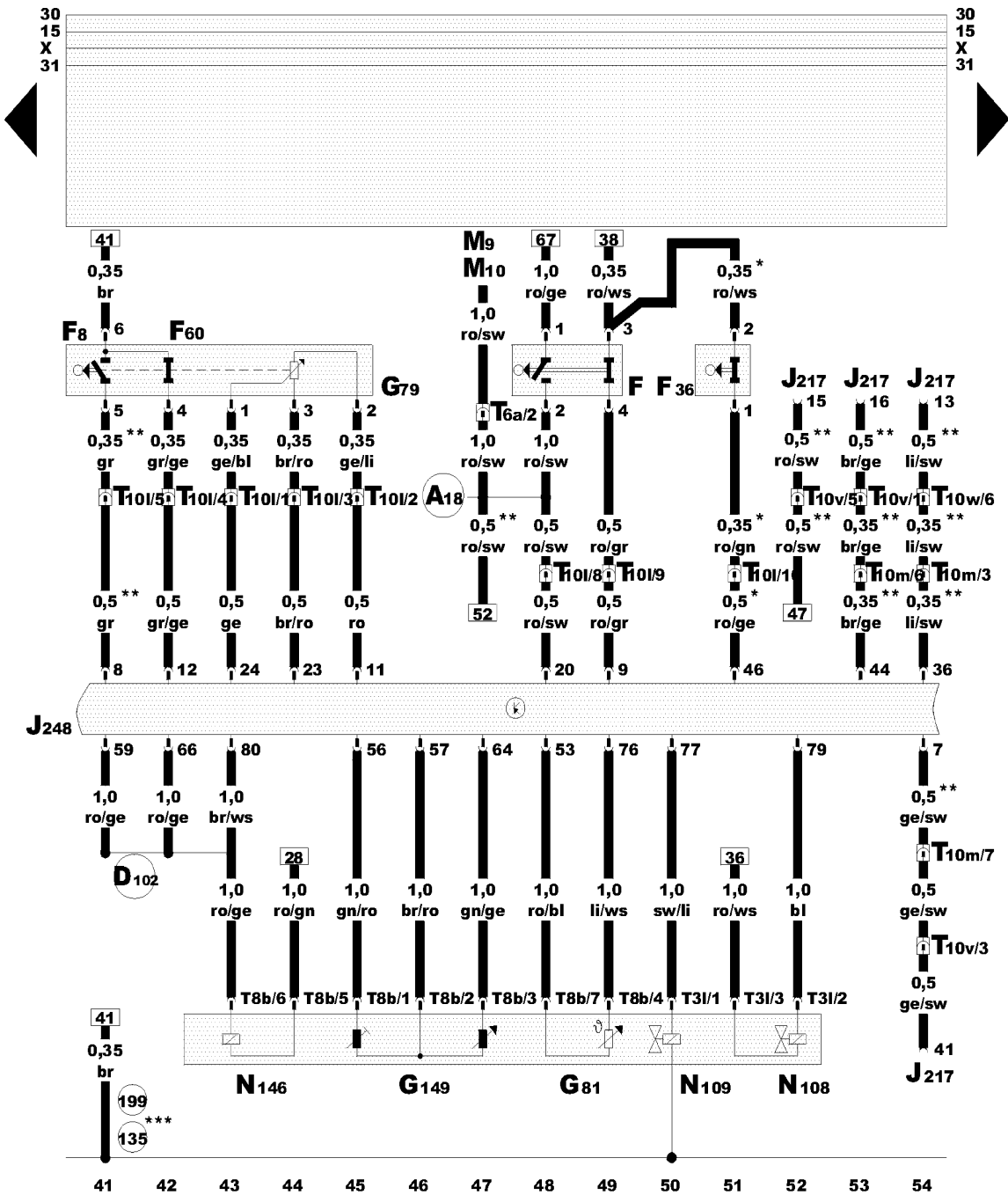
Diesel direct injection system control unit, diesel direct injection system relay, fuse, valves

- G70 - Air mass meter
- J217 - Automatic gearbox control unit
- J248 - Diesel direct injection system control unit
- J322 - Diesel direct injection system relay
- N18 - Exhaust gas recirculation valve
- N75 - Charge pressure control solenoid valve
- S102 - Engine control unit fuse
- T10c - 10-pin connector, grey, connector point, A pillar, left
- T10i - 10-pin connector, white, connector point, electronics box, plenum chamber
- T10n - 10-pin connector, yellow, connector point, electronics box, plenum chamber
- T10w - 10-pin connector, blue, connector point, A pillar, right

- (43) - Earth point, lower part of right A-pillar
- (85) - Earth connection -1-, in engine compartment wiring harness
- (A32) - Positive (+) connection (30), in dash panel wiring harness
- (A99) - Connection -1- (87), in dash panel wiring harness
- (D83) - Connection (87), in engine compartment wiring harness
- (D101) - Connection -1-, in engine compartment wiring harness

- * - Models with manual gearbox and cruise control system
- ** - Models with automatic gearbox and cruise control system

ws = white
 sw = black
 ro = red
 br = brown
 gn = green
 bl = blue
 gr = grey
 li = purple
 ge = yellow



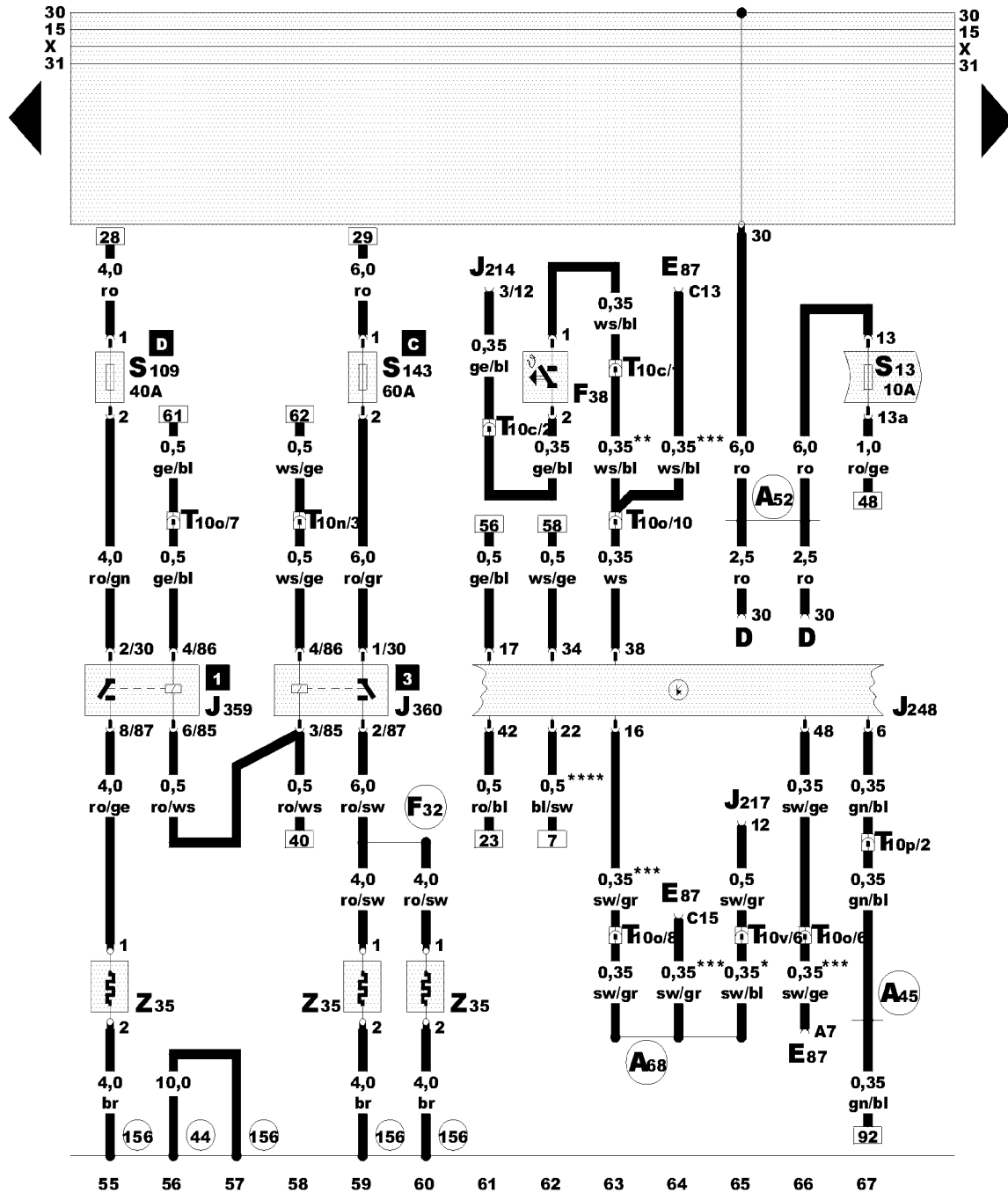
Diesel direct injection system control unit, accelerator pedal position sender, brake light switch, clutch pedal switch, injection pump

- F - Brake light switch
- F8 - Kick-down switch
- F36 - Clutch pedal switch
- F60 - Idling switch
- G79 - Accelerator pedal position sender
- G81 - Fuel temperature sender
- G149 - Modulating piston movement sender
- J217 - Automatic gearbox control unit
- J248 - Diesel direct injection system control unit
- M9 - Brake light bulb, left
- M10 - Brake light bulb, right
- N108 - Commencement of injection valve
- N109 - Fuel shut-off valve
- N146 - Metering adjuster
- T31 - 3-pin connector, black, on injection pump
- T6a - 6-pin connector, blue, connector point, A pillar, left
- T8b - 8-pin connector, injection pump
- T10l - 10-pin connector, white, connector point, electronics box, plenum chamber
- T10m - 10-pin connector, blue, connector point, electronics box, plenum chamber
- T10v - 10-pin connector, brown, connector point, A pillar, right
- T10w - 10-pin connector, blue, connector point, A pillar, right

- (135) - Earth connection -2-, in dash panel wiring harness
- (199) - Earth connection -3-, in dash panel wiring harness
- (A18) - Connection (54), in dash panel wiring harness
- (D102) - Connection -2-, in engine compartment wiring harness

ws = white
 sw = black
 ro = red
 br = brown
 gn = green
 bl = blue
 gr = grey
 li = purple
 ge = yellow

- * - Models with manual gearbox
- ** - Models with automatic gearbox
- *** - Both possible



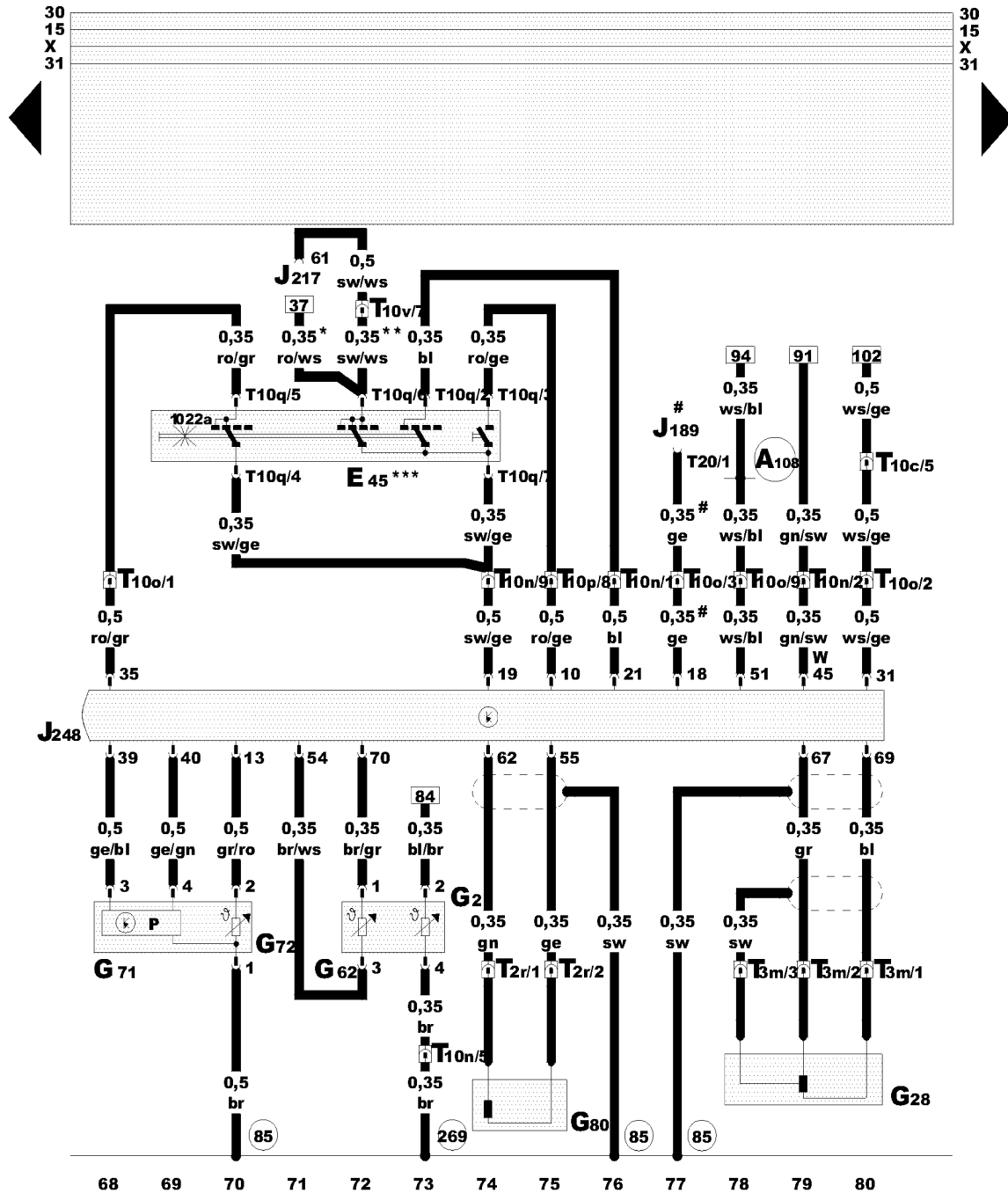
Diesel direct injection system control unit, additional heater relay, fuses

- D - Ignition/starter switch
- E87 - Control and display unit for air conditioner
- F38 - Ambient temperature switch
- J214 - Thermotronic control unit
- J217 - Automatic gearbox control unit
- J248 - Diesel direct injection system control unit
- J359 - Low heat output relay
- J360 - High heat output relay
- S13 - Fuse in fuse box
- S109 - Additional heater fuse
- S143 - Additional heater fuse 2
- T10c - 10-pin connector, grey, connector point, A pillar, left
- T10n - 10-pin connector, yellow, connector point, electronics box, plenum chamber
- T10o - 10-pin connector, brown, connector point, electronics box, plenum chamber
- T10p - 10-pin connector, black, connector point, electronics box, plenum chamber
- T10v - 10-pin connector, brown, connector point, A pillar, right
- Z35 - Additional heating heater element

- (44) - Earth point, lower part of left A-pillar
- (156) - Earth connection, in diesel direct injection wiring harness
- (A45) - Connection (engine speed signal), in dash panel wiring harness
- (A52) - Positive (+) connection 2 (30), in dash panel wiring harness
- (A68) - Connection (C15, air conditioner), in dash panel wiring harness
- (F32) - Connection (additional heater), in diesel direct injection system wiring harness

ws = white
 sw = black
 ro = red
 br = brown
 gn = green
 bl = blue
 gr = grey
 li = purple
 ge = yellow

- * - Models with automatic gearbox
- ** - Models with Thermotronic
- *** - Models with air conditioner
- **** - Models with 120 A alternator



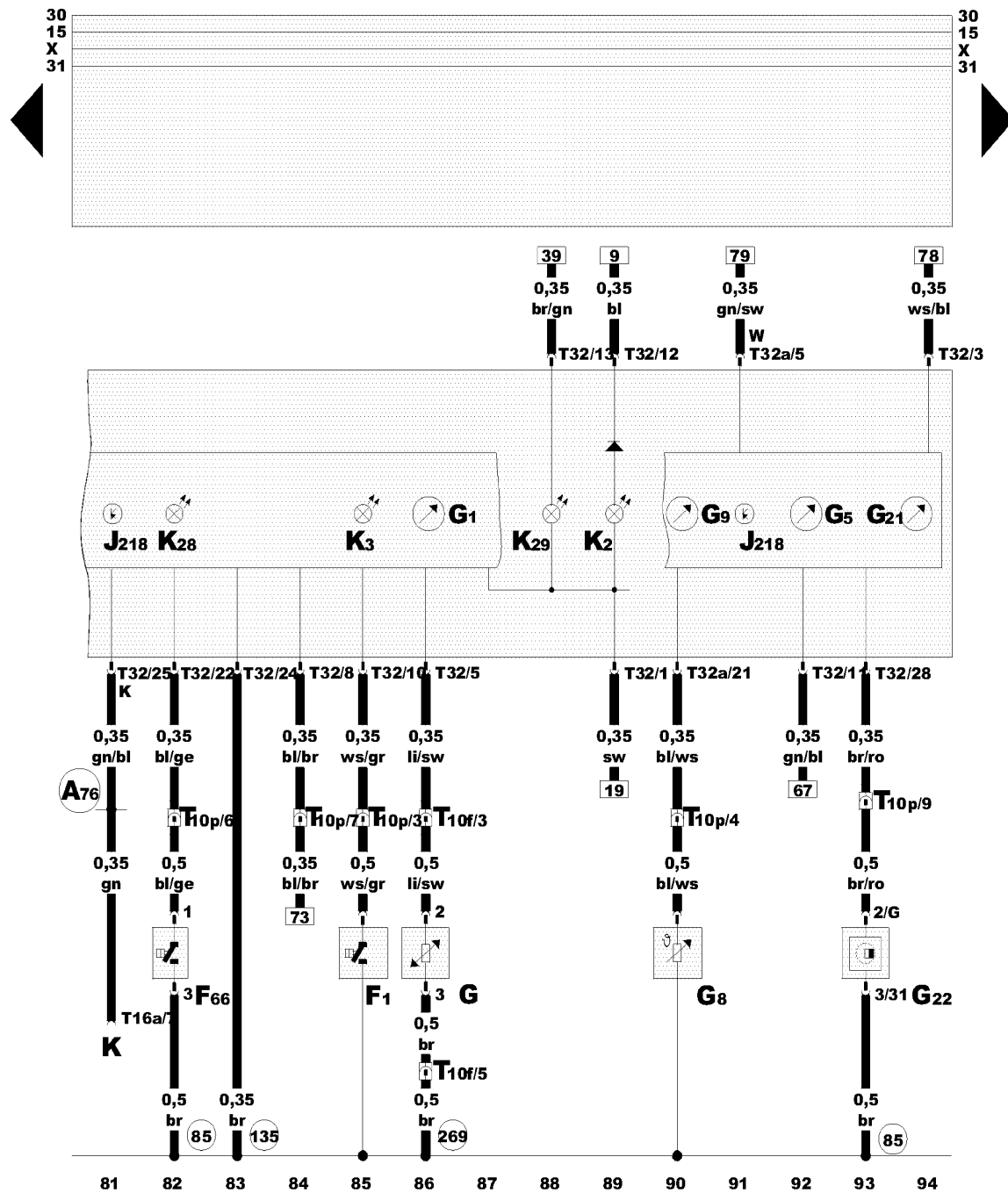
Diesel direct injection system control unit, cruise control system switch, engine speed sender, coolant temperature, intake manifold pressure, intake manifold temperature and needle lift

- E45 - Cruise control system switch
- G2 - Coolant temperature sender
- G28 - Engine speed sender
- G62 - Coolant temperature sender
- G71 - Intake manifold pressure sender
- G72 - Intake manifold temperature sender
- G80 - Needle lift sender
- J189 - Auto-check system
- J217 - Automatic gearbox control unit
- J248 - Diesel direct injection system control unit
- T2r - 2-pin connector, brown, in engine compartment, right
- T3m - 3-pin connector, black, on engine speed sender
- T10c - 10-pin connector, grey, connector point, A pillar, left
- T10n - 10-pin connector, yellow, connector point, electronics box, plenum chamber
- T10o - 10-pin connector, brown, connector point, electronics box, plenum chamber
- T10p - 10-pin connector, black, connector point, electronics box, plenum chamber
- T10q - 10-pin connector, black, on cruise control system switch
- T10v - 10-pin connector, brown, connector point, A pillar, right
- T20 - 20-pin connector, red/white, on dash panel insert

- (85) - Earth connection -1-, in engine compartment wiring harness
- (269) - Earth connection (sender earth) -1-, in dash panel wiring harness
- (A108) - Connection (speed signal), in dash panel wiring harness

ws = white
 sw = black
 ro = red
 br = brown
 gn = green
 bl = blue
 gr = grey
 li = purple
 ge = yellow

- * - Models with manual gearbox
- ** - Models with automatic gearbox
- *** - Models with cruise control system
- # - Models with on-board computer

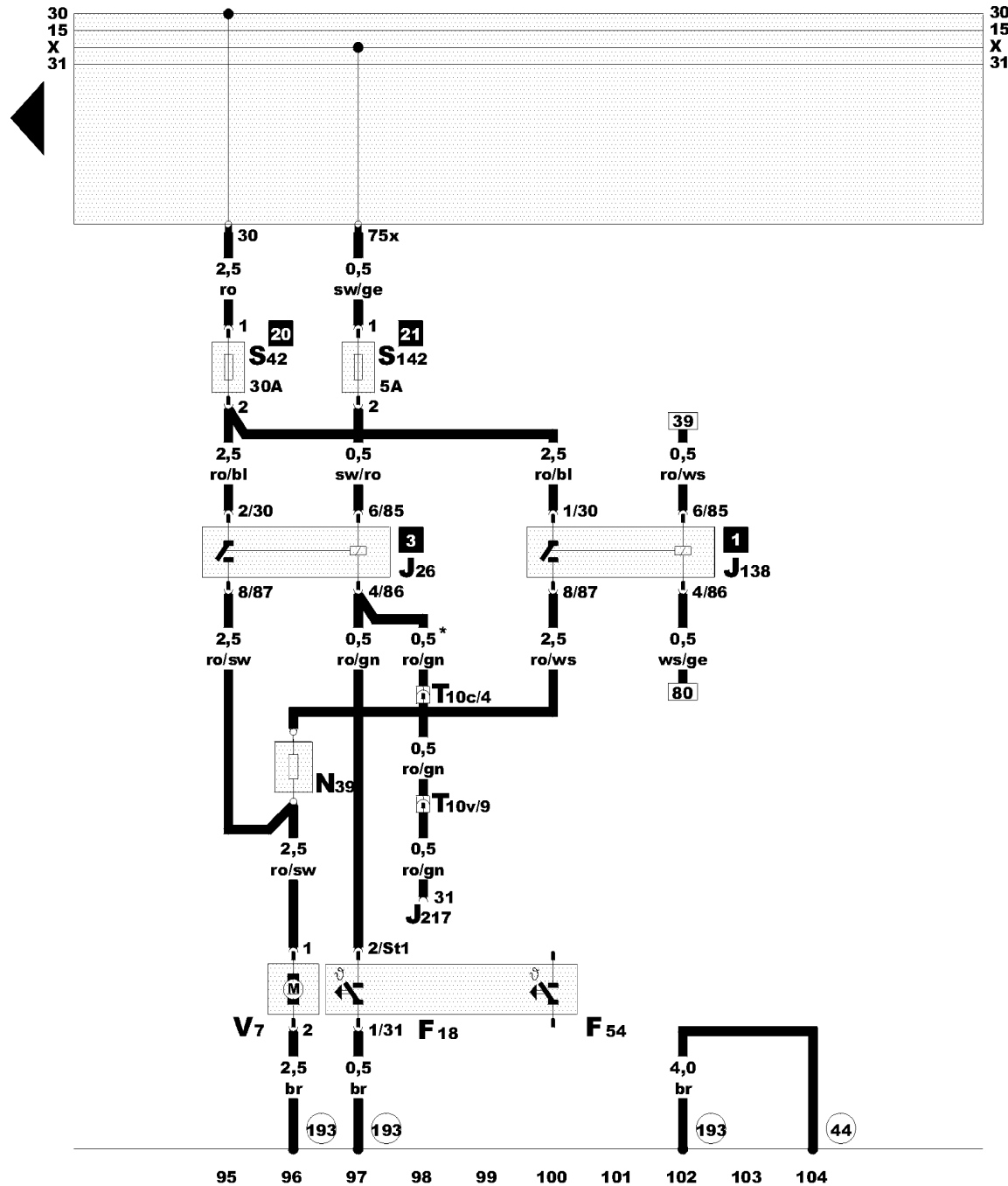


Dash panel insert, warning lamps, speedometer sender, fuel gauge, oil temperature gauge, rev. counter

- F1 - Oil pressure switch
- F66 - Coolant shortage indicator switch
- G - Fuel gauge sender
- G1 - Fuel gauge
- G5 - Rev. counter
- G8 - Oil temperature sender
- G9 - Oil temperature gauge
- G21 - Speedometer
- G22 - Speedometer sender (Hall sender, on gearbox)
- J218 - Combi-processor in dash panel insert
- K - Diagnosis connection
- K2 - Alternator warning lamp
- K3 - Oil pressure warning lamp
- K28 - Coolant temperature/coolant shortage warning lamp
- K29 - Glow period warning lamp
- T10f - 10-pin connector, brown, connector point, A pillar, left
- T10o - 10-pin connector, brown, connector point, electronics box, plenum chamber
- T10p - 10-pin connector, black, connector point, electronics box, plenum chamber
- T16a - 16-pin connector, diagnosis connection
- T32 - 32-pin connector, blue, on dash panel insert
- T32a - 32-pin connector, green, on dash panel insert

- (85) - Earth connection -1-, in engine compartment wiring harness
- (135) - Earth connection -2-, in dash panel wiring harness
- (269) - Earth connection (sender earth) -1-, in dash panel wiring harness
- (A76) - Connection (diagnosis wire K), in dash panel wiring harness

ws = white
 sw = black
 ro = red
 br = brown
 gn = green
 bl = blue
 gr = grey
 li = purple
 ge = yellow



Engine cooling

- F18 - Radiator fan thermo-switch
- F54 - Radiator fan thermo-switch
- J26 - Radiator fan relay
- J138 - Radiator fan run-on relay
- J217 - Automatic gearbox control unit
- N39 - Radiator fan series resistor
- S42 - Radiator fan single fuse
- S142 - Radiator fan control unit fuse
- T10c - 10-pin connector, grey, connector point, A pillar, left
- T10v - 10-pin connector, brown, connector point, A pillar, right
- V7 - Radiator fan
- (44) - Earth point, lower part of left A-pillar
- (193) - Earth connection -1-, in coolant fan wiring harness
- * - Models with automatic gearbox

ws = white
 sw = black
 ro = red
 br = brown
 gn = green
 bl = blue
 gr = grey
 li = purple
 ge = yellow