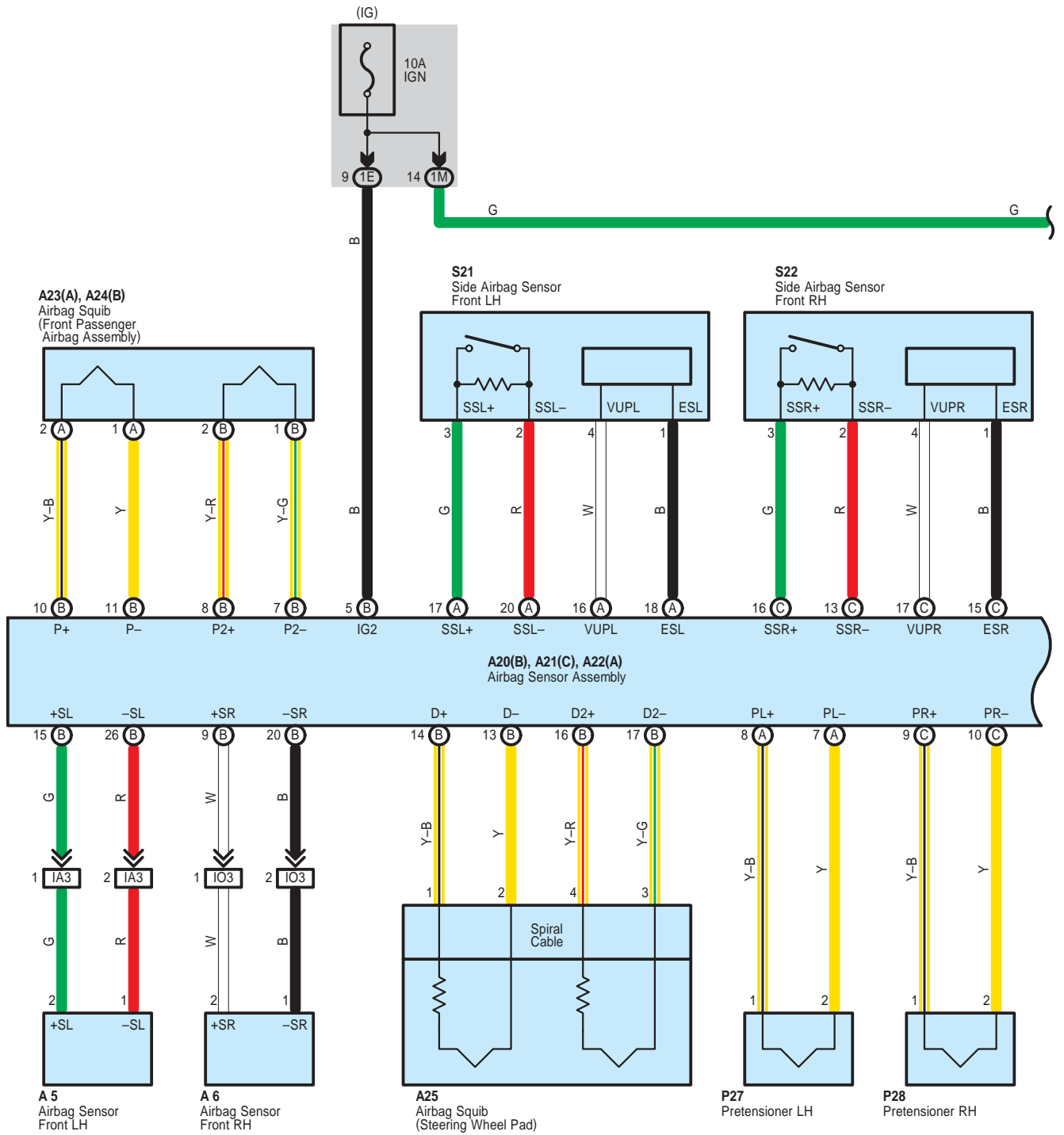


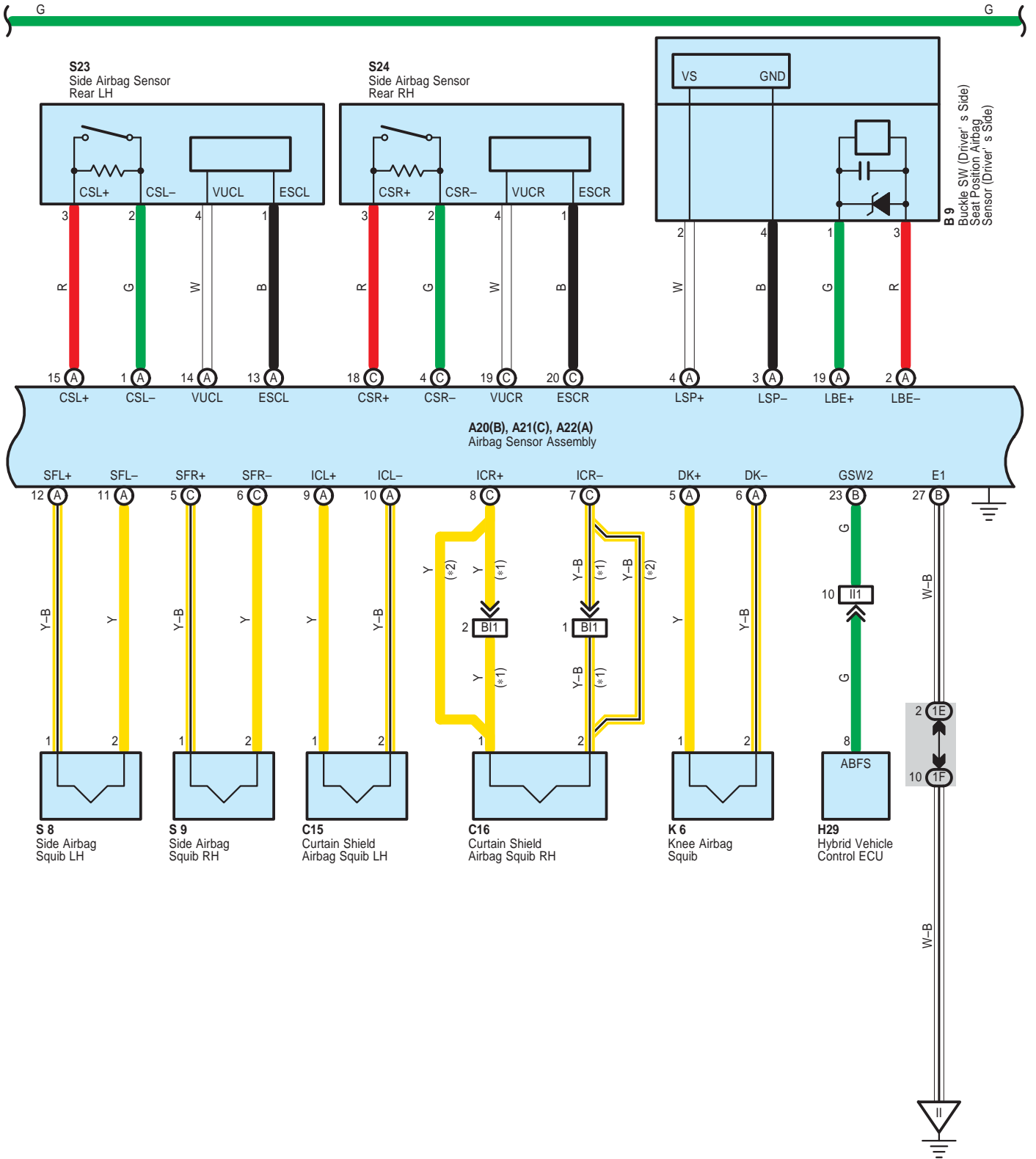
NOTICE: When inspecting or repairing the SRS, perform service in accordance with the following precautionary instructions and the procedure, and precautions in the Repair Manual applicable for the model year.

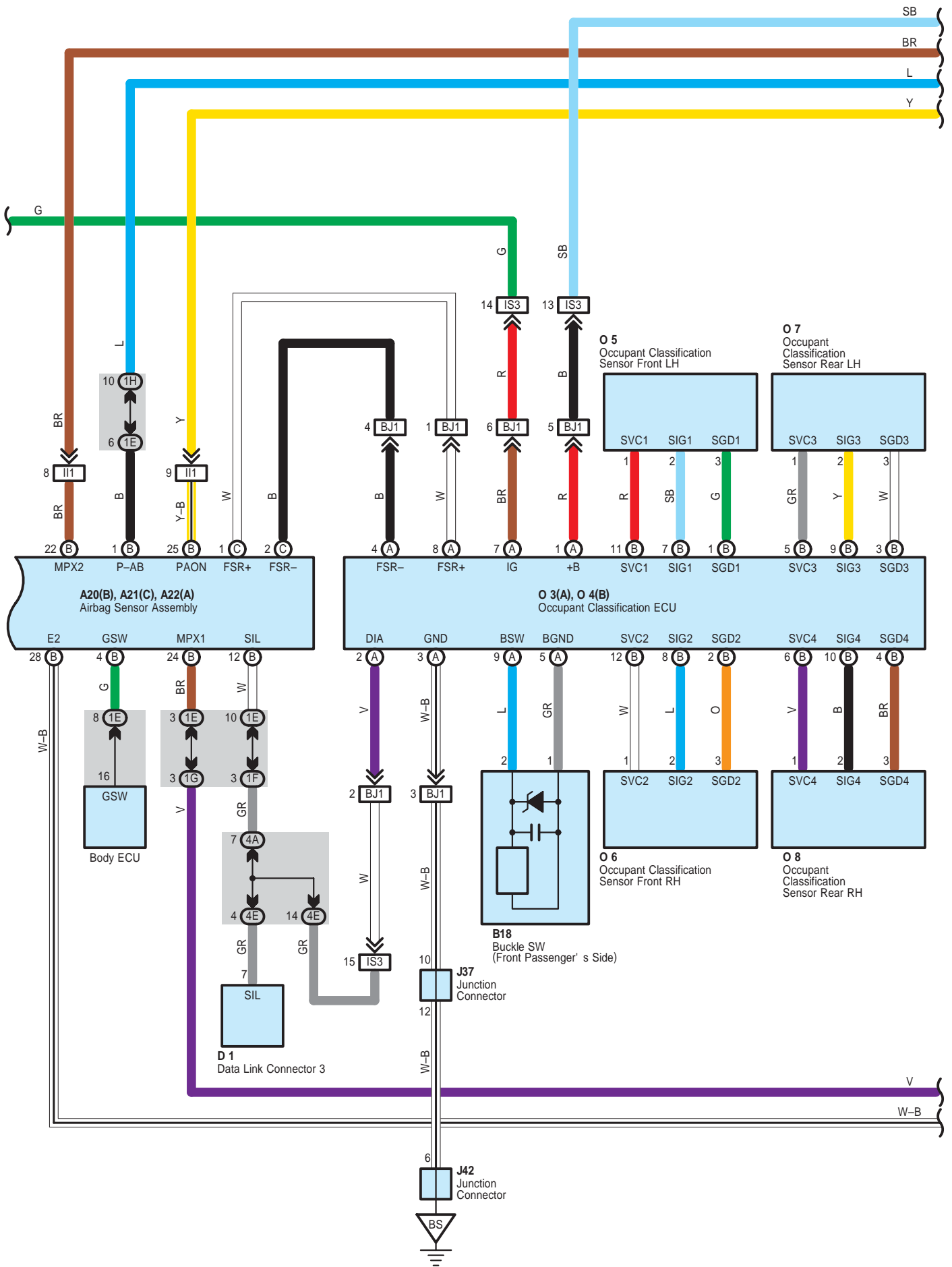
- Malfunction symptoms of the SRS are difficult to confirm, so the DTCs become the most important source of information when troubleshooting. When troubleshooting the SRS, always inspect the DTCs before disconnecting the battery.
- **Work must be started more than 90 seconds after the ignition SW is turned to the "LOCK" position and the negative (-) terminal cable is disconnected from the battery.**  
**(The SRS is equipped with a back-up power source so that if work is started within 90 seconds from disconnecting the negative (-) terminal cable of the battery, the SRS may deploy.)**
- When the negative (-) terminal cable is disconnected from the battery, the memory of the clock and audio system will be cleared. So before starting work, make a record of the contents in the audio memory system. When work is finished, reset the audio systems as they were before and adjust the clock. Some vehicles have power tilt steering, power telescopic steering, power seat and power outside rear view mirror which are all equipped with memory function. However, it is not possible to make a record of these memory contents. So when the work is finished, it will be necessary to explain it to your customer, and ask the customer to adjust the features and reset the memory. To avoid erasing the memory in each system, never use a back-up power supply from outside the vehicle.
- Before repair, remove the airbag sensor if shocks are likely to be applied to the sensor during repair.
- Do not expose the following parts directly to hot air or flame;
- Even in cases of a minor collision where the SRS does not deploy, the following parts should be inspected;
- Never use SRS parts from another vehicle. When replacing parts, replace with new parts.
- For the purpose of reuse, never disassemble and repair the following parts.
- If the following parts have been dropped, or have cracks, dents and other defects in their case, bracket, and connector, replace with new one.
- Use a volt/ohmmeter with high impedance (10 k $\Omega$ /V minimum) for troubleshooting electrical circuits of the system.
- Information labels are attached to the periphery of the SRS components. Follow the instructions of the notice.
- After work on the SRS is completed, check the SRS warning light.
- If the vehicle is equipped with a mobile communication system, refer to the precaution in the IN section of the Repair Manual.

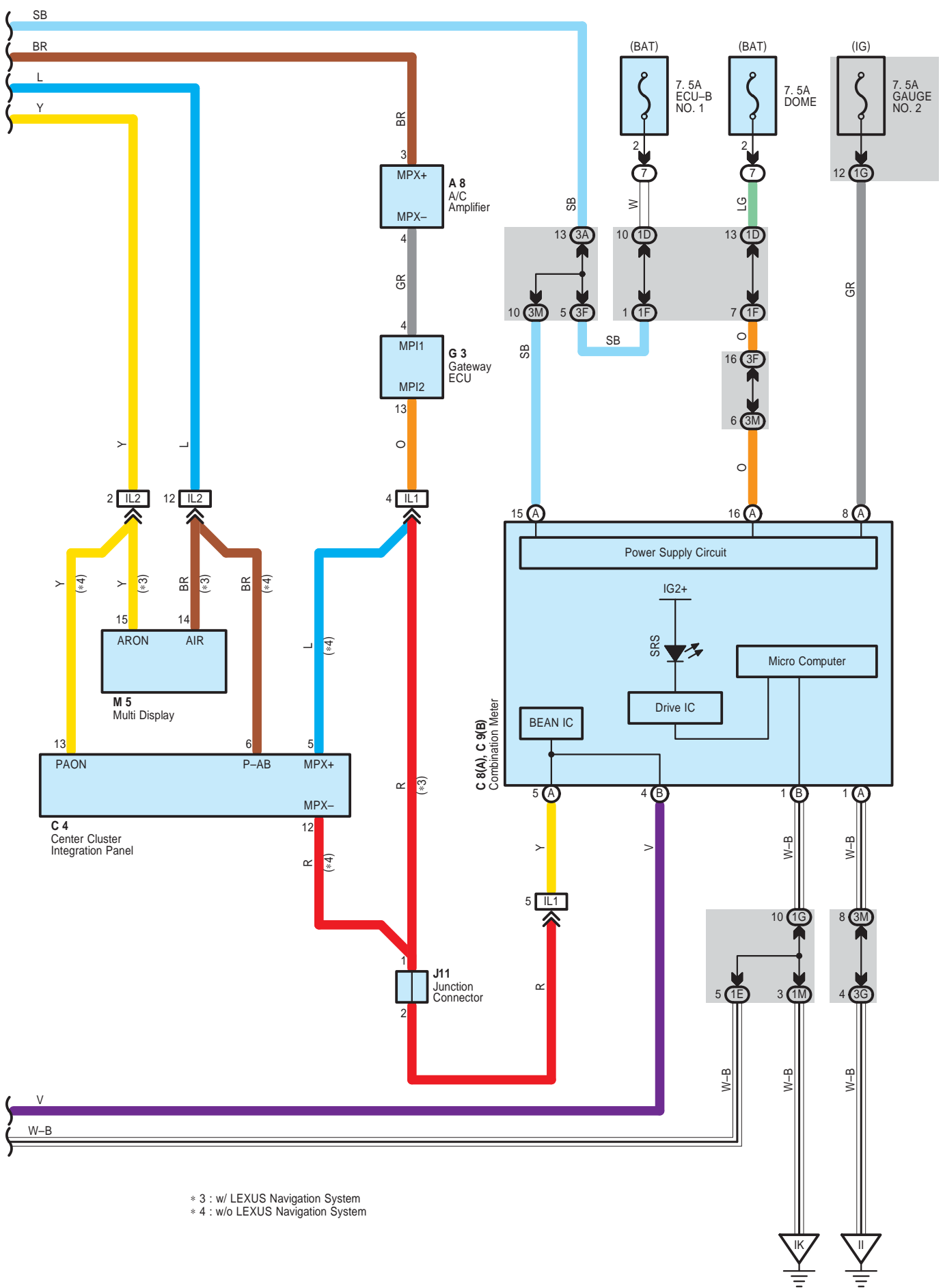
- \* Steering wheel pad
- \* Front passenger airbag assembly
- \* Side airbag assembly
- \* Curtain shield airbag assembly
- \* Knee airbag assembly
- \* Seat belt pretensioner
- \* Center airbag sensor assembly
- \* Front airbag sensor assembly
- \* Side airbag sensor assembly
- \* Rear airbag sensor assembly



\* 1 : w/ Rear Seat Entertainment System  
 \* 2 : w/o Rear Seat Entertainment System







\* 3 : w/ LEXUS Navigation System  
 \* 4 : w/o LEXUS Navigation System

## System Outline

- \* The system reaches an ignition judgment to deploy the following device based on the signals received from the front airbag sensor and deceleration sensor.
  - Driver Airbag
  - Front Passenger Airbag
  - Knee Airbag
  - Seat Belt Pretensioner
- \* The system reaches an ignition judgment to deploy the following device based on the signals received from the side airbag sensors.
  - Side Airbags
  - Curtain Shield Airbags
- \* The dual-stage SRS airbag system has been used for the driver and front passenger airbags. This system controls the optimal airbag inflation by judging the extent of impact, seat position (driver seat) and whether or not the seat belt is fastened (driver seat) and information from the Front Passenger Occupant Classification System.
- \* The front passenger occupant classification system judges whether the front passenger seat is occupied by an adult or child (with child seat) or is unoccupied, according to the load applied to the front passenger seat and whether the seat belt is buckled. Based on the results, it restricts the deployment of the front passenger airbag, front passenger side airbag, and front passenger seat belt pretensioner. In addition, the system informs the driver of the result of the judgment through the use of the AIRBAG ON/OFF indicator lights.
- \* A Roll Sensing Curtain Shield Airbag system has been adopted in order to deploy the curtain shield airbags and the pretensioners, in the event that the vehicle rolls over.
- \* The airbag sensor assembly transmits a signal to the Body ECU in order to release the door lock.
- \* The airbag sensor assembly transmits a signal to the Hybrid Vehicle Control ECU in order to control hybrid high voltage cut off.

## ○ : Parts Location

Code		See Page	Code		See Page	Code		See Page
A5		50	C9	B	53	O5	60	
A6		50	C15		56	O6	60	
A8		52	C16		56	O7	60	
A20	B	52	D1		53	O8	60	
A21	C	52	G3		53	P27	58	
A22	A	52	H29		53	P28	58	
A23	A	52	J11		54	S8	55	
A24	B	52	J37		57	S9	55	
A25		52	J42		57	S21	59	
B9		52	K6		54	S22	59	
B18		60	M5		54	S23	59	
C4		53	O3	A	60	S24	59	
C8	A	53	O4	B	60			

## ○ : Relay Blocks

Code	See Page	Relay Blocks (Relay Block Location)
7	24	Fusible Link Block (Engine Compartment Left)

 : **Junction Block and Wire Harness Connector**

Code	See Page	Junction Block and Wire Harness (Connector Location)
1D	28	Engine Room Main Wire and Instrument Panel J/B (Lower Finish Panel)
1E	28	Instrument Panel Wire and Instrument Panel J/B (Lower Finish Panel)
1F		
1G	29	
1H		
1M	28	
3A	36	Instrument Panel Wire and J/B No.3 (Behind the Combination Meter)
3F		
3G		
3M		
4A	40	Instrument Panel Wire and J/B No.4 (Behind the Glove Box)
4E	41	

 : **Connector Joining Wire Harness and Wire Harness**

Code	See Page	Joining Wire Harness and Wire Harness (Connector Location)
IA3	64	Engine Room Main Wire and Instrument Panel Wire (Left Kick Panel)
II1	65	Instrument Panel Wire and Instrument Panel Wire (Instrument Panel Brace RH)
IL1	66	Instrument Panel Wire and Instrument Panel No.2 Wire (Above the Glove Box)
IL2		
IO3	66	Engine Room Main Wire and Instrument Panel Wire (Right Kick Panel)
IS3	67	Instrument Panel Wire and Floor Wire (Right Kick Panel)
BI1	68	Roof No.2 Wire and Floor Wire (Right Rear Quarter Panel)
BJ1	70	Floor Wire and Front Seat RH Wire (Under the Front Passenger's Seat)

 : **Ground Points**

Code	See Page	Ground Points Location
II	64	Left Kick Panel
IK	64	Behind the Combination Meter
BS	68	Right Rear Quarter Panel