

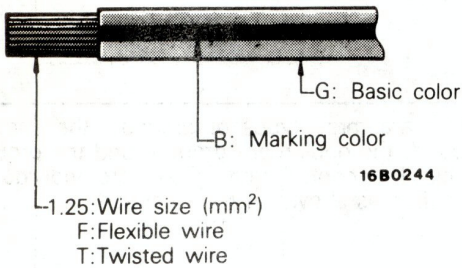
Battery 	Body ground 	Single bulb 	Resistor 	Diode 	Capacitor 
Fuse 	Equipment ground 	Dual bulb 	Variable resistor 	Zener diode 	Crossing of wires without connection 
Fusible link 	ECU interior ground 	Speaker 	Coil 	Transistor 	Crossing of wires with connection 
Connector Female side Male side 	Motor 	Horn 	Pulse generator 	Buzzer 	Chime 
Thyristor 	Piezoelectric device 	Thermistor 	Light emitting diode 	Photo diode 	Photo transistor 

16A0252

### WIRE COLOR CODES

Wire colors are identified by the following color codes.

Example: 1.25F-GB

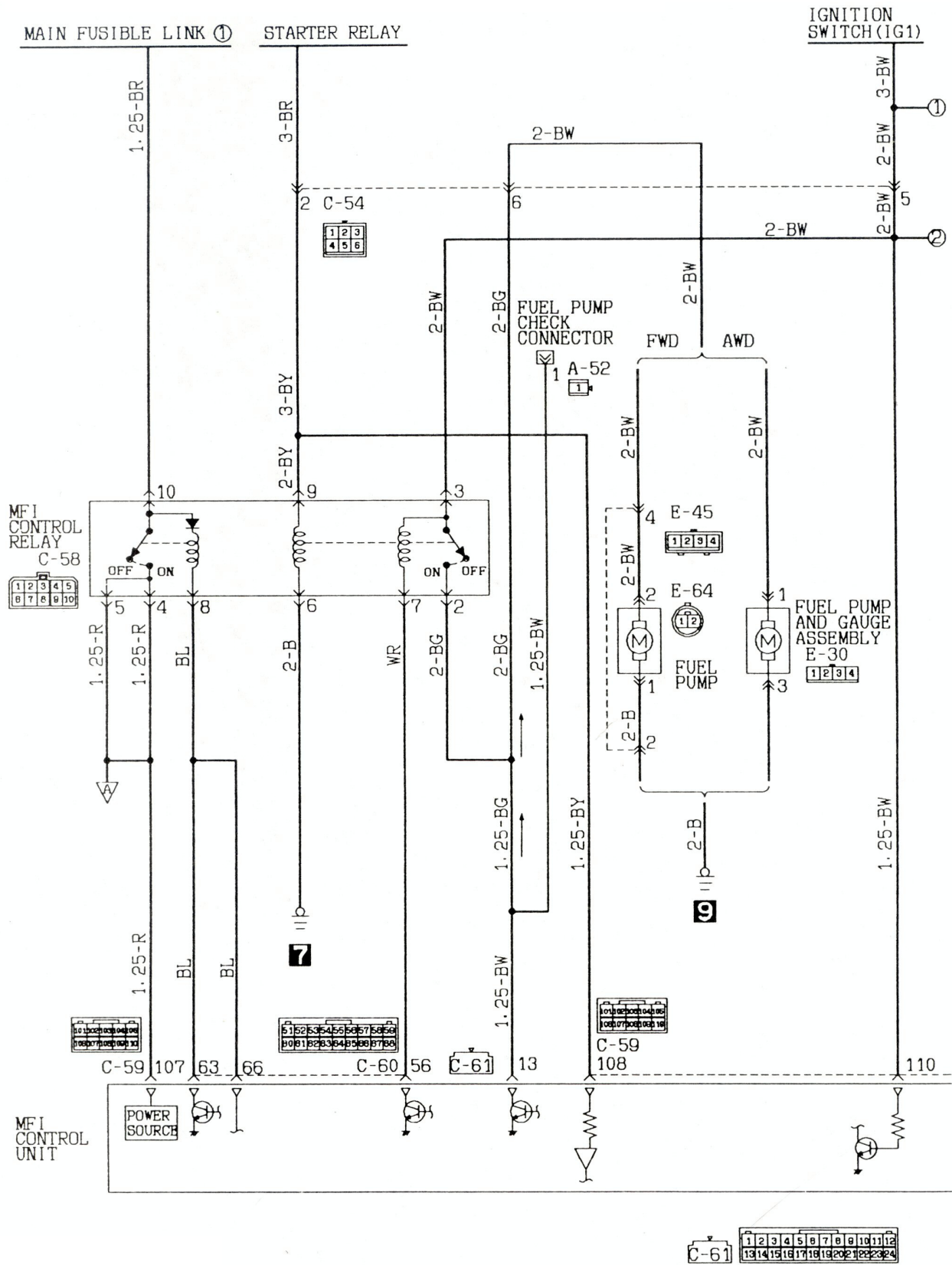


- (1) No code indicates 0.5 mm<sup>2</sup> (.0008 in.<sup>2</sup>).
- (2) Cable color code in parentheses indicates 0.3 mm<sup>2</sup> (.0005 in.<sup>2</sup>).

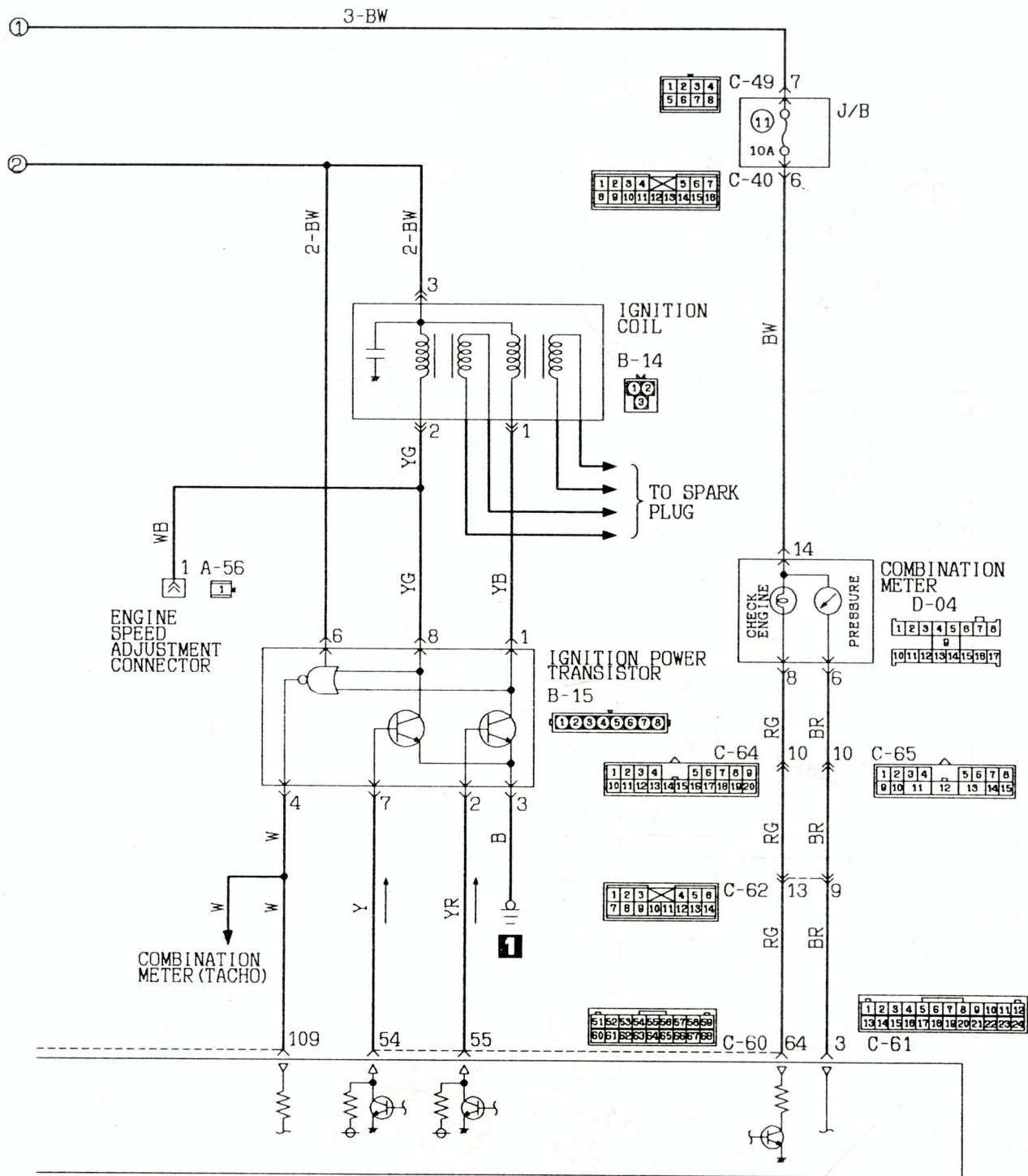
Code	Wire color	Code	Wire color
B	Black	V	Violet
BR	Brown	O	Orange
G	Green	P	Pink
GR	Gray	R	Red
L	Blue	Y	Yellow
LG	Light green	W	White
Sb	Sky blue		

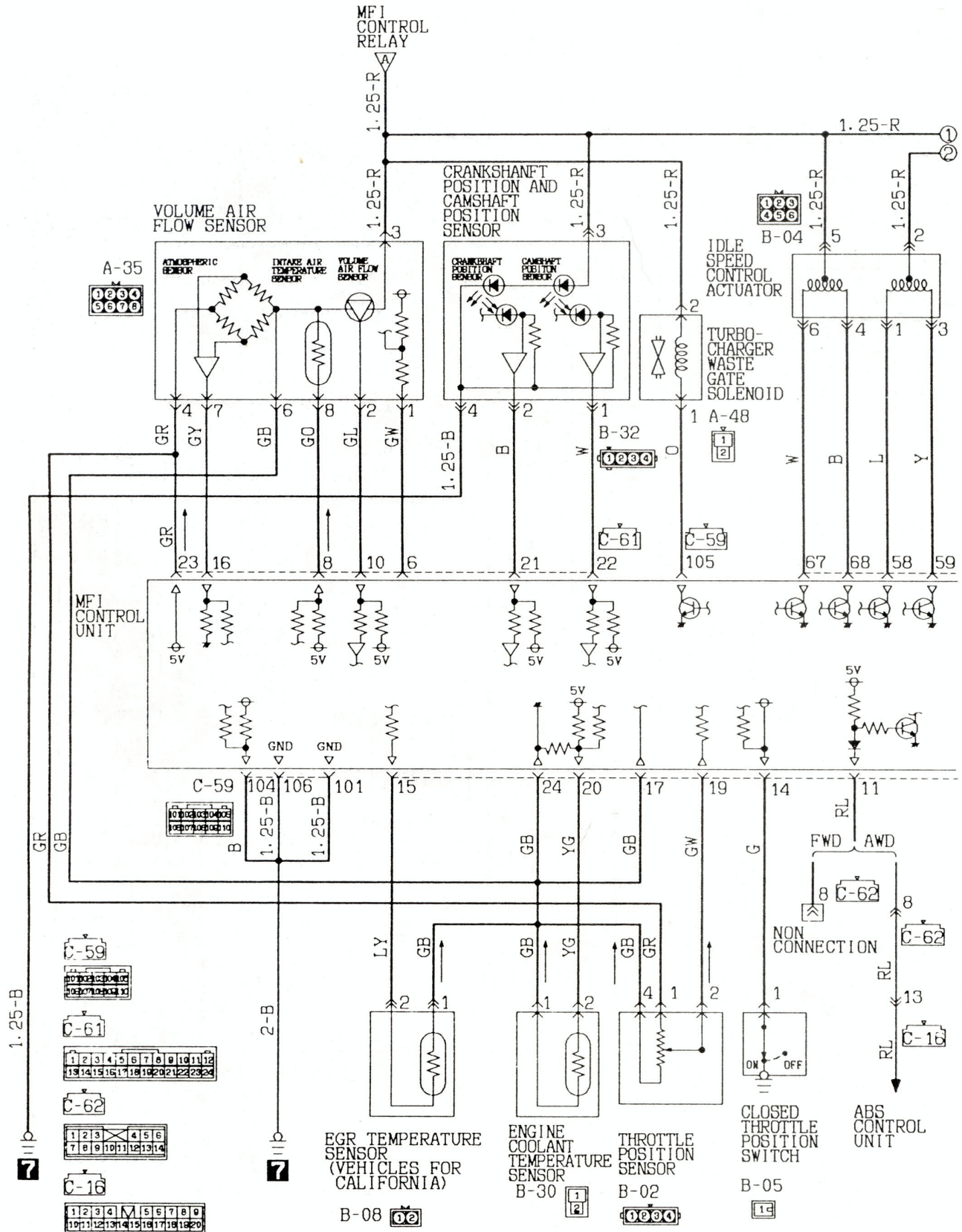
**NOTE**

If a cable has two colors, the first of the two color code characters indicates the basic color (color of the cable coating) and the second indicates the marking color.



# 1992-1994 Mitsubishi Eclipse – Circuit Diagram – MFI System





# 1992-1994 Mitsubishi Eclipse – Circuit Diagram – MFI System

