

This manual provides information on the electrical circuits installed on vehicles by dividing them into a circuit for each system.

The actual wiring of each system circuit is shown from the point where the power source is received from the battery as far as each ground point. (All circuit diagrams are shown with the switches in the OFF position.)

When troubleshooting any problem, first understand the operation of the circuit where the problem was detected (see System Circuit section), the power source supplying power to that circuit (see Power Source section), and the ground points (see Ground Point section). See the System Outline to understand the circuit operation.

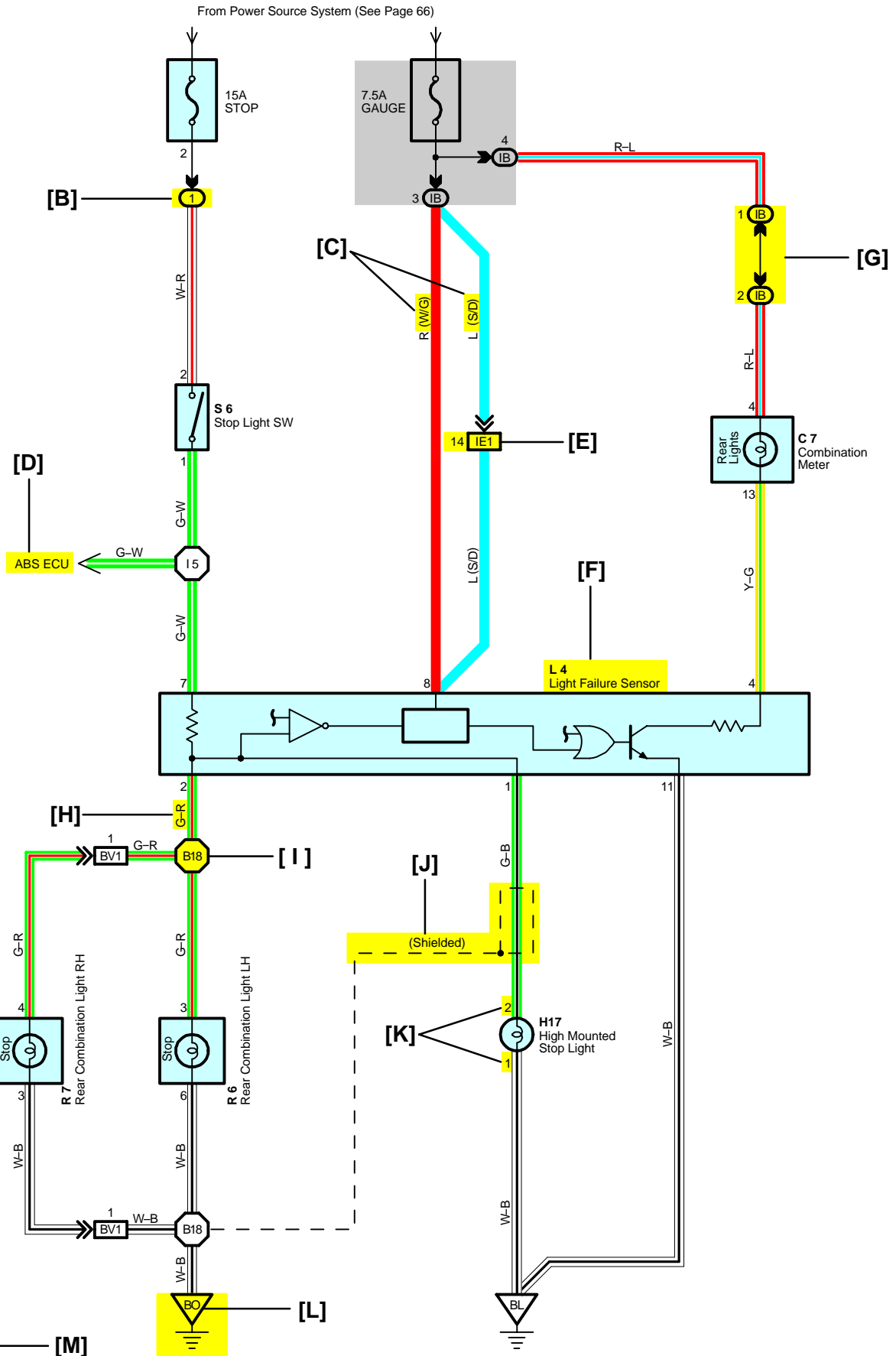
When the circuit operation is understood, begin troubleshooting of the problem circuit to isolate the cause. Use Relay Location and Electrical Wiring Routing sections to find each part, junction block and wiring harness connectors, wiring harness and wiring harness connectors, splice points, and ground points of each system circuit. Internal wiring for each junction block is also provided for better understanding of connection within a junction block.

Wiring related to each system is indicated in each system circuit by arrows (from\_\_, to\_\_). When overall connections are required, see the Overall Electrical Wiring Diagram at the end of this manual.

# B HOW TO USE THIS MANUAL

\* The system shown here is an EXAMPLE ONLY. It is different to the actual circuit shown in the SYSTEM CIRCUITS SECTION.

[A]  
**Stop Light**



**[A]** : System Title

**[B]** : Indicates a Relay Block. No shading is used and only the Relay Block No. is shown to distinguish it from the J/B

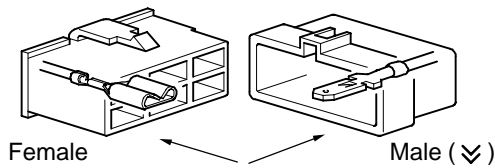
Example: ① Indicates Relay Block No.1

**[C]** : ( ) is used to indicate different wiring and connector, etc. when the vehicle model, engine type, or specification is different.

**[D]** : Indicates related system.

**[E]** : Indicates the wiring harness and wiring harness connector. The wiring harness with male terminal is shown with arrows (↘).

Outside numerals are pin numbers.



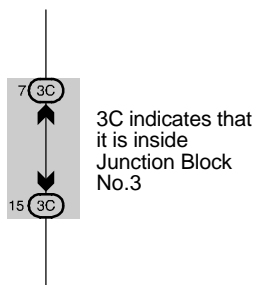
The first letter of the code for each wiring harness and wiring harness connector(s) indicates the component's location, e.g, "E" for the Engine Compartment, "I" for the Instrument Panel and Surrounding area, and "B" for the Body and Surrounding area.

When more than one code has the first and second letters in common, followed by numbers (e.g, IH1, IH2), this indicates the same type of wiring harness and wiring harness connector.

**[F]** : Represents a part (all parts are shown in sky blue). The code is the same as the code used in parts position.

**[G]** : Junction Block (The number in the circle is the J/B No. and the connector code is shown beside it). Junction Blocks are shaded to clearly separate them from other parts.

Example:



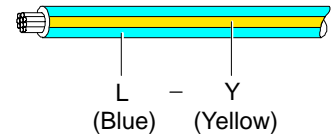
**[H]** : Indicates the wiring color.

Wire colors are indicated by an alphabetical code.

- B = Black    W = White    BR = Brown
- L = Blue    V = Violet    SB = Sky Blue
- R = Red    G = Green    LG = Light Green
- P = Pink    Y = Yellow    GR = Gray
- O = Orange

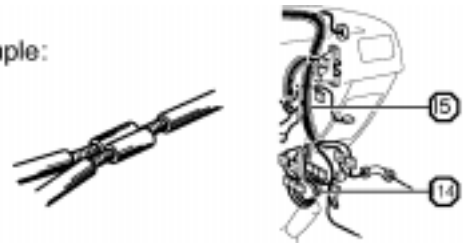
The first letter indicates the basic wire color and the second letter indicates the color of the stripe.

Example: L - Y



**[I]** : Indicates a wiring Splice Point (Codes are "E" for the Engine Room, "I" for the Instrument Panel, and "B" for the Body).

Example:



The Location of splice Point I 5 is indicated by the shaded section.

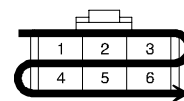
**[J]** : Indicates a shielded cable.



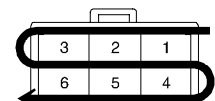
**[K]** : Indicates the pin number of the connector. The numbering system is different for female and male connectors.

Example: Numbered in order from upper left to lower right

Numbered in order from upper right to lower left



Female



Male

**[L]** : Indicates a ground point.

The first letter of the code for each ground point(s) indicates the component's location, e.g, "E" for the Engine Compartment, "I" for the Instrument Panel and Surrounding area, and "B" for the Body and Surrounding area.

**[M]** : Page No.

## B HOW TO USE THIS MANUAL

### [N] System Outline

Current is applied at all times through the STOP fuse to TERMINAL 2 of the stop light SW.  
When the ignition SW is turned on, current flows from the GAUGE fuse to TERMINAL 8 of the light failure sensor, and also flows through the rear lights warning light to TERMINAL 4 of the light failure sensor.

#### Stop Light Disconnection Warning

When the ignition SW is turned on and the brake pedal is pressed (Stop light SW on), if the stop light circuit is open, the current flowing from TERMINAL 7 of the light failure sensor to TERMINALS 1, 2 changes, so the light failure sensor detects the disconnection and the warning circuit of the light failure sensor is activated.

As a result, the current flows from TERMINAL 4 of the light failure sensor to TERMINAL 11 to GROUND and turns the rear lights warning light on. By pressing the brake pedal, the current flowing to TERMINAL 8 of the light failure sensor keeps the warning circuit on and holds the warning light on until the ignition SW is turned off.

### [O] Service Hints

#### S6 Stop Light SW

2-1 : Closed with the brake pedal depressed

#### L4 Light Failure Sensor

1, 2, 7-Ground : Approx. 12 volts with the stop light SW on

4, 8-Ground : Approx. 12 volts with the ignition SW at ON position

11-Ground : Always continuity

### [P] ○ : Parts Location

Code	See Page	Code	See Page	Code	See Page
C7	34	L4	36	R7	37
H17	36	R6	37	S6	35

### [Q] ○ : Relay Blocks

Code	See Page	Relay Blocks (Relay Block Location)
1	18	R/B No.1 (Instrument Panel Brace LH)

### [R] ○ : Junction Block and Wire Harness Connector

Code	See Page	Junction Block and Wire Harness (Connector Location)
IB	20	Instrument Panel Wire and Instrument Panel J/B (Lower Finish Panel)
3C	22	Instrument Panel Wire and J/B No.3 (Instrument Panel Brace LH)

### [S] □ : Connector Joining Wire Harness and Wire Harness

Code	See Page	Joining Wire Harness and Wire Harness (Connector Location)
IE1	42	Floor Wire and Instrument Panel Wire (Left Kick Panel)
BV1	50	Luggage Room Wire and Floor Wire (Luggage Room Left)

### [T] ▽ : Ground Points

Code	See Page	Ground Points Location
BL	50	Under the Left Center Pillar
BO	50	Back Panel Center

### [U] ○ : Splice Points

Code	See Page	Wire Harness with Splice Points	Code	See Page	Wire Harness with Splice Points
I5	44	Cowl Wire	B18	50	Luggage Room Wire

**[N]** : Explains the system outline.

**[O]** : Indicates values or explains the function for reference during troubleshooting.

**[P]** : Indicates the reference page showing the position on the vehicle of the parts in the system circuit.

Example : Part "L4" (Light Failure Sensor) is on page 36 of the manual.

\* The letter in the code is from the first letter of the part, and the number indicates its order in parts starting with that letter.

Example : L 4  
└──┬──┘ Parts is 4th in order  
└──┬──┘ Light Failure Sensor

**[Q]** : Indicates the reference page showing the position on the vehicle of Relay Block Connectors in the system circuit.

Example : Connector "1" is described on page 18 of this manual and is installed on the left side of the instrument panel.

**[R]** : Indicates the reference page showing the position on the vehicle of J/B and Wire Harness in the system circuit.

Example : Connector "3C" connects the Instrument Panel Wire and J/B No.3. It is described on page 22 of this manual, and is installed on the instrument panel left side.

**[S]** : Indicates the reference page describing the wiring harness and wiring harness connector (the female wiring harness is shown first, followed by the male wiring harness).

Example : Connector "IE1" connects the floor wire (female) and Instrument panel wire (male). It is described on page 42 of this manual, and is installed on the left side kick panel.

**[T]** : Indicates the reference page showing the position of the ground points on the vehicle.

Example : Ground point "BO" is described on page 50 of this manual and is installed on the back panel center.

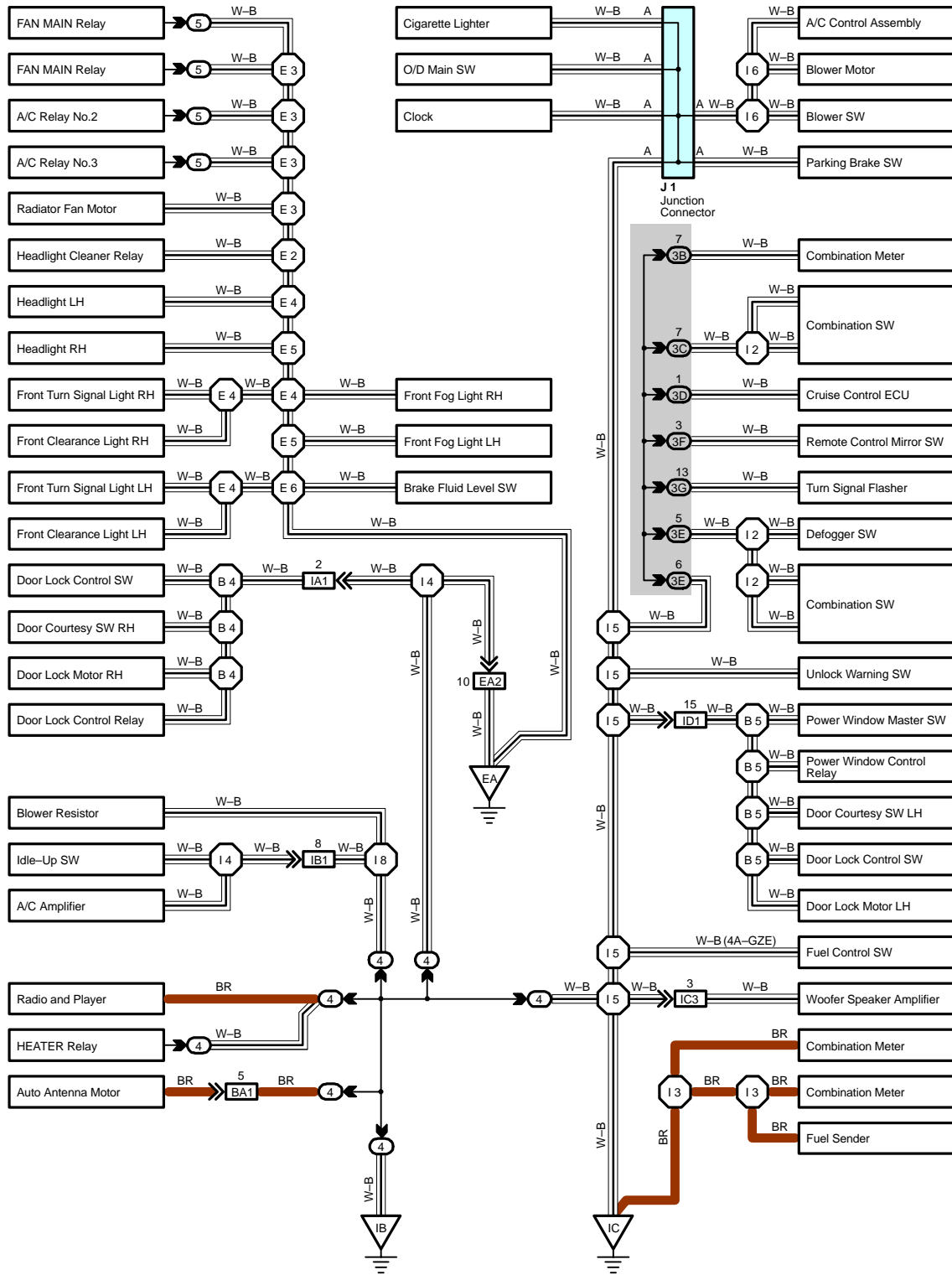
**[U]** : Indicates the reference page showing the position of the splice points on the vehicle.

Example : Splice point "I5" is on the Cowl Wire Harness and is described on page 44 of this manual.

# B HOW TO USE THIS MANUAL

The ground points circuit diagram shows the connections from all major parts to the respective ground points. When troubleshooting a faulty ground point, checking the system circuits which use a common ground may help you identify the problem ground quickly. The relationship between ground points (  $\nabla_{EA}$ ,  $\nabla_{IB}$  and  $\nabla_{IC}$  shown below) can also be checked this way.

## I GROUND POINT

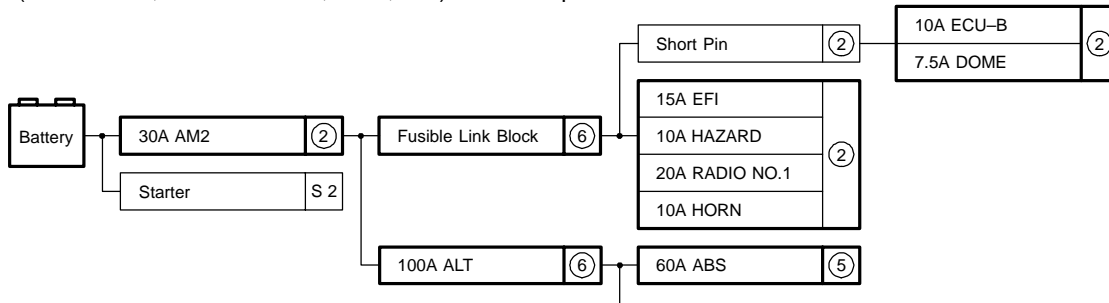


\* The system shown here is an EXAMPLE ONLY. It is different to the actual circuit shown in the SYSTEM CIRCUITS SECTION.

The "Current Flow Chart" section, describes which parts each power source (fuses, fusible links, and circuit breakers) transmits current to. In the Power Source circuit diagram, the conditions when battery power is supplied to each system are explained. Since all System Circuit diagrams start from the power source, the power source system must be fully understood.

### J POWER SOURCE (Current Flow Chart)

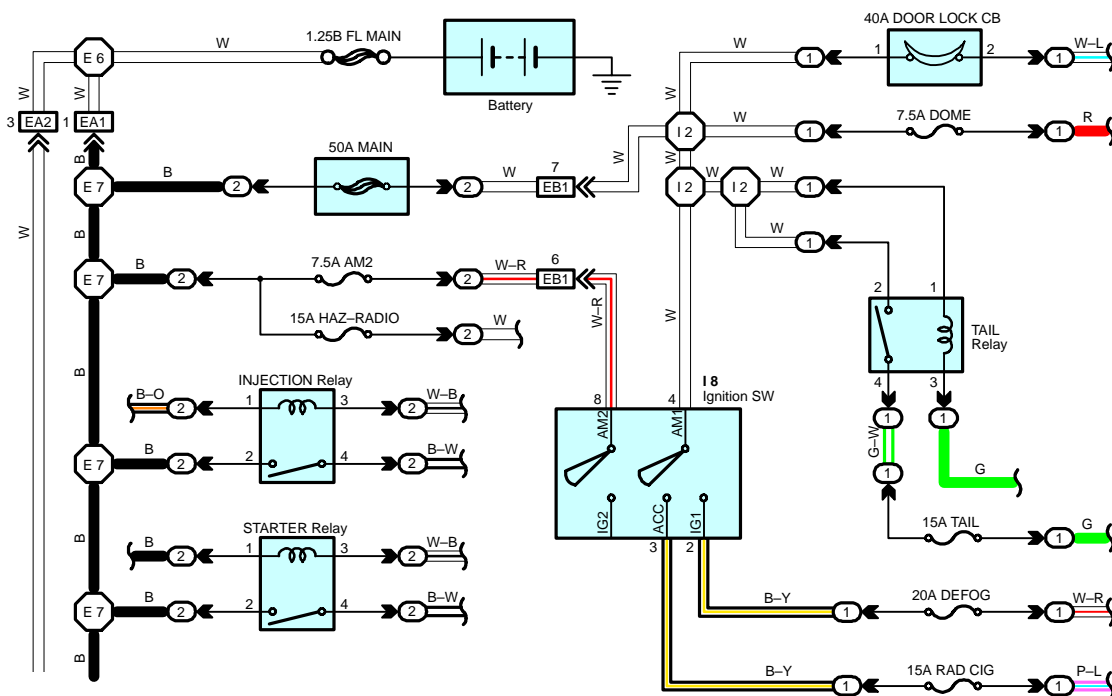
The chart below shows the route by which current flows from the battery to each electrical source (Fusible Link, Circuit Breaker, Fuse, etc.) and other parts.



### Engine Room R/B (See Page 20)

Fuse	System	Page
20A STOP	ABS	194
	ABS and Traction Control	187
	Cruise Control	180
	Electronically Controlled Transmission	166
	Multiplex Communication System	210
10A DOME	Cigarette Lighter	214
	Combination Meter	230
	Headlight	112
	Interior Light	122
	Key Reminder and Seat Belt Warning	
	Light Auto Turn Off	

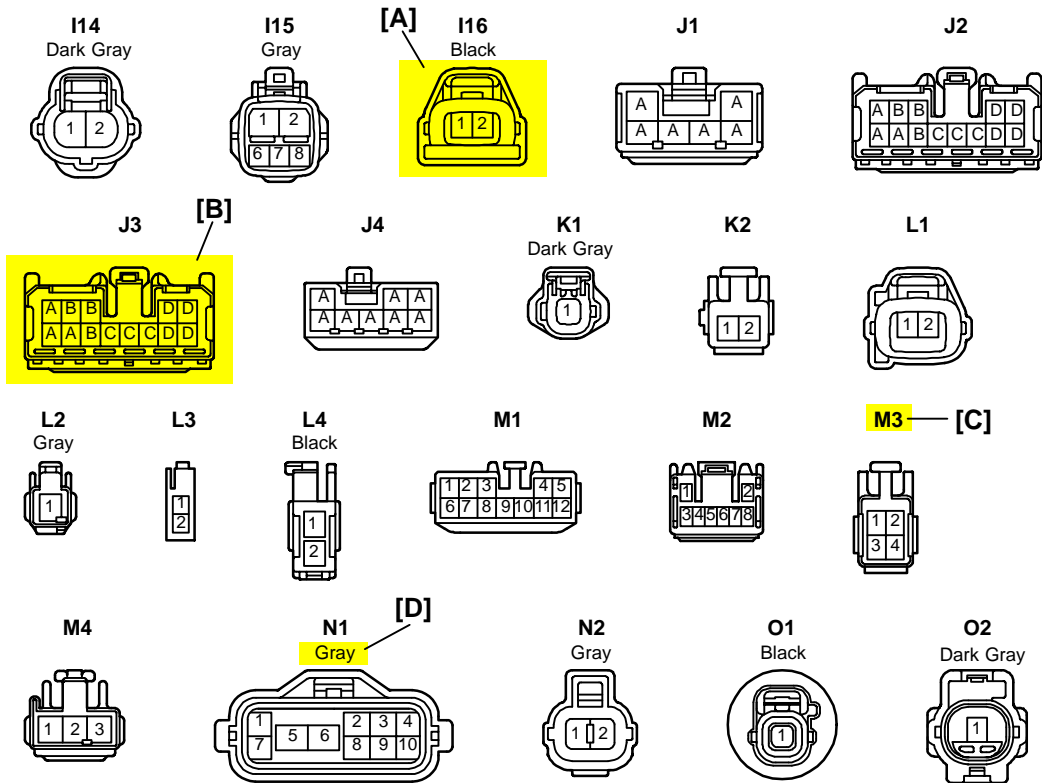
### Power Source



\* The system shown here is an EXAMPLE ONLY. It is different to the actual circuit shown in the SYSTEM CIRCUITS SECTION.

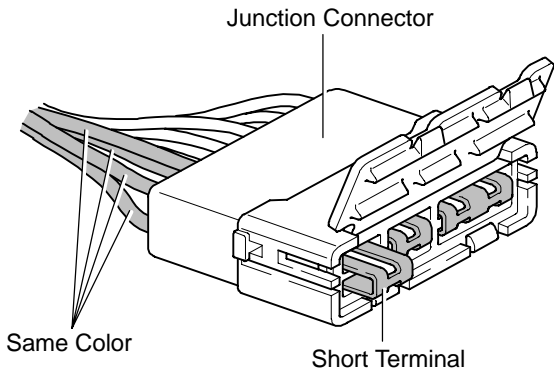
# B HOW TO USE THIS MANUAL

## K CONNECTOR LIST



**[A]** : Indicates connector to be connected to a part. (The numeral indicates the pin No.)

**[B]** : Junction Connector  
Indicates a connector which is connected to a short terminal.



Junction connector in this manual include a short terminal which is connected to a number of wire harnesses. Always perform inspection with the short terminal installed. (When installing the wire harnesses, the harnesses can be connected to any position within the short terminal grouping. Accordingly, in other vehicles, the same position in the short terminal may be connected to a wire harness from a different part.)  
Wire harness sharing the same short terminal grouping have the same color.

**[C]** : Parts Code  
The first letter of the code is taken from the first letter of part, and the numbers indicates its order in parts which start with the same letter.

**[D]** : Connector Color  
Connectors not indicated are milky white in color.



## L PART NUMBER OF CONNECTORS

Code	Part Name	Part Number	Code	Part Name	Part Number
A 1	A/C Ambient Temp. Sensor	90980-11070	D 4	Diode (Courtesy)	90980-11608
A 2	A/C Condenser Fan Motor	90980-11237	D 5	Diode (Interior Light)	90980-10962
A 3	A/C Condenser Fan Relay	90980-10940	D 6	Diode (Moon Roof)	90980-11608
A 4	A/C Condenser Fan Resistor	90980-10928	D 7	Door Lock Control Relay	90980-10848
A 5	A/C Magnetic Clutch	90980-11271	D 8	Door Lock Control SW LH	90980-11148
A 6	A/T Oil Temp. Sensor	90980-11413	D 9	Door Lock Control SW RH	
[A]	ABS Actuator [B]	90980-151	D10	Door Courtesy SW LH	90980-11097
A 8	ABS Actuator	90980-11009	D11	Door Courtesy SW RH	
A 9	ABS Speed Sensor Front LH	90980-10941	D12	Door Courtesy SW Front LH	90980-11156
A10	ABS Speed Sensor Front RH	90980-11002	D13	Door Courtesy SW Front RH	
A11	Airbag Sensor Front LH	90980-11856	D14	Door Courtesy SW Rear LH	
A12	Airbag Sensor Front RH		D15	Door Courtesy SW Rear RH	
A13	Airbag Sensor Front LH	90980-11194	D16	Door Lock and Unlock SW LH	90980-11170
		90980-11194		Door Lock and Unlock SW RH	

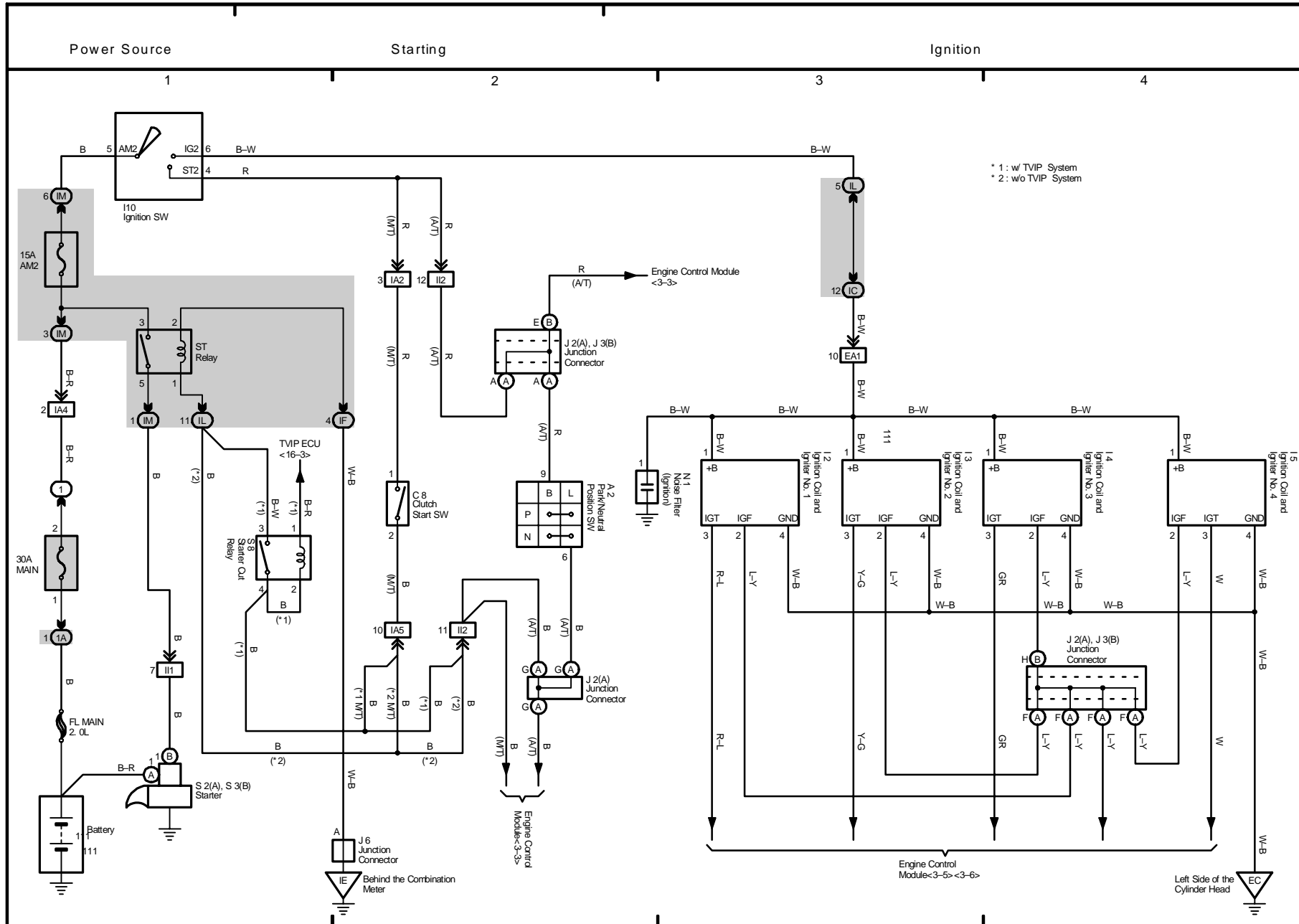
**[A]** : Part Code

**[B]** : Part Name

**[C]** : Part Number  
Toyota Part Number are indicated.

Not all of the above part numbers of the connector are established for the supply.

1 COROLLA

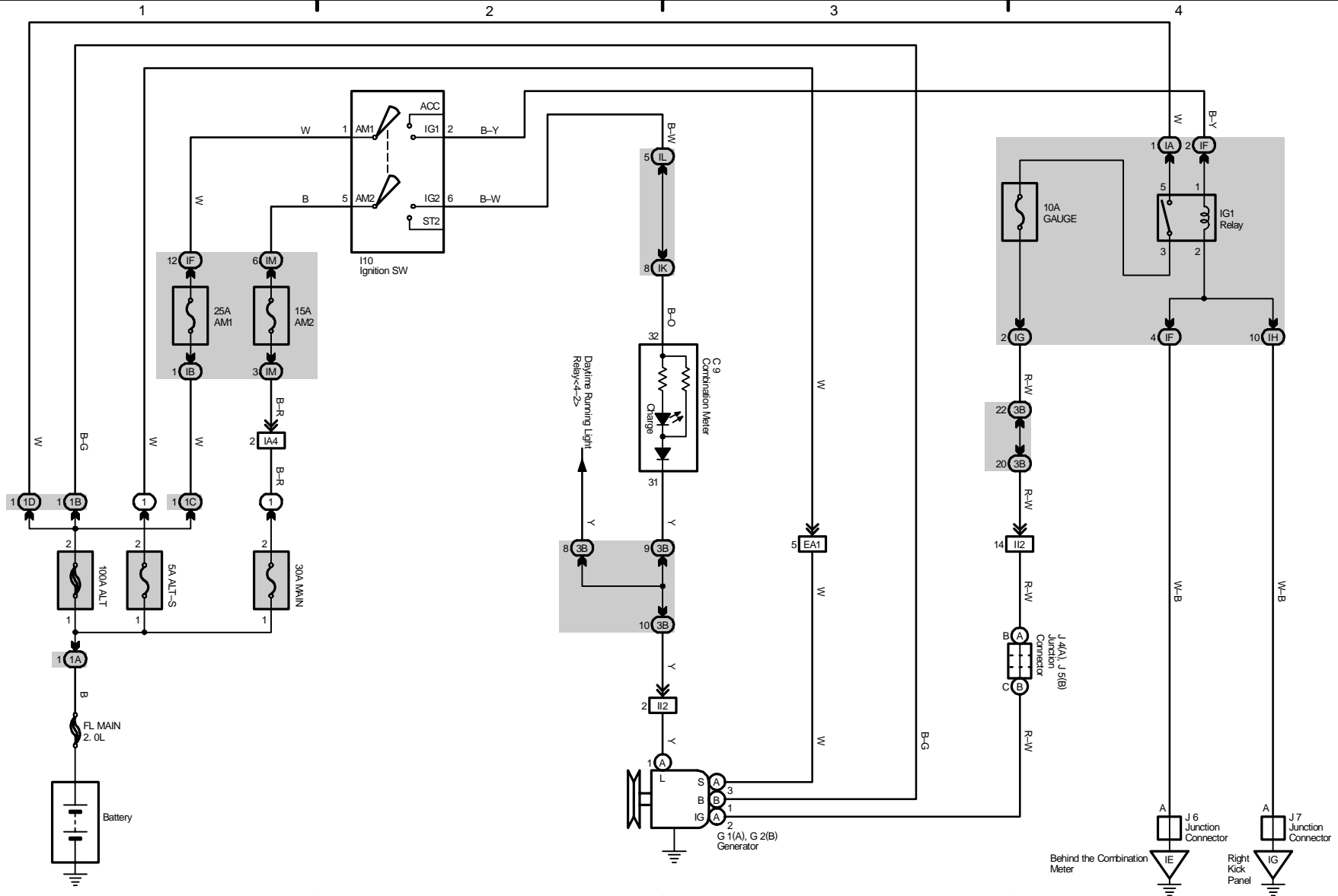


2004 COROLLA (EWDS33U)

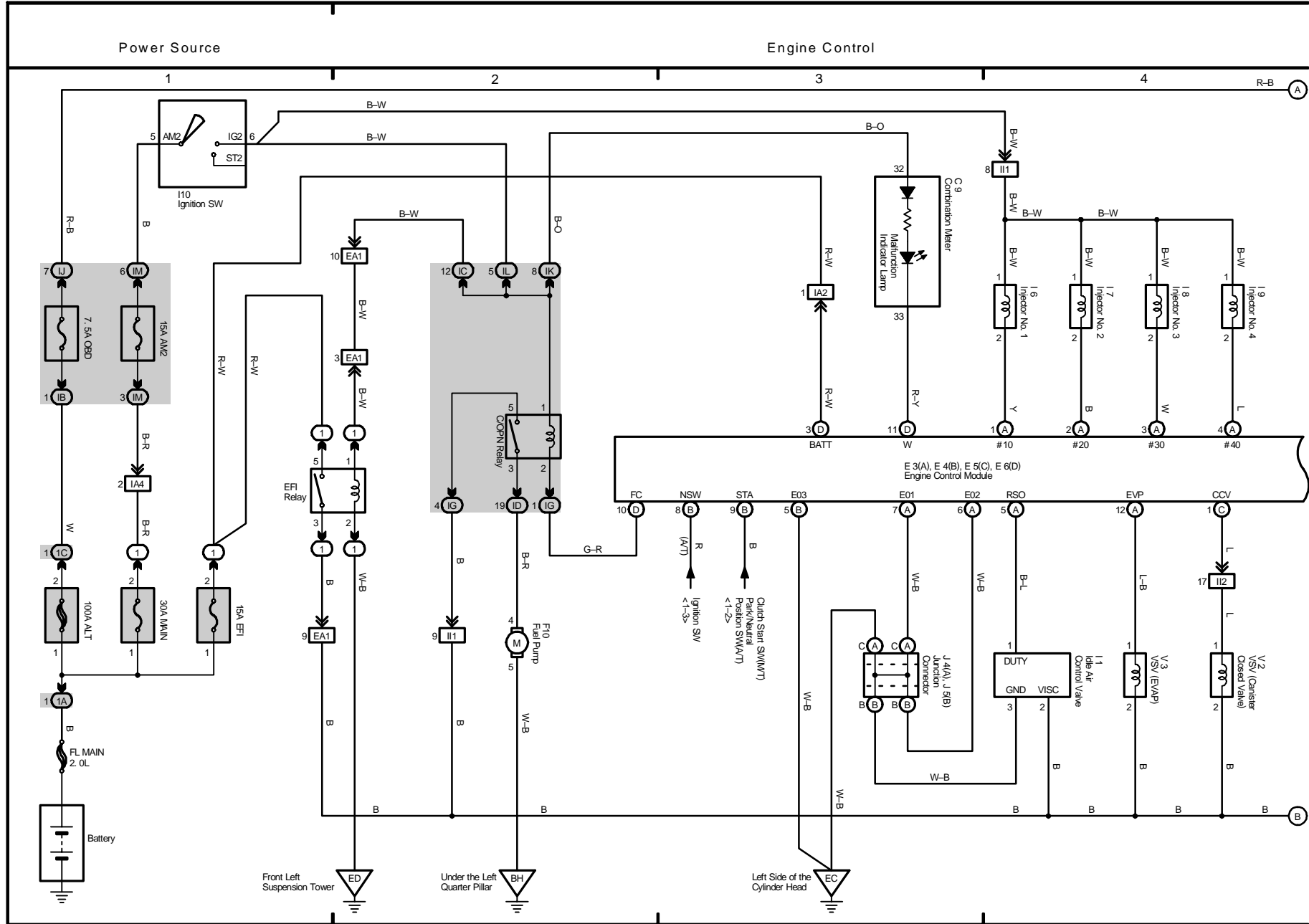
2 COROLLA

Power Source

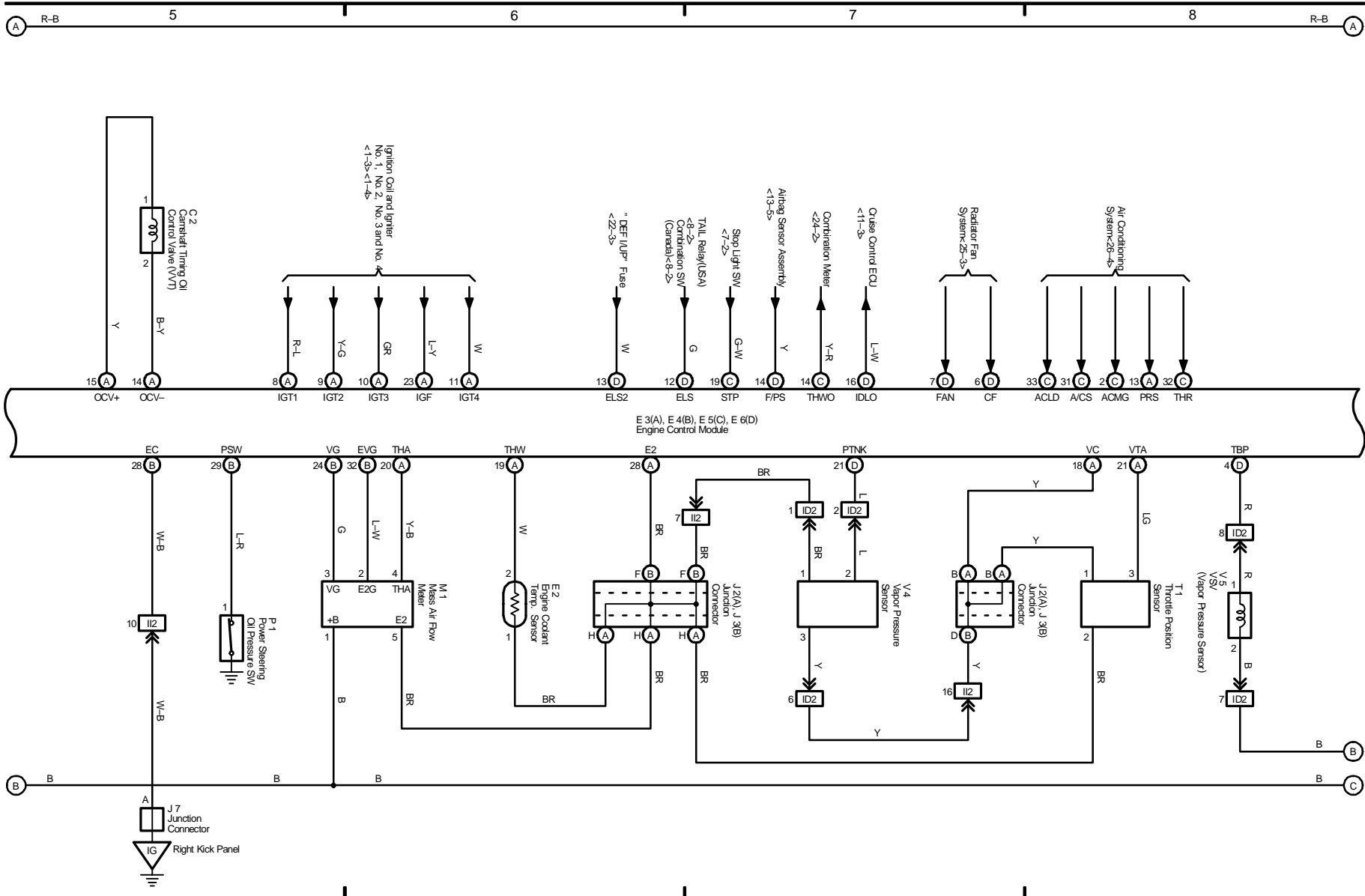
Charging



2004 COROLLA (EWDS33U)

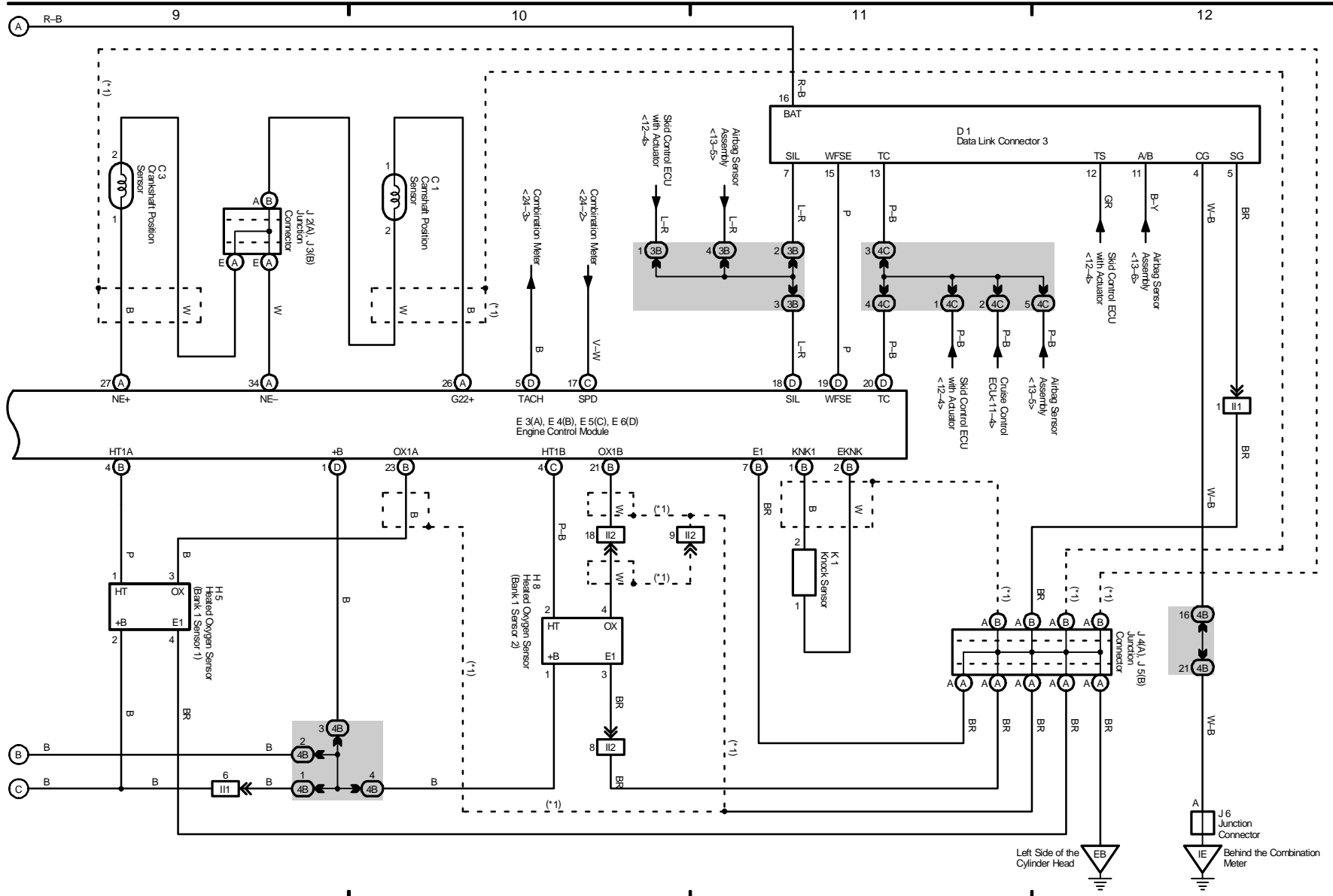


Engine Control

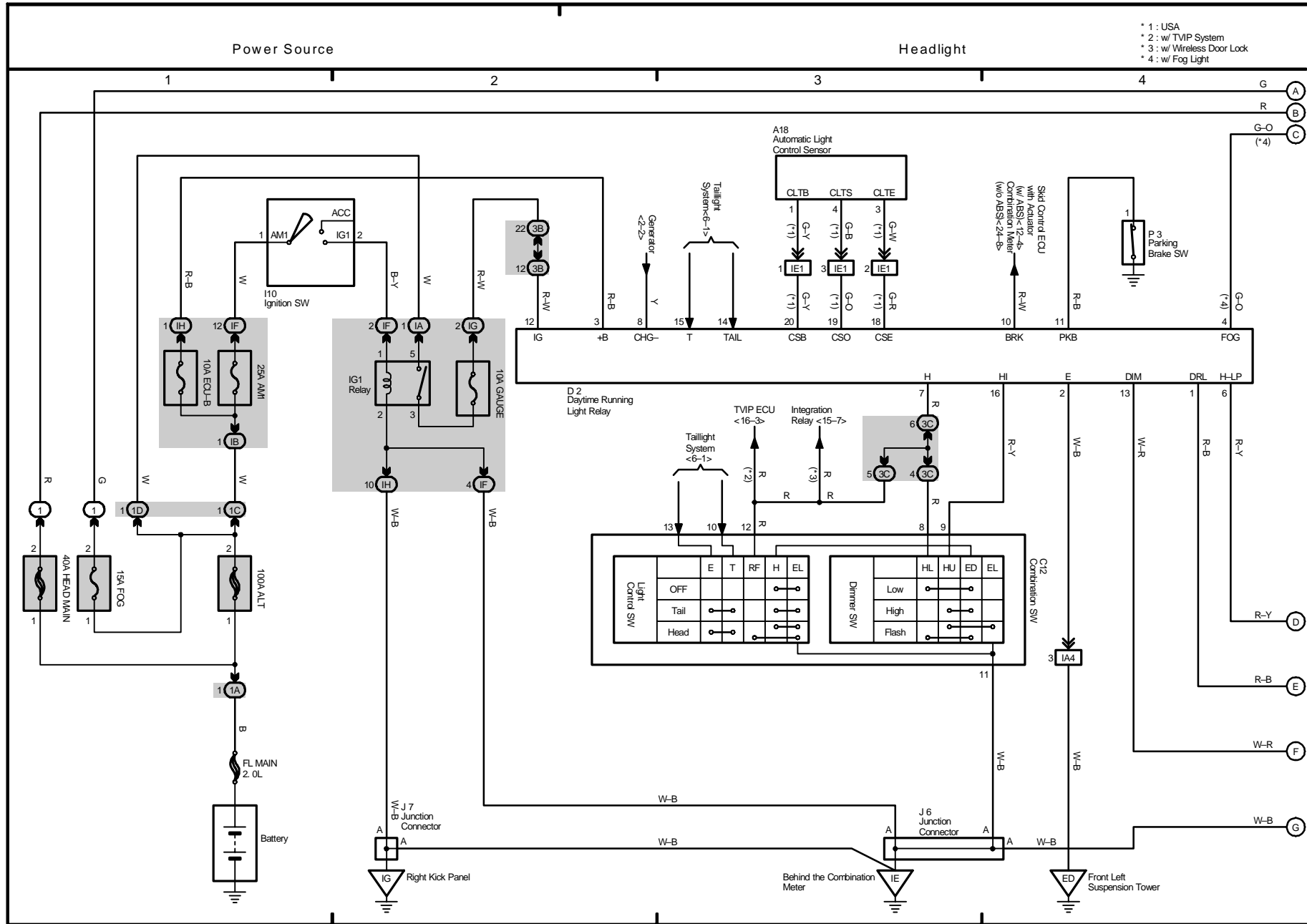


Engine Control

\* 1: Shielded

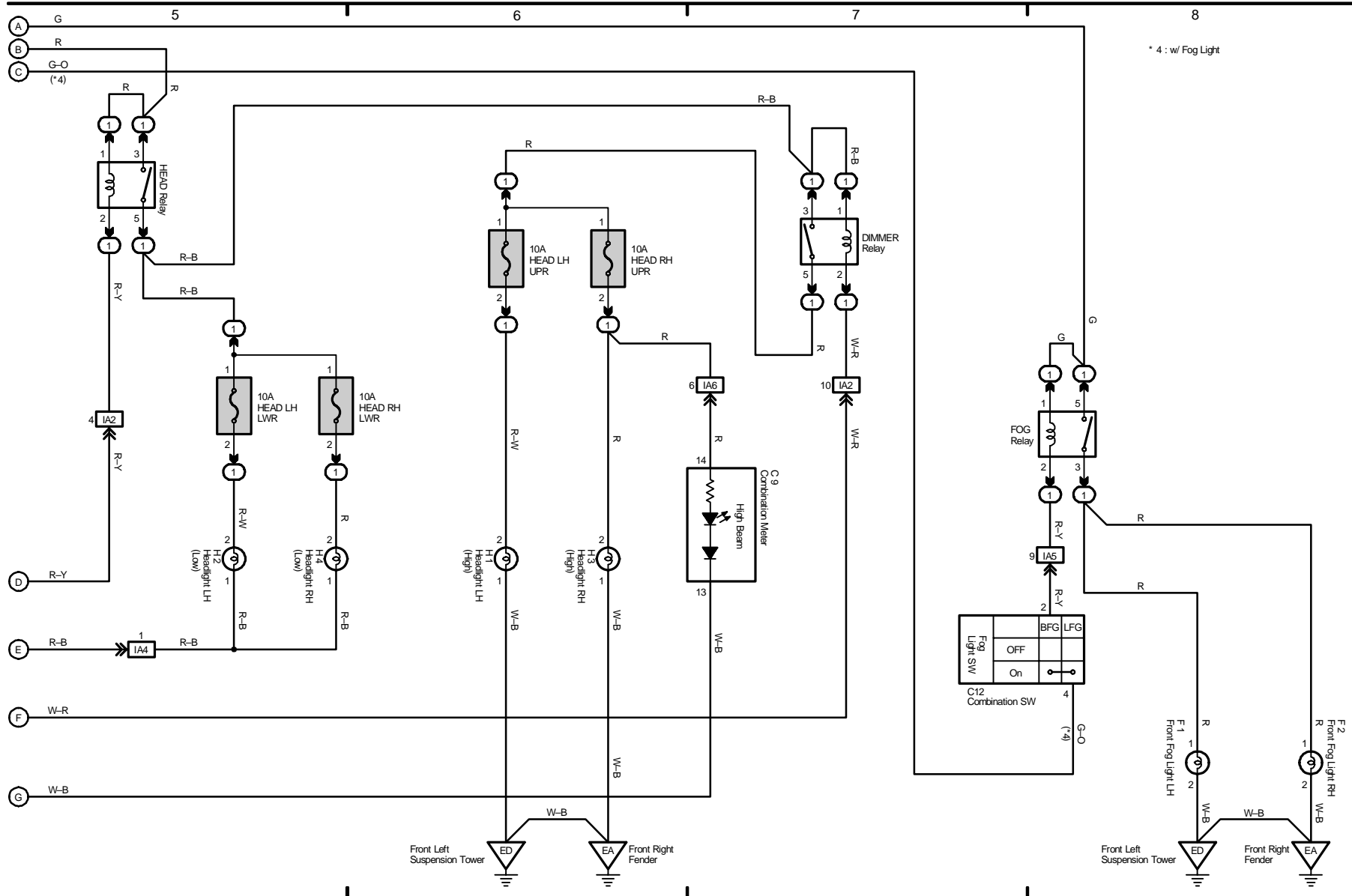


2004 COROLLA (EWDS33U)



Headlight

Fog Light



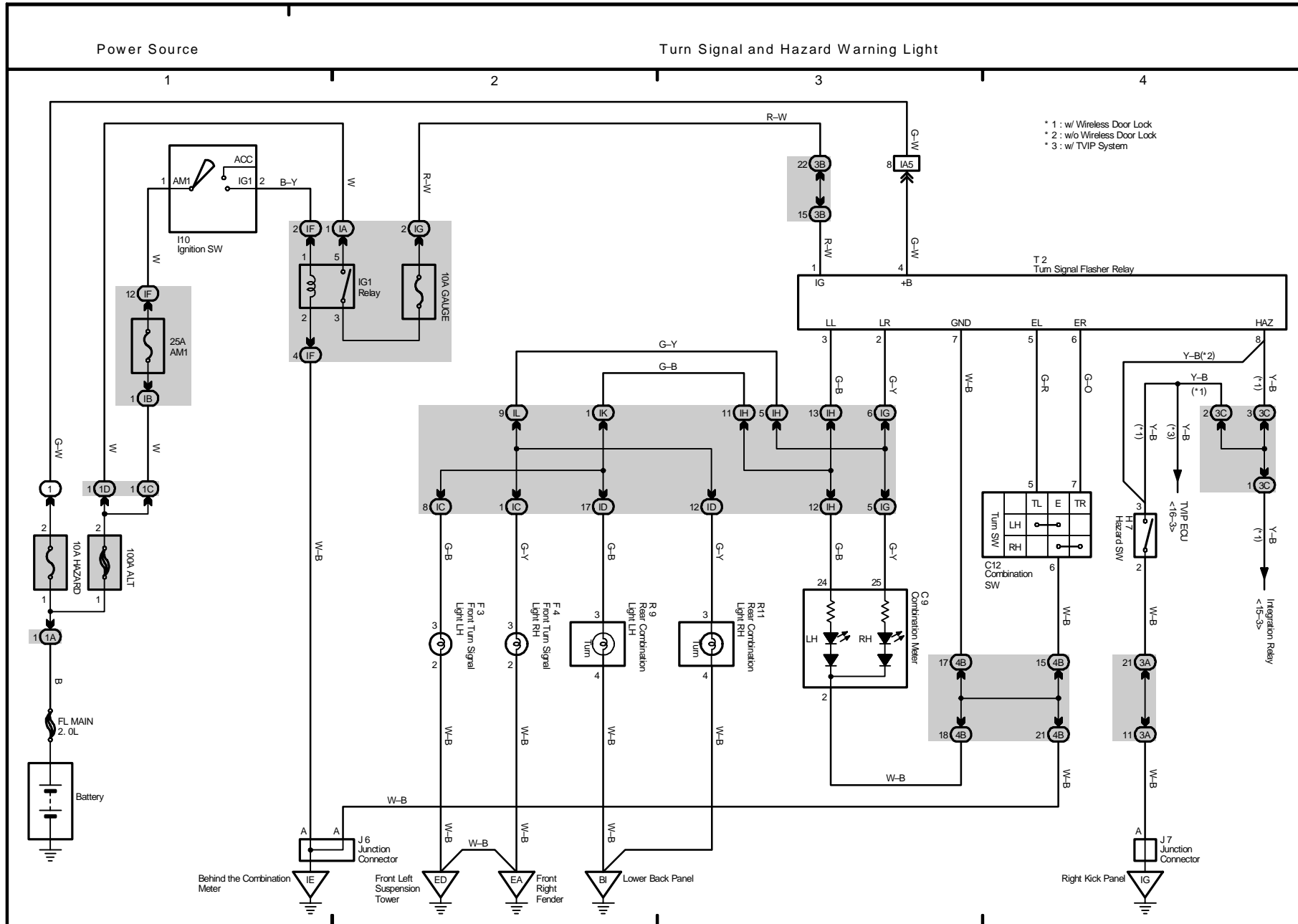
2004 COROLLA (EMDS33U)

\* 4 : w/ Fog Light



5 COROLLA

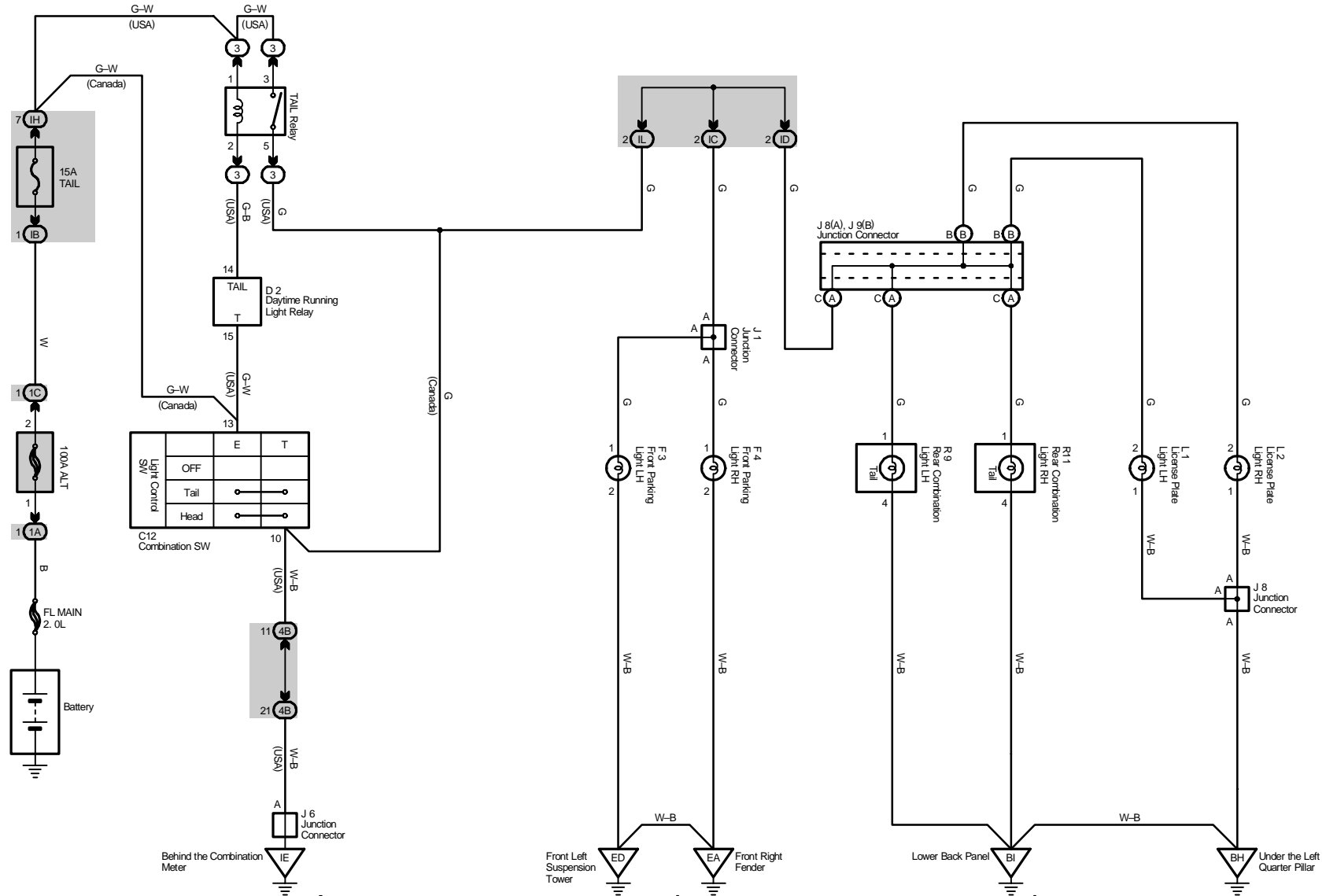
2004 COROLLA (EWDS33U)



6 COROLLA

Power Source

Taillight



7 COROLLA

Power Source

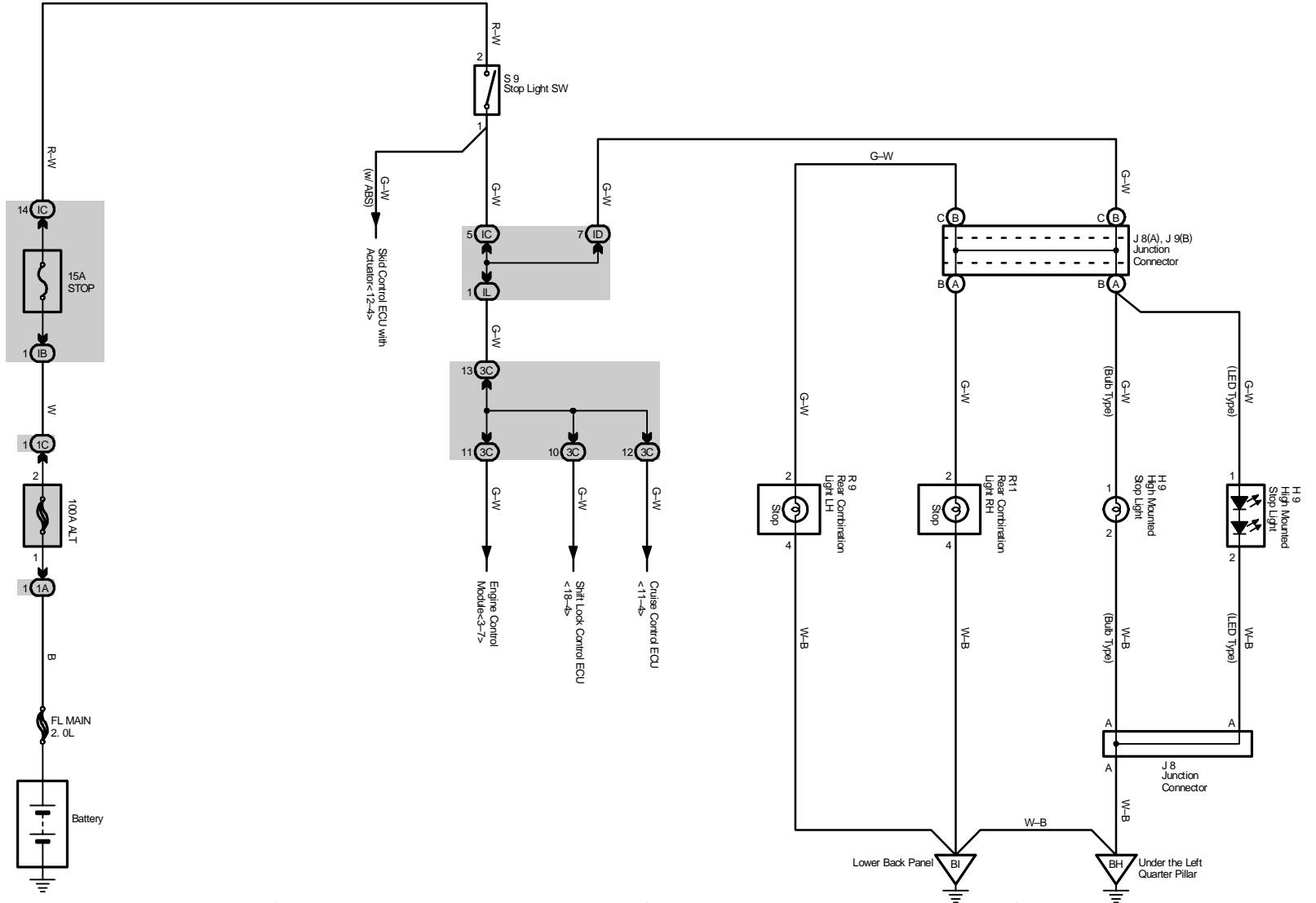
Stop Light

1

2

3

4

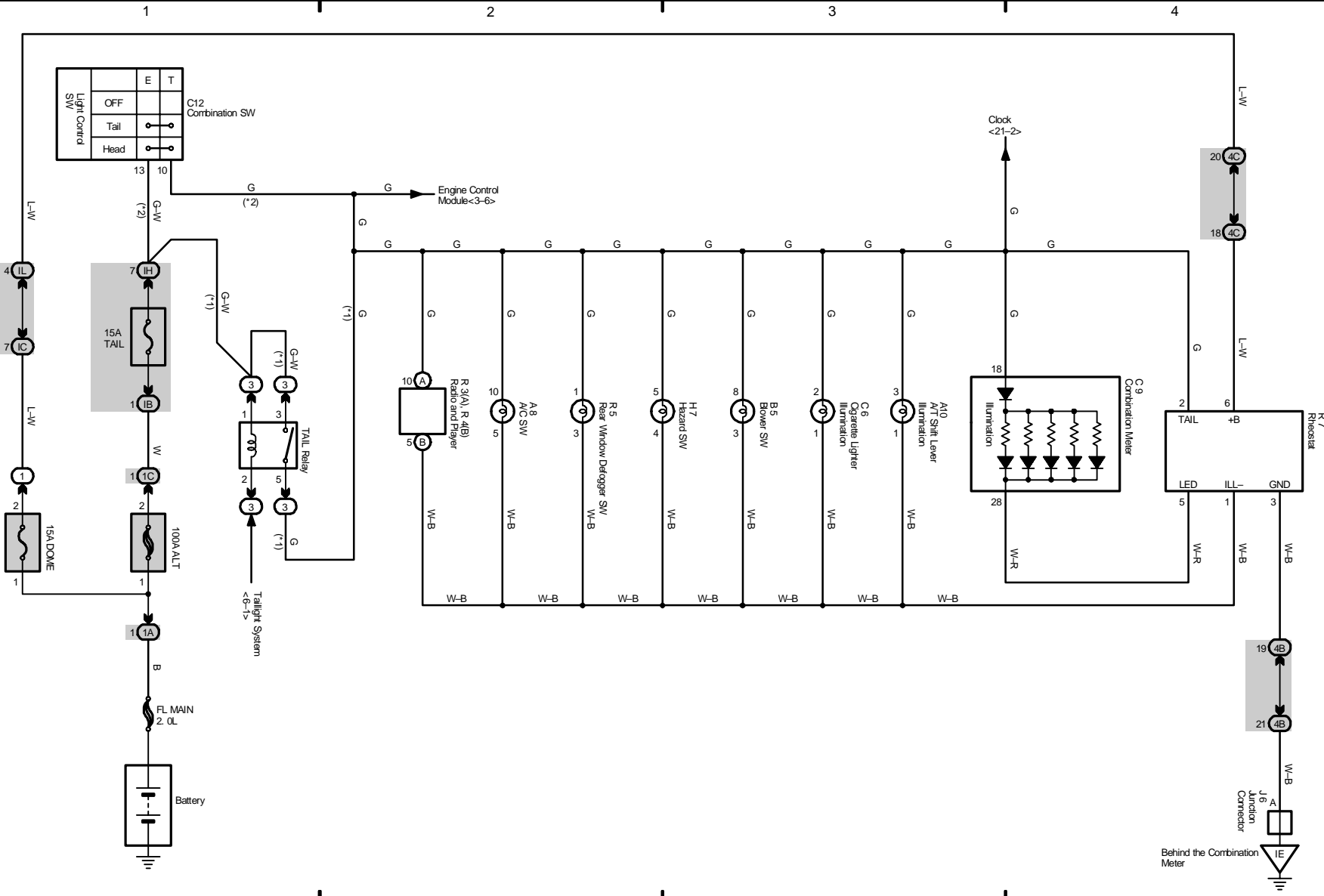


8 COROLLA

Power Source

Illumination

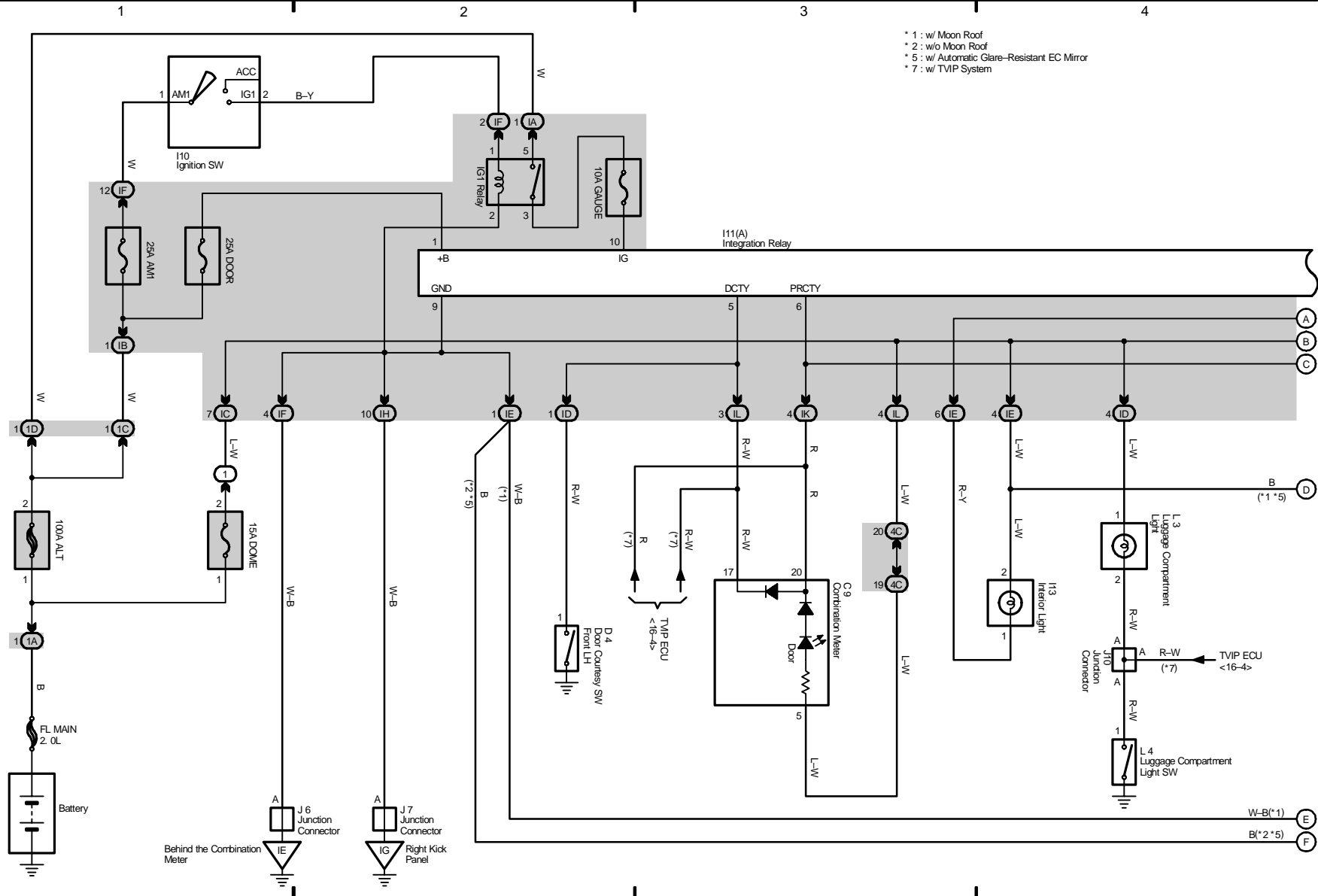
\* 1: USA  
\* 2: Canada



2004 COROLLA (EWDS33U)

Power Source

Interior Light

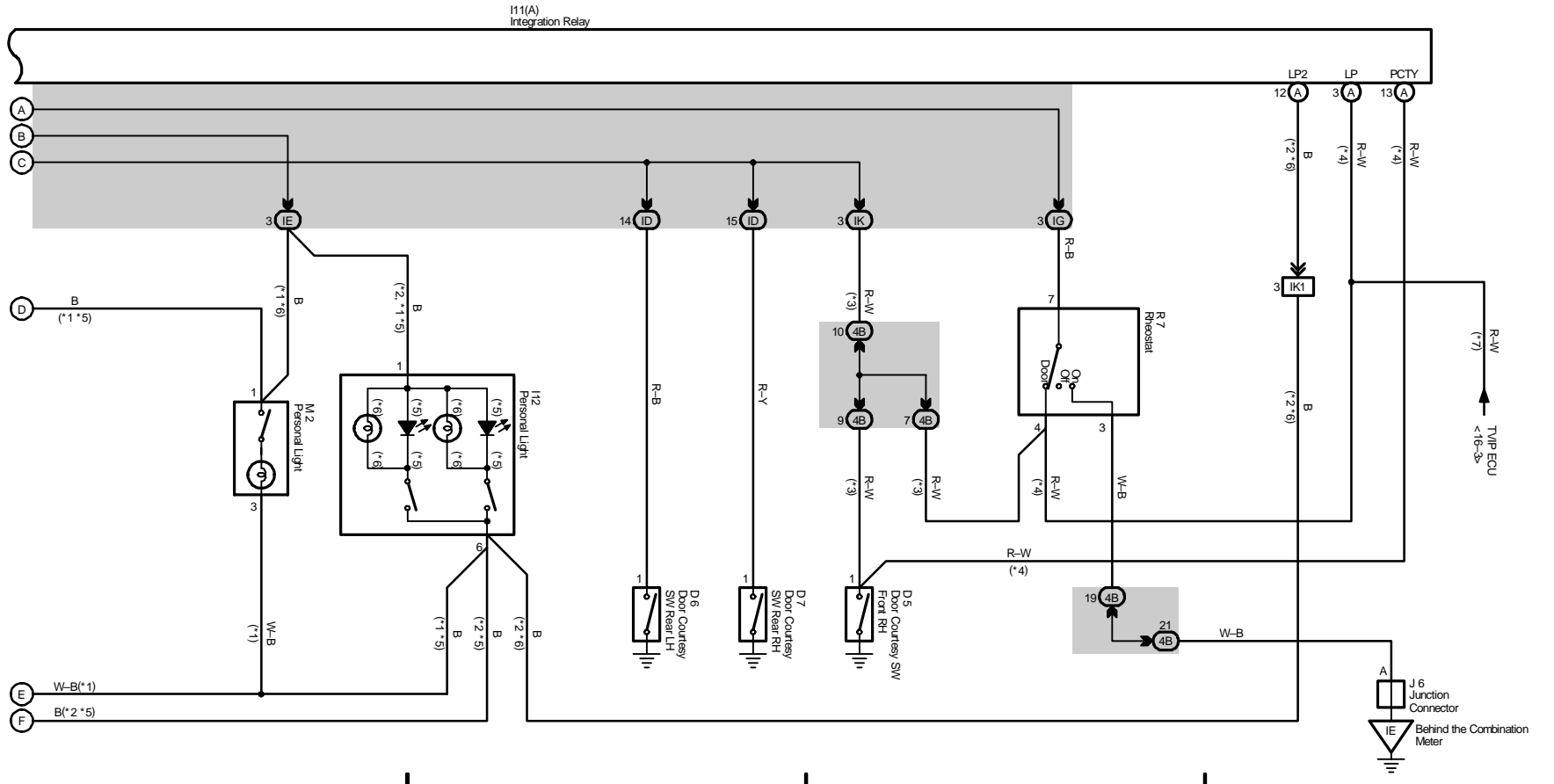


- \* 1 : w/ Moon Roof
- \* 2 : w/o Moon Roof
- \* 5 : w/ Automatic Glare-Resistant EC Mirror
- \* 7 : w/ TVIP System

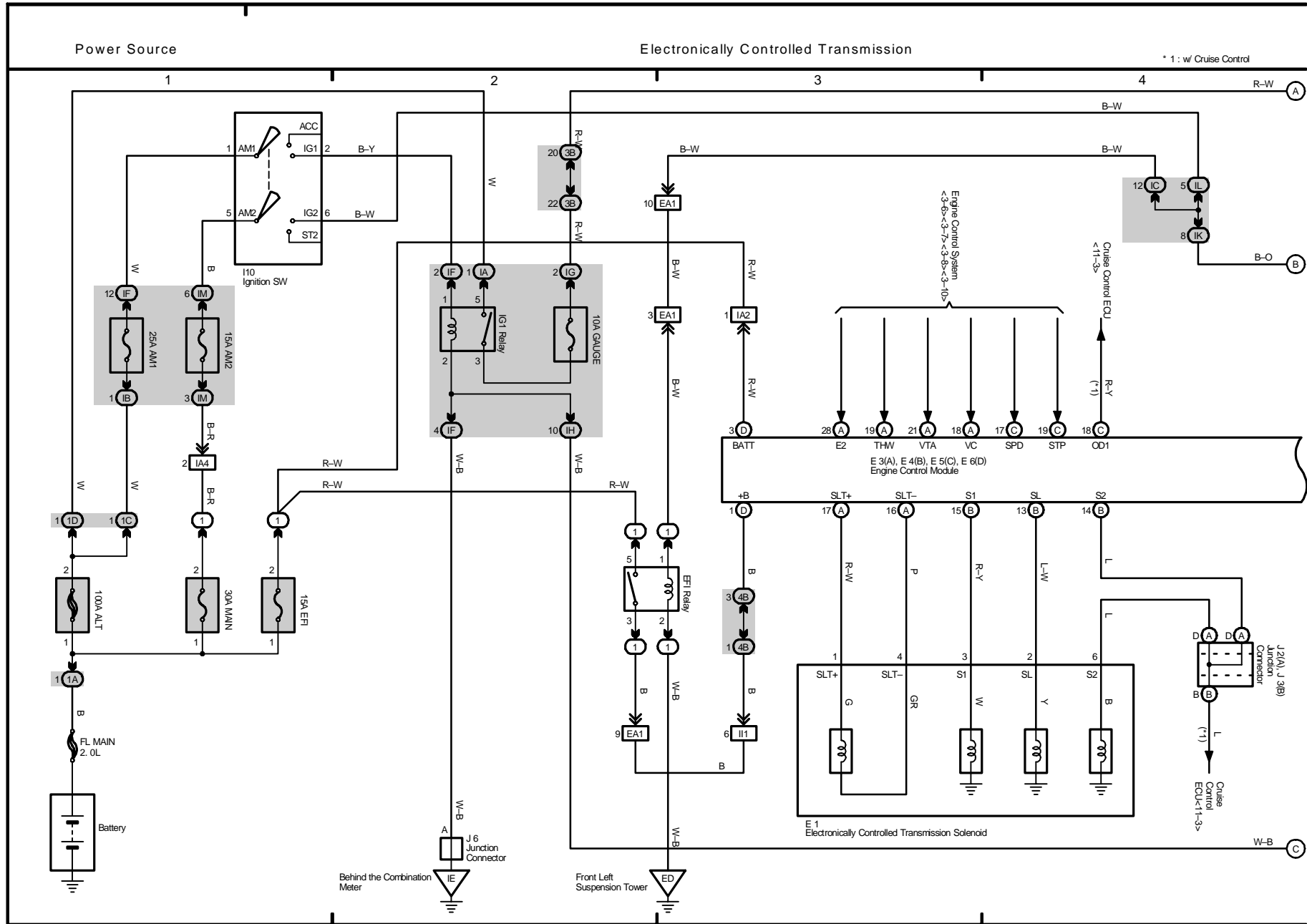
2004 COROLLA (EWDS33U)

Interior Light

- \* 1 : w/ Moon Roof
- \* 2 : w/o Moon Roof
- \* 3 : w/o Door Lock Control
- \* 4 : w/ Door Lock Control
- \* 5 : w/ Automatic Glare-Resistant EC Mirror
- \* 6 : w/o Automatic Glare-Resistant EC Mirror
- \* 7 : w/ TVIP System

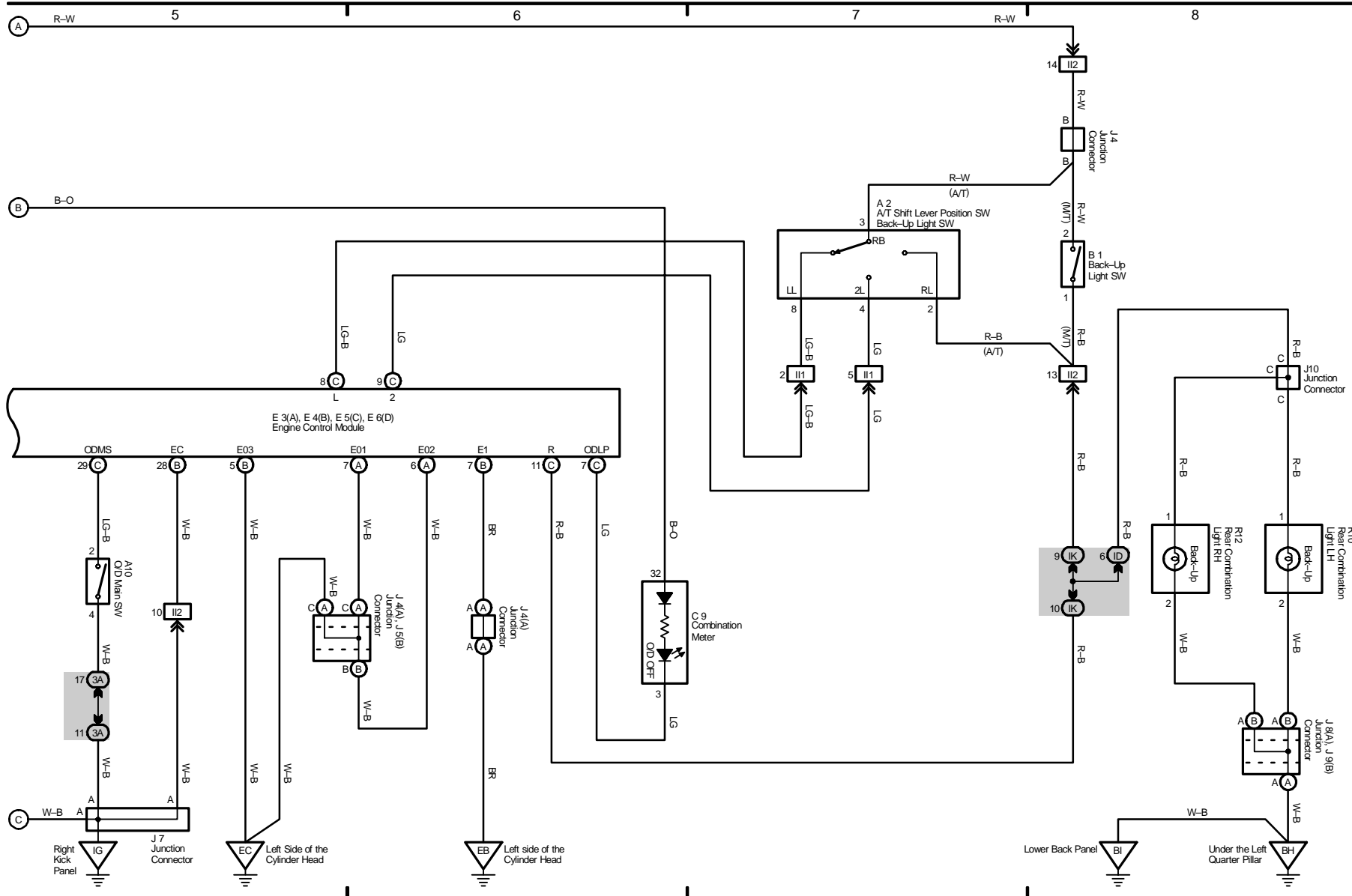


2004 COROLLA (EWDS33U)

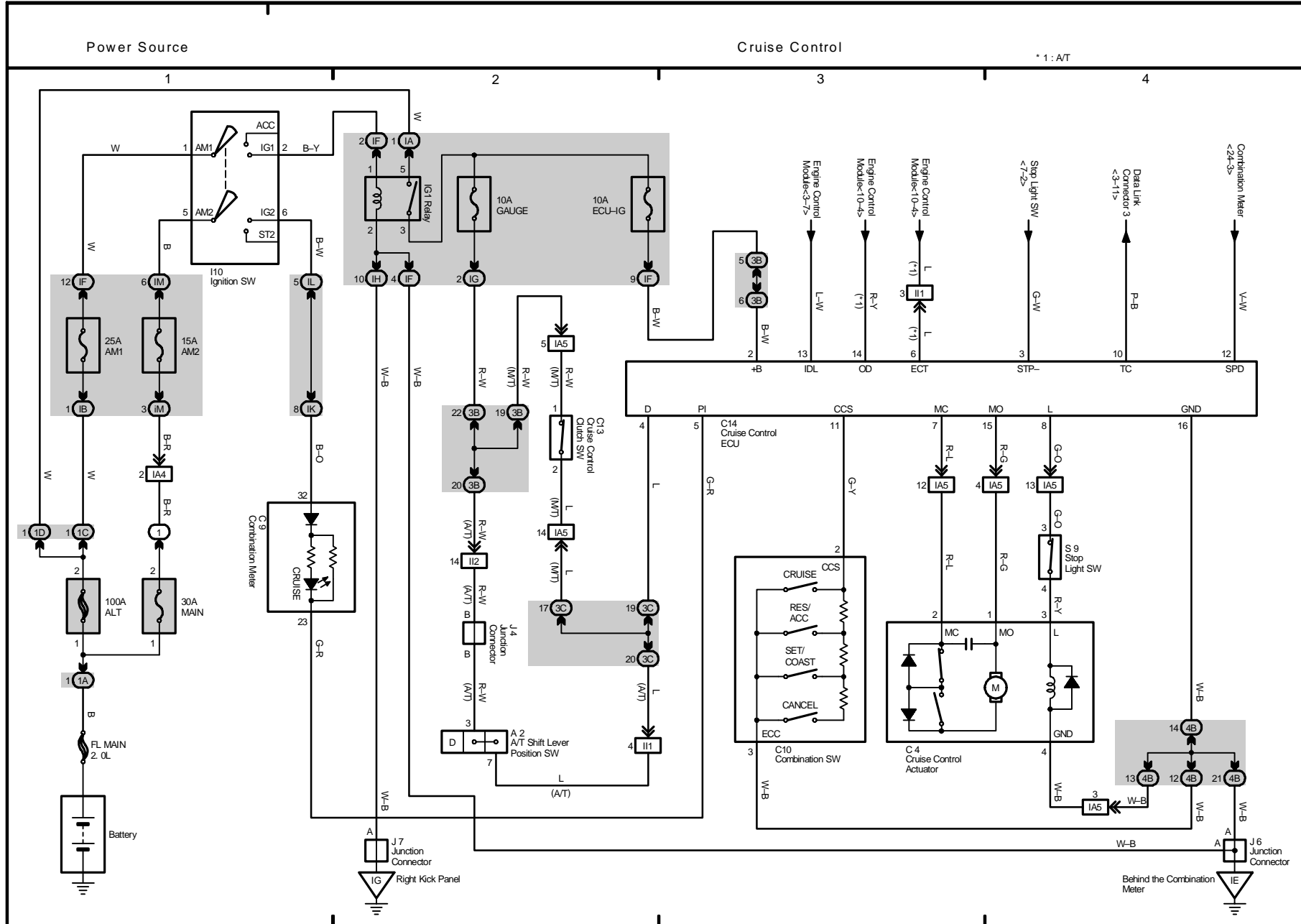


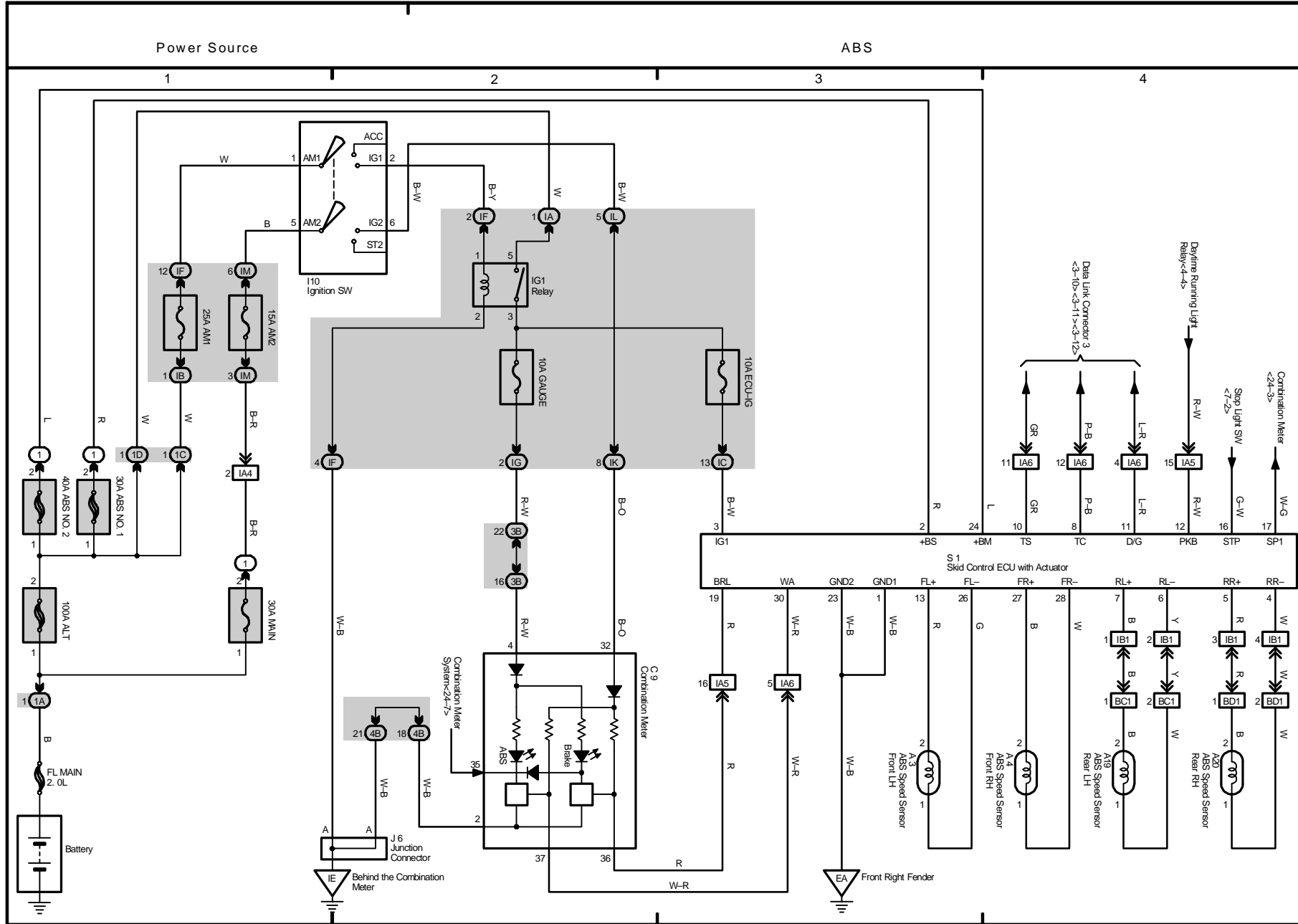
Electronically Controlled Transmission

Back-Up Light





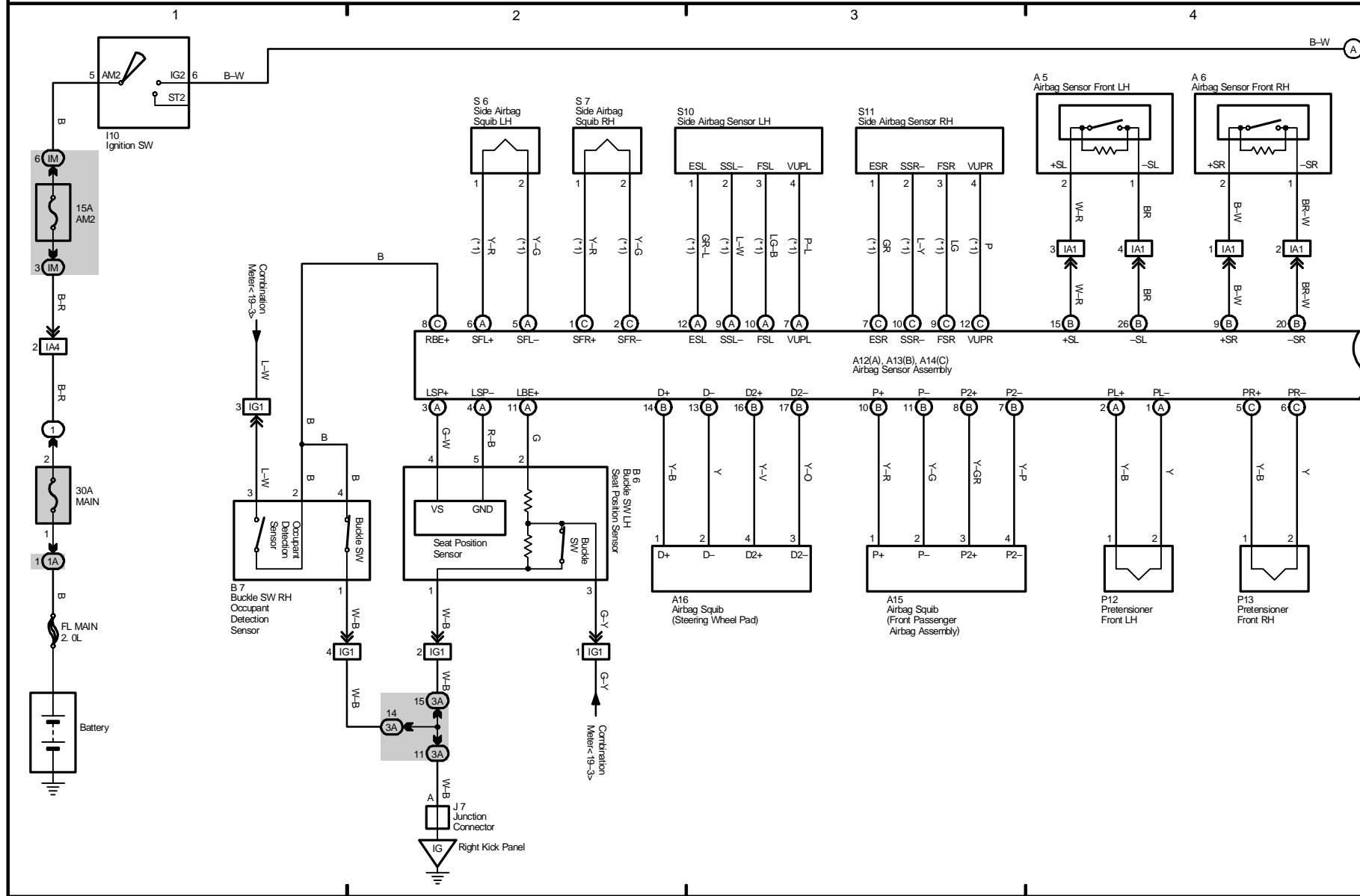




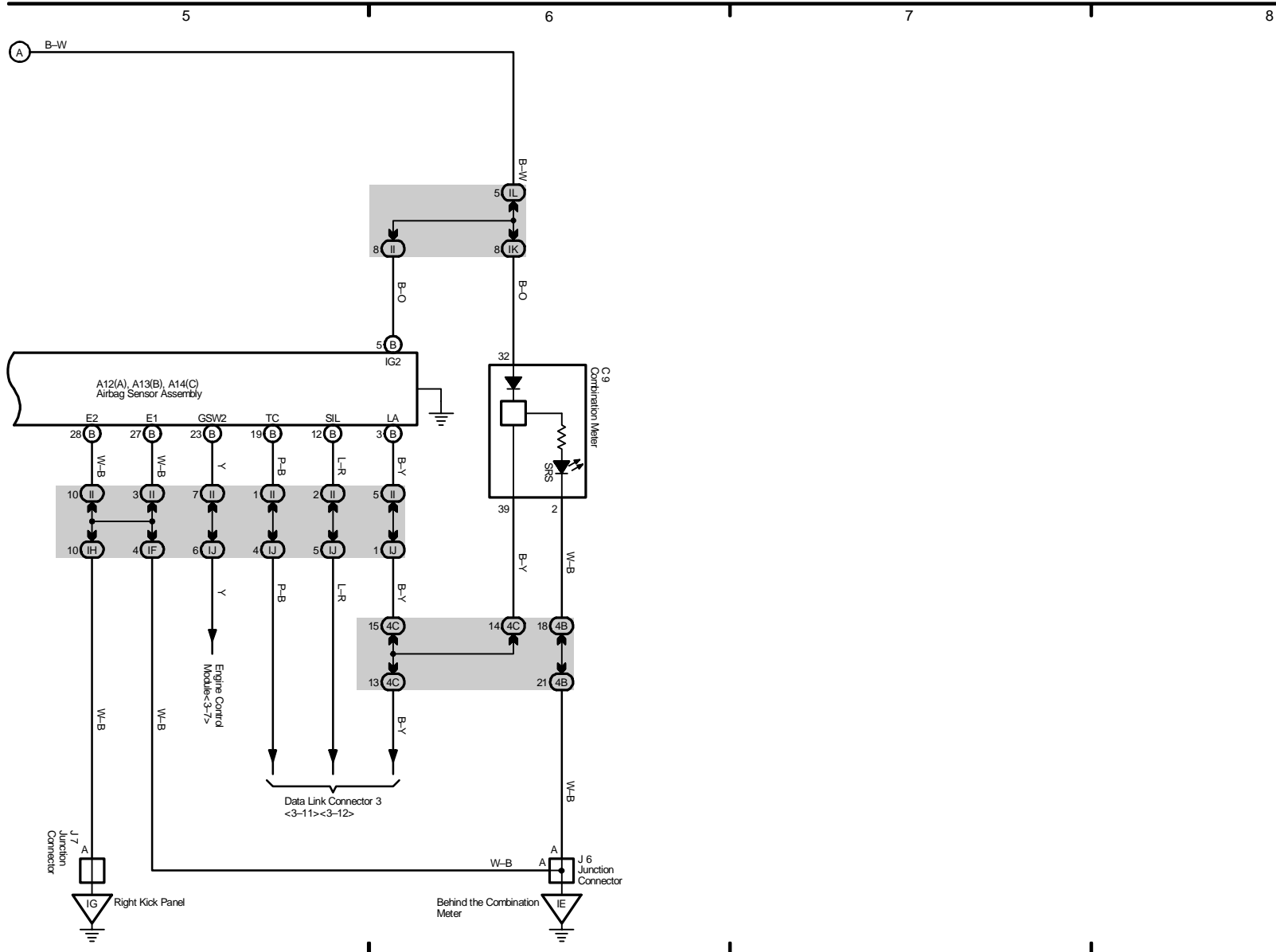
Power Source

SRS

\* 1 : w/ Side Airbag



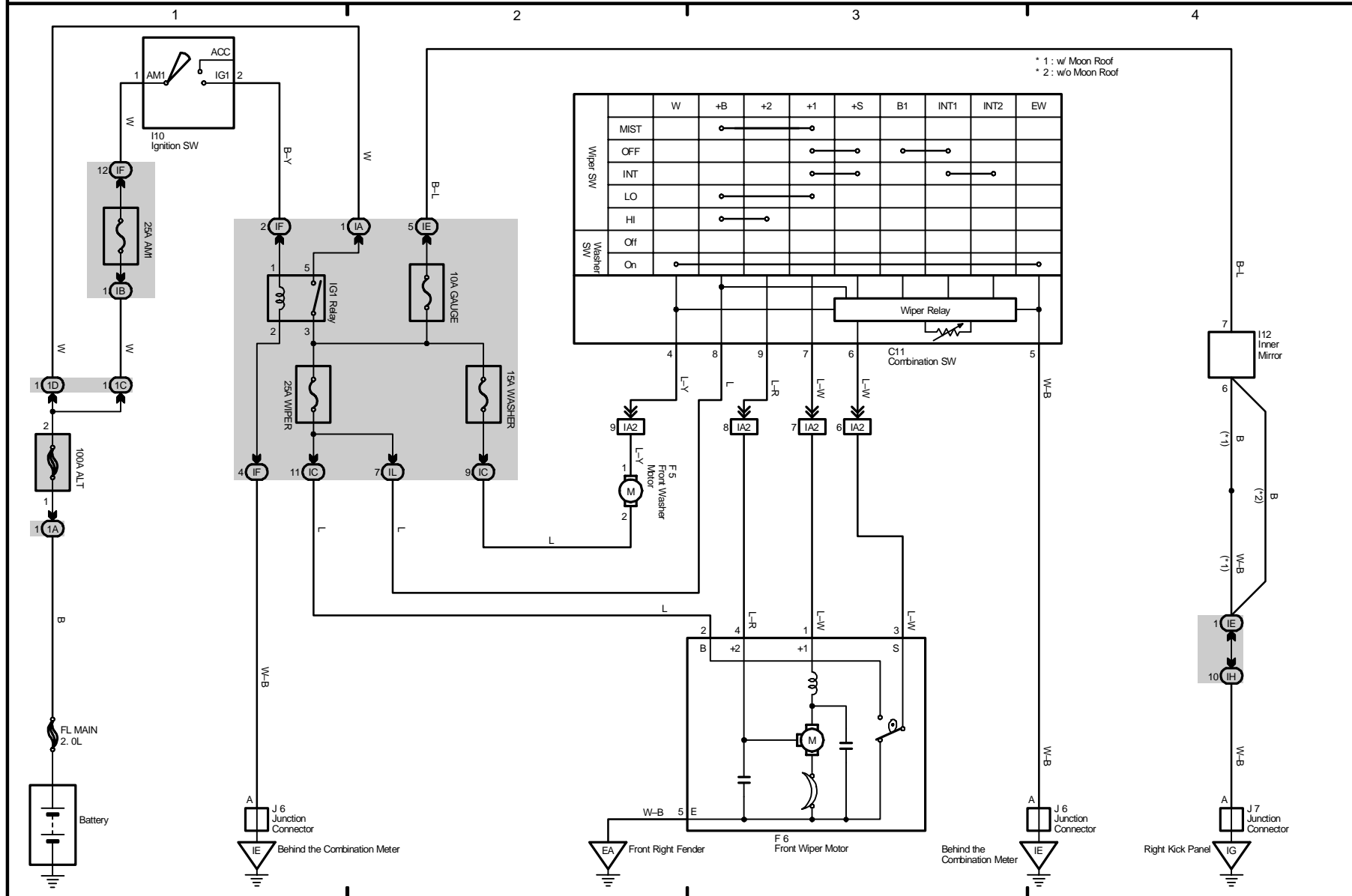
2004 COROLLA (EMD533U)



Power Source

Wiper and Washer

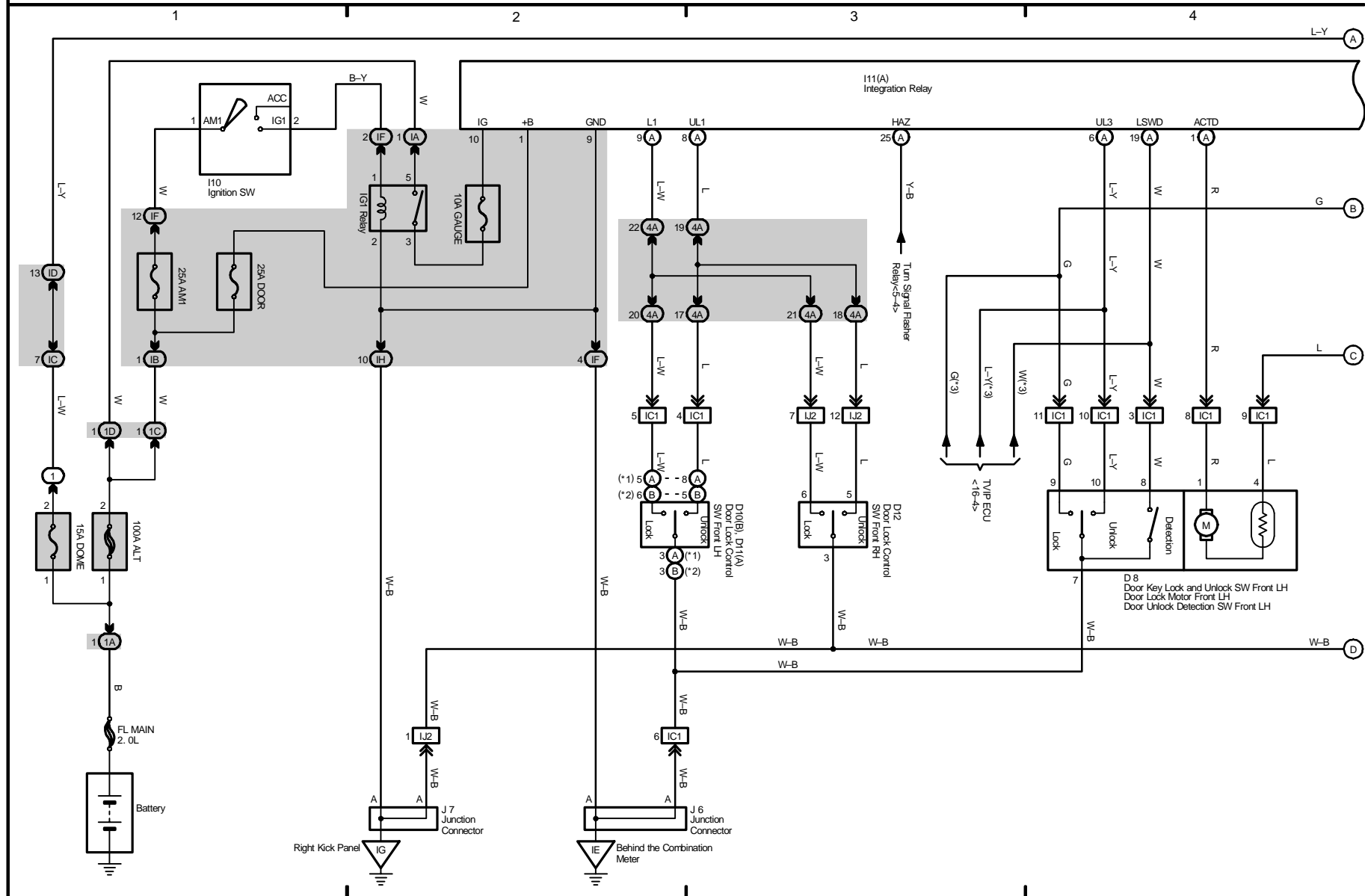
Automatic Glare-Resistant  
EC Mirror with Compass



Power Source

Door Lock Control

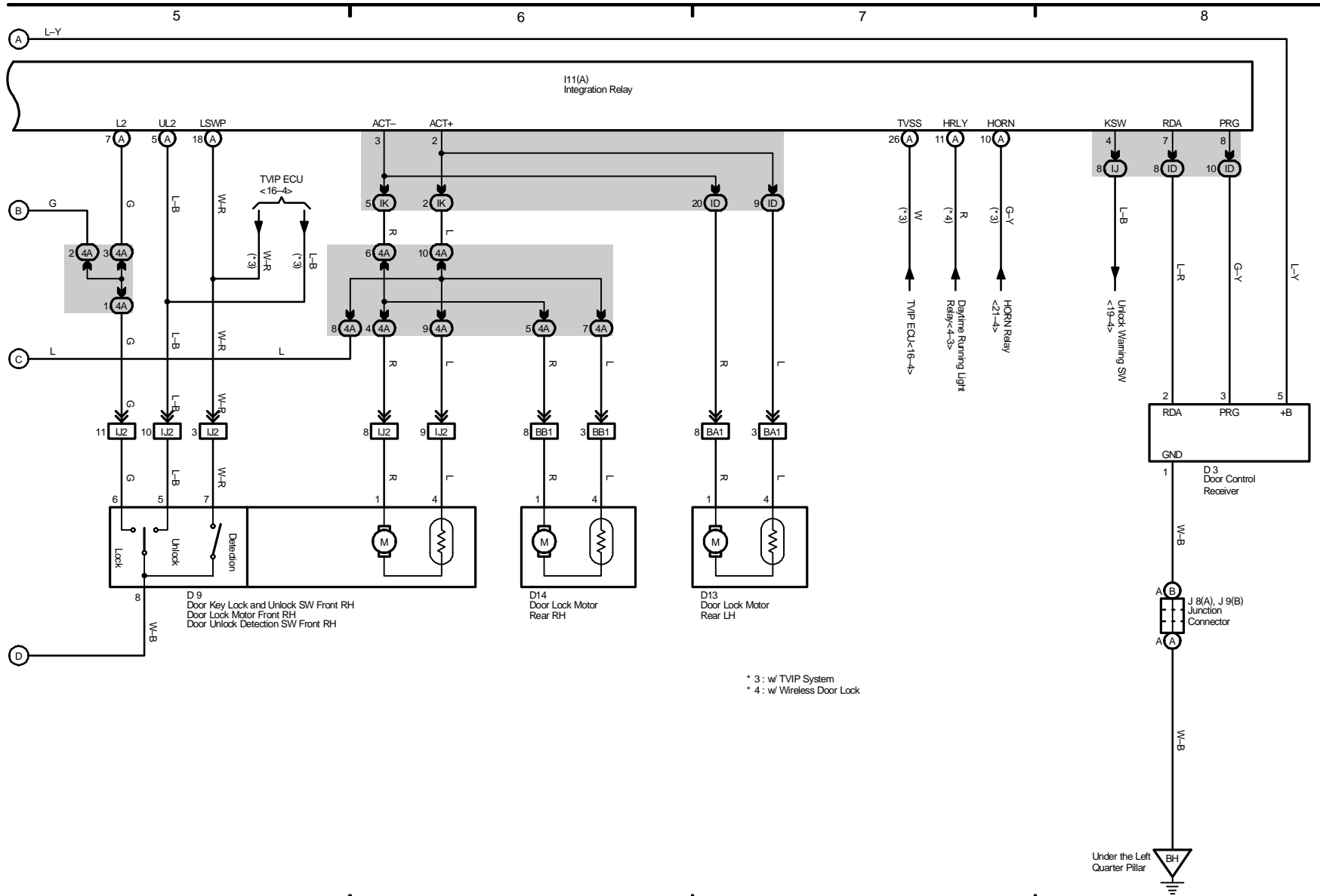
- \* 1 : w/ Power Window
- \* 2 : w/o Power Window
- \* 3 : w/ TVIP System



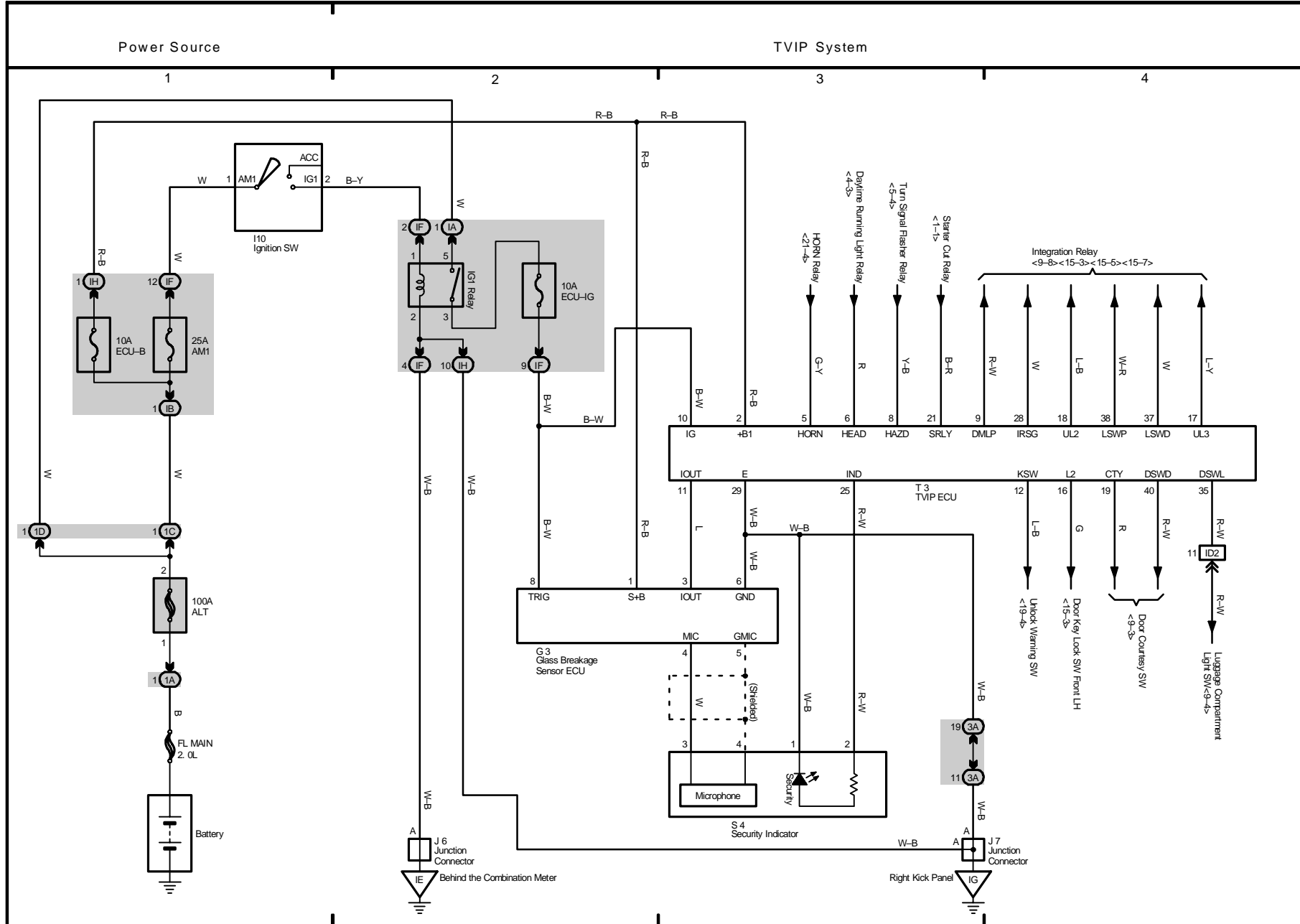
2004 COROLLA (EWD533U)

Door Lock Control

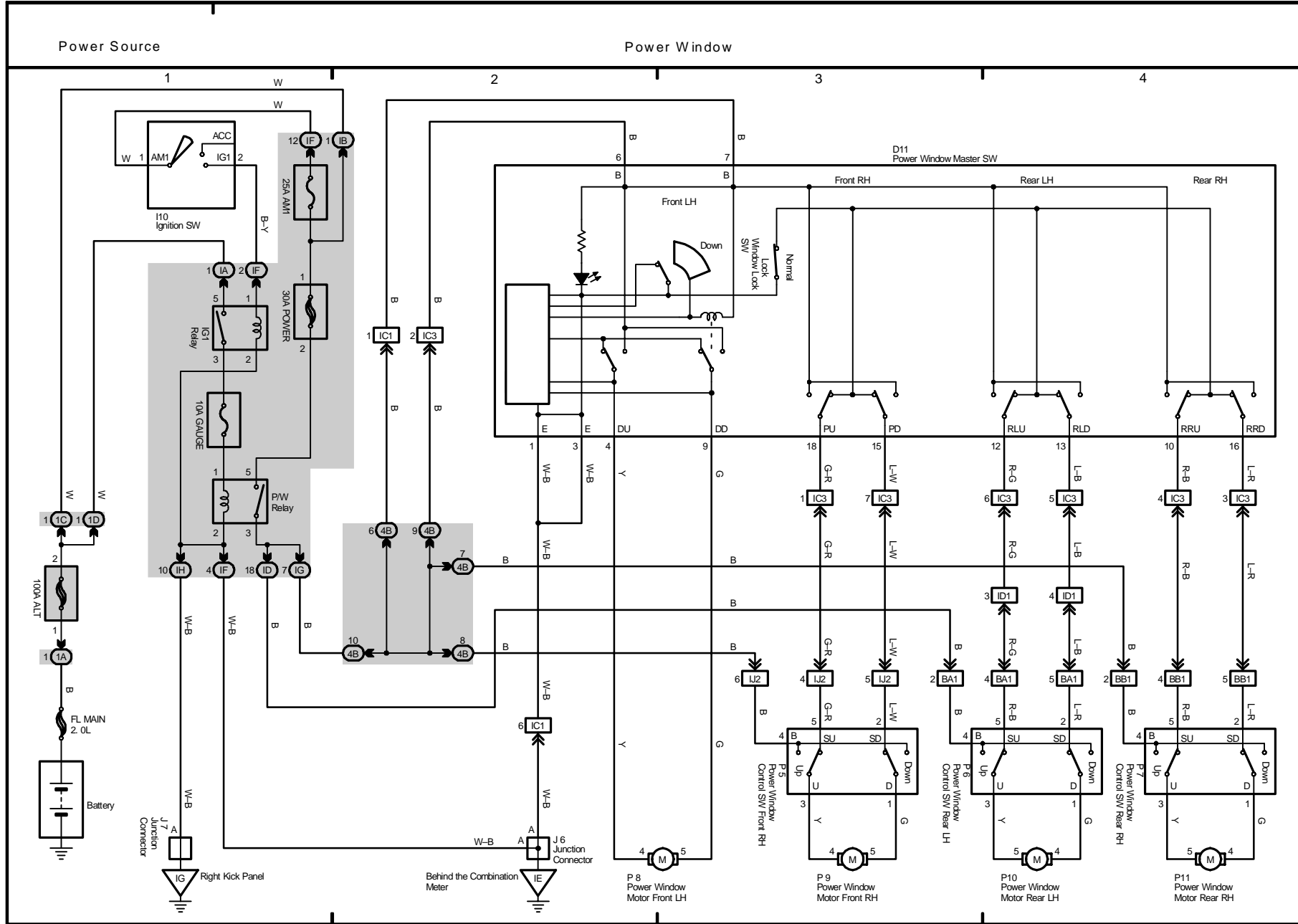
Wireless Door Lock Control

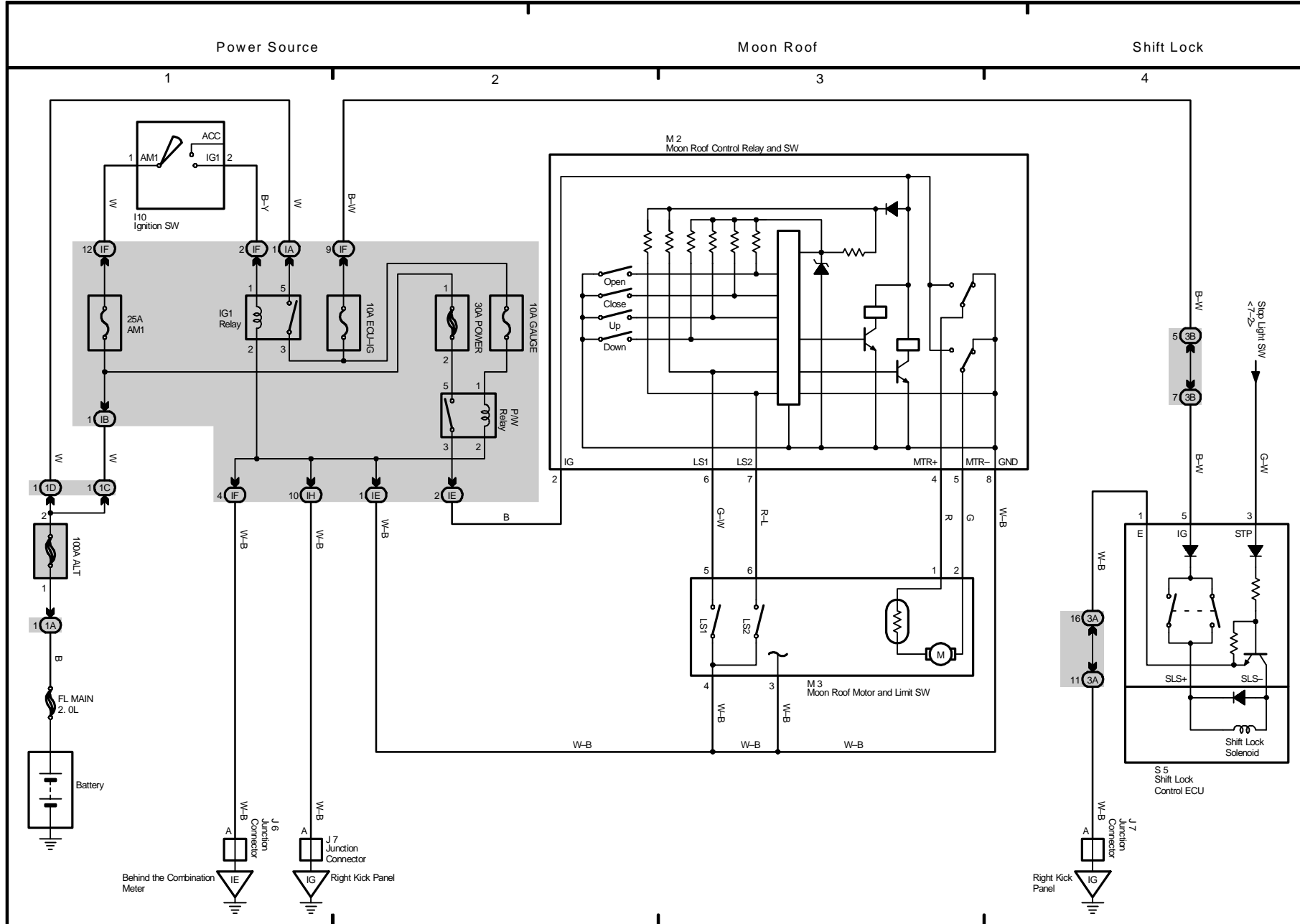


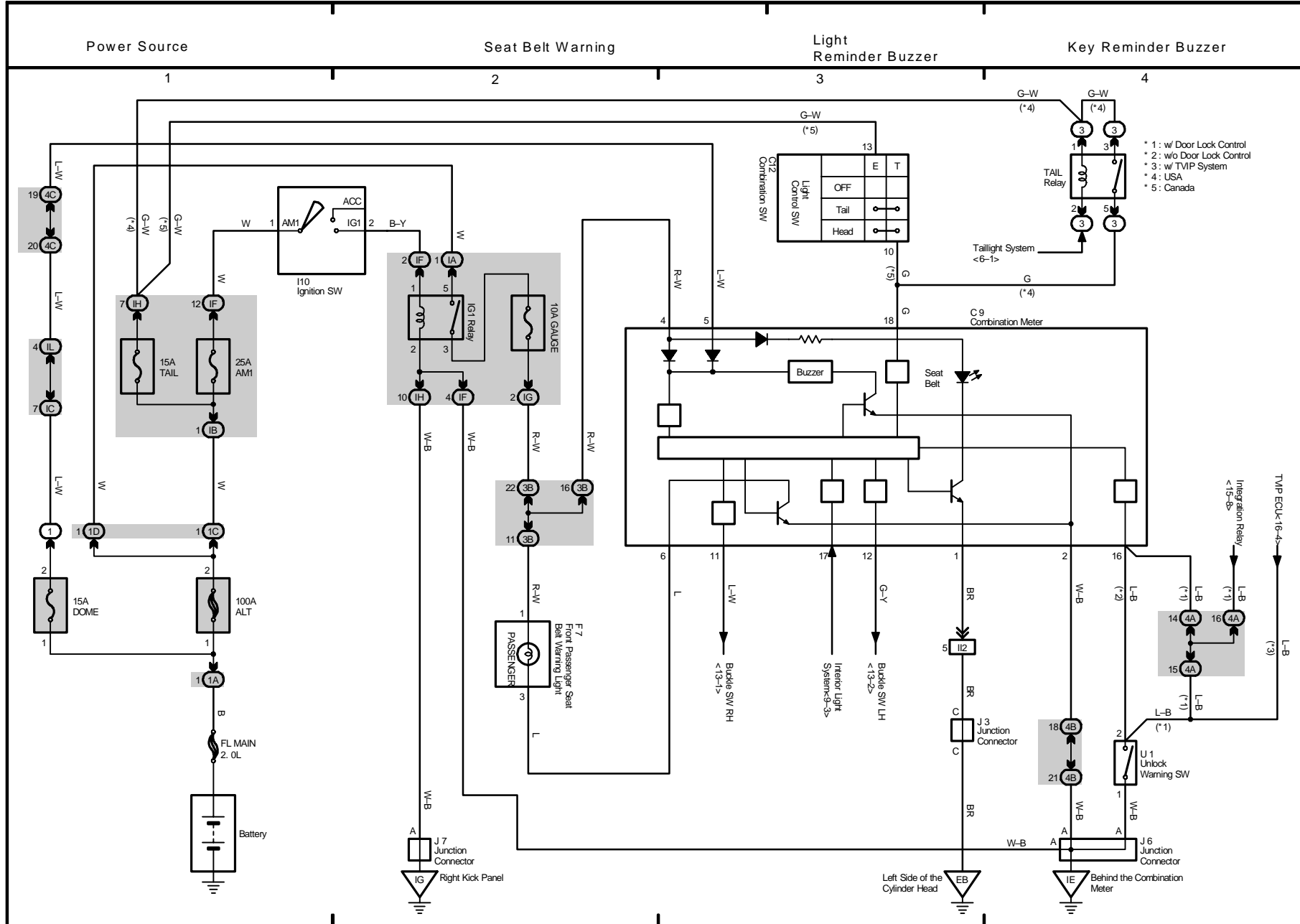
2004 COROLLA (EWD533U)

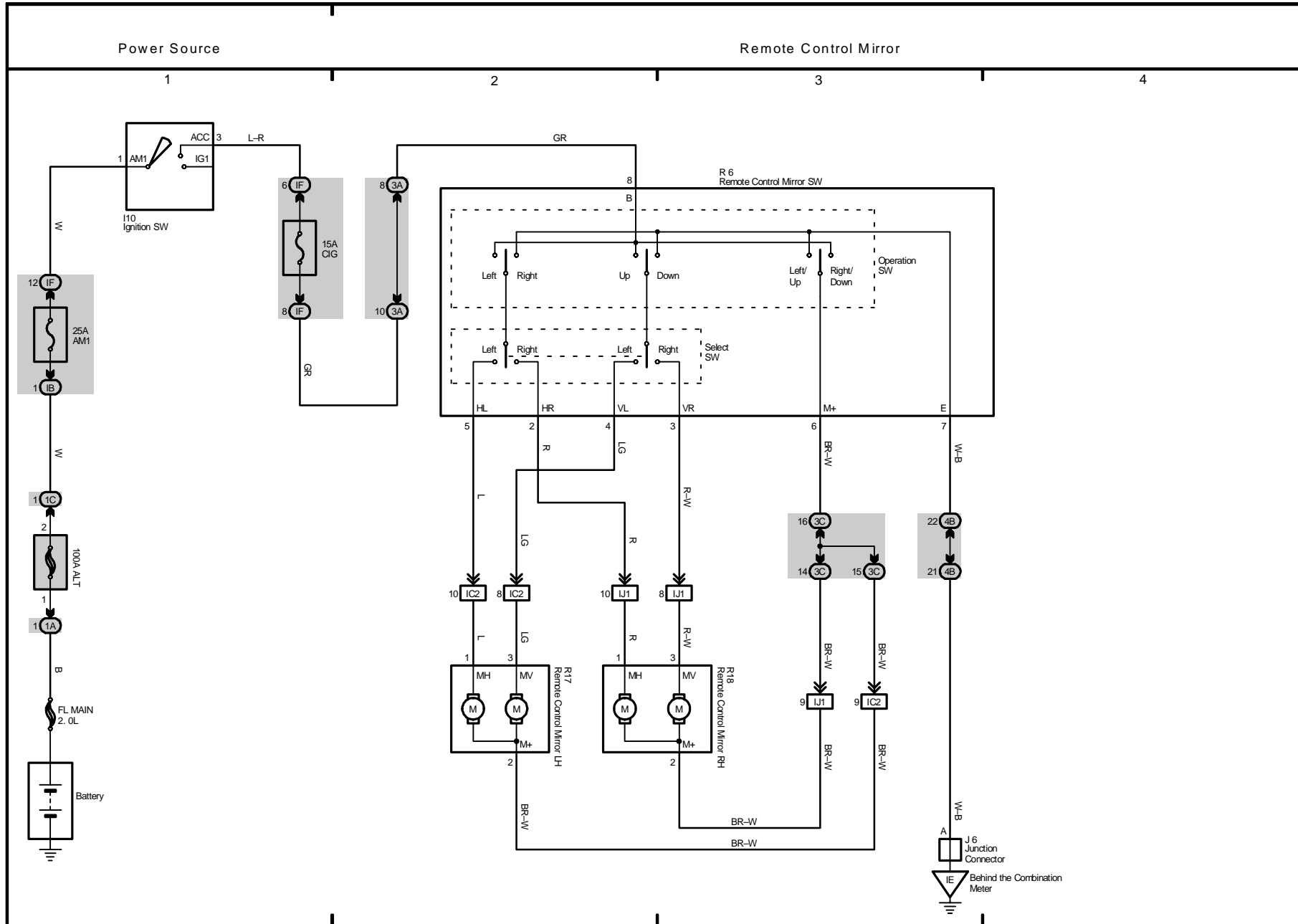


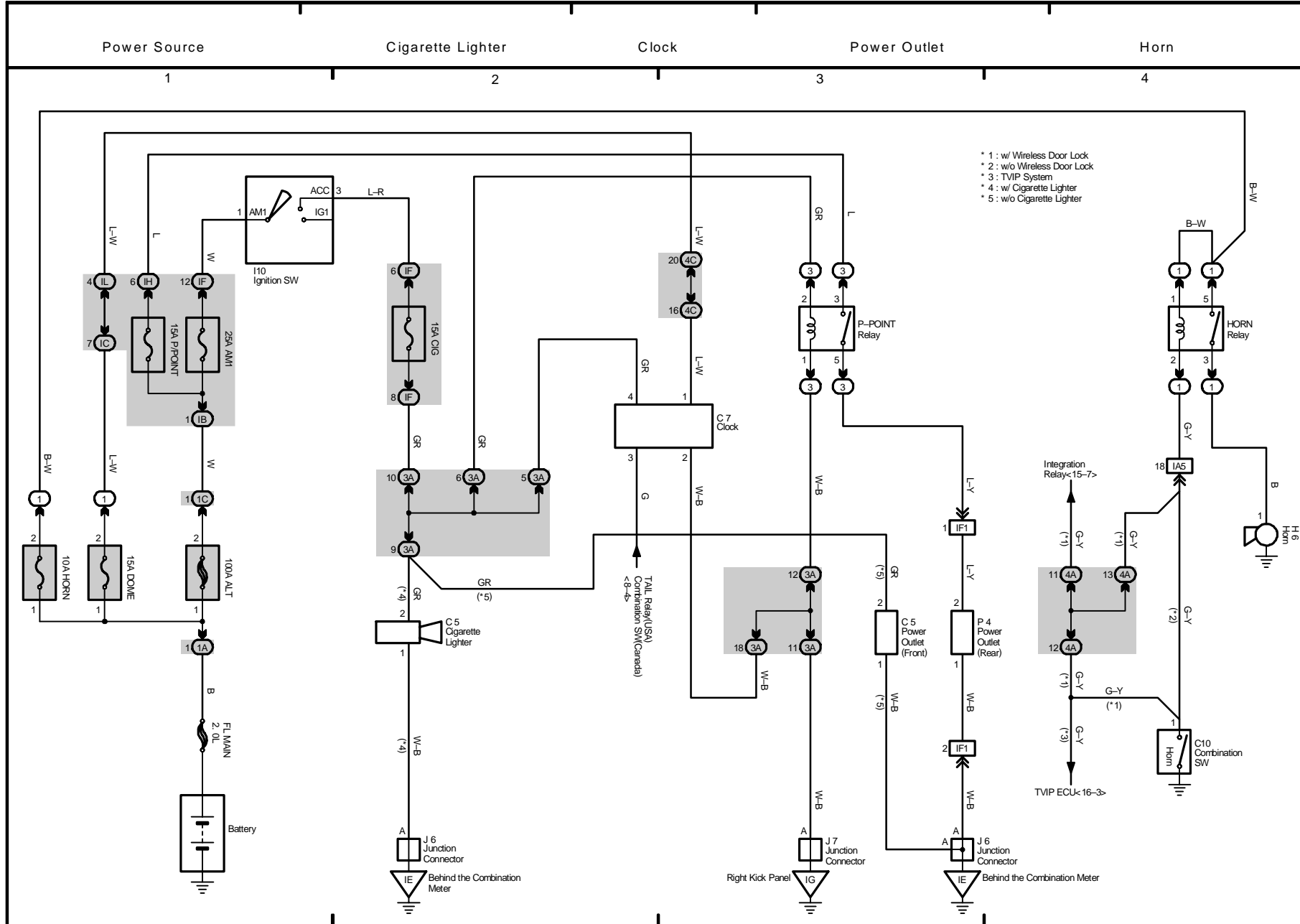




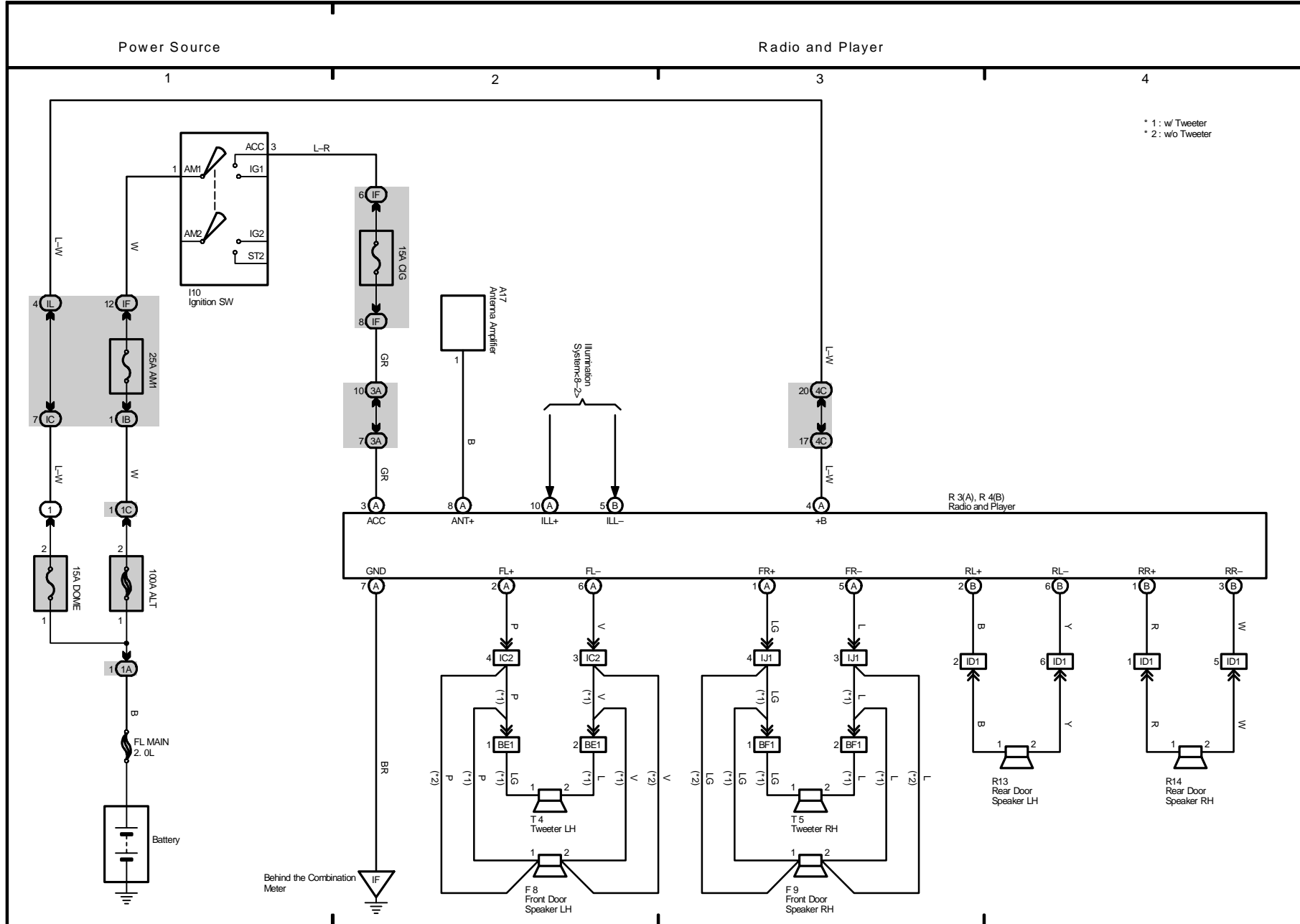




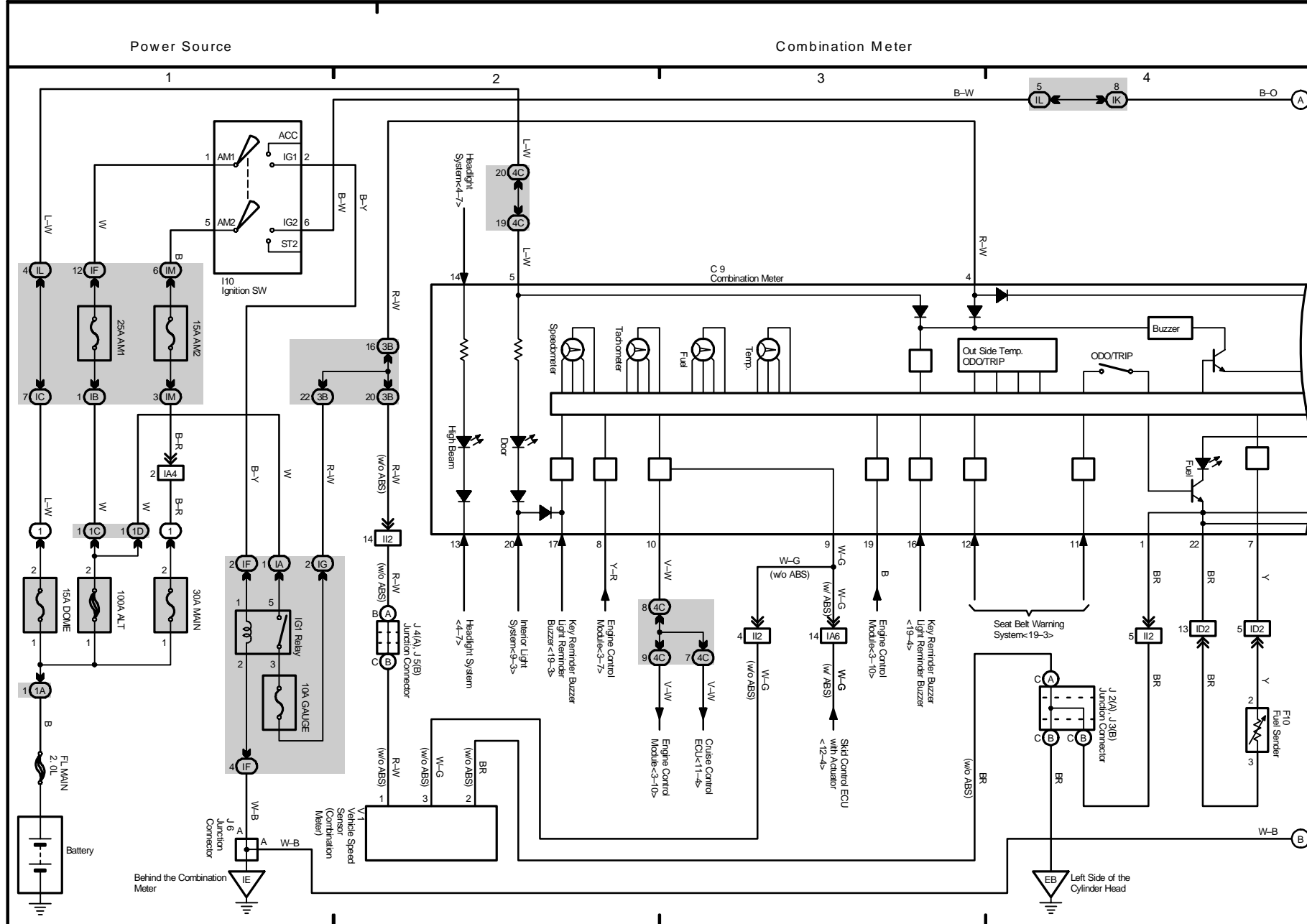






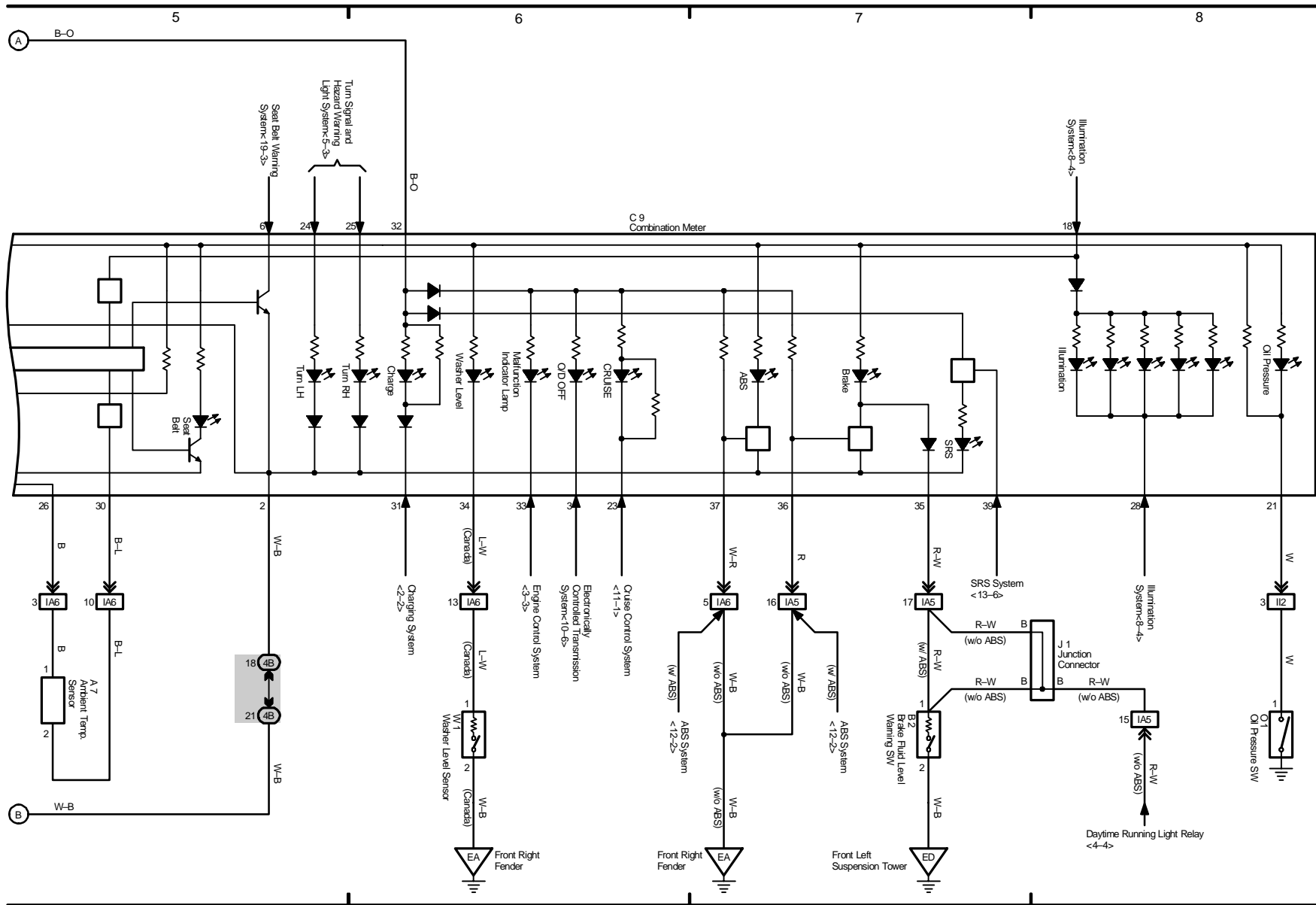


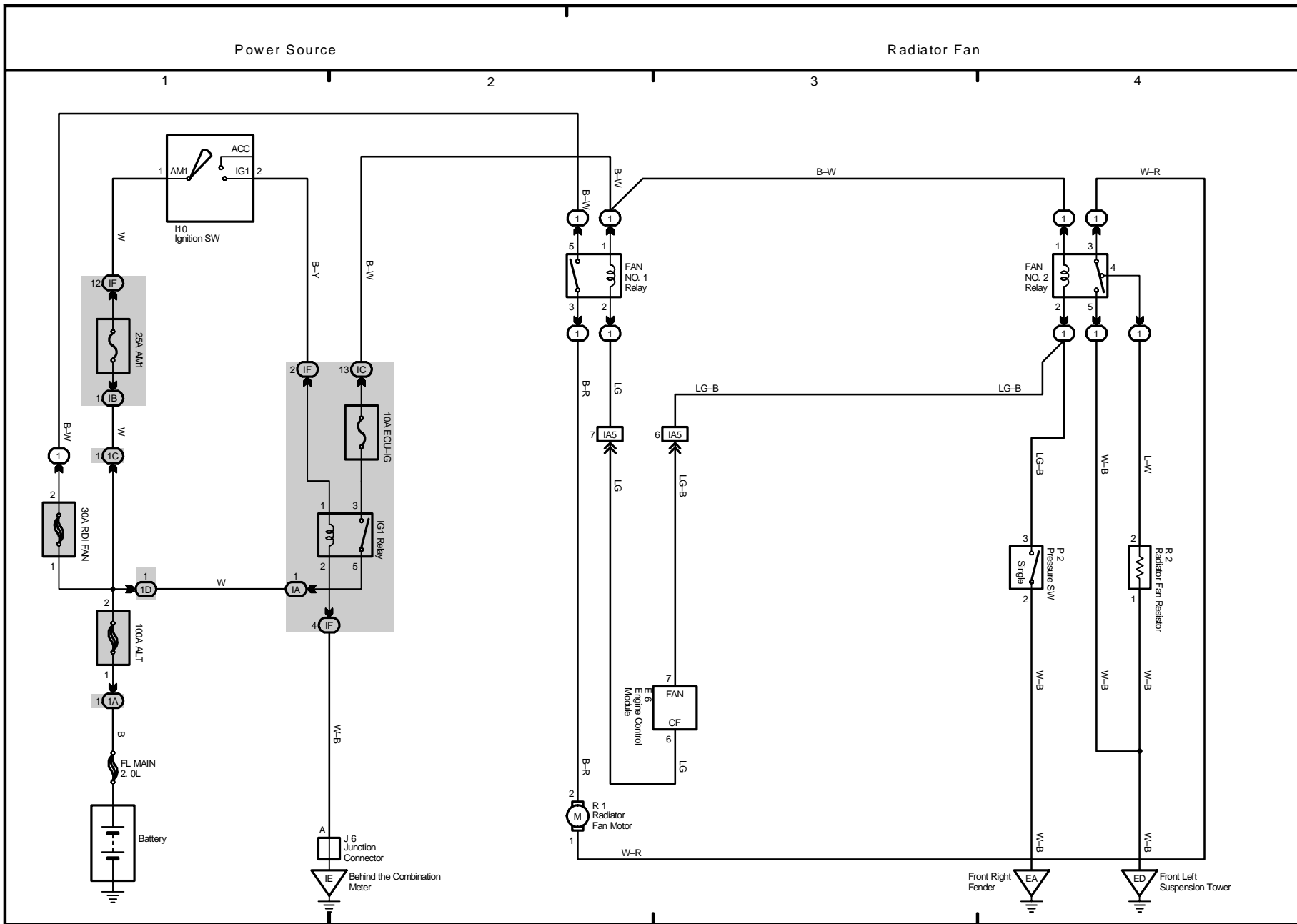
2004 COROLLA (EWD533U)

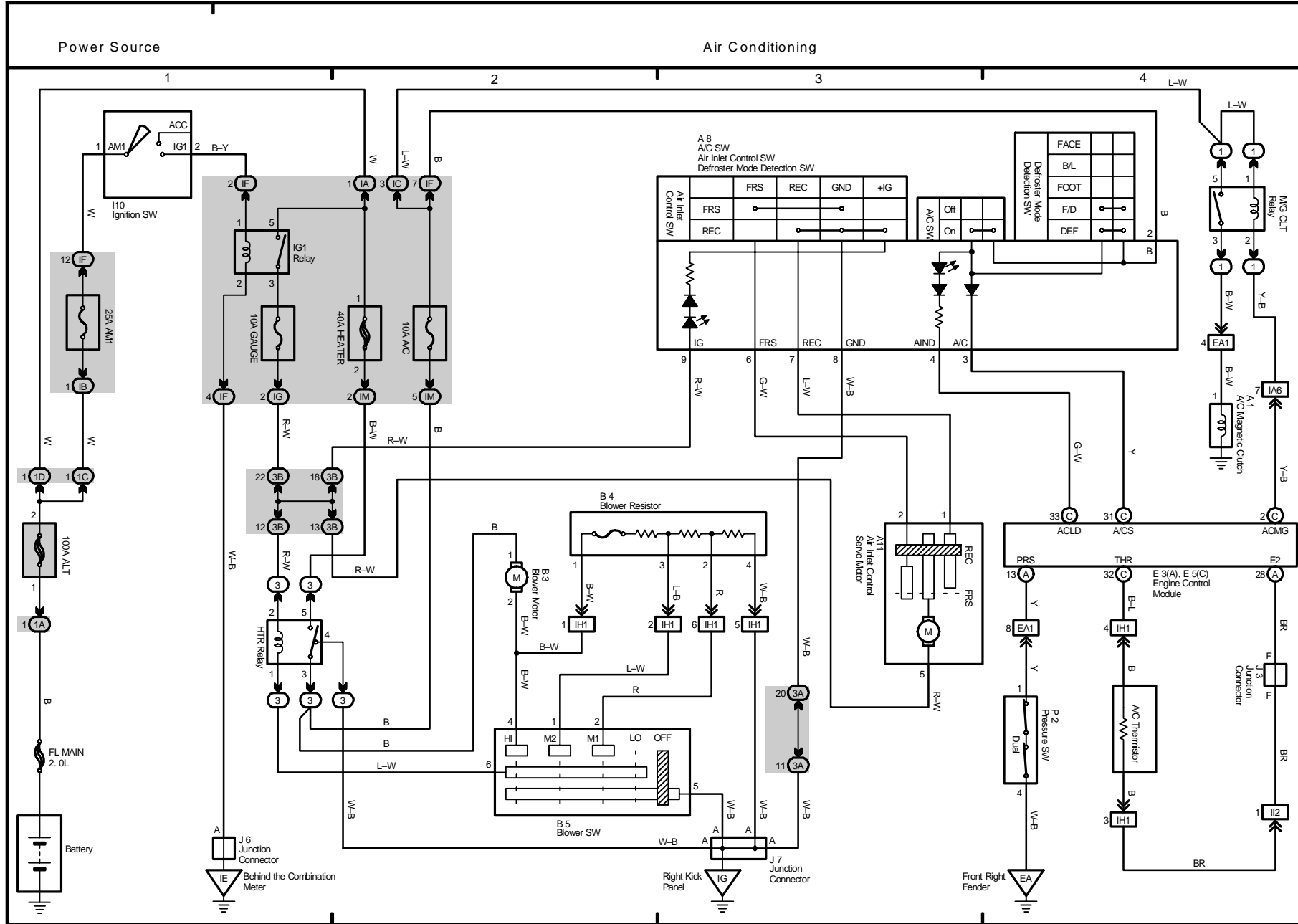


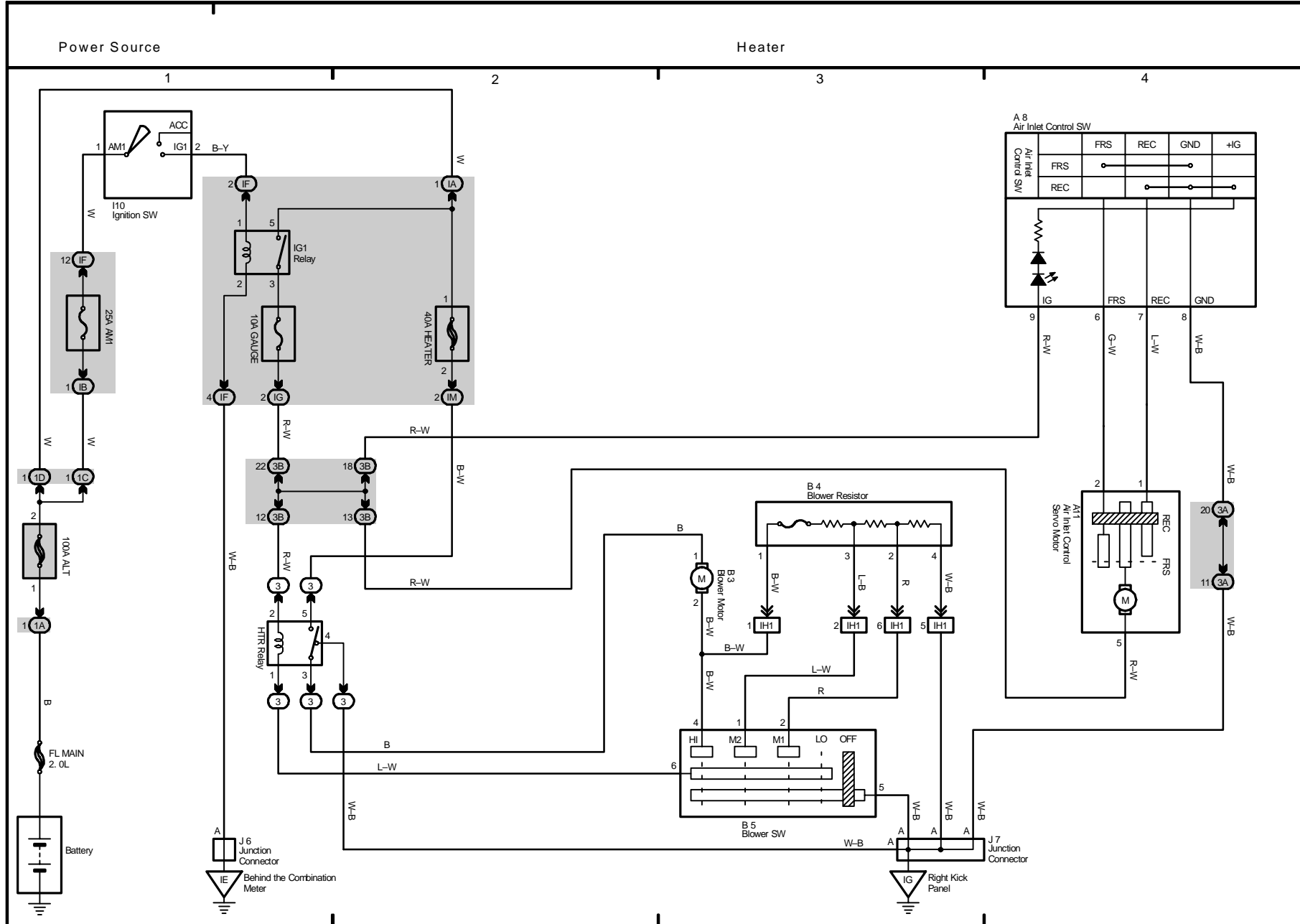


Combination Meter





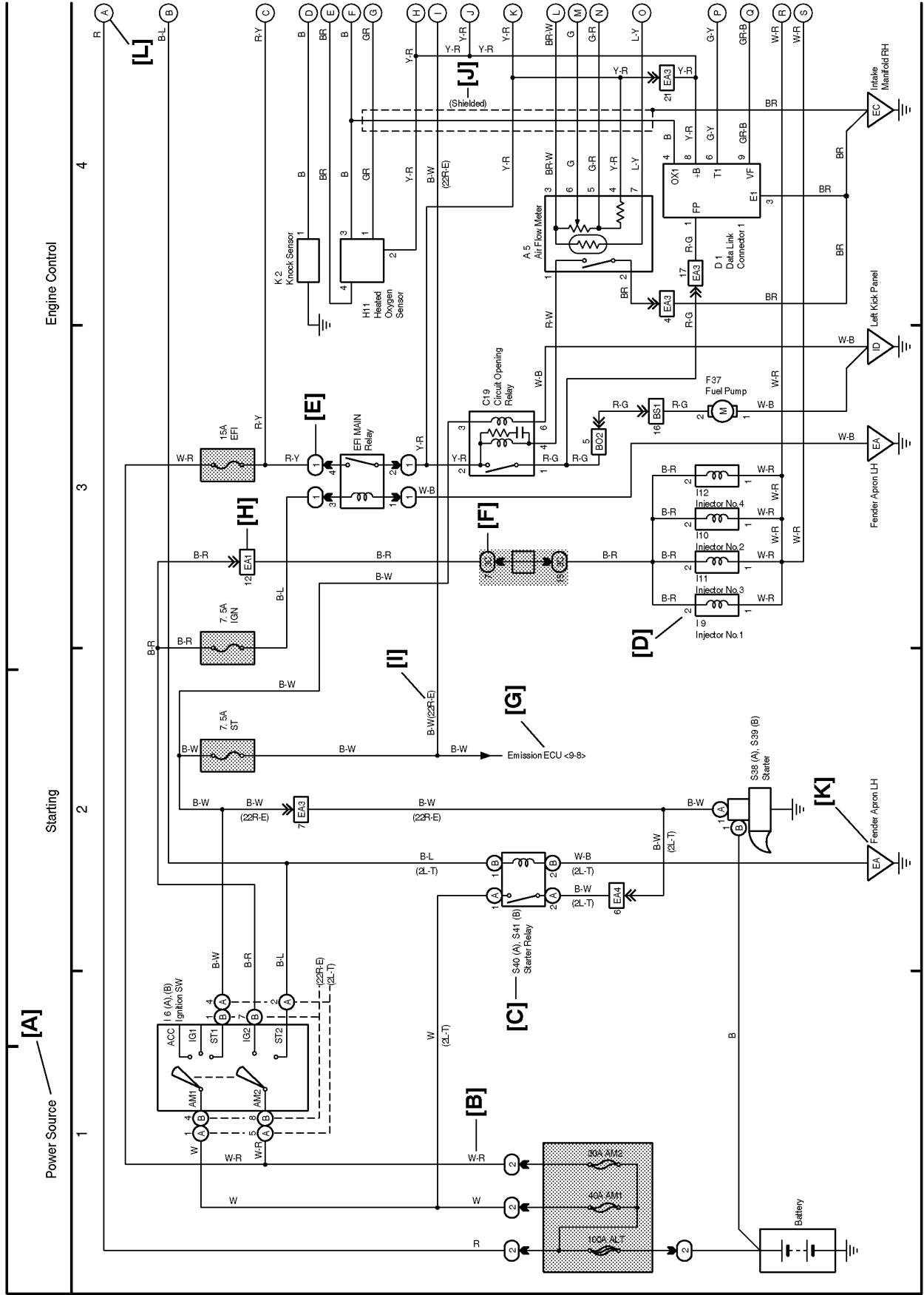




# M OVERALL ELECTRICAL WIRING DIAGRAM

\* The system shown here is an EXAMPLE ONLY. It is different to the actual circuit shown in the wiring diagram section.

HOW TO READ THIS SECTION



**[A]** : System Title

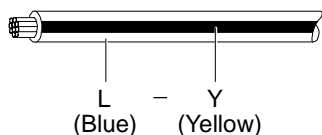
**[B]** : Indicates the wiring color.

Wire colors are indicated by an alphabetical code.

- |            |            |                  |
|------------|------------|------------------|
| B = Black  | W = White  | BR = Brown       |
| L = Blue   | V = Violet | SB = Sky Blue    |
| R = Red    | G = Green  | LG = Light Green |
| P = Pink   | Y = Yellow | GR = Gray        |
| O = Orange |            |                  |

The first letter indicates the basic wire color and the second letter indicates the color of the stripe.

Example: L - Y

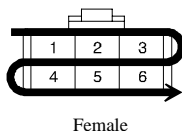


**[C]** : The position of the parts is the same as shown in the wiring diagram and wire routing.

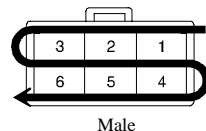
**[D]** : Indicates the pin number of the connector. The numbering system is different for female and male connectors.

Example : Numbered in order from upper left to lower right

Numbered in order from upper right to lower left



Female



Male

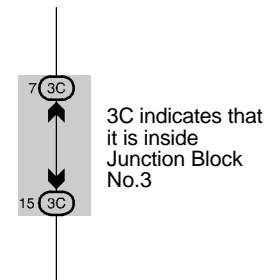
The numbering system for the overall wiring diagram is the same as above

**[E]** : Indicates a Relay Block. No shading is used and only the Relay Block No. is shown to distinguish it from the J/B.

Example :  Indicates Relay Block No.1

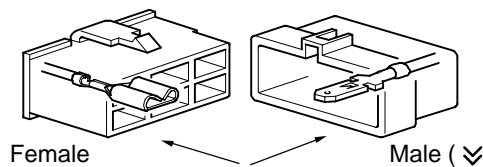
**[F]** : Junction Block (The number in the circle is the J/B No. and the connector code is shown beside it). Junction Blocks are shaded to clearly separate them from other parts.

Example:



**[G]** : Indicates related system.

**[H]** : Indicates the wiring harness and wiring harness connector. The wiring harness with male terminal is shown with arrows (↘). Outside numerals are pin numbers.



Female

Male (↘)

**[I]** : ( ) is used to indicate different wiring and connector, etc. when the vehicle model, engine type, or specification is different.

**[J]** : Indicates a shielded cable.



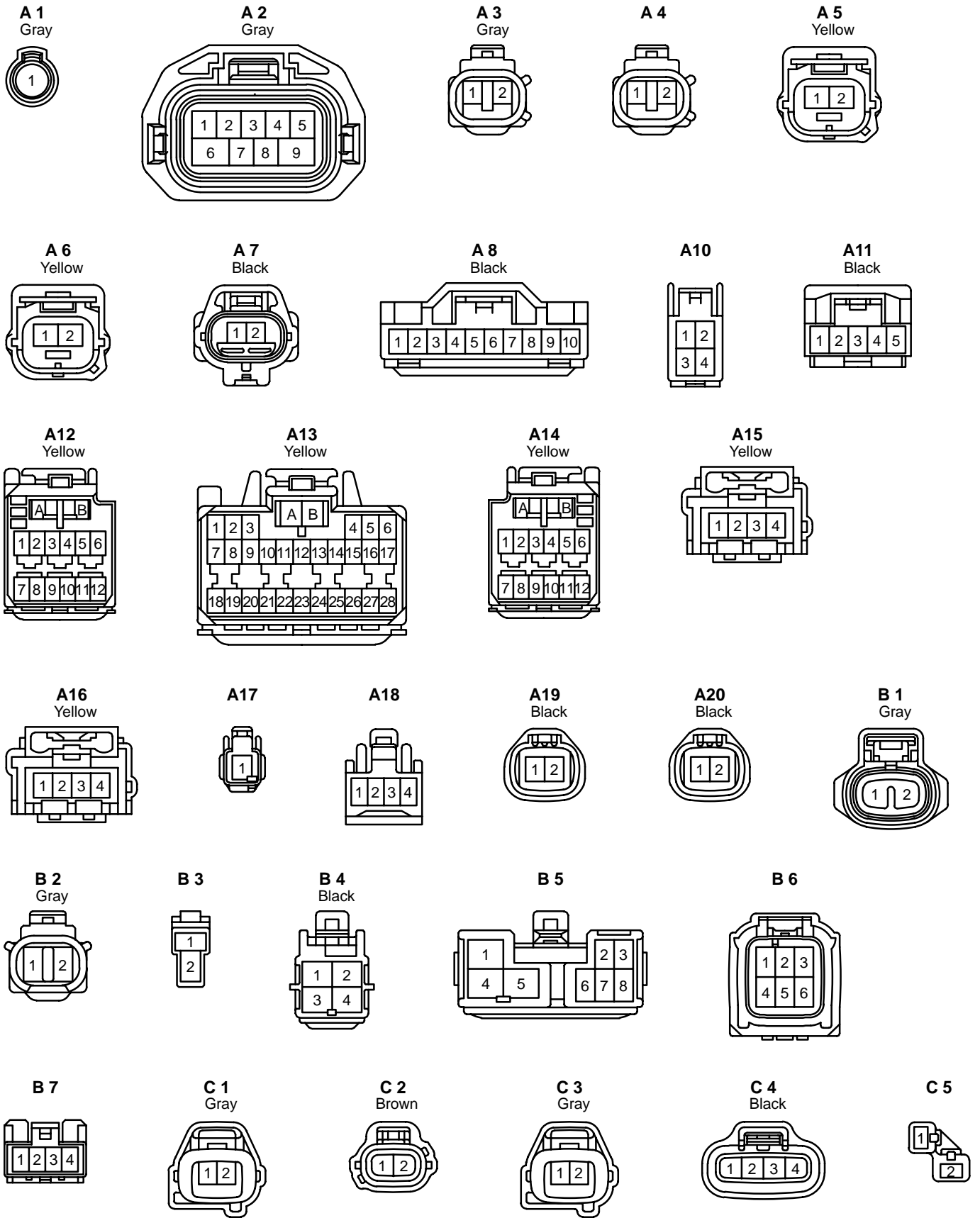
**[K]** : Indicates and located on ground point.

**[L]** : The same code occurring on the next page indicates that the wire harness is continuous.

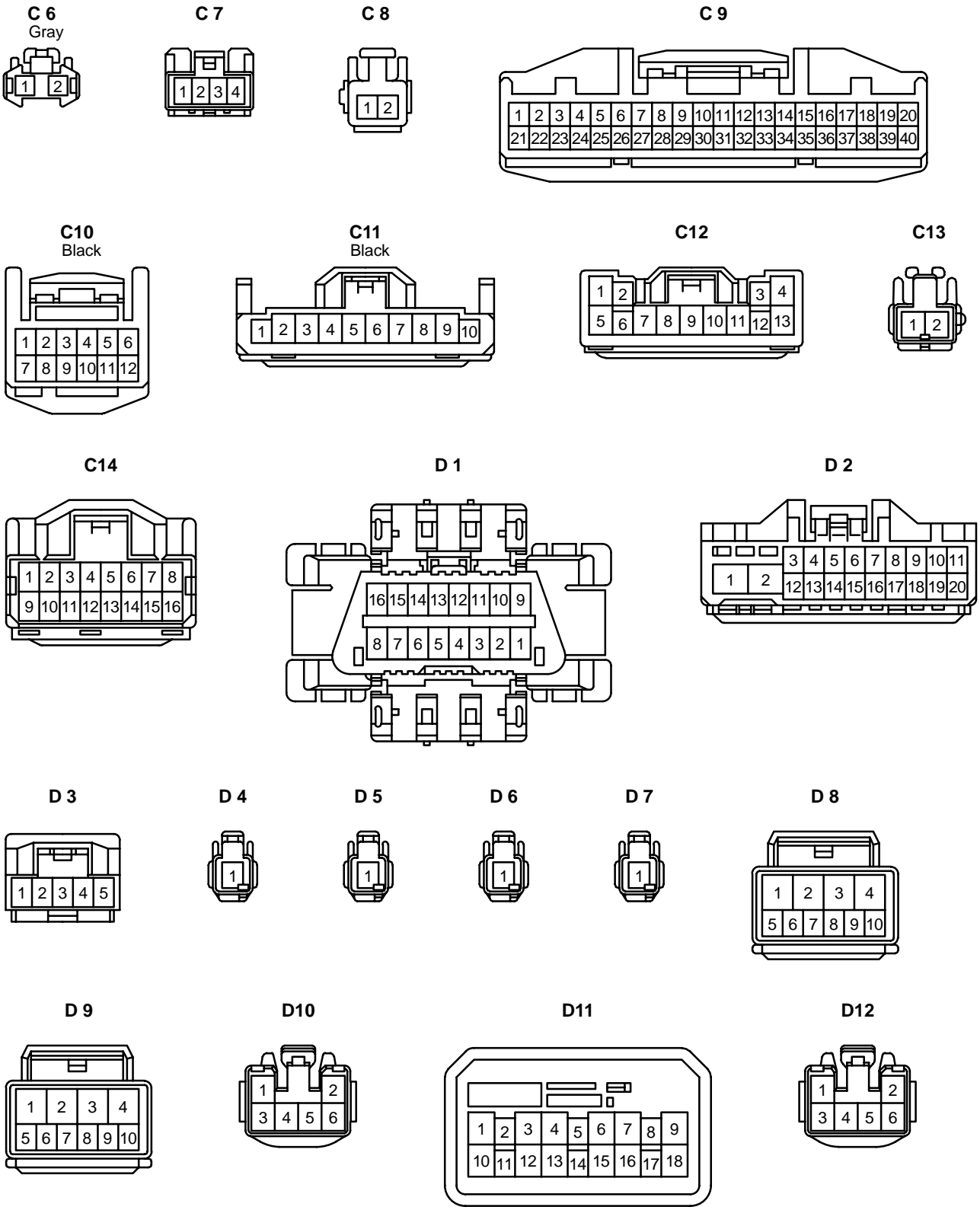
## SYSTEM INDEX

SYSTEMS	LOCATION	SYSTEMS	LOCATION
ABS .....	12-2	Light Reminder Buzzer .....	19-3
Air Conditioning .....	26-2	Moon Roof .....	18-3
Automatic Glare-Resistant EC Mirror with Compass .....	14-4	Power Outlet .....	21-3
Back-Up Light .....	10-8	Power Source .....	1~27-1
Charging .....	2-2	Power Window .....	17-2
Cigarette Lighter .....	21-2	Radiator Fan .....	25-3
Clock .....	21-2	Radio and Player .....	23-2
Combination Meter .....	24-2	Rear Window Defogger .....	22-2
Cruise Control .....	11-2	Remote Control Mirror .....	20-2
Door Lock Control .....	15-2	Seat Belt Warning .....	19-2
Electronically Controlled Transmission .....	10-2	Shift Lock .....	18-4
Engine Control .....	3-2	SRS .....	13-2
Fog Light .....	4-8	Starting .....	1-2
Headlight .....	4-3	Stop Light .....	7-2
Heater .....	27-2	Taillight .....	6-2
Horn .....	21-4	Turn Signal and Hazard Warning Light .....	5-2
Ignition .....	1-3	TVIP System .....	16-2
Illumination .....	8-2	Wiper and Washer .....	14-2
Interior Light .....	9-2	Wireless Door Lock Control .....	15-8
Key Reminder Buzzer .....	19-4		

# K CONNECTOR LIST

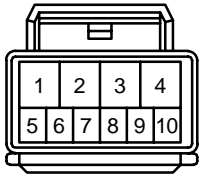




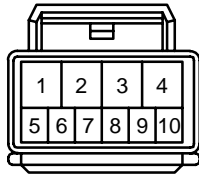


# K CONNECTOR LIST

**D13**



**D14**



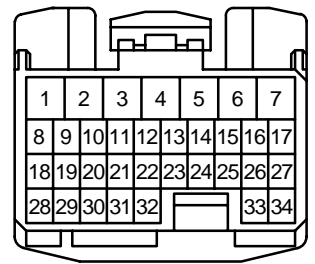
**E 1**  
Gray



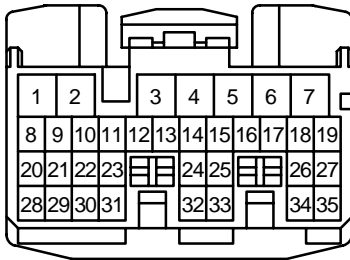
**E 2**  
Dark Gray



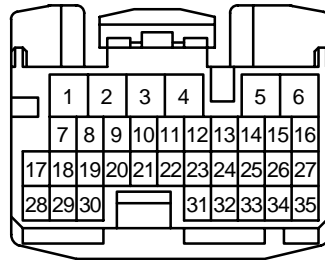
**E 3**



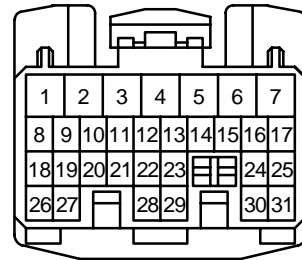
**E 4**



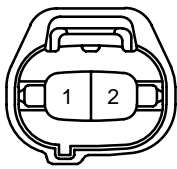
**E 5**



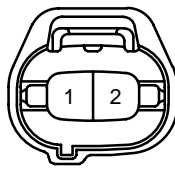
**E 6**



**F 1**  
Gray



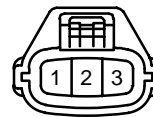
**F 2**  
Gray



**F 3**  
Gray



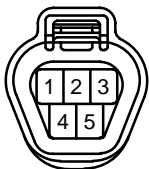
**F 4**  
Gray



**F 5**  
Black



**F 6**  
Black



**F 7**



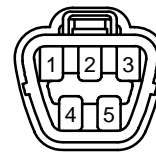
**F 8**



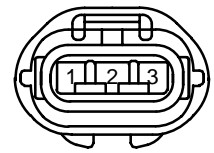
**F 9**



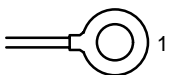
**F 10**



**G 1**  
Black



**G 2**



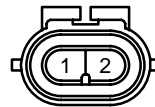
**G 3**



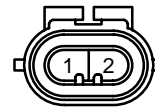
**H 1**  
Black



**H 2**  
Gray



**H 3**  
Black



**H 4**  
Gray



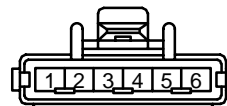
**H 5**  
Dark Gray



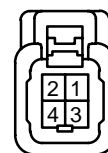
**H 6**  
Black



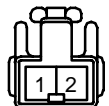
**H 7**  
Black



**H 8**  
Dark Gray



**H 9**  
(Bulb Type) Gray



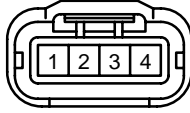
**H 9**  
(LED Type) Black



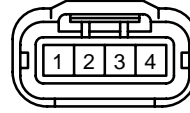
**I 1**  
Gray



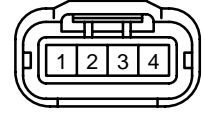
**I 2**  
Brown



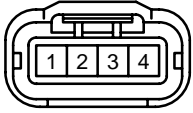
**I 3**  
Brown



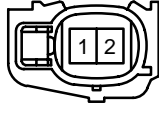
**I 4**  
Brown



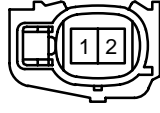
**I 5**  
Brown



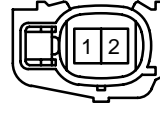
**I 6**  
Gray



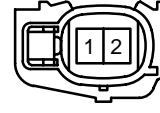
**I 7**  
Gray



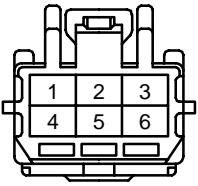
**I 8**  
Gray



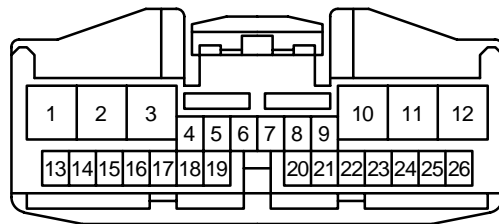
**I 9**  
Gray



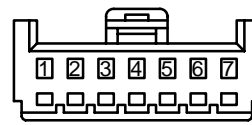
**I10**



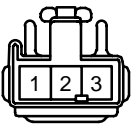
**I11**



**I12**  
Black



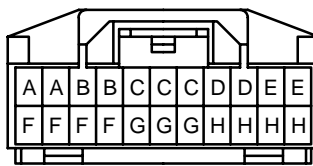
**I13**



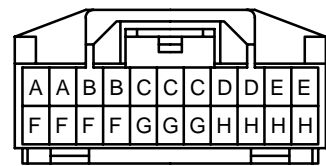
**J 1**  
Black



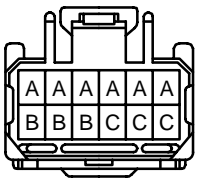
**J 2**



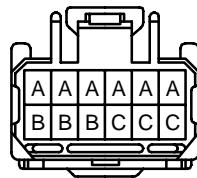
**J 3**



**J 4**



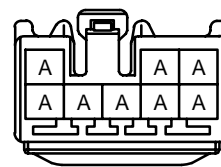
**J 5**



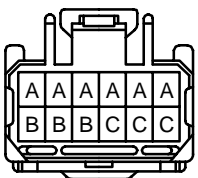
**J 6**



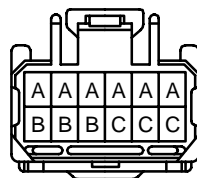
**J 7**



**J 8**



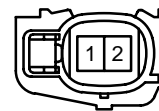
**J 9**



**J10**



**K 1**  
Black



**L 1**  
Gray



**L 2**  
Gray



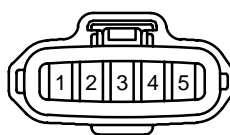
**L 3**



**L 4**



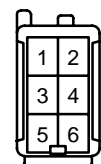
**M 1**  
Black



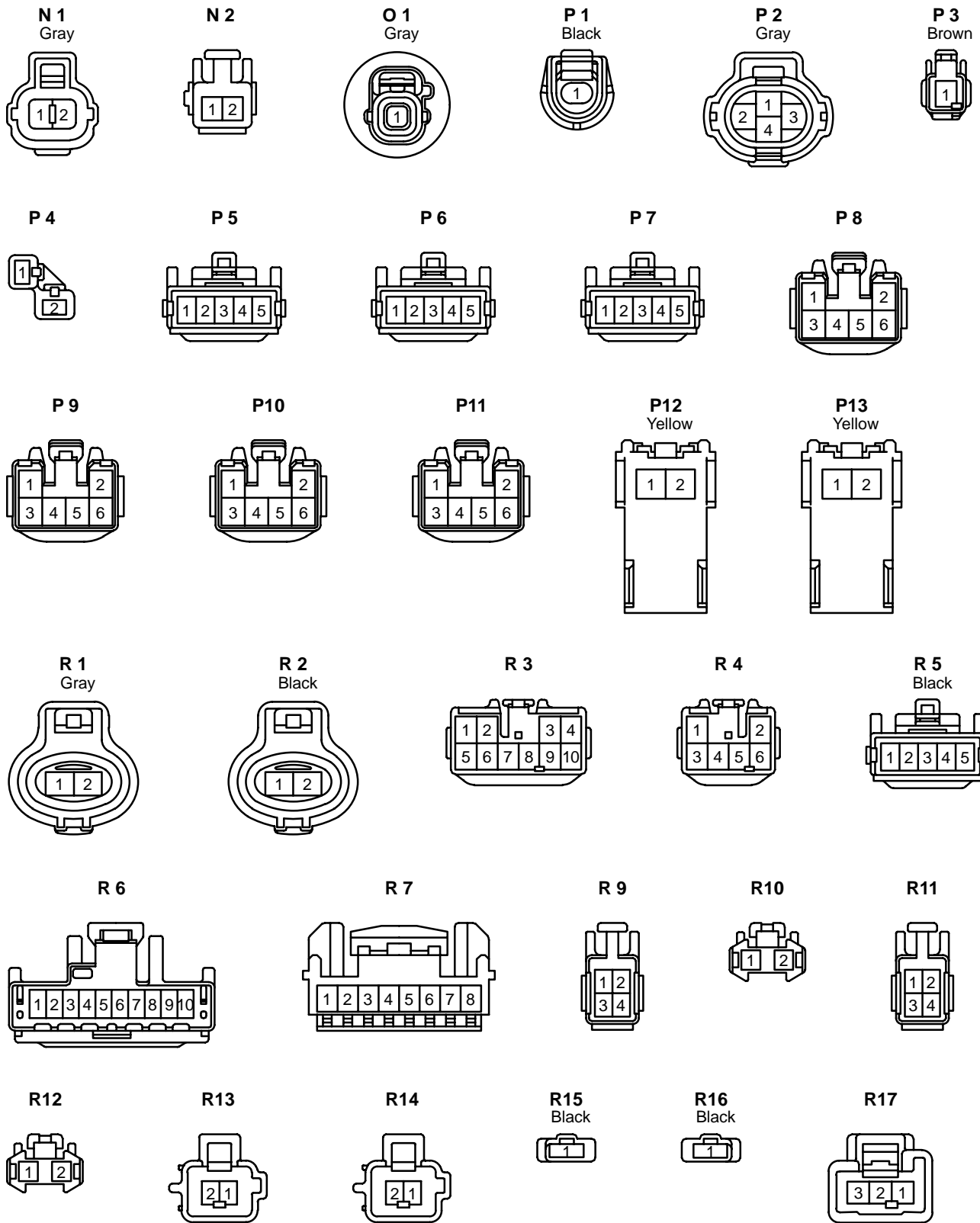
**M 2**



**M 3**  
Brown



# K CONNECTOR LIST

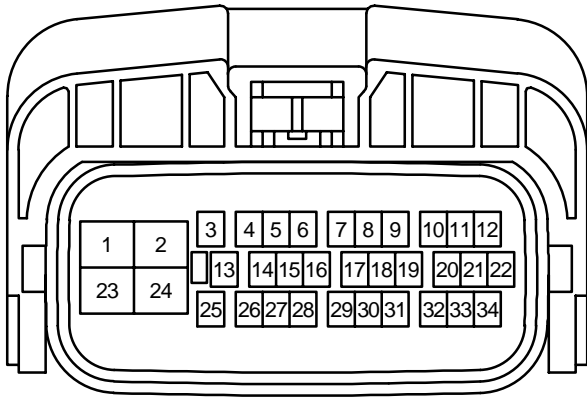


\*1 : w/ Cruise Control  
\*2 : w/o Cruise Control

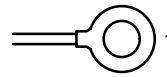
R18



S1  
Black



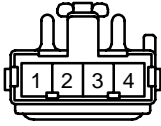
S2



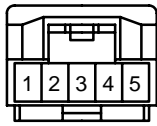
S3  
Black



S4  
Black



S5



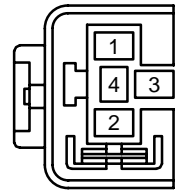
S6  
Yellow



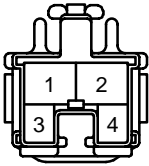
S7  
Yellow



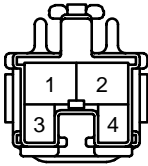
S8



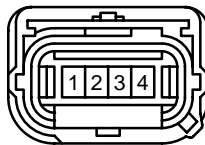
S9  
(\*1) Blue



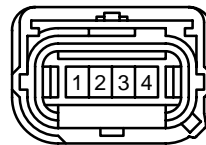
S9  
(\*2) Black



S10  
Yellow



S11  
Yellow



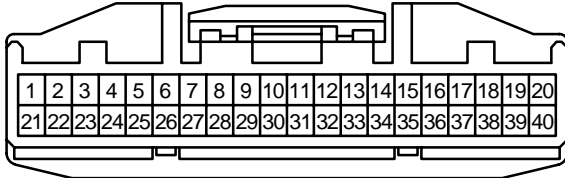
T1  
Black



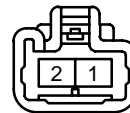
T2  
Black



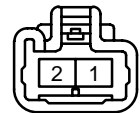
T3



T4



T5



U1  
Black



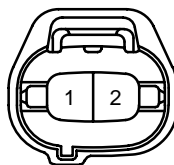
V1  
Black



V2  
Black



V3  
Blue



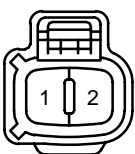
V4  
Black



V5  
Black

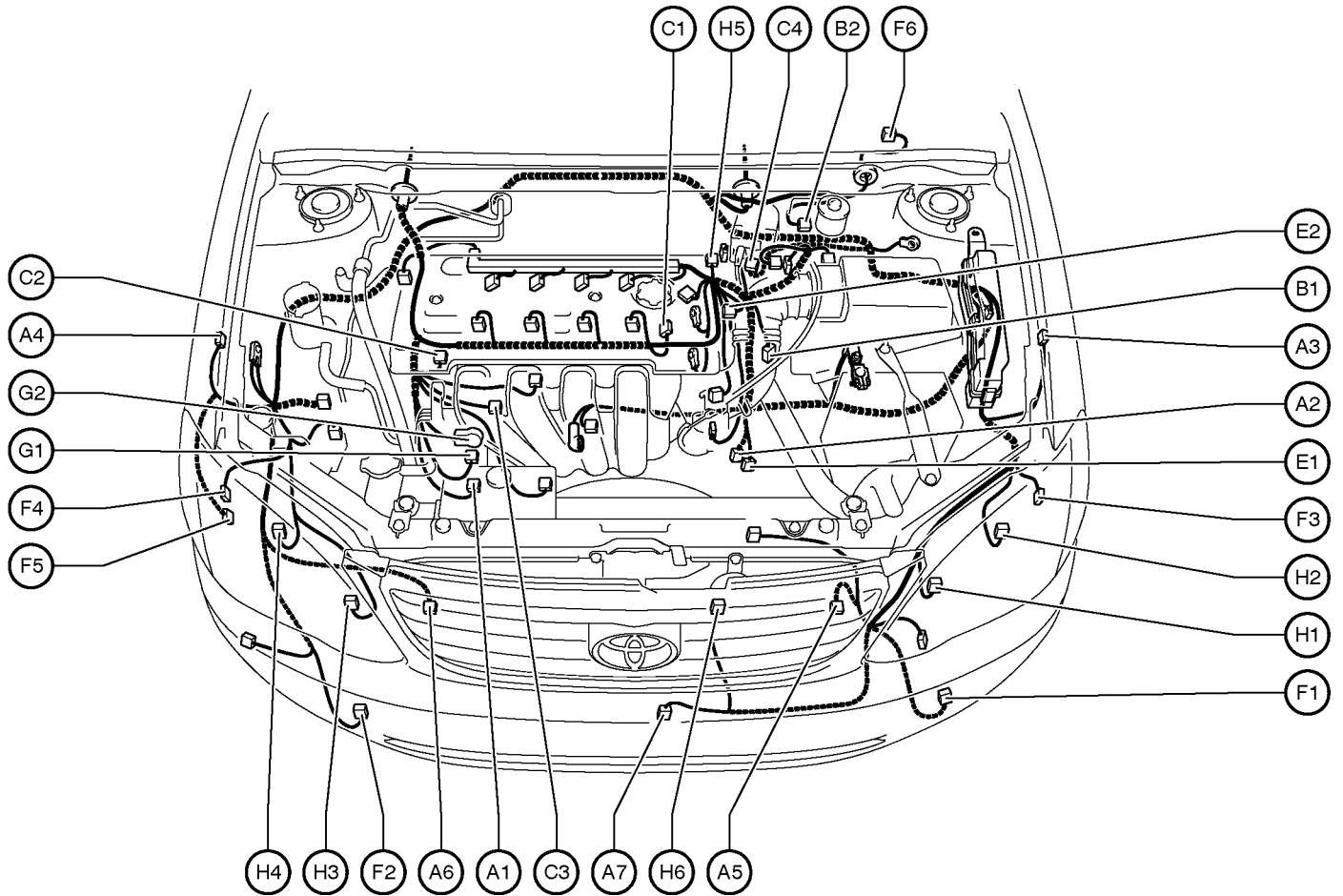


W1  
Black



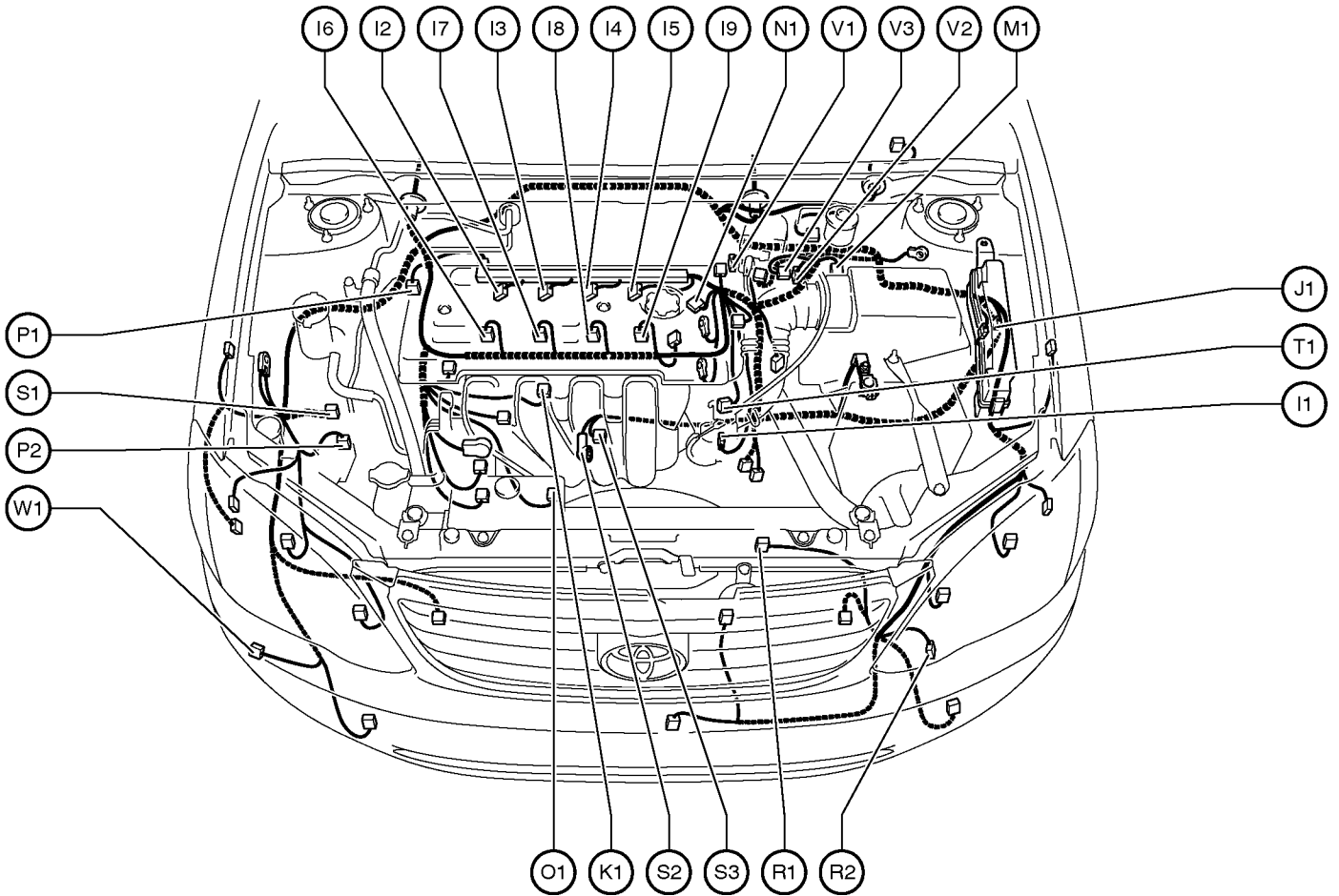
# G ELECTRICAL WIRING ROUTING

## Position of Parts in Engine Compartment



- |   |  |
|---|--|
| A 1 A/C Magnetic Clutch   | F 1 Front Fog Light LH                                   |
| A 2 A/T Shift Lever Position SW<br>Back-Up Light SW<br>Park/Neutral Position SW | F 2 Front Fog Light RH                                   |
| A 3 ABS Speed Sensor Front LH   | F 3 Front Parking Light LH<br>Front Turn Signal Light LH |
| A 4 ABS Speed Sensor Front RH   | F 4 Front Parking Light RH<br>Front Turn Signal Light RH |
| A 5 Airbag Sensor Front LH  | F 5 Front Washer Motor                                   |
| A 6 Airbag Sensor Front RH  | F 6 Front Wiper Motor                                    |
| A 7 Ambient Temp. Sensor  |  |
|   | G 1 Generator  |
| B 1 Back-Up Light SW  | G 2 Generator  |
| B 2 Brake Fluid Level Warning SW  |  |
| C 1 Camshaft Position Sensor  | H 1 Headlight LH (High)                                  |
| C 2 Camshaft Timing Oil Control Valve (VVT)                                     | H 2 Headlight LH (Low)                                   |
| C 3 Crankshaft Position Sensor  | H 3 Headlight RH (High)                                  |
| C 4 Cruise Control Actuator   | H 4 Headlight RH (Low)                                   |
|   | H 5 Heated Oxygen Sensor (Bank 1 Sensor 1)               |
| E 1 Electronically Controlled Transmission Solenoid                             | H 6 Horn   |
| E 2 Engine Coolant Temp. Sensor   |  |

## Position of Parts in Engine Compartment



I 1 Idle Air Control Valve  
 I 2 Ignition Coil and Igniter No.1  
 I 3 Ignition Coil and Igniter No.2  
 I 4 Ignition Coil and Igniter No.3  
 I 5 Ignition Coil and Igniter No.4  
 I 6 Injector No.1  
 I 7 Injector No.2  
 I 8 Injector No.3  
 I 9 Injector No.4

J 1 Junction Connector

K 1 Knock Sensor

M 1 Mass Air Flow Meter

N 1 Noise Filter (Ignition)

O 1 Oil Pressure SW

P 1 Power Steering Oil Pressure SW

P 2 Pressure SW

R 1 Radiator Fan Motor

R 2 Radiator Fan Resistor

S 1 Skid Control ECU with Actuator

S 2 Starter

S 3 Starter

T 1 Throttle Position Sensor

V 1 Vehicle Speed Sensor (Combination Meter)

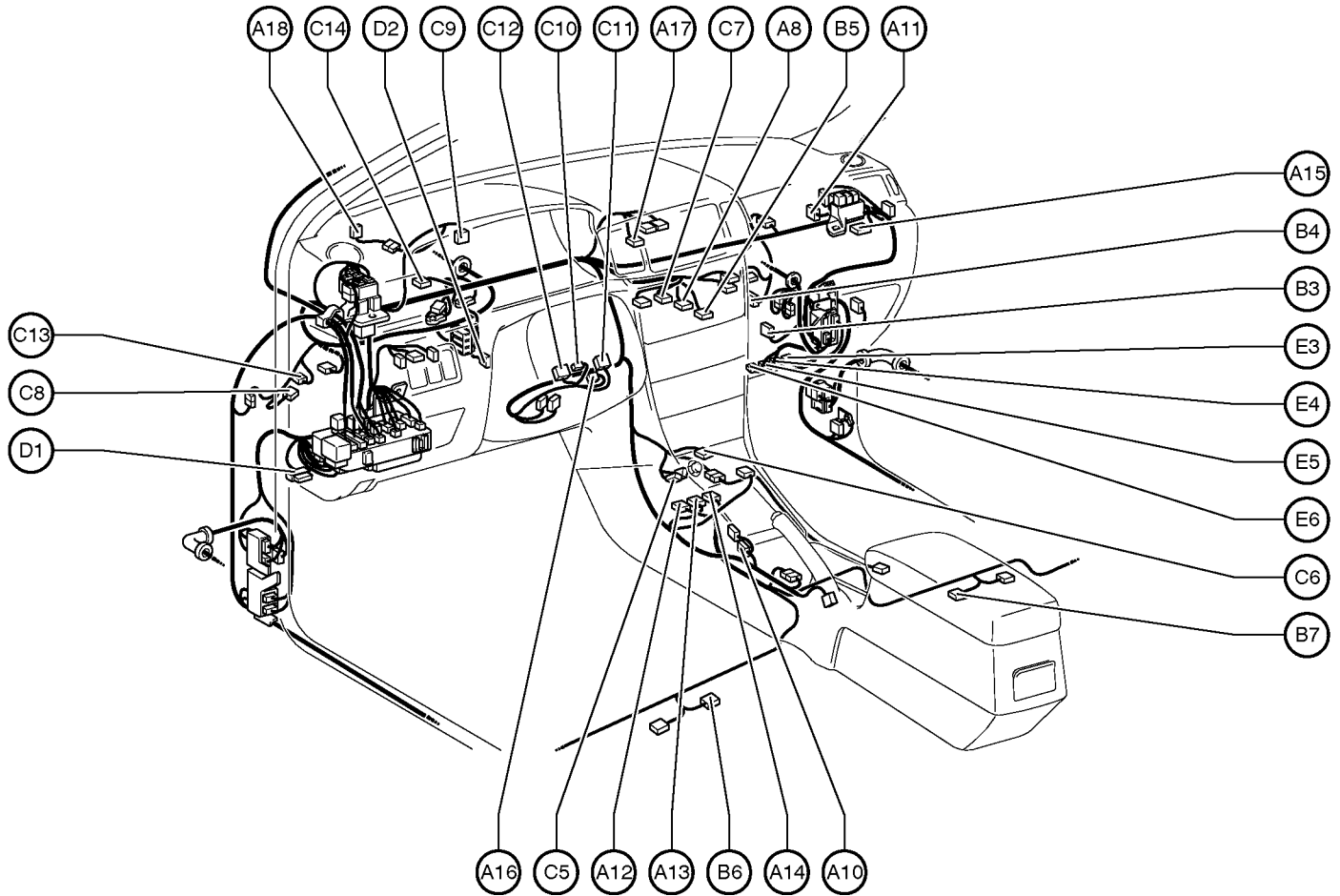
V 2 VSV (Canister Closed Valve)

V 3 VSV (EVAP)

W 1 Washer Level Sensor

# G ELECTRICAL WIRING ROUTING

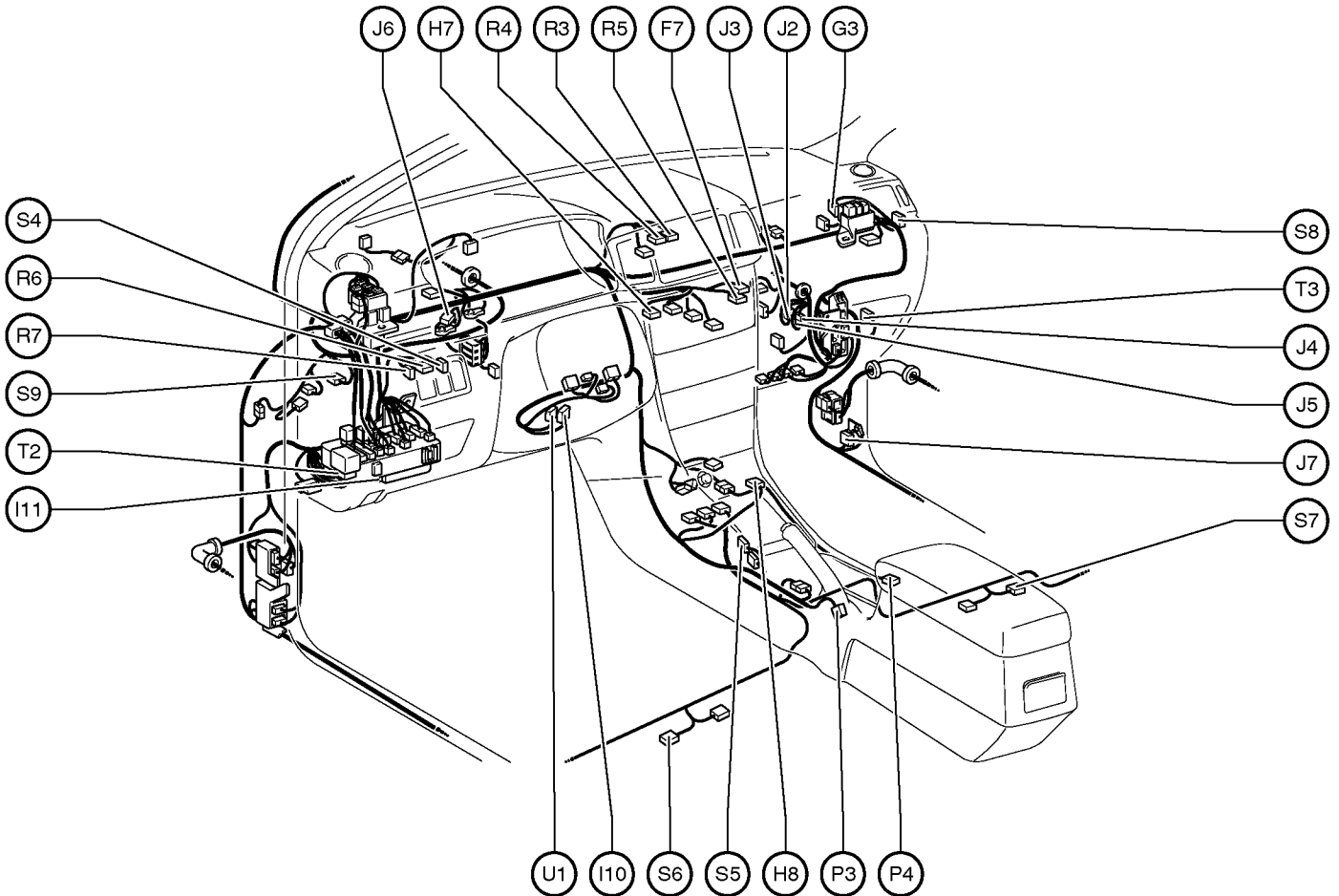
## Position of Parts in Instrument Panel



- |   |   |
|---|---|
| A 8 A/C SW<br>Air Inlet Control SW<br>Defroster Mode Detection SW | C 5 Cigarette Lighter<br>Power Outlet (Front) |
| A 10 A/T Shift Lever Illumination<br>O/D Main SW                  | C 6 Cigarette Lighter Illumination            |
| A 11 Air Inlet Control Servo Motor                                | C 7 Clock                                     |
| A 12 Airbag Sensor Assembly                                       | C 8 Clutch Start SW                           |
| A 13 Airbag Sensor Assembly                                       | C 9 Combination Meter                         |
| A 14 Airbag Sensor Assembly                                       | C 10 Combination SW                           |
| A 15 Airbag Squib (Front Passenger Airbag Assembly)               | C 11 Combination SW                           |
| A 16 Airbag Squib (Steering Wheel Pad)                            | C 12 Combination SW                           |
| A 17 Antenna Amplifier  | C 13 Cruise Control Clutch SW                 |
| A 18 Automatic Light Control Sensor                               | C 14 Cruise Control ECU                       |
| B 3 Blower Motor  | D 1 Data Link Connector 3                     |
| B 4 Blower Resistor   | D 2 Daytime Running Light Relay               |
| B 5 Blower SW   | E 3 Engine Control Module                     |
| B 6 Buckle SW LH<br>Seat Position Sensor                          | E 4 Engine Control Module                     |
| B 7 Buckle SW RH<br>Occupant Detection Sensor                     | E 5 Engine Control Module                     |
|   | E 6 Engine Control Module                     |



## Position of Parts in Instrument Panel



F 7 Front Passenger Seat Belt Warning Light

G 3 Glass Breakage Sensor ECU

H 7 Hazard SW

H 8 Heated Oxygen Sensor (Bank 1 Sensor 2)

I 10 Ignition SW

I 11 Integration Relay

J 2 Junction Connector

J 3 Junction Connector

J 4 Junction Connector

J 5 Junction Connector

J 6 Junction Connector

J 7 Junction Connector

P 3 Parking Brake SW

P 4 Power Outlet (Rear)

R 3 Radio and Player

R 4 Radio and Player

R 5 Rear Window Defogger SW

R 6 Remote Control Mirror SW

R 7 Rheostat

S 4 Security Indicator

S 5 Shift Lock Control ECU

S 6 Side Airbag Squib LH

S 7 Side Airbag Squib RH

S 8 Starter Cut Relay

S 9 Stop Light SW

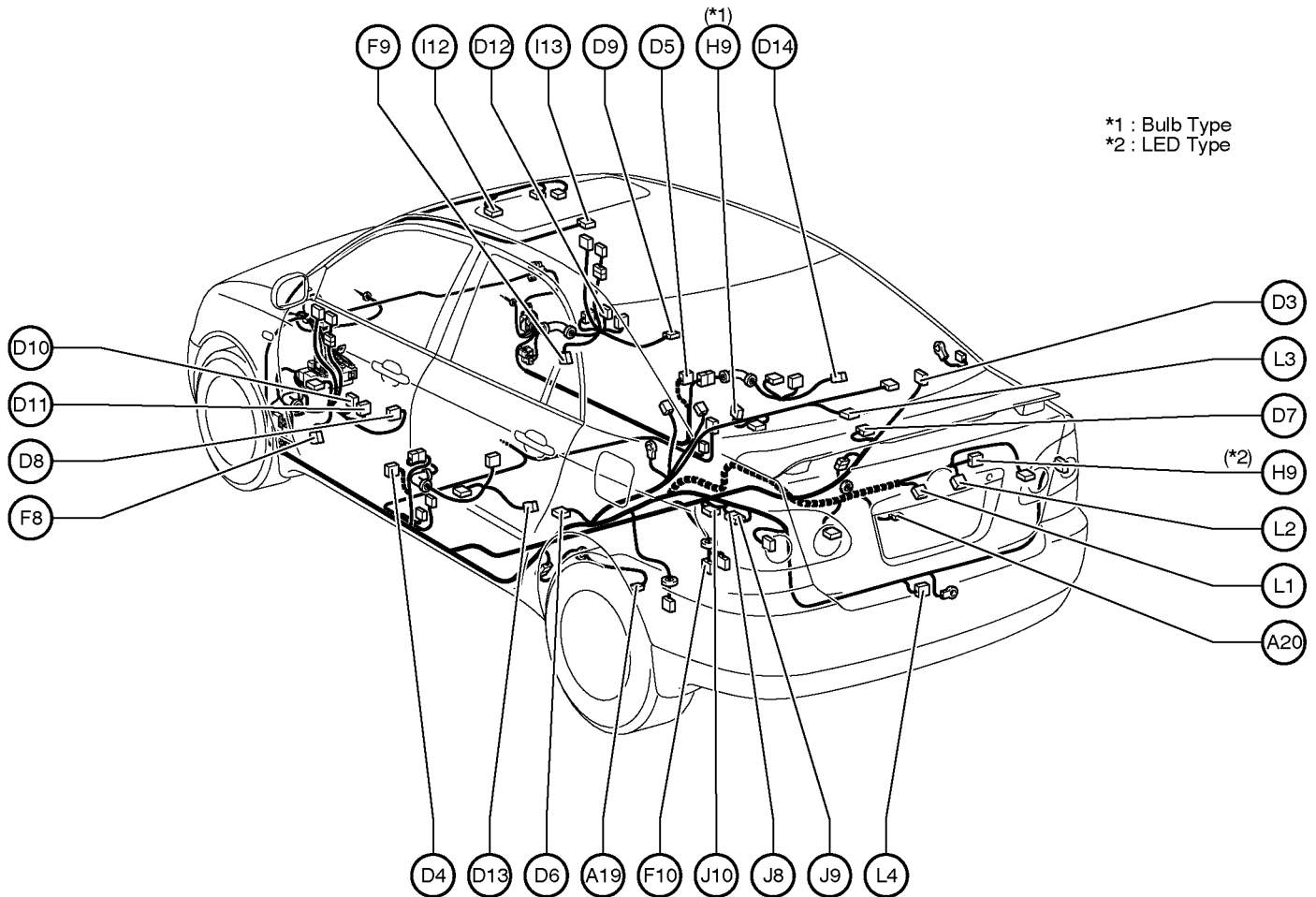
T 2 Turn Signal Flasher Relay

T 3 TVIP ECU

U 1 Unlock Warning SW

# G ELECTRICAL WIRING ROUTING

## Position of Parts in Body

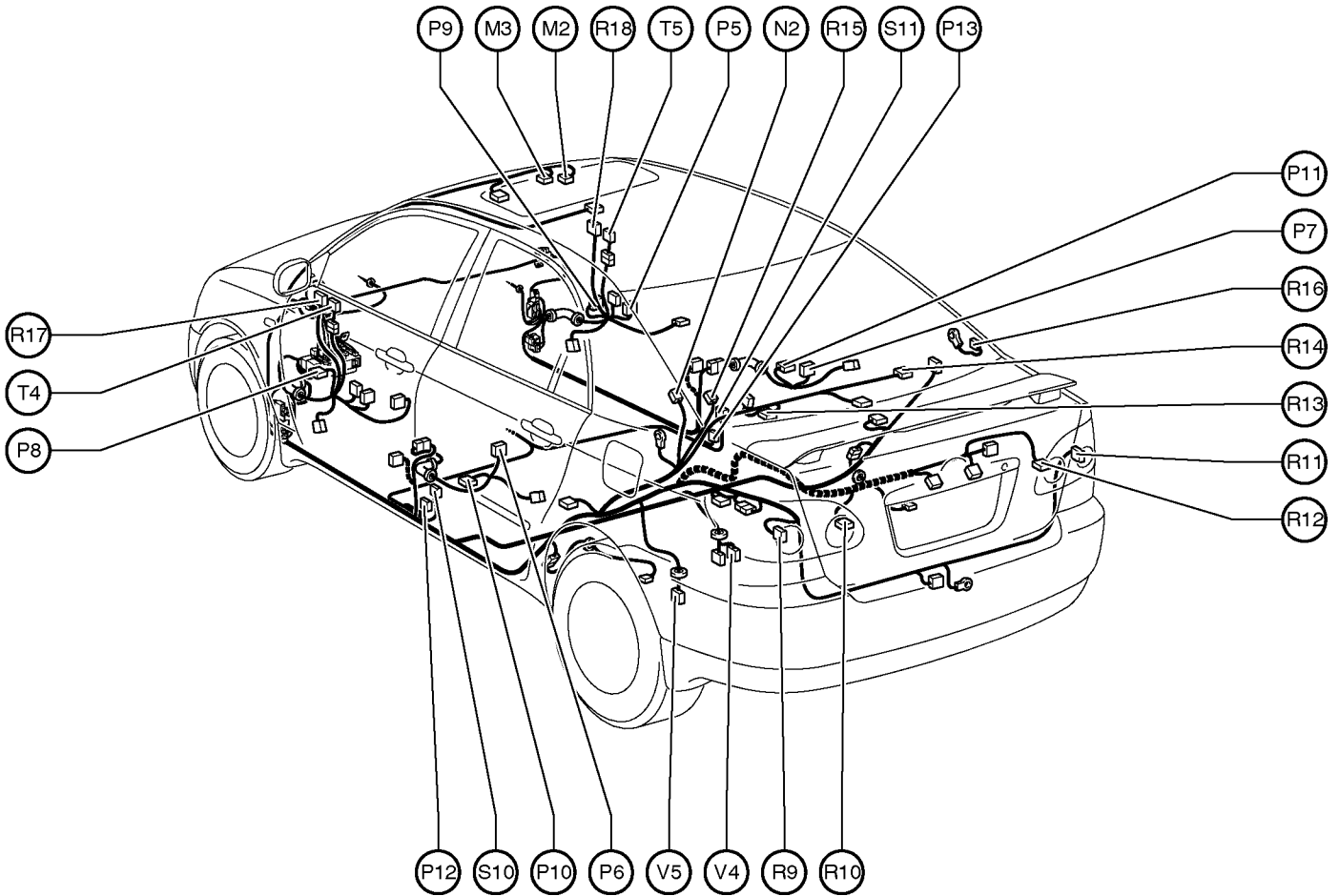


A 19 ABS Speed Sensor Rear LH  
A 20 ABS Speed Sensor Rear RH

D 3 Door Control Receiver  
D 4 Door Courtesy SW Front LH  
D 5 Door Courtesy SW Front RH  
D 6 Door Courtesy SW Rear LH  
D 7 Door Courtesy SW Rear RH  
D 8 Door Key Lock and Unlock SW Front LH  
Door Lock Motor Front LH  
Door Unlock Detection SW Front LH  
D 9 Door Key Lock and Unlock SW Front RH  
Door Lock Motor Front RH  
Door Unlock Detection SW Front RH  
D 10 Door Lock Control SW Front LH  
D 11 Door Lock Control SW Front LH  
Power Window Master SW  
D 12 Door Lock Control SW Front RH  
D 13 Door Lock Motor Rear LH  
D 14 Door Lock Motor Rear RH

F 8 Front Door Speaker LH  
F 9 Front Door Speaker RH  
F 10 Fuel Pump  
Fuel Sender  
H 9 High Mounted Stop Light  
I 12 Inner Mirror  
Personal Light  
I 13 Interior Light  
J 8 Junction Connector  
J 9 Junction Connector  
J 10 Junction Connector  
L 1 License Plate Light LH  
L 2 License Plate Light RH  
L 3 Luggage Compartment Light  
L 4 Luggage Compartment Light SW

## Position of Parts in Body



M 2 Moon Roof Control Relay and SW  
Personal Light

M 3 Moon Roof Motor and Limit SW

N 2 Noise Filter (Rear Window Defogger)

P 5 Power Window Control SW Front RH

P 6 Power Window Control SW Rear LH

P 7 Power Window Control SW Rear RH

P 8 Power Window Motor Front LH

P 9 Power Window Motor Front RH

P10 Power Window Motor Rear LH

P11 Power Window Motor Rear RH

P12 Pretensioner LH

P13 Pretensioner RH

R 9 Rear Combination Light LH

R10 Rear Combination Light LH

R11 Rear Combination Light RH

R12 Rear Combination Light RH

R13 Rear Speaker LH

R14 Rear Speaker RH

R15 Rear Window Defogger

R16 Rear Window Defogger

R17 Remote Control Mirror LH

R18 Remote Control Mirror RH

S10 Side Airbag Sensor LH

S11 Side Airbag Sensor RH

T 4 Tweeter LH

T 5 Tweeter RH

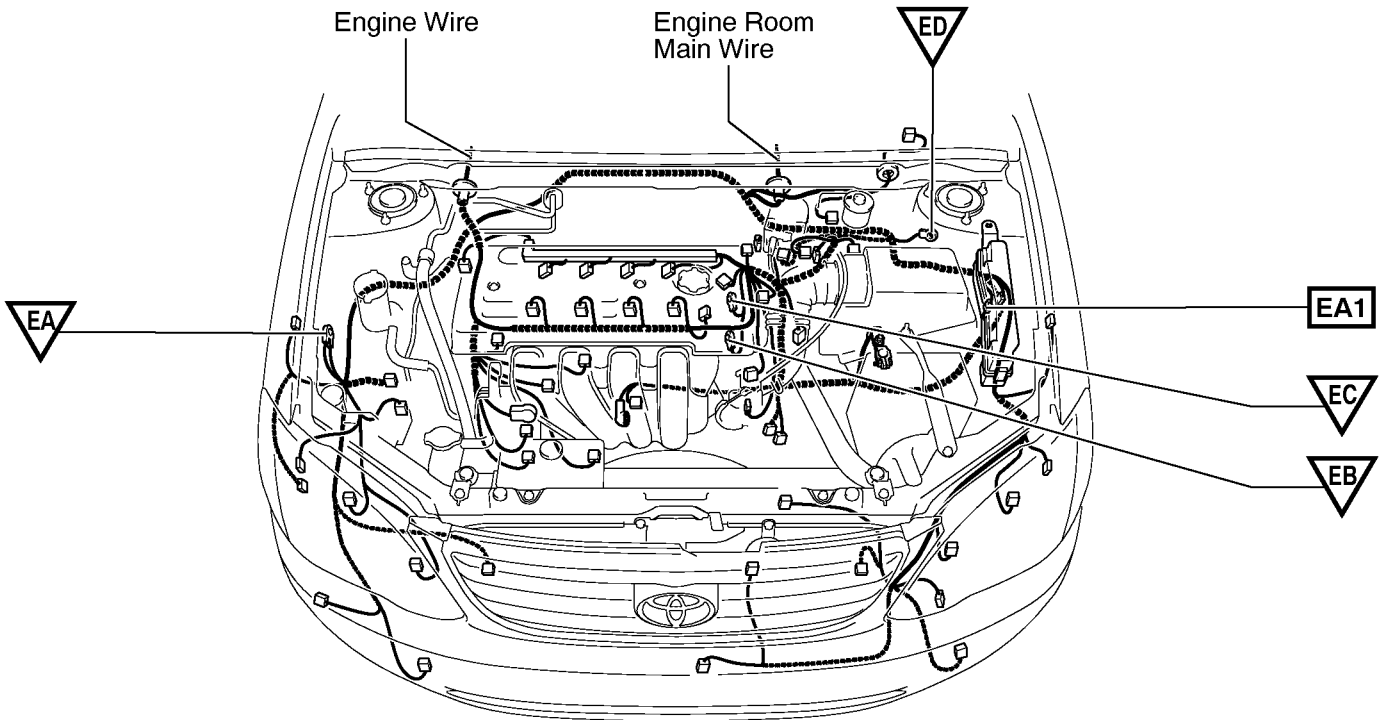
V 4 Vapor Pressure Sensor

V 5 VSV (Vapor Pressure Sensor)

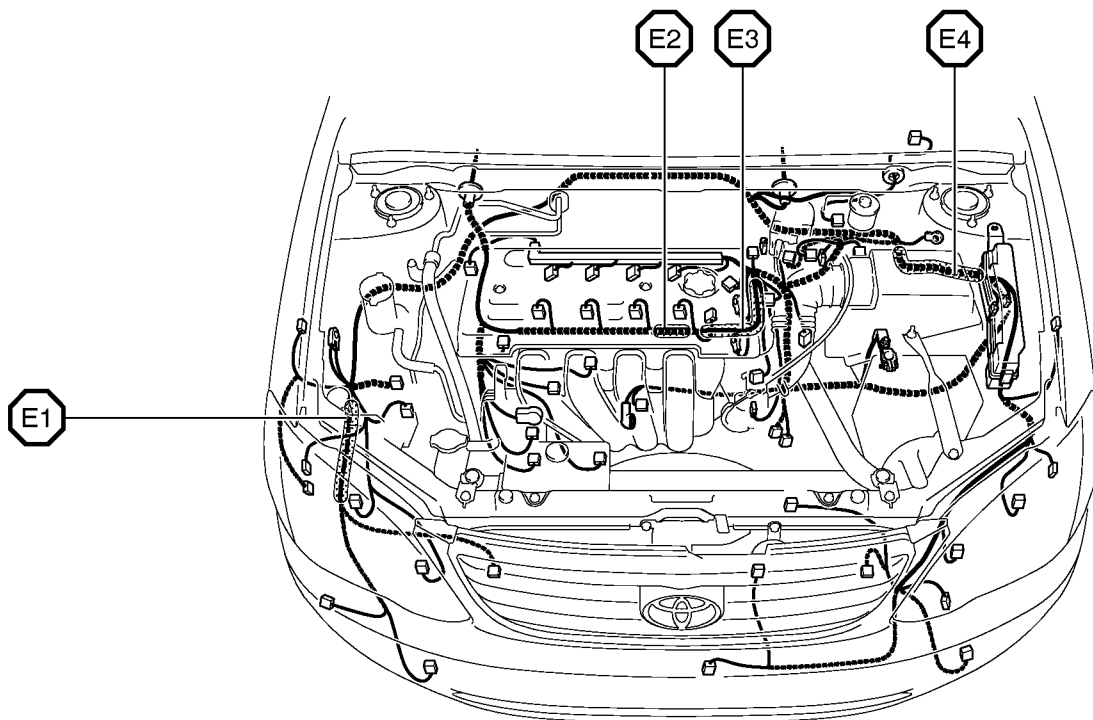
## G ELECTRICAL WIRING ROUTING

□ : Location of Connector Joining Wire Harness and Wire Harness

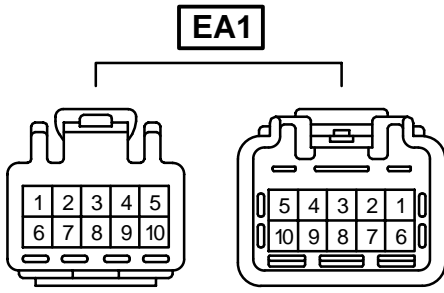
▽ : Location of Ground Points



○ : Location of Splice Points



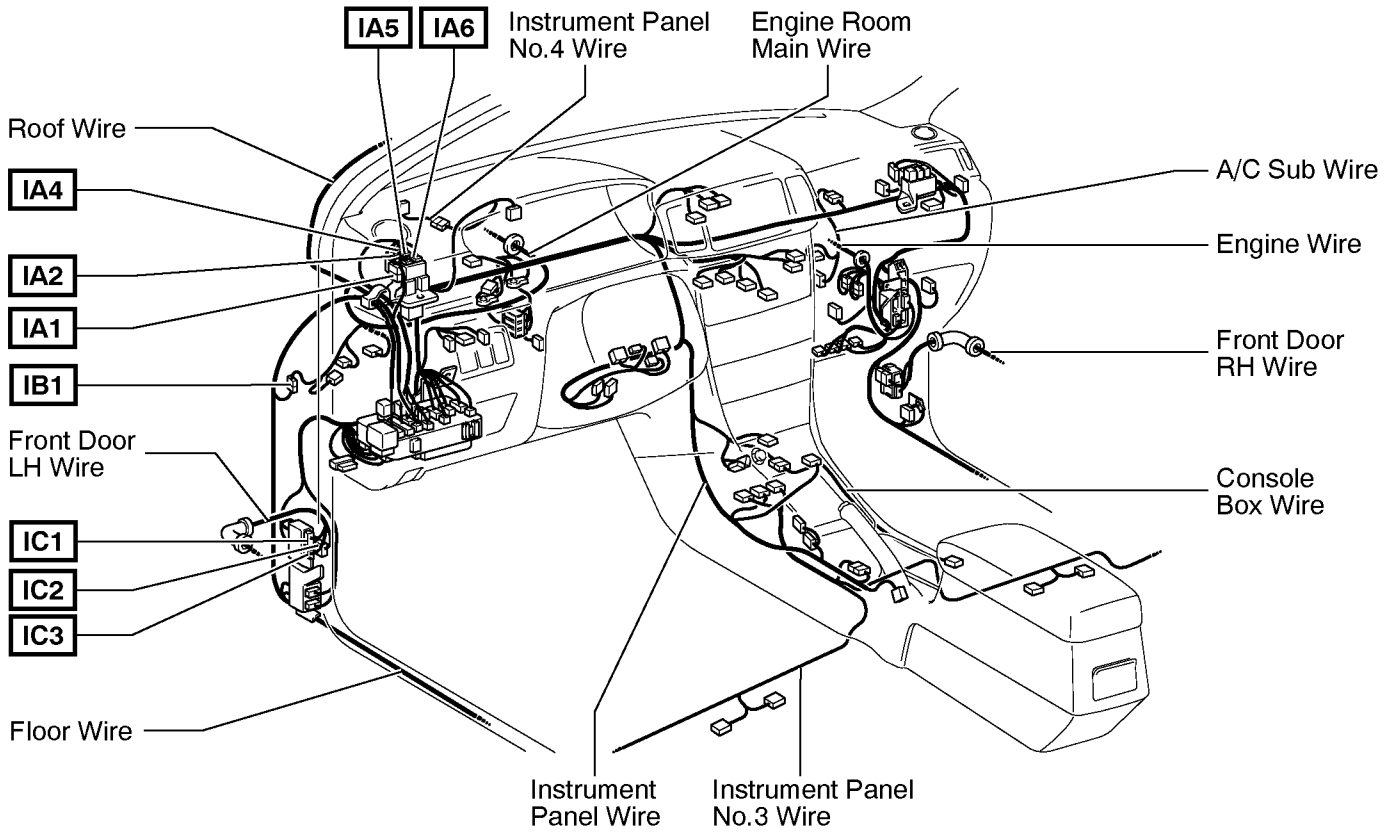
## Connector Joining Wire Harness and Wire Harness



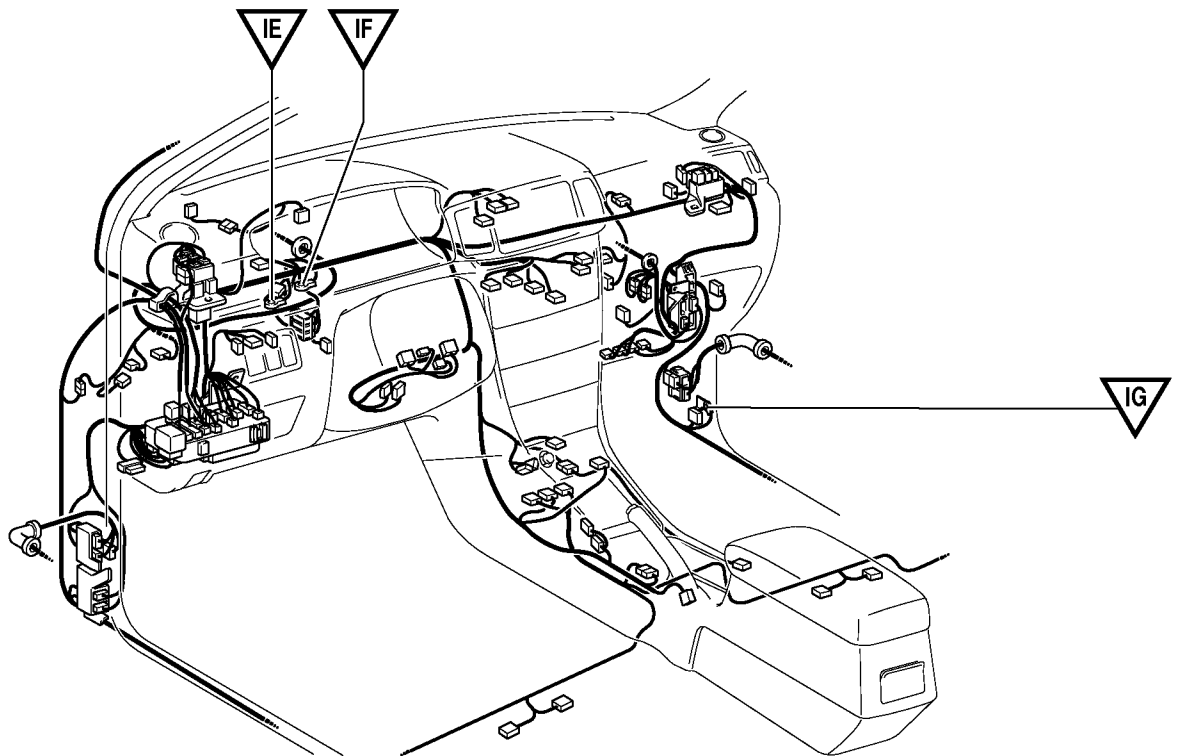
Code	Joining Wire Harness and Wire Harness (Connector Location)
EA1	Engine Wire and Engine Room Main Wire (Inside of the Engine Room R/B)

# G ELECTRICAL WIRING ROUTING

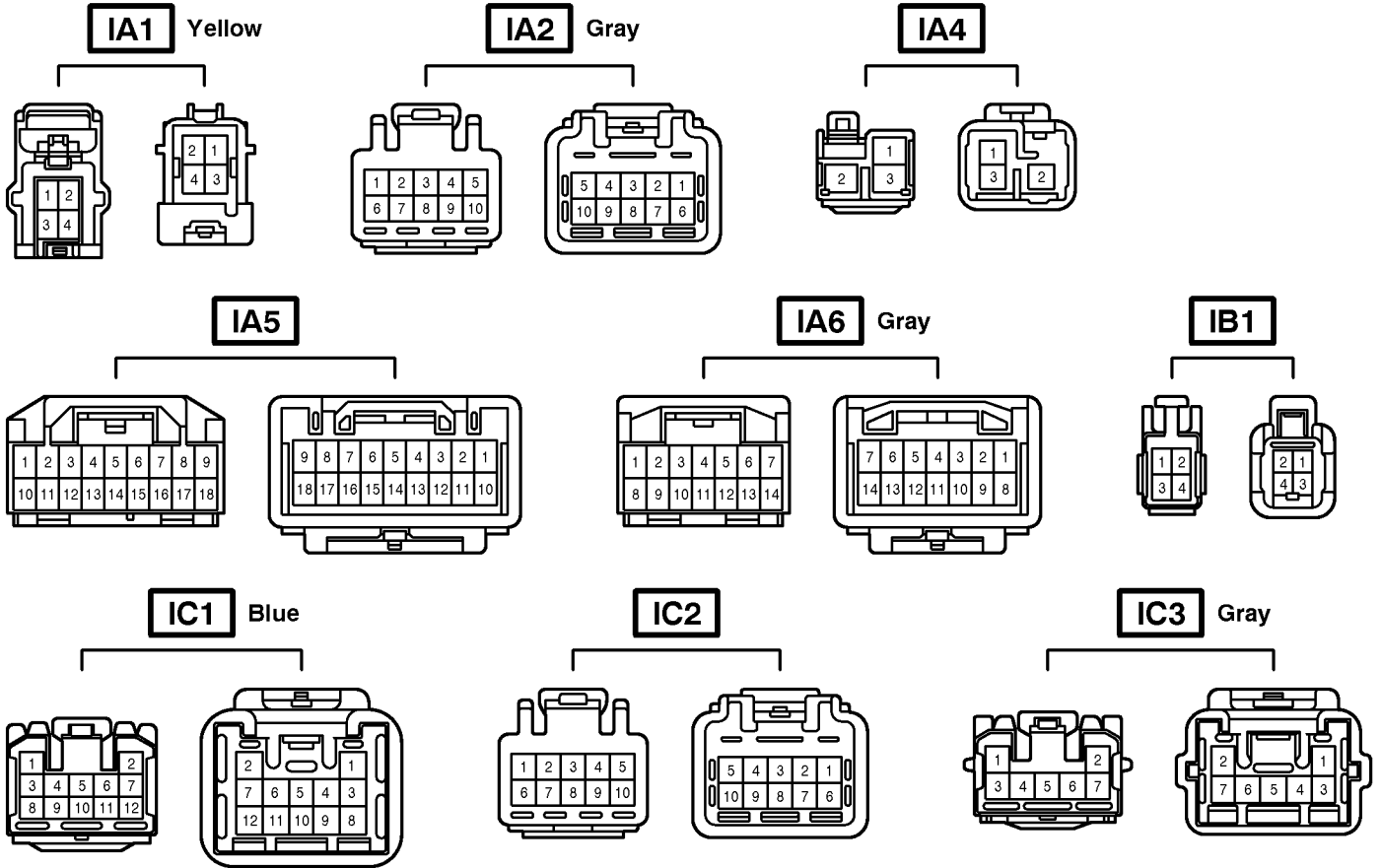
**□ : Location of Connector Joining Wire Harness and Wire Harness**



**▽ : Location of Ground Points**



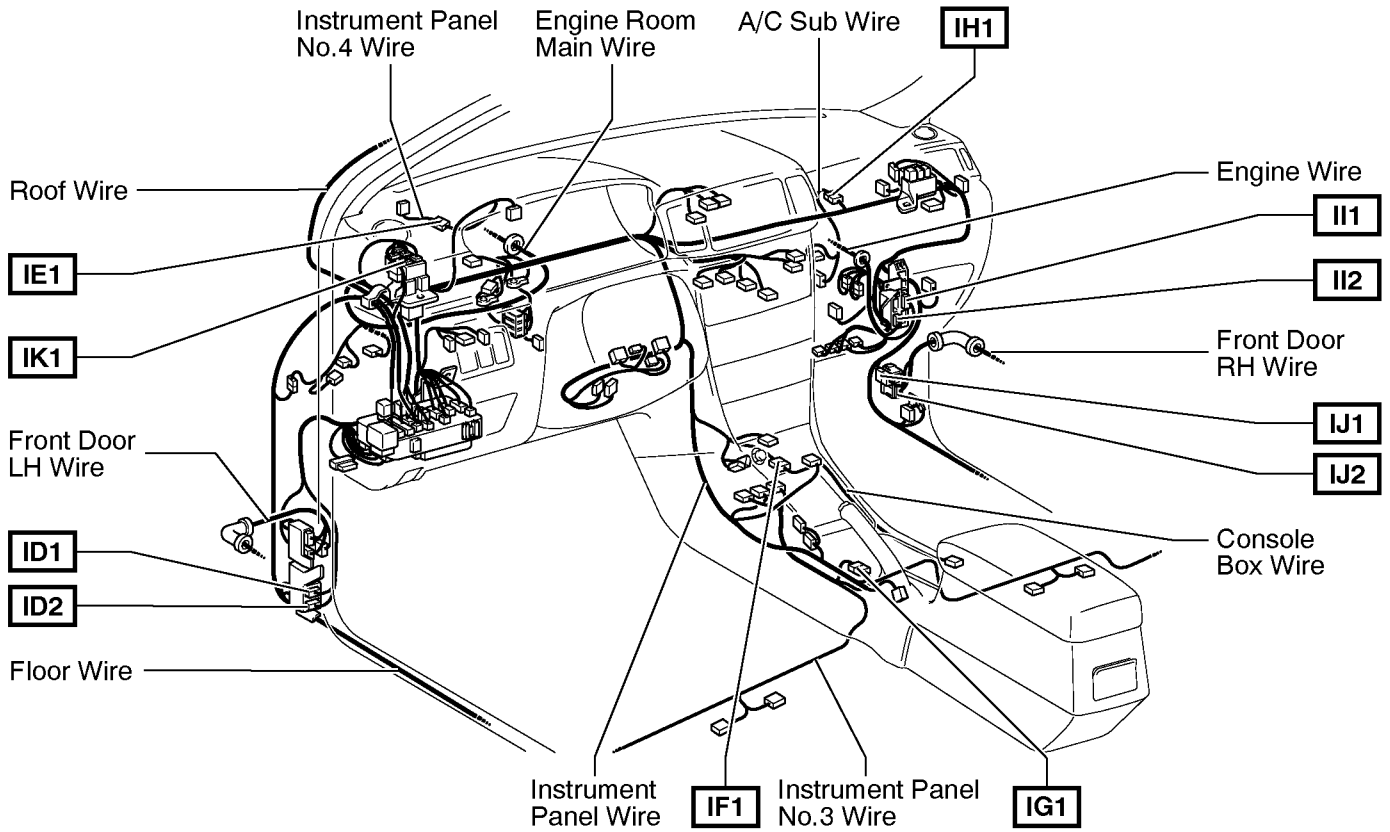
## Connector Joining Wire Harness and Wire Harness



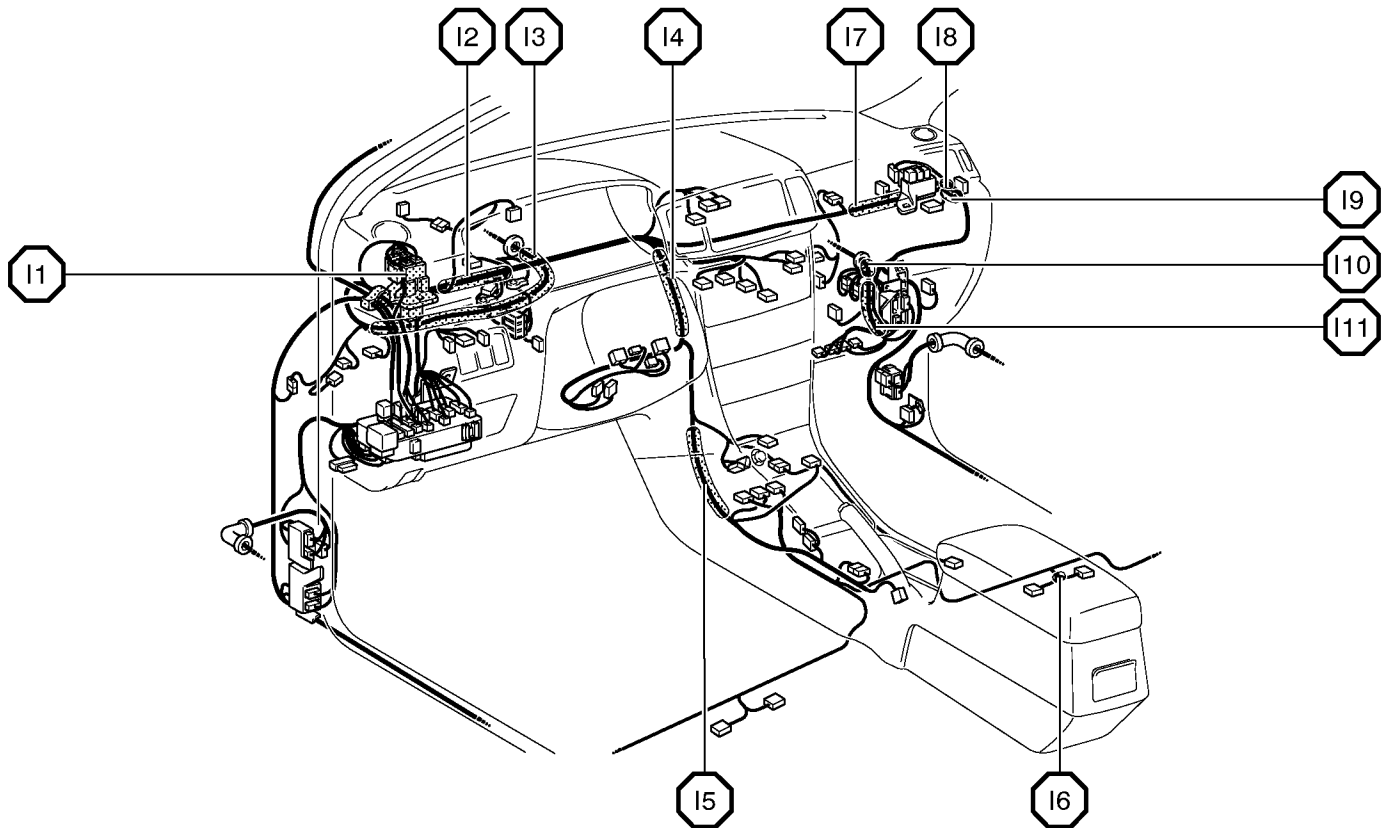
Code	Joining Wire Harness and Wire Harness (Connector Location)
IA1	Engine Room Main Wire and Instrument Panel Wire (Left Side of the Instrument Panel Reinforcement)
IA2	
IA4	
IA5	
IA6	
IB1	
IC1	Front Door LH Wire and Instrument Panel Wire (Left Kick Panel)
IC2	
IC3	

# G ELECTRICAL WIRING ROUTING

**□ : Location of Connector Joining Wire Harness and Wire Harness**

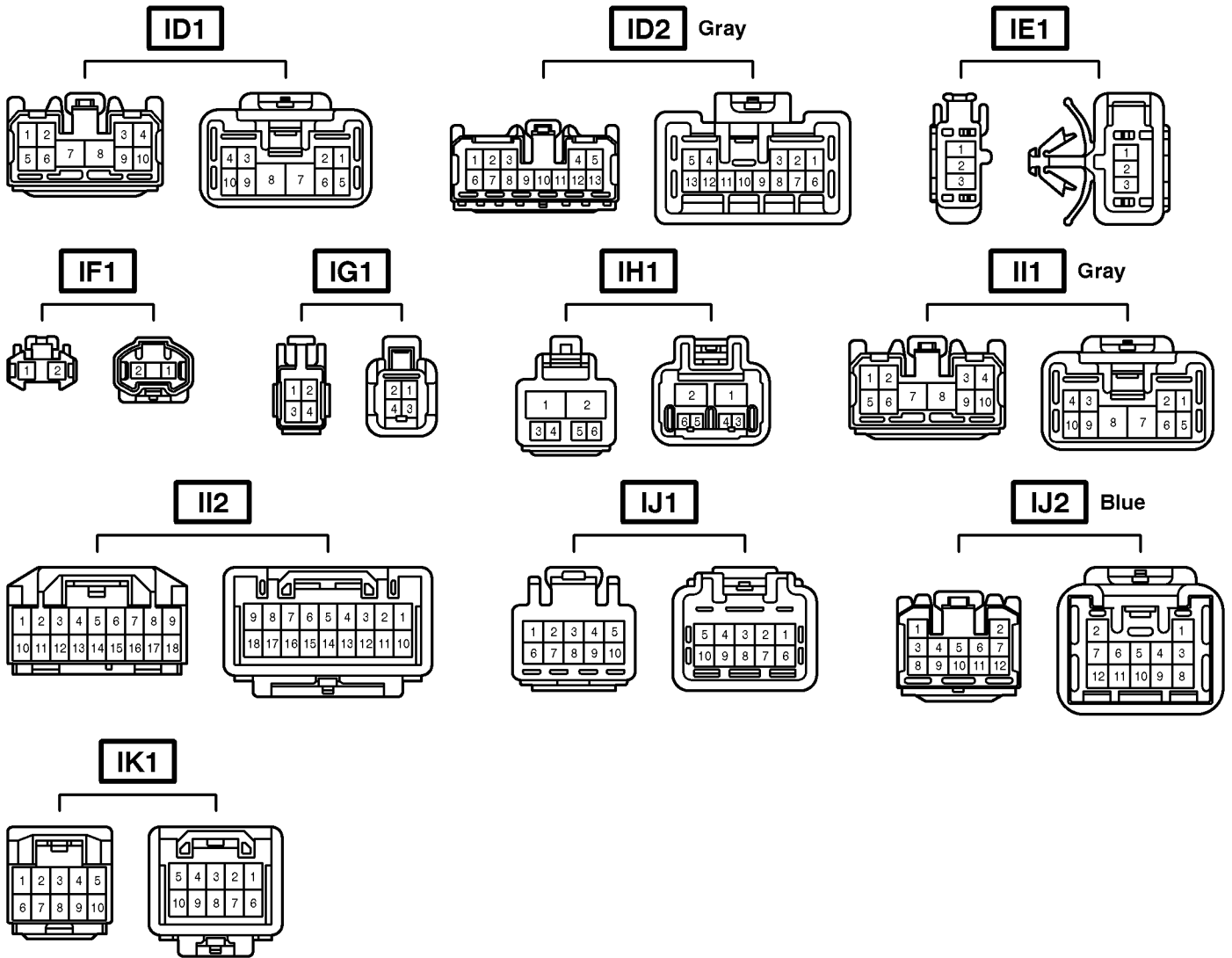


**○ : Location of Splice Points**





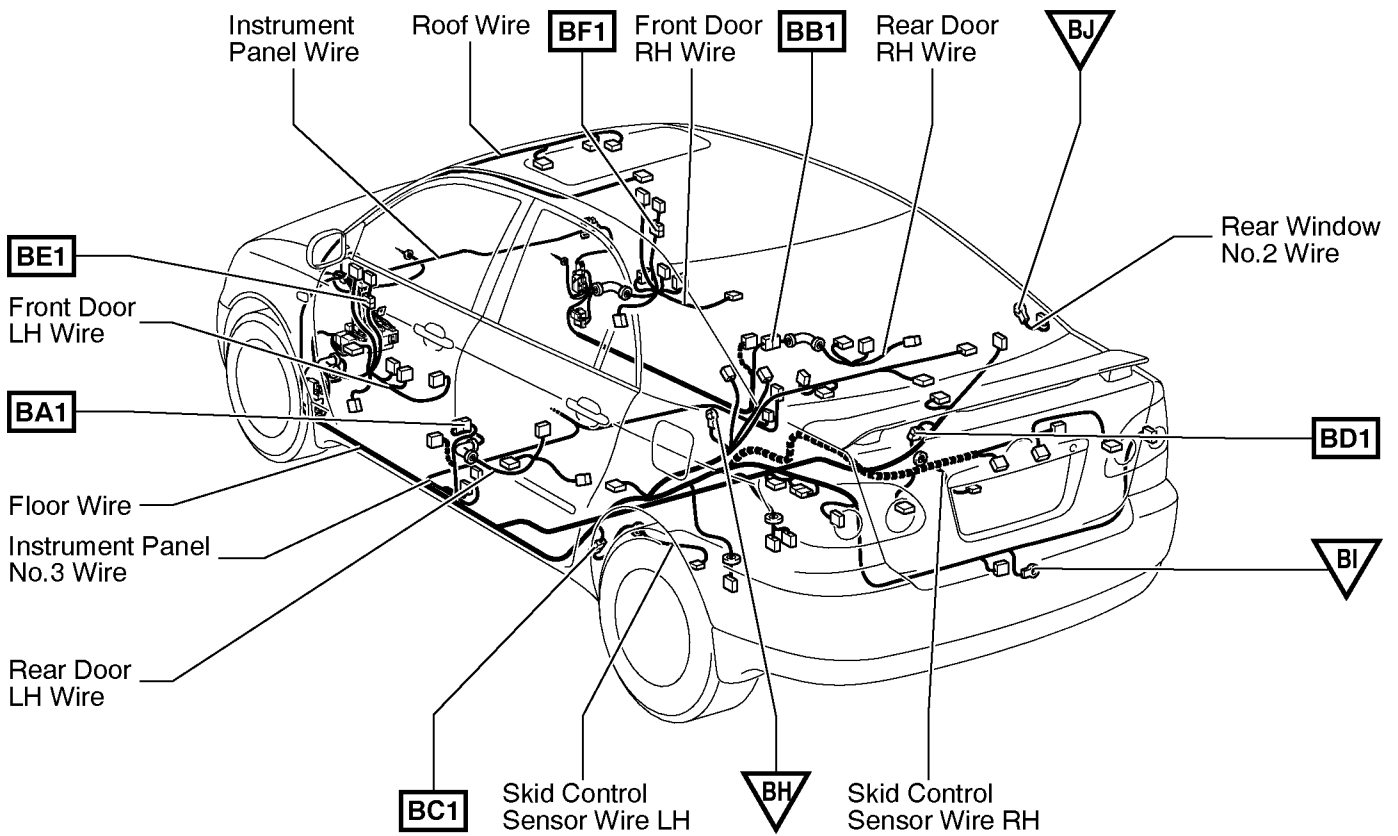
## Connector Joining Wire Harness and Wire Harness



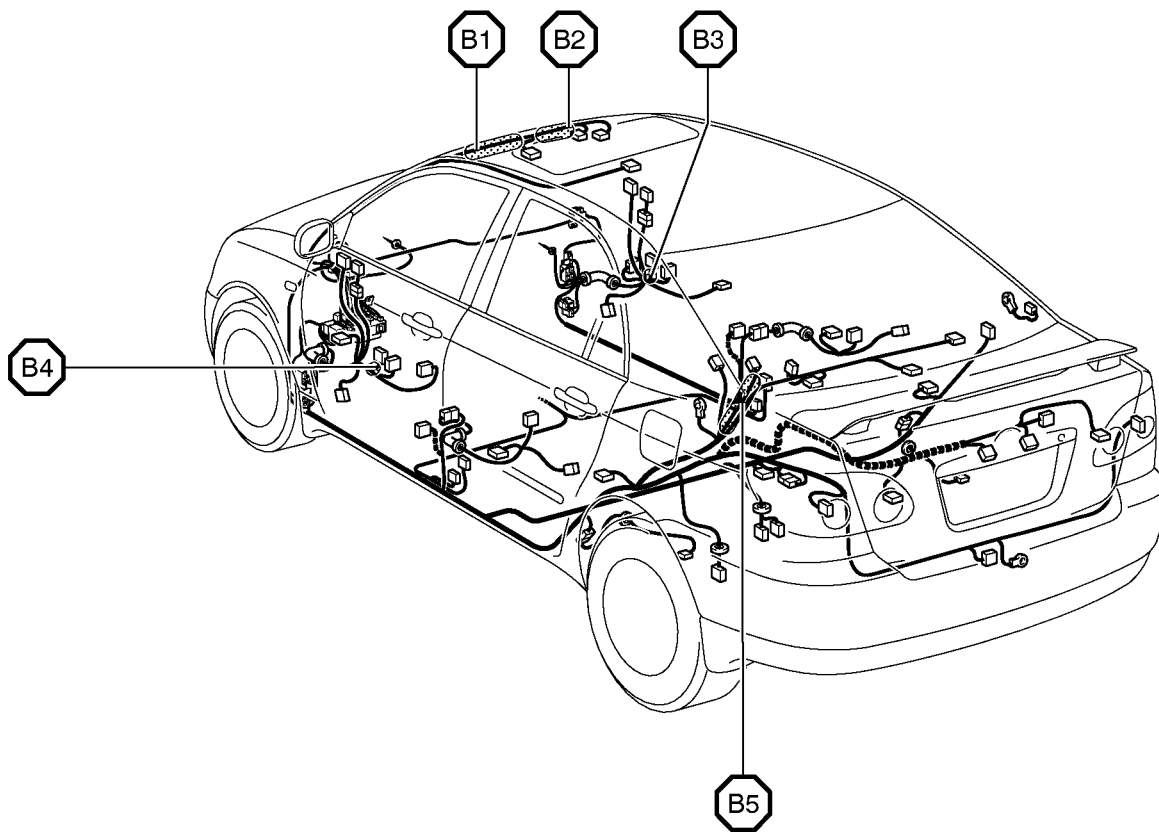
Code	Joining Wire Harness and Wire Harness (Connector Location)
ID1	Instrument Panel Wire and Floor Wire (Left Kick Panel)
ID2	Instrument Panel Wire and Floor Wire (Left Kick Panel)
IE1	Instrument Panel Wire and Instrument Panel No.4 Wire (Behind the Combination Meter)
IF1	Console Box Wire and Instrument Panel Wire (Under the Instrument Panel Center)
IG1	Instrument Panel Wire and Instrument Panel No.3 Wire (Front Side of the Parking Brake Lever)
IH1	Instrument Panel Wire and A/C Sub Wire (Left Upper Side of the Blower Unit)
II1	Engine Wire and Instrument Panel Wire (Blower Unit RH)
II2	Engine Wire and Instrument Panel Wire (Blower Unit RH)
IJ1	Front Door RH Wire and Instrument Panel Wire (Right Kick Panel)
IJ2	Front Door RH Wire and Instrument Panel Wire (Right Kick Panel)
IK1	Roof Wire and Instrument Panel Wire (Left Side of the Instrument Panel)

# G ELECTRICAL WIRING ROUTING

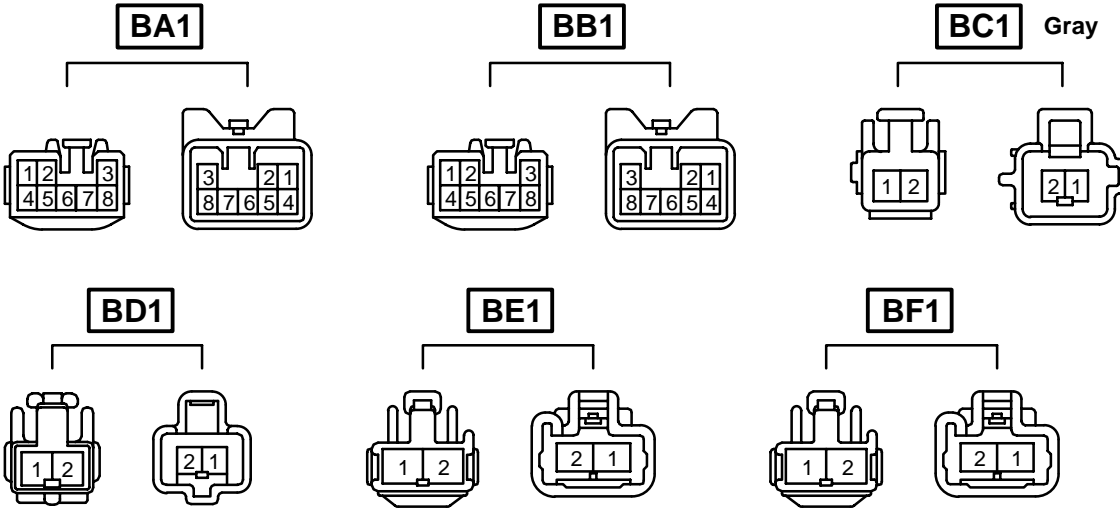
□ : Location of Connector Joining Wire Harness and Wire Harness  
 ▽ : Location of Ground Points



○ : Location of Splice Points



## Connector Joining Wire Harness and Wire Harness

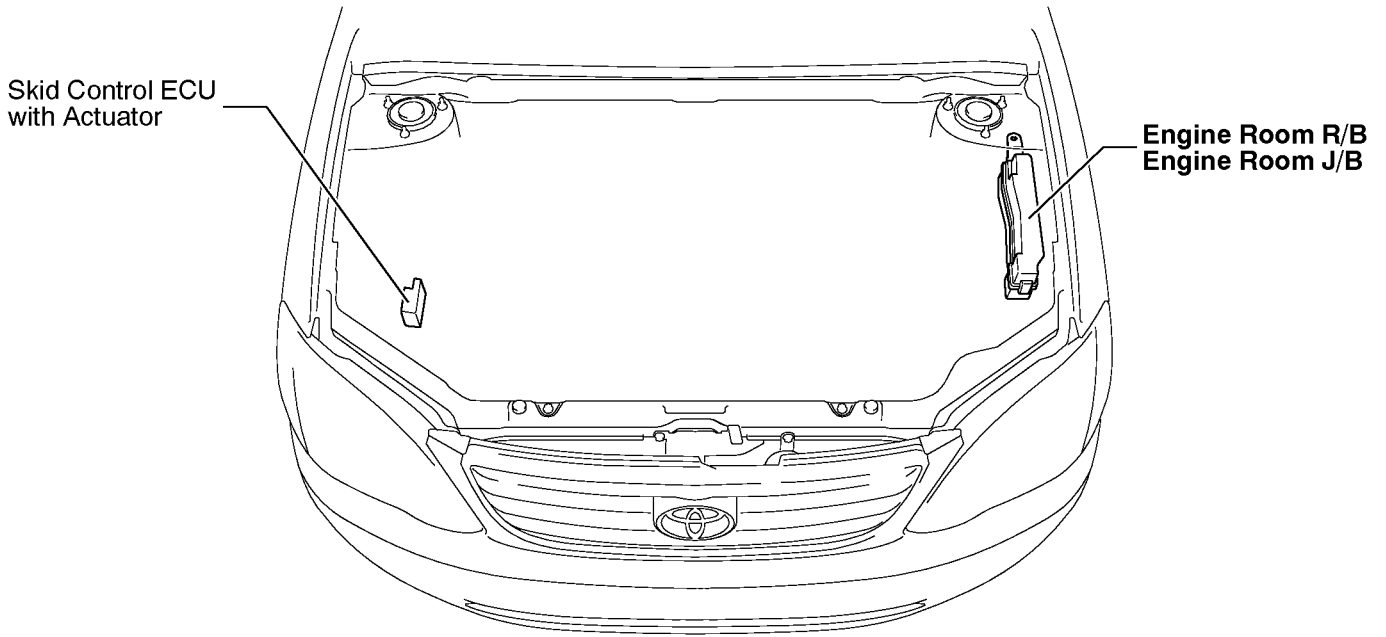


Code	Joining Wire Harness and Wire Harness (Connector Location)
BA1	Rear Door LH Wire and Floor Wire (Left Center Pillar)
BB1	Rear Door RH Wire and Instrument Panel Wire (Right Center Pillar)
BC1	Skid Control Sensor Wire LH and Floor Wire (Quarter Wheel House LH)
BD1	Skid Control Sensor Wire RH and Floor Wire (Quarter Wheel House RH)
BE1	Speaker Tweeter LH Wire and Front Door LH Wire (Inside of the Front Door LH)
BF1	Speaker Tweeter RH Wire and Front Door RH Wire (Inside of the Front Door RH)

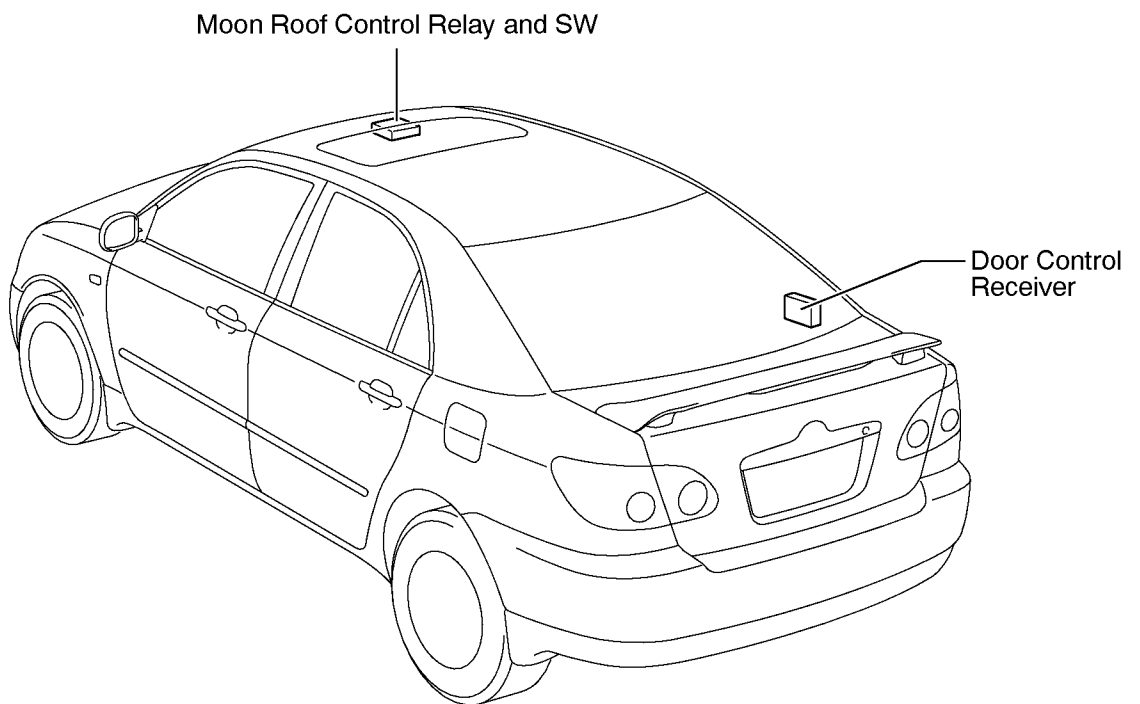


# F RELAY LOCATIONS

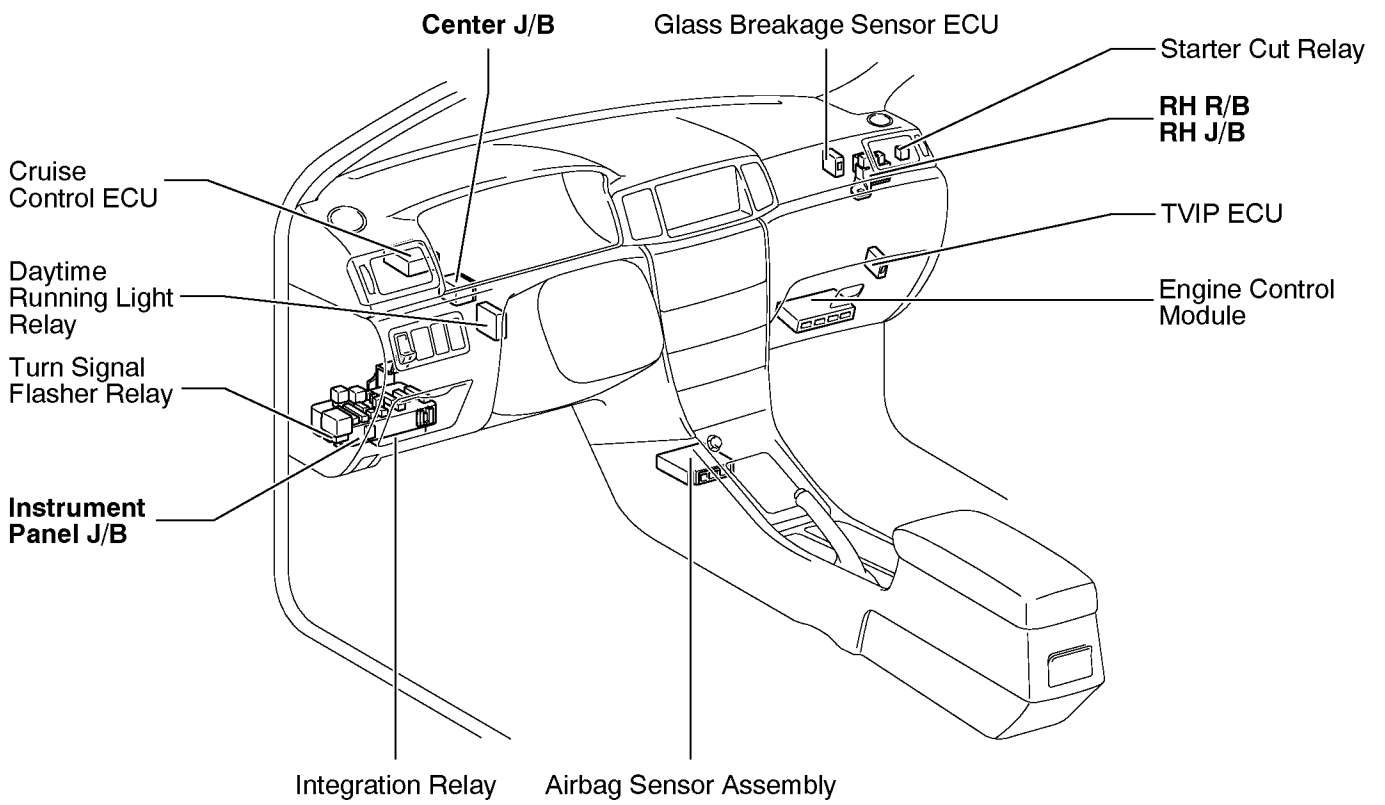
## [Engine Compartment]



## [Body]

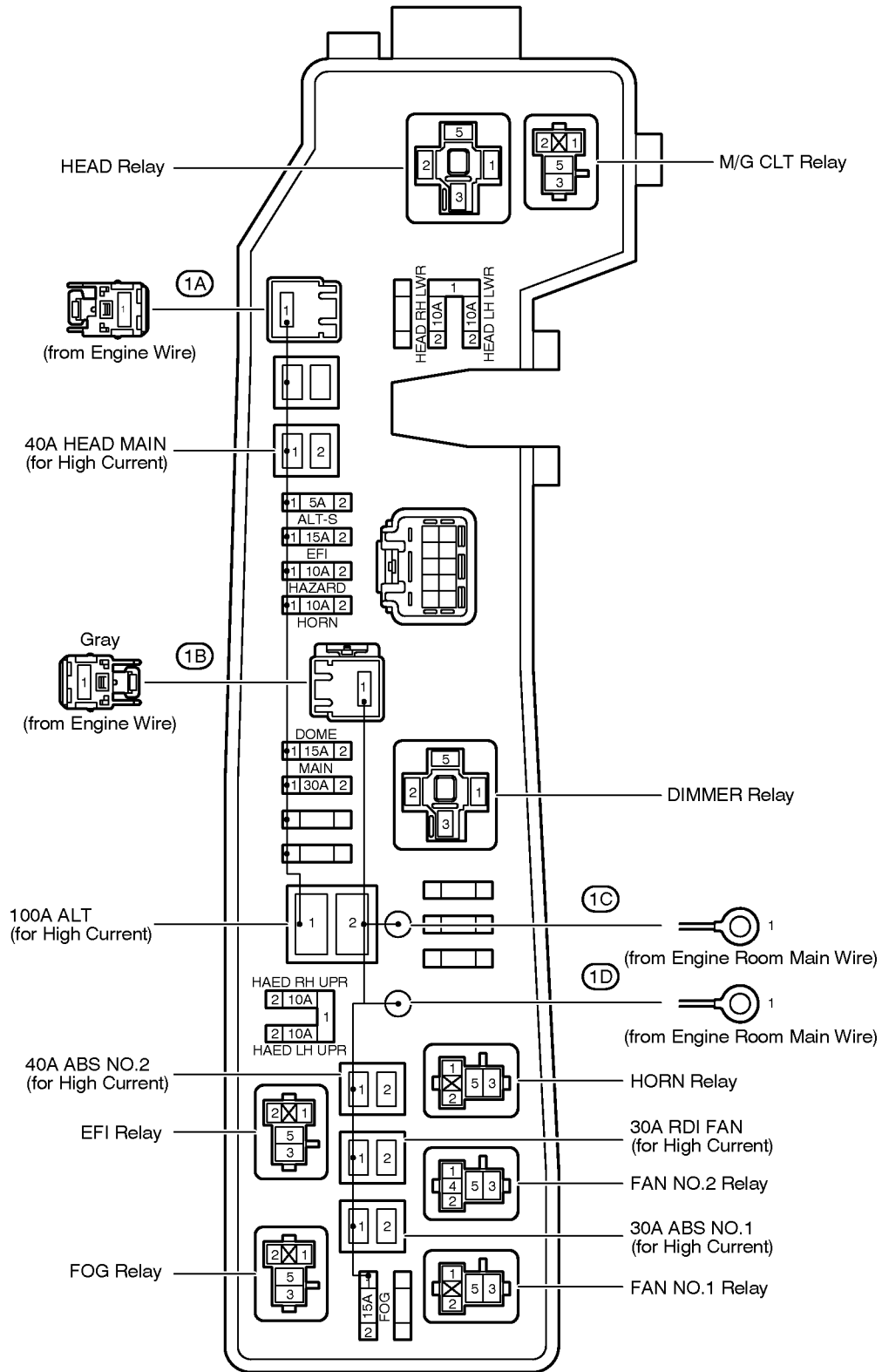


[Instrument Panel]



# F RELAY LOCATIONS

① : Engine Room R/B	<b>Engine Compartment Left (See Page 20)</b>
○ : Engine Room J/B	

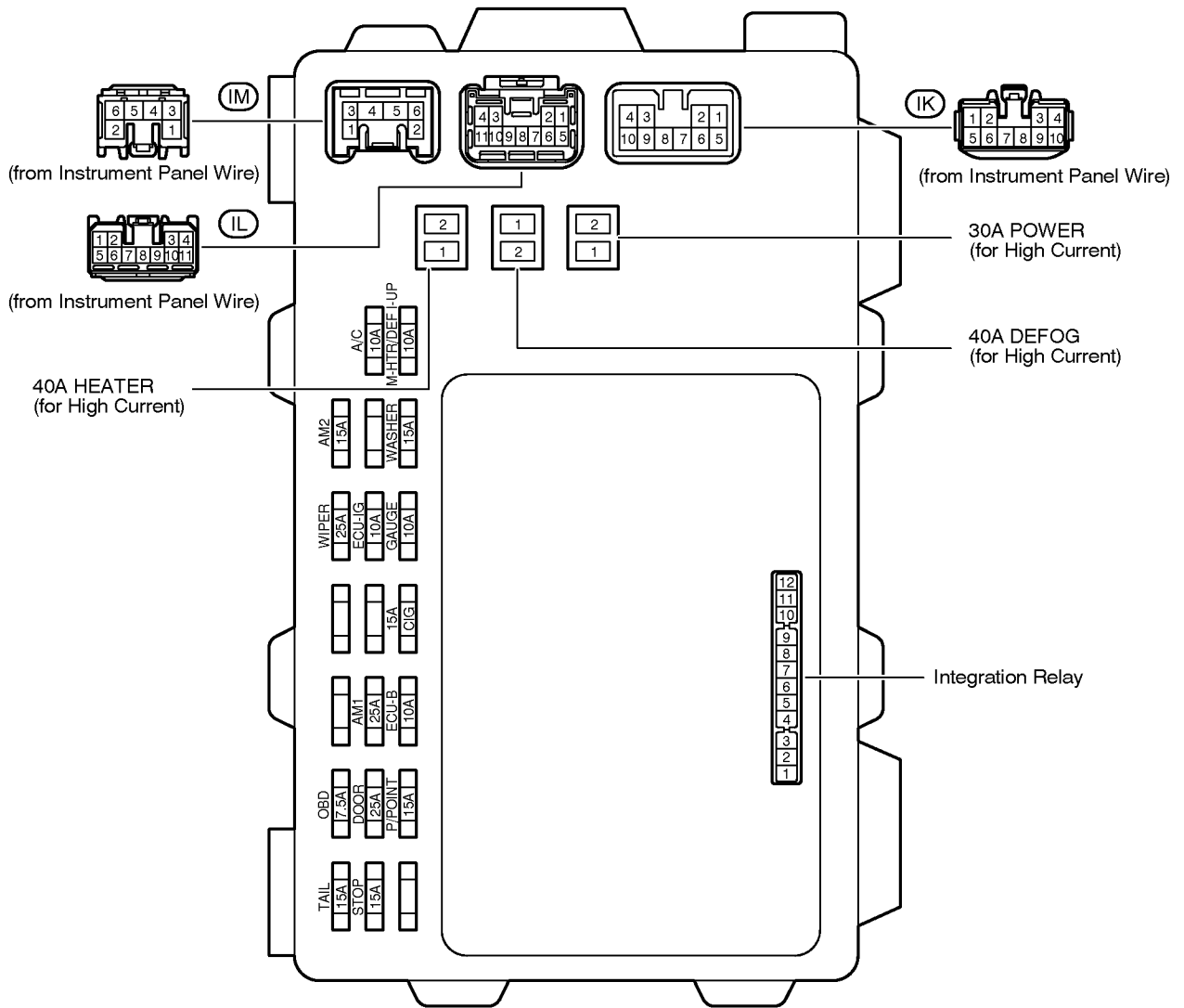


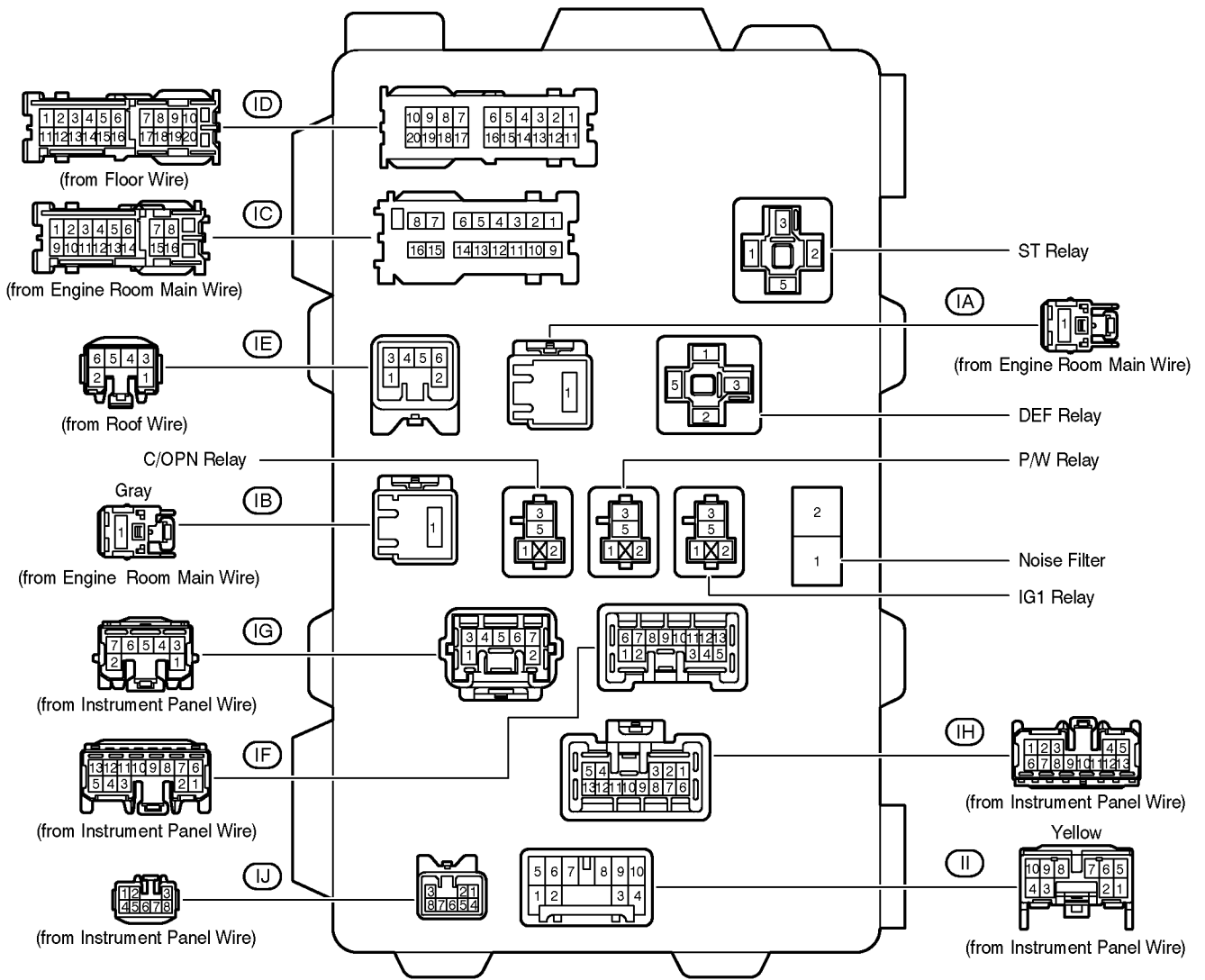




# F RELAY LOCATIONS

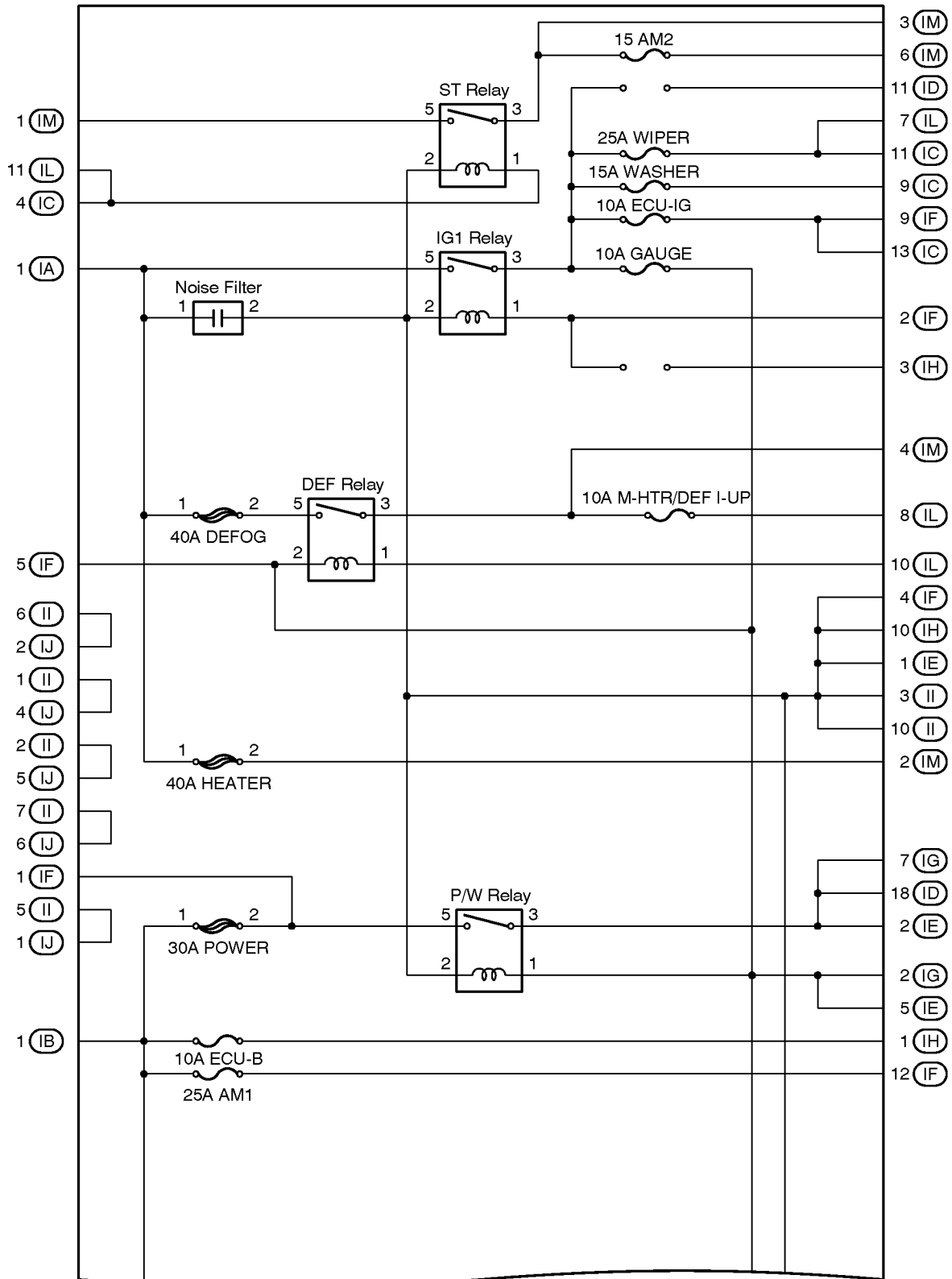
  : Instrument Panel J/B      Lower Finish Panel (See Page 21)





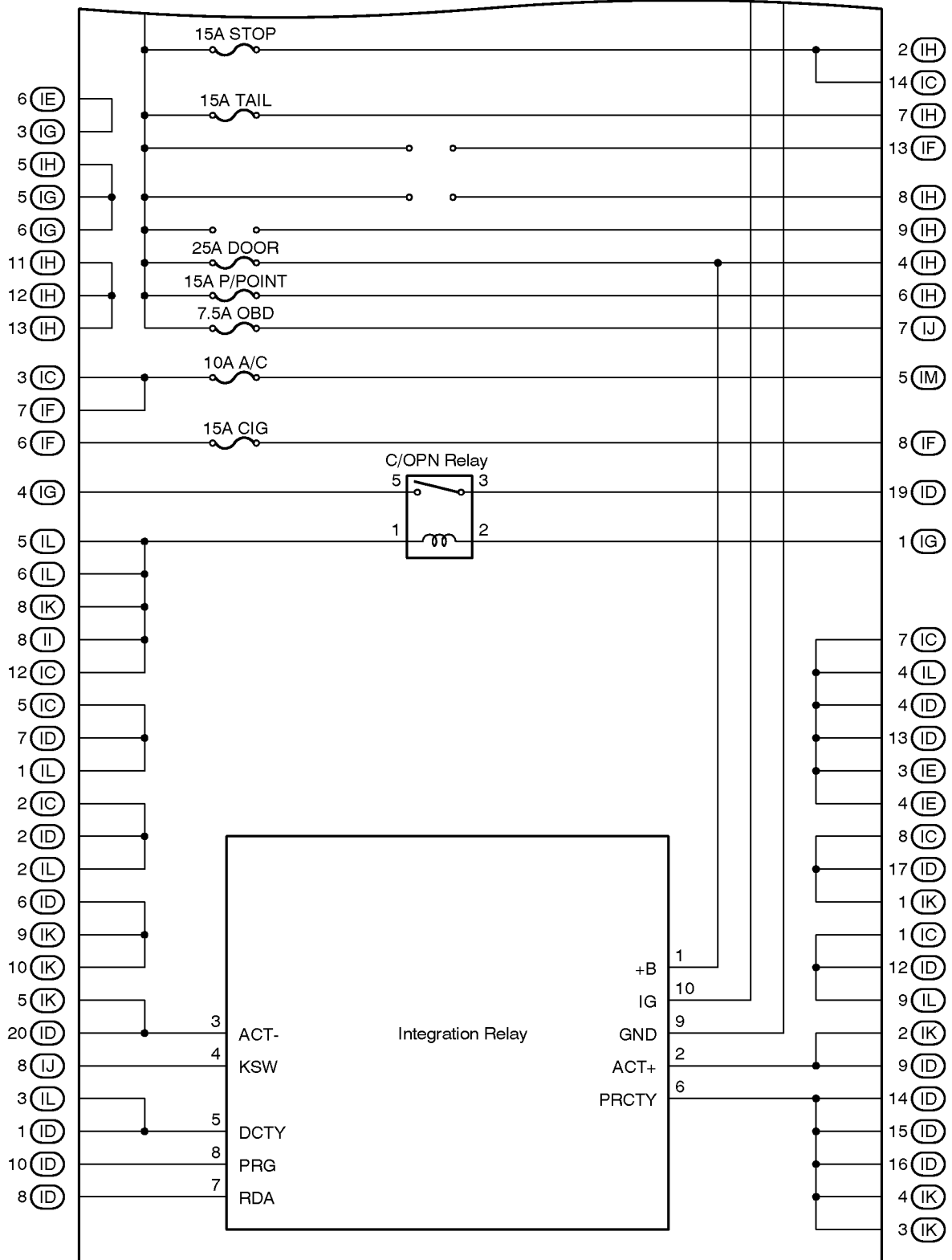
# F RELAY LOCATIONS

## [Instrument Panel J/B Inner Circuit]



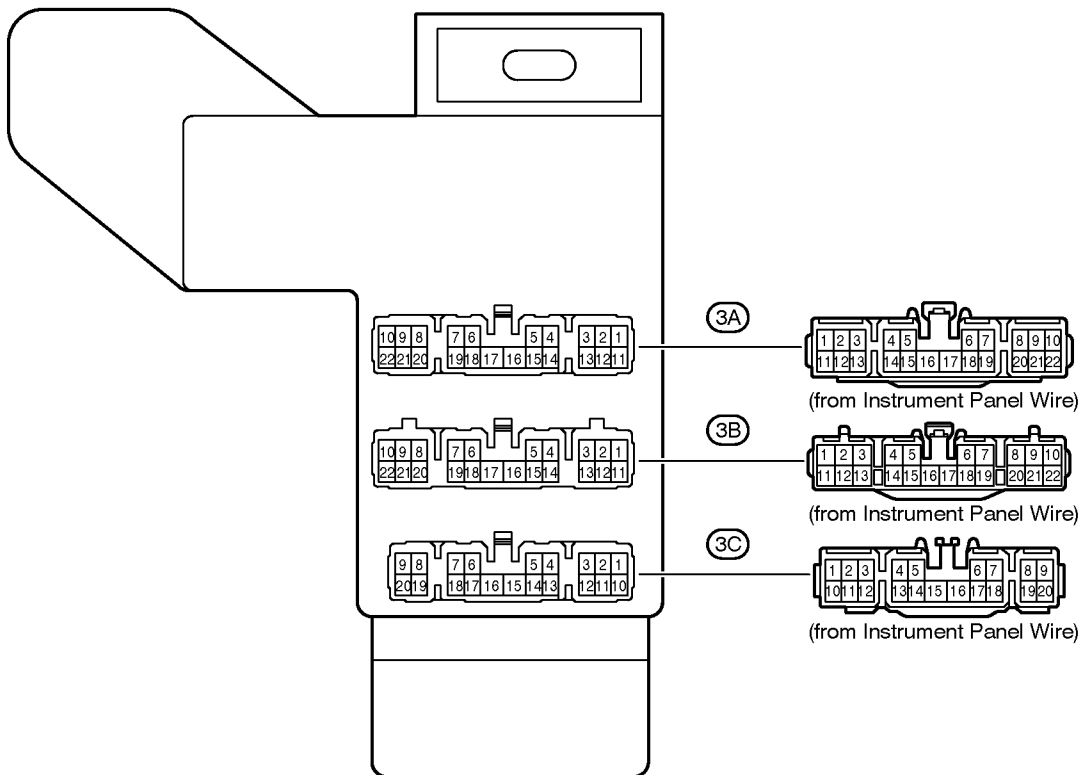
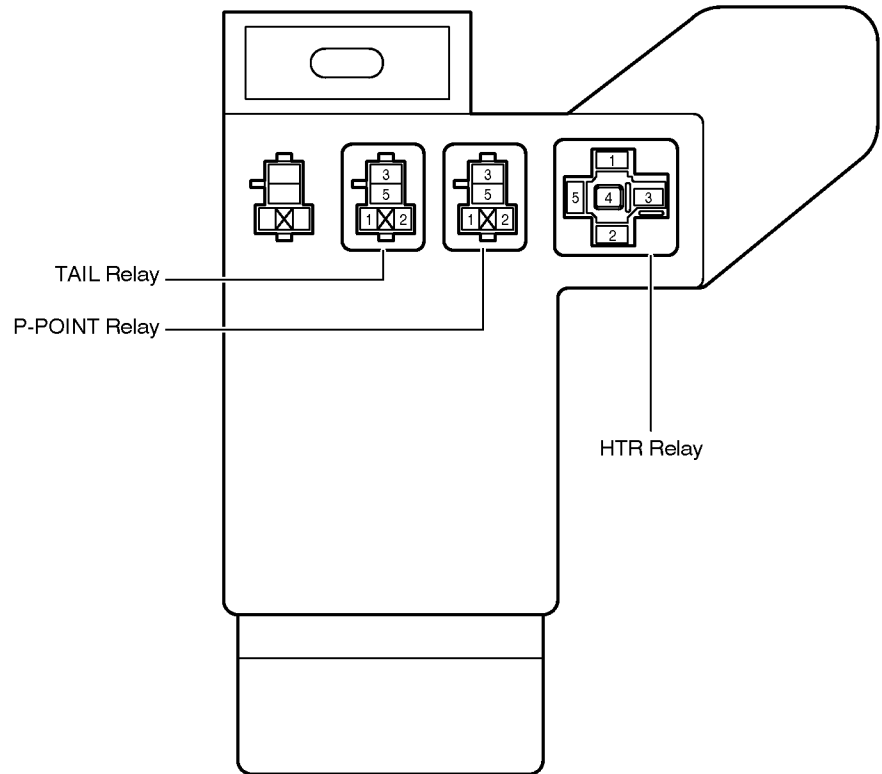
(Cont. Next Page)

(Cont'd)

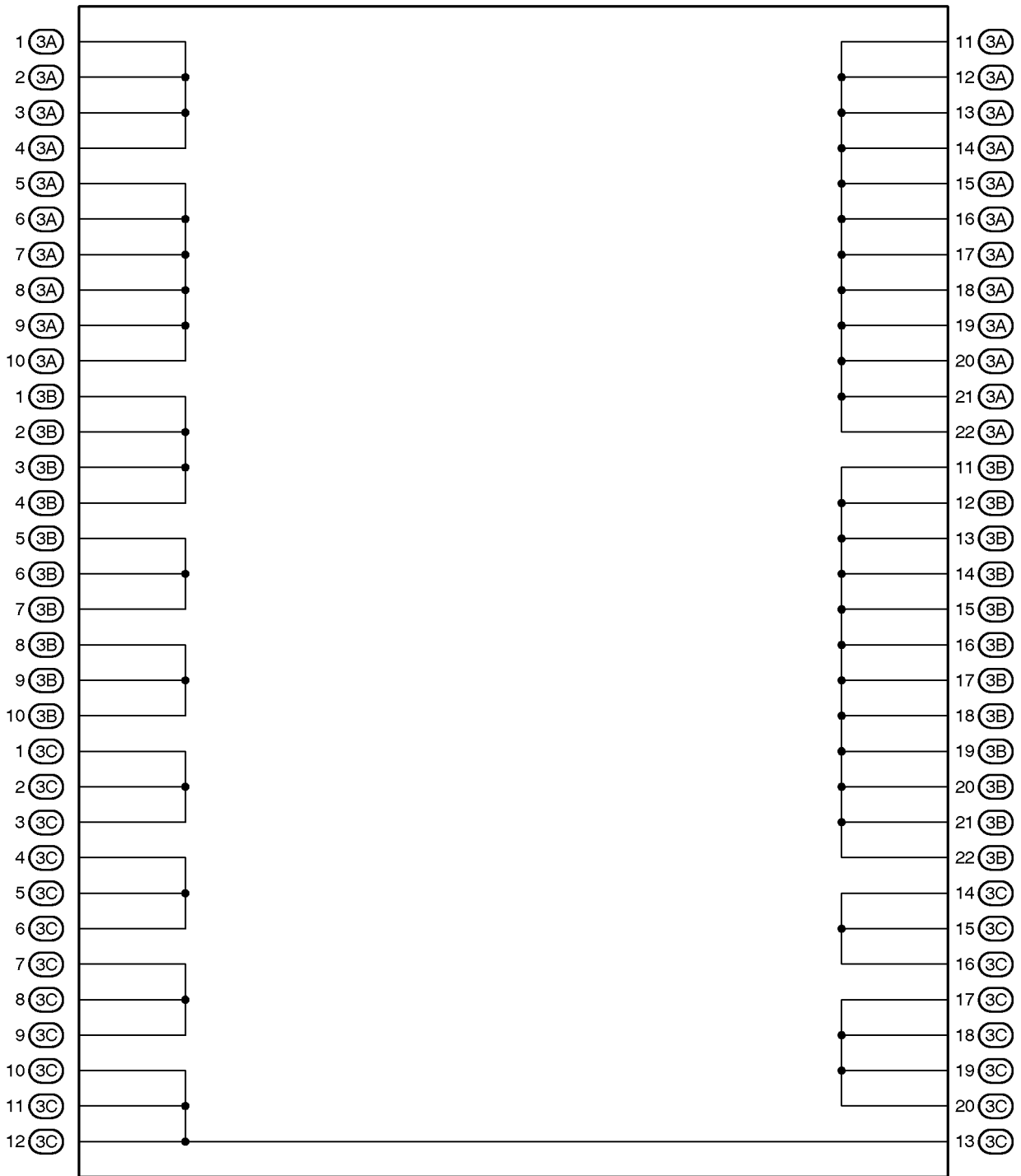


# F RELAY LOCATIONS

③ : RH R/B	<b>Right Side of the Instrument Panel Reinforcement (See Page 21)</b>
○ : RH J/B	

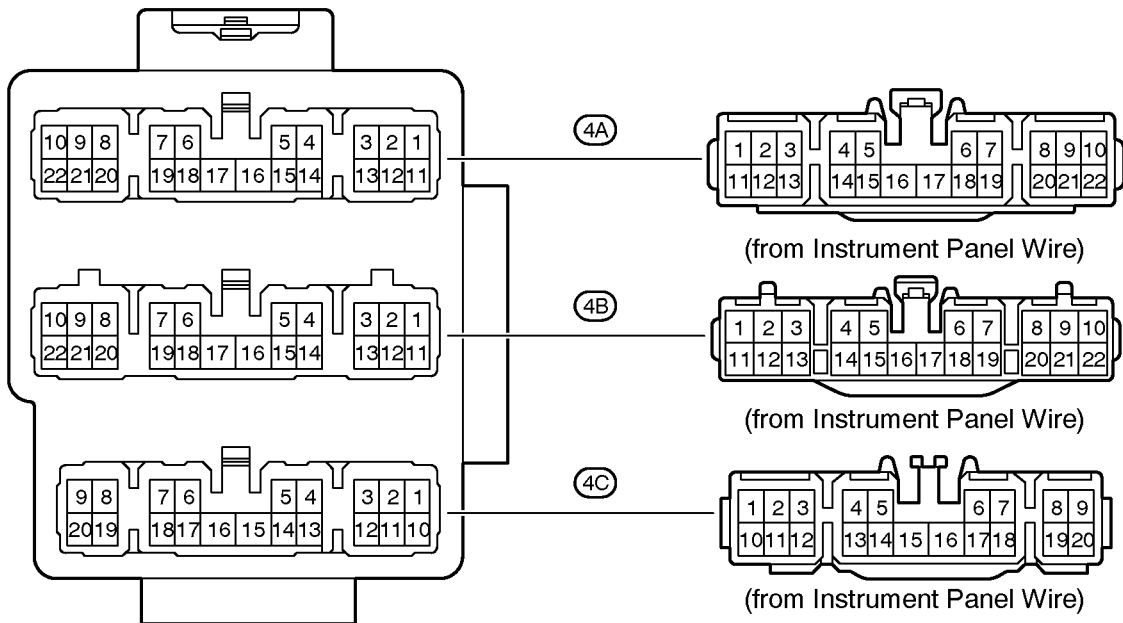


[RH J/B Inner Circuit]



# F RELAY LOCATIONS

 : Center J/B Behind the Combination Meter (See Page 21)



[Center J/B Inner Circuit]

