

# Citroën Saxo 1995 to 1998 wiring diagrams

## Key to circuits

***Diagram 1*** Information for wiring diagrams

***Diagram 2*** Starting, charging and engine cooling fan

***Diagram 3*** Diesel pre-heating and automatic transmission

***Diagram 4*** Typical single-point fuel injection system

***Diagram 5*** Typical multi-point fuel injection system

***Diagram 6*** Side, tail, stop, reversing and headlights

***Diagram 7*** Direction indicators, hazard warning lights and foglights

***Diagram 8*** Interior lighting, illumination, warning lights and gauges

***Diagram 9*** Warning lights and gauges continued, horn, cigar lighter and clock

***Diagram 10*** Heater blower, heated rear window, front and rear wash/wipe

***Diagram 11*** Electric windows, central locking and headlight levelling

***Diagram 12*** Electric mirrors, radio/cassette

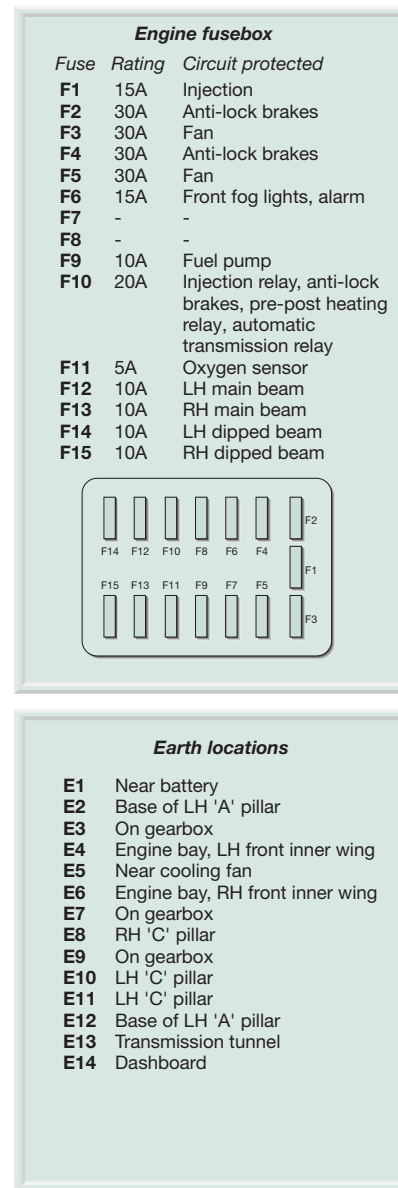
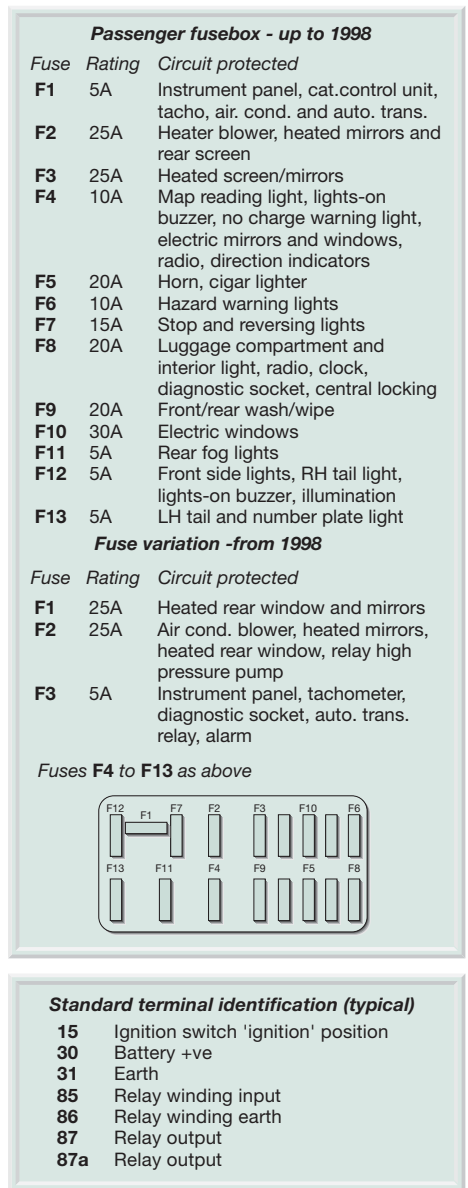
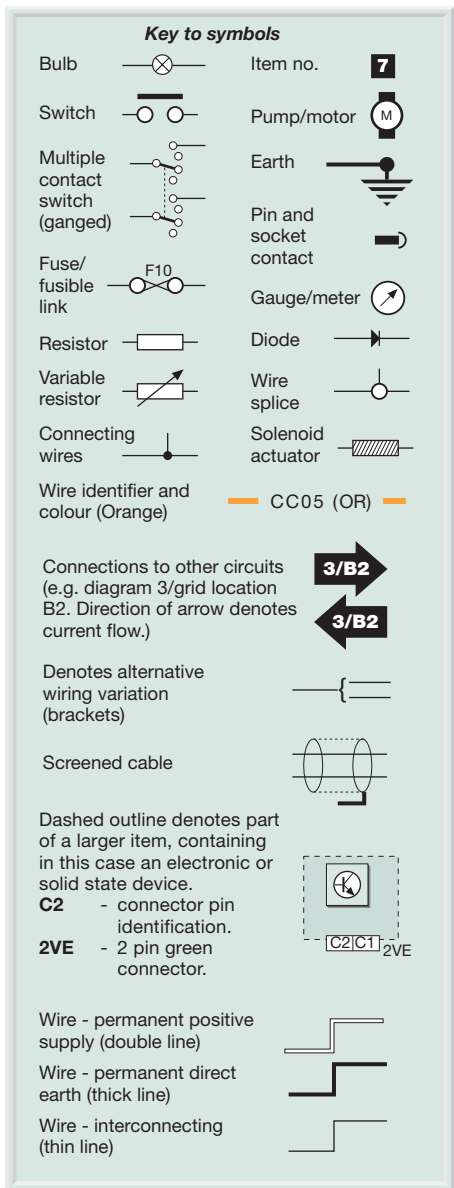
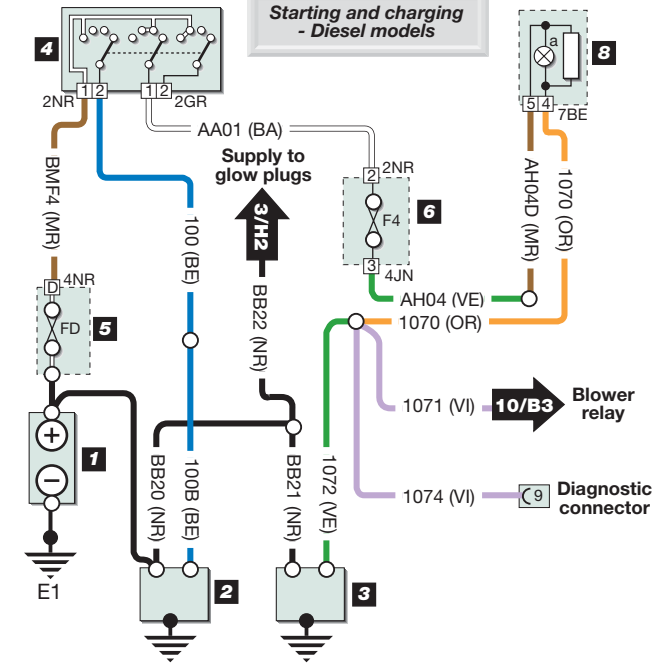
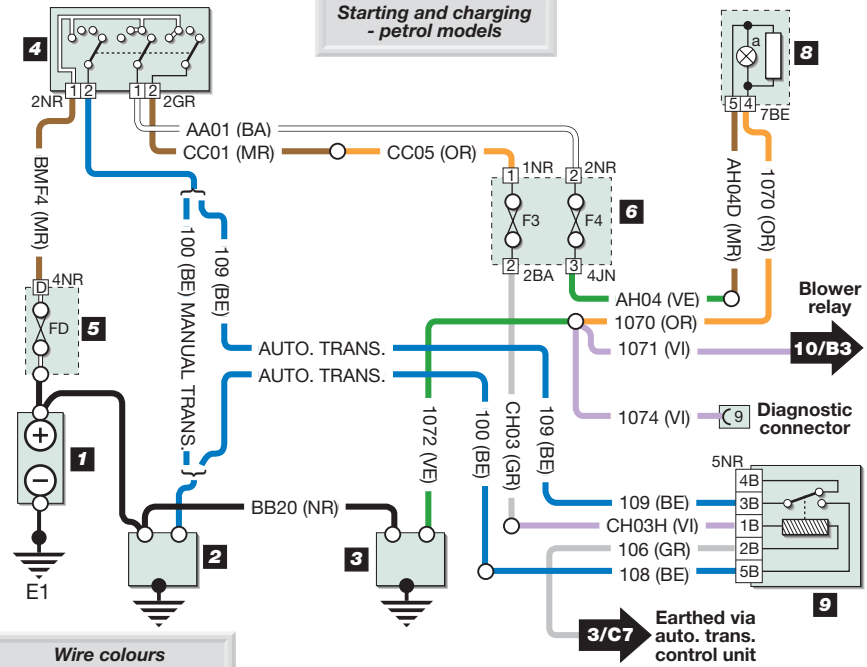
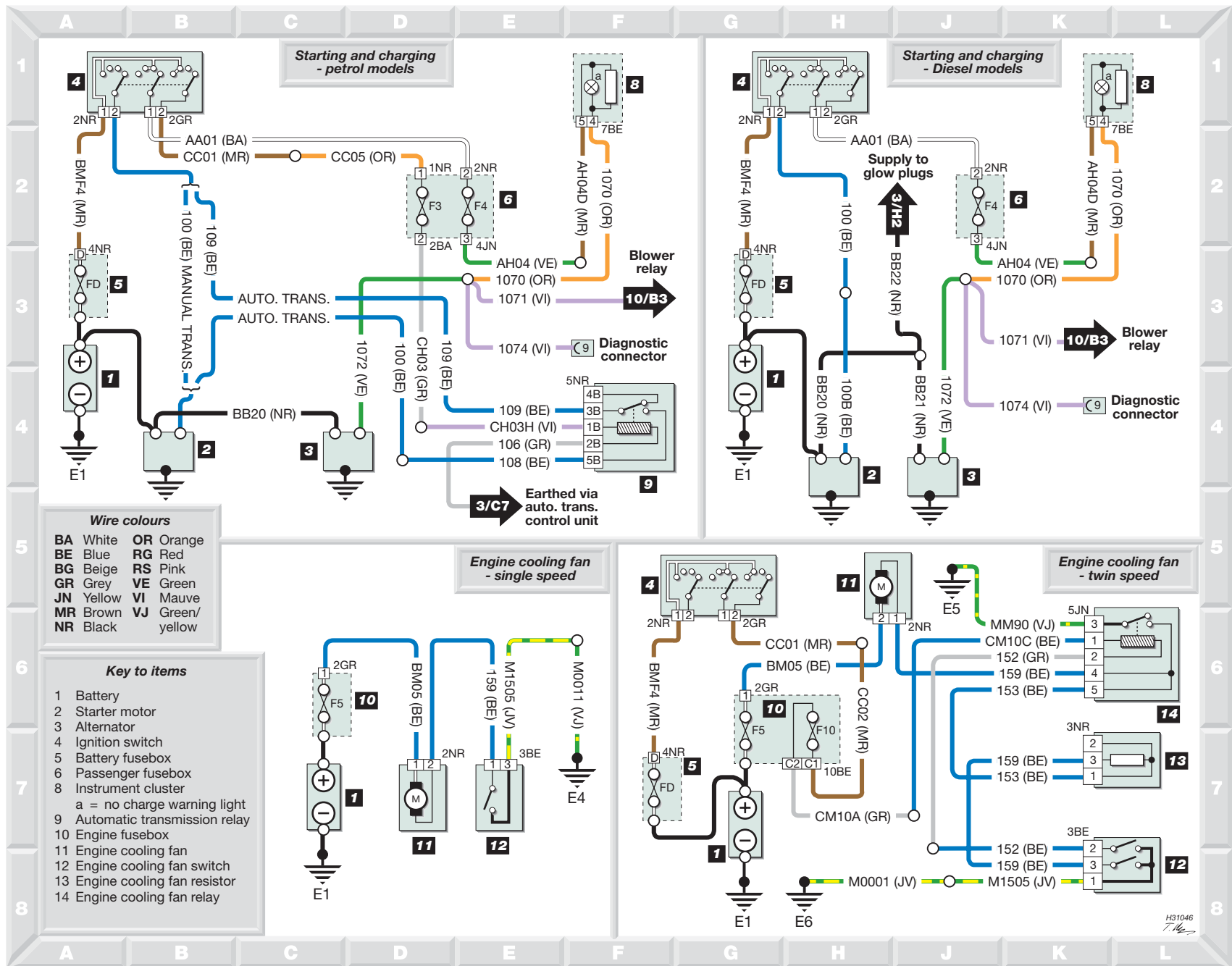


Diagram 1 : Information for wiring diagrams



#### Wire colours

BA	White	OR	Orange
BE	Blue	RG	Red
BG	Beige	RS	Pink
GR	Grey	VE	Green
JN	Yellow	VI	Mauve
MR	Brown	VJ	Green/yellow
NR	Black		

- #### Key to items
- Battery
  - Starter motor
  - Alternator
  - Ignition switch
  - Battery fusebox
  - Passenger fusebox
  - Instrument cluster
  - a = no charge warning light
  - Automatic transmission relay
  - Engine fusebox
  - Engine cooling fan
  - Engine cooling fan switch
  - Engine cooling fan resistor
  - Engine cooling fan relay

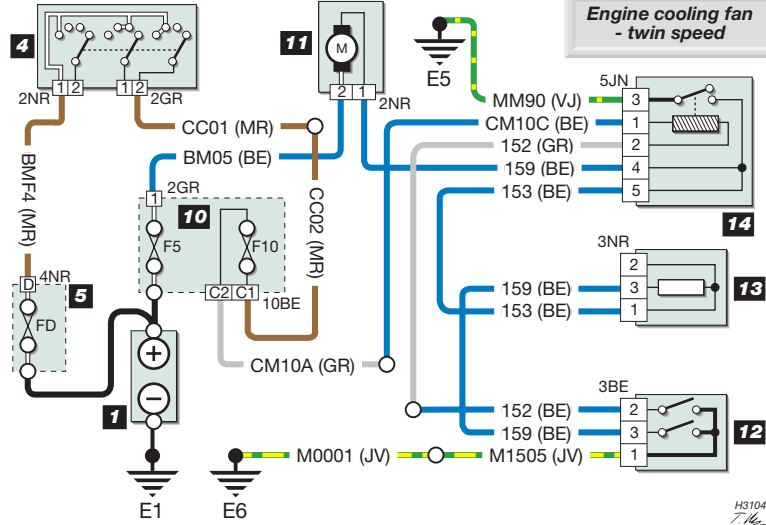
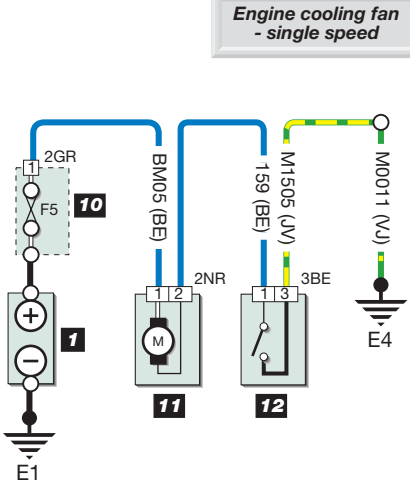


Diagram 2 : Starting, charging and engine cooling fan

H31046  
7/12

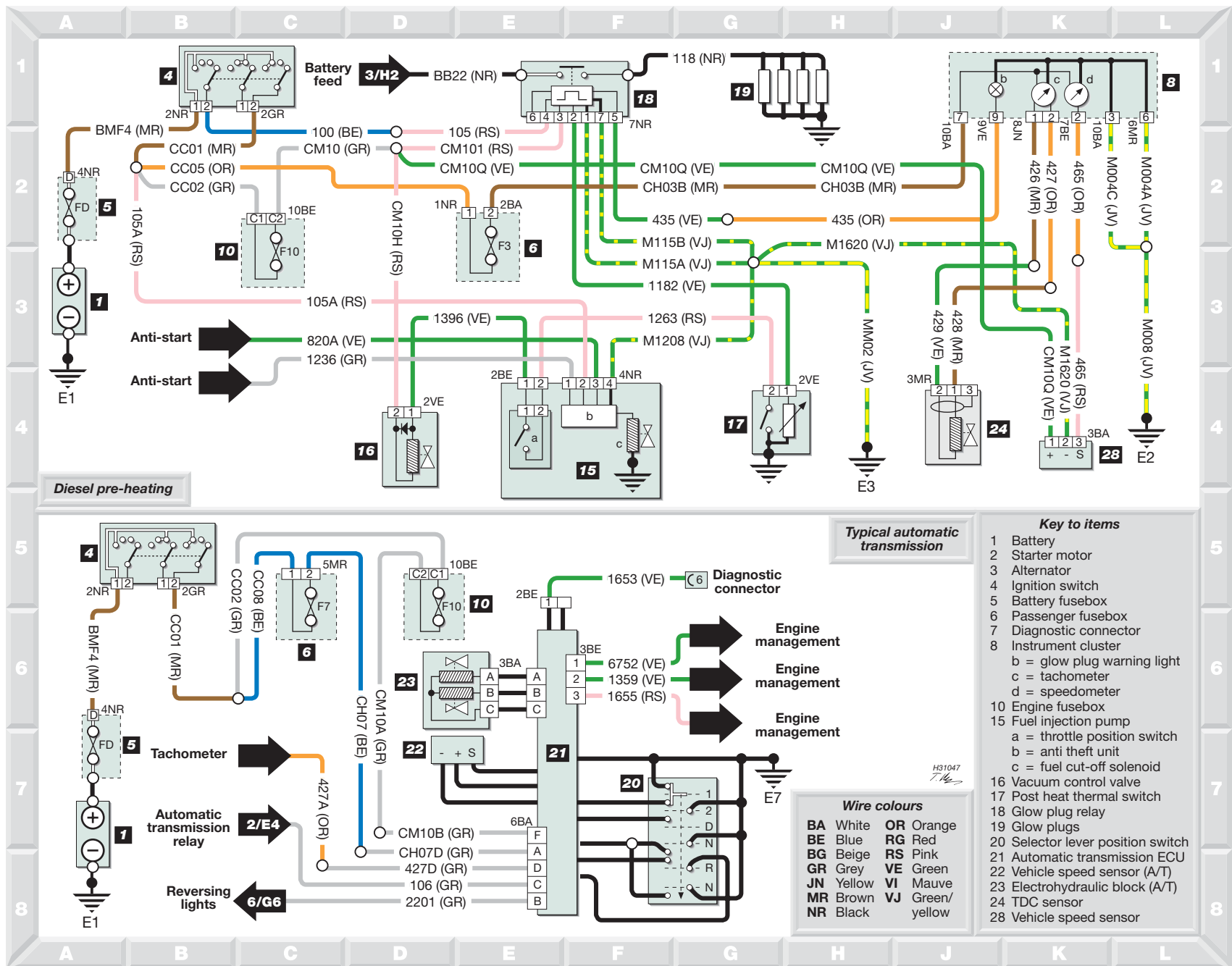
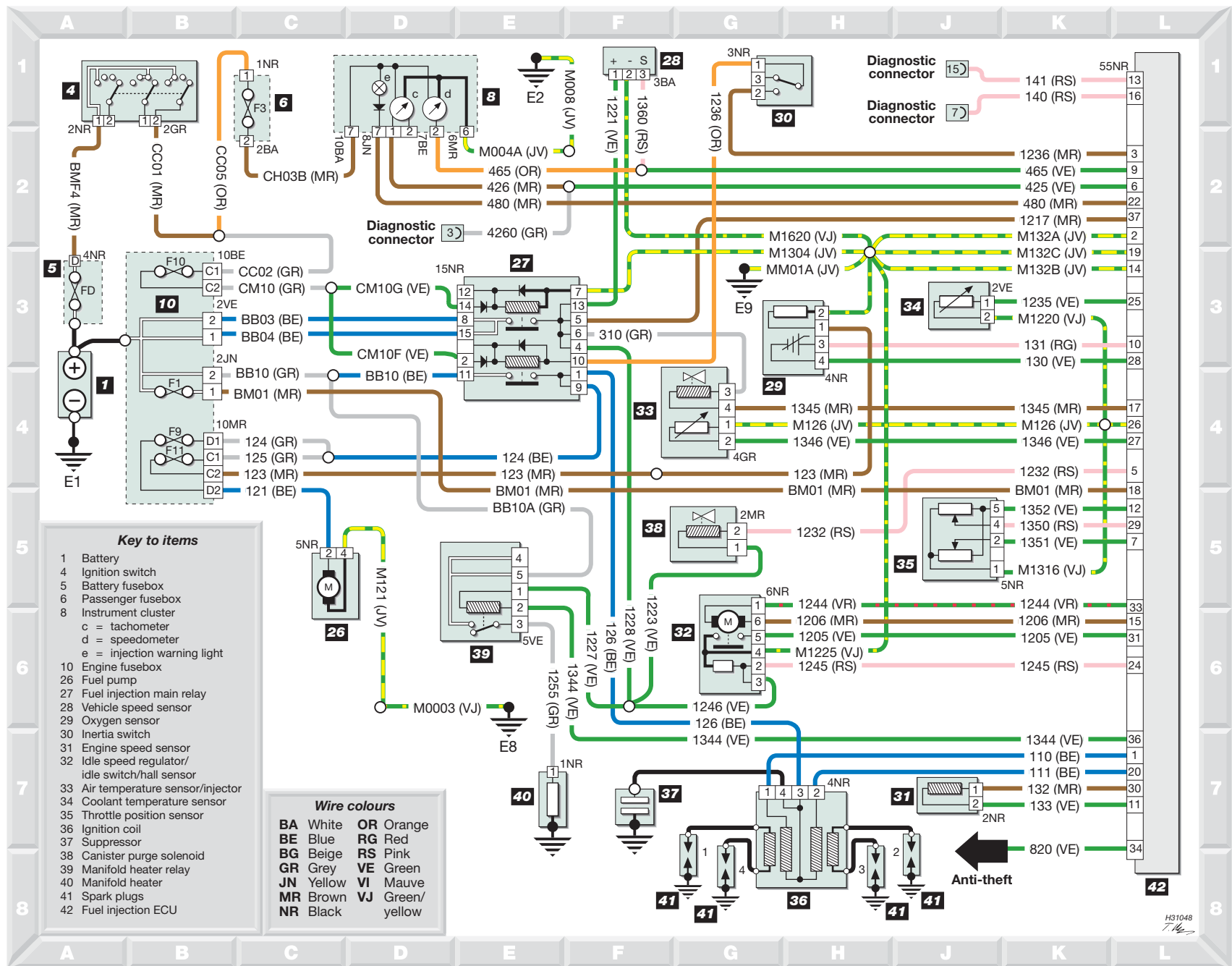


Diagram 3 : Diesel pre-heating and automatic transmission



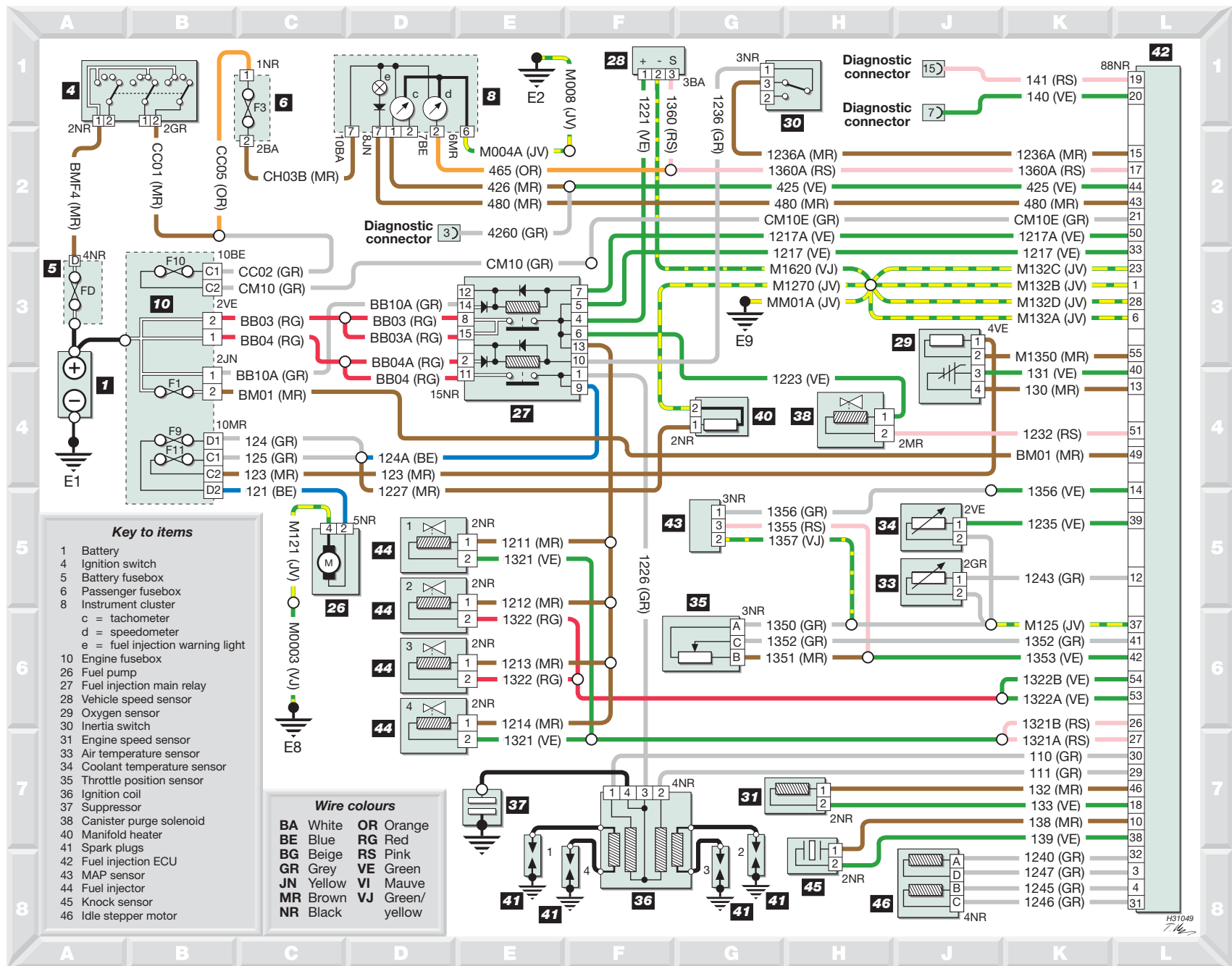


Diagram 5 : Typical multi-point fuel injection system

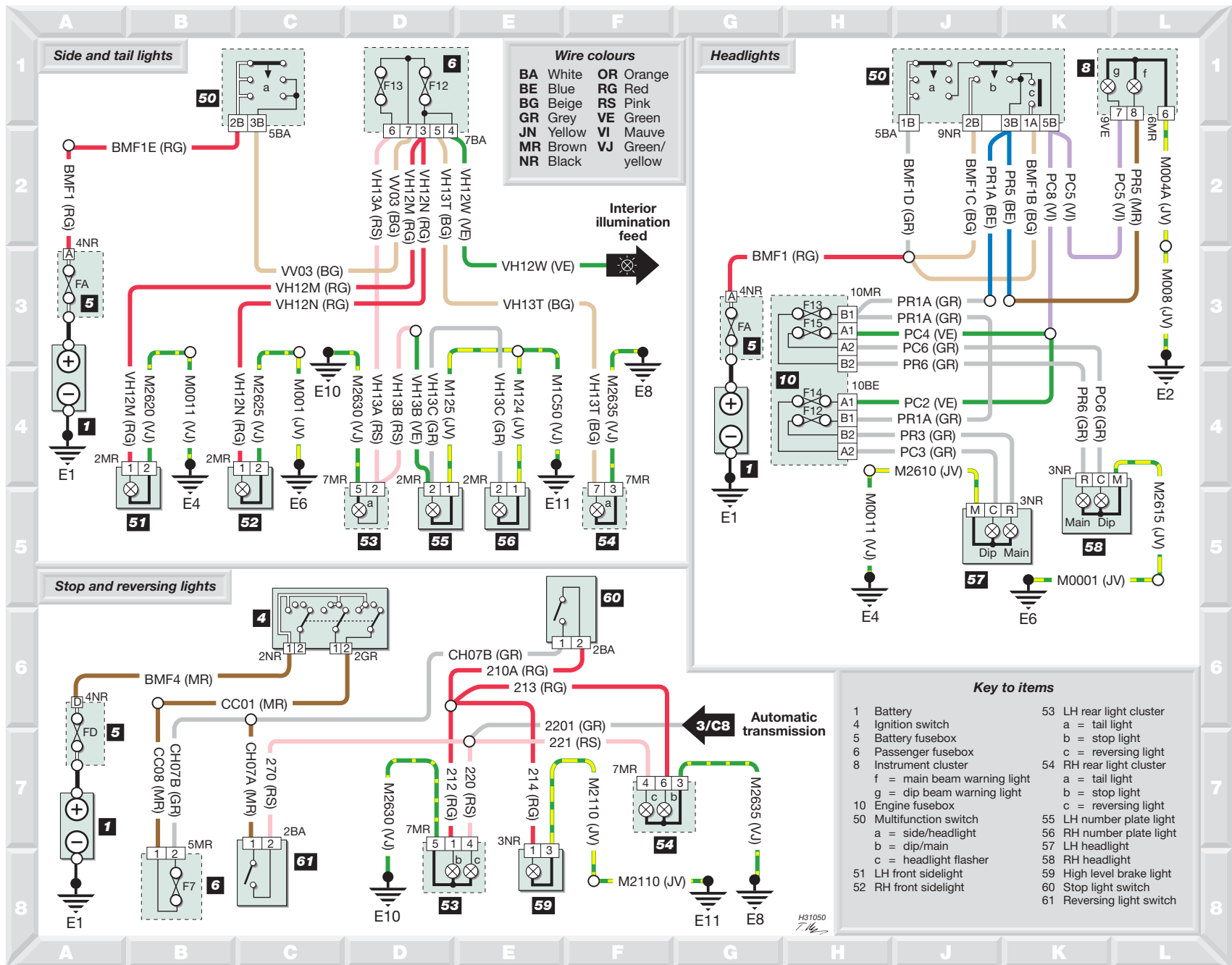


Diagram 6 : Side, tail, stop, reversing and headlights

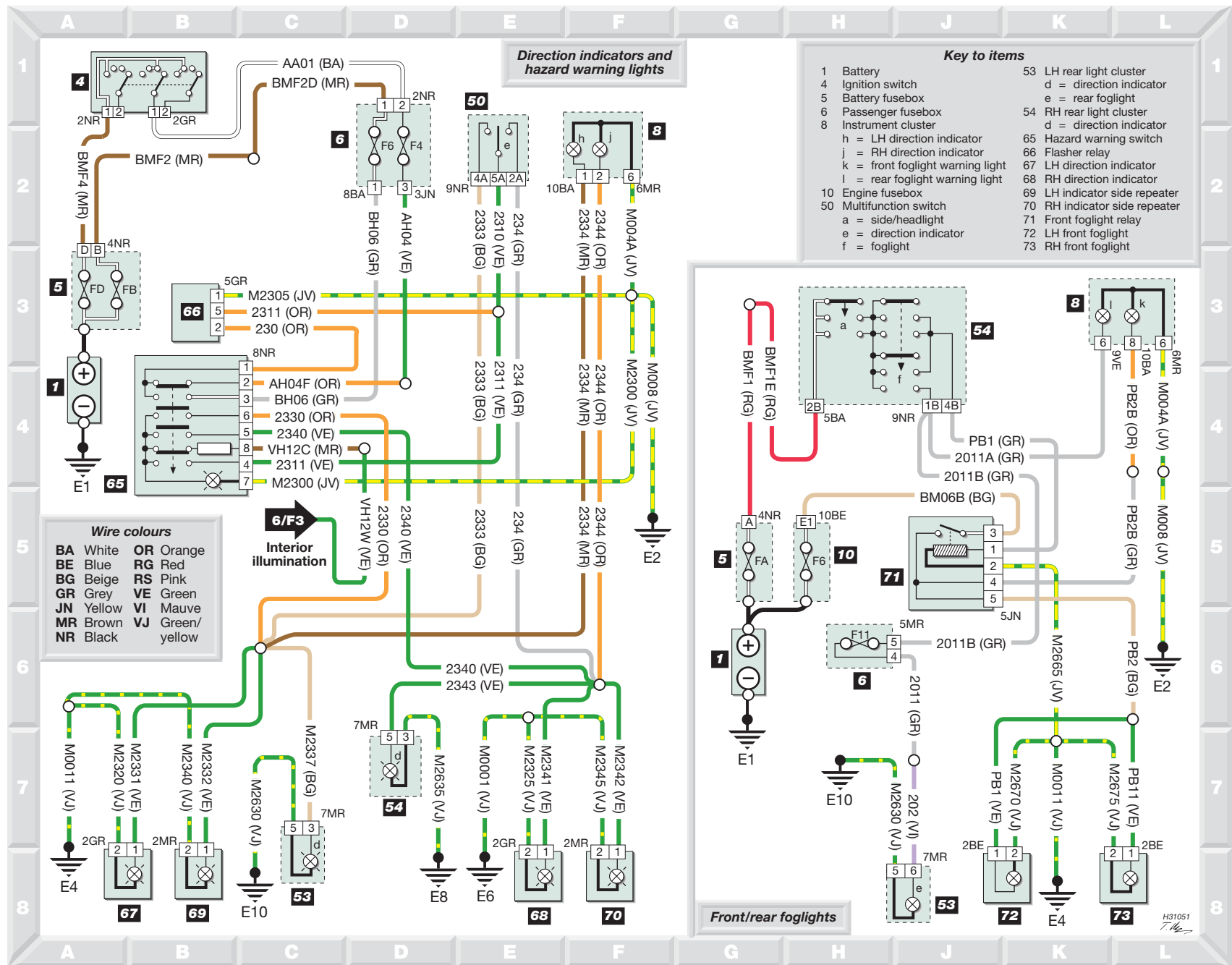


Diagram 7 : Direction indicators, hazard warning lights and foglights



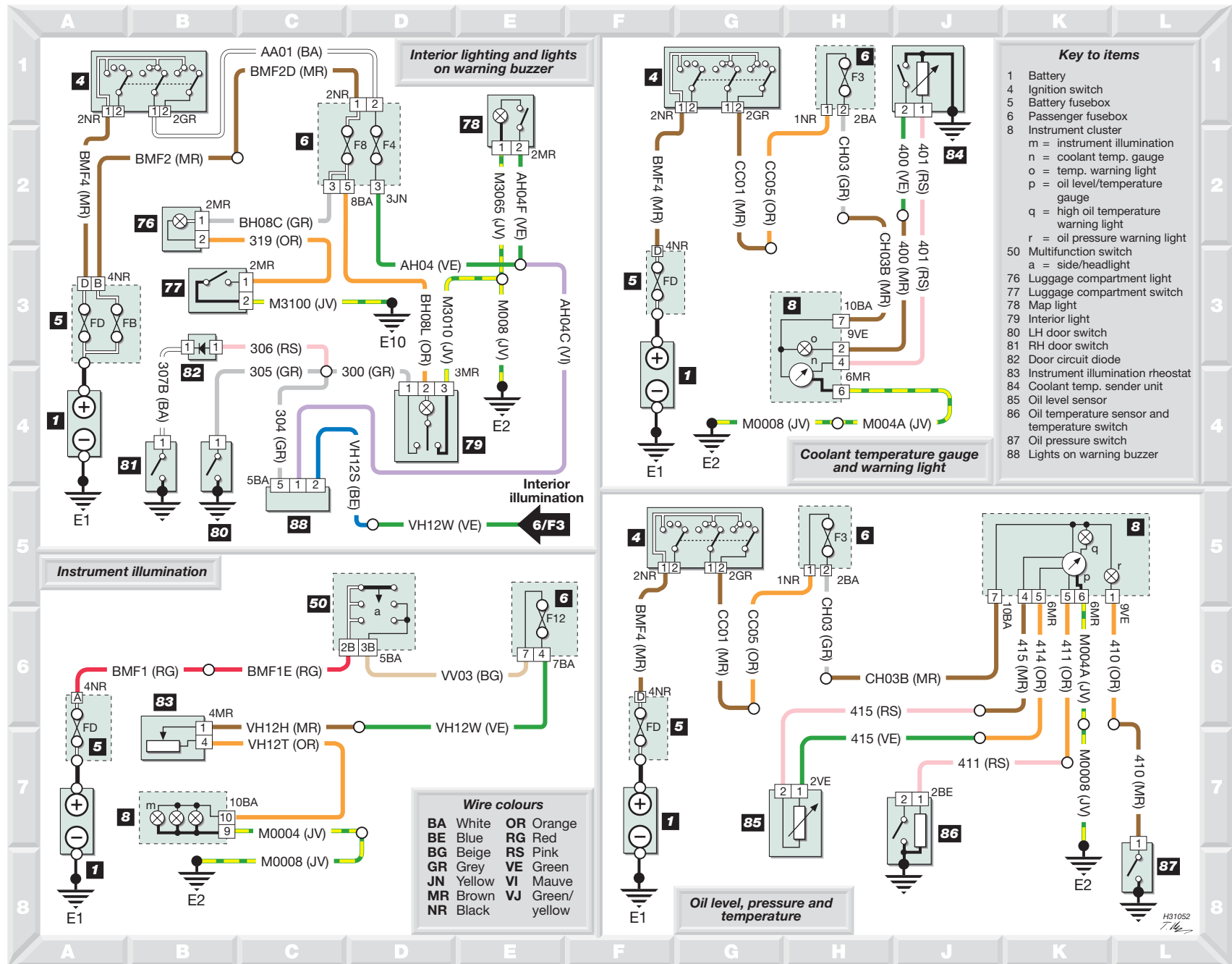


Diagram 8 : Interior lighting, illumination, warning lights and gauges

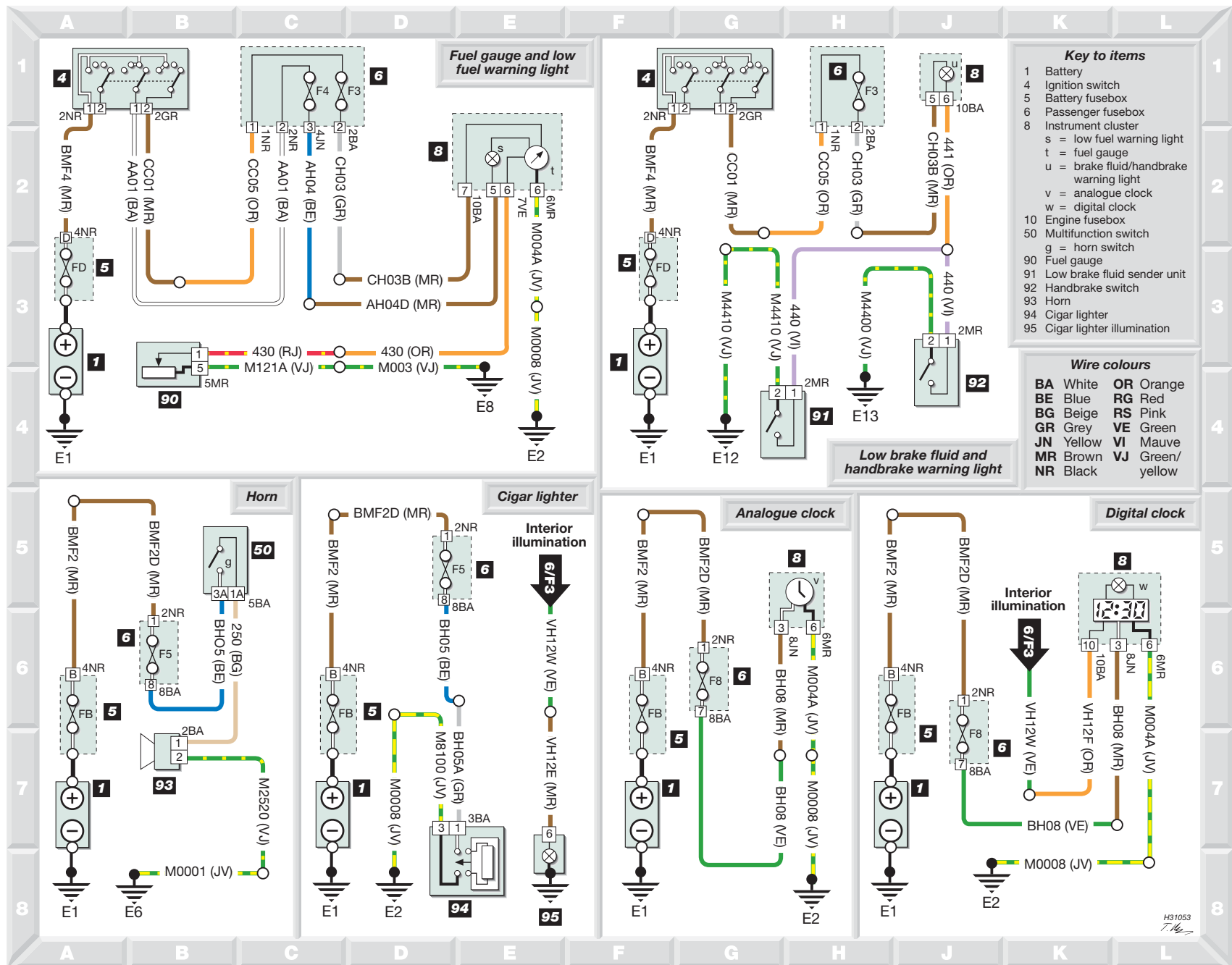


Diagram 9 : Warning lights and gauges continued, horn, cigar lighter and clock

H31053  
T.M.

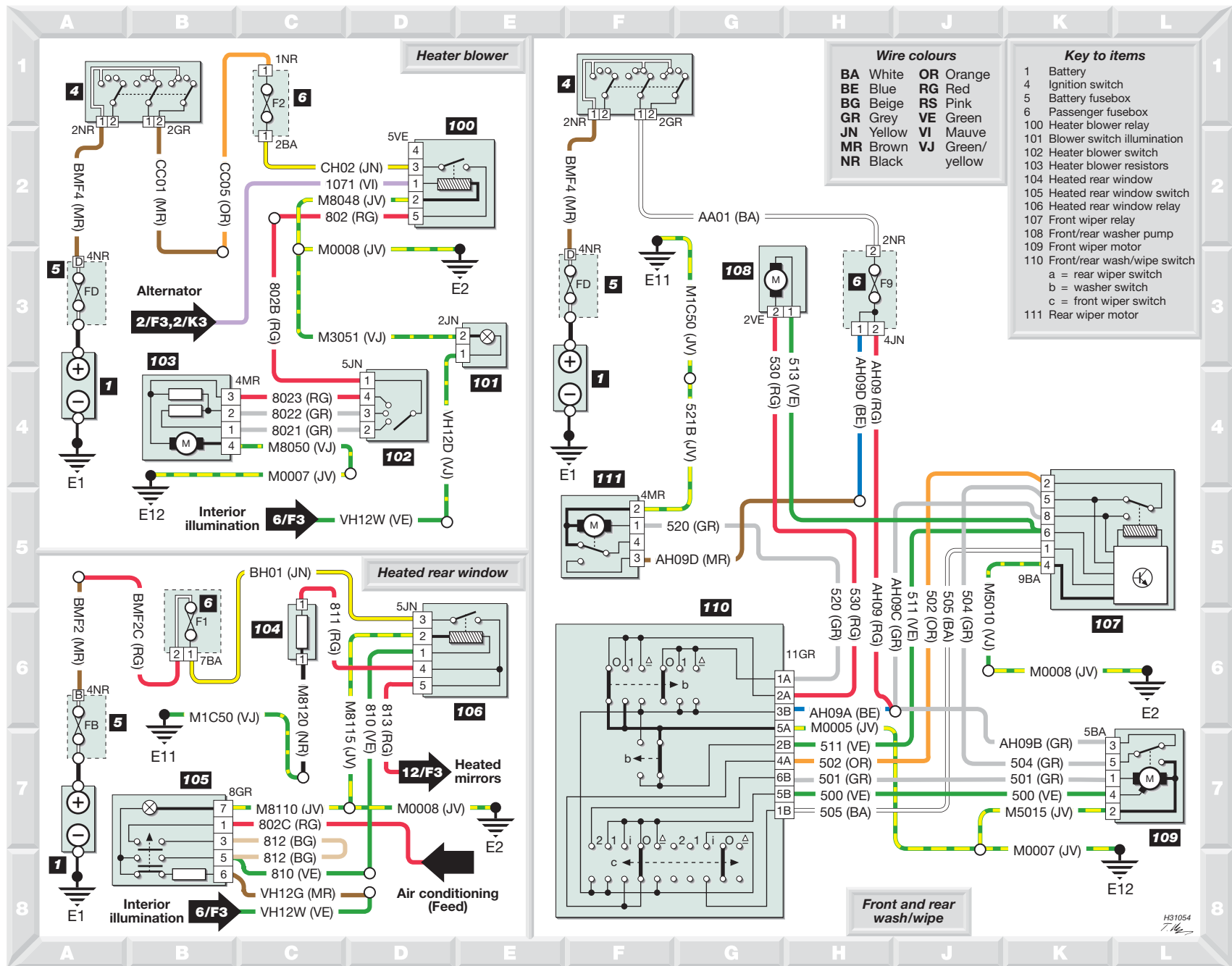


Diagram 10 : Heater blower, heated rear window, front and rear wash/wipe

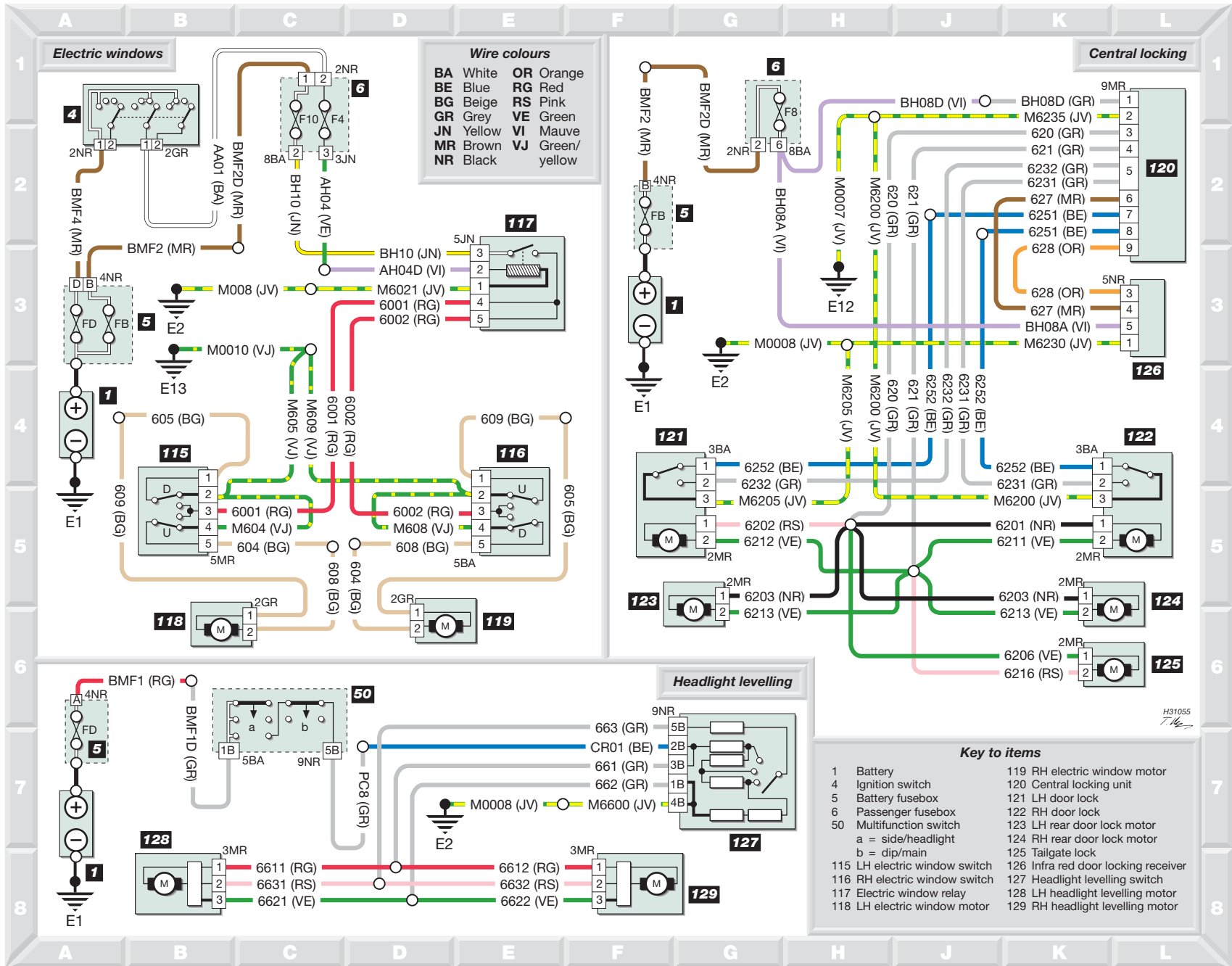


Diagram 11 : Electric windows, central locking and headlight levelling

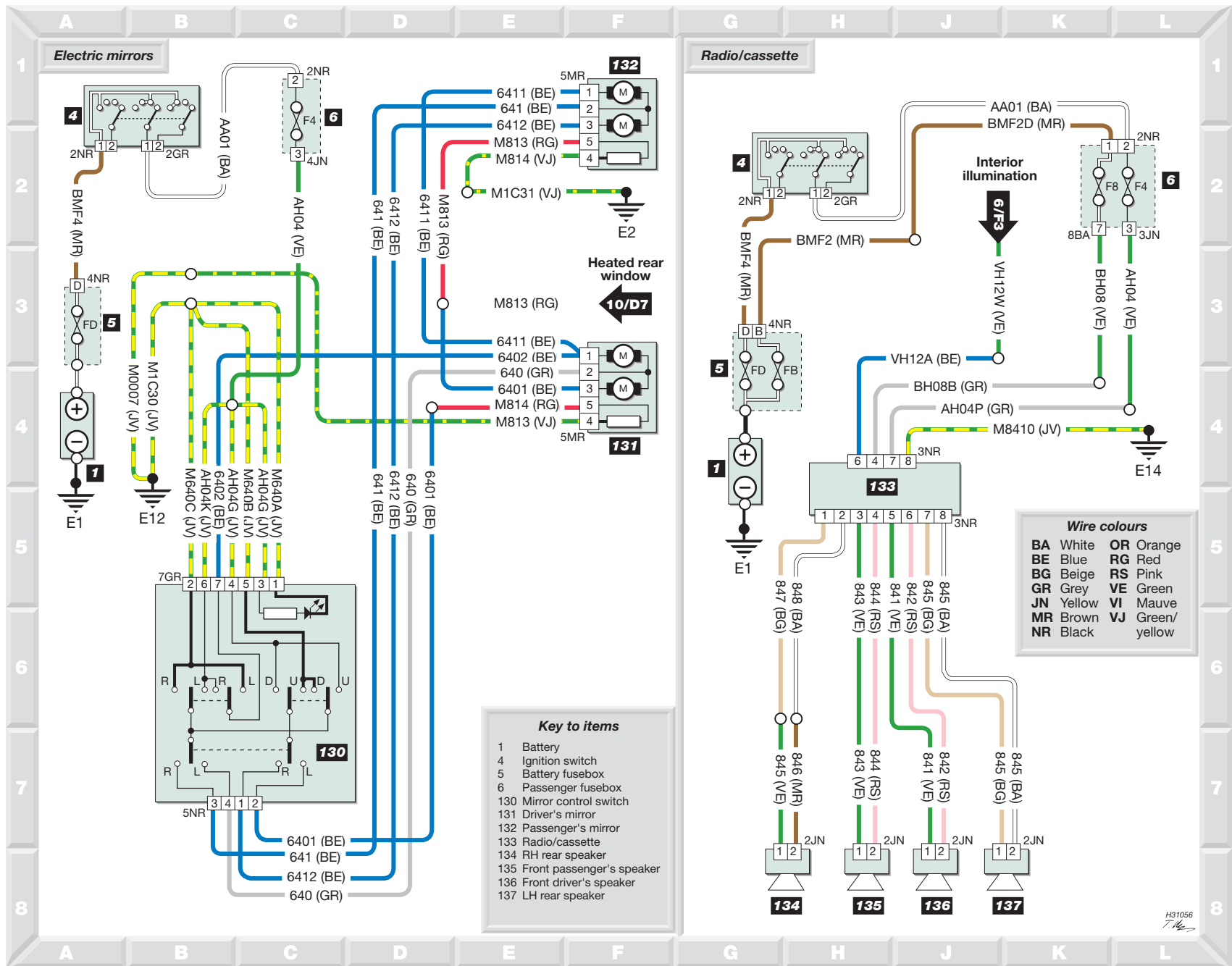


Diagram 12 : Electric mirrors, radio/cassette