

Diagram 1. Starting, charging and ignition (except fuel injection).  
Models up to 1987

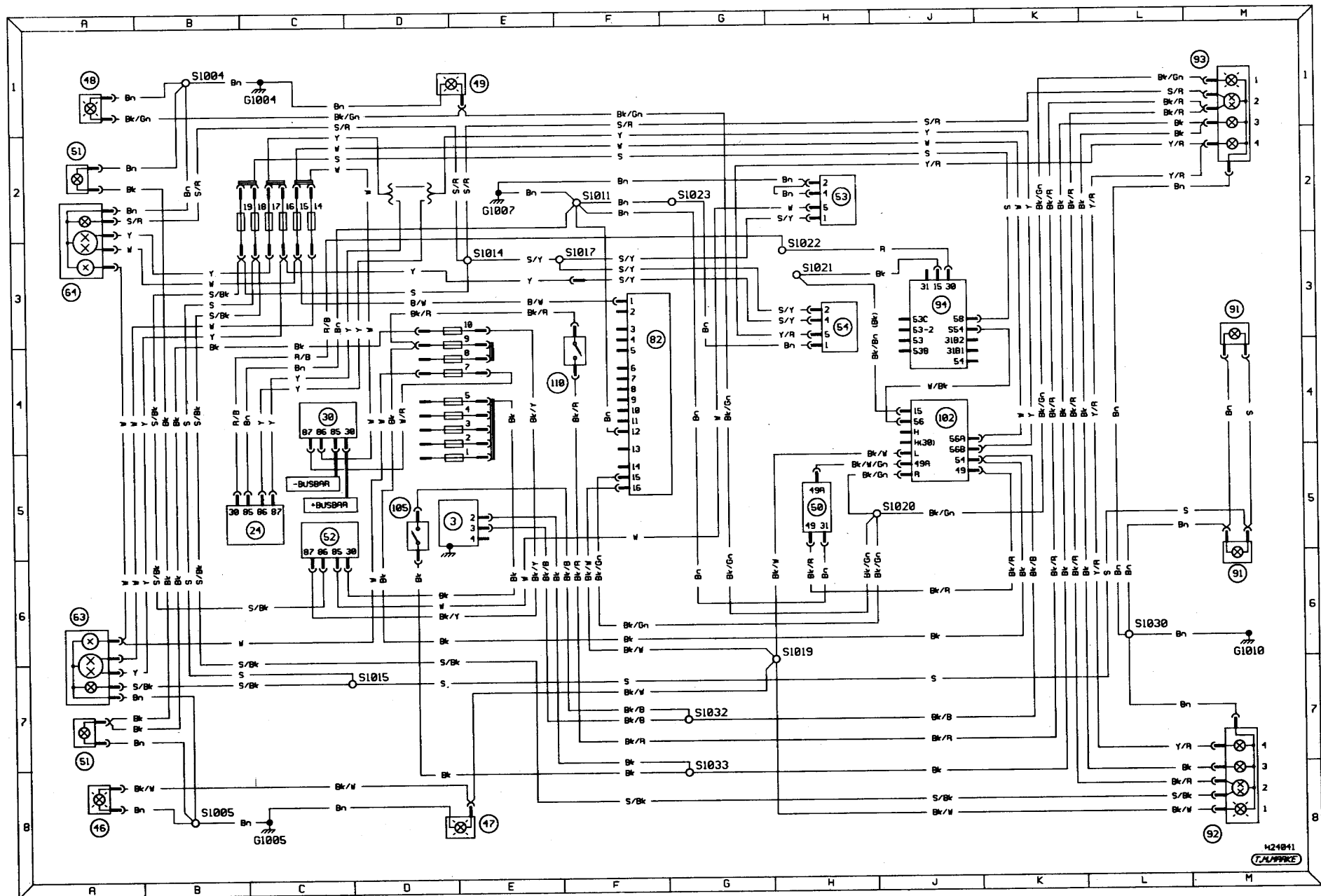


Diagram 2. Exterior lighting. Models up to 1987

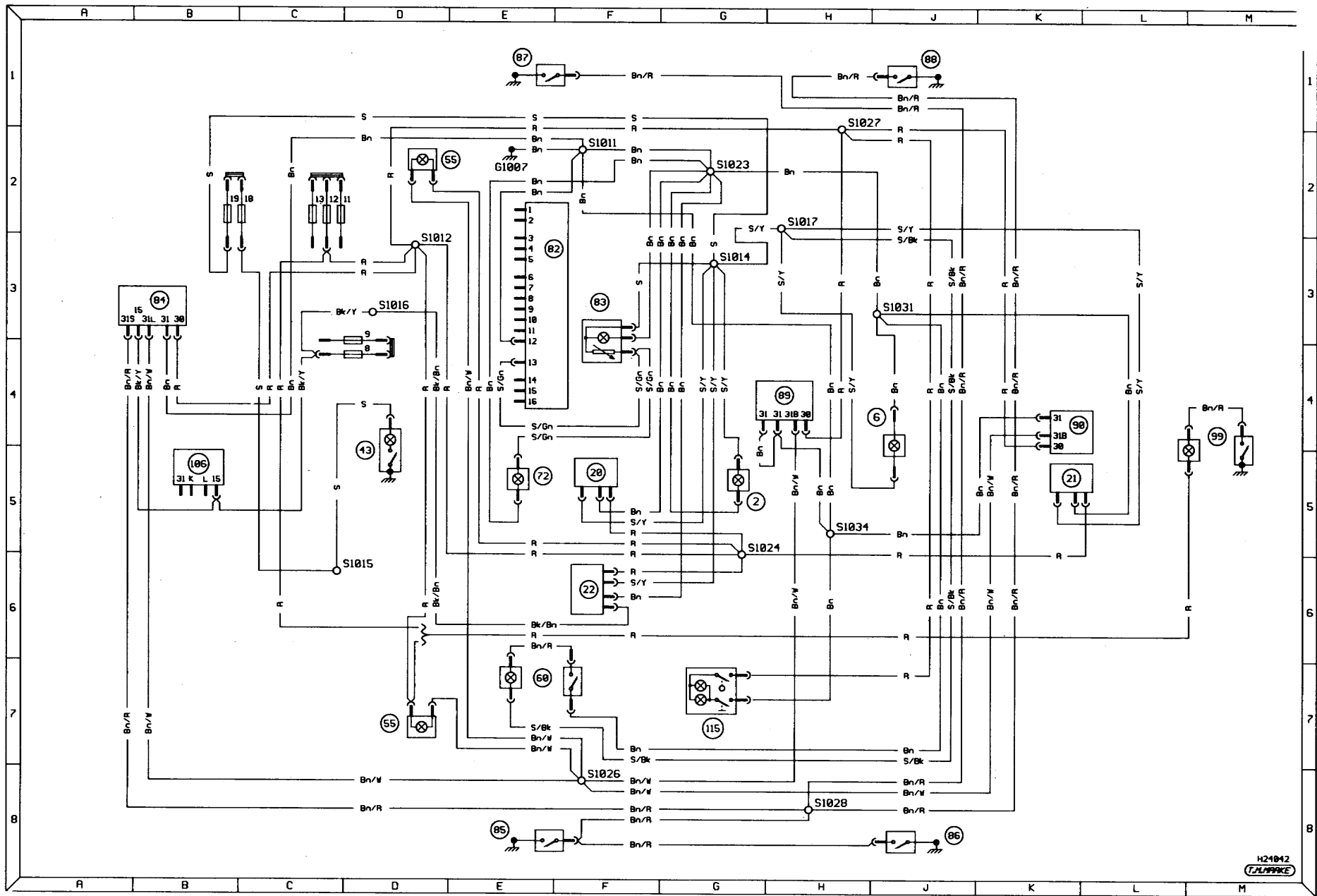


Diagram 2a. Interior lighting. Models up to 1987

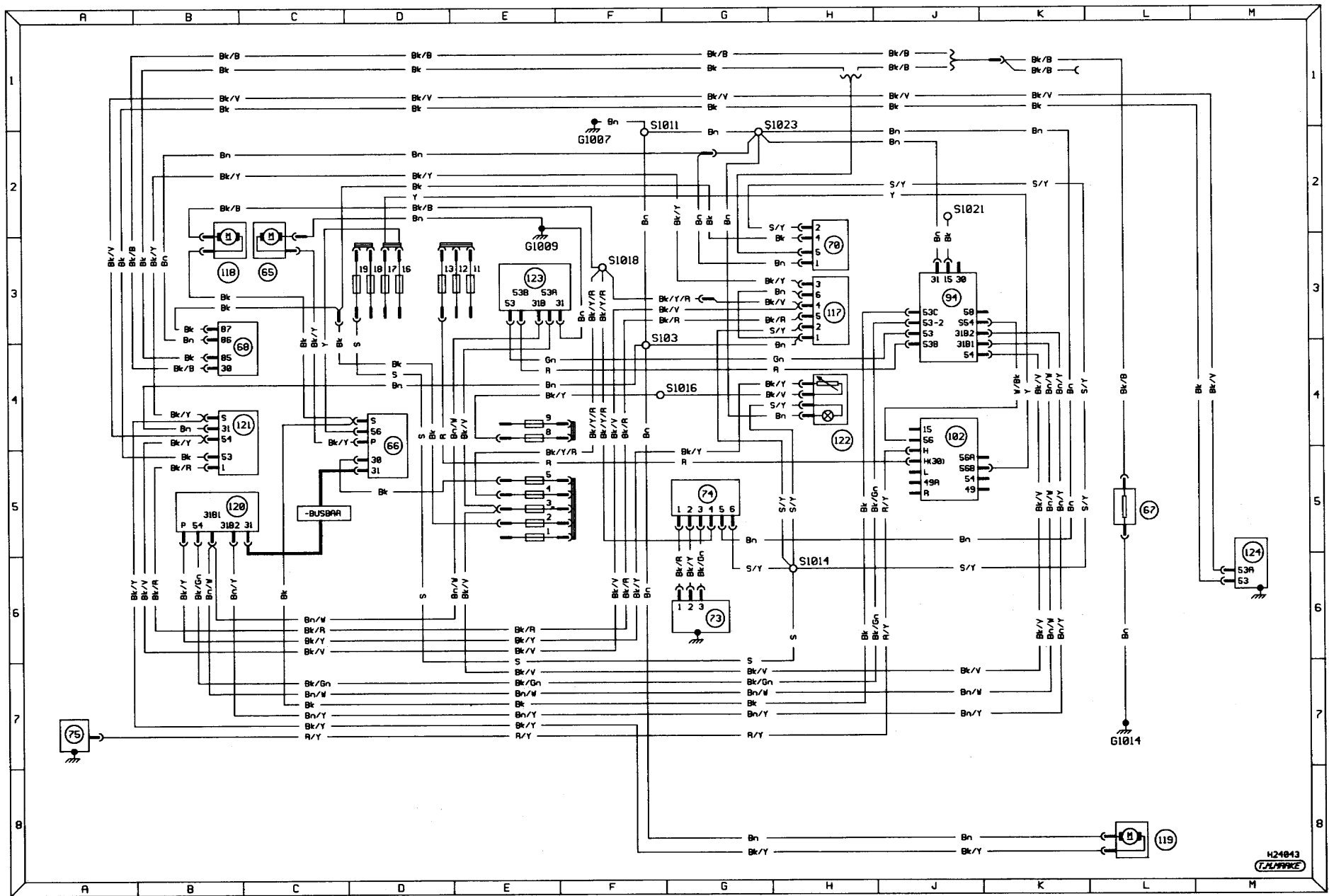


Diagram 3. Ancillary circuits (low series). Models up to 1987

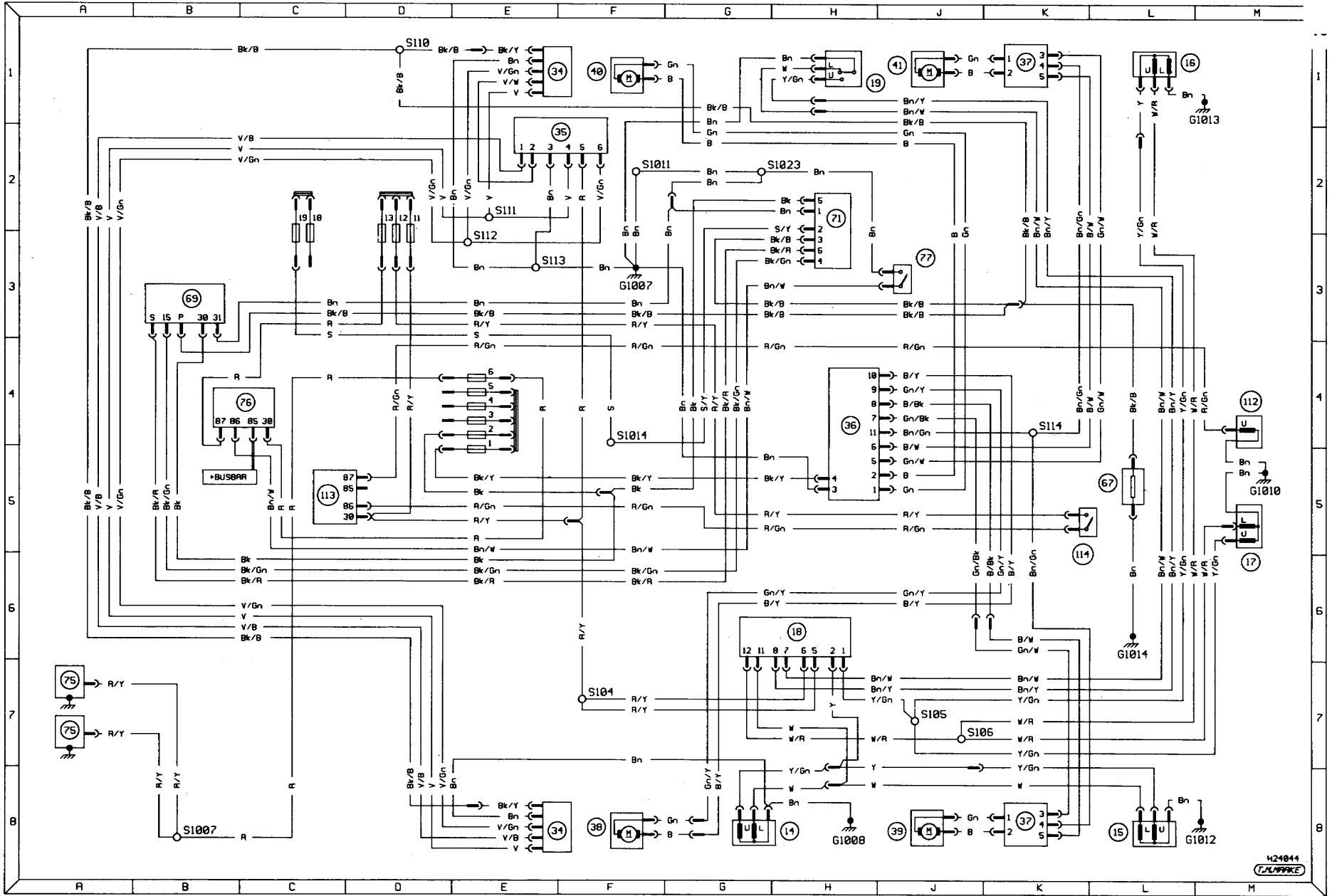


Diagram 3a. Additional ancillary circuits (high series only). Models up to 1987

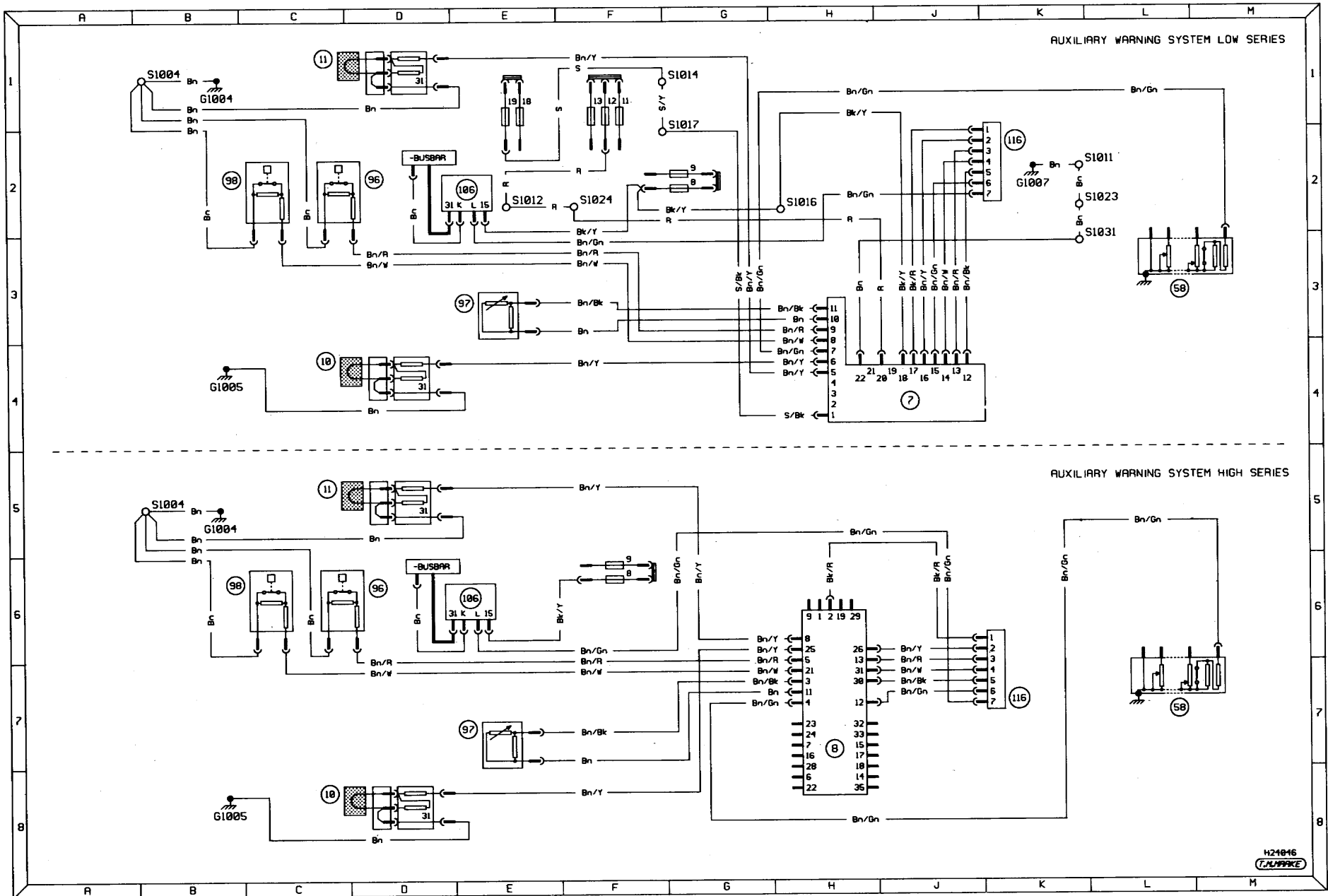


Diagram 4. Auxiliary warning system. Models up to 1987

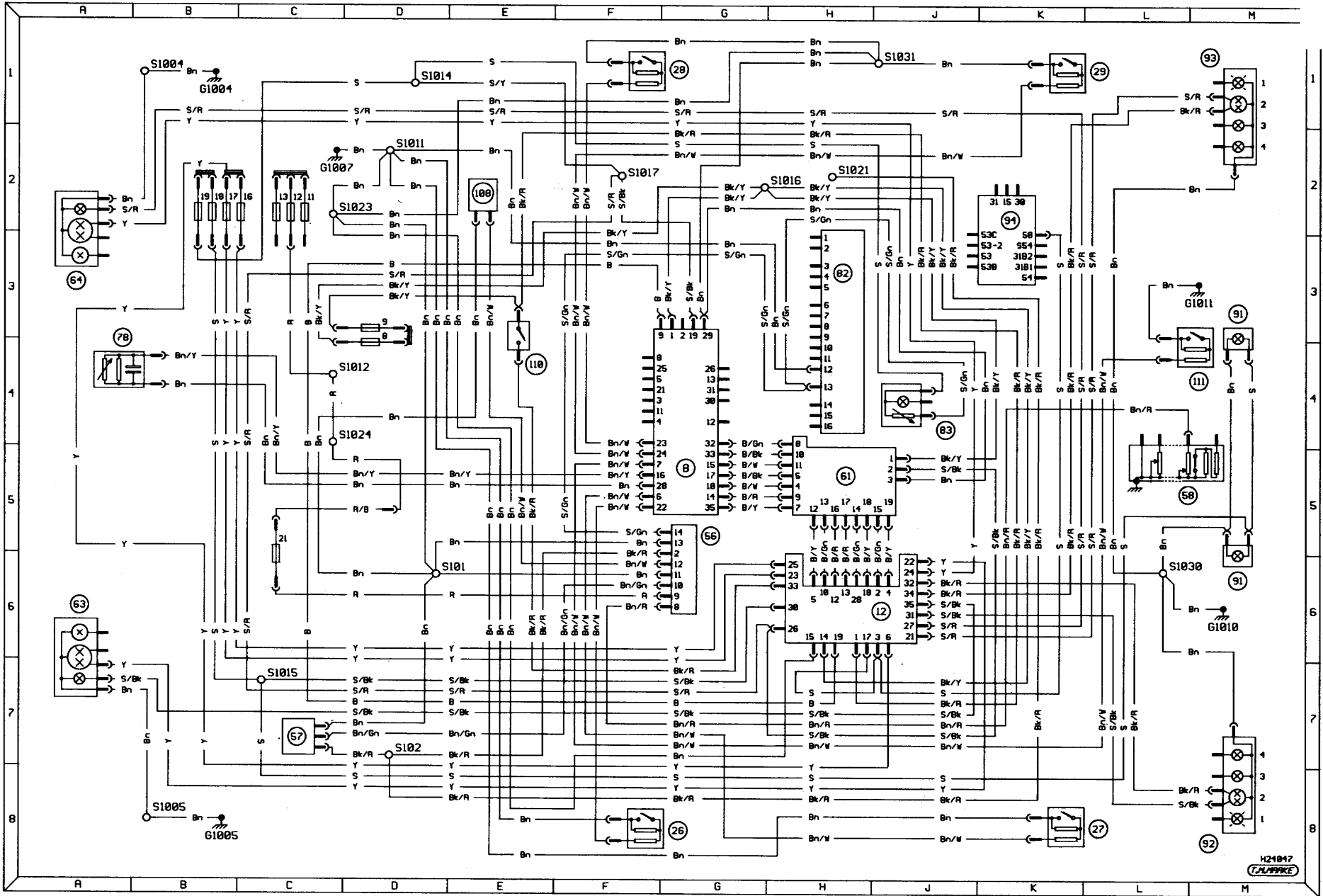


Diagram 4a. Graphic display system and fuel computer. Models up to 1987

H21047  
T.F. PARKE

NOTES:

1. All diagrams are divided into numbered circuits depending upon their function e.g Diagram 2 : Exterior lighting all models.
2. Some components may appear on more than one diagram so their positions are given in coded form in the key below e.g. 2/R1 denotes a component on diagram 2 grid location R1.
3. FEED WIRES ARE COLOURED RED (BLACK WHEN SWITCHED) AND ORIGINATE FROM DIAGRAM 1. ALL OTHER DIAGRAMS FEED FROM FUSE CONNECTIONS OR COMMON FEEDS (SEE BELOW).
4. Earth wires on all diagrams are coloured brown.
5. The tables below show where common feeds and common earths interconnect between diagrams.
6. Not all items are fitted to all models.
7. Brackets show how the circuit may be connected in more than one way.

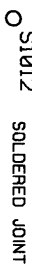
FUSE	RATING	CIRCUIT	COMMON EARTH POINT	DIAGRAM/ GRID REF.
1	20A	LH Main Beam, LH Driving Lamp	G1004	1/F/8,
2	20A	RH Main Beam, RH Driving Lamp		10/L/8,
3	10A	LH Dip Beam		3/D/7,
4	10A	RH Dip Beam		36/F/8,
5	10A	LH Side Lamp	G1005	4/F/8
6	10A	RH Side Lamp		1/F/8,
7	15A	Instrument Illum, Licence Plate Lamp		10/R/3,
8	15A	Radio (From 1989 Only)		10/D/8,
9	30A	Headlamp Wash		2/F/8,
10	20A	Interior Lamps, Clock, Door Locking, Mirrors		2/F/8,
11		Free		26/E1,
12	10A	Hazard Warning Lamps		3/F/2,
13	30A	Cigar Lighter		36/E1,
14	30A	Horn		30/E1
15	30A	Wiper Motors, Washer Pump	G1006	10/M/7,
16	30A	Heated Rear Window, Heated Mirrors		3/F/8,
17	20A	Front Fog Lamps, Dim/Dip		30/F/8,
18	30A	Heater Blower		36/E7
19		Free	G1007	10/F/6,
20	15A	Floshers, Reversing Lamps		4/F/4
21	15A	Stop Lamps	G1009	2/L/7,
22	10A	Control Circuits		20/L7,
23	30A	Fuel Pump	G1010	36/L7
24	20A	Power Windows		26/M3,
30	20A	Anti-Lock Brake		3/M3,
31	30A	Anti-Lock Brake Pump	G1011	3d/M3
36	1A	Fuel Computer		1/J1,

COMMON FEED	DESCRIPTION	DIAGRAM/ GRID REF.	WIRE COLOURS
S1002	COMMON BATTERY FEED	1/F/4, 2/H/6, 3c/F/6	B Blue Bk Black Bn Brown
S1004	COMMON BATTERY FEED	1/J/2, 10/K/6, 2/J/3, 20/J/3, 30/J/3, 3c/K/6, 3d/H/2, 4/J/2	Gn Green R Red Rs Pink S Grey V Violet W White Y Yellow

S1012	COMMON IGNITION FEED	DIAGRAM/ GRID REF.	WIRE COLOURS
S1012	COMMON IGNITION FEED	1/H/2, 10/C3, 10/C4, 10/F/4, 10/J/2, 2/F/4, 3b/H/2, 4/E3	G1016

S1042	COMMON CRANKING FEED	DIAGRAM/ GRID REF.	WIRE COLOURS
S1042	COMMON CRANKING FEED	1/J1, 10/C1, 3b/H3	G1012

KEY TO SYMBOLS



Notes, tables, wire colours and key to symbols on wiring diagrams. Models from 1987 to May 1989



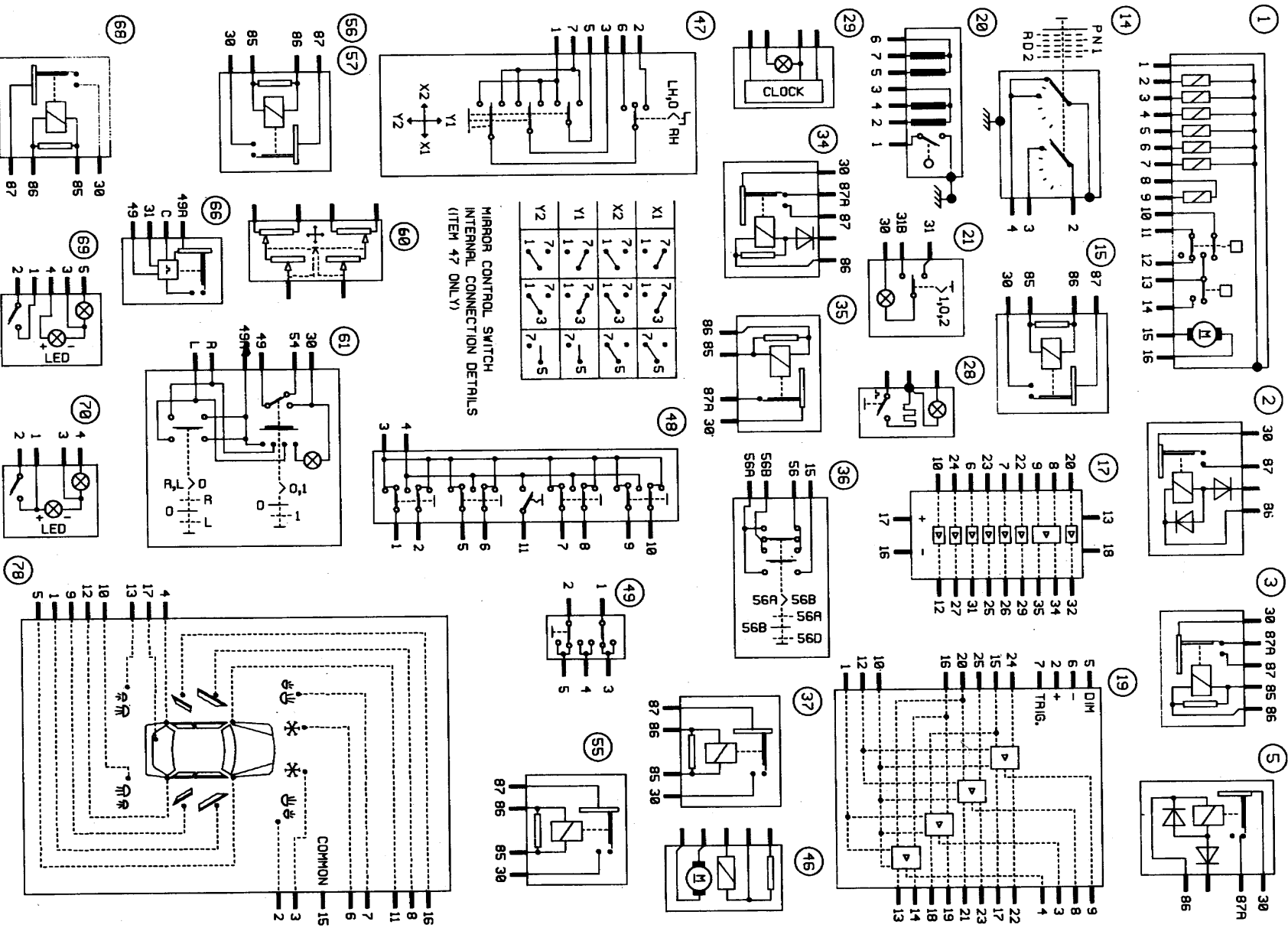
# 13•34 Wiring diagrams

ITEM	DESCRIPTION	DIAGRAM/ GRID REF.	ITEM	DESCRIPTION	DIAGRAM/ GRID REF.
1	RBS Hydraulic Control Unit	3b/D2	48	Electric Window Control Switch Front	3a/J4
2	RBS Hydraulic Motor Relay M6	3b/L6	49	Electric Window Control Switch Rear	3a/K1,
3	RBS Main Relay M7	3b/K5	50	Electric Window Motor LH Front	3a/F8
4	RBS Module	3b/J6	51	Electric Window Motor LH Rear	3a/F8
5	RBS Relay XII (PRE 1989)	3b/G3	52	Electric Window Motor RH Front	3a/F1
6	RBS Warning Indicator	3b/L3	53	Electric Window Motor RH Rear	3a/J1
7	Rlr Flow Sensor	4/B6	54	Electronic Ignition Module	1a/B2
8	Rlr Temp. Sensor	1a/B8	55	Engine Management Relay D	1a/R5,
9	Rlternator	1a/R3,			1a/K5,
		1a/R4,			4/H2
10	Amplifier/Graphic Equalizer	3/R3	56	Engine Management Relay M2	1a/K5
		5/C7,			1a/D6,
		5/J2	57	Engine Management Relay XI	1a/K2,
11	Antenna Module	3/L5,			1a/G5,
		5/E2,			4/G1
		5/E4,	58	Engine Temp. Sensor	1a/B7,
		5/F7,			1a/F1,
		5/L7,			1a/F7,
		5/M2,			4/C5
		5/M5			1a/F8
12	Ashtroy Illumination	2b/H6	59	ESC 2 Ignition Module	1a/F8
13	Auto. Gear Actuator	1/D7	60	Fader Control (4 Way)	5/C4,
14	Auto. Trans. Inhibitor Switch	1/D4,			5/J4
		2a/B5	61	Flasher/Hazard Switch	2a/K4
15	Auto. Trans. Relay XII	1/G2	62	Flasher Lamp LH	2a/R8
16	Auto. Trans. Selector Illumination	2b/J5	63	Flasher Lamp LH Side Marker	2a/E8
17	Auxiliary Warning Module	3c/H6,	64	Flasher Lamp RH	2a/R1
		3d/H6	65	Flasher Lamp RH Side Marker	2a/E1
18	Battery	1/E8,	66	Flasher Relay L1	2a/K5
		1a/L8,	67	Foglamp Front	2a/R2,
		3/O8,			2a/R7
		3b/D8,	68	Foglamp Relay H	2a/E4
19	Bulb Failure Module	4/E8	69	Foglamp Switch Front	2a/J1
		3c/H2,	70	Foglamp Switch Rear	2a/J2
		3d/G2	71	Fuel Computer	3d/K5
20	Carburettor Stepper Motor	1a/G7	72	Fuel Flow Sensor	3d/C7
21	Cargo Space Lamp	2b/H5	73	Fuel Injectors	4/E4
22	Cargo Space Lamp Switch	2b/H3	74	Fuel Pump	4/M4
23	Central Locking Motor LH Front	3a/G8	75	Fuel Sender	1/L4,
24	Central Locking Motor LH Rear	3a/H8			3d/L5
25	Central Locking Motor RH Front	3a/G1	76	Fuel Shut Off Valve	1a/C3,
26	Central Locking Motor RH Rear	3a/H1			1a/J3
27	Central Locking Motor Tailgate	3a/M4	77	Glove Box Lamp/Switch	2b/F7
28	Cigar Lighter	2b/S5	78	Graphic Display Module	3c/H5,
29	Clock	2b/S6	79	Handbrake Warning Switch	3d/G5
30	Coolant Temp. Sensor	1/C5	80	Headlamp Unit LH	2/R6,
31	Cooling Fan Motor	1a/R7			1/K5
32	Cooling Fan Switch	1a/C8	81	Headlamp Unit RH	2/R3,
33	Crank Position Sensor	1a/C7			3c/R3
34	Dim/Dip Relay II	2/G4	82	Headlamp Washer Pump	3a/C1
35	Dim/Dip Relay B	2/G5	83	Headlamp Washer Relay III	2/H2,
36	Dimmer Switch	2/L3			3a/F2,
37	Dip Beam Relay F	2/F5	84	Headlamp Wiper Motor	3a/R2,
38	Distributor	1a/C2,			3a/R6
		1a/D5,	85	Heated Rear Window	3/R5
		1a/H2,	86	Heated Rear Window Relay E (PRE 1989)	3/E4
		1a/J7,	87	Heated Rear Window Timer Relay IV	3/F4
		4/B5	88	Heated Rear Window Switch (PRE 1989)	3/J2
39	Door Rjor Sender LH Front	3d/F8	89	Heated Rear Window Switch (POST 1989)	3/K2
40	Door Rjor Sender LH Rear	3d/L8	90	Heated Windscreen	3/F6
41	Door Rjor Sender RH Front	3d/F1	91	Heated Windscreen Relay L3	3/J4
42	Door Rjor Sender RH Rear	3d/L1	92	Heated Windscreen Switch	3/J3
43	Door Rjor Sender Tailgate	3d/M4	93	Heated Windscreen Timer Relay L2	3/K4
44	EEC IX Module	4/J6	94	Heater Blower	2b/F5
45	Electric Choke	1a/R6,	95	Heater Blower Motor	3/G6
		1a/C3,	96	Heater Blower Switch	3/G5
		1a/F2,	97	High Beam Relay X	2/F4
		1a/F5	98	Horn	3/R6,
46	Electric Door Mirror	3/E1,			3/R7
		3/E8,			
47	Electric Mirror Control Switch	3/F2			

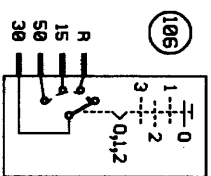
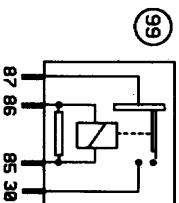
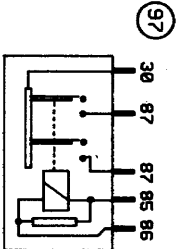
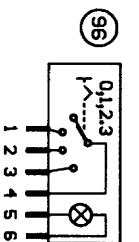
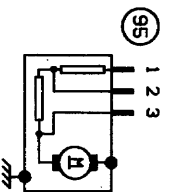
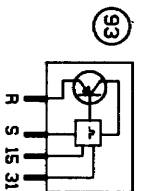
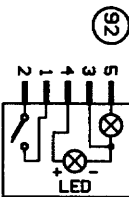
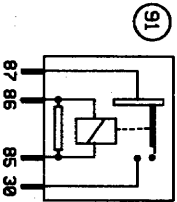
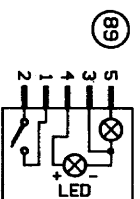
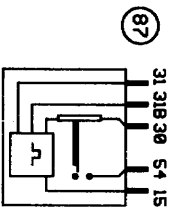
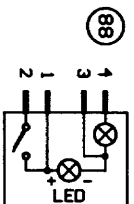
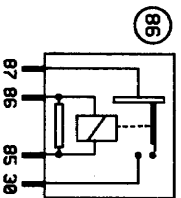
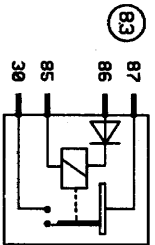
Key to wiring diagrams. Models from 1987 to May 1989

ITEM	DESCRIPTION	DIAGRAM/ GRID REF.	ITEM	DESCRIPTION	DIAGRAM/ GRID REF.
99	Horn Relay C . . . . .	3/F4	133	Radio Unit . . . . .	5/C2, 5/D5,
100	Horn Switch . . . . .	3/L4			5/E8,
101	Hybrid Ignition Module . . . . .	10/B7, 10/F2			5/K3, 5/K5,
102	Ice Warning Sender . . . . .	3d/R4			5/K8
103	Idle Speed Valve . . . . .	4/D5	134	Reversing Lamp Switch . . . . .	20/D5
104	Ignition Coil . . . . .	10/C2, 10/C5, 10/B2, 10/H6, 4/C5	135	Spark Plugs . . . . .	10/D2, 10/D5, 10/J2, 10/K7,
105	Ignition Relay I . . . . .	1/H4			4/R5
106	Ignition Switch . . . . .	1/K1, 3b/L2, 5/C1, 5/D3, 5/F7, 5/K7, 5/L4, 5/M2	136	Speaker LH Door . . . . .	5/C8, 5/D8, 5/J3, 5/J6
107	Inertia Switch . . . . .	10/M3, 1/K3			5/R2, 5/R5, 5/R8, 5/G3, 5/G6, 5/H8
108	Instrument Cluster . . . . .	4/M3	138	Speaker LH Rear . . . . .	5/F5, 5/F8, 5/M3, 5/M6
109	Instrument Illumination Control . . . . .	10/M3, 2/J4, 20/J3, 20/F2, 3b/K3, 4/K3	139	Speaker RH Door . . . . .	5/D6, 5/J1, 5/J4
110	Interior Lamp Delay Relay V . . . . .	2b/G2, 3c/J2	140	Speaker RH Front . . . . .	5/R1, 5/R3, 5/R6, 5/G1, 5/G4, 5/H6
111	Interior Lamp Door Switch LH Front . . . . .	2b/E2			5/F3, 5/F6, 5/M1, 5/M4
112	Interior Lamp Door Switch LH Rear . . . . .	2b/E8			1/D5
113	Interior Lamp Door Switch RH Front . . . . .	2b/J8	142	Speed Sensor . . . . .	3d/E4
114	Interior Lamp Door Switch RH Rear . . . . .	2b/E1	143	Starter Motor . . . . .	1/D5
115	Interior Lamp/Switch Front (High Series) . . . . .	2b/J1	144	Stop Lamp Switch . . . . .	20/H3, 3b/J3, 3c/F5
116	Interior Lamp/Switch Front (Low Series) . . . . .	2b/J3	145	Suppressor . . . . .	10/J5, 10/K4, 3/C4, 4/E4
117	Interior Lamp/Switch Rear . . . . .	2b/K3			4/C8
118	Kickdown Rectuator . . . . .	1/D6	146	TFI Module . . . . .	4/C4
119	Kickdown Relay VIII . . . . .	1/H2	147	Throttle Position Sensor . . . . .	4/C4
120	Kickdown Switch . . . . .	1/J4	148	Trailer Flasher Indicator . . . . .	20/H5
121	Licence Plate Lamp . . . . .	2/M3, 2/M6	149	Vacuum Switch . . . . .	1/R6
122	Light Cluster LH Rear . . . . .	2/M8, 20/M8, 3c/M8	150	Vacuum Valve (From 1988) . . . . .	10/R6
123	Light Cluster RH Rear . . . . .	2/M1, 20/M1, 3c/M1	151	Warning Lamp Cluster . . . . .	3d/K6
124	Light Switch . . . . .	2/L3, 20/K3, 2b/J2, 3/L3, 30/J3, 3c/K4, 3d/J3	152	Windscreen Washer Pump . . . . .	30/C1
125	Link (Fitted When Manual Trans.) . . . . .	1/F2	153	Wiper Intermittent Relay V . . . . .	30/E3
126	Low Brake Fluid Sender . . . . .	1/C3, 3b/E3	154	Wiper Intermittent Speed Control . . . . .	30/E4
127	Low Washer Fluid Sender . . . . .	3d/C1	155	Wiper Motor Front . . . . .	30/M6
128	Luggage Comp. Lamp . . . . .	2b/L5	156	Wiper Motor Rear . . . . .	30/H3
129	Luggage Comp. Lamp Switch . . . . .	20/L4	157	Wiper Switch . . . . .	30/B8
130	Monifold Heater . . . . .	10/J1, 10/F6	158	Wheel Sensor LH Front . . . . .	3b/L8
131	Monifold Temp. Switch . . . . .	10/E2	159	Wheel Sensor LH Rear . . . . .	3b/B1
132	Oil Pressure Switch . . . . .	1/B6	161	Wheel Sensor RH Rear . . . . .	3b/L1

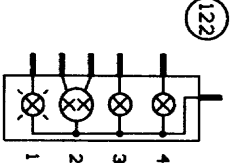
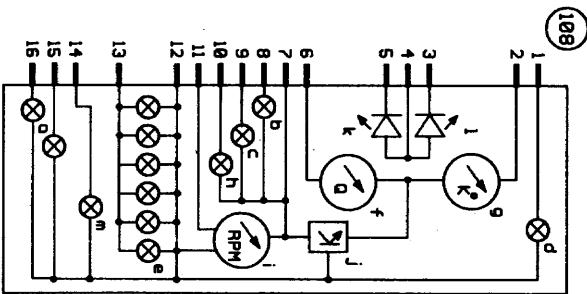
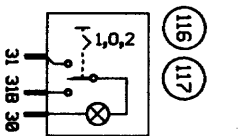
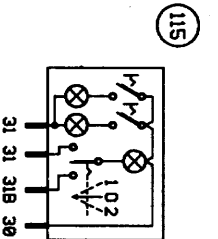
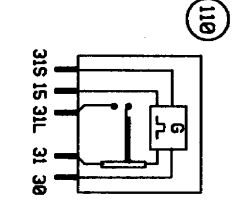
Key to wiring diagrams (continued). Models from 1987 to May 1989



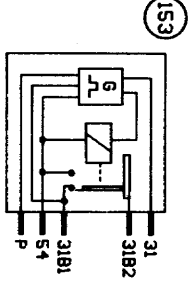
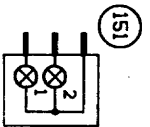
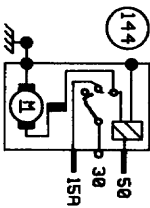
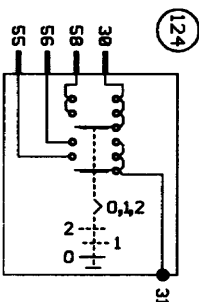
Internal connection details. Models from 1987 to May 1989



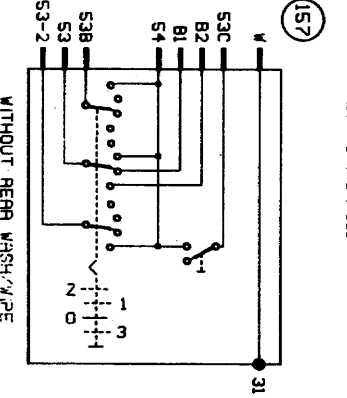
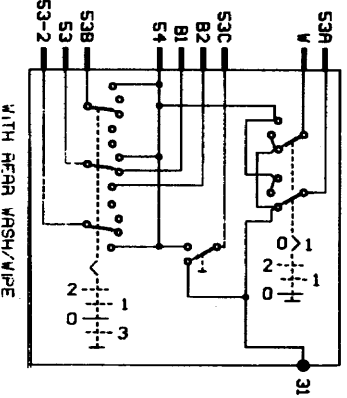
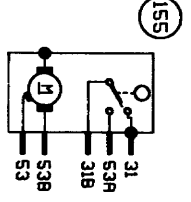
- o = Flasher Warning Lamp
  - b = Alternator Warning Lamp
  - c = Handbrake Warning Lamp
  - d = Main Beam Warning Lamp
  - e = Instrument Illumination
  - f = Fuel Gauge
  - g = Temperature Gauge
  - h = Oil Pressure Lamp
  - i = Tachometer
  - j = Voltage Stabilizer
  - k = Econolight Red
  - l = Econolight Amber
  - m = Seat Belt Warning Lamp
- KEY TO INSTRUMENT CLUSTER (ITEM 108)



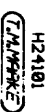
- KEY TO TYPICAL LIGHT CLUSTER (ITEMS 122 AND 123)
- 1 = Flasher Lamp
  - 2 = Fog/Tail Lamp
  - 3 = Reversing Lamp
  - 4 = Stop Lamp



- 1 = Low Fuel Warning Lamp  
2 = Low Washer Fluid Warning Lamp  
KEY TO ITEM 151



Internal connection details (continued). Models from 1987 to May 1989



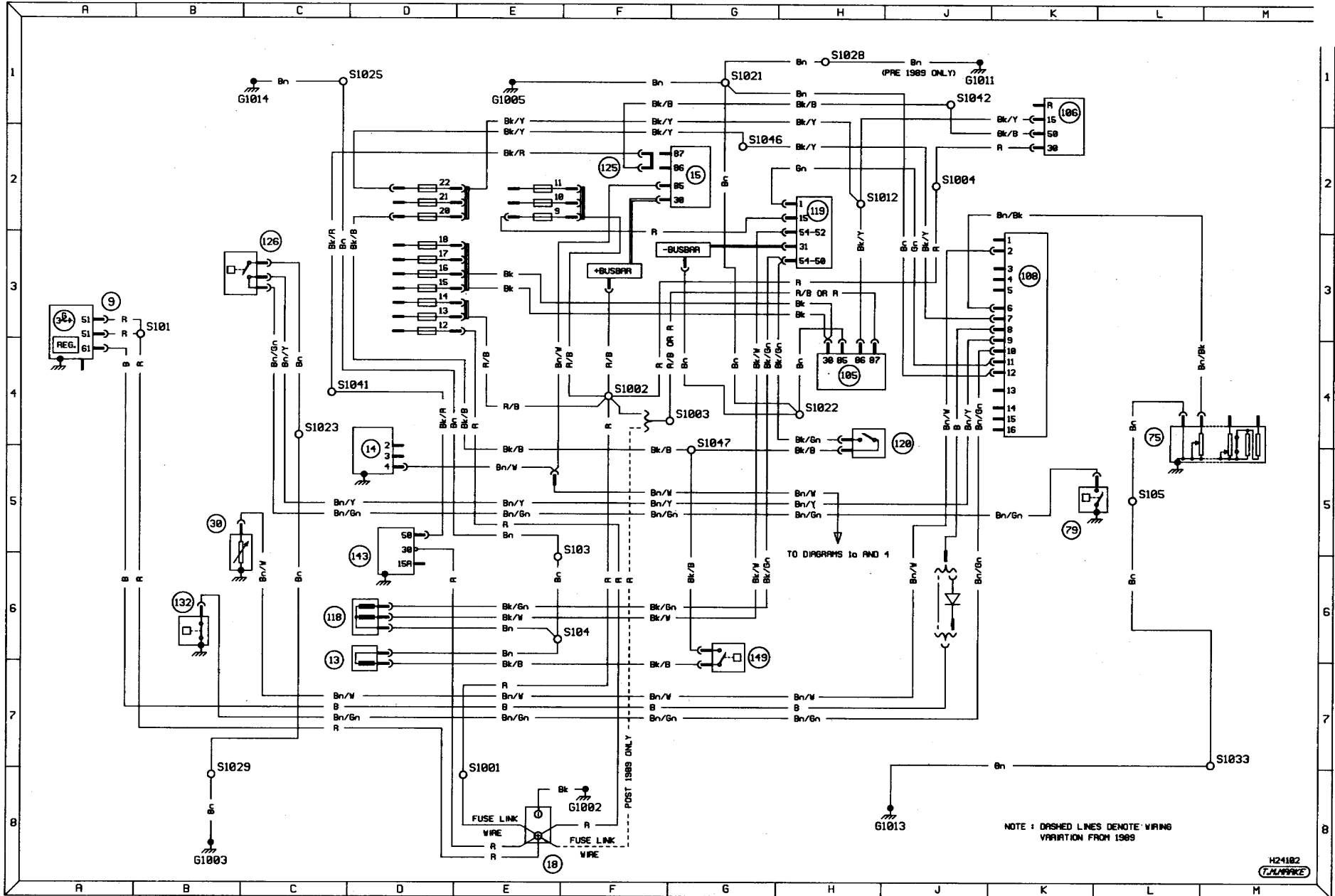


Diagram 1. Starting, charging and warning lamps. Models from May 1987 to May 1989

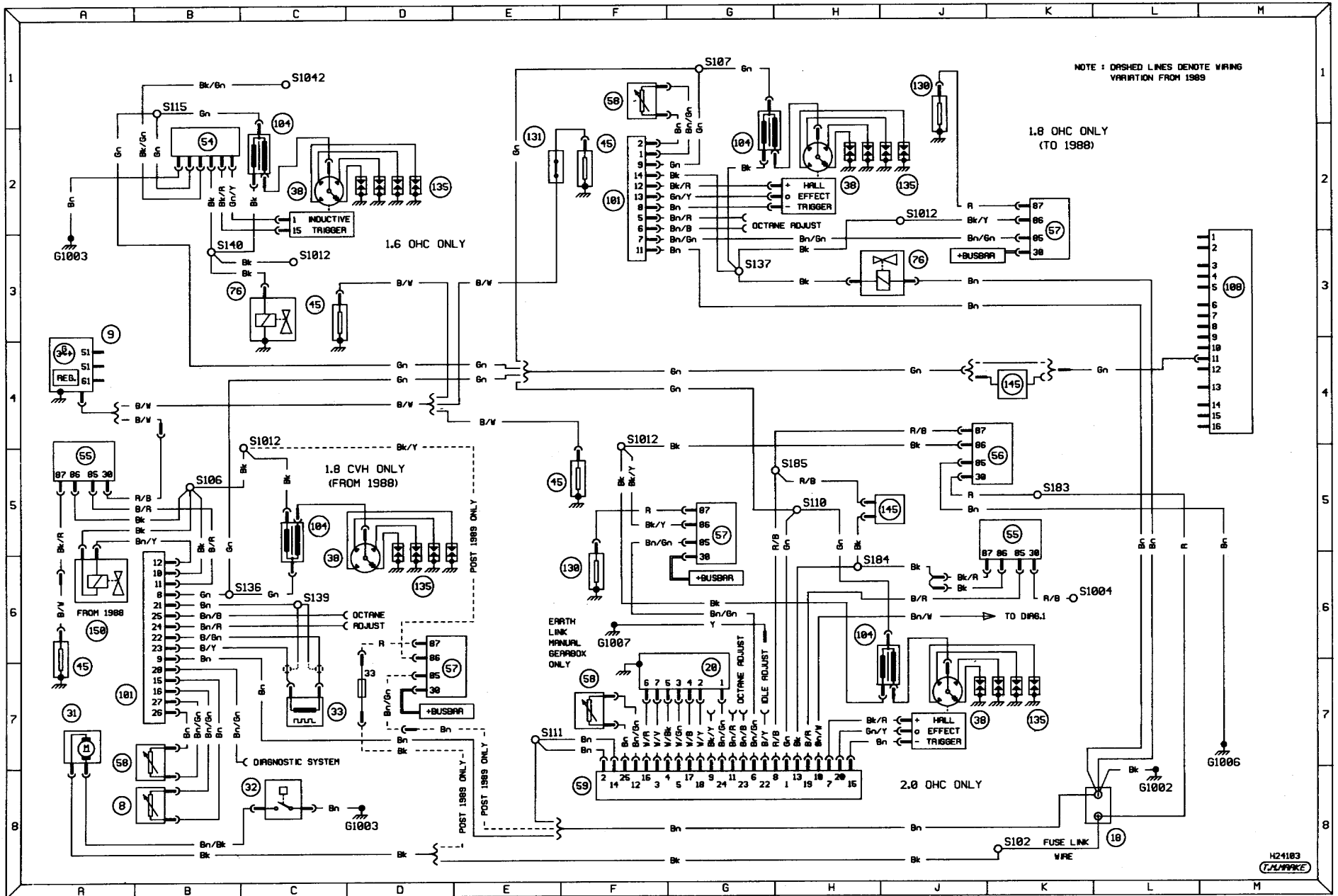


Diagram 1a. Ignition variations. Carburettor models from 1987 to May 1989

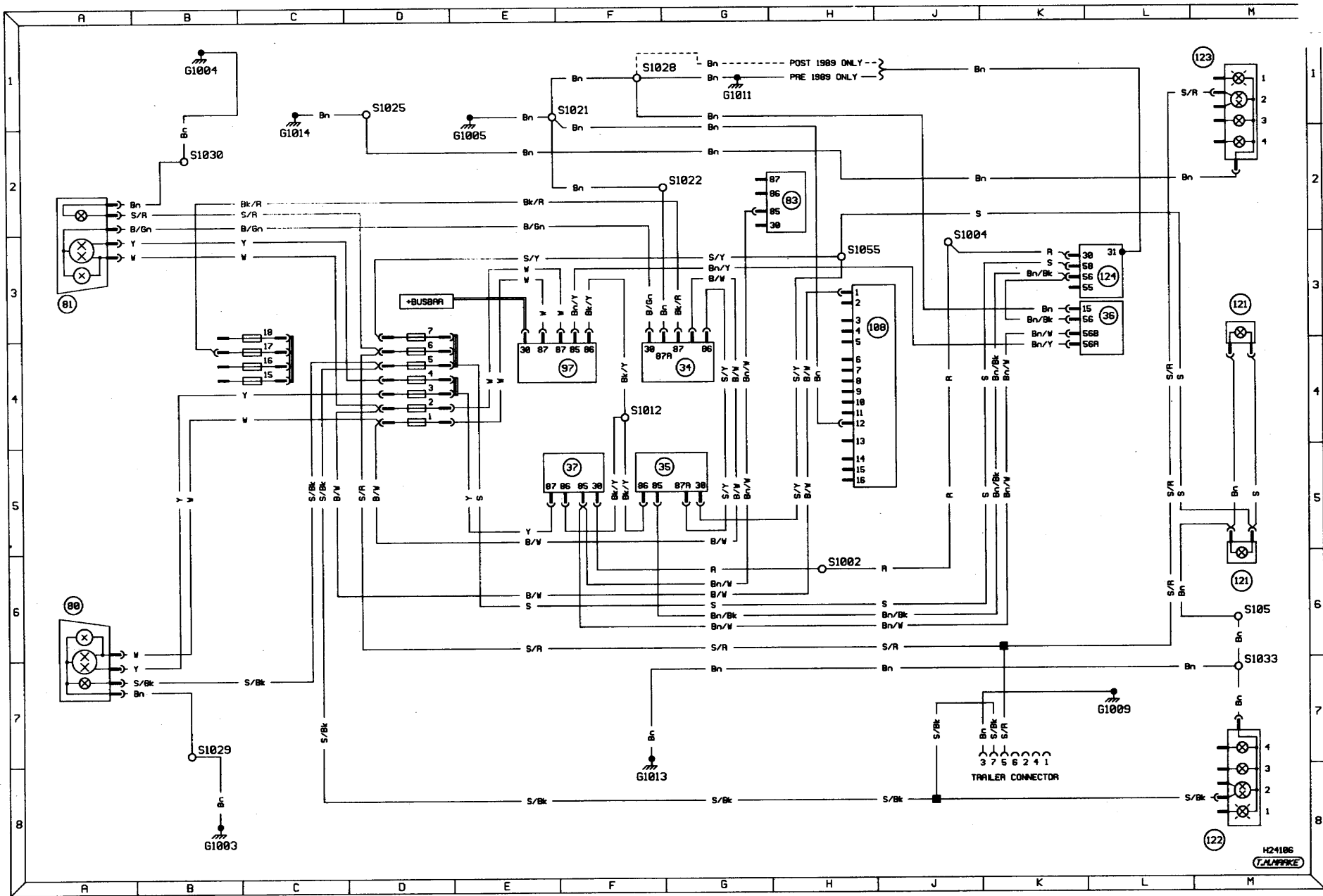


Diagram 2. Exterior lighting - head/sidelamps. Models from 1987 to May 1989

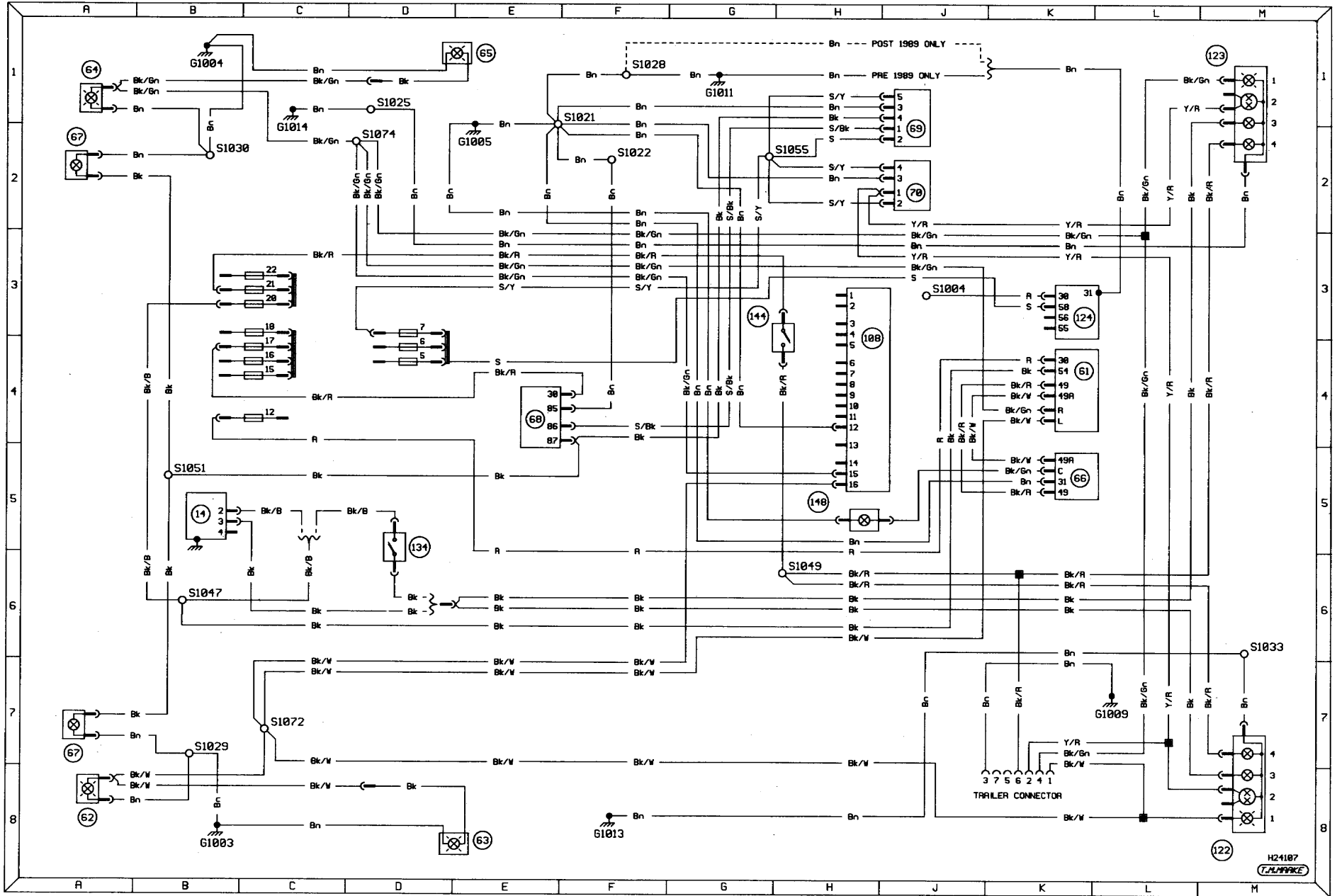


Diagram 2a. Exterior lighting - signal warning lamps. Models from 1987 to May 1989



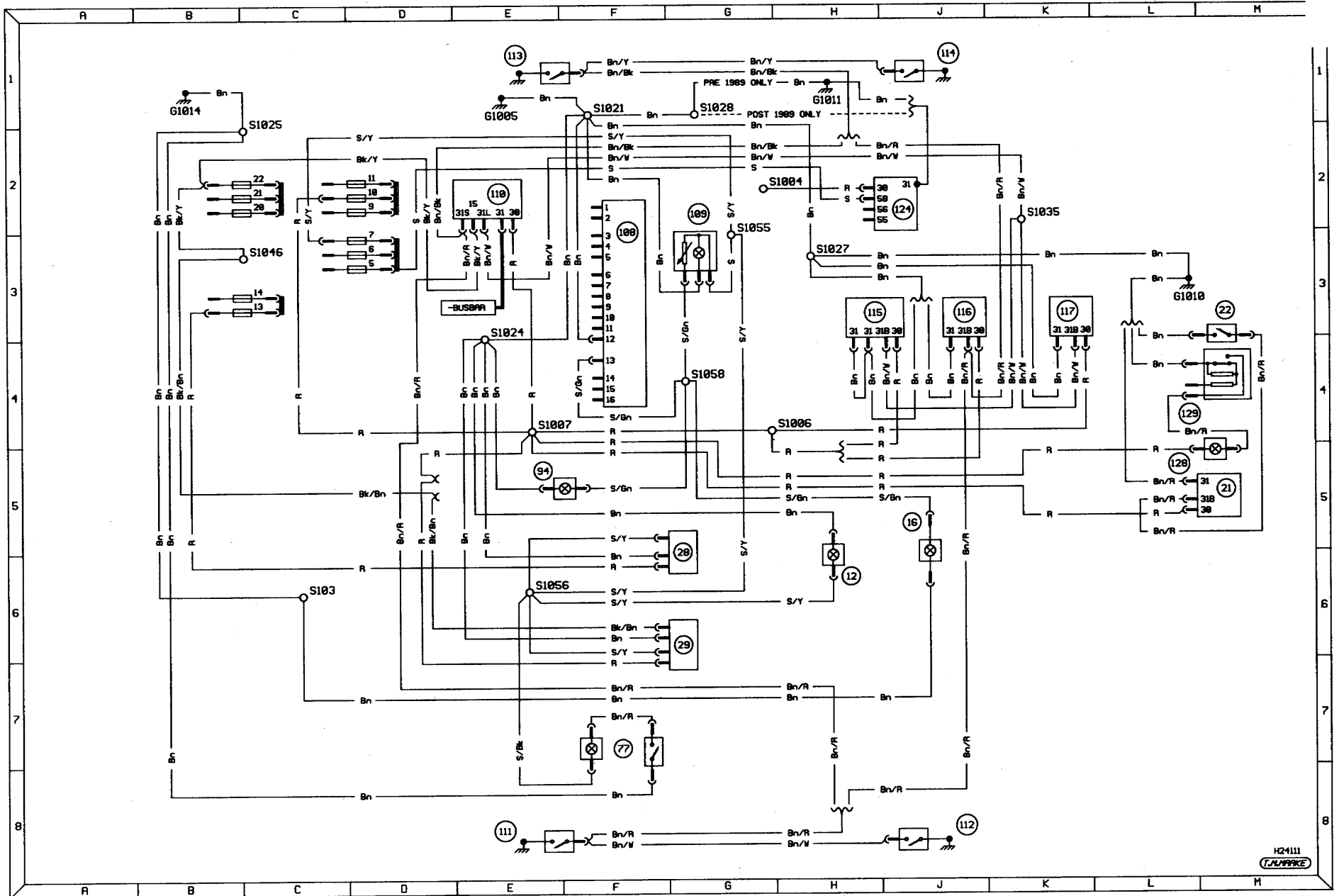


Diagram 2b. Interior lighting. Models from 1987 to May 1989

H24111  
TJ/M/P/R/K

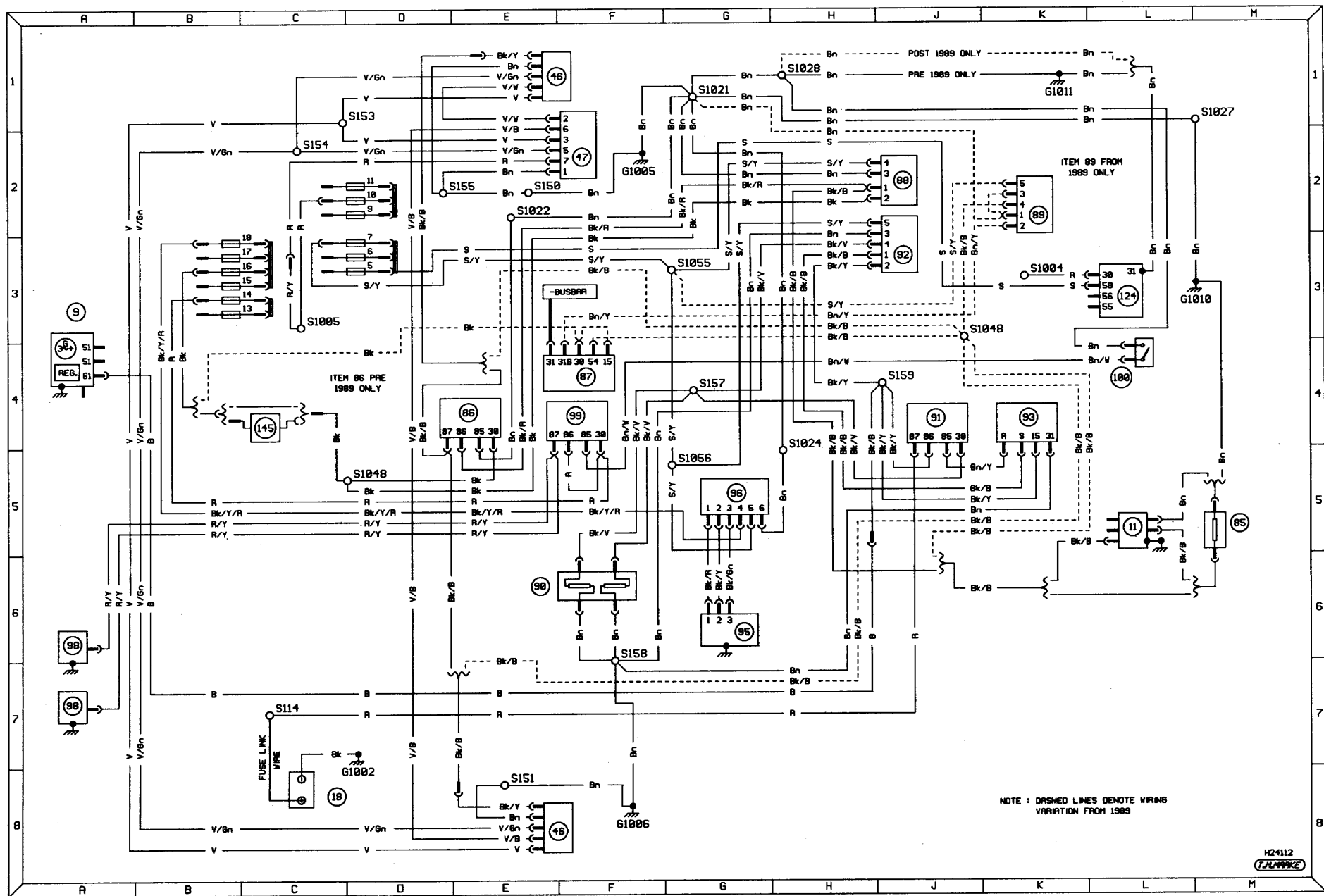


Diagram 3. Ancillary circuits - horn, heater blower, heated mirrors and screens.  
Models from 1987 to May 1989

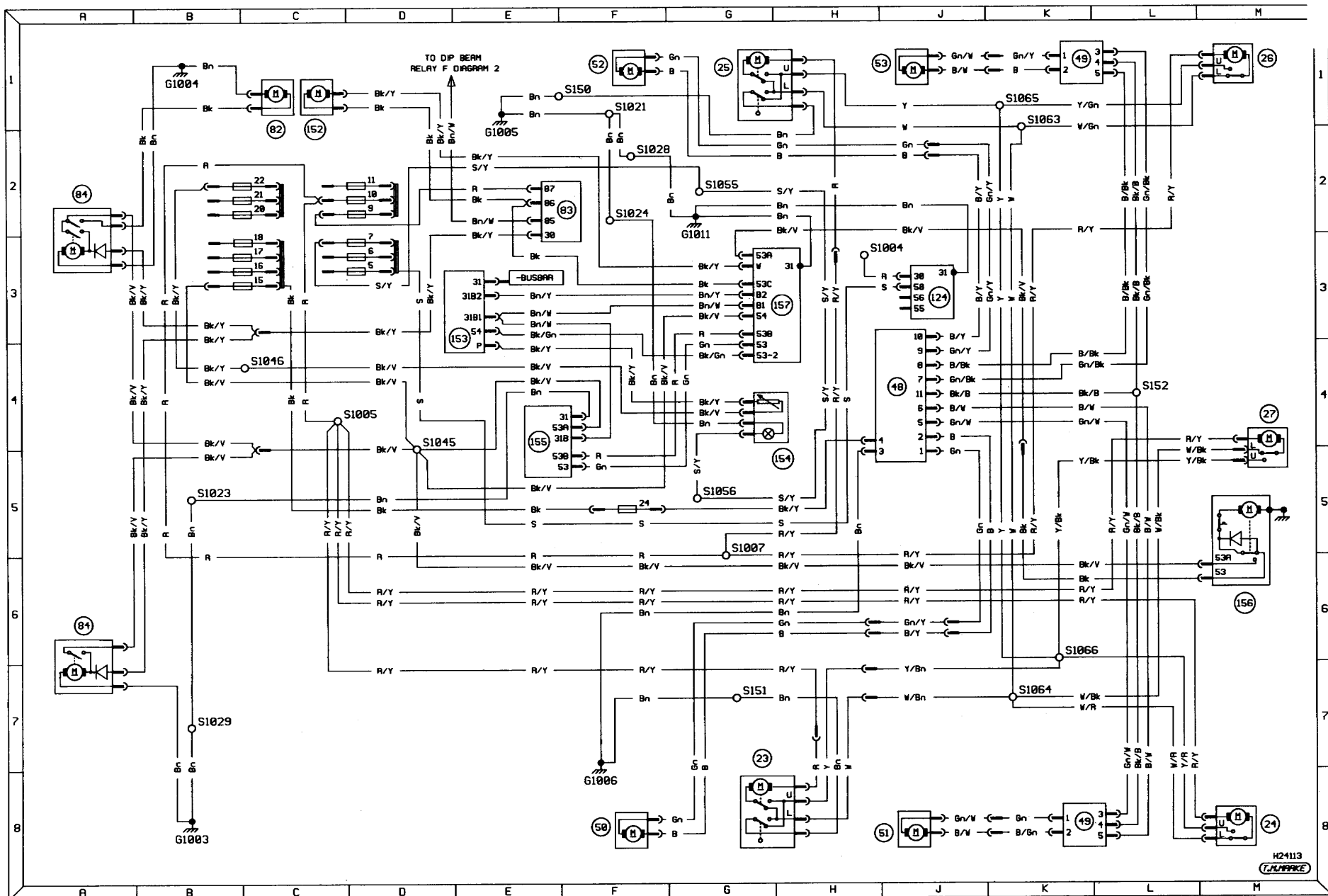


Diagram 3a. Ancillary circuits - wash/wipe, central locking and electric windows. Models from 1987 to May 1989

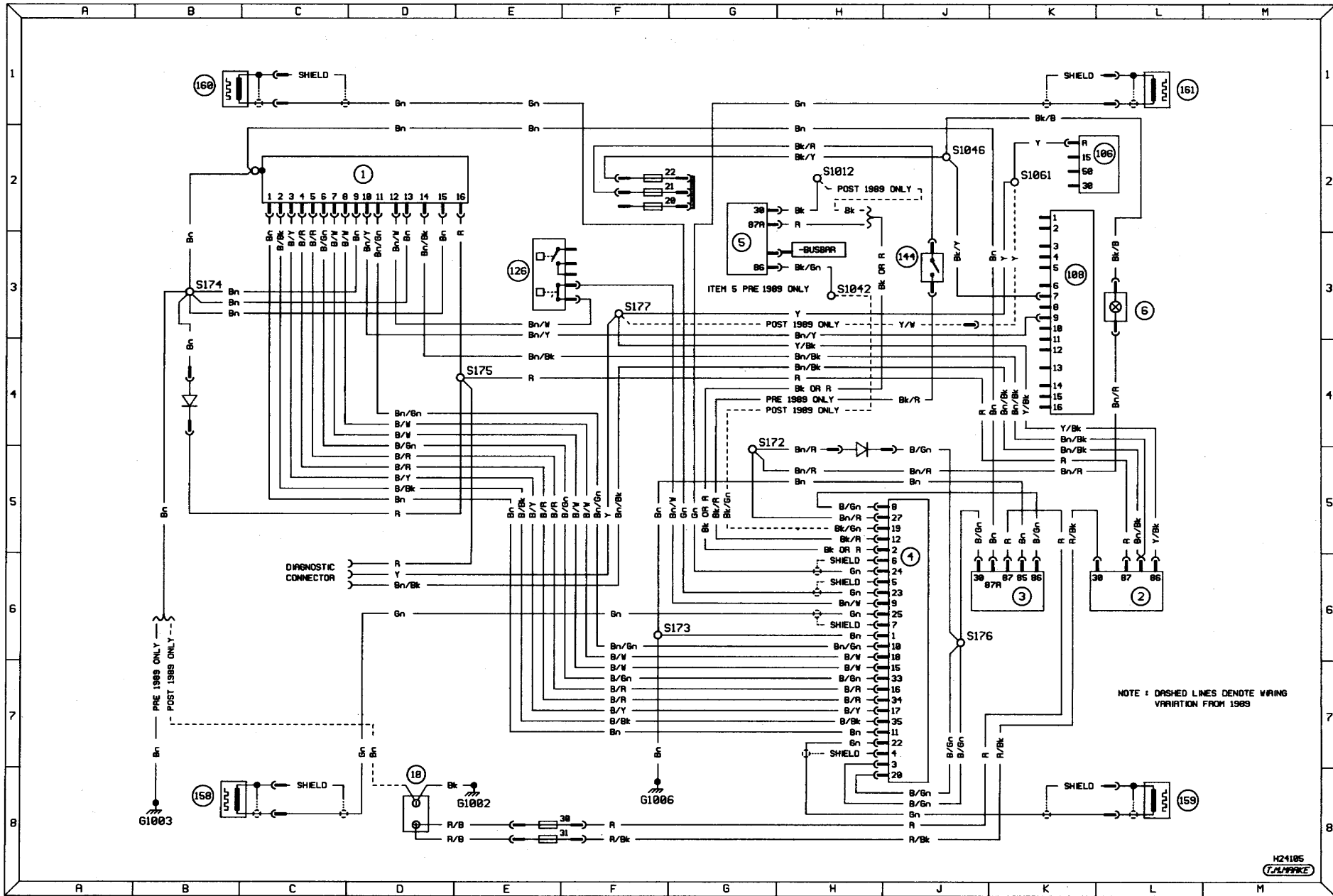


Diagram 3b. Anti-lock braking system. Models from 1987 to May 1989

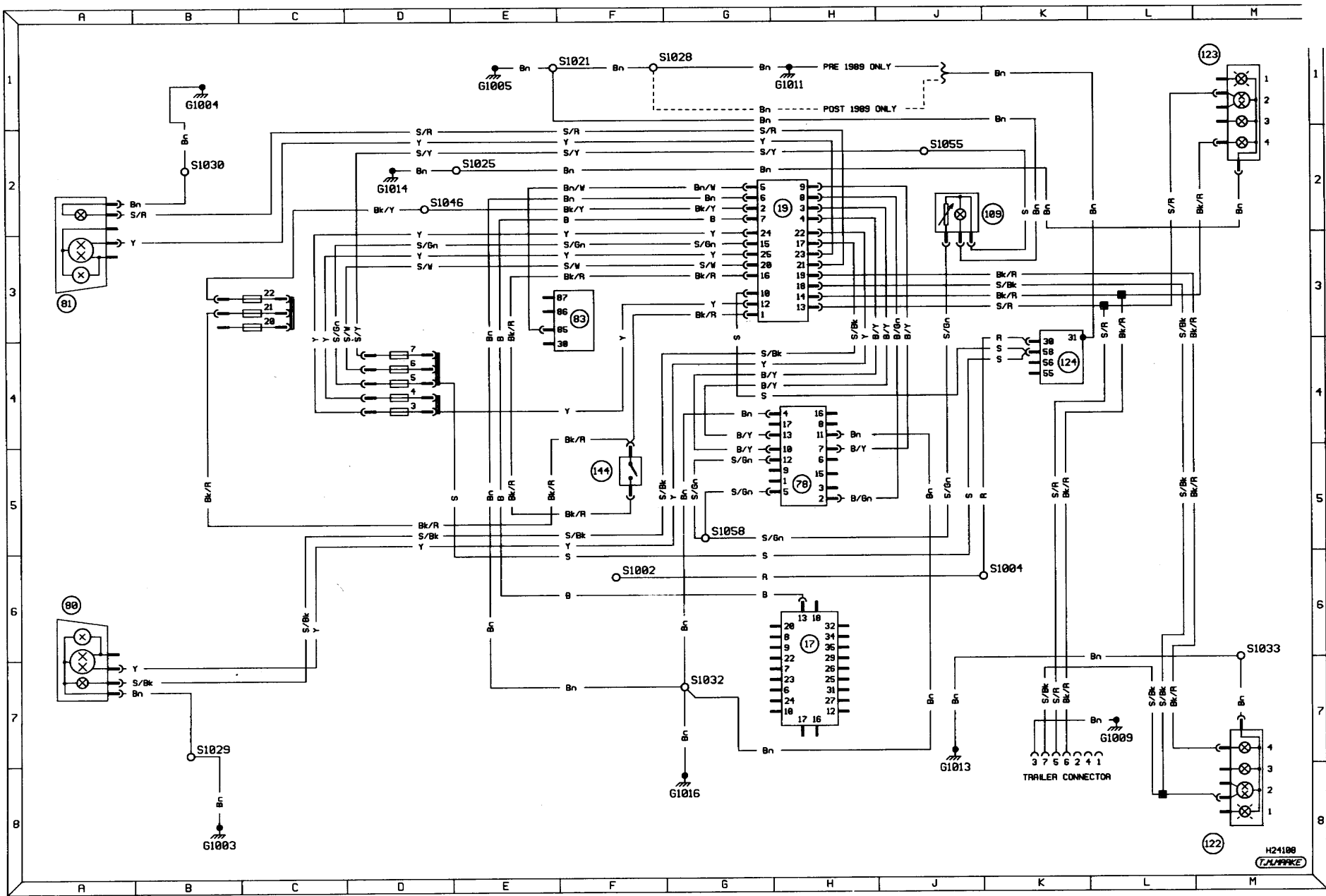


Diagram 3c. Graphic display system - bulb failure. Models from 1987 to May 1989

H24108  
TJM/PPKZ

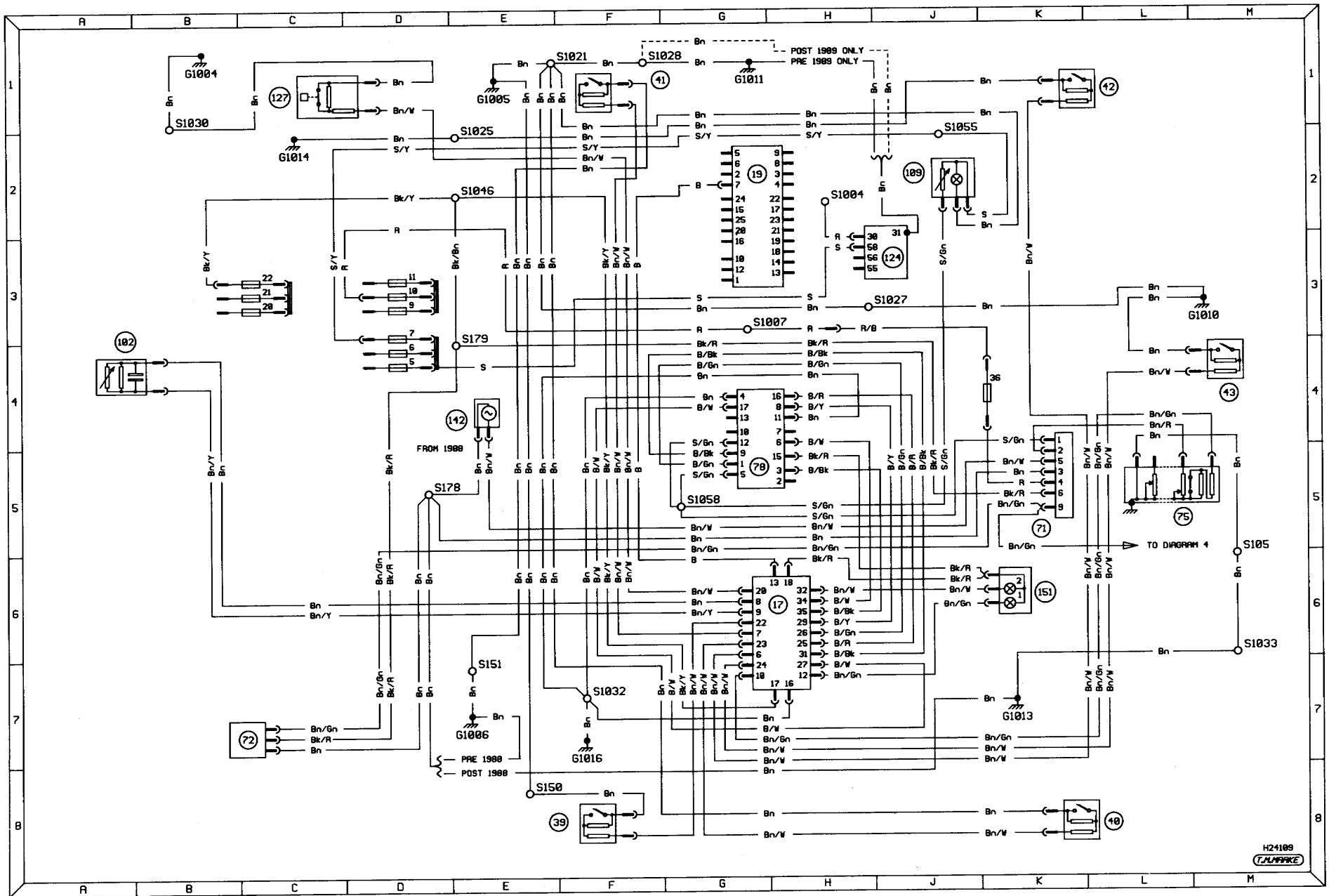


Diagram 3d. Graphic display system - auxiliary warning, door ajar and fuel computer. Models from 1987 to May 1989

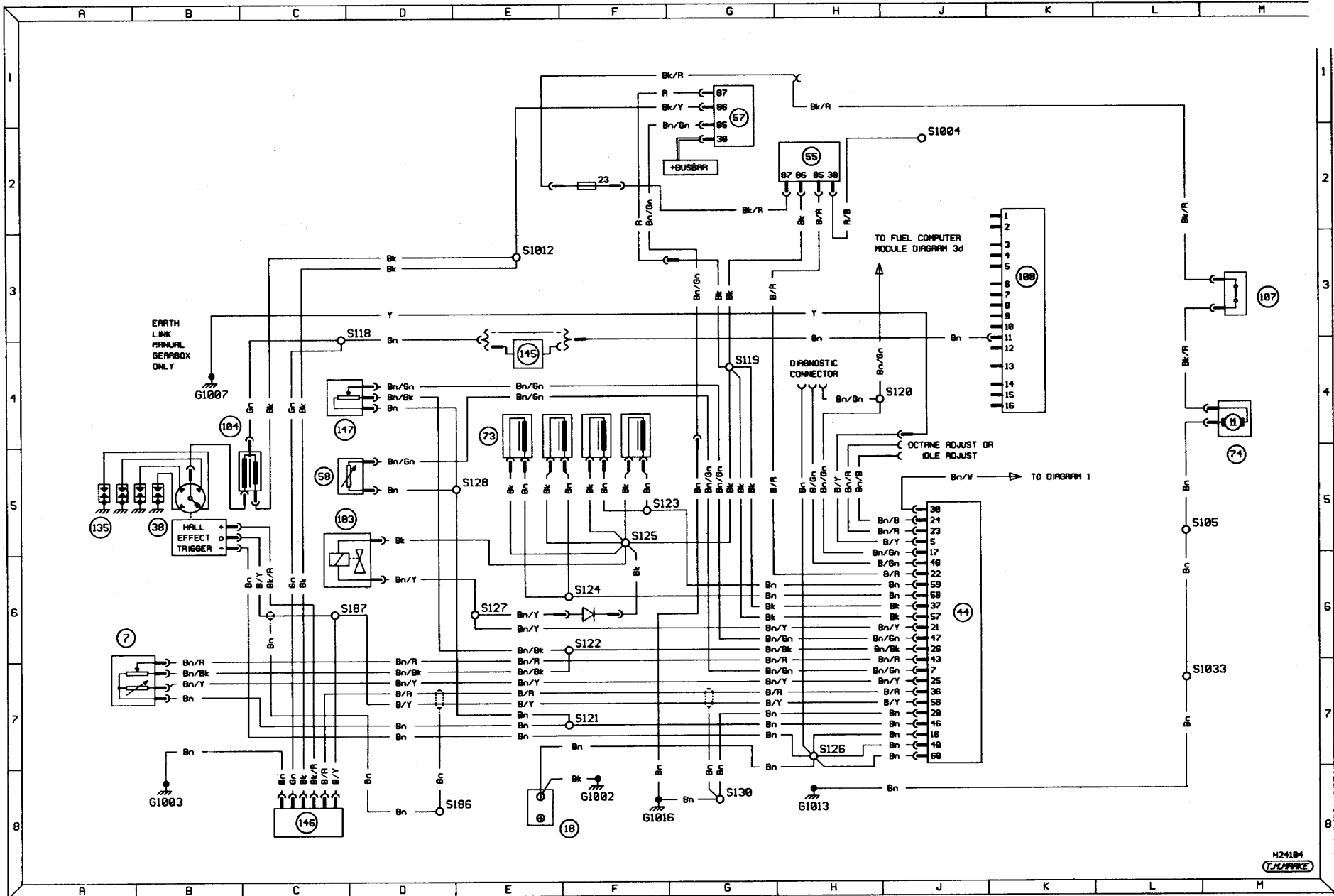


Diagram 4. 2.0 Efi fuel injection and ignition. Models from 1987 to May 1989

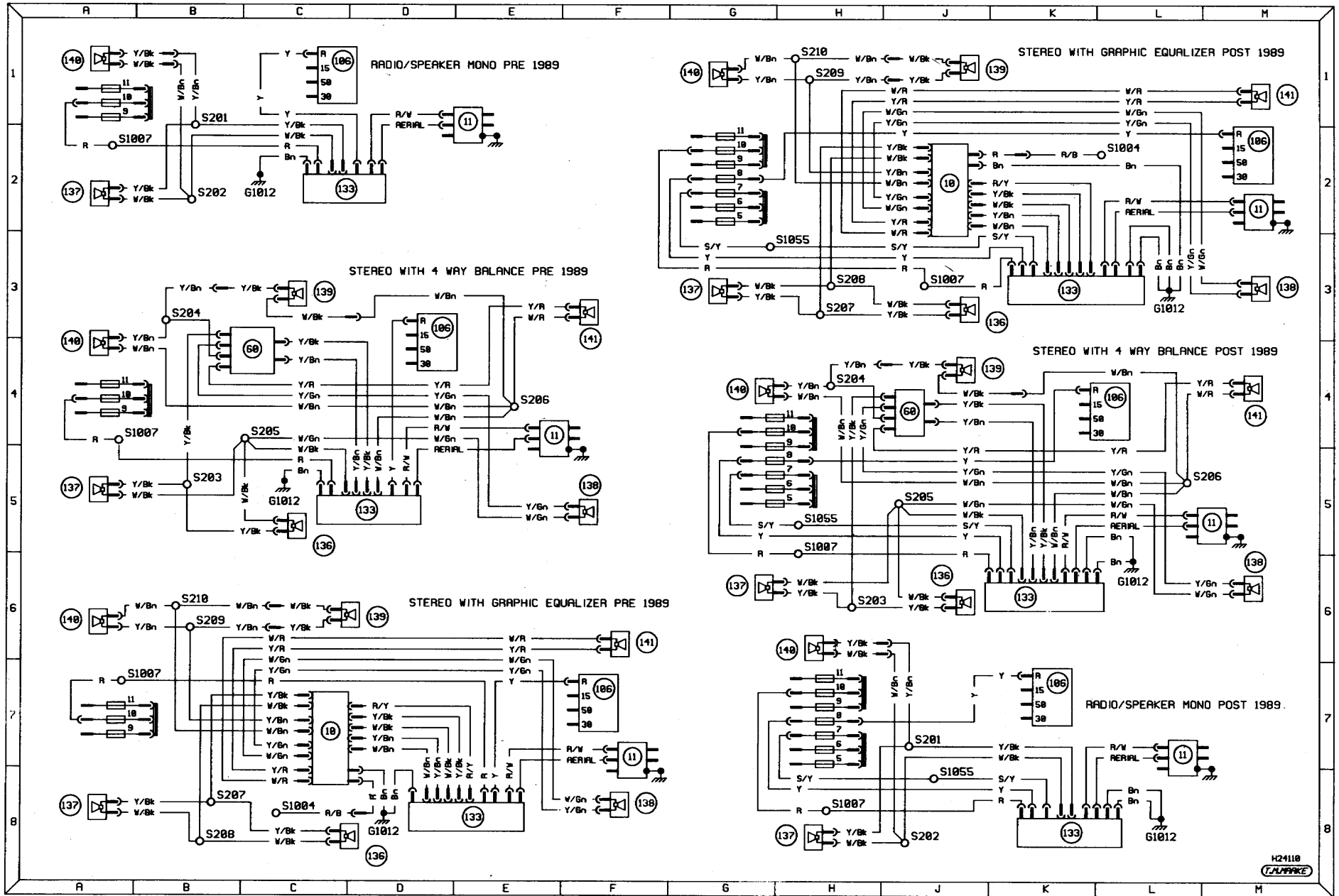


Diagram 5. In-car entertainment. Models from 1987 to May 1989

H24118  
TALFAKKE



NOTES:





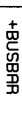
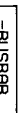


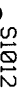
1. All diagrams are divided into numbered circuits depending on function e.g. Diagram 2: Exterior Lighting.
2. Items are arranged in relation to a plan view of the vehicle.
3. Items may appear on more than one diagram so are found using a grid reference e.g. 2/R1 denotes an item on diagram 2 grid location R1.
4. Complex items appear on the diagrams as blocks and are expanded on the internal connections page.
5. Feed wires are coloured red (black when switched) and all earth wires are coloured brown.
6. Brackets show how the circuit may be connected in more than one way.
7. Not all items are fitted to all models.

WIRE COLOURS

B	Blue
Bk	Black
Bn	Brown
Gn	Green
R	Red
Rs	Pink
S	Grey
V	Violet
W	White
Y	Yellow

FUSE	RATING	CIRCUIT
1	15R	LH Main Beam, LH Driving Lamp
2	15R	RH Main Beam, RH Driving Lamp
3	7.5R	LH Dip Beam
4	7.5R	RH Dip Beam
5	5R	LH Sidelamp
6	5R	RH Sidelamp
7	15R	Instrument Illum, Numberplate Lamp
8	15R	Radio
9	15R	Headlamp Wash
10	7.5R	Interior Lamps, Clock, Door Locking, Mirrors
12	10R	Hazard Warning Lamps, Anti-theft, Door Locking
13	20R	Cigar Lighter, Radio Amplifier
14	10R	Horn
15	15R	Wiper Motors, Washer Pump
16	20R	Heated Rear Window, Heated Mirrors
17	15R	Front Foglamps, Dim/Dip
18	25A	Heater Blower
20	10R	Direction Indicator's, Reversing Lamps
21	7.5R	Stop Lamps
22	4R	Control Circuits
23	20R	Fuel Pump
24	30R	Power Windows
30	20R	Anti-lock Brake
31	30R	Anti-lock Brake Pump 1
32	15R	Lambda Sensor
33	30R	Cooling Fan
34	30R	Anti-lock Brake Pump 2
35	1R	EEC V Module
37	1R	Fuel Computer

KEY TO SYMBOLS

	PLUG-IN CONNECTOR
	EARTH
	BULB
	LINE CONNECTOR
	FUSEBOX COMMON FEED
	FUSEBOX COMMON EARTH
	DIODE
	FUSE
	SOLDERED JOINT

Notes, tables, wire colours and key to symbols on wiring diagrams. Models from 1990 onwards

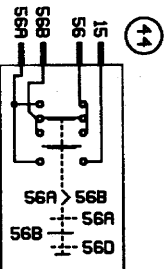
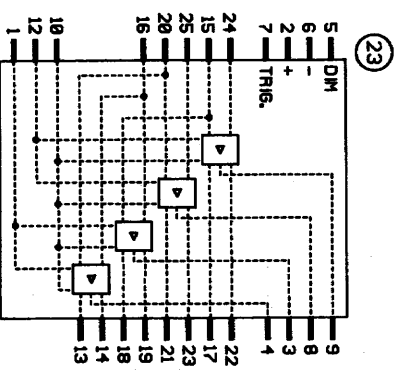
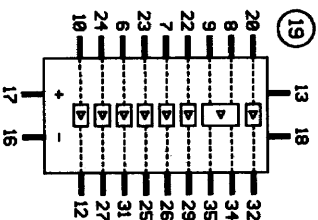
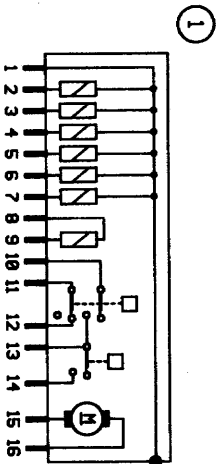
ITEM	DESCRIPTION	DIAGRAM/ GRID REF.	ITEM	DESCRIPTION	DIAGRAM/ GRID REF.
1	ABS Hydraulic Control Unit	3b/C2	42	Dim/Dip Relay B	2/F5
2	ABS Main Relay M12	3b/H6	43	Dip Beam Relay F	2/E5
3	ABS Module	3b/S66	44	Dimmer Switch	2/L3
4	ABS Pump Relay M13	3b/J6	45	Direction Indicator Flasher Relay	2a/K5
5	ABS Pump Relay M14	3b/K6	46	Direction Indicator/Hazard Switch	2a/K4
6	ABS Warning Indicator	3b/L3	47	Direction Indicator Lamp LH	2a/R8
7	Air Temp. Sensor	1a/G1,	48	Direction Indicator Lamp RH	2a/R1
		4/B6,	49	Direction Indicator Side Repeater LH	2a/D8
		4a/C5	50	Direction Indicator Side Repeater RH	2a/D1
8	Alternator	1/R3,	51	Distributor	1a/C2,
		1a/R4,			1a/D6,
		3/R3			1a/J2,
9	Amplifier (Audio)	5/K6	52	Door Ajar/Lamp Switch LH Front	4a/B5
10	Amplifier/Graphic Equalizer	5/K2			3a/F8,
11	Antenna Module	3/L5,	53	Door Ajar/Lamp Switch LH Rear	5a/F8
		5/C1,			3a/LB,
		5/C5,	54	Door Ajar/Lamp Switch RH Front	5a/K8
		5/K2,			3a/F1,
		5/K6	55	Door Ajar/Lamp Switch RH Rear	3a/L1,
12	Anti-theft Module	5a/D2			5a/K1
13	Anti-theft Switch	5a/H2	56	Door Ajar/Lamp Switch Tailgate (Sapphire & Hatchback Only)	2b/M4,
		5a/H7			3a/M4,
14	Restroy Illumination	2b/H6	57	E.D.I.S. Module	5a/L4
15	Auto. Gear Retraitor	1/D7	58	EEC IX Module	4/E4
16	Auto. Trans. Inhibitor Switch	1/D4,	59	Electric Choke	4a/K6
		2a/B6			1a/R6,
17	Auto. Trans. Relay XII	1/F2			1a/C3,
18	Auto. Trans. Selector Illumination	2b/J6			1a/E3
19	Auxiliary Warning Module	3c/H6,	60	Electric Door Mirror	3/F1,
		3a/G6			3/F8
20	Bollost Resistor	4/D2,	61	Electric Mirror Control Switch	3/F2
		4a/G8	62	Electric Window Control Switch Front	3a/J4
21	Battery	1/F8,	63	Electric Window Control Switch Rear	3a/K1,
		1a/H8,			3a/K8
		2/F7,	64	Electric Window Motor LH Front	3a/F8
		2a/G8,	65	Electric Window Motor LH Rear	3a/J8
		2b/C8,	66	Electric Window Motor RH Front	3a/F1
		3/C8,	67	Electric Window Motor RH Rear	3a/J1
		3b/D8,	68	Electronic Ignition Module	1a/B1,
		3c/E8,			4a/B8
		3d/D8,	69	Engine Management Relay D	1a/E1,
		4/F8,			4a/H1
		4a/F8,	70	Engine Management Relay XI	4/H1,
		5/D8,			4a/G1
		5a/D8			1a/B6,
22	Bonnet Switch	5a/D8	71	Engine Temp. Sensor	1a/G1,
23	Bulb Failure Module	3c/H3,			1a/B6,
		3a/G2	72	ESC 2 Ignition Module	1a/B6
24	Canister Purge Solenoid	4/D3	73	Foglamp Front	2a/R2,
25	Cargo Space Lamp (Estote Only)	2b/M5,			2a/R7
		5a/L6	74	Foglamp Relay H	2a/E5
26	Cargo Space Lamp Switch	2b/M4,	75	Foglamp Switch Front	2a/J1
	(Estote Only)	5a/M3	76	Foglamp Switch Rear	2a/J2
27	CD Player	5/J5	77	Fuel Computer	3d/K5
28	Central Locking Motor LH Front	3a/H8,	78	Fuel Gauge Sender Unit	1/L4,
29	Central Locking Motor LH Rear	5a/H8,			3a/L5
30	Central Locking Motor RH Front	3a/H1,	79	Fuel Injectors	4/B4,
		5a/H1			4a/F4
31	Central Locking Motor RH Rear	3a/M1,	80	Fuel Pump	1a/F8,
		5a/L1			4a/M4
32	Central Locking Motor Tailgate	3a/M5	81	Fuel Pump Relay	1a/D7
33	Cigar Lighter	2b/F6	82	Fuel Roll Temp. Switch	4a/J4
34	Clock	2b/F7	83	Fuel Shut Off Solenoid	1a/B3,
35	CD Rdjuster Potentiometer	4a/C6	84	Glove Box Lamp/Switch	2b/E7
36	Coolant Temp. Gauge Sender Unit	1/C6	85	Graphic Display Module	3c/H5,
37	Cooling Fan Motor	1/R5	86	Graphic Equalizer	5/H5
38	Cooling Fan Relay	1/J6	87	Handbrake Warning Switch	1/K5
39	Cooling Fan Switch	1/B5	88	Headlamp Unit LH	2/R6,
40	Crank Position Sensor	1a/C6,			3c/R6
		1a/H1,			
		4/D5,			
		4a/E3			
41	Dim/Dip Relay II	2/G3			

Key to wiring diagrams. Models from 1990 onwards

# 13•52 Wiring diagrams

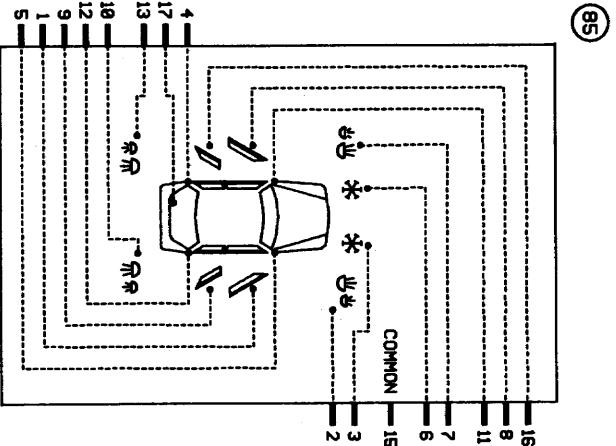
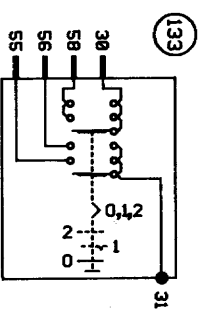
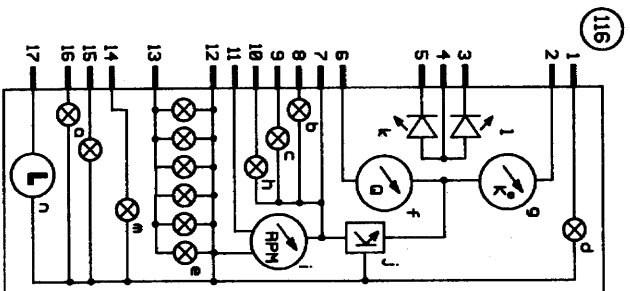
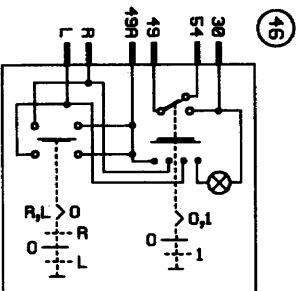
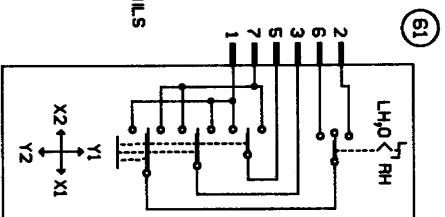
ITEM	DESCRIPTION	DIAGRAM/ GRID REF.	ITEM	DESCRIPTION	DIAGRAM/ GRID REF.
89	Headlamp Unit RH	2/R/3, 3C/R/3	131	Lamp Cluster LH Rear	2/M/8, 2a/M/8, 3C/M/8
90	Headlamp Washer Pump	3a/C/1	132	Lamp Cluster RH Rear	2/M/1, 2a/M/1, 3C/M/1
91	Headlamp Washer Relay III	3a/C/F2			
92	Headlamp Wiper Motor	3a/R/2, 3a/R/7	133	Lamp Switch	2/L/3, 2a/L/3, 2b/L/3, 3a/L/3, 3c/L/3, 3d/H/3, 5/M/3
93	Heated Rear Window	3/M/5			
94	Heated Rear Window Timer Relay IV	3/C/5			
95	Heated Rear Window Switch	3/J/3			
96	Heated Washer Jet	3/R/1, 3/R/8			
97	Heated Windscreen	3/F/5			
98	Heated Windscreen Relay L3	3/J/5			
99	Heated Windscreen Switch	3/J/2	134	Lamps On Warning Module	2b/D/7
100	Heated Windscreen Timer Relay L2	3/K/5	135	Link (fitted when Manual Trans.)	1/F/2
101	Heater Blower Illumination	2b/E/4	136	Low Brake Fluid Sender Unit	1/C/3, 3b/D/2
102	Heater Blower Motor	3/G/6			
103	Heater Blower Switch	3/G/5	137	Low Washer Fluid Sender Unit	3d/C/1
104	Heater End Switch	3/F/6	138	Luggage Comp. Lamp (Sapphire/Hotchback)	2b/M/5, 5a/L/5
105	High Beam Relay X	2/F/4	139	MFP Sensor	4/G/4, 4a/G/4
106	Horn	3/R/7, 5a/R/6	140	Number Plate Lamp	4a/G/4 2/M/3, 2/M/6
107	Horn Relay C	3/C/6			
108	Horn Switch	3/L/4	141	Oil Pressure Switch	1/B/7
109	Hybrid Ignition Module	1a/F/3	142	Power Delay Relay H5	4/K/5
110	Ice Warning Sender	3a/R/4	143	Radio Unit	5/C/3, 5/C/7, 5/H/2, 5/H/8
111	Idle Speed Solenoid	4a/C/5			
112	Ignition Coil	1a/D/1, 1a/D/6, 1a/H/2, 4/C/5, 4a/B/4	144	Reversing Lamp Switch	2a/D/6
113	Ignition Relay I	2/G/5, 2a/F/4, 3/D/5, 3a/E/5	145	Spark Plugs	1a/D/2, 1a/E/6, 1a/J/2, 4/C/4, 4a/R/5
114	Ignition Switch	1/K/1, 1a/M/1, 2/K/2, 2a/K/1, 2b/G/2, 3/L/2, 3a/K/2, 3b/K/2, 3c/L/2, 3d/L/1, 4a/L/1, 5/M/1	146	Speaker LH Door	5/B/3, 5/L/8, 5/L/1, 5/L/5
115	Inertia Switch	1a/E/8, 4/M/3, 4a/M/3	147	Speaker LH Rear	5/D/7, 5/L/3, 5/L/8, 5/B/1, 5/R/5, 5/L/1, 5/K/5
116	Instrument Cluster	1/K/3, 1a/M/3, 2/J/3, 2a/H/4, 2b/F/2, 3b/L/3, 4/L/3, 4a/K/3	148	Speaker RH Door	5/R/5, 5/L/1, 5/L/5
117	Instrument Illumination Control	2b/G/3, 3c/J/2, 3d/J/2	149	Speaker RH Rear	5/D/5, 5/L/1, 5/L/5
118	Intake Air Valve	3d/J/2	150	Speed Sensor	1/H/7
119	Interior Lamp Delay Relay VI	2b/D/2	151	Starter Motor	1/G/6
120	Interior Lamp Door Switch LH Front	2b/E/8	152	Stop Lamp Switch	1/J/4, 2a/H/4, 3c/F/5, 4/R/5, 4a/E/3
121	Interior Lamp Door Switch LH Rear	2b/O/8			
122	Interior Lamp Door Switch RH Front	2b/J/1	153	Suppressor	3c/F/5
123	Interior Lamp Door Switch RH Rear	2b/J/1	154	Throttle Control Motor	4/R/5
124	Interior Lamp/Switch Front (High Series)	2b/J/3	155	Throttle Position Sensor	4/B/7, 4a/O/4
125	Interior Lamp/Switch Front (Low Series)	2b/J/3	156	Trailer Flasher Indicator	2a/O/4
126	Interior Lamp/Switch Rear	2b/K/3	157	Vacuum Valve	2a/O/5
127	Kickdown Rectuator	1/D/6	158	Warning Lamp Cluster	1a/H/3
128	Kickdown Relay VIII	1/H/3	159	Washer Pump Front/Rear Screen	3d/K/6
129	Kickdown Switch	1/H/4	160	Washer Pump Front/Rear Screen	3a/O/1
130	Lambda Sensor	4/D/7, 4a/O/6	161	Wiper Intermittent Relay V Front	3a/E/4
			162	Wiper Intermittent Relay IX Rear	3a/E/2
			163	Wiper Intermittent Speed Control	3a/O/5
			164	Wiper Motor Front	3a/O/6
			165	Wiper Motor Rear	3a/O/6
			166	Wiper Motor LH Front	3b/H/4
			167	Wheel Sensor LH Rear	3b/O/8
			168	Wheel Sensor RH Front	3b/R/1
			169	Wheel Sensor RH Rear	3b/M/1
			170	Exhaust Pressure Transducer	4/G/3

Key to wiring diagrams (continued). Models from 1990 onwards

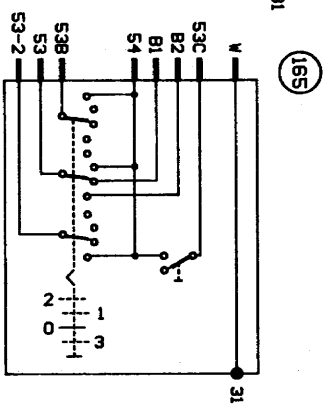
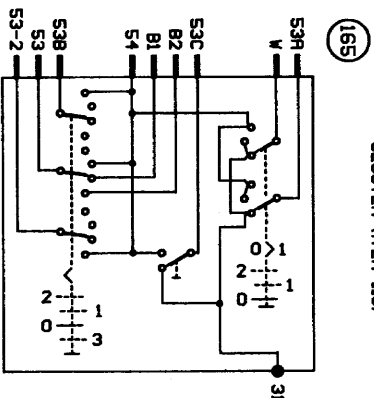


X1	7	7	7	7
	1.	1.	3	5
X2	7	7	7	7
	1.	1.	3	5
Y1	7	7	7	7
	1.	1.	3	5
Y2	7	7	7	7
	1.	1.	3	5

MIRROR CONTROL SWITCH  
INTERNAL CONNECTION DETAILS  
(ITEM 61 ONLY)



KEY TO INSTRUMENT  
CLUSTER (ITEM 116)



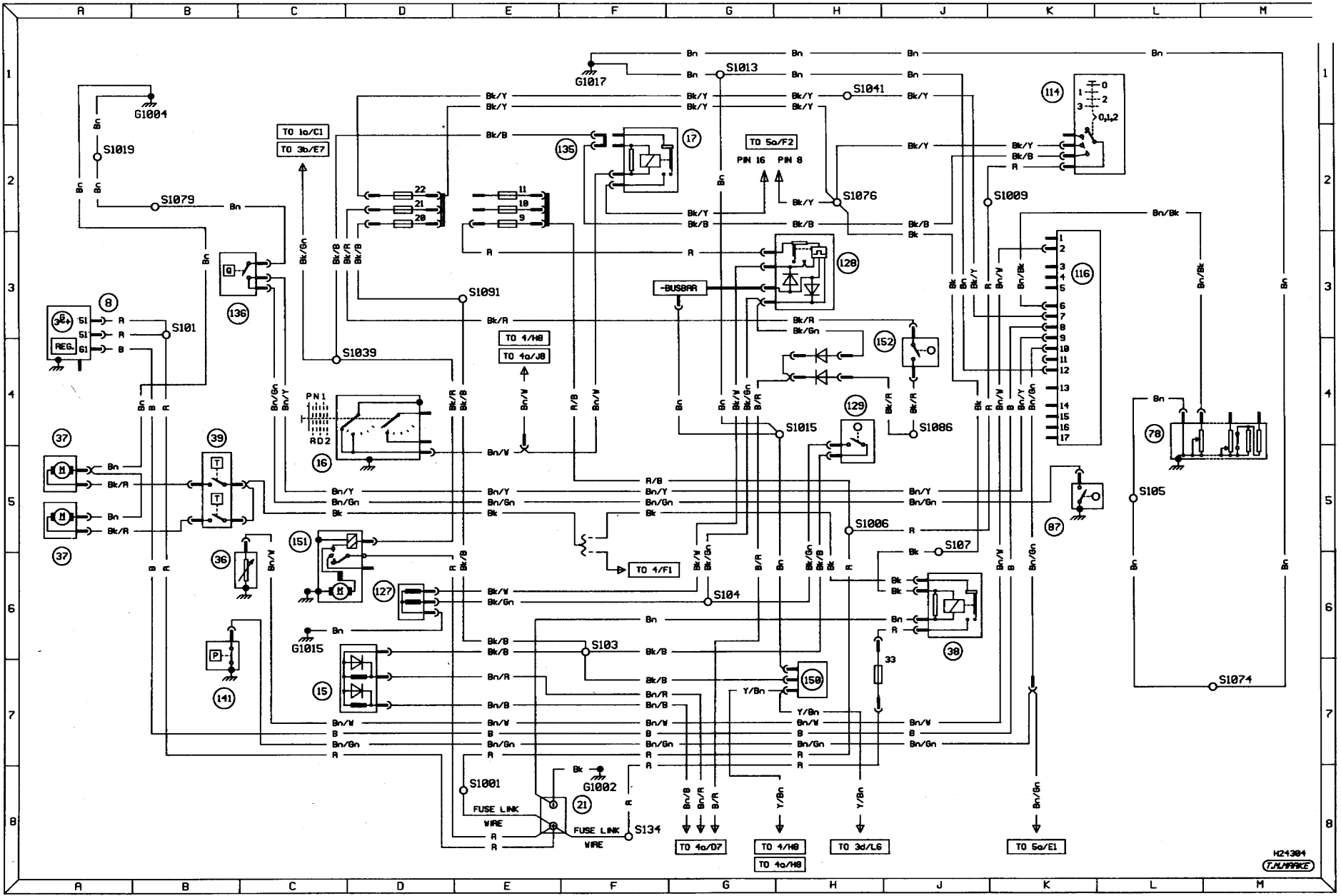


Diagram 1. Starting, charging automatic transmission and warning lamps. Models from 1990 onwards

H24384  
TJL/MPK

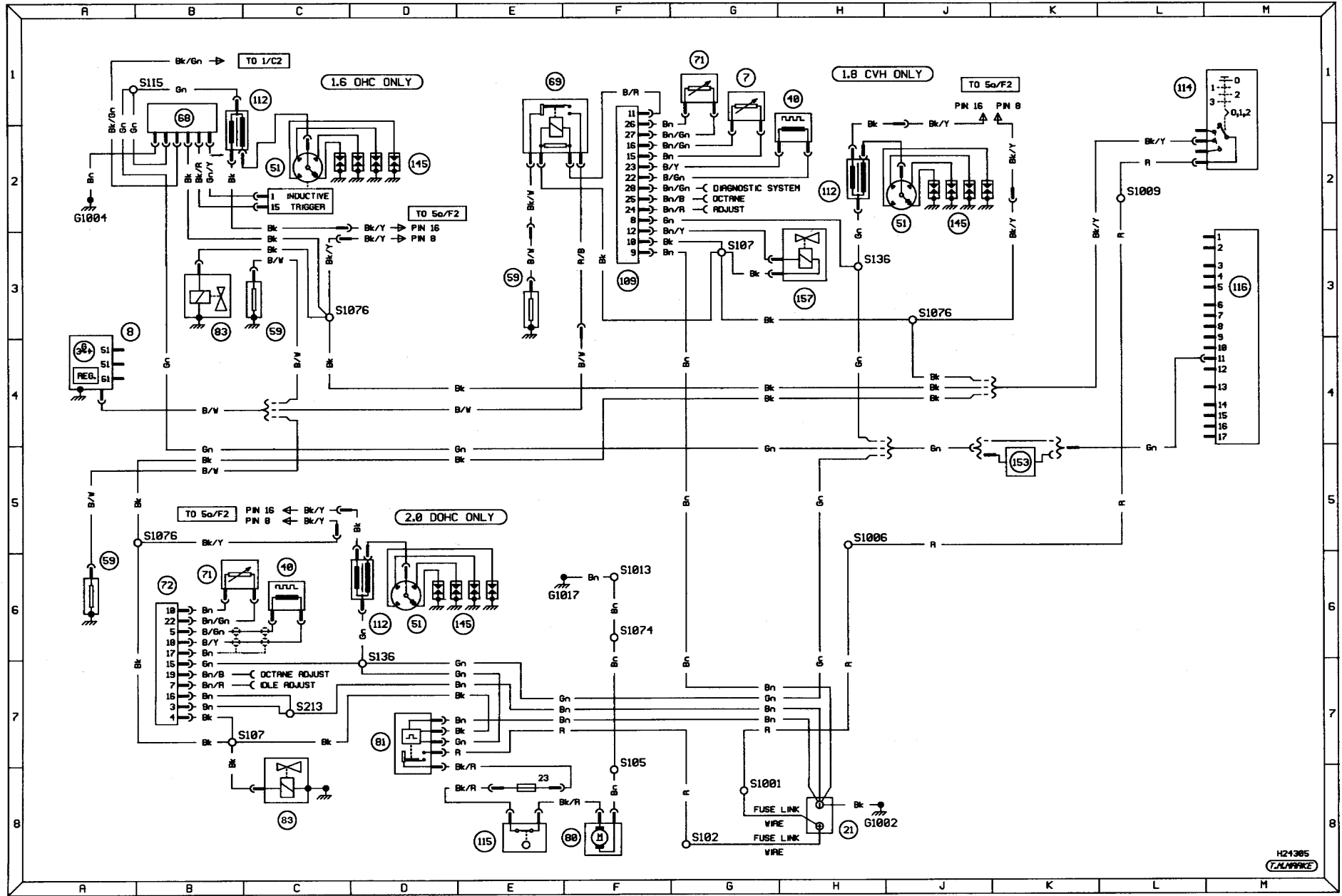


Diagram 1a. Ignition system for all carburettor models. Models from 1990 onwards

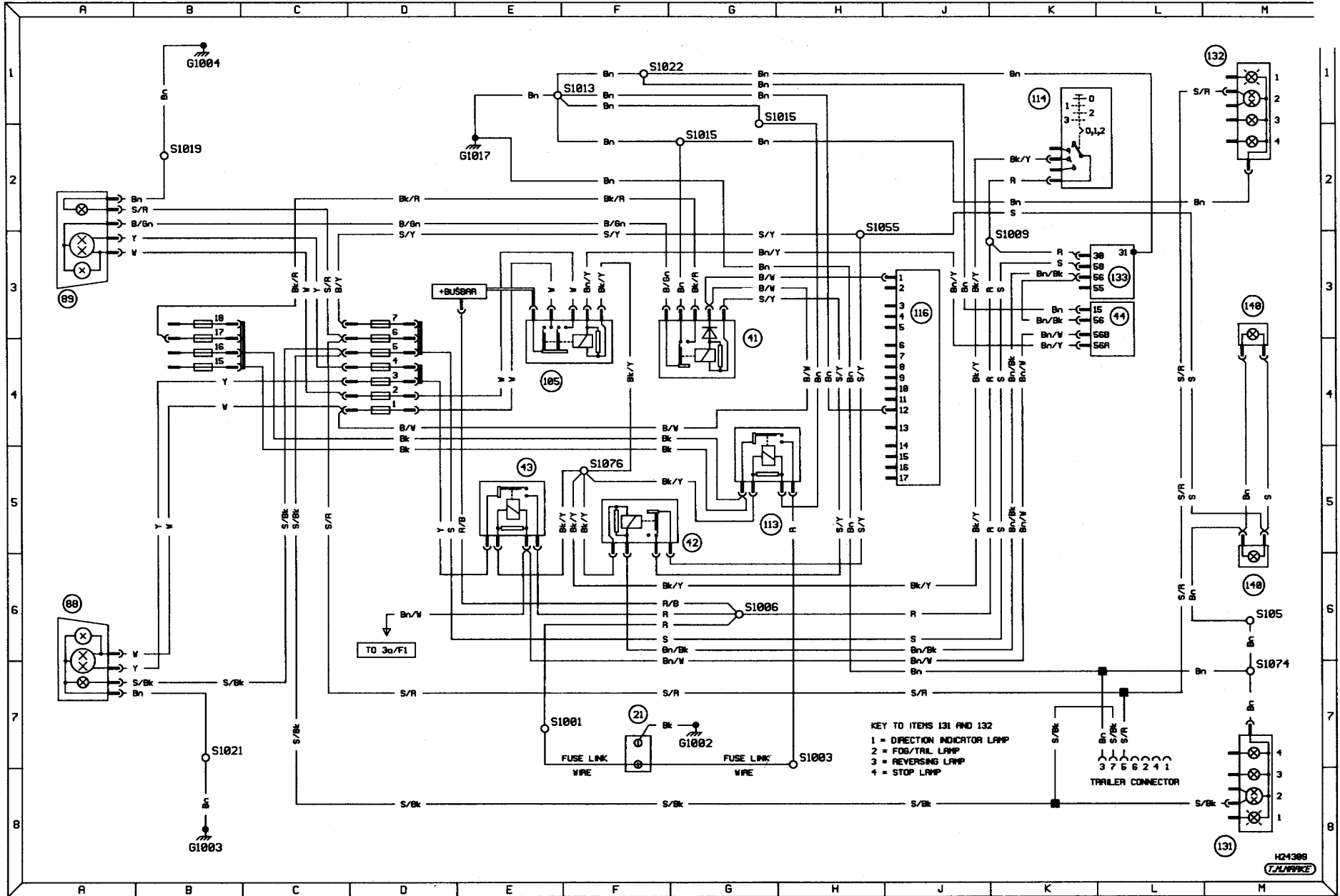
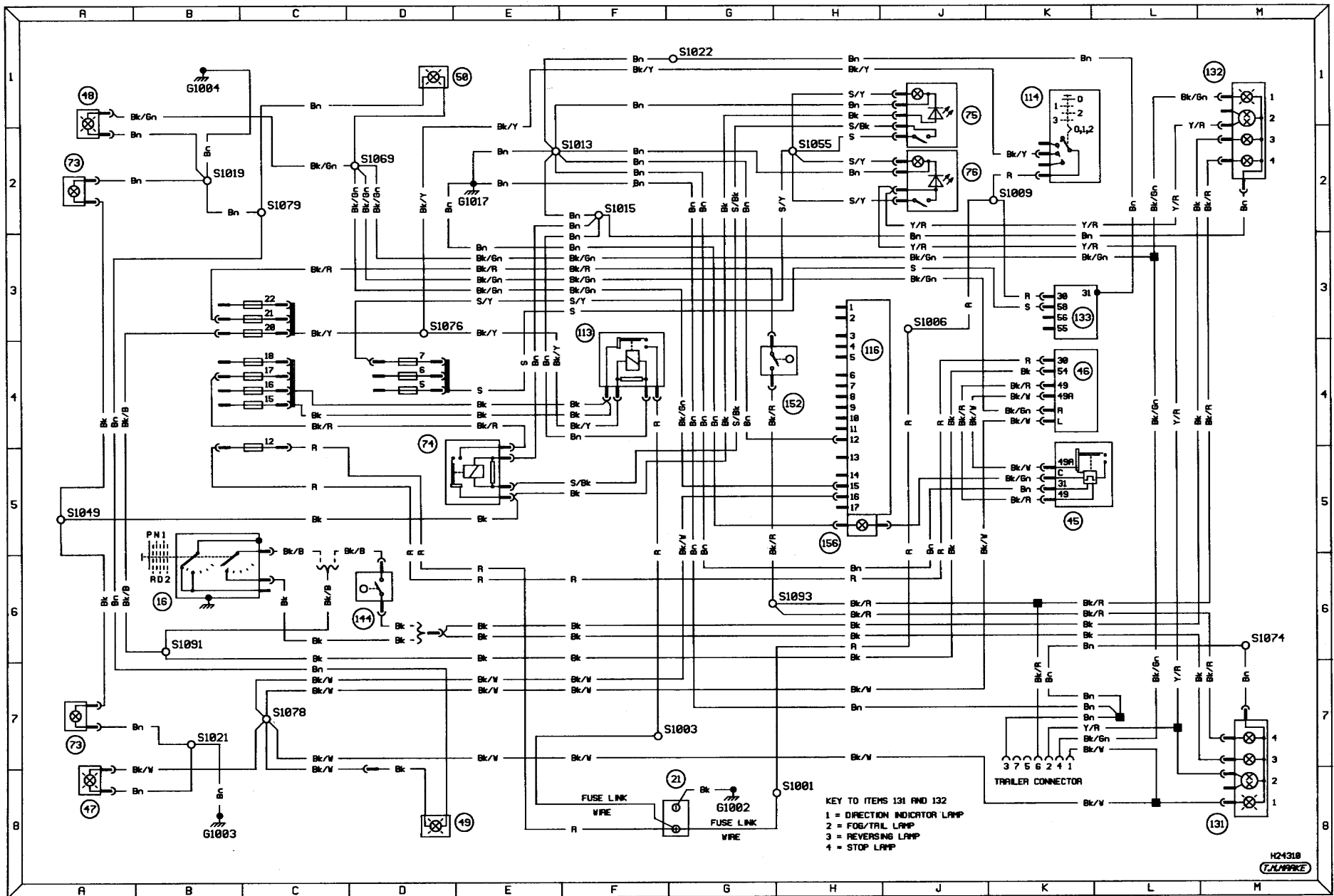


Diagram 2. Exterior lighting - head/sidelamps. Models from 1990 onwards





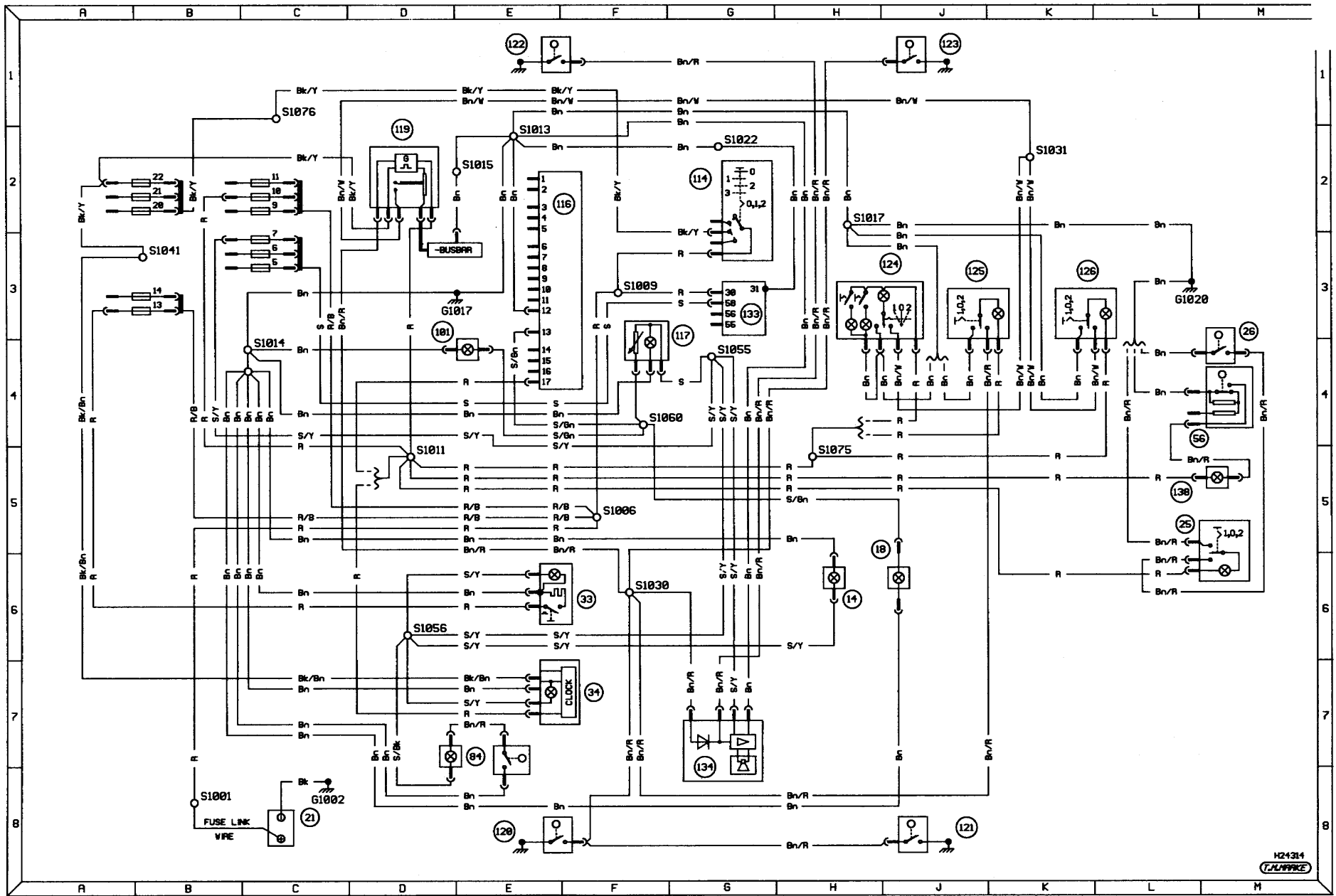


Diagram 2b. Interior lighting. Models from 1990 onwards

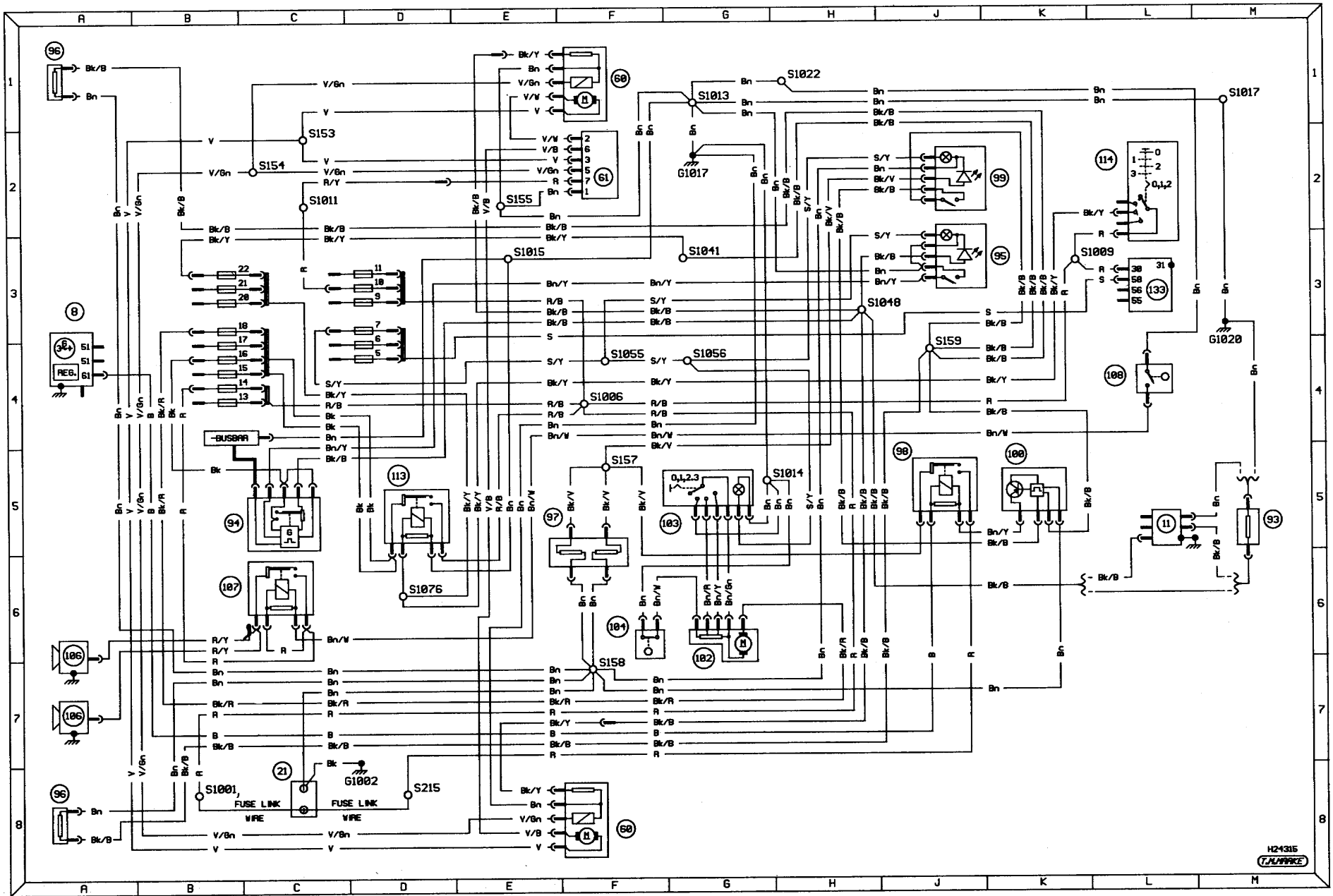


Diagram 3. Ancillary circuits - horn, heater blower, heated mirrors and screens. Models from 1990 onwards

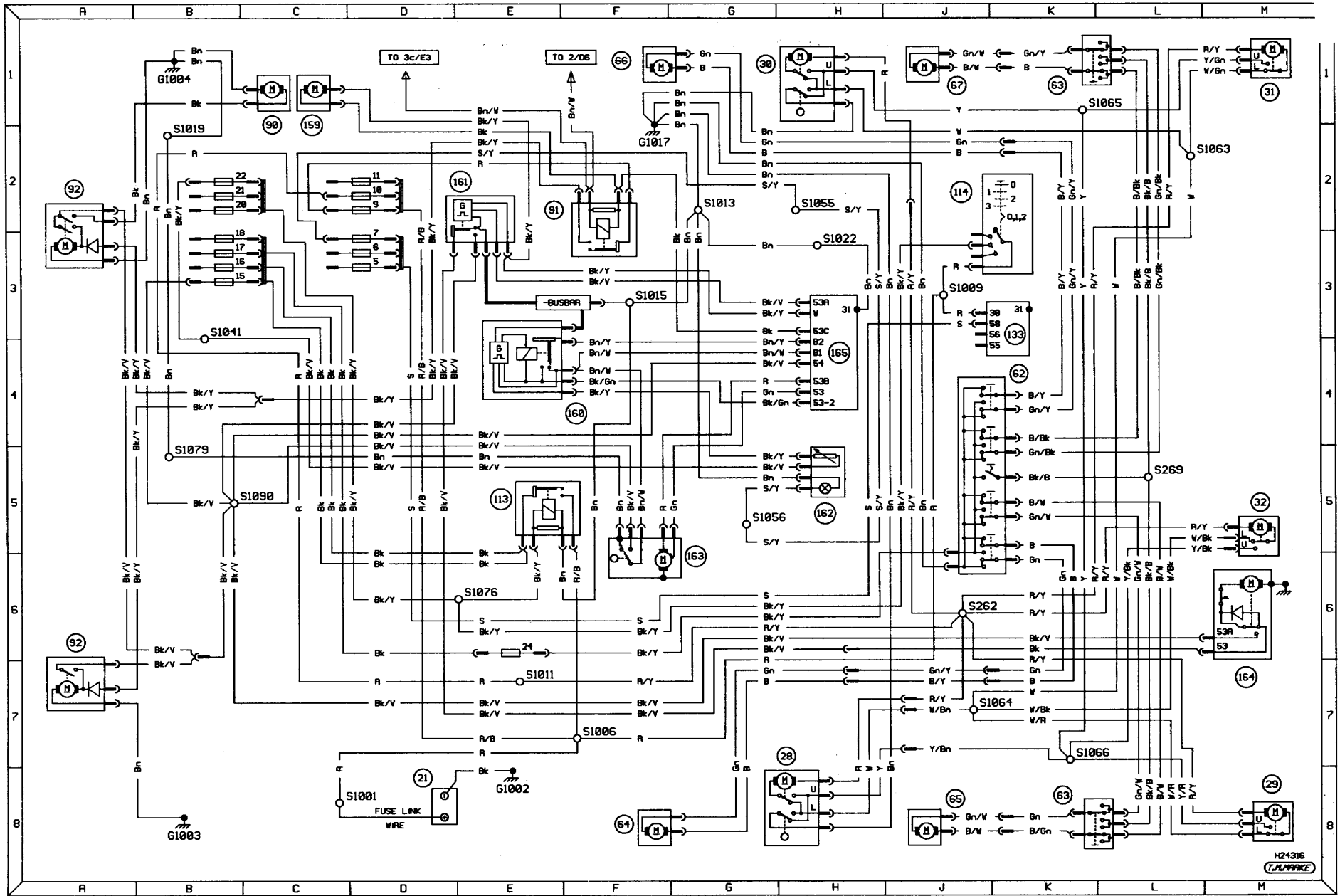


Diagram 3a. Ancillary circuits - wash/wipe, central locking and electric windows. Models from 1990 onwards

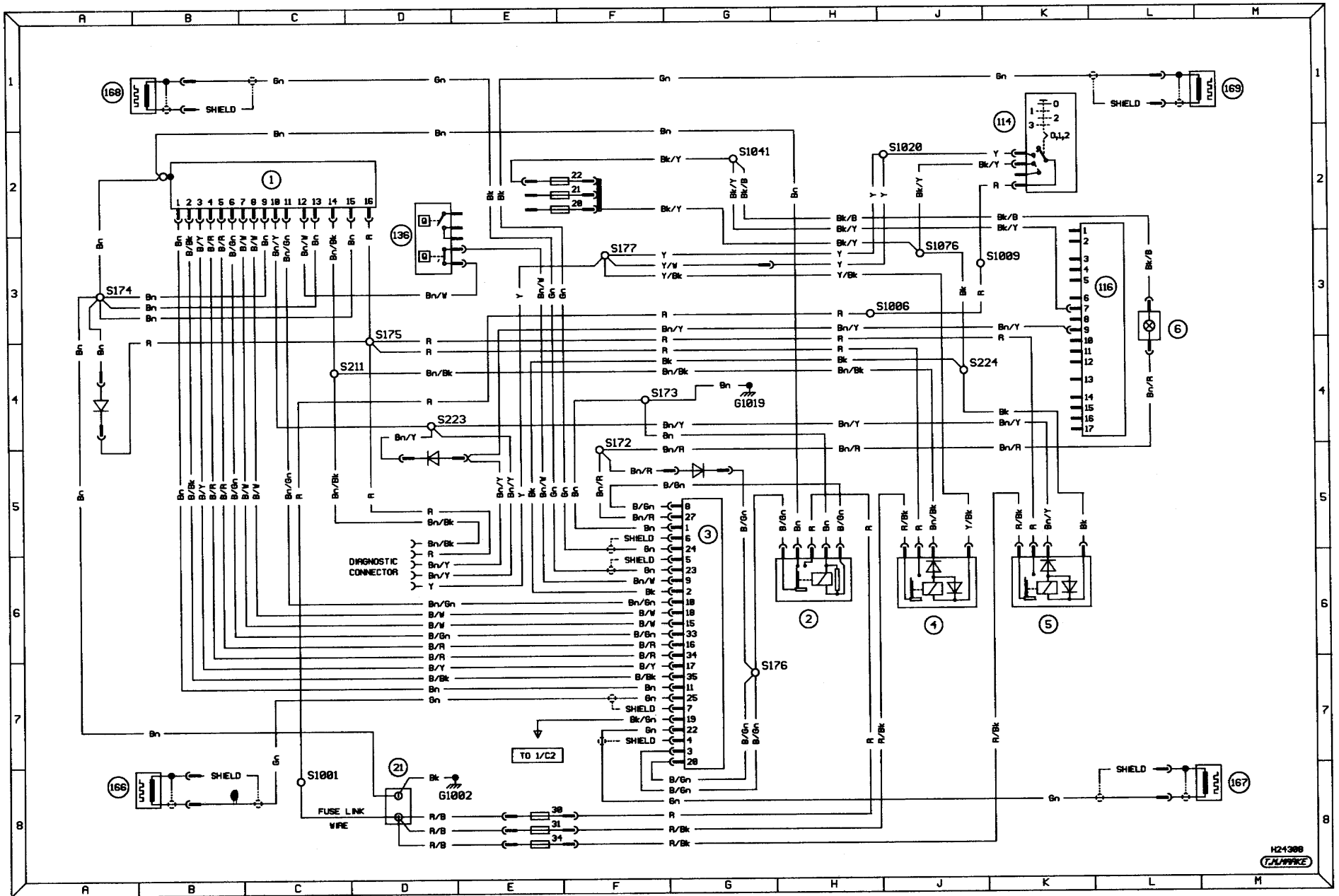


Diagram 3b. Anti-lock braking system. Models from 1990 onwards

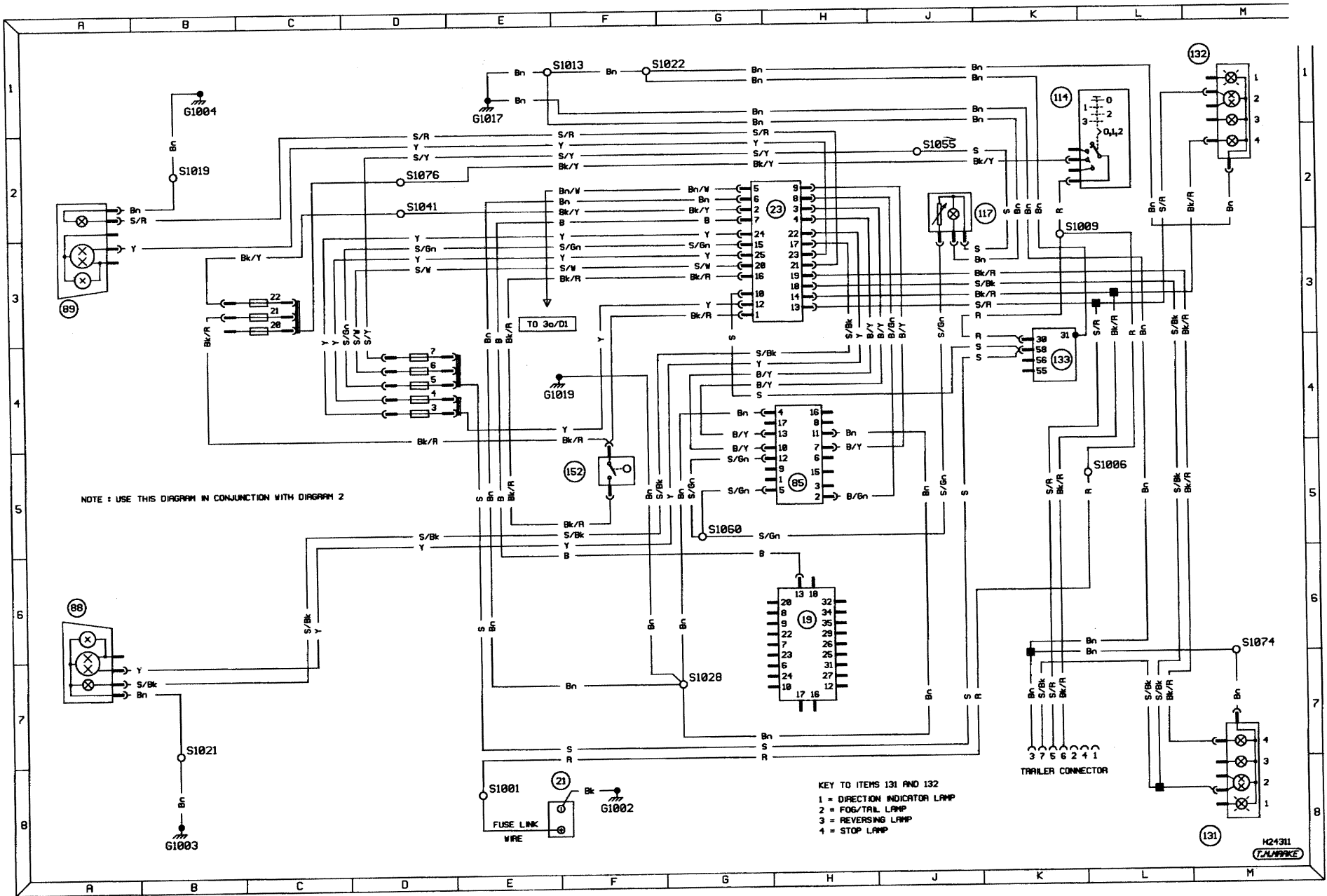


Diagram 3c. Graphic display system - bulb failure. Models from 1990 onwards

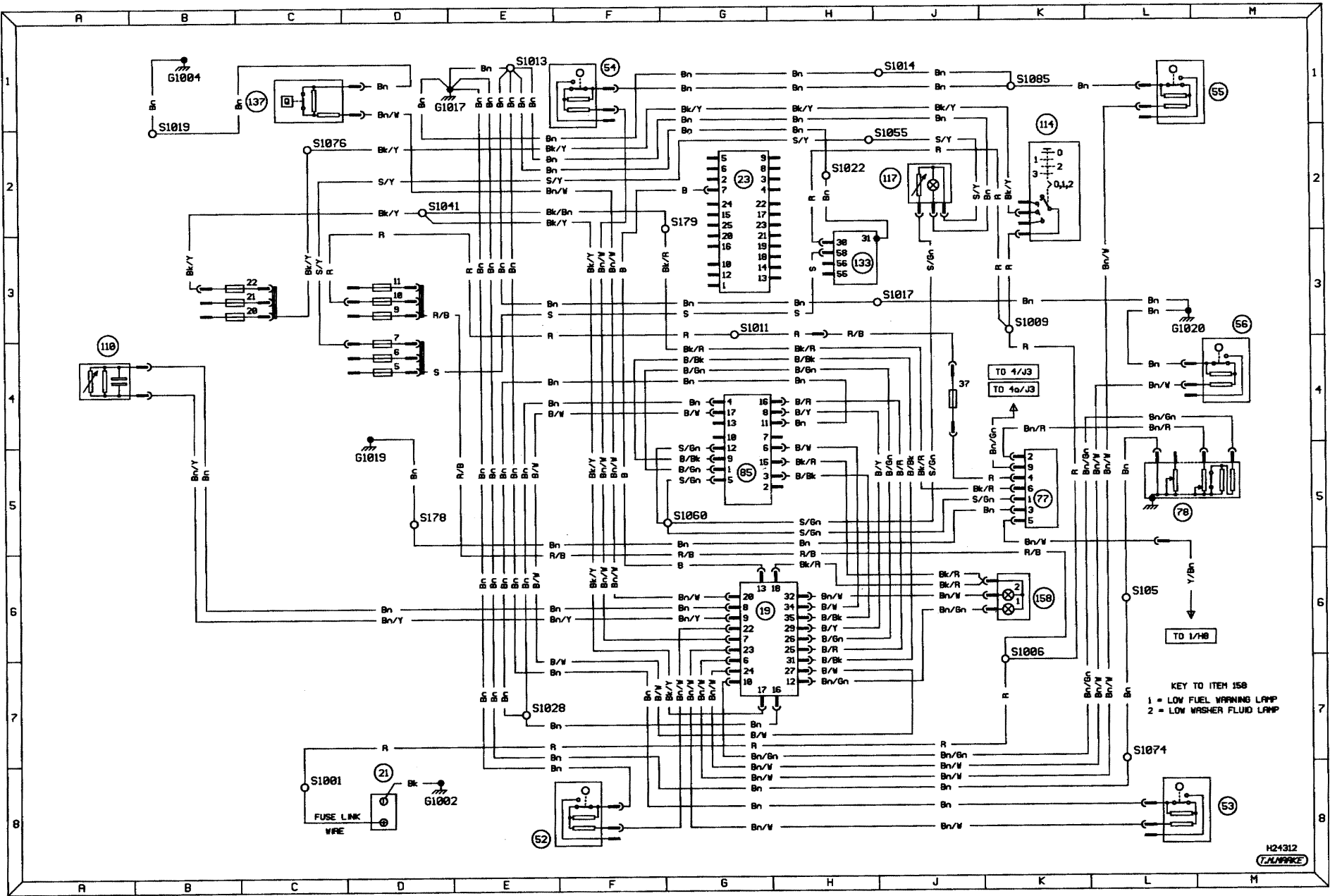


Diagram 3d. Graphic display system - auxiliary warning, door ajar and fuel computer. Models from 1990 onwards

H24312  
T.M.P.A.R.K.E

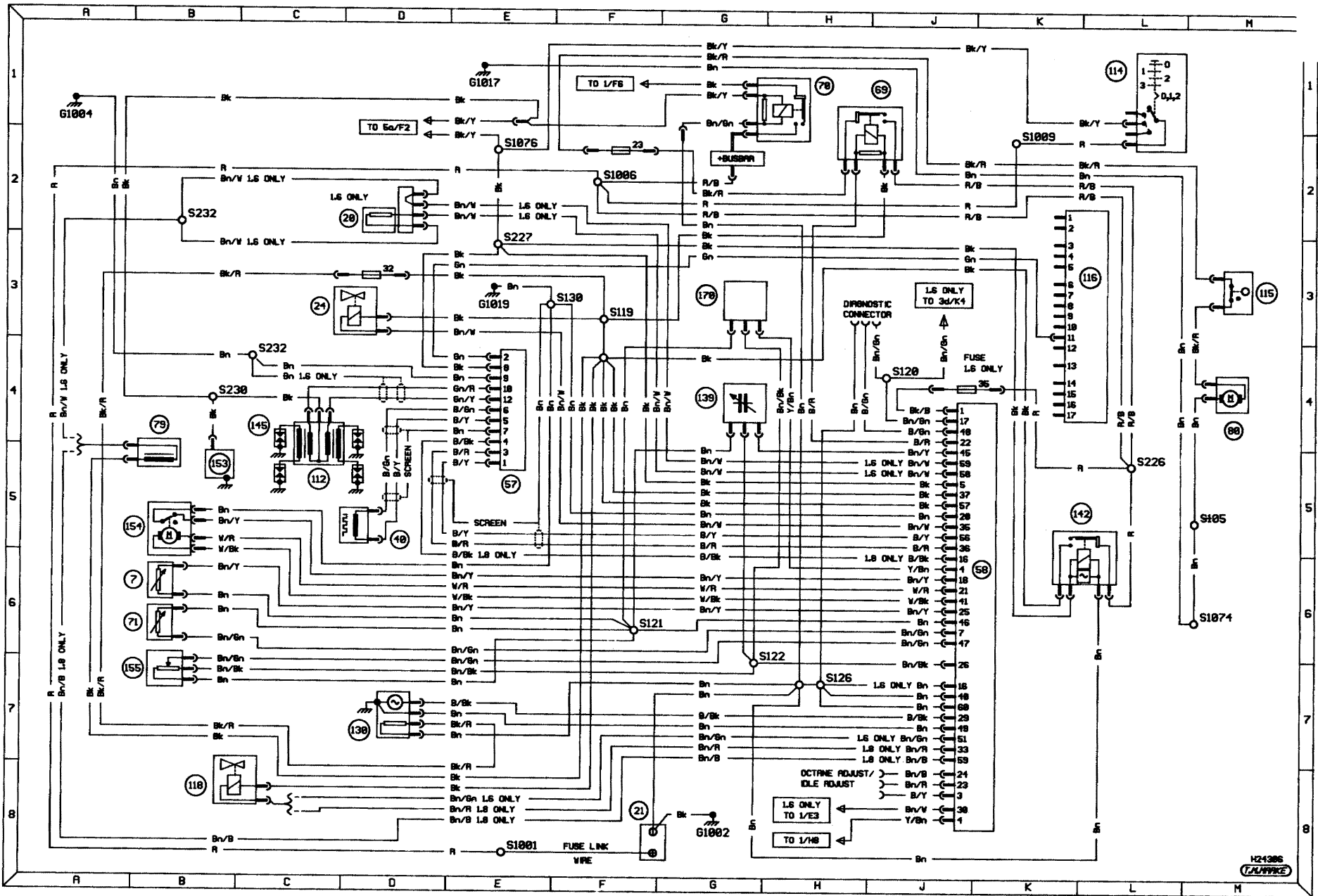


Diagram 4. 1.6 and 1.8 CVH engine Cfi fuel injection and ignition systems. Models from 1990 onwards

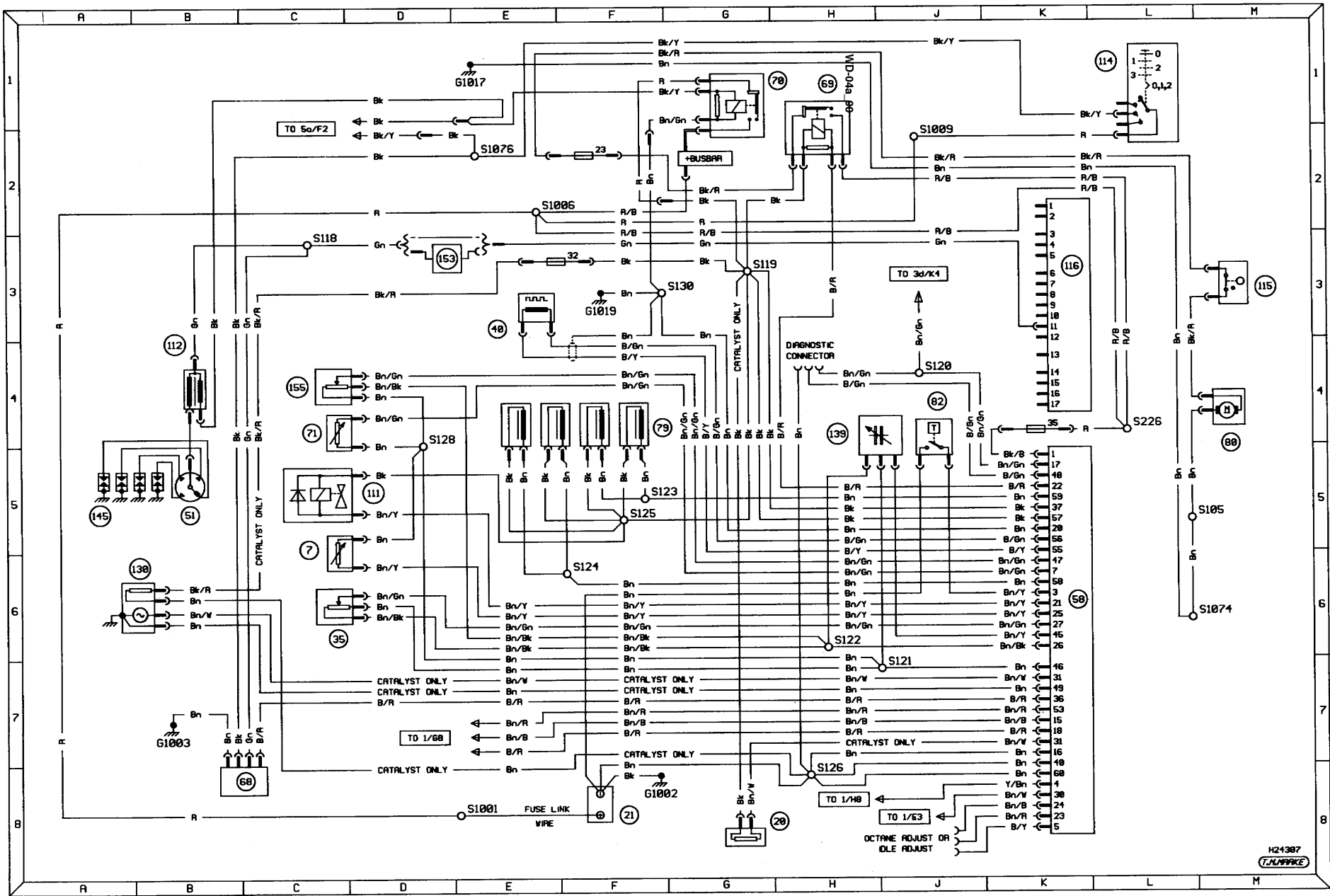


Diagram 4a. 2.0 litre DOHC engine EFI fuel injection and ignition systems. Models from 1990 onwards



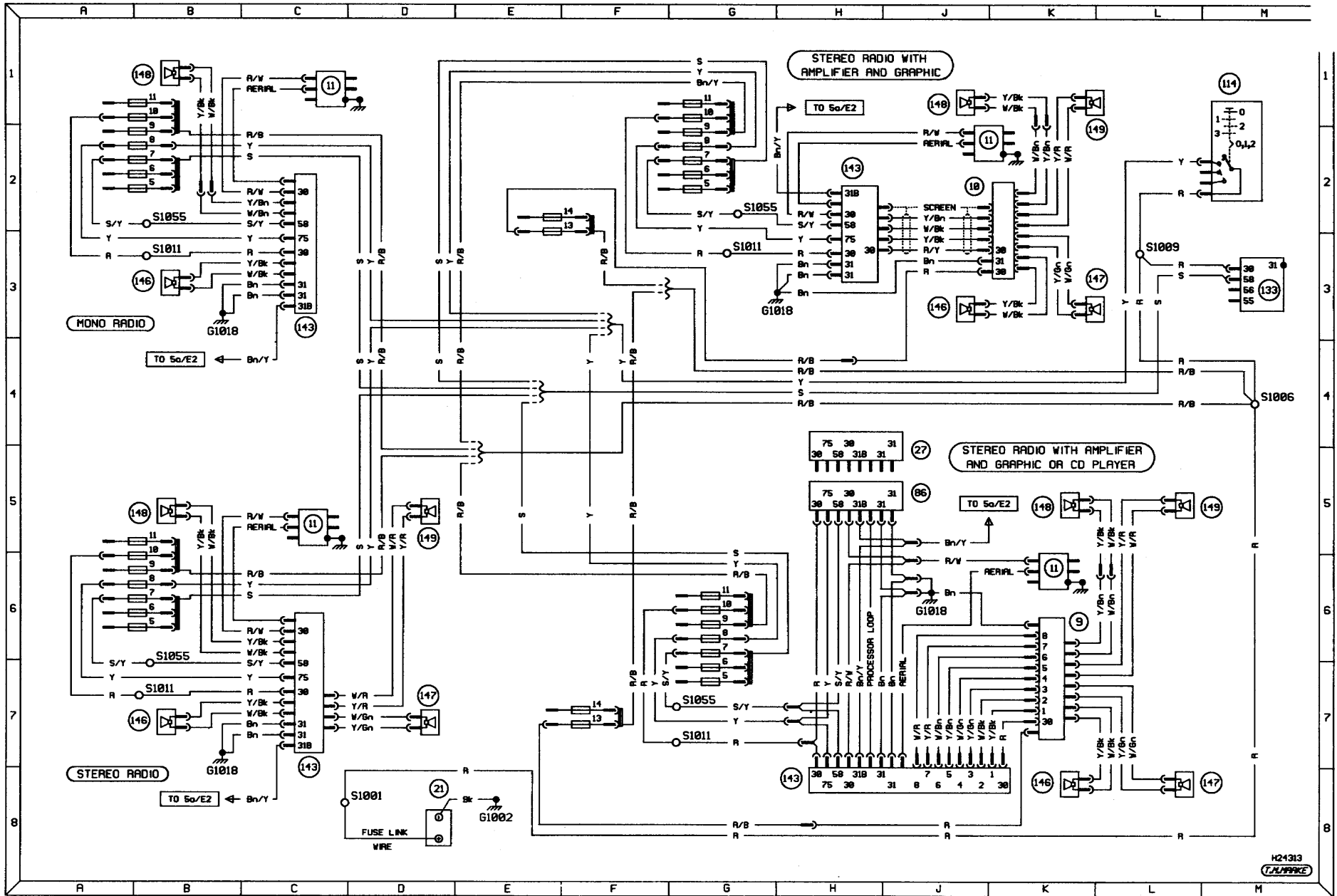


Diagram 5. In-car entertainment. Models from 1990 onwards

H24313  
TALWARKE

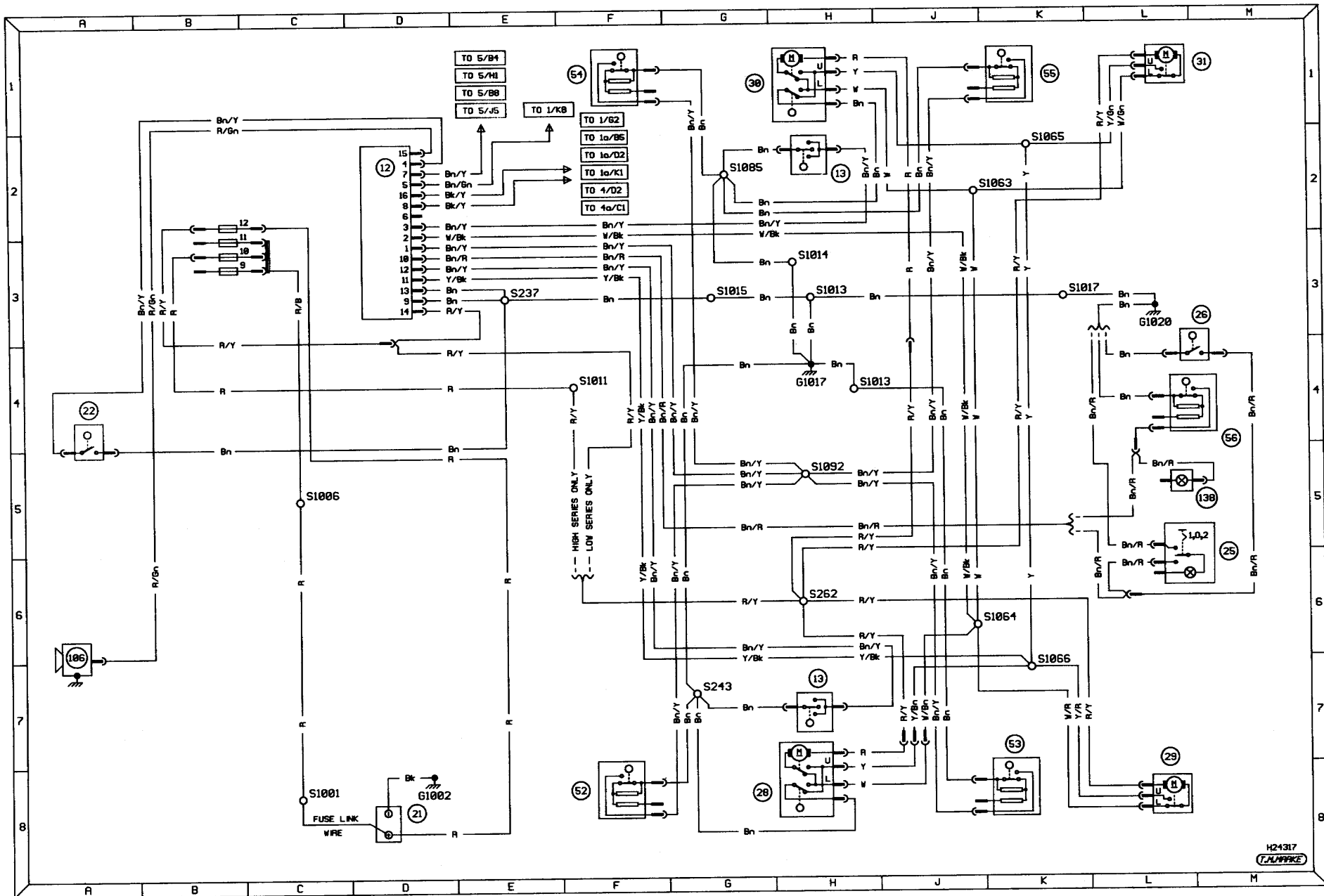


Diagram 5a. Anti-theft alarm. Models from 1990 onwards

# 13•68 Wiring diagrams

## NOTES:

1. All diagrams are divided into numbered circuits depending upon their function e.g Diagram 2 : Exterior Lighting all models.
2. Some components may appear on more than one diagram so their positions are given in coded form in the key below e.g. 2/R1 denotes a component on diagram 2 grid location R1.
3. Feed wires are coloured red (block when switched) and originate from diagram 1. All other diagrams feed from fuse connections or common feeds.
4. Earth wires on all diagrams are coloured brown.
5. The tables below show where common feeds and common earths interconnect between diagrams.
6. Not all items are fitted to all models.
7. Brackets show how the circuit may be connected in more than one way.

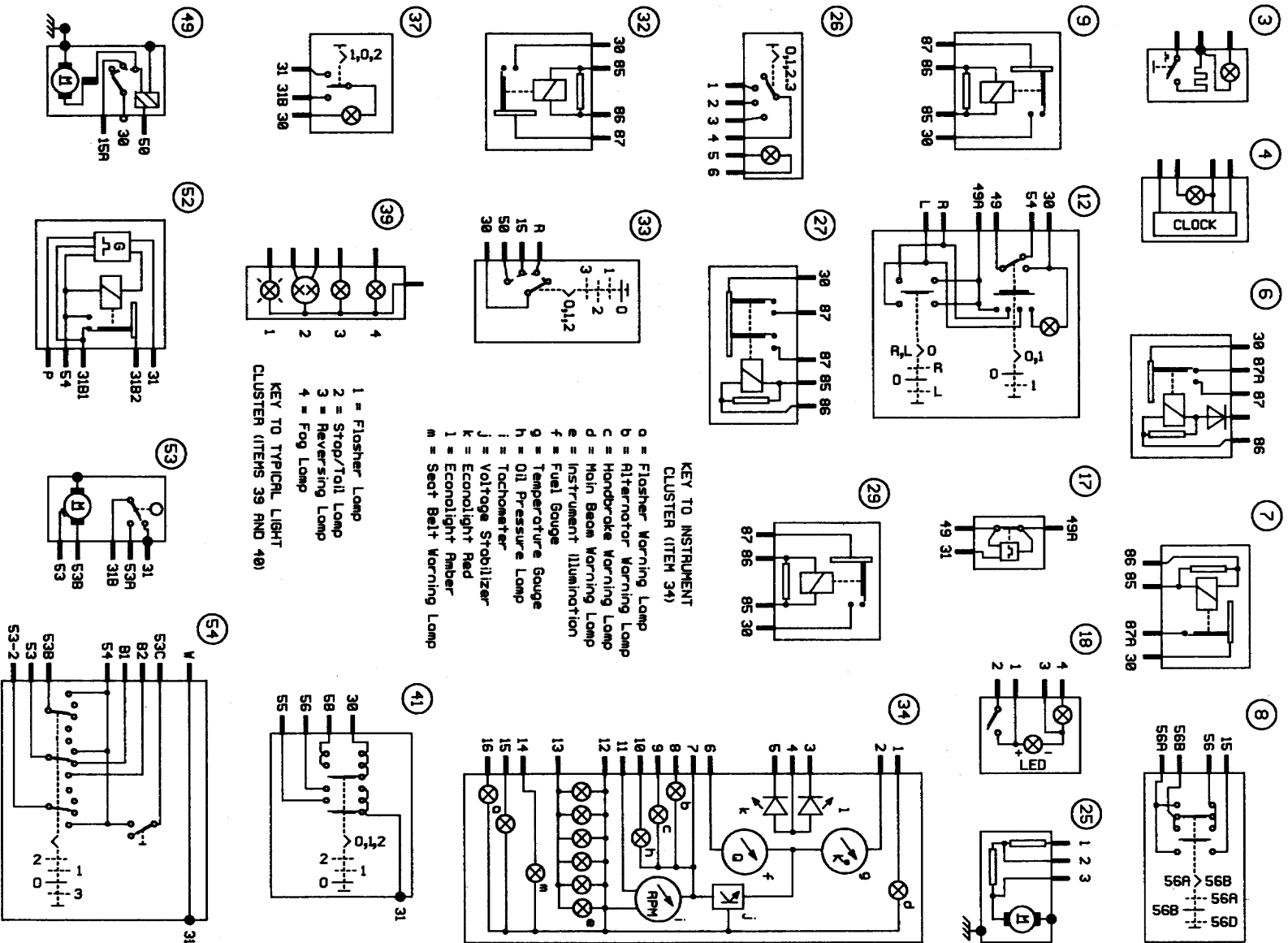
Wire Colours			
B	Blue	R5	Pink
Bk	Black	S	Grey
Bn	Brown	V	Violet
Gn	Green	W	White
R	Red	Y	Yellow

FUSE	RATING	CIRCUIT
1	20A	LH Main Beam, Dim/Dip
2	20A	RH Main Beam
3	10A	LH Dip Beam
4	10A	RH Dip Beam
5	10A	LH Side Lamps
6	10A	RH Side Lamps
7	10A	Instrument Illumination
8	10A	Rear Fog Lamps
9	Free	Free
10	20A	Interior Lamps, Clock
11	Free	Free
12	10A	Hazard Warning Lamps
13	30A	Cigar Lighter
14	30A	Horn
15	30A	Wiper Motor, Washer Pump
16	Free	Free
17	20A	Dim/Dip
18	30A	Heater Blower
19	Free	Free
20	15A	Flasher, Reversing Lamps
21	15A	Stop Lamps
22	10A	Clock, Brake Indicator
23	Free	Free
24	Free	Free

ITEM	DESCRIPTION	DIAGRAM/ GRID REF.	ITEM	DESCRIPTION	DIAGRAM/ GRID REF.
1	Alternator	1/R3	29	Horn Relay C	3/E4
2	Battery	1/E8	30	Horn Switch	3/J4
		2/F8	31	Ignition Coil	1/D5
3	Cigar Lighter	3/D8	32	Ignition Relay I	1/H4
4	Clock	3/G5	33	Ignition Switch	1/K2
5	Coolant Temp. Sensor	1/H5	34	Instrument Cluster	3/L1
6	Dim/Dip Relay II	1/C6			1/K3
7	Dim/Dip Relay B	2/G4			2/H3
8	Dimmer Switch	2/G5	35	Interior Lamp Door Switch LH Rear	3/H8
9	Dip Beam Relay F	2/L3	36	Interior Lamp Door Switch RH Front	3/H1
10	Distributor	2/F5	37	Interior Lamp/Switch	3/K4
11	Electronic Ignition Module	1/D5	38	Licence Plate Lamp	2/H4
12	Flasher/Hazard Switch	1/C5	39	Light Cluster LH Rear	2/M5
13	Flasher Lamp LH	2/L4	40	Light Cluster RH Rear	2/M8
14	Flasher Lamp LH Side Marker	2/R8	41	Light Switch	2/L3
15	Flasher Lamp RH	2/E8			3/K3
16	Flasher Lamp RH Side Marker	2/R1	42	Low Brake Fluid Switch	1/C3
17	Flasher Relay 1	2/E1	43	Oil Pressure Switch	1/B6
18	Foglamp Switch Rear	2/X5	44	Radio Unit	3/J6
19	Fuel Sender	2/J2	45	Reversing Lamp Switch	2/B6
20	Fuel Shut Off Valve	1/L4	46	Spark Plugs	1/E5
21	Handbrake Warning Switch	1/D6	47	Speaker LH Door	3/M8
22	Headlamp Unit LH	1/K5	48	Speaker RH Door	3/M1
23	Headlamp Unit RH	2/R6	49	Starter Motor	1/E6
24	Heater Blower Illumination	2/R3	50	Stop Lamp Switch	2/H4
25	Heater Blower Motor	3/F6	51	Windscreen Washer Pump	3/C1
26	Heater Blower Switch	3/E6	52	Wiper Intermittent Relay X	3/E2
27	High Beam Relay X	3/F5	53	Wiper Motor Front	3/F4
28	Horn	2/F4	54	Wiper Switch	3/K2
		3/R6			

COMMON EARTH POINT	DIAGRAM/ GRID REF.	COMMON FEED	DESCRIPTION	DIAGRAM/ GRID REF.
G1002	1/F8 2/F8 3/D8	S1003	COMMON BATTERY FEED	1/G2 2/H5
G1005	1/F1 2/E2 3/E3	S1004	COMMON BATTERY FEED	1/J2 2/J3 3/J3
G1006	1/J8 2/H8 3/G8	S1012	COMMON IGNITION FEED	1/H1 2/F4

Notes, tables, wire colours and key to wiring diagrams. P100 models from 1988 onwards



Internal connection details. P100 models from 1988 onwards

H24158  
**TRW**

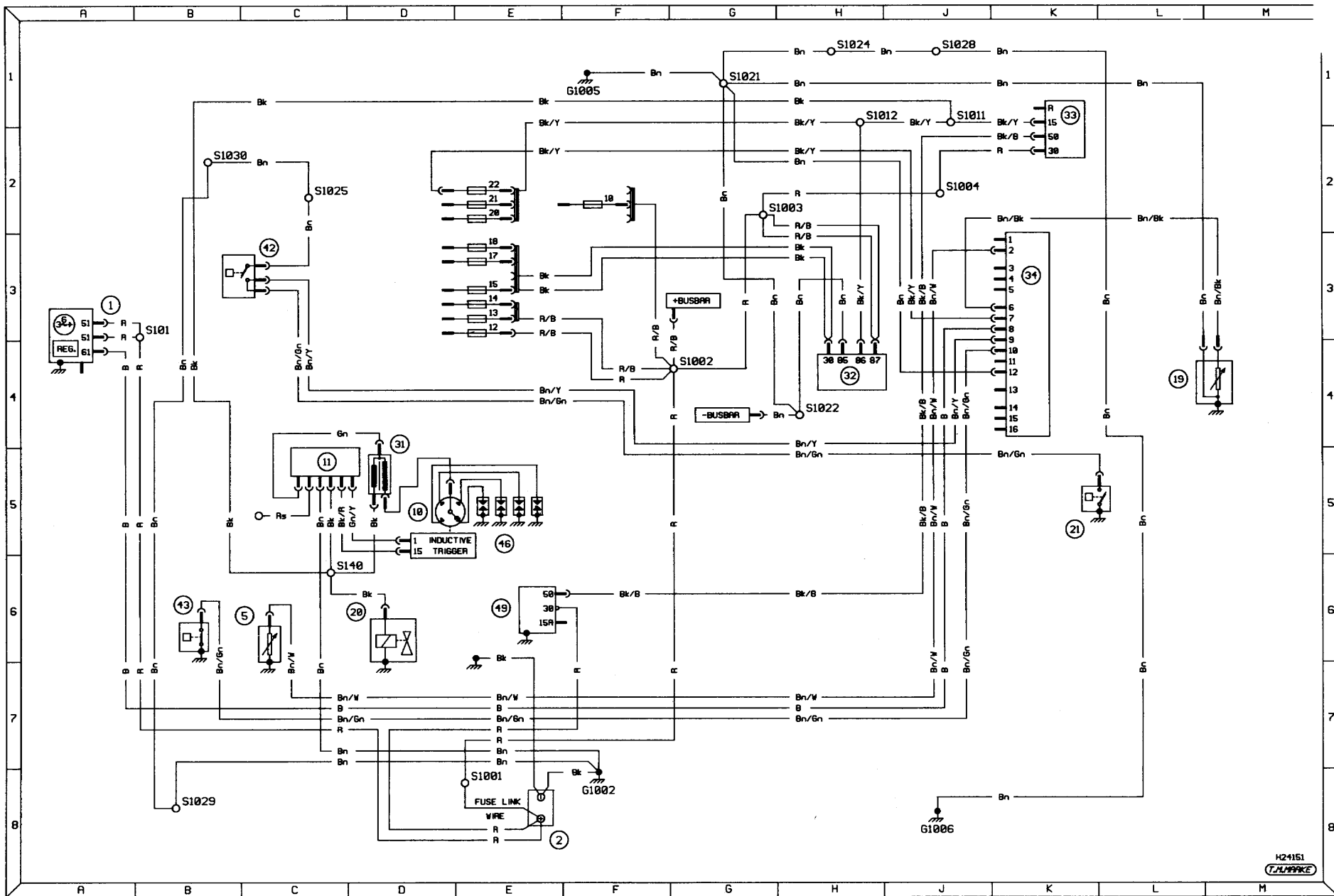


Diagram 1. Starting, charging and ignition. P100 models from 1988 onwards

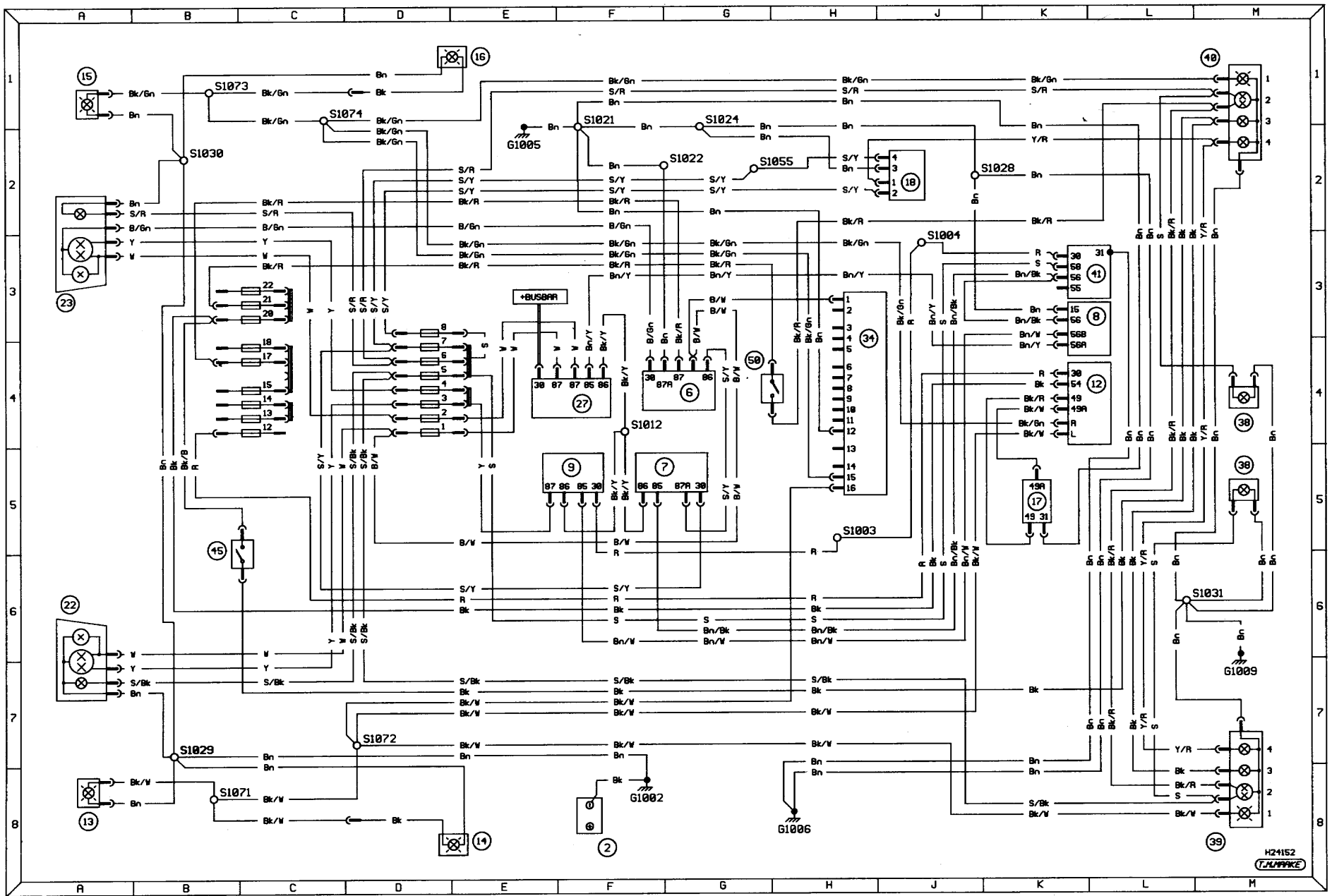


Diagram 2. Exterior lighting. P100 models from 1988 onwards

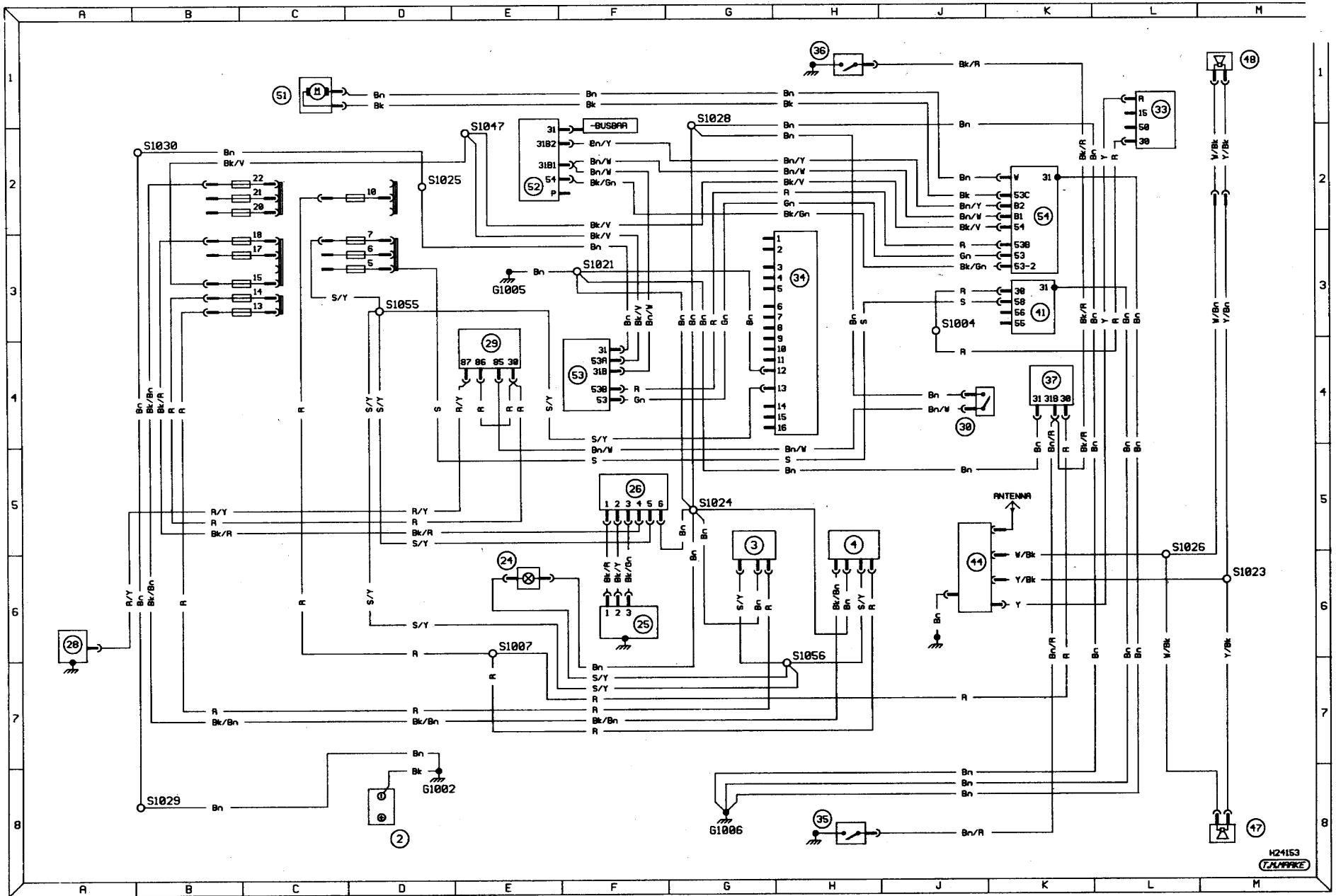


Diagram 3. Ancillary circuits and interior lighting. P100 model from 1988 onwards