



# SYSTEM WIRING DIAGRAMS

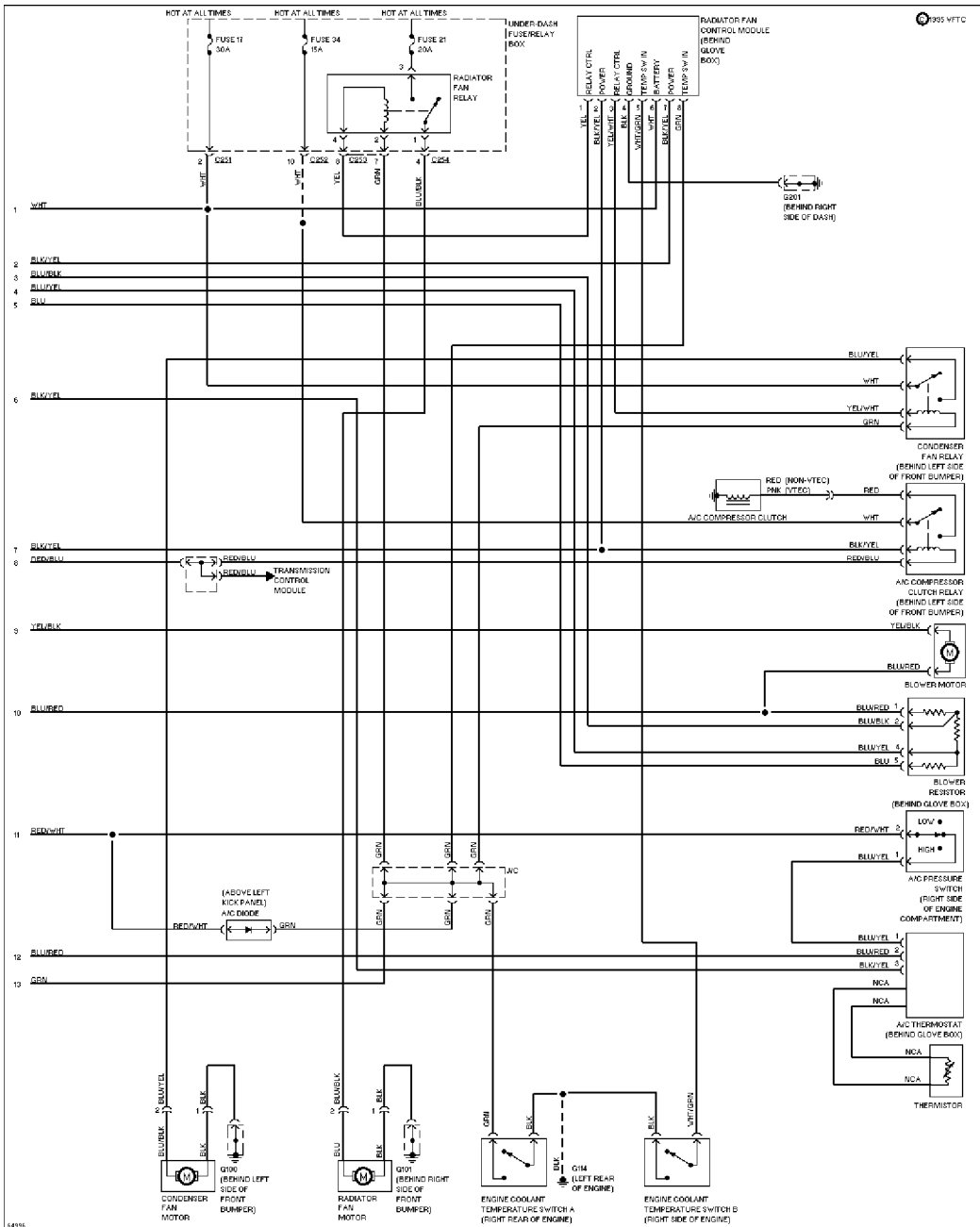
Article Text (p. 2)

1994 Honda Accord

For

Copyright © 1998 Mitchell International

Wednesday, February 10, 1999 09:13AM



A/C Circuit (2 of 2)

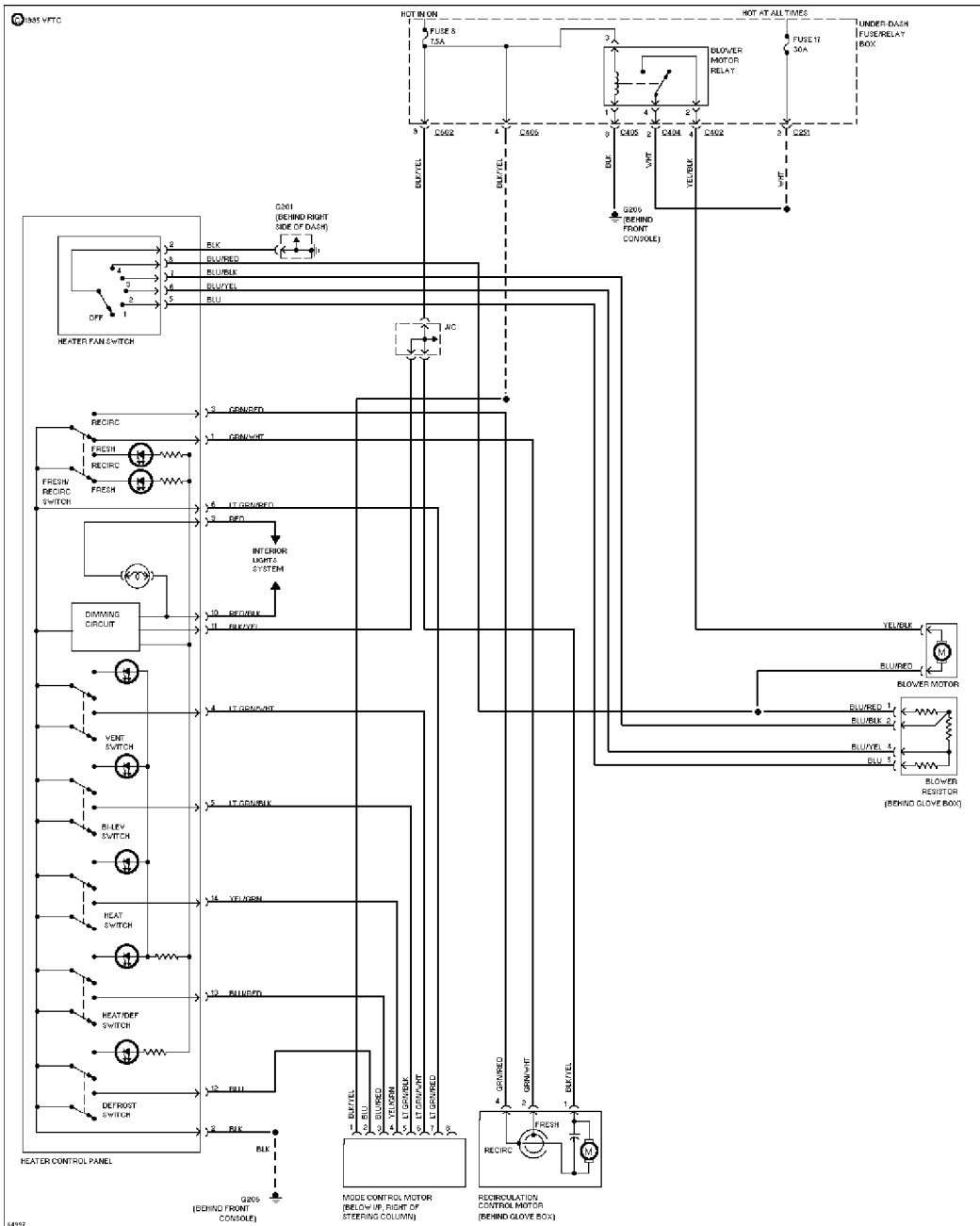
# SYSTEM WIRING DIAGRAMS

Article Text (p. 3)

1994 Honda Accord

For

Copyright © 1998 Mitchell International  
Wednesday, February 10, 1999 09:13AM



Heater Circuit

## ANTI-LOCK BRAKES



# SYSTEM WIRING DIAGRAMS

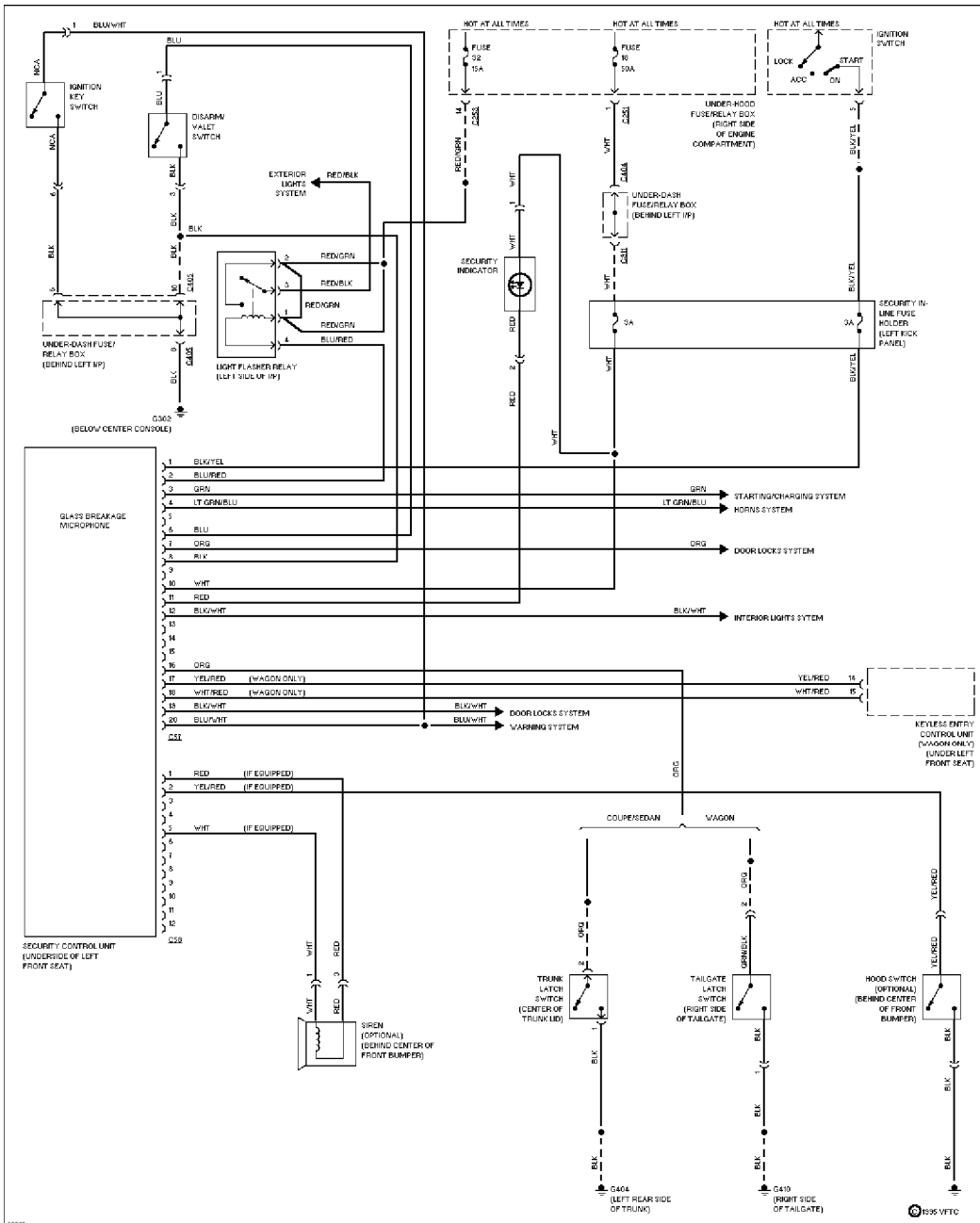
Article Text (p. 5)

1994 Honda Accord

For

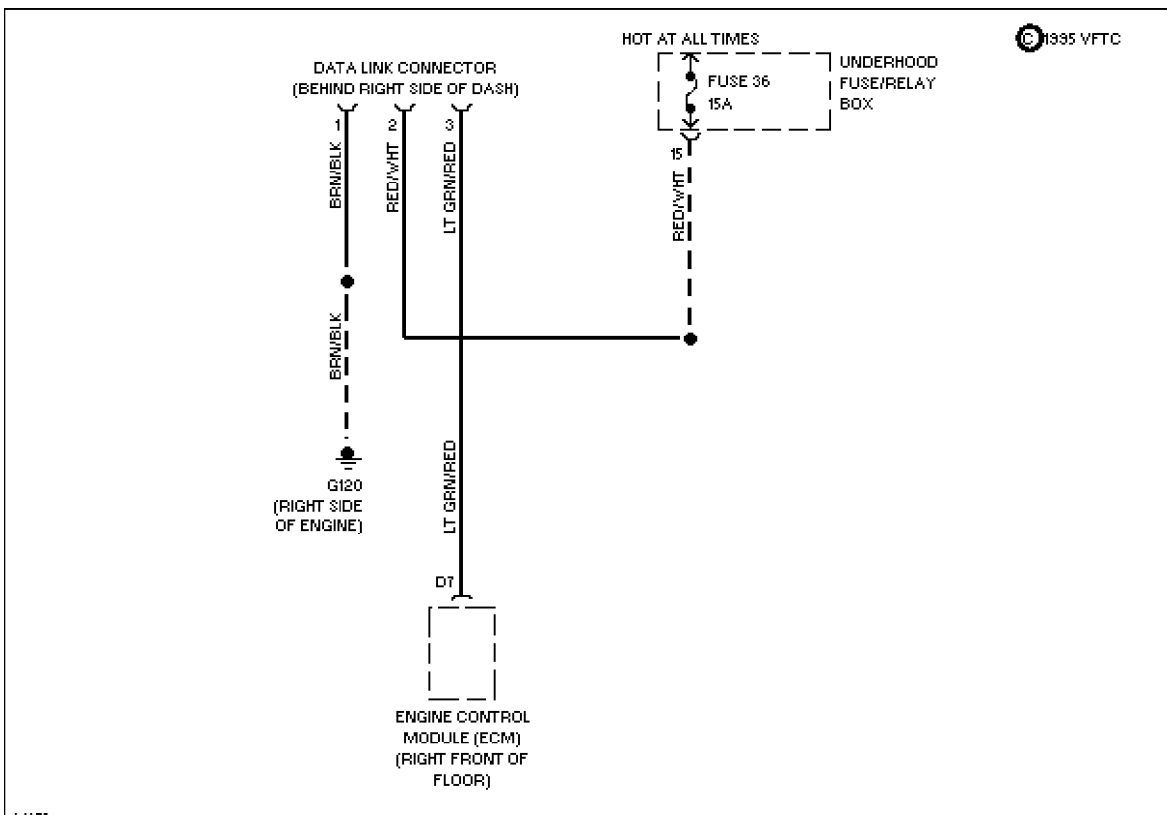
Copyright © 1998 Mitchell International

Wednesday, February 10, 1999 09:13AM



Anti-theft Circuit

## COMPUTER DATA LINES



Data Link Connector Circuit



# SYSTEM WIRING DIAGRAMS

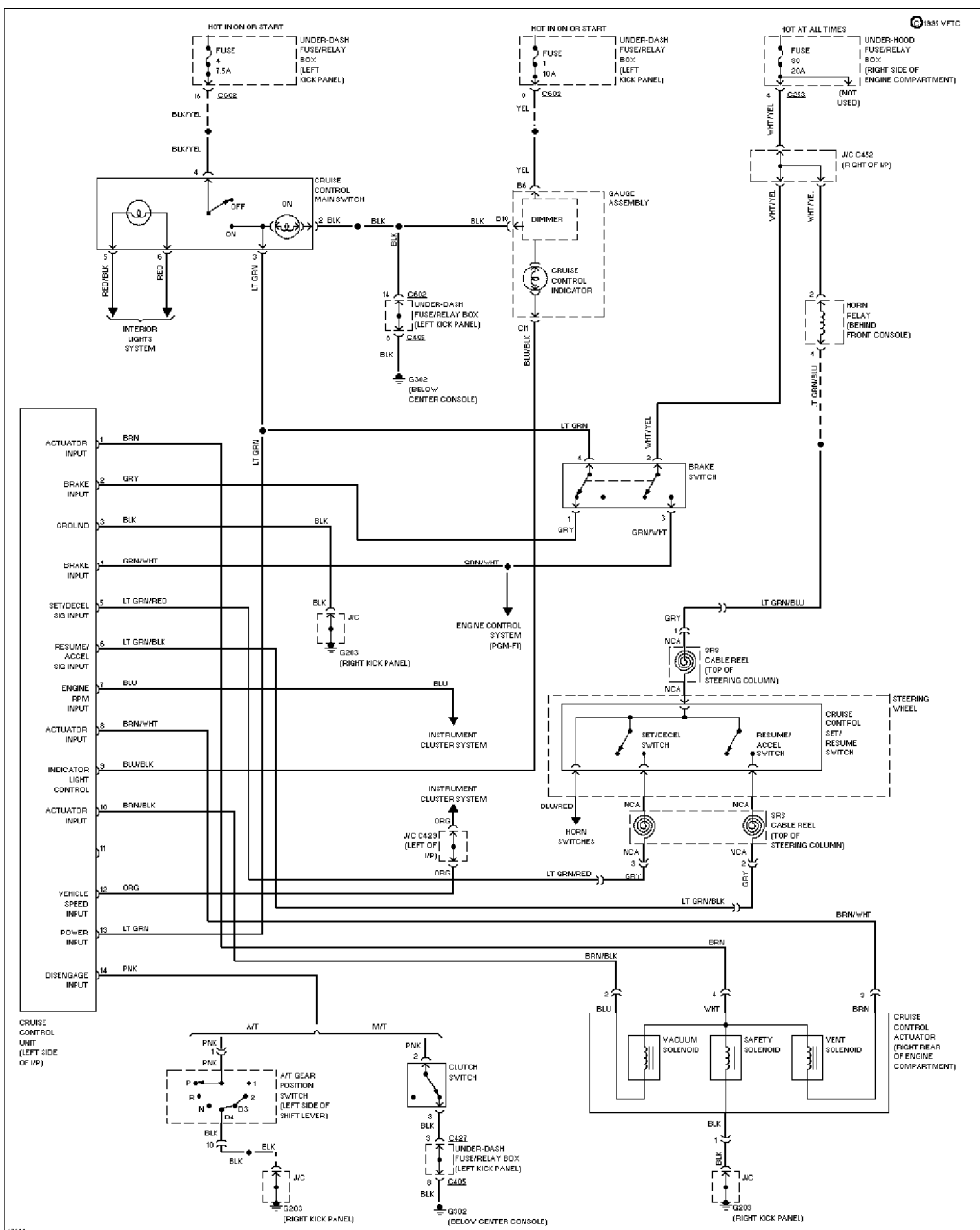
Article Text (p. 7)

1994 Honda Accord

For

Copyright © 1998 Mitchell International

Wednesday, February 10, 1999 09:14AM



Cruise Control Circuit

## DEFOGGERS

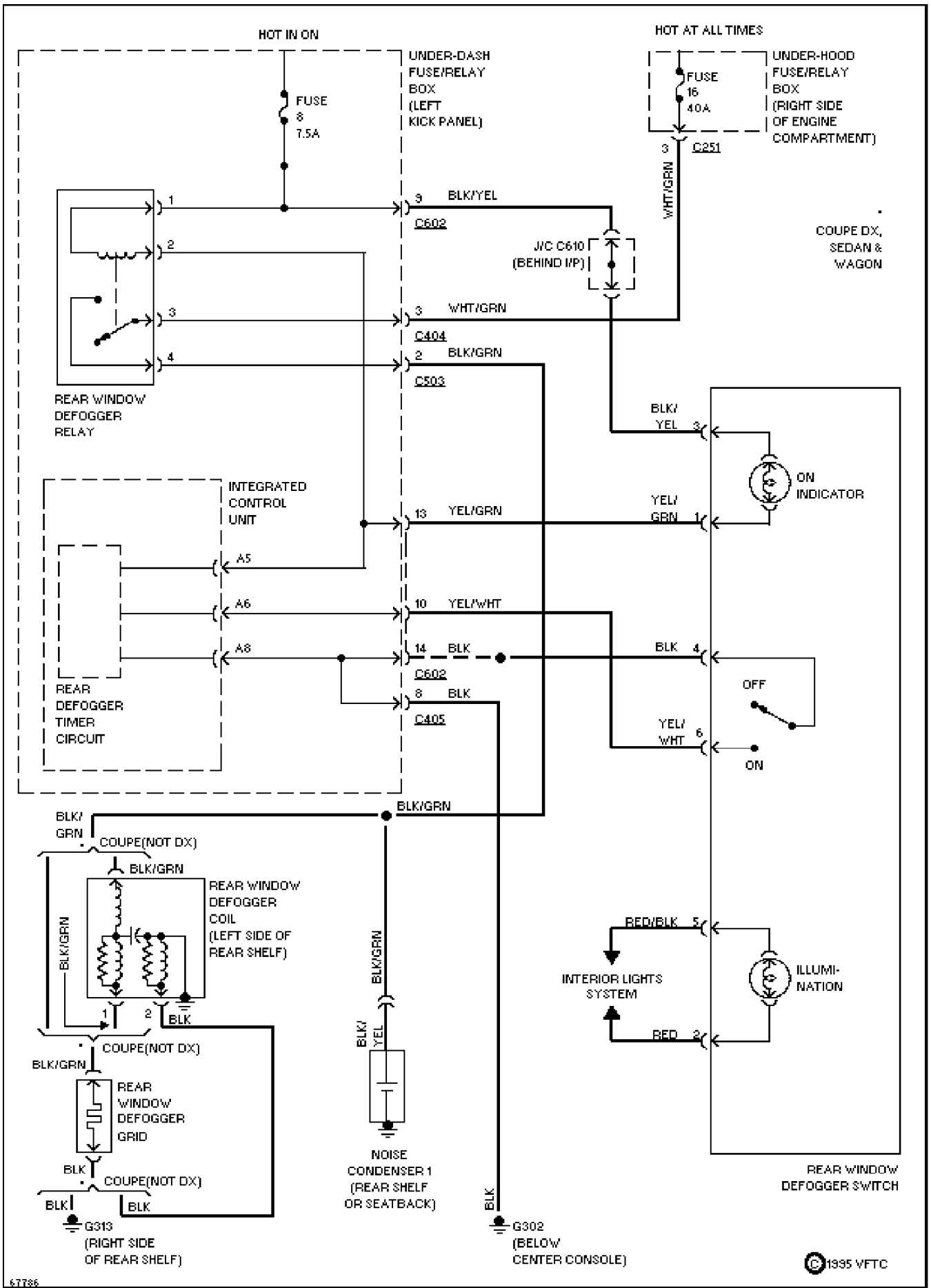
# SYSTEM WIRING DIAGRAMS

Article Text (p. 8)

1994 Honda Accord

For

Copyright © 1998 Mitchell International  
 Wednesday, February 10, 1999 09:14AM



Defogger Circuit

## ENGINE PERFORMANCE

2.2L



# SYSTEM WIRING DIAGRAMS

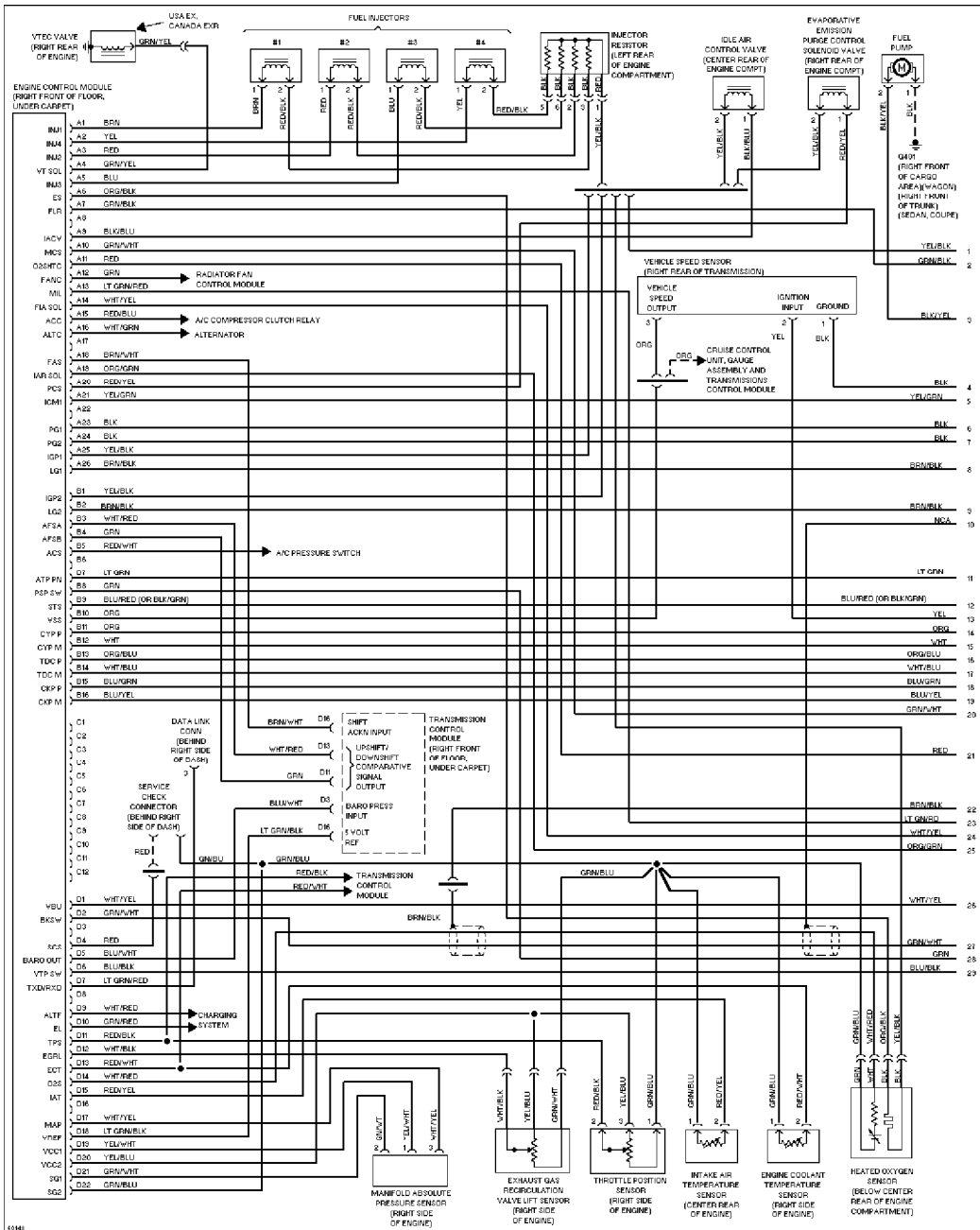
Article Text (p. 9)

1994 Honda Accord

For

Copyright © 1998 Mitchell International

Wednesday, February 10, 1999 09:14AM



2.2L, Engine Performance Circuits (1 of 2)

# SYSTEM WIRING DIAGRAMS

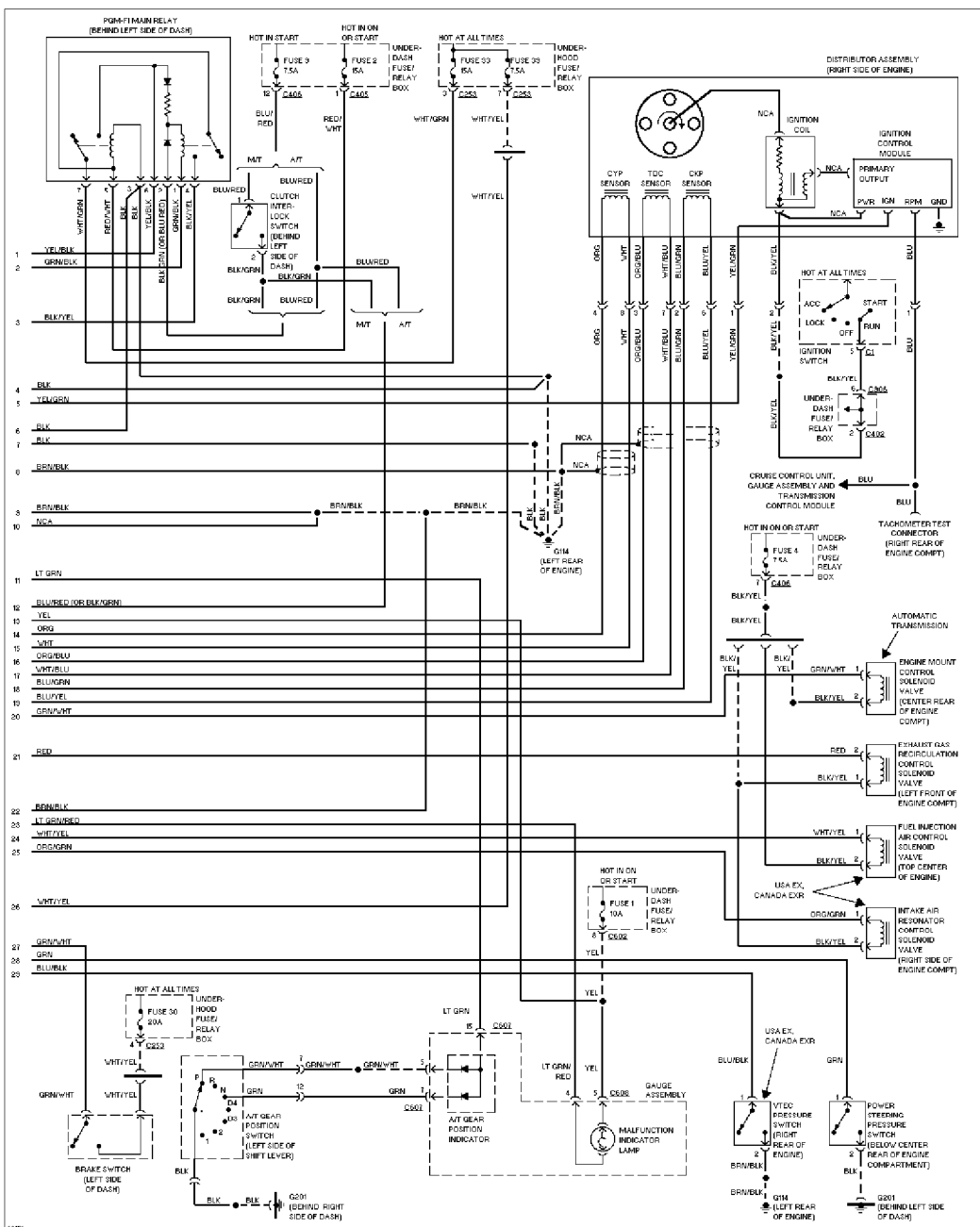
Article Text (p. 10)

1994 Honda Accord

For

Copyright © 1998 Mitchell International

Wednesday, February 10, 1999 09:14AM



2.2L, Engine Performance Circuits (2 of 2)

## EXTERIOR LIGHTS

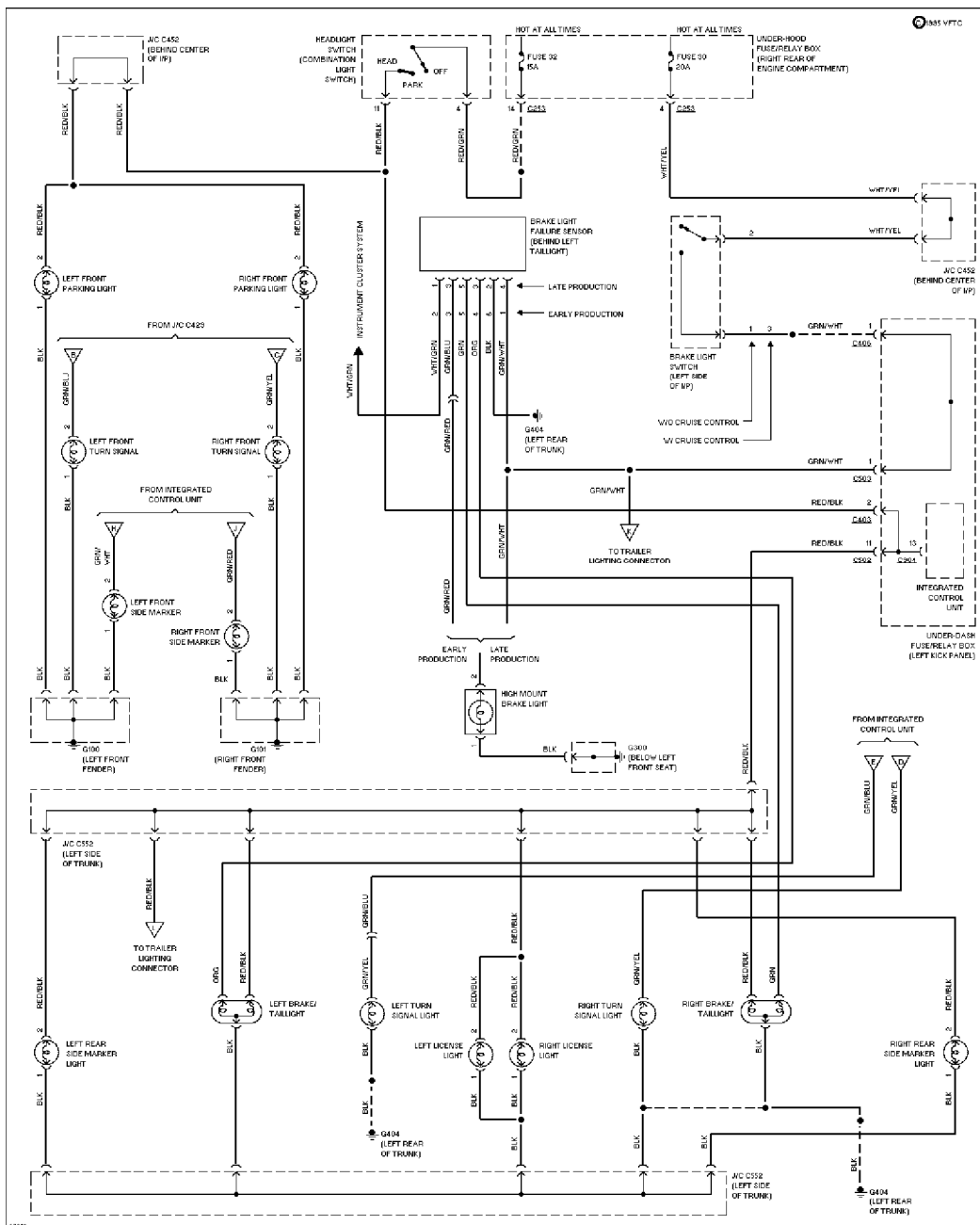
# SYSTEM WIRING DIAGRAMS

Article Text (p. 11)

1994 Honda Accord

For

Copyright © 1998 Mitchell International  
Wednesday, February 10, 1999 09:14AM



Exterior Light Circuit, Coupe & Sedan (1 of 2)

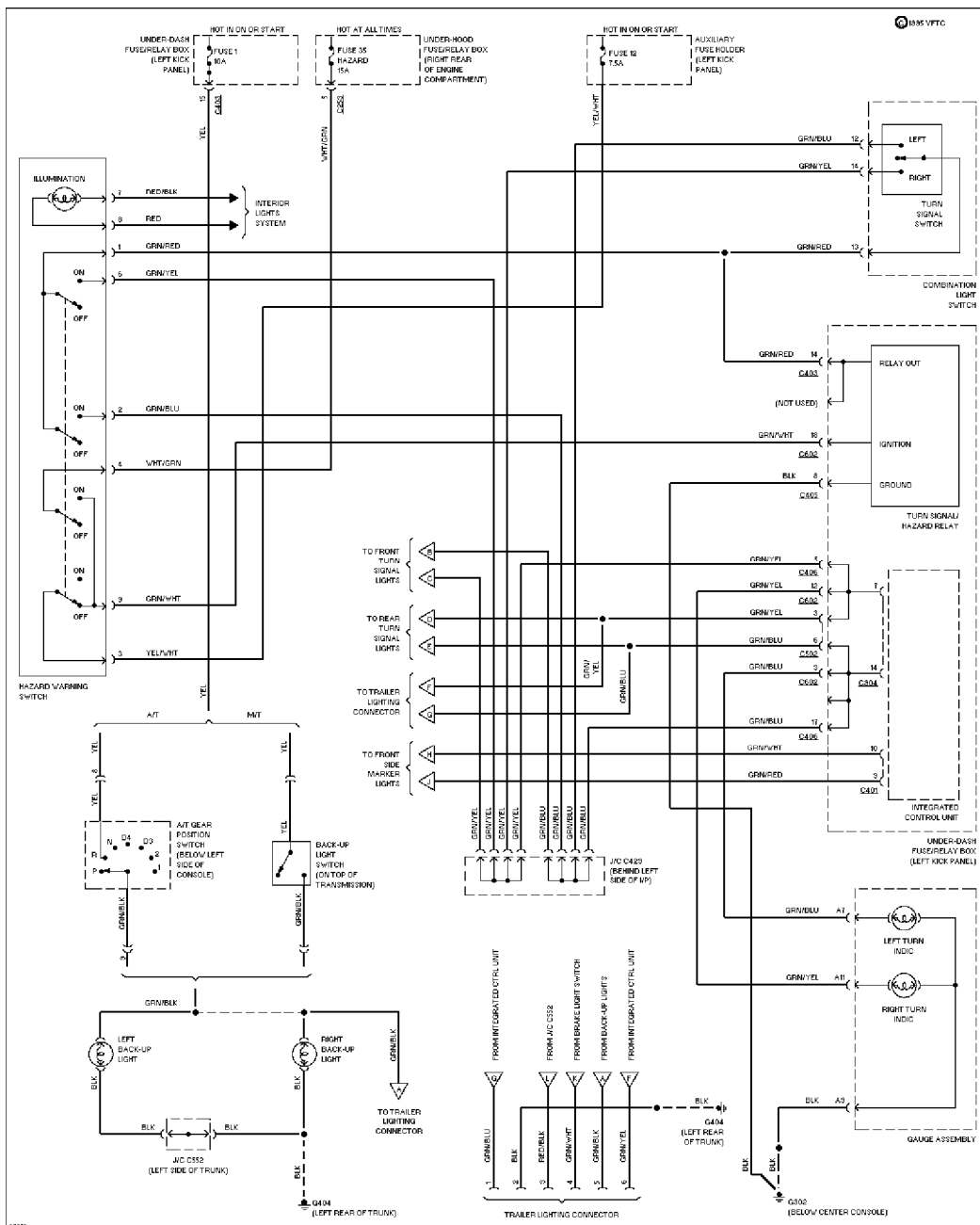
# SYSTEM WIRING DIAGRAMS

Article Text (p. 12)

1994 Honda Accord

For

Copyright © 1998 Mitchell International  
Wednesday, February 10, 1999 09:14AM



Exterior Light Circuit, Coupe & Sedan (2 of 2)

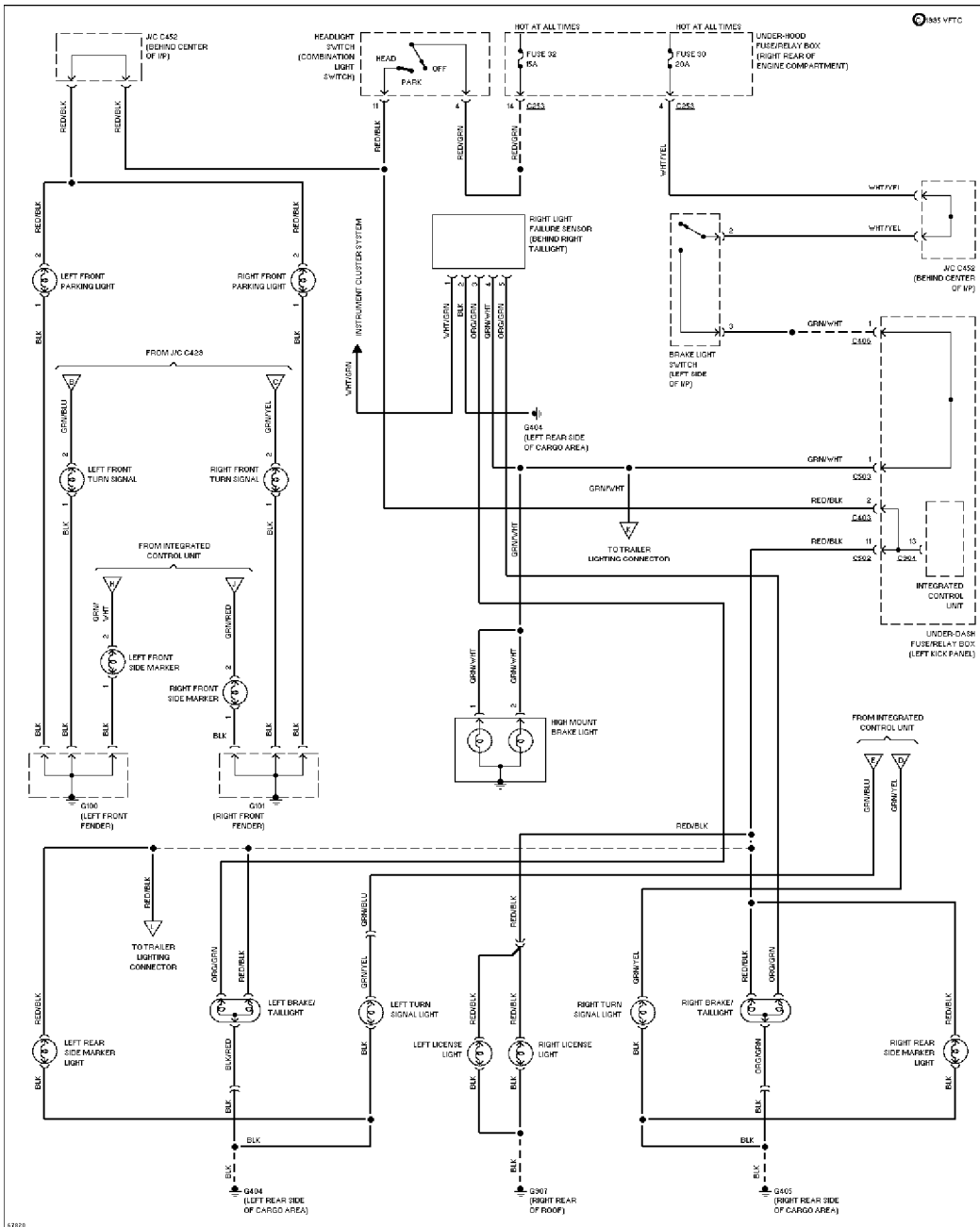
# SYSTEM WIRING DIAGRAMS

Article Text (p. 13)

1994 Honda Accord

For

Copyright © 1998 Mitchell International  
Wednesday, February 10, 1999 09:14AM



Exterior Light Circuit, Wagon (1 of 2)

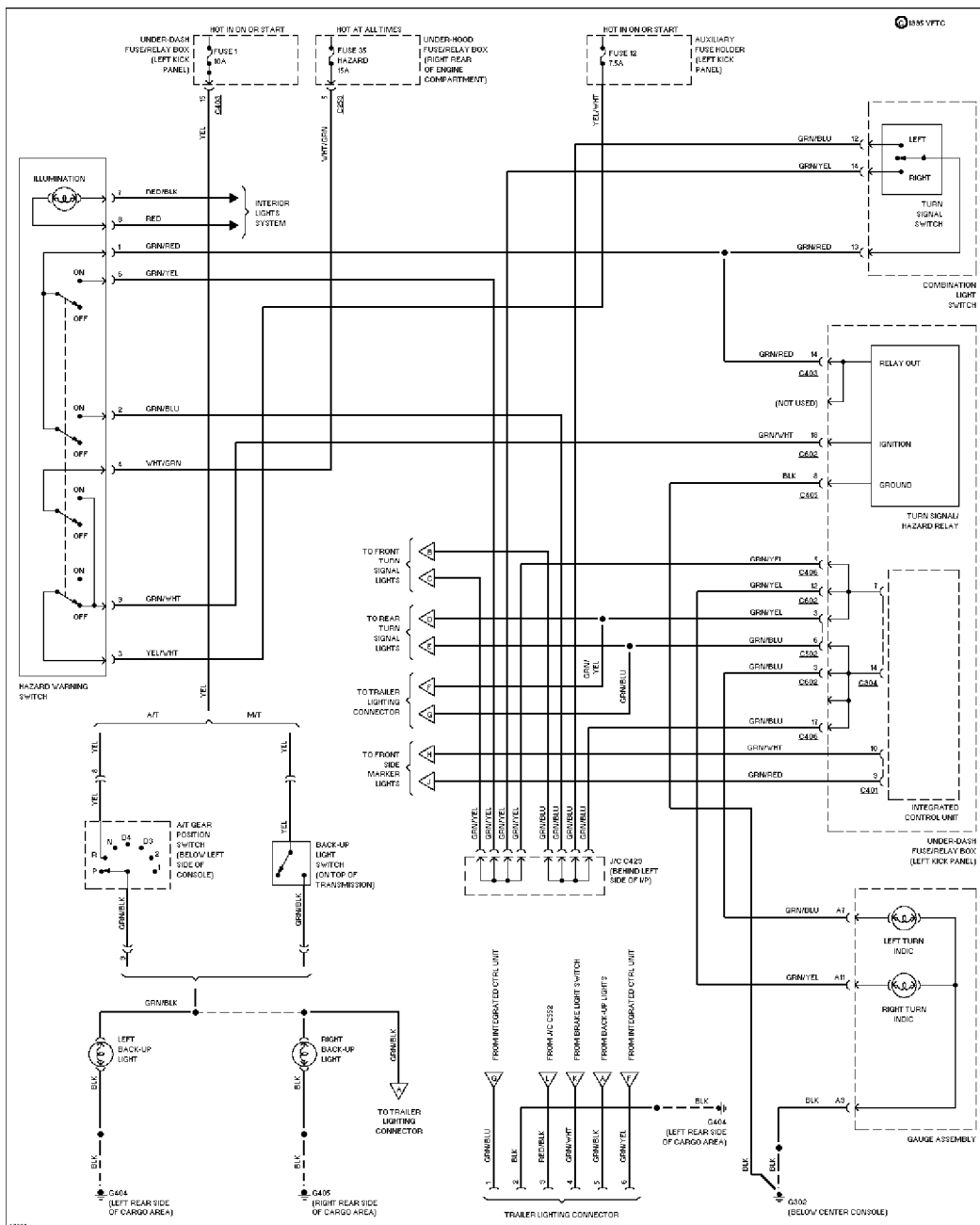
# SYSTEM WIRING DIAGRAMS

Article Text (p. 14)

1994 Honda Accord

For

Copyright © 1998 Mitchell International  
Wednesday, February 10, 1999 09:14AM



Exterior Light Circuit, Wagon (2 of 2)

## GROUND DISTRIBUTION

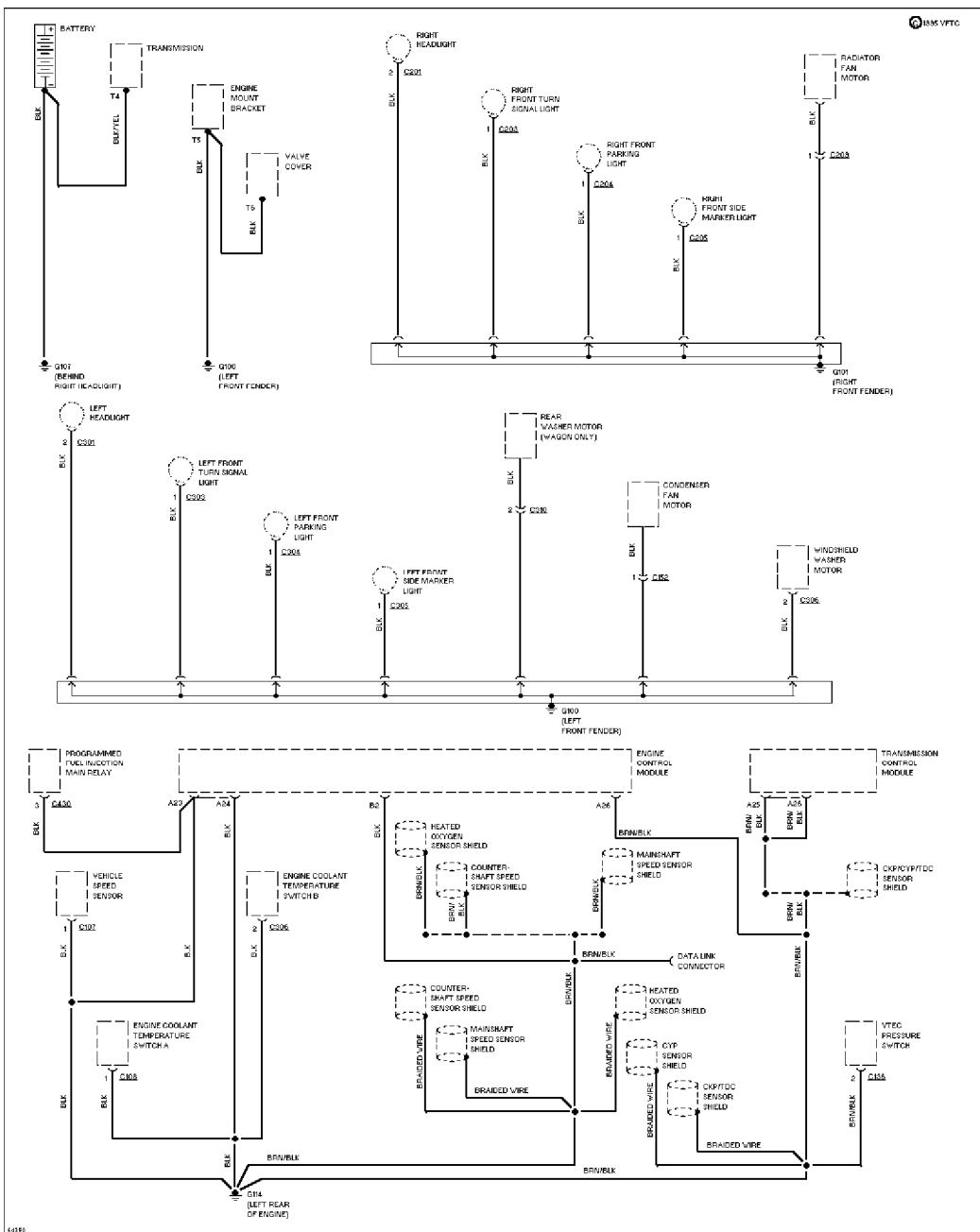
# SYSTEM WIRING DIAGRAMS

Article Text (p. 15)

1994 Honda Accord

For

Copyright © 1998 Mitchell International  
Wednesday, February 10, 1999 09:14AM



Ground Distribution Circuit (1 of 4)

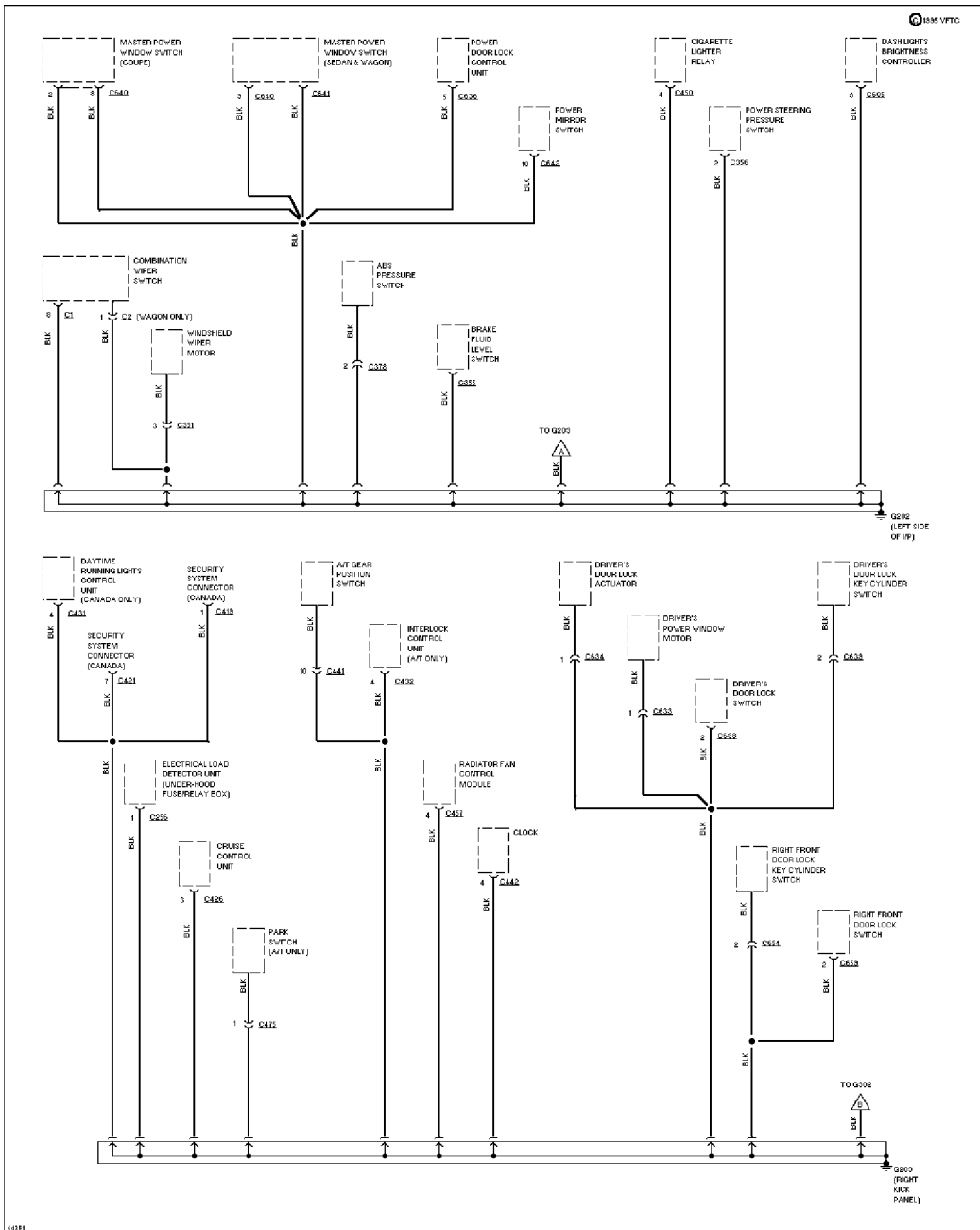
# SYSTEM WIRING DIAGRAMS

Article Text (p. 16)

1994 Honda Accord

For

Copyright © 1998 Mitchell International  
Wednesday, February 10, 1999 09:14AM



Ground Distribution Circuit (2 of 4)



# SYSTEM WIRING DIAGRAMS

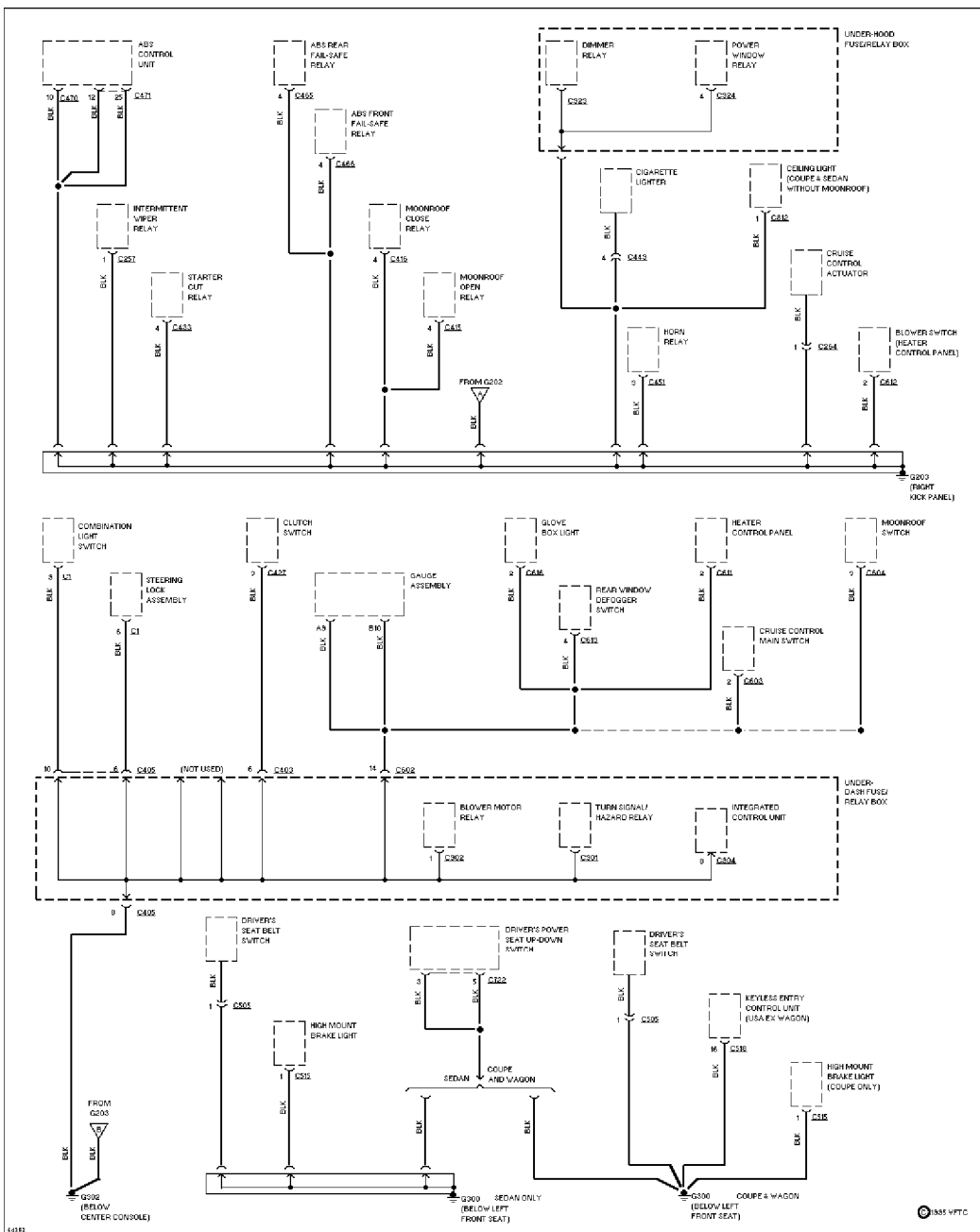
Article Text (p. 17)

1994 Honda Accord

For

Copyright © 1998 Mitchell International

Wednesday, February 10, 1999 09:14AM



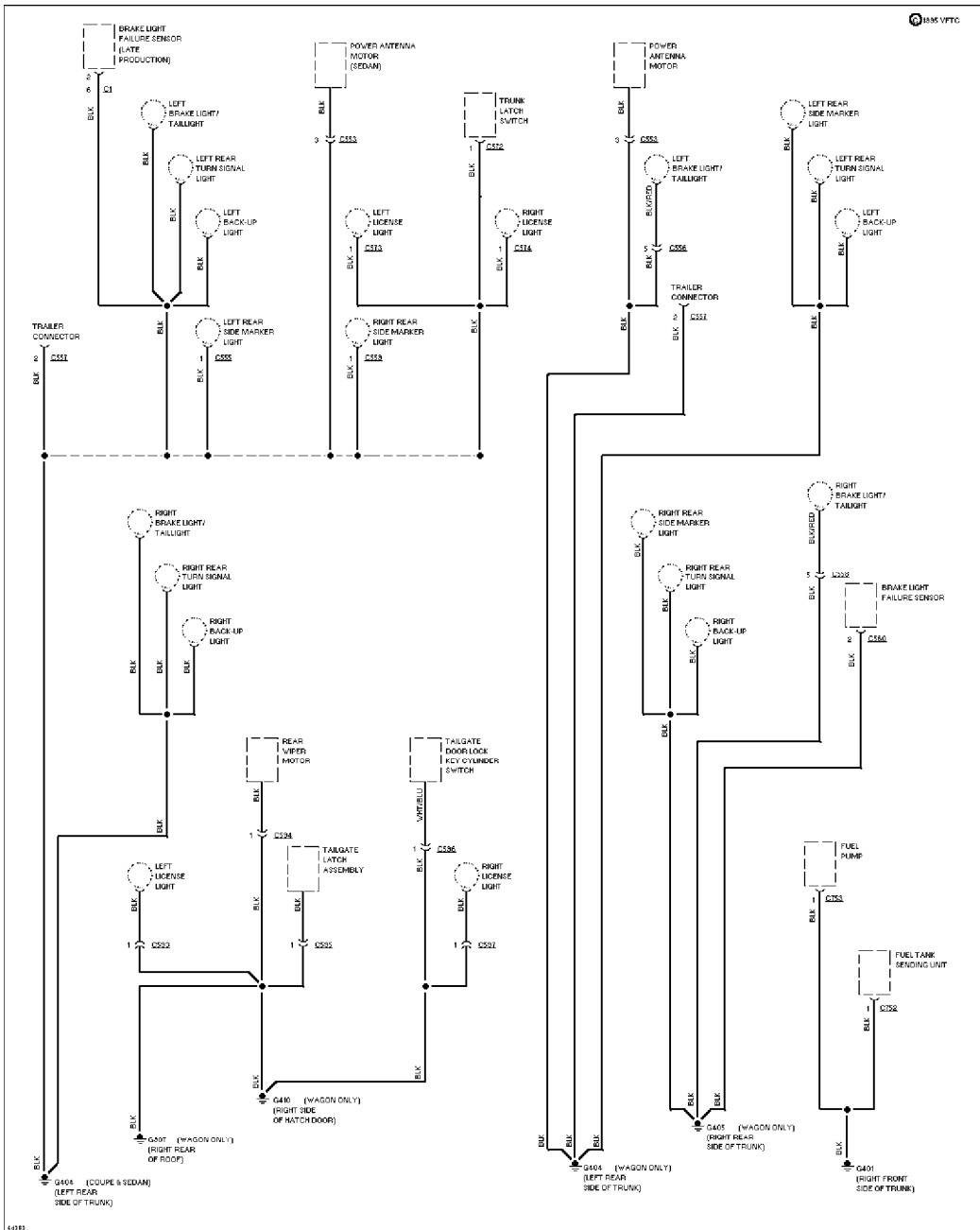
# SYSTEM WIRING DIAGRAMS

Article Text (p. 18)

1994 Honda Accord

For

Copyright © 1998 Mitchell International  
Wednesday, February 10, 1999 09:14AM



Ground Distribution Circuit (4 of 4)

## HEADLIGHTS

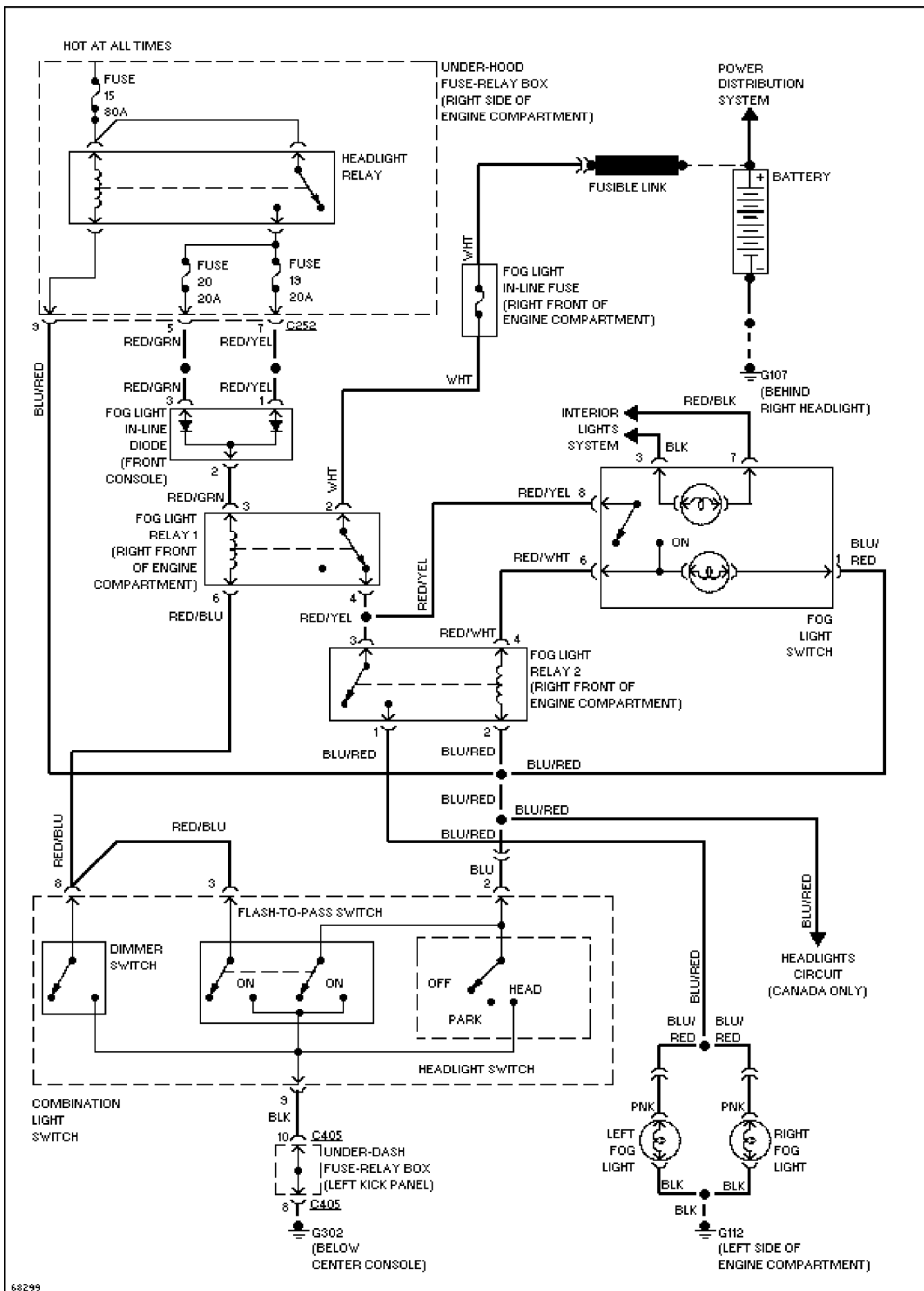
# SYSTEM WIRING DIAGRAMS

Article Text (p. 19)

1994 Honda Accord

For

Copyright © 1998 Mitchell International  
Wednesday, February 10, 1999 09:14AM



# SYSTEM WIRING DIAGRAMS

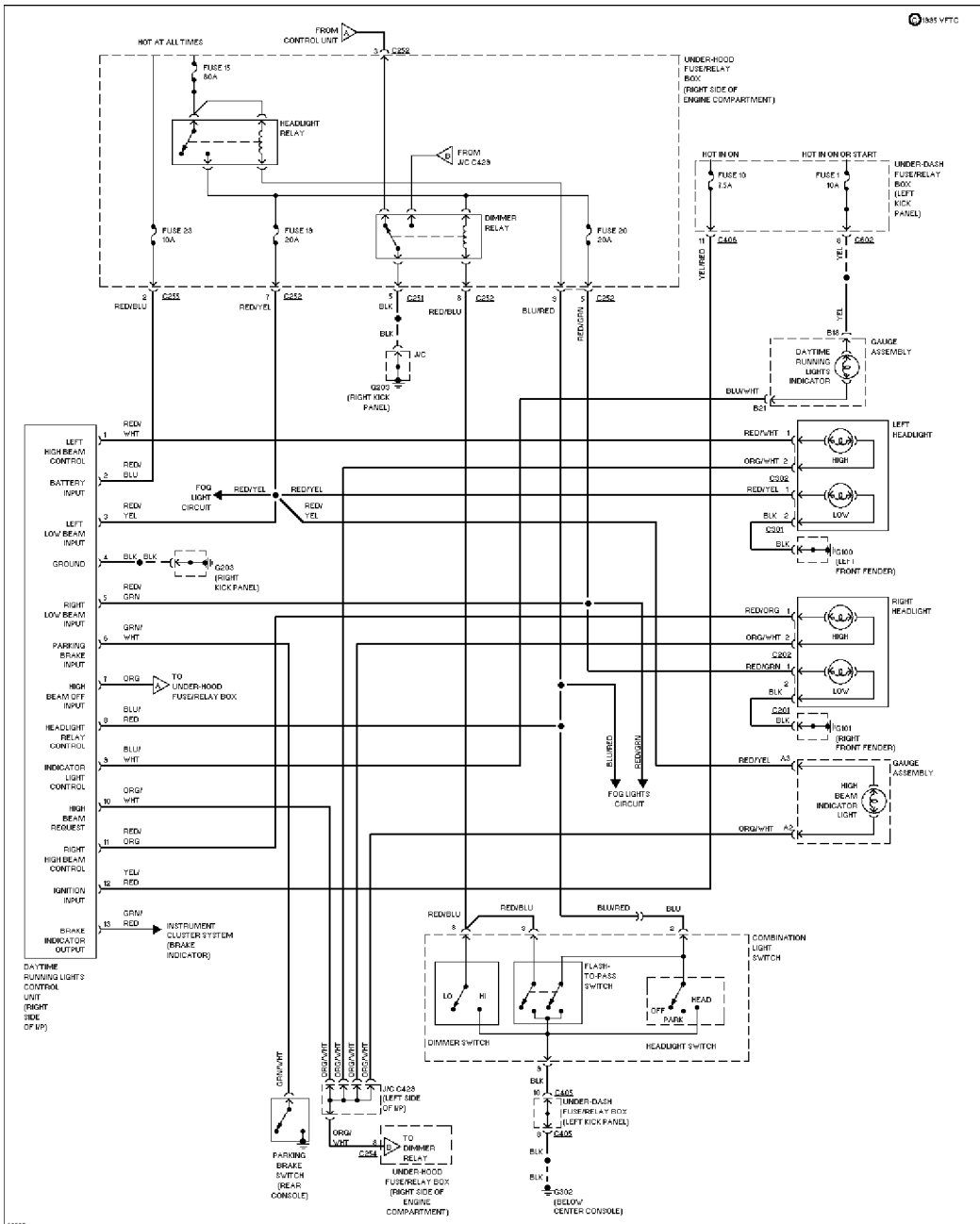
Article Text (p. 20)

1994 Honda Accord

For

Copyright © 1998 Mitchell International

Wednesday, February 10, 1999 09:14AM



Headlamps Circuit, W/ DRL

# SYSTEM WIRING DIAGRAMS

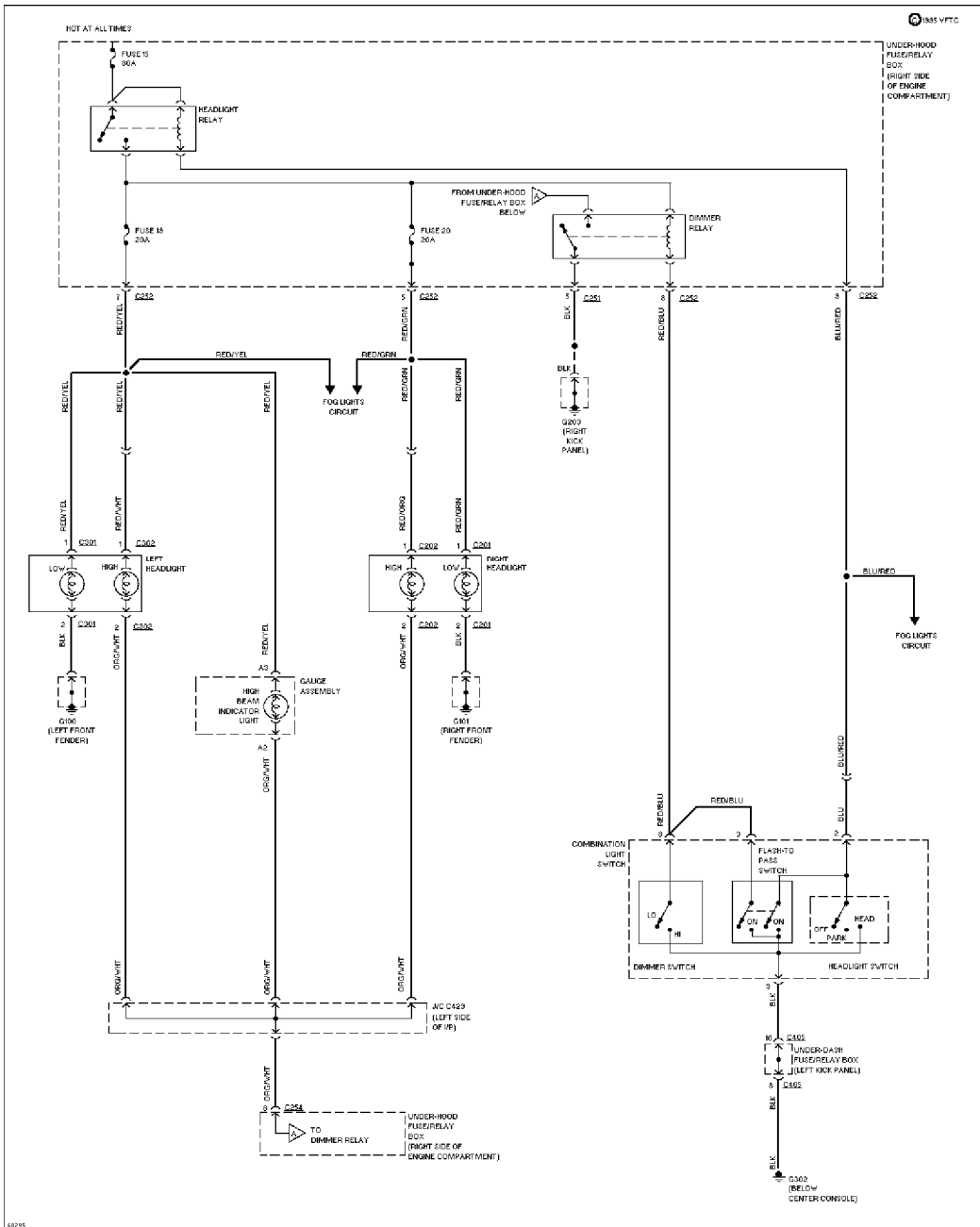
Article Text (p. 21)

1994 Honda Accord

For

Copyright © 1998 Mitchell International

Wednesday, February 10, 1999 09:14AM



Headlamps Circuit, W/O DRL

**HORN**

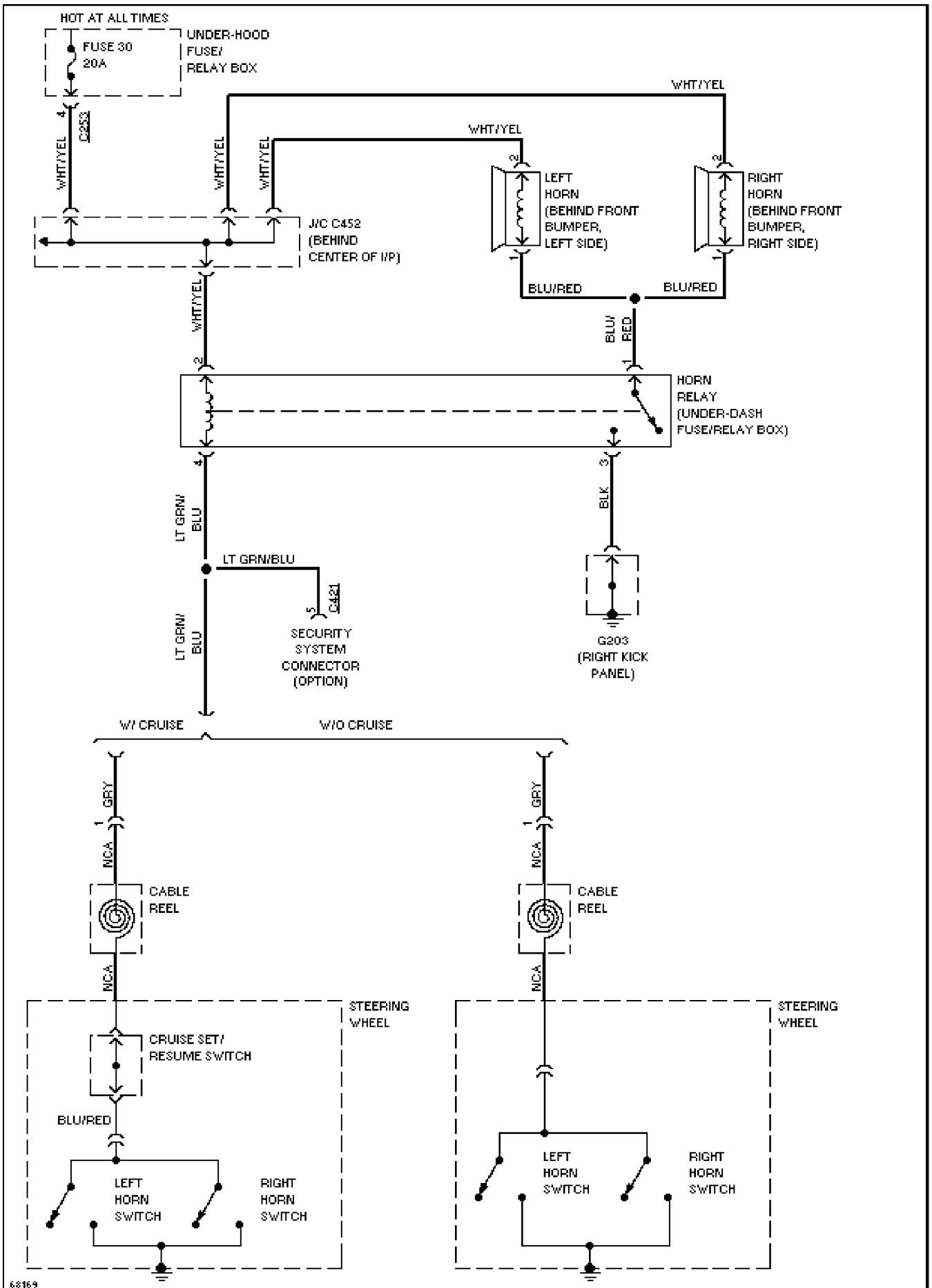
# SYSTEM WIRING DIAGRAMS

Article Text (p. 22)

1994 Honda Accord

For

Copyright © 1998 Mitchell International  
Wednesday, February 10, 1999 09:14AM



Horn Circuit

## INSTRUMENT CLUSTER

# SYSTEM WIRING DIAGRAMS

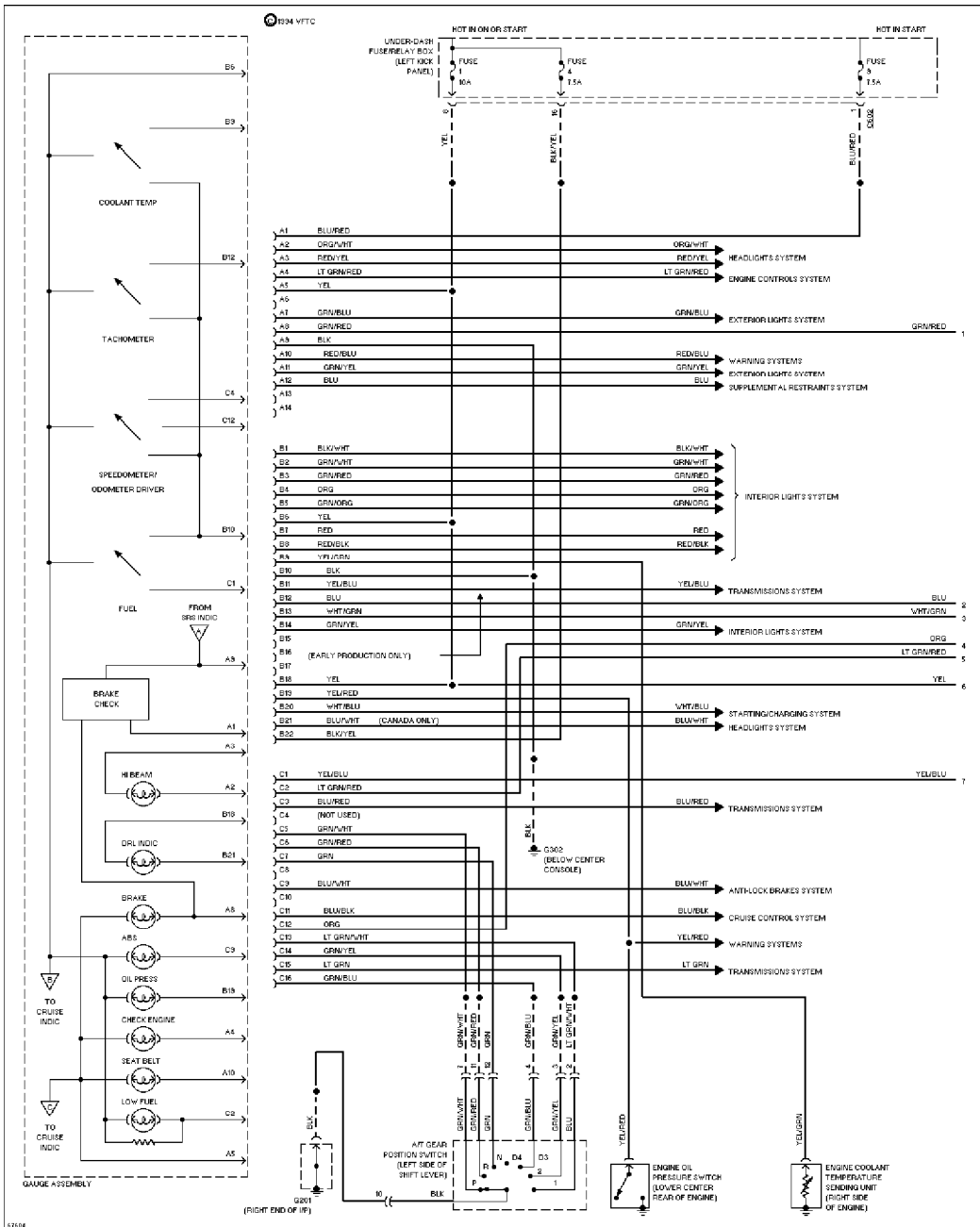
Article Text (p. 23)

1994 Honda Accord

For

Copyright © 1998 Mitchell International

Wednesday, February 10, 1999 09:14AM



Instrument Cluster Circuit (1 of 2)

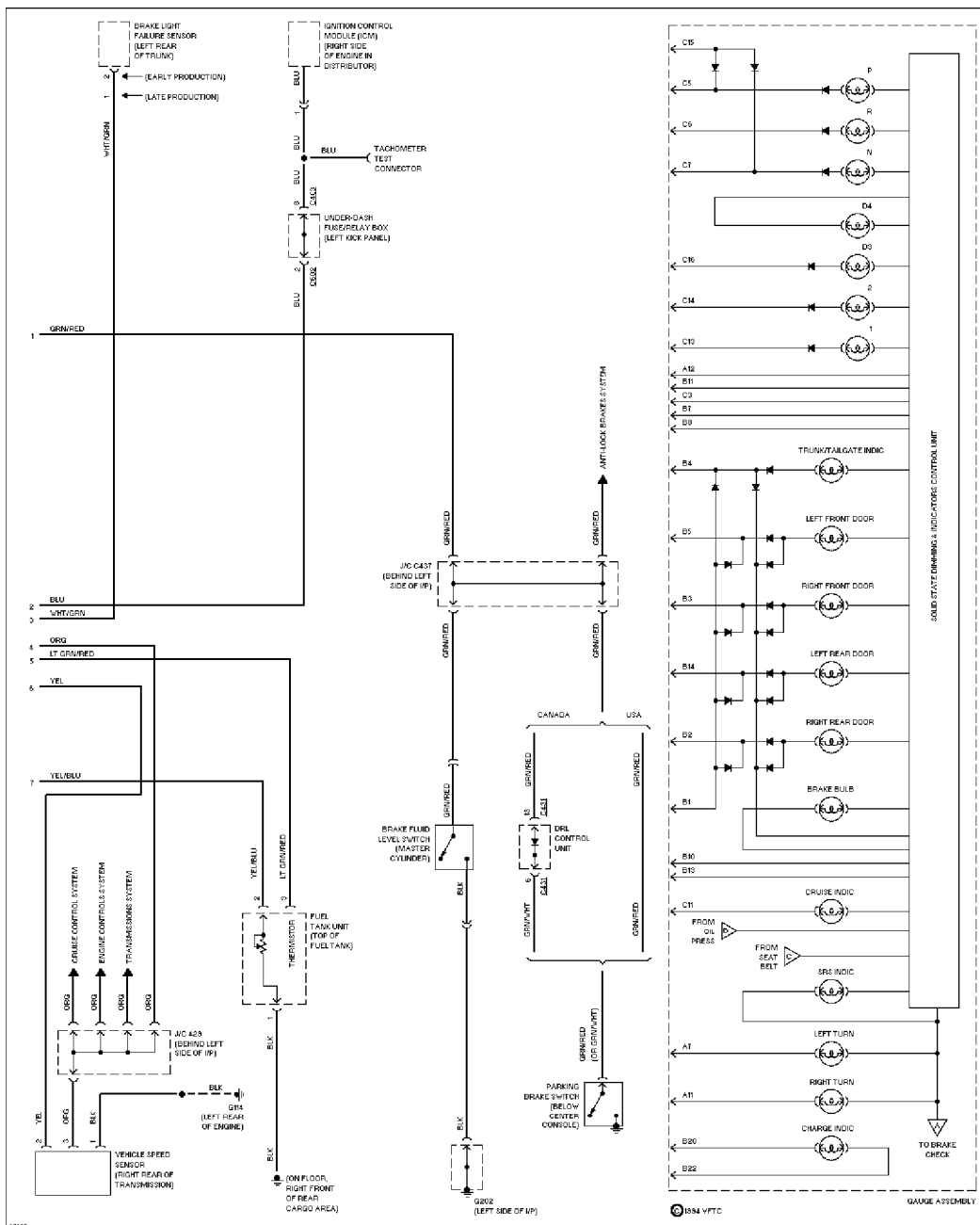
# SYSTEM WIRING DIAGRAMS

Article Text (p. 24)

1994 Honda Accord

For

Copyright © 1998 Mitchell International  
Wednesday, February 10, 1999 09:14AM



Instrument Cluster Circuit (2 of 2)

## INTERIOR LIGHTS



# SYSTEM WIRING DIAGRAMS

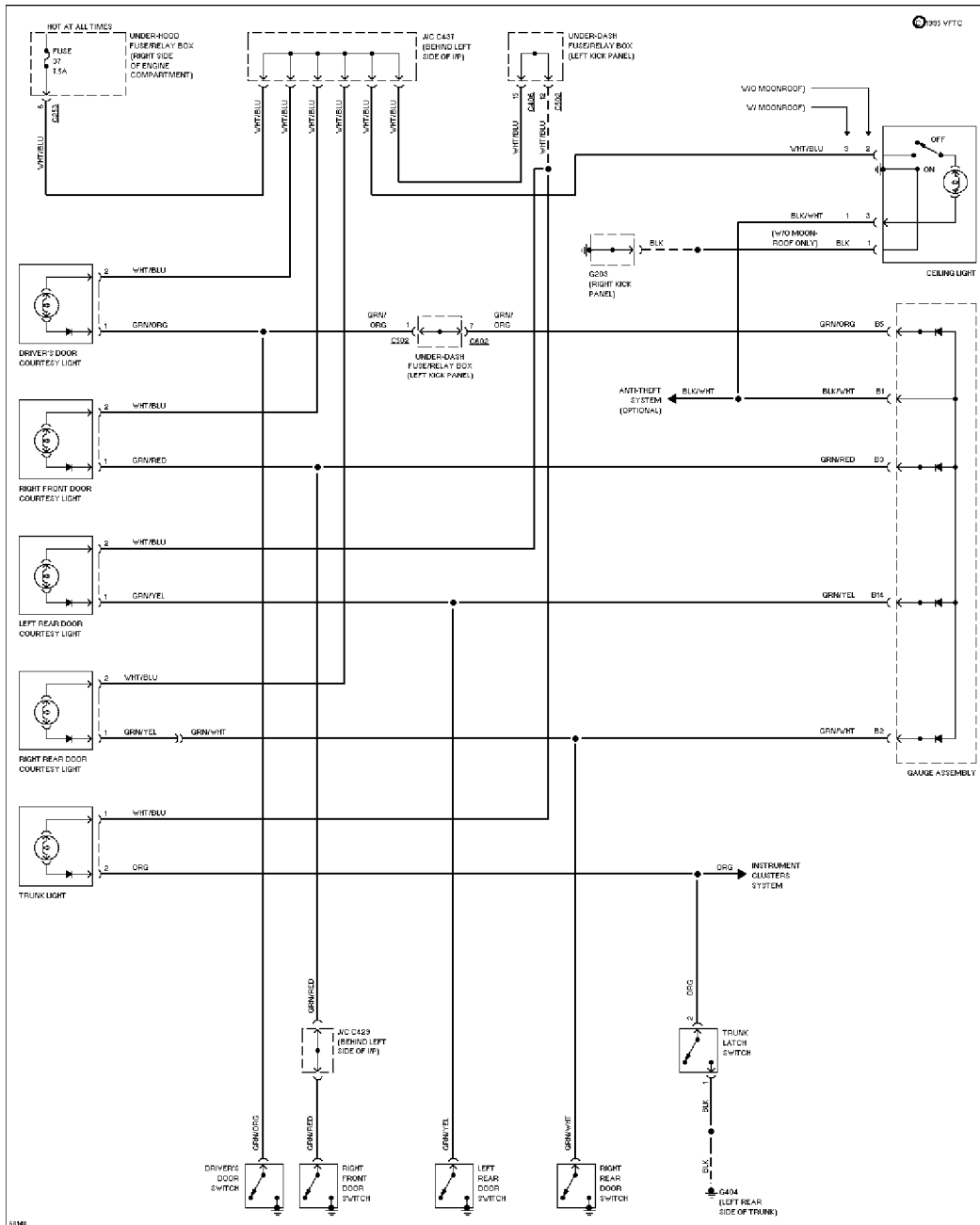
Article Text (p. 25)

1994 Honda Accord

For

Copyright © 1998 Mitchell International

Wednesday, February 10, 1999 09:14AM



Courtesy Lamp Circuit, Coupe & Sedan

# SYSTEM WIRING DIAGRAMS

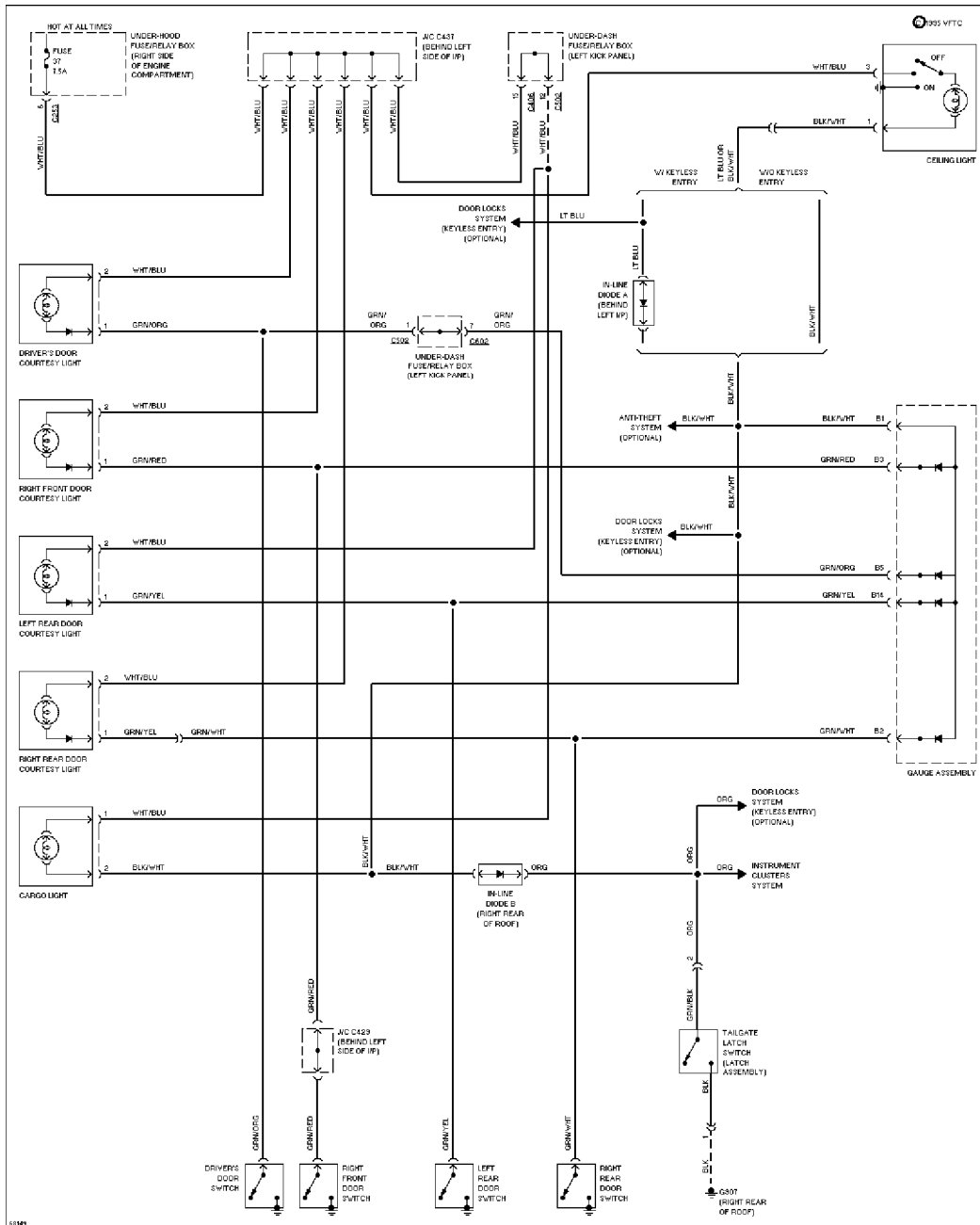
Article Text (p. 26)

1994 Honda Accord

For

Copyright © 1998 Mitchell International

Wednesday, February 10, 1999 09:14AM



Courtesy Lamp Circuit, Wagon

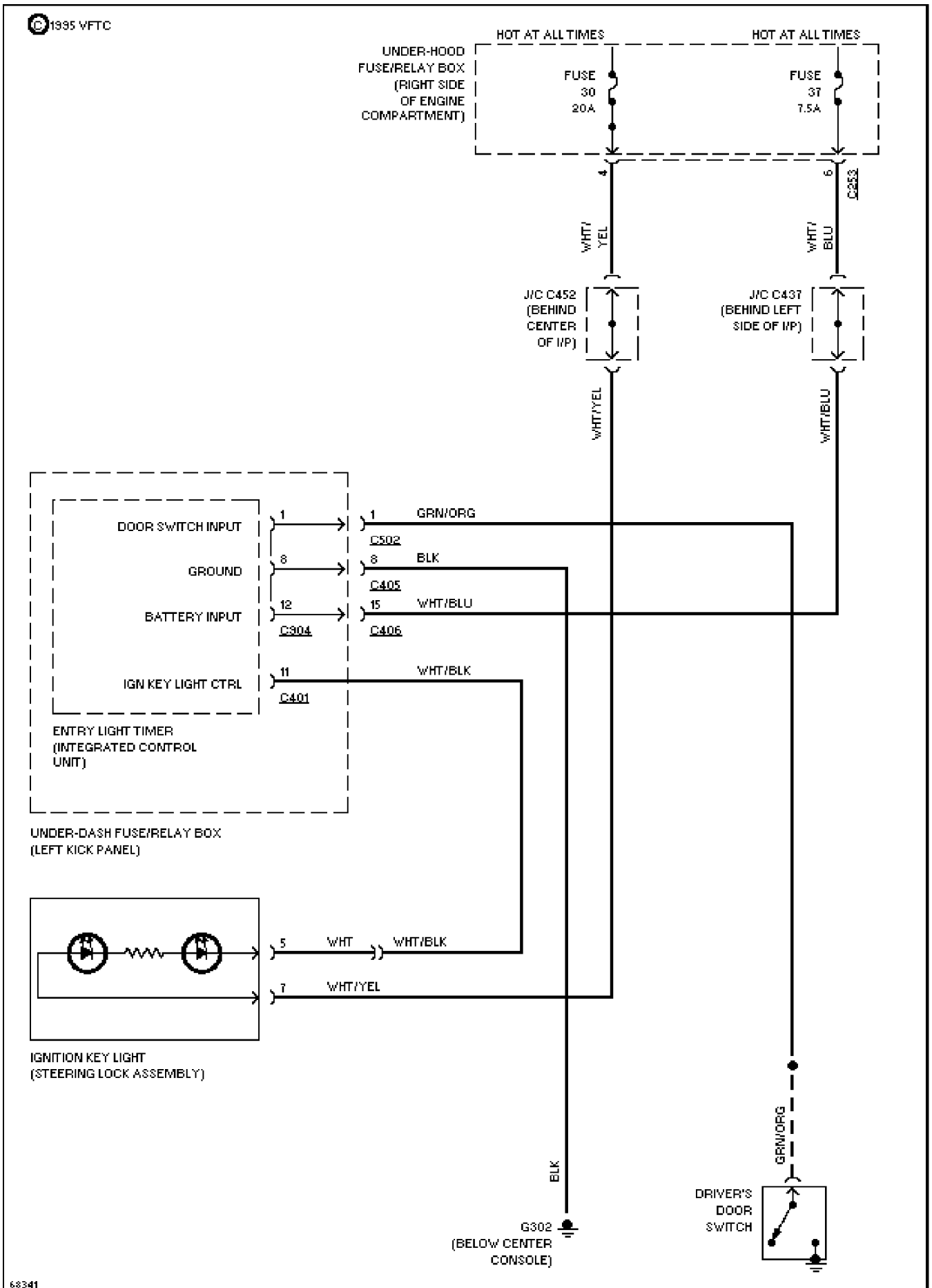
# SYSTEM WIRING DIAGRAMS

## Article Text (p. 27)

1994 Honda Accord

For

Copyright © 1998 Mitchell International  
Wednesday, February 10, 1999 09:14AM



Ignition Key Light Circuit

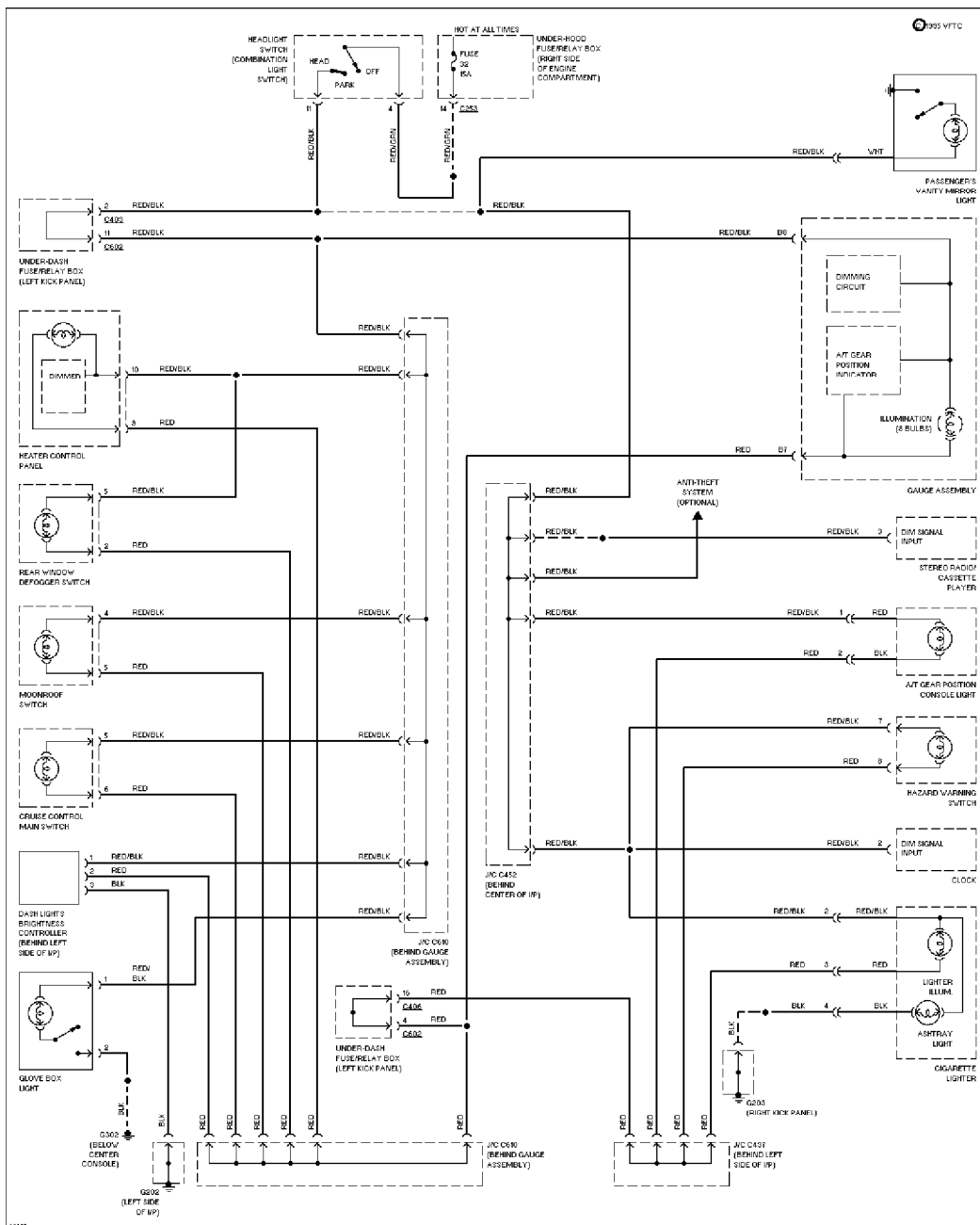
# SYSTEM WIRING DIAGRAMS

Article Text (p. 28)

1994 Honda Accord

For

Copyright © 1998 Mitchell International  
Wednesday, February 10, 1999 09:14AM



Instrument Illumination Circuit

## POWER ANTENNA

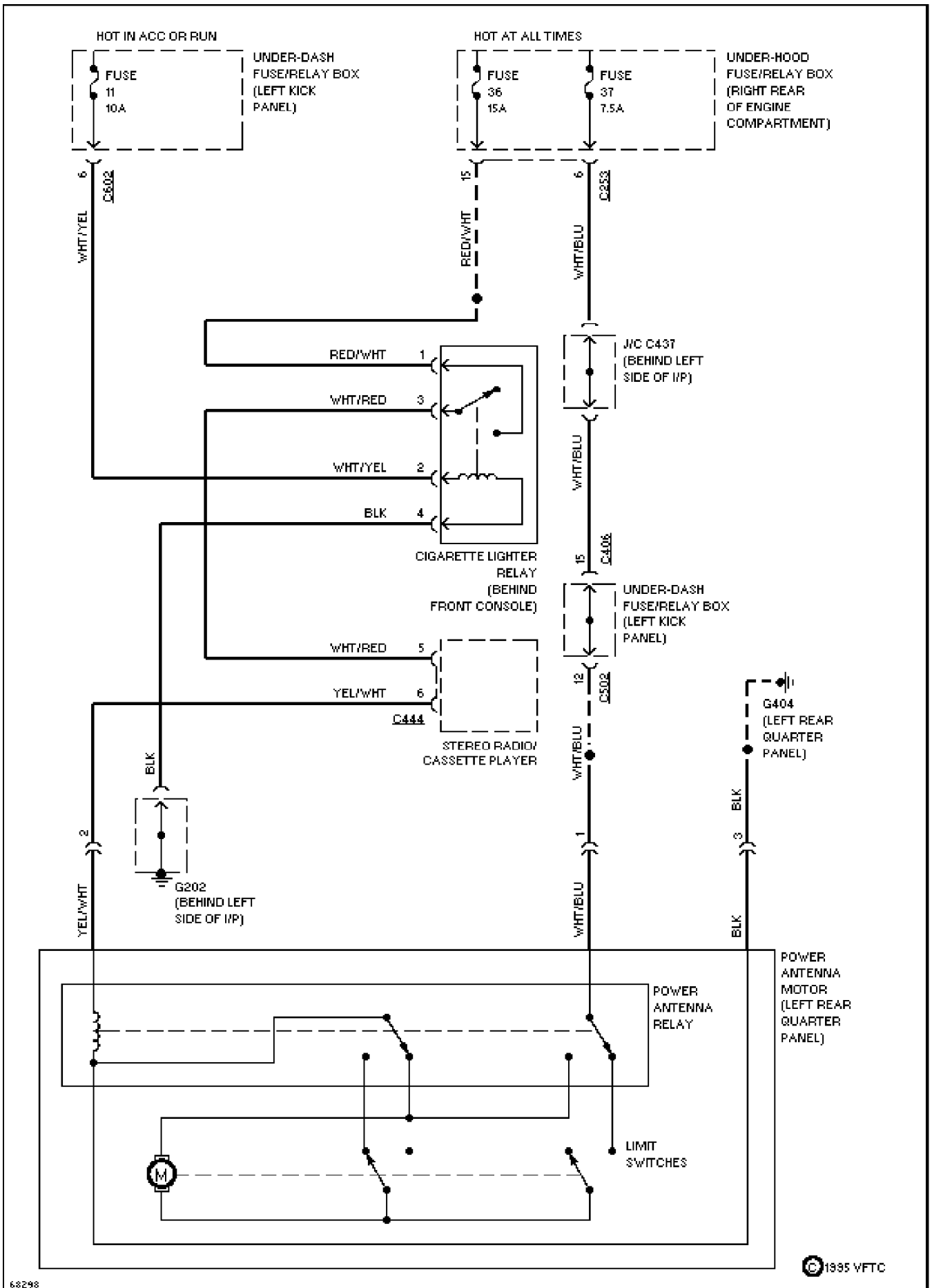
# SYSTEM WIRING DIAGRAMS

Article Text (p. 29)

1994 Honda Accord

For

Copyright © 1998 Mitchell International  
Wednesday, February 10, 1999 09:14AM



Power Antenna Circuit

## POWER DISTRIBUTION

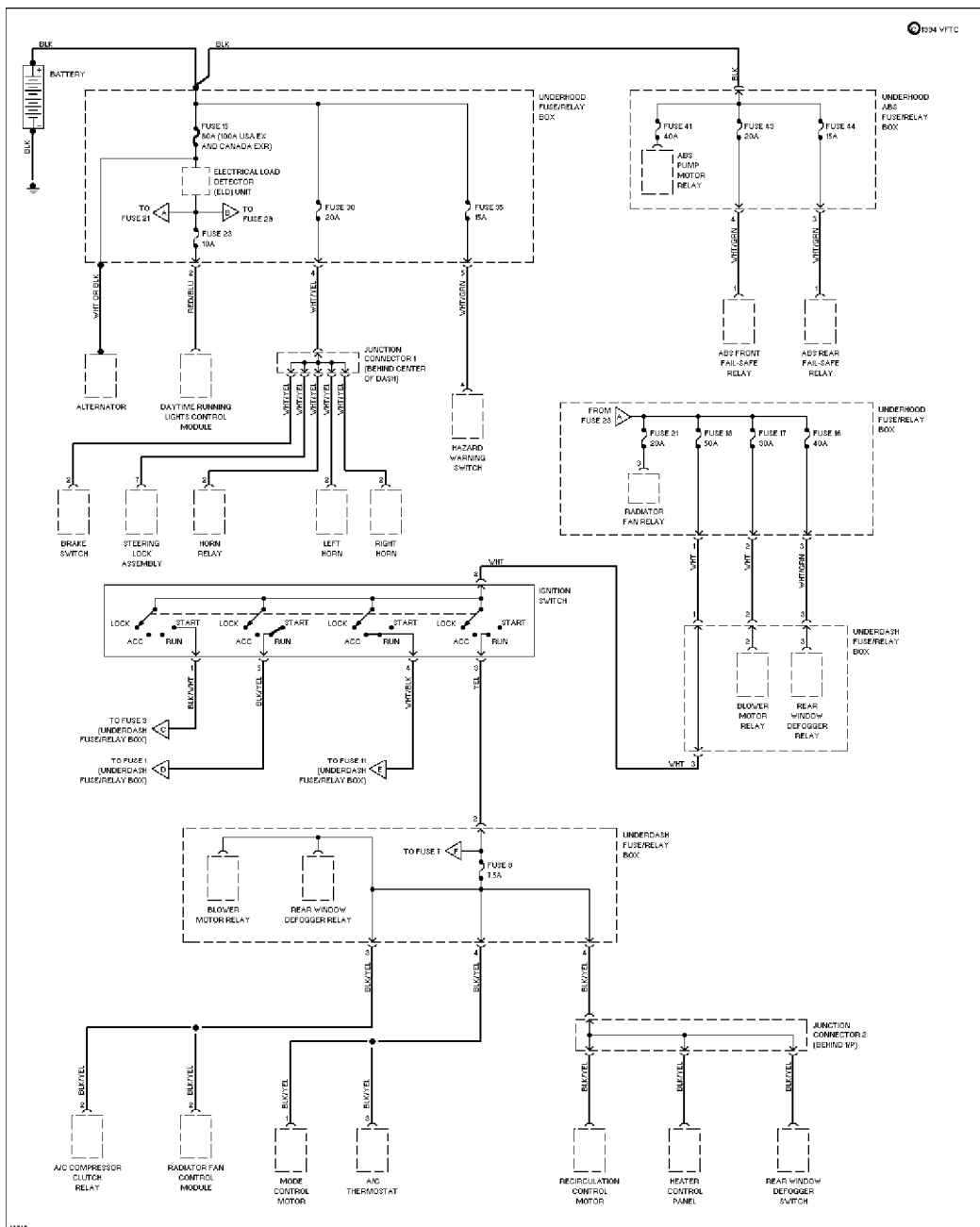
# SYSTEM WIRING DIAGRAMS

Article Text (p. 30)

1994 Honda Accord

For

Copyright © 1998 Mitchell International  
Wednesday, February 10, 1999 09:14AM



Power Distribution Circuit (1 of 4)



# SYSTEM WIRING DIAGRAMS

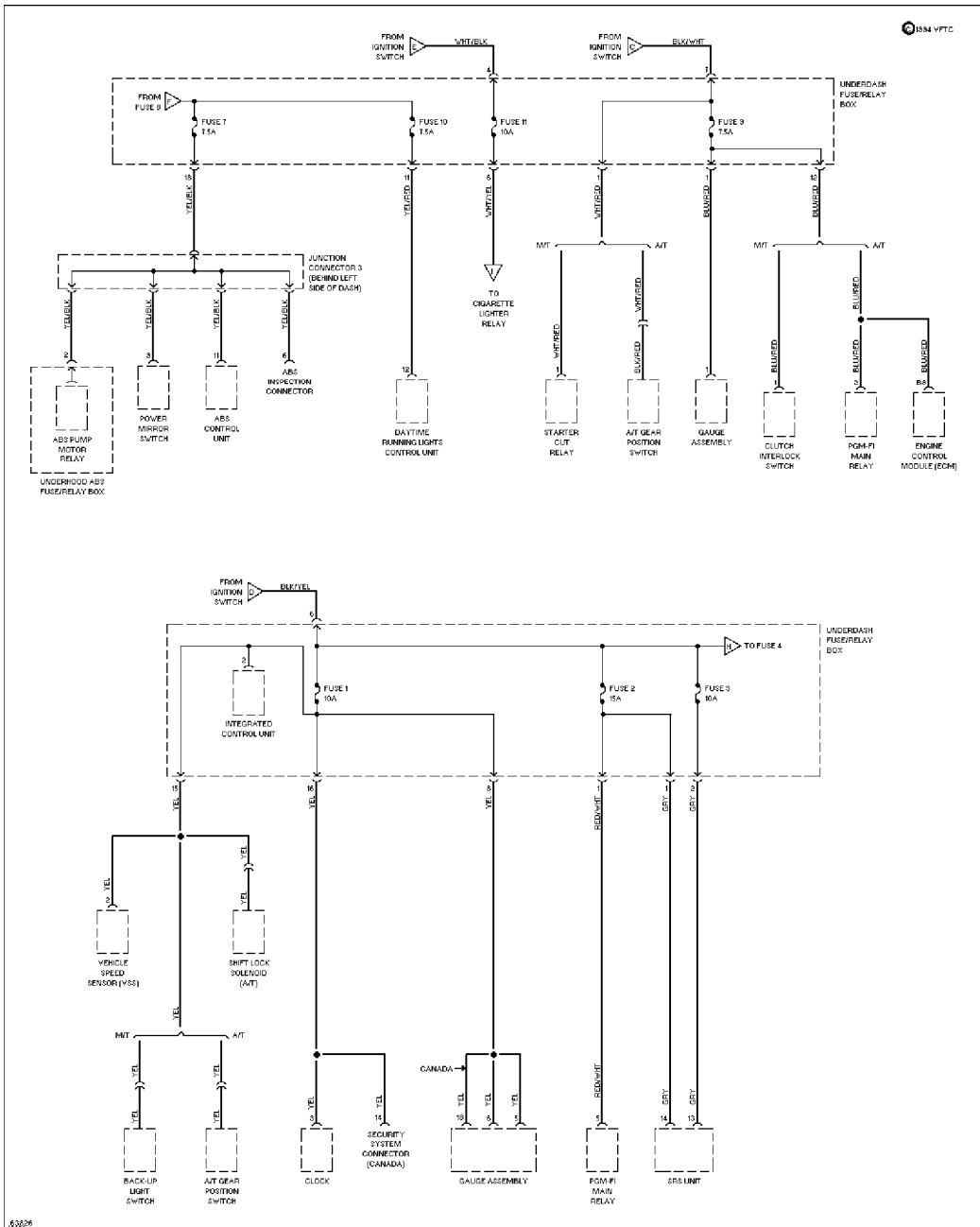
Article Text (p. 32)

1994 Honda Accord

For

Copyright © 1998 Mitchell International

Wednesday, February 10, 1999 09:14AM



Power Distribution Circuit (3 of 4)



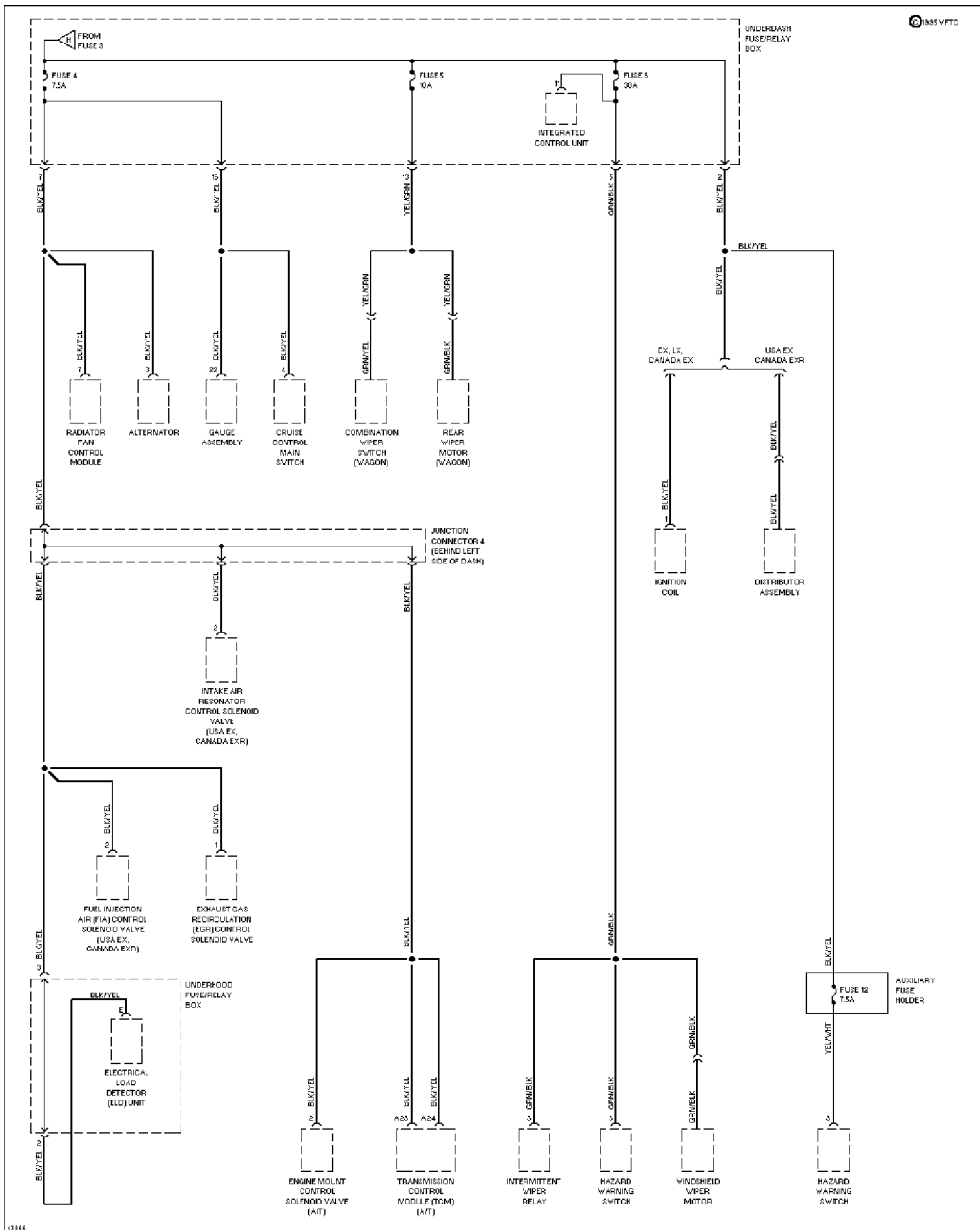
# SYSTEM WIRING DIAGRAMS

Article Text (p. 33)

1994 Honda Accord

For

Copyright © 1998 Mitchell International  
Wednesday, February 10, 1999 09:14AM



Power Distribution Circuit (4 of 4)

## POWER DOOR LOCKS

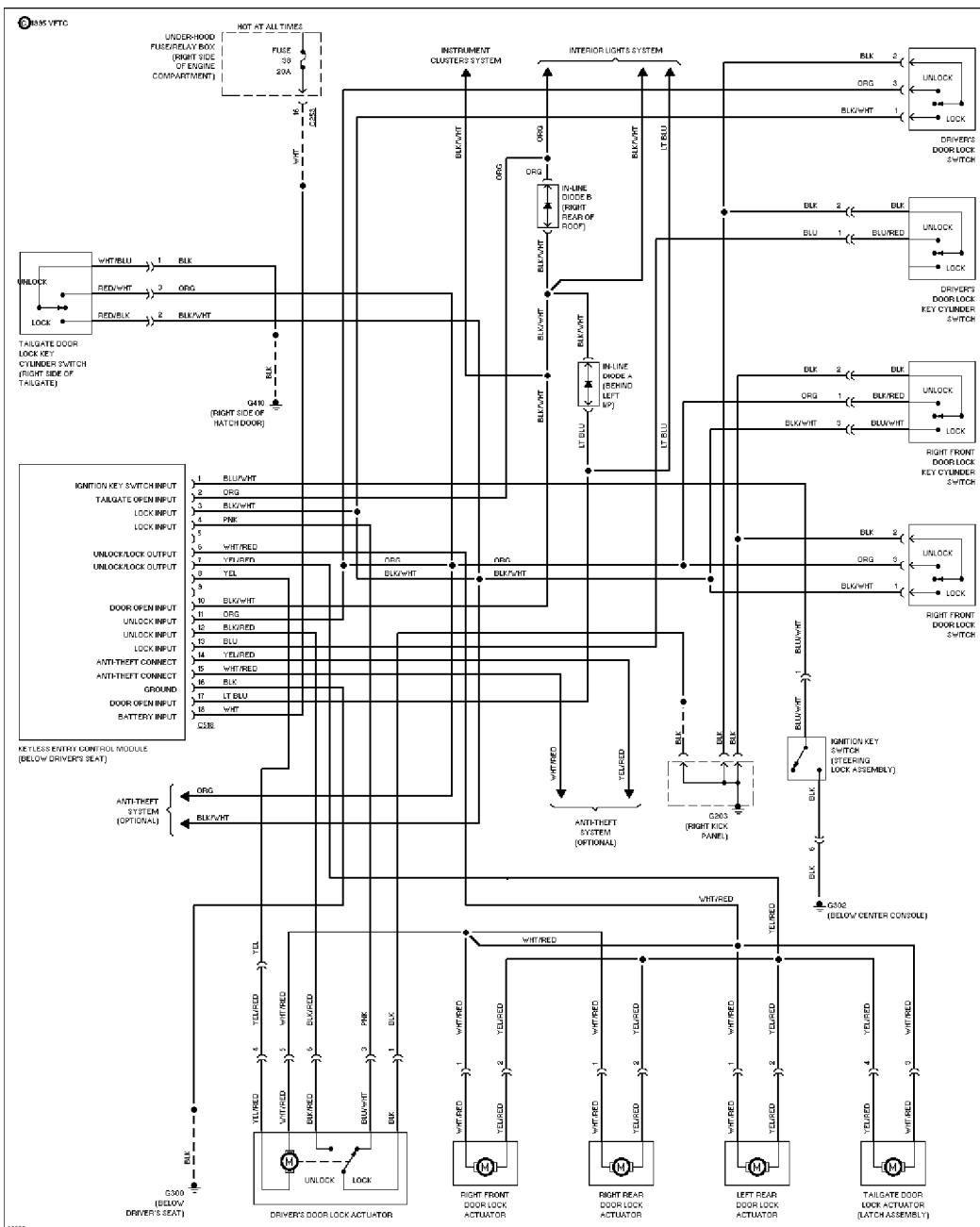
# SYSTEM WIRING DIAGRAMS

Article Text (p. 34)

1994 Honda Accord

For

Copyright © 1998 Mitchell International  
Wednesday, February 10, 1999 09:14AM



Keyless Entry Circuit, Wagon

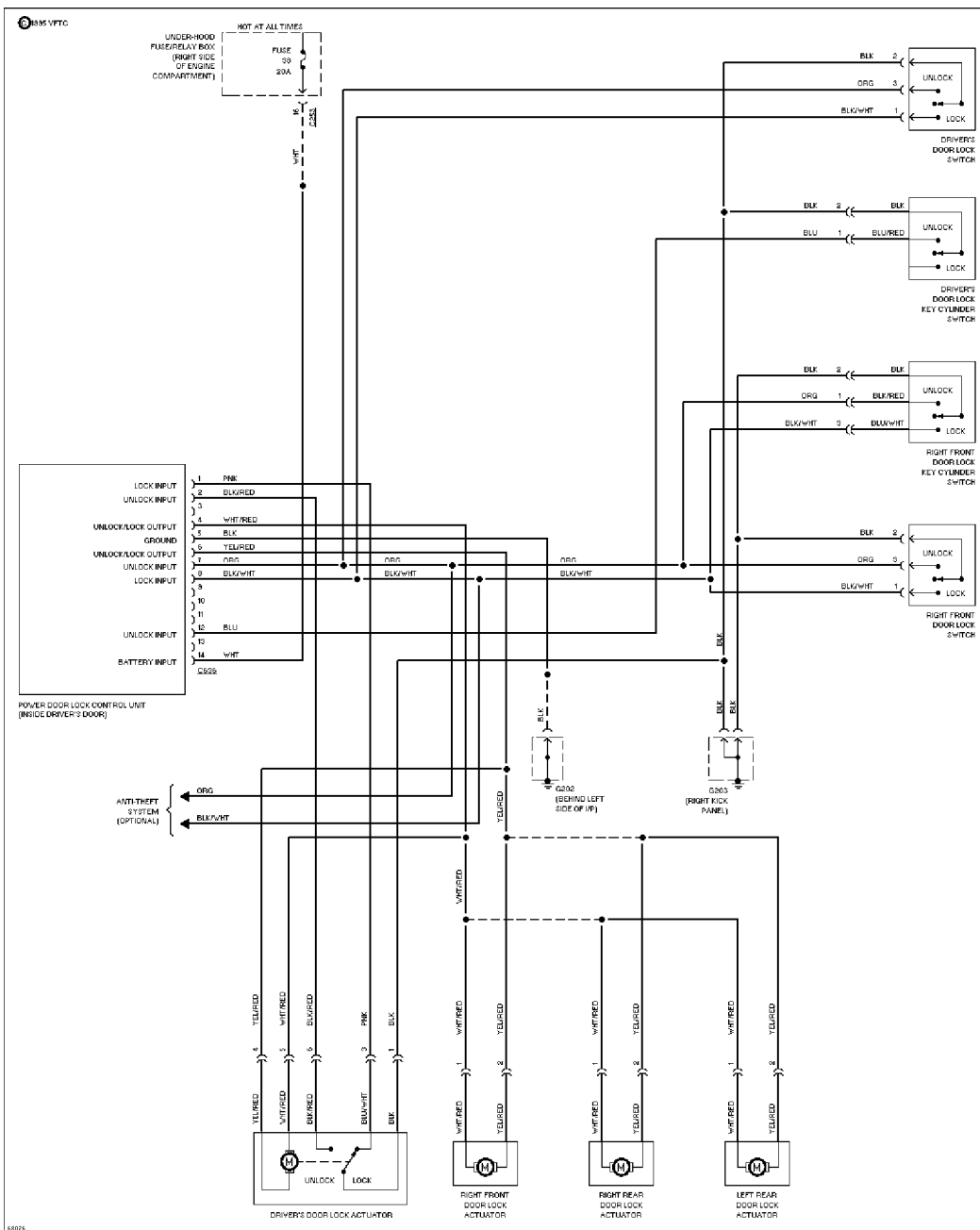
# SYSTEM WIRING DIAGRAMS

Article Text (p. 35)

1994 Honda Accord

For

Copyright © 1998 Mitchell International  
Wednesday, February 10, 1999 09:14AM



Power Door Lock Circuit, Coupe & Sedan

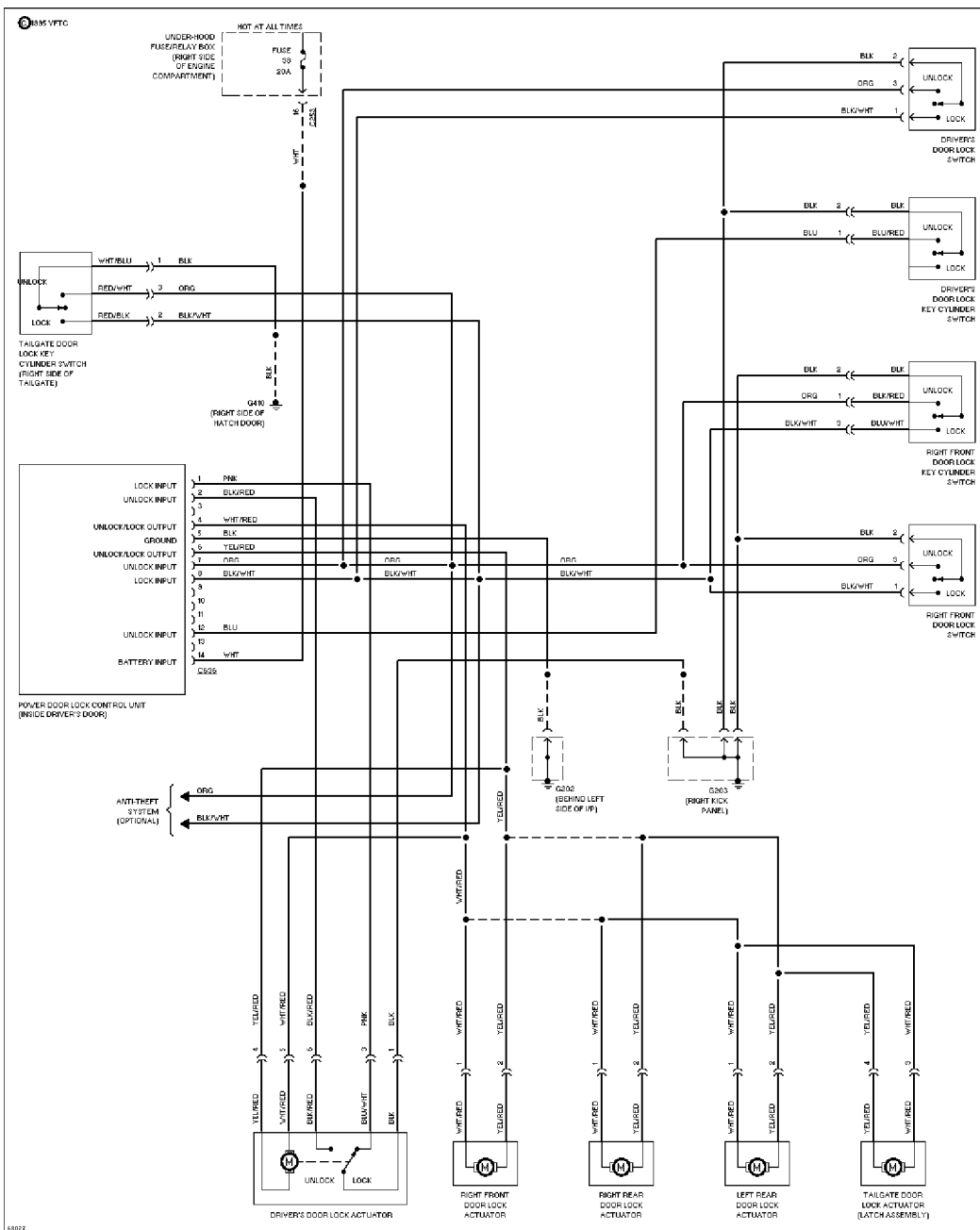
# SYSTEM WIRING DIAGRAMS

Article Text (p. 36)

1994 Honda Accord

For

Copyright © 1998 Mitchell International  
Wednesday, February 10, 1999 09:14AM



Power Door Lock Circuit, Wagon

## POWER MIRRORS

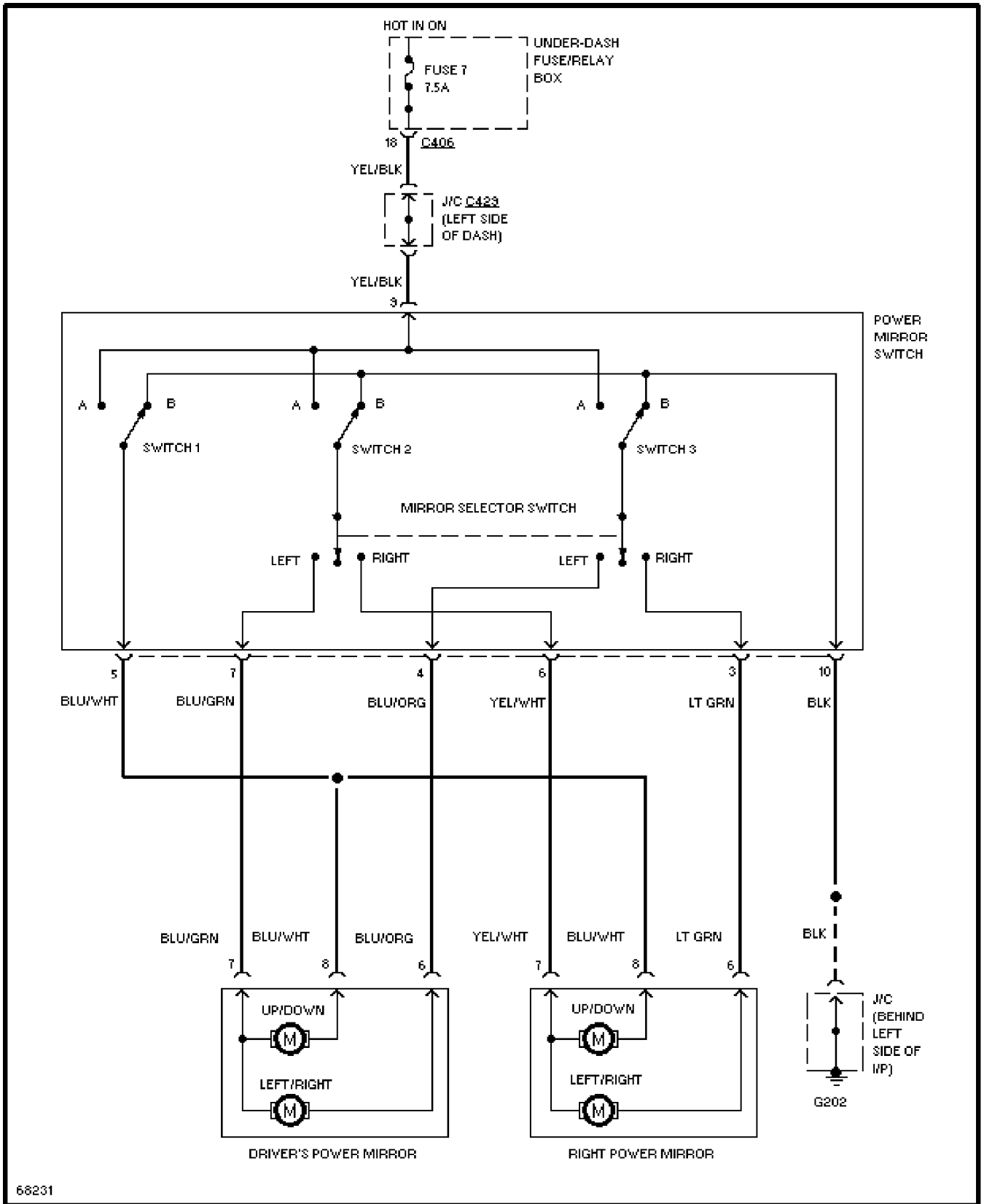
# SYSTEM WIRING DIAGRAMS

## Article Text (p. 37)

1994 Honda Accord

For

Copyright © 1998 Mitchell International  
Wednesday, February 10, 1999 09:14AM



Power Mirror Circuit

## POWER SEATS









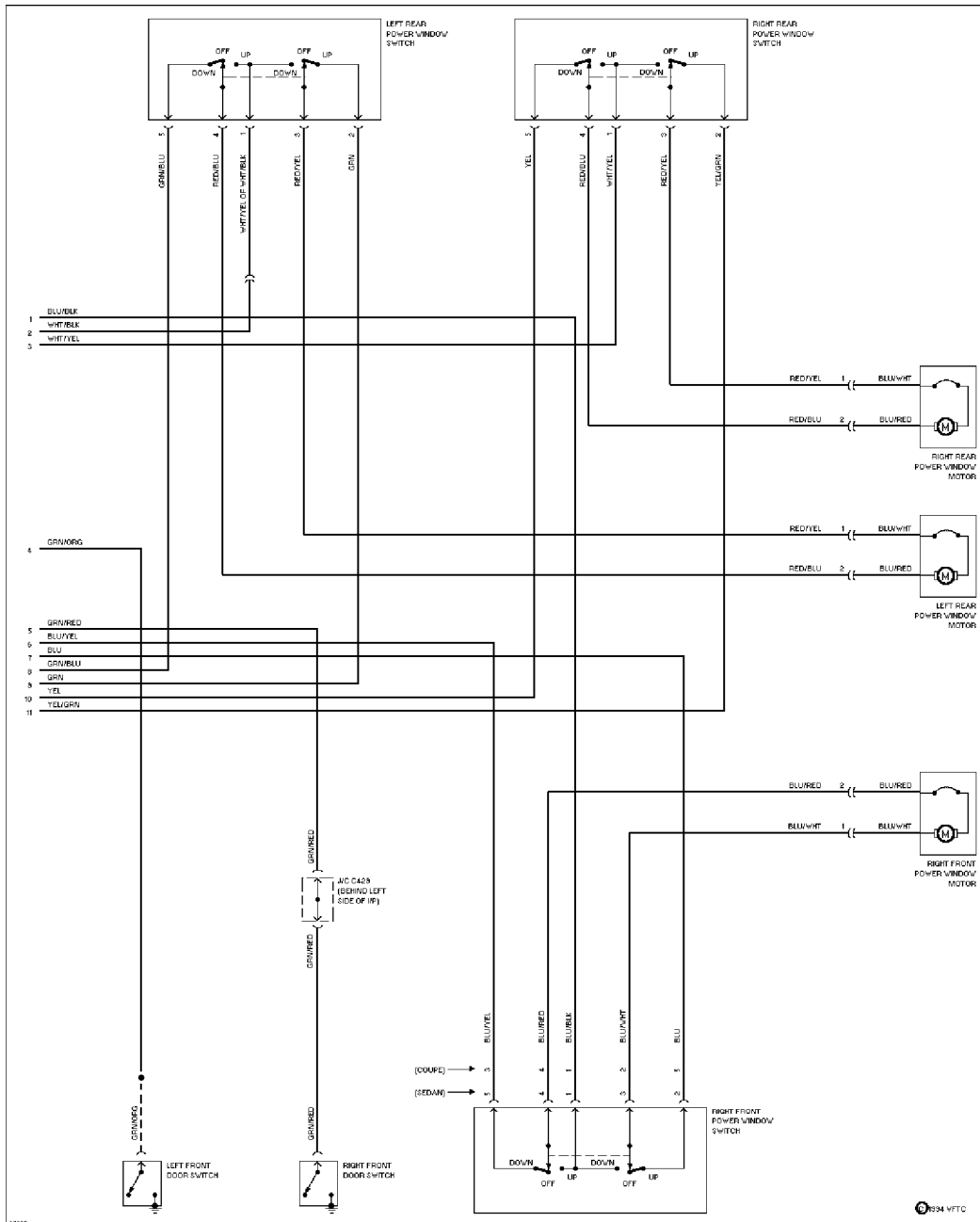
# SYSTEM WIRING DIAGRAMS

Article Text (p. 41)

1994 Honda Accord

For

Copyright © 1998 Mitchell International  
Wednesday, February 10, 1999 09:14AM



Power Window Circuit (2 of 2)

## SHIFT INTERLOCKS

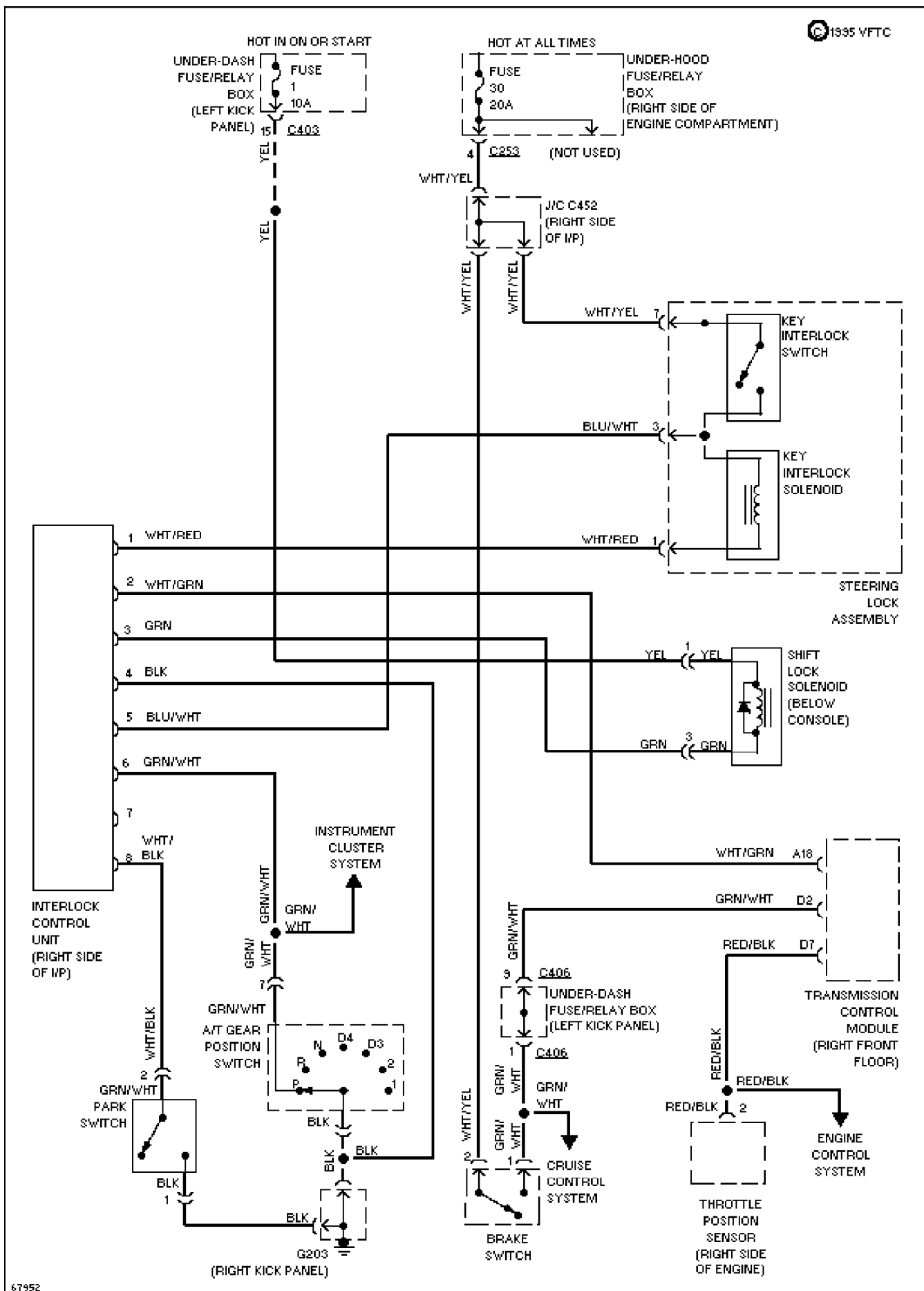
# SYSTEM WIRING DIAGRAMS

Article Text (p. 42)

1994 Honda Accord

For

Copyright © 1998 Mitchell International  
Wednesday, February 10, 1999 09:14AM



Shift Interlock Circuit

## STARTING/CHARGING

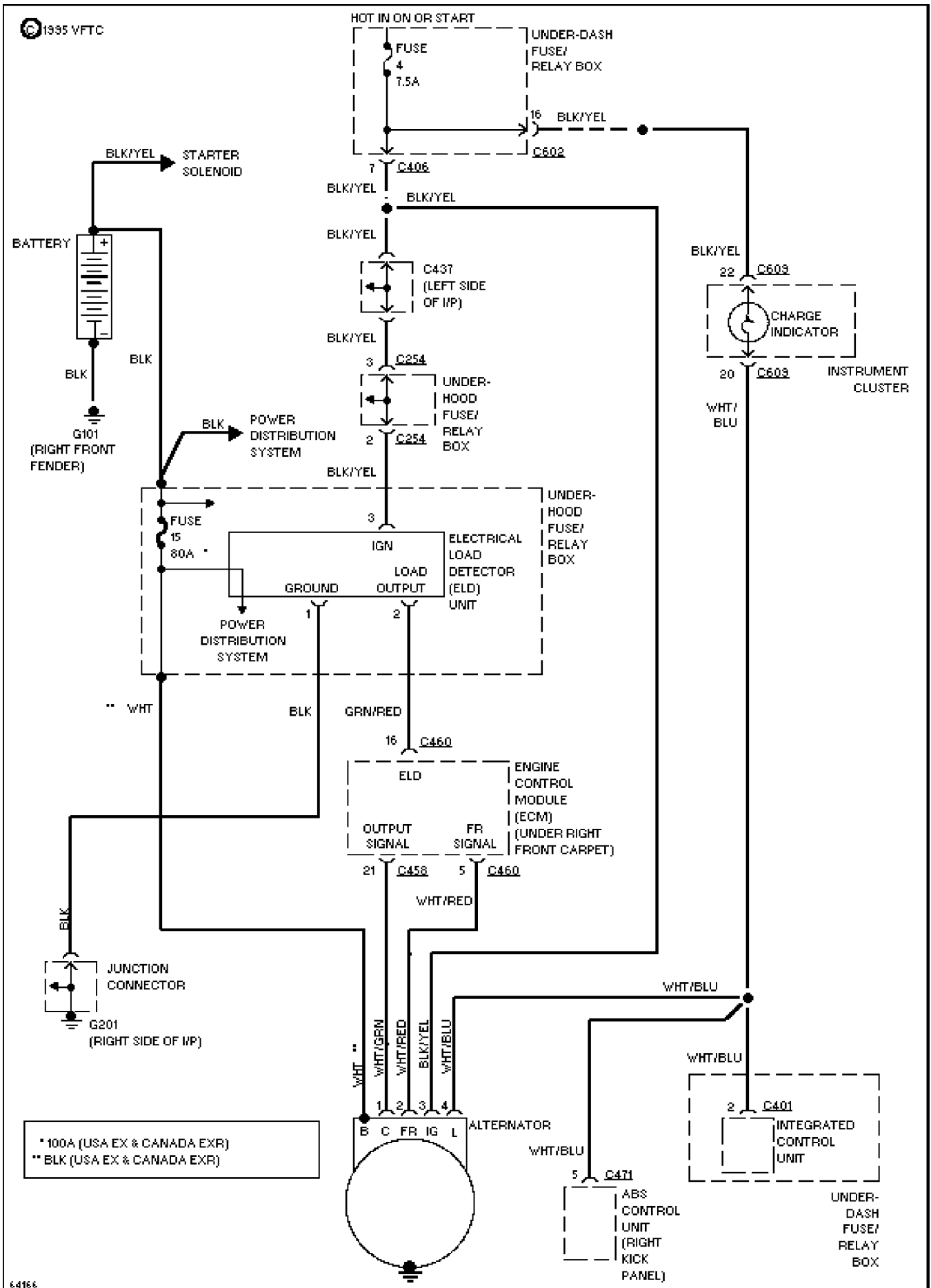
# SYSTEM WIRING DIAGRAMS

Article Text (p. 43)

1994 Honda Accord

For

Copyright © 1998 Mitchell International  
 Wednesday, February 10, 1999 09:14AM



Charging Circuit

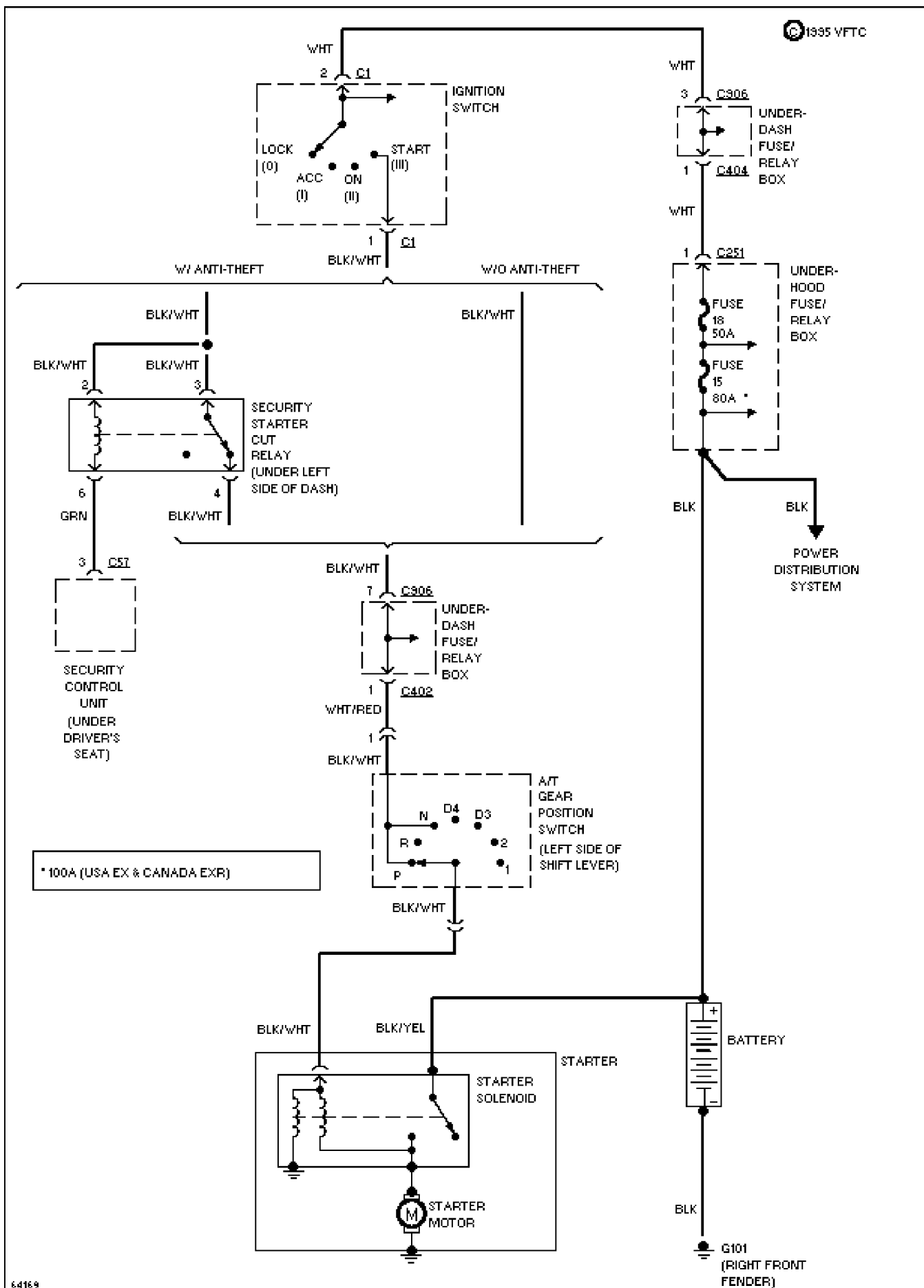
# SYSTEM WIRING DIAGRAMS

Article Text (p. 44)

1994 Honda Accord

For

Copyright © 1998 Mitchell International  
Wednesday, February 10, 1999 09:14AM



Starting Circuit, W/ A/T

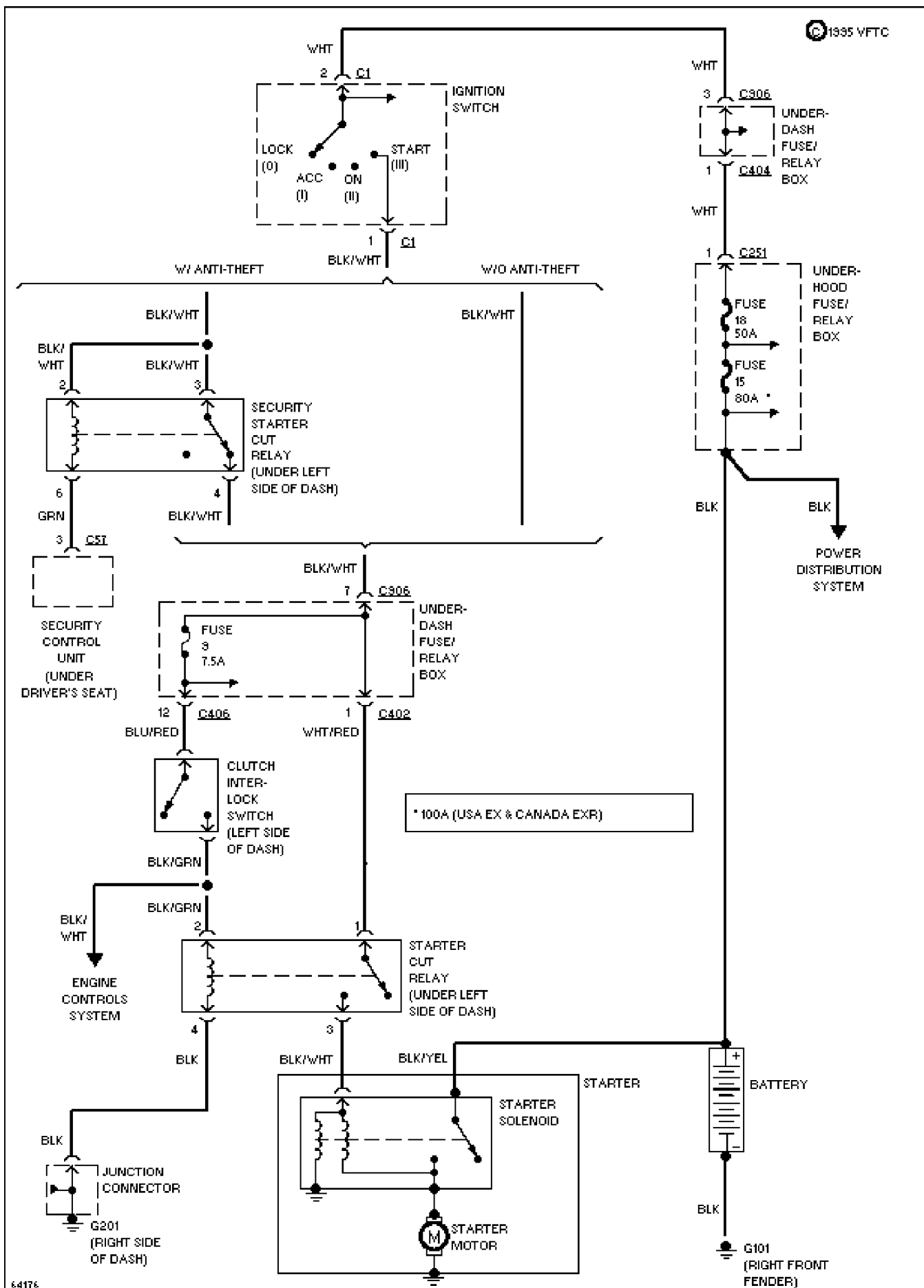
# SYSTEM WIRING DIAGRAMS

Article Text (p. 45)

1994 Honda Accord

For

Copyright © 1998 Mitchell International  
 Wednesday, February 10, 1999 09:14AM



Starting Circuit, W/ M/T

## SUPPLEMENTAL RESTRAINTS



# SYSTEM WIRING DIAGRAMS

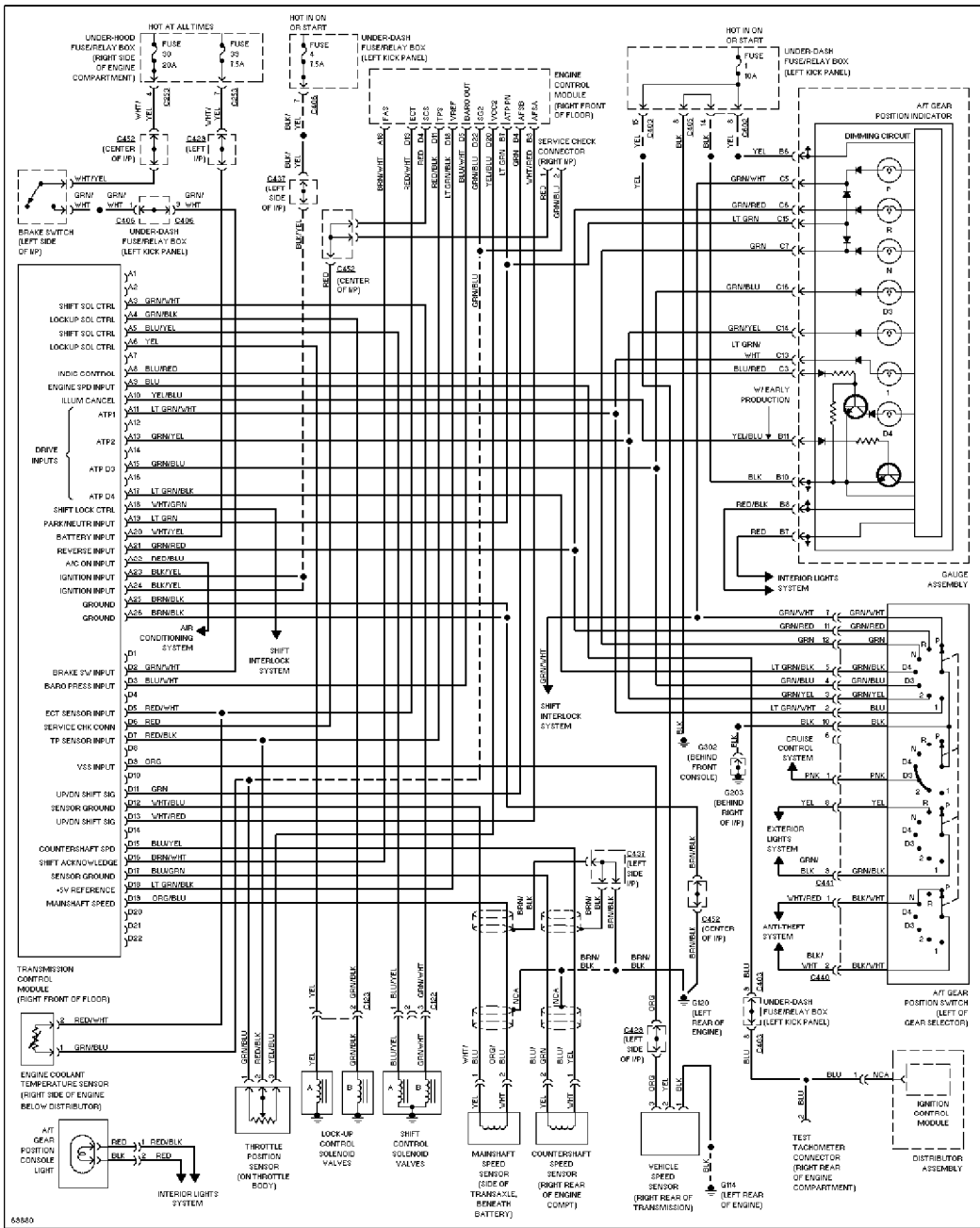
Article Text (p. 47)

1994 Honda Accord

For

Copyright © 1998 Mitchell International

Wednesday, February 10, 1999 09:14AM



Transmission Circuit

## WARNING SYSTEMS

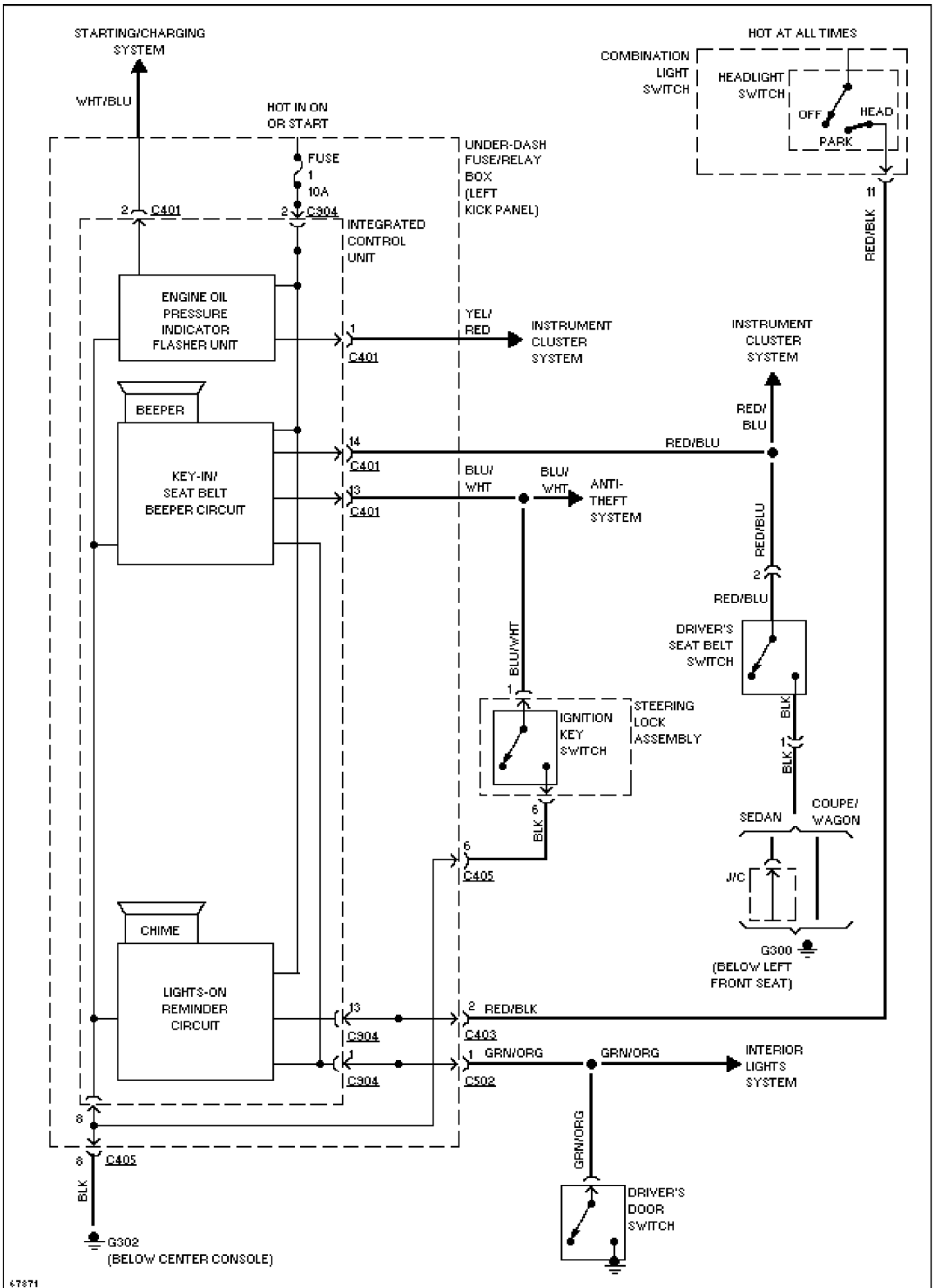
# SYSTEM WIRING DIAGRAMS

Article Text (p. 48)

1994 Honda Accord

For

Copyright © 1998 Mitchell International  
 Wednesday, February 10, 1999 09:14AM



67871

Warning System Circuits

WIPER/WASHER



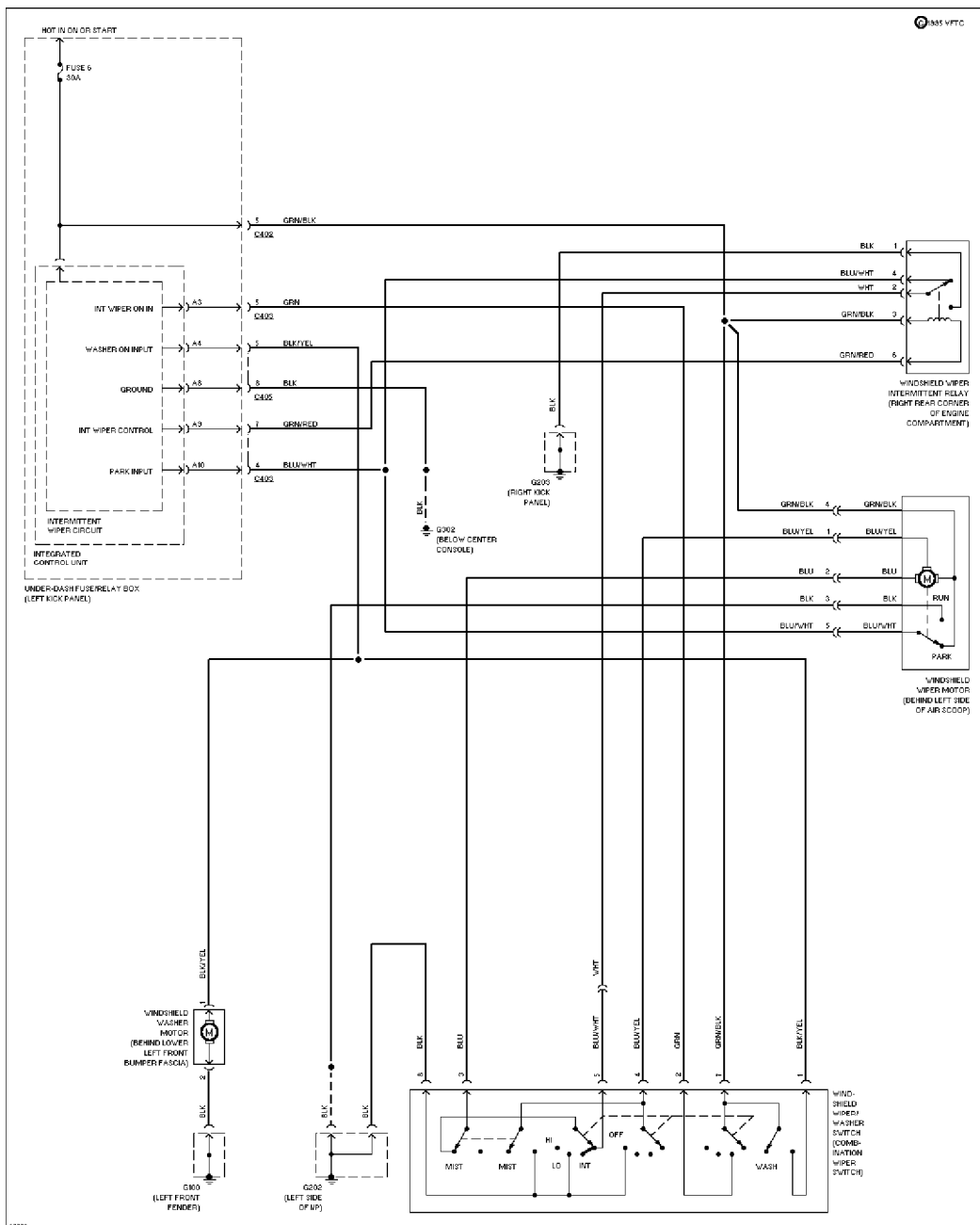
# SYSTEM WIRING DIAGRAMS

Article Text (p. 49)

1994 Honda Accord

For

Copyright © 1998 Mitchell International  
Wednesday, February 10, 1999 09:14AM



Front Wiper/Washer Circuit

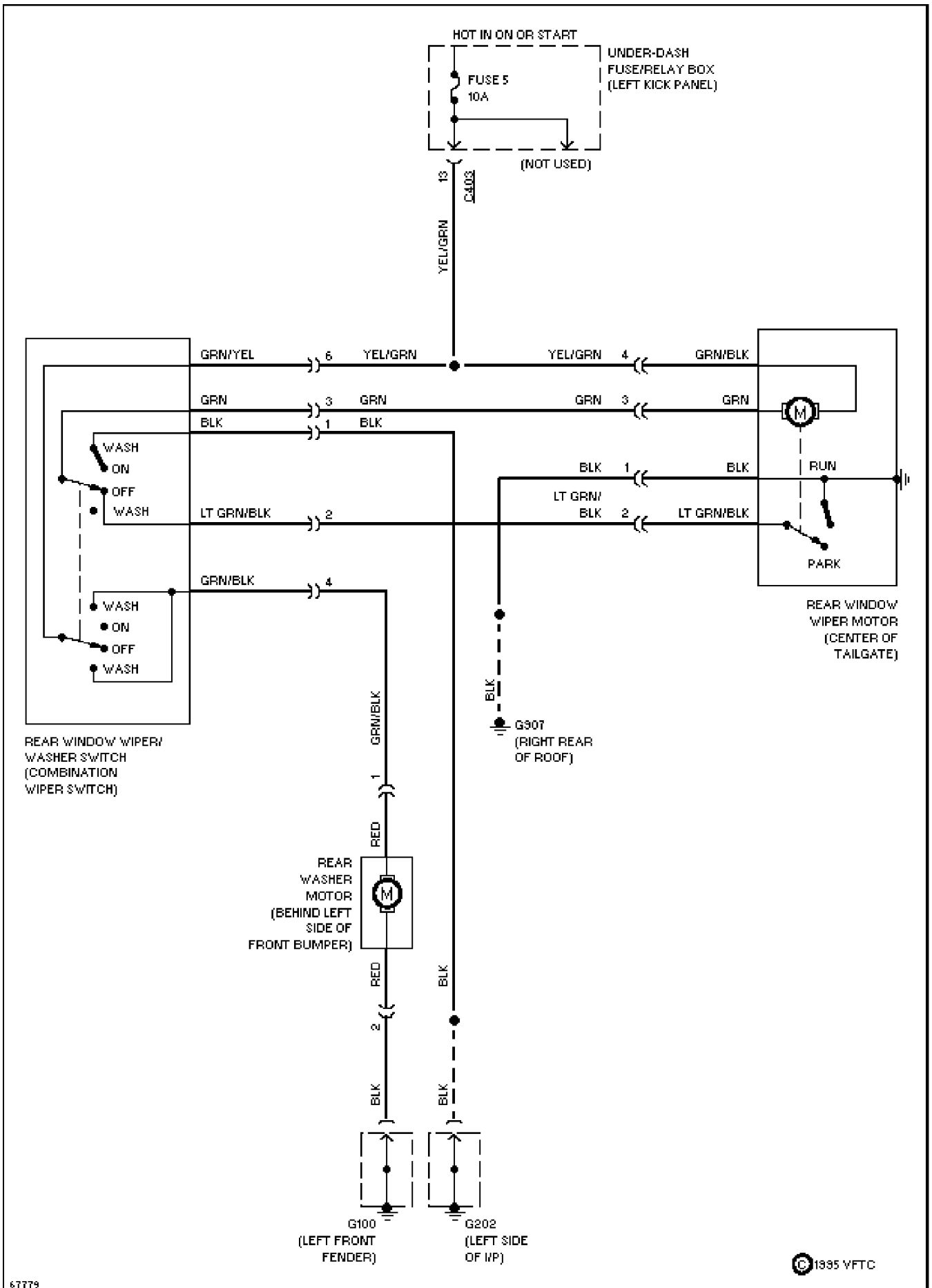
# SYSTEM WIRING DIAGRAMS

Article Text (p. 50)

1994 Honda Accord

For

Copyright © 1998 Mitchell International  
Wednesday, February 10, 1999 09:14AM



67779  
Rear Wiper/Washer Circuit

END OF ARTICLE